

# SILVERCREST®

---

GB IE NI CY

## MEAT MINCING ATTACHMENT

Operating instructions

GR CY

## ΠΡΟΣΑΡΜΟΓΕΑΣ ΚΡΕΑΤΟΜΗΧΑΝΗΣ

Οδηγίες χρήσης

**FOR FOOD PROCESSOR**

**ΚΟΥΖΙΝΟΜΗΧΑΝΗ SKV 1200 A1**

IAN 281064 - C

GB IE NI CY



GB IE NI CY

Before reading, unfold the page containing the illustrations and familiarise yourself with all functions of the device.

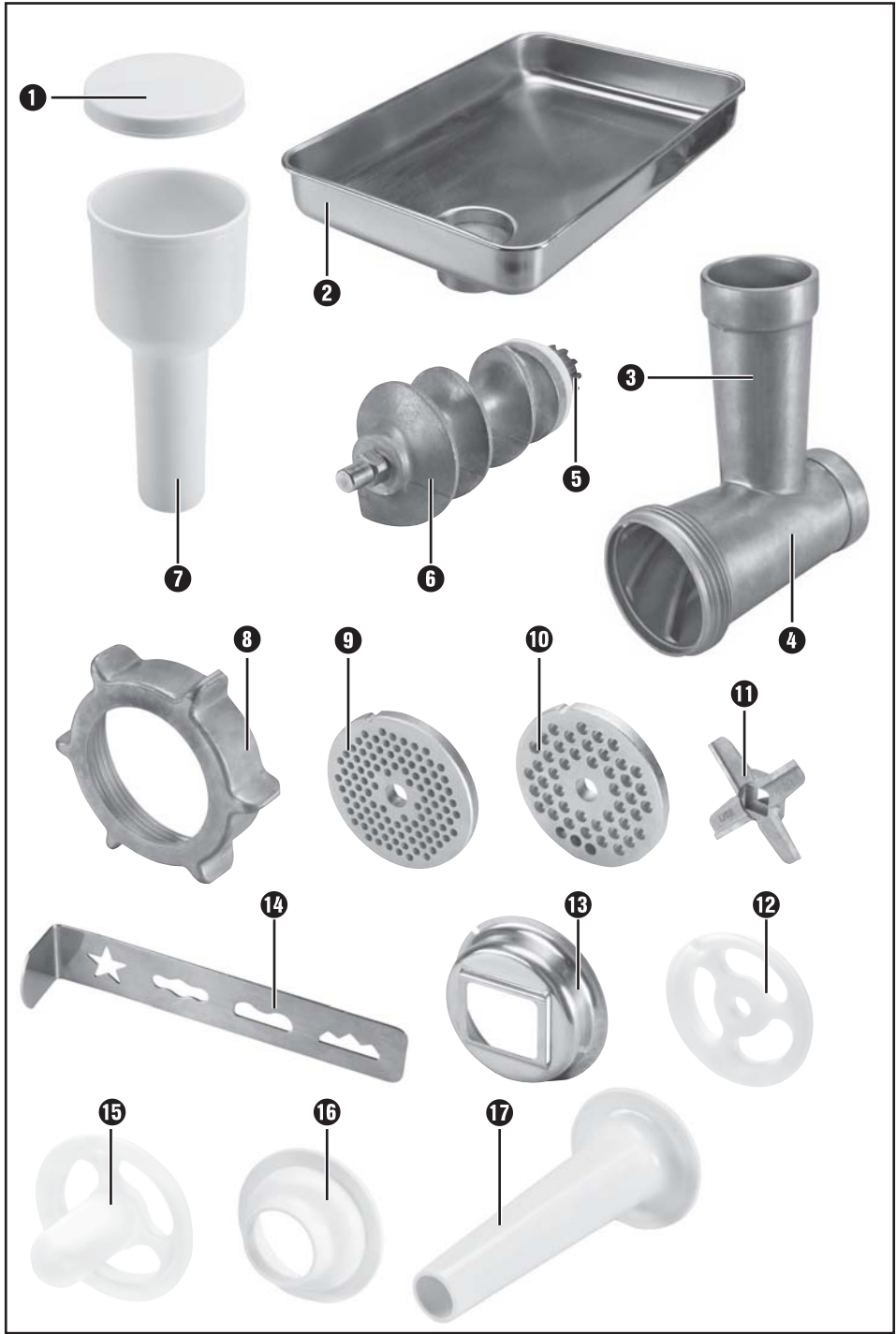
---

GR CY

Πριν ξεκινήσετε την ανάγνωση, ανοίξτε τις δυο σελίδες με τις εικόνες και εξοικειωθείτε με όλες τις λειτουργίες της συσκευής.

|             |                        |        |    |
|-------------|------------------------|--------|----|
| GB/IE/NI/CY | Operating instructions | Page   | 1  |
| GR/CY       | Οδηγίες χρήσης         | Σελίδα | 17 |

---



# Contents

|   |           |
|---|-----------|
| <b>Introduction</b> .....                                       | <b>2</b>  |
| <b>Intended use</b> .....                                       | <b>2</b>  |
| <b>Package contents</b> .....                                   | <b>2</b>  |
| <b>Safety information</b> .....                                 | <b>3</b>  |
| <b>Preparations</b> .....                                       | <b>4</b>  |
| <b>Component description "Meat grinder"</b> .....               | <b>5</b>  |
| <b>Component description "Sausage stuffer attachment"</b> ..... | <b>6</b>  |
| <b>Component description "Kibbeh attachment"</b> .....          | <b>7</b>  |
| <b>Component description "Spritz cookie attachment"</b> .....   | <b>8</b>  |
| <b>Assembly</b> .....   | <b>9</b>  |
| Assembling the meat grinder .....                               | 9         |
| Assembling the sausage stuffer attachment .....                 | 9         |
| Assembling the kibbeh attachment .....                          | 9         |
| Assembling the spritz cookie attachment .....                   | 9         |
| Fitting onto the food processor .....                           | 10        |
| <b>Processing food</b> .....                                    | <b>11</b> |
| Grinding meat .....   | 11        |
| Stuffing sausages .....   | 11        |
| Forming kibbeh rolls .....                                      | 12        |
| Making spritz cookies .....                                     | 12        |
| <b>Dismantling</b> .....  | <b>13</b> |
| <b>Cleaning and care</b> .....                                  | <b>13</b> |
| <b>Storage</b> .....  | <b>13</b> |
| <b>Disposal</b> .....   | <b>13</b> |
| <b>Kompernass Handels GmbH warranty</b> .....                   | <b>14</b> |
| Service .....   | 15        |
| Importer .....  | 15        |

## Introduction

Congratulations on the purchase of your new appliance.

You have selected a high-quality product. The operating instructions are part of this product. They contain important information about safety, use and disposal. Before using the product, please familiarise yourself with all operating and safety instructions. Use the product only as described and for the range of applications specified. Please also pass these operating instructions on to any future owner.

## Intended use

The meat grinder attachment is intended exclusively for processing foods in the usual household quantities in private households:

- grinding fresh meat,
- forming hollow rolls,
- making sausages in natural or artificial skin,
- making spritz cookies.

The meat grinder attachment is not intended for processing frozen foods or other hard foods, e.g. bones or nuts, and not in commercial or industrial applications.

The meat grinder attachment may only be used in conjunction with the SKV 1200 A1 food processor.



All parts of this appliance which come into contact with food are food-safe.

## Package contents

- Pusher lid 1
- Filler bowl 2
- Housing 4 with feed tube 3
- Transport screw 6 with locking connection 5
- Pusher 7
- Locking ring 8
- Perforated disc, fine 9
- Perforated disc, coarse 10
- Mincing knives 11
- Spacer 12
- Pattern strip holder 13
- Pattern strip 14
- Kibbeh funnel 15
- Kibbeh disc 16
- Sausage stuffer spout 17

## Operating instructions

### NOTE

- ▶ The components of the kibbeh and sausage stuffer attachment may be in the pusher 7 on delivery.
- ▶ Check contents for completeness and damage immediately after unpacking. Contact Customer Services if necessary.

## Safety information

### **⚠ DANGER**

- ▶ Please pay close attention to the operating instructions and, in particular, the safety instructions for the SKV 1200 A1 food processor!

### **⚠ WARNING! RISK OF INJURY!**

- ▶ Never put your hand into the openings on the appliance. Never insert objects of any kind into the openings – except for the appropriate pusher for the attachment and the foodstuffs to be processed. If you do, there will be a serious risk of accidents!
- ▶ First, disconnect the plug from the mains power socket before fitting or removing attachments.
- ▶ Do not leave the appliance unsupervised when it is ready for use. To prevent the appliance from being switched on accidentally, always unplug it after use or during breaks.
- ▶ Use only the original accessory parts for this appliance. Other accessories may not meet the safety requirements.
- ▶ Do not operate the appliance empty. This could irreparably damage the appliance.
- ▶ Before changing accessories or additional parts that are in motion during operation, the appliance must be switched off and disconnected from mains power.
- ▶ Never use the appliance for purposes other than those described in these instructions.
- ▶ Warning – the cross blade is very sharp! Always proceed with caution when handling and cleaning the appliance.
- ▶ The appliance should always be disconnected from the mains when unattended and before assembly, disassembly or cleaning.
- ▶ This appliance may not be used by children.

## **⚠ WARNING! RISK OF INJURY!**

- ▶ The appliance and its connecting cable must be kept away from children.
- ▶ This appliance may be used by persons with limited physical, sensory or mental capabilities or lack of experience and knowledge, provided that they are under supervision or have been told how to use the appliance safely and are aware of the potential risks.
- ▶ Do not allow children to use the appliance as a plaything.

## **ATTENTION! PROPERTY DAMAGE!**

- ▶ Do not operate the appliance without ingredients. Risk of overheating!

## **Preparations**

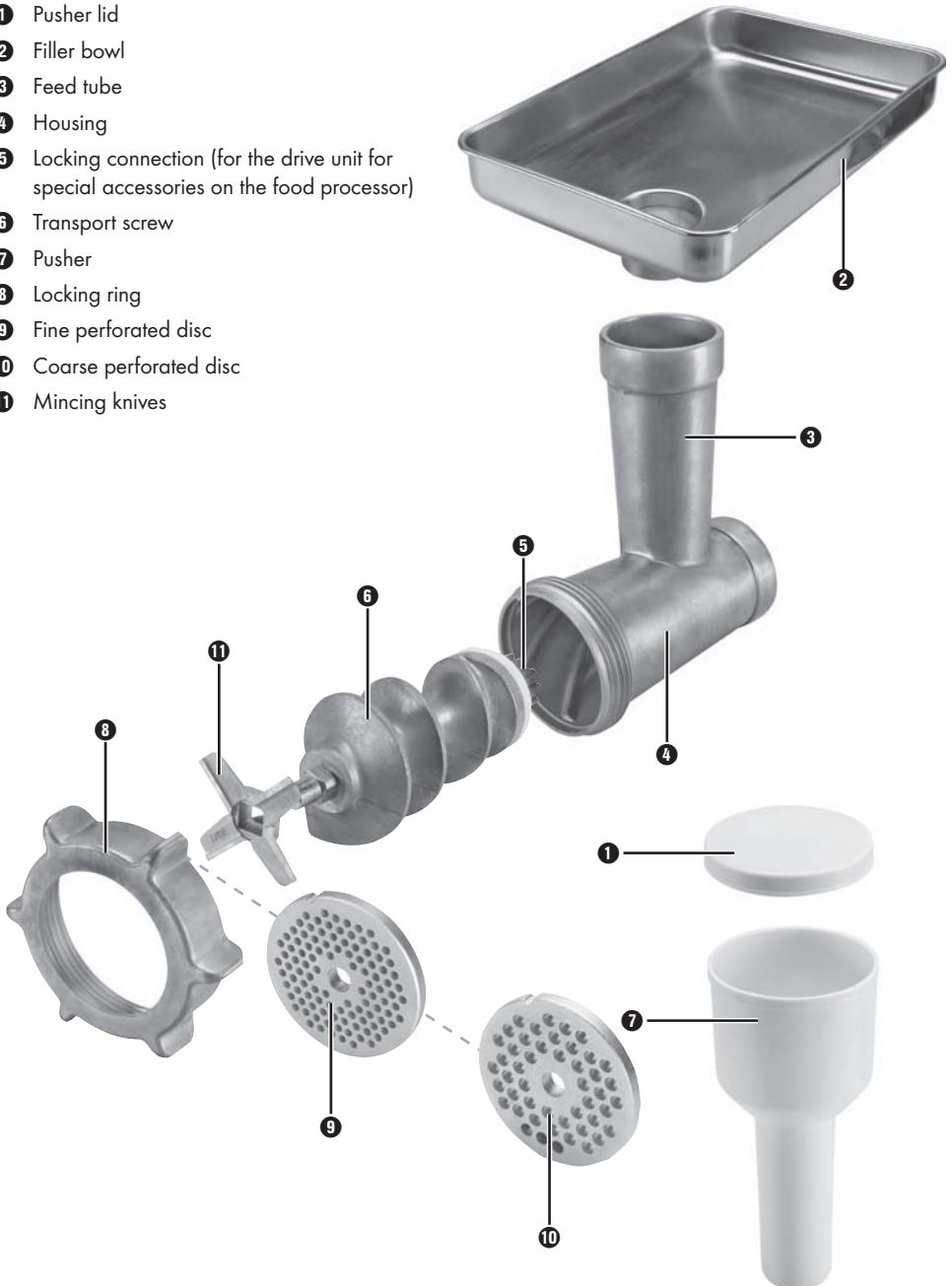
- 1) Take all the parts out of the box and remove the packaging material and any protective wrapping or stickers.

### **CAUTION – PROPERTY DAMAGE!**

- ▶ All of the metal components are coated with a thin film of oil to protect them from corrosion. Therefore, clean all parts carefully before first use as described in detail in the section "Cleaning and Care". Rub all the metal parts afterwards with a little cooking oil.

**Component description "Meat grinder"**

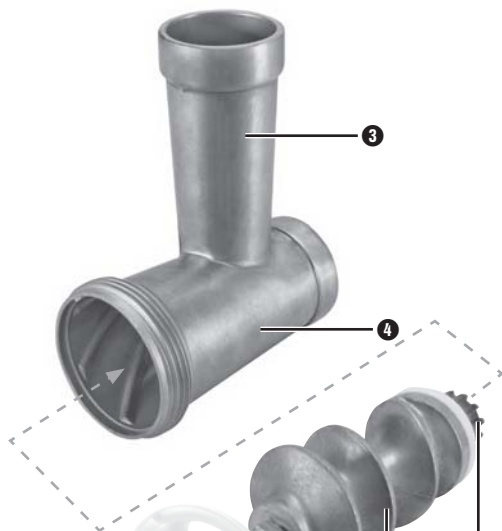
- ❶ Pusher lid
- ❷ Filler bowl
- ❸ Feed tube
- ❹ Housing
- ❺ Locking connection (for the drive unit for special accessories on the food processor)
- ❻ Transport screw
- ❼ Pusher
- ❽ Locking ring
- ❾ Fine perforated disc
- ❿ Coarse perforated disc
- ⓫ Mincing knives





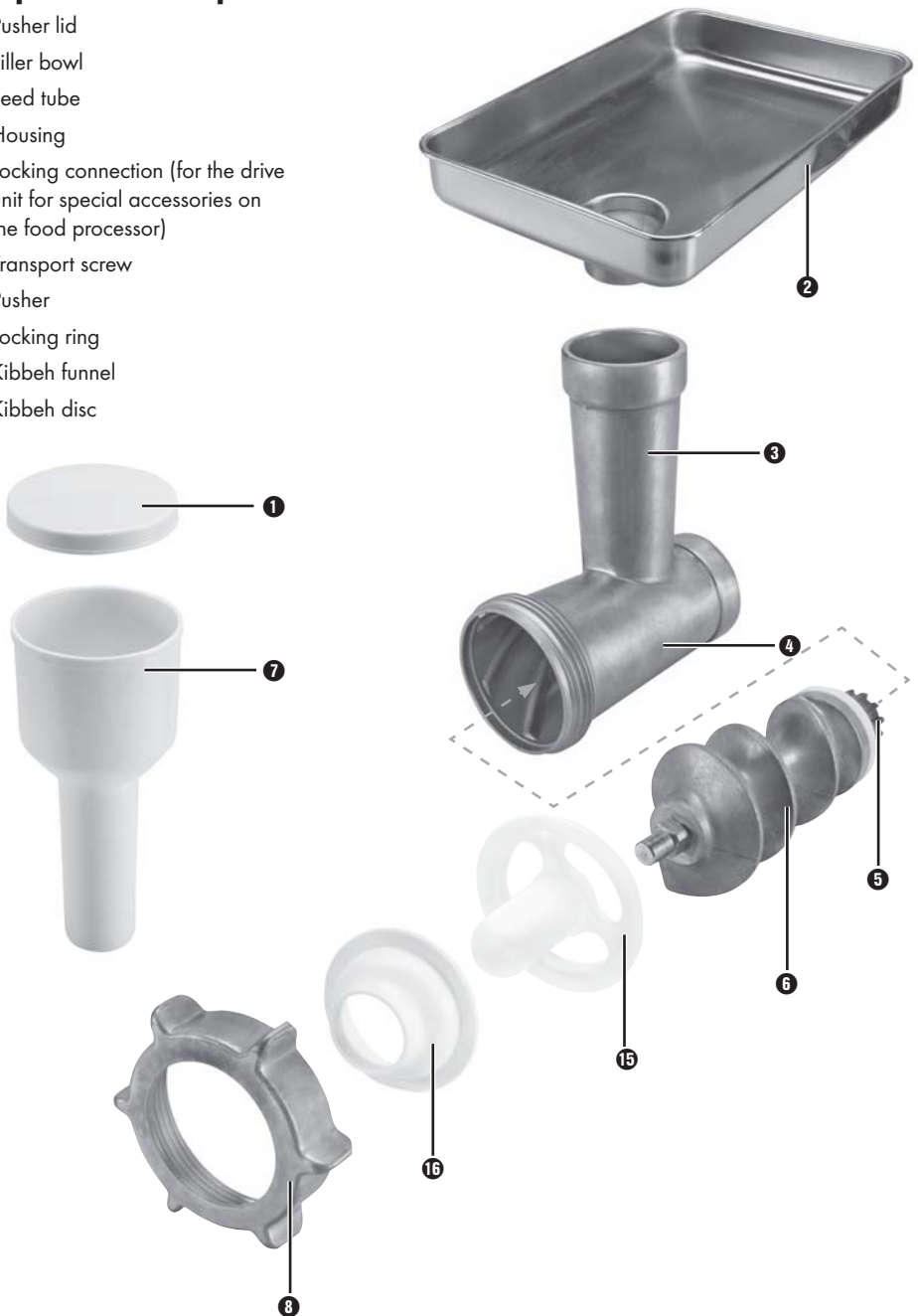
## Component description "Sausage stuffer attachment"

- ❶ Pusher lid
- ❷ Filler bowl
- ❸ Feed tube
- ❹ Housing
- ❺ Locking connection  
(for the drive unit for special accessories on the food processor)
- ❻ Transport screw
- ❼ Pusher
- ❽ Locking ring
- ❿ Spacer
- ⓫ Sausage stuffer spout



## Component description "Kibbeh attachment"

- ❶ Pusher lid
- ❷ Filler bowl
- ❸ Feed tube
- ❹ Housing
- ❺ Locking connection (for the drive unit for special accessories on the food processor)
- ❻ Transport screw
- ❼ Pusher
- ❽ Locking ring
- ❿ Kibbeh funnel
- ⓫ Kibbeh disc



## Component description "Spritz cookie attachment"

- ❶ Pusher lid
- ❷ Filler bowl
- ❸ Feed tube
- ❹ Housing
- ❺ Locking connection (for the drive unit for special accessories on the food processor)
- ❻ Transport screw
- ❼ Pusher
- ❽ Locking ring
- ❿ Spacer
- ⓫ Pattern strip holder
- ⓬ Pattern strip



## Assembly

### Assembling the meat grinder

Refer to the section "Component description, meat grinder".

- 1) Place the transport screw **6** in the housing **4**.
- 2) Then insert the mincing knife **11** so that the side with the knives is facing away from the transport screw **6**. Ensure that the angled recess of the mincing knife **11** lies correctly on the angled axle.
- 3) Select the required perforated disc **9/10**.
- 4) Place the selected perforated disc **9/10** into the housing **4** so that the fixture on the housing **4** grips into the recess on the edge of the perforated disc **9/10**.
- 5) If everything is correctly inserted, screw the locking ring **8** hand tight.

The attachment can now be connected to the food processor (see section "Fitting onto the food processor").

### Assembling the sausage stuffer attachment

Refer to the section "Component description, sausage stuffer attachment".

- 1) Place the transport screw **6** in the housing **4**.
- 2) Then fit the spacer **12**. Ensure that the fixture on the housing **4** clicks into the recess on the edge of the spacer **12**.
- 3) Then fit the sausage stuffer spout **17** in front of the spacer **12**.
- 4) Screw the locking ring **8** hand-tight.

The attachment can now be connected to the food processor (see section "Fitting onto the food processor").

### Assembling the kibbeh attachment

Refer to the section "Component description, kibbeh attachment".

- 1) Place the transport screw **6** in the housing **4**.
- 2) Insert the kibbeh disc **16**. Ensure that the fixture on the housing **4** grips into the recess on the edge of the kibbeh disc **16**.
- 3) Then place the kibbeh funnel **15** in front of the kibbeh disc **16**.
- 4) Screw the locking ring **8** hand-tight.

The attachment can now be connected to the food processor (see section "Fitting onto the food processor").

### Assembling the spritz cookie attachment

Refer to the section "Component description, spritz cookie attachment".

- 1) Place the transport screw **6** in the housing **4**.
- 2) Then fit the spacer **12**. Ensure that the fixture on the housing **4** clicks into the recess on the edge of the spacer **12**.
- 3) Now place the pattern strip holder **13** on the spacer **12**. Ensure that the recess on the edge of the pattern strip holder **13** lies on the latch of the spacer **12**.
- 4) Screw the locking ring **8** hand-tight.
- 5) Push the pattern strip **14** into the pattern strip holder **13** until the desired pattern lies over the opening in the pattern strip holder **13**.

The attachment can now be connected to the food processor (see section "Fitting onto the food processor").

## Fitting onto the food processor

### **⚠ WARNING! RISK OF INJURY!**

- ▶ Ensure that the food processor is unplugged when fitting the meat grinder attachment onto the food processor.
- 1) Remove the cover from the drive unit for special accessories (see section "Working with special accessories" in the food processor operating instructions).
  - 2) Insert the locking connection **5** into the drive unit for special accessories so that the feed tube **3** points diagonally upwards (in the example here, the housing **4** is shown with fitted meat grinder):



- 3) Turn the feed tube **3** so that it points straight upwards and the attachment is firmly attached:



## Processing food

### NOTE

- ▶ Do not let the food processor run for longer than 10 minutes at a time. Otherwise, the appliance may overheat!

## Grinding meat

Once the meat grinder attachment is correctly fitted on the food processor:

- 1) Place a sufficiently large container under the meat grinder attachment so that the processed food can fall in.
- 2) Place the filler bowl **2** on the feed tube **3**.
- 3) If not already done: Close the pusher **7** with the pusher lid **1**.
- 4) Prepare the meat to be processed by cutting it into pieces of approx. 2 cm. Ensure that no bones or sinews get into the meat grinder.
- 5) Insert the food processor plug into a mains power socket.
- 6) Turn the food processor rotary switch to a low setting (1–3).
- 7) Add the food to be processed into the feed tube **3**. Then use the pusher **7** to push the meat into the feed tube **3**.
- 8) Once you have processed all the food, turn the rotary switch of the food processor to position 0 and pull the power plug from of the mains power socket.

## Stuffing sausages

Once the sausage stuffer attachment is correctly fitted on the food processor:

- 1) Place the filler bowl **2** on the feed tube **3**.
- 2) If not already done: Close the pusher **7** with the pusher lid **1**.
- 3) Slip the sausage skin (natural or artificial) over the sausage stuffer spout **17** and tie the other end closed. You will need around 1.60 m of sausage skin for each 1 kg of sausage stuffing.

### TIP

Soak natural skin in lukewarm water for about 3 hours and wring it out before use. This gives the natural skin back its elasticity. You can purchase natural sausage skin from butcher suppliers near abattoirs or from your butcher.

- 4) Insert the food processor plug into a mains power socket.
- 5) Turn the food processor rotary switch to a low setting (1–3).
- 6) Add the sausage stuffing into the feed tube **3**. Then use the pusher **7** to push the sausage stuffing further into the feed tube **3**.
- 7) The sausage stuffing is pressed into the sausage skin through the sausage stuffer spout **17**. Once the sausage has reached the required length, switch off the food processor, pinch the end of the sausage and twist it a few times around its longitudinal axis.

### TIP

Sausage expands during cooking and freezing. Therefore, do not overfill the sausages otherwise they could burst.

- 8) Once you have processed all the food, turn the rotary switch of the food processor to position 0 and pull the power plug from of the mains power socket.

## Forming kibbeh rolls

You can use the kibbeh attachment to make ground food into hollow rolls of meat or vegetables, which you can then stuff with a filling of your choice.

### NOTE

- ▶ Feed the meat through the meat grinder twice before pressing it through the kibbeh attachment.
- 1) Place the filler bowl **2** on the feed tube **3**.
  - 2) If not already done: Close the pusher **7** with the pusher lid **1**.
  - 3) Insert the food processor plug into a mains power socket.
  - 4) Turn the food processor rotary switch to a low setting (1–3).
  - 5) Feed the mixture that you are using to form the kibbeh rolls into the feed tube **3**. Then use the pusher **7** to push the mixture further into the feed tube **3**.
  - 6) Once you have processed all the food, turn the rotary switch of the food processor to position 0 and pull the power plug from of the mains power socket.

## Making spritz cookies

Once you have prepared a spritz cookie dough according to your recipe and fitted the shortbread attachment to the food processor:

- 1) Line a baking tray with baking paper and place it under the opening at the front of the attachment.
- 2) Place the filler bowl **2** on the feed tube **3**.
- 3) If not already done: Close the pusher **7** with the pusher lid **1**.
- 4) Insert the food processor plug into a mains power socket.
- 5) Turn the food processor rotary switch to a low setting (1–3).
- 6) Press the dough evenly into the feed tube **3** – the transport screw **6** then pushes it through the selected pattern on the pattern strip **14**.
- 7) Once the biscuit has reached the required length, stop the appliance and break off the dough at the opening. Place the biscuit on the baking tray.
- 8) Switch the appliance back on and repeat the process with the remaining dough.
- 9) Once you have processed all the dough, turn the food processor rotary switch into position 0 and pull the power plug from the mains power socket.

## Dismantling

### ⚠ WARNING! RISK OF INJURY!

- ▶ Always disconnect the appliance from the power supply before dismantling the attachment.

- 1) Remove the filler bowl ②.
- 2) Push the small button next to the feed tube ③ on the food processor and, at the same time, turn the attachment to the side and pull it off the food processor.

## Cleaning and care

### ⚠ WARNING! RISK OF INJURY!

- ▶ Be careful when cleaning the mincing knife ⑪! It has sharp edges.

### ATTENTION! PROPERTY DAMAGE!

- ▶ Do not use aggressive, abrasive or chemical cleaning agents. These may damage the surfaces.
- ▶ Do not clean the components of this attachment in a dishwasher! This can cause damage to the attachment components.

- 1) Clean all parts in warm water with a little mild detergent.
- 2) Rinse all the parts off using clean water to remove any remaining detergent residues.
- 3) Dry everything properly.

### NOTE

- ▶ After cleaning, rub a little cooking oil into the metal parts. Otherwise, the metal parts could become discoloured.

## Storage

Store all parts of the meat grinder attachment in a clean, dry location.

You can also keep the perforated discs ⑨/⑩ in the pusher ⑦ for storage.

## Disposal

Dispose of the attachment in an environmentally friendly manner.



The packaging is made from environmentally friendly material and can be disposed of at your local recycling plant.



## Kompernass Handels GmbH warranty

Dear Customer,

This appliance has a 3-year warranty valid from the date of purchase. If this product has any faults, you, the buyer, have certain statutory rights. Your statutory rights are not restricted in any way by the warranty described below.

### Warranty conditions

The validity period of the warranty starts from the date of purchase. Please keep your original receipt in a safe place. This document will be required as proof of purchase.

If any material or production fault occurs within three years of the date of purchase of the product, we will either repair or replace the product for you at our discretion. This warranty service is dependent on you presenting the defective appliance and the proof of purchase (receipt) and a short written description of the fault and its time of occurrence.

If the defect is covered by the warranty, your product will either be repaired or replaced by us. The repair or replacement of a product does not signify the beginning of a new warranty period.

### Warranty period and statutory claims for defects

The warranty period is not prolonged by repairs effected under the warranty. This also applies to replaced and repaired components. Any damage and defects present at the time of purchase must be reported immediately after unpacking. Repairs carried out after expiry of the warranty period shall be subject to a fee.

### Scope of the warranty

This appliance has been manufactured in accordance with strict quality guidelines and inspected meticulously prior to delivery.

The warranty covers material faults or production faults. The warranty does not extend to product parts subject to normal wear and tear or fragile parts such as switches, batteries, baking moulds or parts made of glass.

The warranty does not apply if the product has been damaged, improperly used or improperly maintained. The directions in the operating instructions for the product regarding proper use of the product are to be strictly followed. Uses and actions that are discouraged in the operating instructions or which are warned against must be avoided.

This product is intended solely for private use and not for commercial purposes. The warranty shall be deemed void in cases of misuse or improper handling, use of force and modifications/repairs which have not been carried out by one of our authorised Service centres.

## Warranty claim procedure

To ensure quick processing of your case, please observe the following instructions:

- Please have the till receipt and the item number (e.g. IAN 12345) available as proof of purchase.
- You will find the item number on the type plate, an engraving on the front page of the instructions (bottom left), or as a sticker on the rear or bottom of the appliance.
- If functional or other defects occur, please contact the service department listed either by **telephone** or by **e-mail**.
- You can return a defective product to us free of charge to the service address that will be provided to you. Ensure that you enclose the proof of purchase (till receipt) and information about what the defect is and when it occurred.



You can download these instructions along with many other manuals, product videos and software on [www.lidl-service.com](http://www.lidl-service.com).

## Service

### GB Service Great Britain

Tel.: 0871 5000 720 (£ 0.10/Min.)

E-Mail: [kompernass@lidl.co.uk](mailto:kompernass@lidl.co.uk)

### IE Service Ireland

Tel.: 1890 930 034

(0,08 EUR/Min., (peak))

(0,06 EUR/Min., (off peak))

E-Mail: [kompernass@lidl.ie](mailto:kompernass@lidl.ie)

### CY Service Cyprus

Tel.: 8009 4409

E-Mail: [kompernass@lidl.com.cy](mailto:kompernass@lidl.com.cy)

IAN 281064 - C

## Importer

Please note that the following address is not the service address. Please use the service address provided in the operating instructions.

KOMPERNASS HANDELS GMBH

BURGSTRASSE 21

DE-44867 BOCHUM

GERMANY

[www.kompernass.com](http://www.kompernass.com)



## Περιεχόμενα

|   |           |
|---|-----------|
| <b>Εισαγωγή</b> .....   | <b>18</b> |
| <b>Προβλεπόμενη χρήση</b> .....   | <b>18</b> |
| <b>Παραδοτέος εξοπλισμός</b> .....  | <b>18</b> |
| <b>Υποδειξεις ασφαλείας</b> .....   | <b>19</b> |
| <b>Προετοιμασίες</b> .....  | <b>20</b> |
| <b>Περιγραφή εξαρτημάτων για την «Κρεατομηχανή»</b> .....                 | <b>21</b> |
| <b>Περιγραφή εξαρτημάτων για το «Εξάρτημα ώθησης για λουκάνικα»</b> ..... | <b>22</b> |
| <b>Περιγραφή εξαρτημάτων για το «Εξάρτημα για κέμπε»</b> .....            | <b>23</b> |
| <b>Περιγραφή εξαρτημάτων για το «Εξάρτημα για κουλουράκια»</b> .....      | <b>24</b> |
| <b>Συναρμολόγηση</b> .....  | <b>25</b> |
| Συναρμολόγηση κρεατομηχανής .....   | 25        |
| Συναρμολόγηση εξαρτήματος ώθησης για λουκάνικα .....                      | 25        |
| Συναρμολόγηση εξαρτήματος για κέμπε .....                                 | 25        |
| Συναρμολόγηση εξαρτήματος για κουλουράκια .....                           | 25        |
| Συναρμολόγηση στην κουζίνομηχανή .....                                    | 26        |
| <b>Επεξεργασία τροφίμων</b> .....   | <b>27</b> |
| Δημιουργία κιμά από κρέας .....   | 27        |
| Ώθηση λουκάνικων .....  | 27        |
| Δημιουργία ρολών κέμπε .....  | 28        |
| Παρασκευή κουλουριών .....  | 28        |
| <b>Αποσυναρμολόγηση</b> .....   | <b>29</b> |
| <b>Καθαρισμός και φροντίδα</b> .....                                      | <b>29</b> |
| <b>Αποθήκευση</b> .....   | <b>29</b> |
| <b>Απόρριψη</b> .....   | <b>29</b> |
| <b>Εγγύηση της Kompagnass Handels GmbH</b> .....                          | <b>30</b> |
| Σέρβις .....  | 31        |
| Εισαγωγέας .....  | 31        |

## Εισαγωγή

Συγχαρητήρια για την αγορά της νέας σας συσκευής.

Αποφασίσατε έτσι για την απόκτηση ενός προϊόντος υψηλής ποιότητας. Οι οδηγίες χρήσης είναι τμήμα αυτού του προϊόντος. Περιέχουν σημαντικές υποδείξεις για την ασφάλεια, τη χρήση και την απόρριψη. Πριν από τη χρήση του προϊόντος, εξοικειωθείτε με όλες τις υποδείξεις χειρισμού και ασφάλειας του προϊόντος. Χρησιμοποιείτε το προϊόν μόνο όπως περιγράφεται και για τους αναφερόμενους τομείς χρήσης. Παραδώστε όλα τα έγγραφα σε περίπτωση παράδοσης του προϊόντος σε τρίτους.

## Προβλεπόμενη χρήση

Ο προσαρμογέας κρεατομηχανής προβλέπεται αποκλειστικά για την επεξεργασία τροφίμων σε συνήθεις ποσότητες νοικοκυριού, για ιδιωτική χρήση:

- Για να παρασκευάσετε κιμά από φρέσκο κρέας,
- Για να παρασκευάσετε κοίλα ρολά,
- Για να παρασκευάσετε λουκάνικα σε φυσικά ή τεχνητά εντόσθια,
- Για να φτιάξετε κουλουράκια

Ο προσαρμογέας κρεατομηχανής δεν προβλέπεται για την επεξεργασία κατεψυγμένων ή άλλων σκληρών τροφίμων, π.χ. κόκαλα ή ξηροί καρποί, και ούτε σε εμπορικούς ή βιομηχανικούς τομείς.

Ο προσαρμογέας κρεατομηχανής επιτρέπεται να χρησιμοποιείται μόνο σε συνδυασμό με την κουζίνομηχανή SKV 1200 A1.



Όλα τα εξαρτήματα αυτής της συσκευής που έρχονται σε επαφή με τρόφιμα μπορούν να χρησιμοποιούνται με ασφάλεια στα τρόφιμα.

## Παραδοτέος εξοπλισμός

- Καπάκι εξαρτήματος ώθησης 1
- Δοχείο πλήρωσης 2
- Περιβλήμα 4 με χωνί πλήρωσης 3
- Κοχλίας μεταφοράς 6 με σύνδεση ασφάλισης 5
- Εξάρτημα ώθησης 7
- Δακτύλιος ασφάλισης 8
- Διάτρητος δίσκος μικρών σπών 9
- Διάτρητος δίσκος μεγάλων σπών 10
- Σταυρωτή λεπίδα 11
- Τεμάχιο απόστασης 12
- Βάση λωριδών σχεδίων 13
- Λωρίδα σχεδίων 14
- Χοάνη κέμπε 15
- Δίσκος κέμπε 16
- Ρύγχος ώθησης για λουκάνικα 17

Οδηγίες χρήσης

### ΥΠΟΔΕΙΞΗ

- Τα εξαρτήματα του προσαρτήματος για κέμπε και λουκάνικα ενδεχομένως να βρίσκονται στο εξάρτημα ώθησης 7 κατά την αποστολή.
- Ελέγξτε τον παραδοτέο εξοπλισμό ως προς την πληρότητα και για ζημιές, απευθείας μετά την αποσυσκευασία. Απευθυνθείτε, εάν απαιτείται, στο τμήμα σέρβις.

## Υποδείξεις ασφαλείας

### **⚠ ΚΙΝΔΥΝΟΣ**

- ▶ Προσέχετε απαραίτητα τις οδηγίες χρήσης και ιδιαίτερα τις υποδείξεις ασφαλείας της κουζίνομηχανής SKV 1200 A1!

### **⚠ ΠΡΟΕΙΔΟΠΟΙΗΣΗ! ΚΙΝΔΥΝΟΣ ΤΡΑΥΜΑΤΙΣΜΟΥ!**

- ▶ Μην πιάνετε ποτέ τα ανοίγματα της συσκευής. Μην εισάγετε ποτέ σε αυτά οποιαδήποτε αντικείμενα, εκτός του εξαρτήματος ώθησης του εκάστοτε προσαρτήματος και των προς επεξεργασία τροφίμων. Σε αντίθετη περίπτωση, μπορεί να υπάρξει μεγάλος κίνδυνος ατυχήματος!
- ▶ Τραβήξτε πρώτα το βύσμα από την πρίζα, προτού τοποθετήσετε ή αφαιρέσετε αξεσουάρ.
- ▶ Ποτέ μην αφήνετε τη συσκευή χωρίς επίτηρηση, όταν είναι έτοιμη προς λειτουργία. Μετά τη χρήση ή σε διακοπές κατά την εργασία, βγάζετε πάντα το βύσμα από την πρίζα, για να αποφεύγετε μη ηθελημένη εκκίνηση.
- ▶ Χρησιμοποιείτε μόνο τα γνήσια αξεσουάρ για αυτή τη συσκευή. Άλλα εξαρτήματα πιθανώς να μην είναι επαρκώς ασφαλή.
- ▶ Ποτέ μη χειρίζεστε τη συσκευή όταν είναι άδεια. Μπορεί έτσι να προκληθούν ανεπανόρθωτες ζημιές στη συσκευή.
- ▶ Πριν από την αντικατάσταση κινούμενων αξεσουάρ ή πρόσθετων εξαρτημάτων, η συσκευή πρέπει να απενεργοποιηθεί και να αποσυνδεθεί από το δίκτυο.
- ▶ Μη χρησιμοποιείτε τη συσκευή για άλλους σκοπούς από τους περιγραφόμενους στις παρούσες οδηγίες.
- ▶ Προσοχή: η σταυρωτή λεπίδα είναι πολύ κοφτερή! Να είστε πάντα προσεκτικοί κατά τη χρήση και τον καθαρισμό της συσκευής.
- ▶ Η συσκευή πρέπει να αποσυνδέεται πάντα από το δίκτυο όταν δεν επιτηρείται και πριν από τη συναρμολόγηση, την αποσυναρμολόγηση ή τον καθαρισμό.
- ▶ Η συσκευή δεν επιτρέπεται να χρησιμοποιείται από παιδιά.

## **⚠ ΠΡΟΕΙΔΟΠΟΙΗΣΗ! ΚΙΝΔΥΝΟΣ ΤΡΑΥΜΑΤΙΣΜΟΥ!**

- ▶ Η συσκευή και το καλώδιο σύνδεσής της πρέπει να φυλάσσονται μακριά από τα παιδιά.
- ▶ Επιτρέπεται χρήση αυτής της συσκευής από άτομα με μειωμένες φυσικές, αισθητηριακές ή νοητικές ικανότητες ή με έλλειψη εμπειρίας και/ή γνώσεων, εφόσον επιτηρούνται ή έχουν εκπαιδευτεί αναφορικά με την ασφαλή χρήση της συσκευής και έχουν κατανοήσει τους επακόλουθους κινδύνους.
- ▶ Τα παιδιά δεν επιτρέπεται να παίζουν με τη συσκευή.

## **ΠΡΟΣΟΧΗ! ΥΛΙΚΕΣ ΖΗΜΙΕΣ!**

- ▶ Ποτέ μη λειτουργείτε τη συσκευή χωρίς υλικά! Κίνδυνος υπερθέρμανσης!

## **Προετοιμασίες**

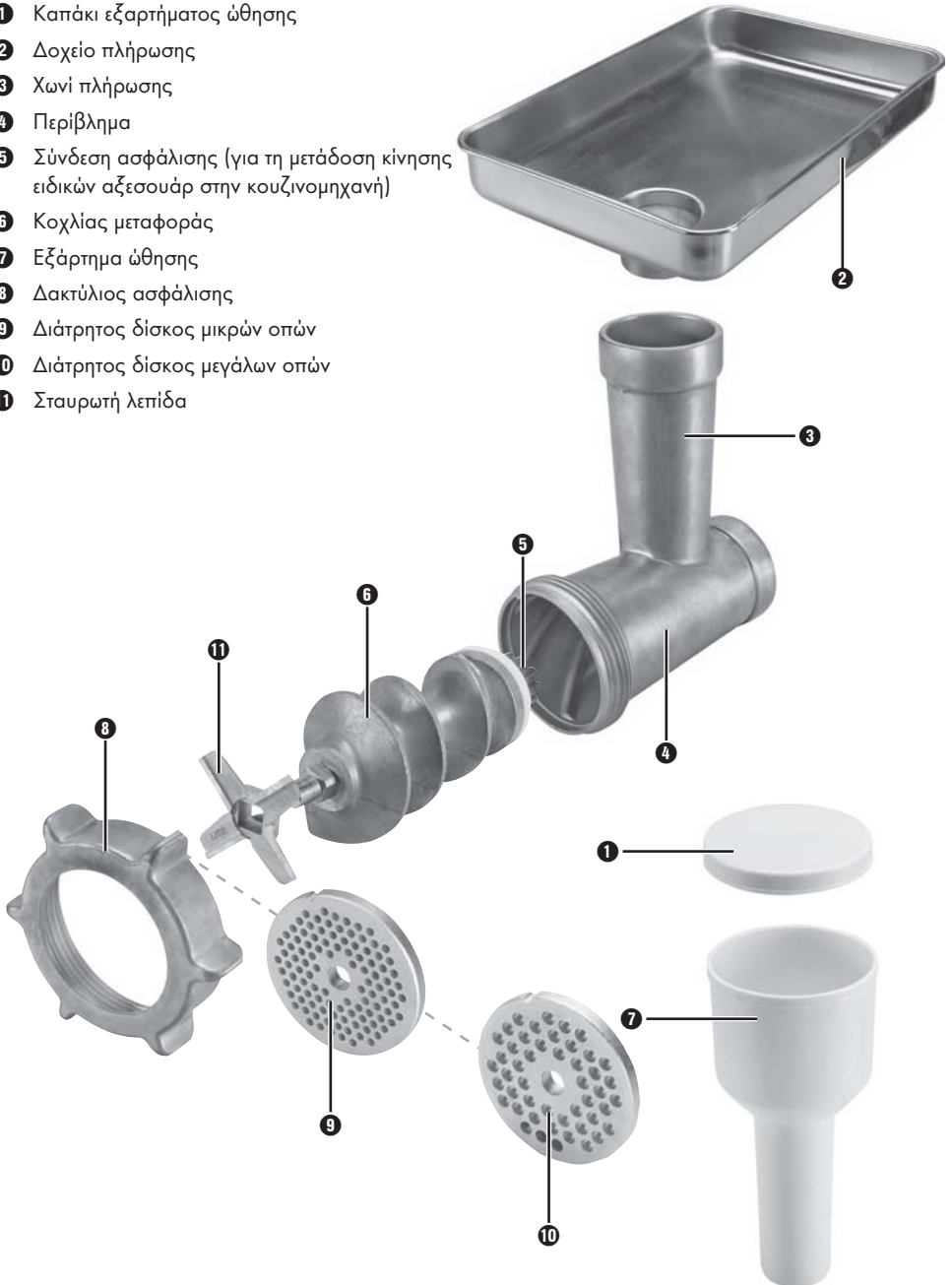
- 1) Απομακρύνετε όλα τα εξαρτήματα από το χαρτοκιβώτιο και αφαιρέστε το υλικό συσκευασίας, καθώς και ενδεχόμενες προστατευτικές μεμβράνες και αυτοκόλλητα.

## **ΠΡΟΣΟΧΗ - ΥΛΙΚΕΣ ΖΗΜΙΕΣ!**

- ▶ Όλα τα μεταλλικά αξεσουάρ διαθέτουν ένα λεπτό φιλμ λαδιού για την προστασία από τη διάβρωση. Για το λόγο αυτό, καθαρίστε πριν την πρώτη χρήση όλα τα εξαρτήματα όπως περιγράφεται λεπτομερώς στο Κεφάλαιο «Καθαρισμός και φροντίδα». Στη συνέχεια, επαλείψτε όλα τα μεταλλικά εξαρτήματα με λίγο λάδι μαγειρικής.

**Περιγραφή εξαρτημάτων για την «Κρεατομηχανή»**

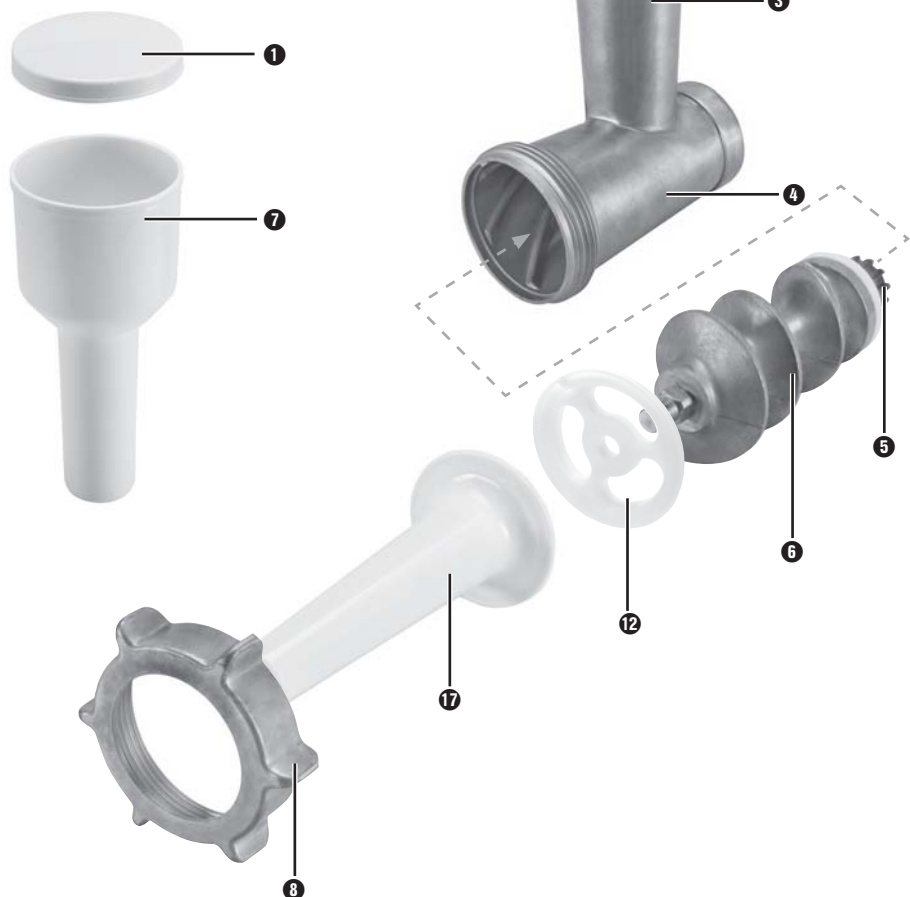
- ❶ Καπάκι εξαρτήματος ώθησης
- ❷ Δοχείο πλήρωσης
- ❸ Χωνί πλήρωσης
- ❹ Περιβλημα
- ❺ Σύνδεση ασφάλισης (για τη μετάδοση κίνησης ειδικών αξεσουάρ στην κουζίνομηχανή)
- ❻ Κοχλίας μεταφοράς
- ❼ Εξάρτημα ώθησης
- ❽ Δακτύλιος ασφάλισης
- ❾ Διάτρητος δίσκος μικρών οπών
- ❿ Διάτρητος δίσκος μεγάλων οπών
- ⓫ Σταυρωτή λεπίδα





## Περιγραφή εξαρτημάτων για το «Εξάρτημα ώθησης για λουκάνικα»

- ❶ Καπάκι εξαρτήματος ώθησης
- ❷ Δοχείο πλήρωσης
- ❸ Χωνί πλήρωσης
- ❹ Περιβλημα
- ❺ Σύνδεση ασφάλισης (για τη μετάδοση κίνησης ειδικών αξεσουάρ στην κουζίνομηχανή)
- ❻ Κοχλίας μεταφοράς
- ❼ Εξάρτημα ώθησης
- ❽ Δακτύλιος ασφάλισης
- ❿ Τεμάχιο απόστασης
- ⓫ Ρύγχος ώθησης για λουκάνικα



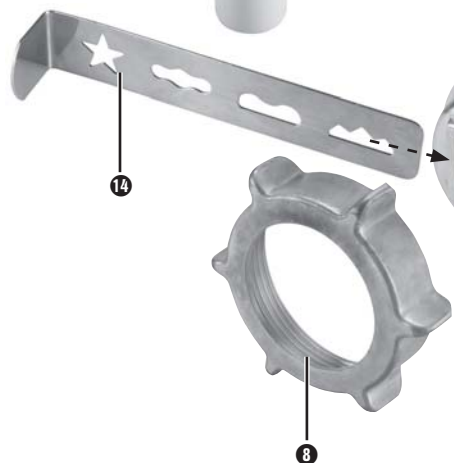
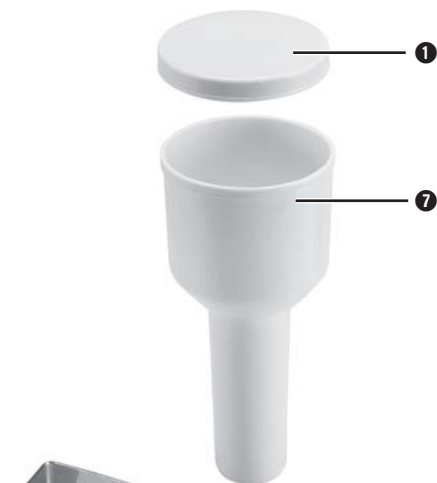
**Περιγραφή εξαρτημάτων για το «Εξάρτημα για κέμπε»**

- ❶ Καπάκι εξαρτήματος ώθησης
- ❷ Δοχείο πλήρωσης
- ❸ Χωνί πλήρωσης
- ❹ Περιβληγμα
- ❺ Σύνδεση ασφάλισης (για τη μετάδοση κίνησης ειδικών αξεσουάρ στην κουζίνομηχανή)
- ❻ Κοχλίας μεταφοράς
- ❼ Εξάρτημα ώθησης
- ❽ Δακτύλιος ασφάλισης
- ❿ Χοάνη κέμπε
- ⓫ Δίσκος κέμπε



## Περιγραφή εξαρτημάτων για το «Εξάρτημα για κουλουράκια»

- 1 Καπάκι εξαρτήματος ώθησης
- 2 Δοχείο πλήρωσης
- 3 Χωνί πλήρωσης
- 4 Περιβλημα
- 5 Σύνδεση ασφάλισης (για τη μετάδοση κίνησης ειδικών αξεσουάρ στην κουζίνομηχανή)
- 6 Κοχλίας μεταφοράς
- 7 Εξάρτημα ώθησης
- 8 Δακτύλιος ασφάλισης
- 12 Τεμάχιο απόστασης
- 13 Βάση λωρίδας σχεδίων
- 14 Λωρίδα σχεδίων



## Συναρμολόγηση

### Συναρμολόγηση κρεατομηχανής

Αναζητήστε βοήθεια στο Κεφάλαιο «Περιγραφή εξαρτημάτων για την «Κρεατομηχανή»».

- 1) Τοποθετήστε τον κοχλία μεταφοράς **6** στο περίβλημα **4**.
- 2) Κατόπιν, τοποθετήστε τη σταυρωτή λεπίδα **11** έτσι, ώστε η πλευρά με τις λεπίδες να δείχνει μακριά από τον κοχλία μεταφοράς **6**. Προσέξτε ώστε η γωνιακή εσοχή της σταυρωτής λεπίδας **11** να εδράζεται σωστά επάνω στον γωνιακό άξονα.
- 3) Επιλέξτε τον επιθυμητό διάτρητο δίσκο **9/10**.
- 4) Τοποθετήστε έτσι τον επιλεγμένο διάτρητο δίσκο **9/10** στο περίβλημα **4**, ώστε η στερέωση στο περίβλημα **4** να πιάνει στην εσοχή στο άκρο του διάτρητου δίσκου **9/10**.
- 5) Εάν όλα έχουν τοποθετηθεί σωστά, βιδώστε τον δακτύλιο ασφάλισης **8** με το χέρι.

Το εξάρτημα μπορεί τώρα να συνδεθεί με την κουζίνομηχανή (βλ. Κεφάλαιο «Συναρμολόγηση στην κουζίνομηχανή»).

### Συναρμολόγηση εξαρτήματος ώθησης για λουκάνικα

Αναζητήστε βοήθεια στο Κεφάλαιο «Περιγραφή εξαρτημάτων για το «Εξάρτημα ώθησης για λουκάνικα»».

- 1) Τοποθετήστε τον κοχλία μεταφοράς **6** στο περίβλημα **4**.
- 2) Κατόπιν, τοποθετήστε το τεμάχιο απόστασης **12**. Προσέξτε ώστε η στερέωση στο περίβλημα **4** να πιάνει στην εσοχή στο άκρο του τεμαχίου απόστασης **12**.
- 3) Κατόπιν, τοποθετήστε το ρύγχος ώθησης για λουκάνικα **17** μπροστά από το τεμάχιο απόστασης **12**.
- 4) Βιδώστε το δακτύλιο ασφάλισης **8** με το χέρι.

Το εξάρτημα μπορεί τώρα να συνδεθεί με την κουζίνομηχανή (βλ. Κεφάλαιο «Συναρμολόγηση στην κουζίνομηχανή»).

### Συναρμολόγηση εξαρτήματος για κέμπε

Αναζητήστε βοήθεια στο Κεφάλαιο «Περιγραφή εξαρτημάτων για το «Εξάρτημα για κέμπε»».

- 1) Τοποθετήστε τον κοχλία μεταφοράς **6** στο περίβλημα **4**.
- 2) Κατόπιν, τοποθετήστε το δίσκο για κέμπε **16**. Προσέξτε ώστε η στερέωση στο περίβλημα **4** να πιάνει στην εσοχή στο άκρο του δίσκου για κέμπε **16**.
- 3) Κατόπιν, τοποθετήστε τη χοάνη για κέμπε **15** μπροστά από το δίσκο για κέμπε **16**.
- 4) Βιδώστε το δακτύλιο ασφάλισης **8** με το χέρι.

Το εξάρτημα μπορεί τώρα να συνδεθεί με την κουζίνομηχανή (βλ. Κεφάλαιο «Συναρμολόγηση στην κουζίνομηχανή»).

### Συναρμολόγηση εξαρτήματος για κουλουράκια

Αναζητήστε βοήθεια στο Κεφάλαιο «Περιγραφή εξαρτημάτων για το «Εξάρτημα για κουλουράκια»».

- 1) Τοποθετήστε τον κοχλία μεταφοράς **6** στο περίβλημα **4**.
- 2) Κατόπιν, τοποθετήστε το τεμάχιο απόστασης **12**. Προσέξτε ώστε η στερέωση στο περίβλημα **4** να πιάνει στην εσοχή στο άκρο του τεμαχίου απόστασης **12**.
- 3) Κατόπιν, τοποθετήστε τη βάση λωρίδας σχεδίων **13** επάνω στο τεμάχιο απόστασης **12**. Προσέξτε ώστε η εσοχή στο άκρο της βάσης λωρίδας σχεδίων **13** να πιάνει στην ασφάλιση του τεμαχίου απόστασης **12**.
- 4) Βιδώστε το δακτύλιο ασφάλισης **8** με το χέρι.
- 5) Ωθήστε τη λωρίδα σχεδίων **13** μέσα από τη βάση λωρίδας σχεδίων **13**, ώστε το επιθυμητό από εσάς σχέδιο να βρίσκεται μπροστά από το άνοιγμα της βάσης λωρίδας σχεδίων **13**.

Το εξάρτημα μπορεί τώρα να συνδεθεί με την κουζίνομηχανή (βλ. Κεφάλαιο «Συναρμολόγηση στην κουζίνομηχανή»).

## Συναρμολόγηση στην κουζίνομηχανή

### **⚠ ΠΡΟΕΙΔΟΠΟΙΗΣΗ!** **ΚΙΝΔΥΝΟΣ ΤΡΑΥΜΑΤΙΣΜΟΥ!**

- ▶ Βεβαιωθείτε ότι έχει τραβηχτεί το βύσμα της κουζίνομηχανής από την πρίζα όταν συναρμολογείτε το εξάρτημα κρεατομηχανής στην κουζίνομηχανή!
- 1) Αφαιρέστε το κάλυμμα μετάδοσης κίνησης για ειδικά αξεσουάρ (βλ. Κεφάλαιο «Εργασία με ειδικά αξεσουάρ» στις οδηγίες χρήσης της κουζίνομηχανής).
  - 2) Τοποθετήστε τη σύνδεση ασφάλισης **5** στη μετάδοση κίνησης ειδικών αξεσουάρ, έτσι ώστε το χωνί πλήρωσης **3** να δείχνει λοξά προς τα επάνω (για παράδειγμα προβάλλεται εδώ το περίβλημα **4** με τοποθετημένη την κρεατομηχανή):



- 3) Γυρίστε το χωνί πλήρωσης **3** έτσι ώστε να δείχνει ευθεία επάνω και το εξάρτημα να εδράζεται σταθερά:



## Επεξεργασία τροφίμων

### ΥΠΟΔΕΙΞΗ

- Αφήστε την κουζίνομηχανή να λειτουργήσει το πολύ για 10 λεπτά στο τεμάχιο. Σε αντίθετη περίπτωση, η συσκευή μπορεί να υπερθερμανθεί!

### Δημιουργία κιμά από κρέας

Όταν το εξάρτημα κρεατομηχανής έχει συναρμολογηθεί σωστά στην κουζίνομηχανή:

- 1) Τοποθετήστε ένα αρκετά μεγάλο δοχείο κάτω από το εξάρτημα κρεατομηχανής, ώστε τα επεξεργασμένα τρόφιμα να πέφτουν μέσα.
- 2) Τοποθετήστε το δοχείο πλήρωσης **2** επάνω στο χωνί πλήρωσης **3**.
- 3) Εάν δεν έχει συμβεί ακόμα: Ασφαλίστε το εξάρτημα ώθησης **7** με το καπάκι εξαρτήματος ώθησης **1**.
- 4) Προετοιμάστε το κρέας προς επεξεργασία, κόβοντάς το σε τεμάχια μεγέθους περ. 2 εκ. Προσέξτε ώστε να μην εισέρχονται κόκαλα ή τένοντες στην κρεατομηχανή.
- 5) Συνδέστε το βύσμα της κουζίνομηχανής σε μια πρίζα δικτύου.
- 6) Θέστε τον περιστρεφόμενο διακόπτη της κουζίνομηχανής σε μια χαμηλή βαθμίδα (1 - 3).
- 7) Βάλτε τα τρόφιμα προς επεξεργασία στο χωνί πλήρωσης **3**. Κατόπιν, χρησιμοποιήστε το εξάρτημα ώθησης **7** για να πιέσετε και άλλο το κρέας στο χωνί πλήρωσης **3**.
- 8) Όταν επεξεργαστείτε όλα τα τρόφιμα, γυρίστε τον περιστρεφόμενο διακόπτη της κουζίνομηχανής στη θέση 0 και τραβήξτε το βύσμα δικτύου από την πρίζα.

### Ώθηση λουκάνικων

Όταν το εξάρτημα ώθησης για λουκάνικα έχει συναρμολογηθεί σωστά στην κουζίνομηχανή:

- 1) Τοποθετήστε το δοχείο πλήρωσης **2** επάνω στο χωνί πλήρωσης **3**.
- 2) Εάν δεν έχει συμβεί ακόμα: Ασφαλίστε το εξάρτημα ώθησης **7** με το καπάκι εξαρτήματος ώθησης **1**.
- 3) Περάστε το έντερο (φυσικά ή τεχνητά εντόσθια) με τη βοήθεια του ρύγχους ώθησης για λουκάνικα **17** και κλείστε το άλλο άκρο δένοντας. Ανά 1 κιλό μάζας γεμίματος μπορείτε να υπολογίσετε περίπου 1,60 μ. εντέρου για λουκάνικα.

### ΣΥΜΒΟΥΛΗ

Τοποθετήστε προηγουμένως τα φυσικά εντόσθια περίπου για 3 ώρες σε χλιαρό νερό και πριν την πλήρωση στραγγίστε τα. Έτσι, τα φυσικά εντόσθια ανακτούν την ελαστικότητά τους. Μπορείτε να βρείτε φυσικά εντόσθια στα καταστήματα ειδών κρεοπωλείων κοντά σε σφαγεία ή στο δικό σας κρεοπωλείο.

- 4) Συνδέστε το βύσμα της κουζίνομηχανής σε μια πρίζα δικτύου.
- 5) Θέστε τον περιστρεφόμενο διακόπτη της κουζίνομηχανής σε μια χαμηλή βαθμίδα (1 - 3).
- 6) Βάλτε τη γέμιση λουκάνικου στο χωνί πλήρωσης **3**. Κατόπιν, χρησιμοποιήστε το εξάρτημα ώθησης **7** για να πιέσετε και άλλο τη γέμιση λουκάνικου στο χωνί πλήρωσης **3**.
- 7) Η γέμιση λουκάνικου πιέζεται από το ρύγχος ώθησης για λουκάνικα **17** στο έντερο. Μόλις επιτευχθεί το επιθυμητό μήκος, απενεργοποιήστε την κουζίνομηχανή, πιέστε το τέλος του λουκάνικου και περιστρέψτε το μερικές φορές γύρω από τον κατά μήκος άξονα του.

### ΣΥΜΒΟΥΛΗ

Κατά το μαγείρεμα και την ψύξη, το λουκάνικο τεντώνεται. Για το λόγο αυτό, μην το γεμίζετε υπερβολικά, καθώς μπορεί να σκάσει.

- 8) Όταν επεξεργαστείτε όλα τα τρόφιμα, γυρίστε τον περιστρεφόμενο διακόπτη της κουζίνομηχανής στη θέση 0 και τραβήξτε το βύσμα δικτύου από την πρίζα.

## Δημιουργία ρολών κέμπε

Με το εξάρτημα κέμπε μπορείτε να διαμορφώσετε από συνεστραμμένα τρόφιμα κοίλα ρολά από κρέας ή λαχανικά, τα οποία μπορείτε να γεμίσετε όπως εσείς επιθυμείτε.

### ΥΠΟΔΕΙΞΗ

- ▶ Περιστρέψτε πρώτα το κρέας δύο φορές μέσα από το εξάρτημα κρεατομηχανής, προτού το πρεσάρτε μέσα από το εξάρτημα για κέμπε.
- 1) Τοποθετήστε το δοχείο πλήρωσης **2** επάνω στο χωνί πλήρωσης **3**.
  - 2) Εάν δεν έχει συμβεί ακόμα: Ασφαλίστε το εξάρτημα ώθησης **7** με το καπάκι εξαρτήματος ώθησης **1**.
  - 3) Συνδέστε το βύσμα της κουζινομηχανής σε μια πρίζα δικτύου.
  - 4) Θέστε τον περιστρεφόμενο διακόπτη της κουζινομηχανής σε μια χαμηλή βαθμίδα (1 - 3).
  - 5) Βάλτε τη μάζα, από την οποία θα αποτελούνται τα ρολά κέμπε, μέσα στο χωνί πλήρωσης **3**. Κατόπιν, χρησιμοποιήστε το εξάρτημα ώθησης **7** για να πιέσετε και άλλο τη μάζα στο χωνί πλήρωσης **3**.
  - 6) Όταν επεξεργαστείτε όλα τα τρόφιμα, γυρίστε τον περιστρεφόμενο διακόπτη της κουζινομηχανής στη θέση 0 και τραβήξτε το βύσμα δικτύου από την πρίζα.

## Παρασκευή κουλουριών

Όταν ετοιμάσετε τη ζύμη για κουλουράκια σύμφωνα με τη συνταγή σας και συνδέσετε το εξάρτημα για κουλουράκια σωστά στη μηχανή κουζίνας:

- 1) Βάλτε σε ένα μικρό ταψί χαρτί ψησίματος και τοποθετήστε το κάτω από το άνοιγμα εξόδου μπροστά από το εξάρτημα.
- 2) Τοποθετήστε το δοχείο πλήρωσης **2** επάνω στο χωνί πλήρωσης **3**.
- 3) Εάν δεν έχει συμβεί ακόμα: Ασφαλίστε το εξάρτημα ώθησης **7** με το καπάκι εξαρτήματος ώθησης **1**.
- 4) Συνδέστε το βύσμα της κουζινομηχανής σε μια πρίζα δικτύου.
- 5) Θέστε τον περιστρεφόμενο διακόπτη της κουζινομηχανής σε μια χαμηλή βαθμίδα (1 - 3).
- 6) Πιέστε ομοιόμορφα ζύμη στο χωνί πλήρωσης **3** - ο κοχλίας μεταφοράς **6** πιέζει τη ζύμη στη συνέχεια μέσα από το επιλεγμένο σχέδιο στη λωρίδα σχεδίων **14**.
- 7) Όταν το παρασκεύασμα ζύμης φτάσει στο επιθυμητό μήκος, σταματήστε τη συσκευή και κόψτε τη ζύμη στο άνοιγμα εξόδου. Τοποθετήστε το παρασκεύασμα ζύμης επάνω στο ταψί.
- 8) Ενεργοποιήστε πάλι τη συσκευή και ακολουθήστε ακριβώς την ίδια διαδικασία με την υπόλοιπη ζύμη.
- 9) Όταν επεξεργαστείτε τη ζύμη, γυρίστε τον περιστρεφόμενο διακόπτη της κουζινομηχανής στη θέση 0 και τραβήξτε το βύσμα δικτύου από την πρίζα.

## Αποσυναρμολόγηση

### **⚠ ΠΡΟΕΙΔΟΠΟΙΗΣΗ! ΚΙΝΔΥΝΟΣ ΤΡΑΥΜΑΤΙΣΜΟΥ!**

- ▶ Αποσυνδέετε πάντα τη συσκευή από το δίκτυο ρεύματος, προτού αποσυναρμολογήσετε το εξάρτημα!

- 1) Απομακρύνετε το δοχείο πλήρωσης **2**.
- 2) Πιέστε το μικρό πλήκτρο δίπλα στο χωνί πλήρωσης **3** στην κουζίνομηχανή, γυρίστε ταυτόχρονα το εξάρτημα στα πλάγια και αφαιρέστε το από την κουζίνομηχανή.

## Καθαρισμός και φροντίδα

### **⚠ ΠΡΟΕΙΔΟΠΟΙΗΣΗ! ΚΙΝΔΥΝΟΣ ΤΡΑΥΜΑΤΙΣΜΟΥ!**

- ▶ Να είστε προσεκτικοί κατά τον καθαρισμό της σταυρωτής λεπίδας **10**! Αυτή έχει αιχμηρές ακμές.

### **ΠΡΟΣΟΧΗ! ΥΛΙΚΕΣ ΖΗΜΙΕΣ!**

- ▶ Μη χρησιμοποιείτε άγρια, εκτριπτικά και χημικά μέσα καθαρισμού. Αυτά μπορεί να φθείρουν τις επιφάνειες.
- ▶ Μην καθαρίζετε τα μέρη αυτού του εξαρτήματος στο πλυντήριο πιάτων! Αυτό προκαλεί ζημιά στα αξεσουάρ!

- 1) Καθαρίζετε όλα τα εξαρτήματα σε ζεστό νερό, προσθέτοντας ένα ήπιο απορρυπαντικό.
- 2) Ξεπλένετε όλα τα μέρη με καθαρό νερό, έτσι ώστε να μην υπάρχουν πλέον υπολείμματα απορρυπαντικού.
- 3) Στεγνώνετε τα όλα καλά.

### **ΥΠΟΔΕΙΞΗ**

- ▶ Μετά από κάθε καθαρισμό, επαλείψετε τα μεταλλικά εξαρτήματα με λάδι μαγειρικής! Ειδάλλως, ενδέχεται τα μεταλλικά εξαρτήματα να αποχρωματιστούν!

## Αποθήκευση

Φυλάτε όλα τα εξαρτήματα του εξαρτήματος κρεατομηχανής σε ένα καθαρό και στεγνό μέρος.

Μπορείτε, επίσης, να φυλάξετε τους διάτρητους δίσκους **9/10** και στο εξάρτημα ώθησης **7**.

## Απόρριψη

Απορρίψτε το εξάρτημα με τρόπο φιλικό για το περιβάλλον.



Η συσκευασία αποτελείται από φιλικά προς το περιβάλλον υλικά, τα οποία μπορείτε να απορρίψετε μέσω των τοπικών υπηρεσιών ανακύκλωσης.



## Εγγύηση της Kompernass Handels GmbH

Αξιότιμη πελάτισσα, αξιότιμε πελάτη,

Η παρούσα συσκευή διατίθεται 3 χρόνια εγγύηση από την ημερομηνία αγοράς. Στην περίπτωση ελλείψεων στο προϊόν έχετε νομικά δικαιώματα έναντι του πωλητή του προϊόντος. Αυτά τα νομικά δικαιώματα δεν περιορίζονται μέσω της κατωτέρω αναφερόμενης εγγύησης.

### Προϋποθέσεις εγγύησης

Η περίοδος εγγύησης ξεκινάει κατά την ημερομηνία αγοράς. Φυλάξτε καλά την πρωτότυπη απόδειξη ταμείου. Αυτό το έγγραφο απαιτείται ως απόδειξη για την αγορά.

Εάν, εντός τριών ετών από την ημερομηνία αγοράς, προκύψει στο προϊόν αυτό σφάλμα υλικού ή κατασκευής, κατόπιν κρίσης μας, επισκευάζουμε ή αντικαθιστούμε το προϊόν για εσάς δωρεάν.

Η παρούσα εγγύηση προϋποθέτει ότι εντός της περιόδου τριών ετών η ελαττωματική συσκευή και η απόδειξη αγοράς (απόδειξη ταμείου) θα υποβληθούν μαζί με σύντομη περιγραφή σχετικά με το που βρίσκεται η έλλειψη και τότε προέκυψε.

Εάν το ελάττωμα καλύπτεται από την εγγύησή μας, θα λάβετε το επισκευασμένο ή ένα νέο προϊόν.

### Περίοδος εγγύησης και νομικές απαιτήσεις λόγω ελλείψεων

Ο χρόνος εγγύησης δεν παρατείνεται μέσω της παροχής εγγύησης. Αυτό ισχύει και για εξαρτήματα, τα οποία έχουν αντικατασταθεί και επισκευαστεί.

Ενδεχόμενες ήδη υπάρχουσες ζημιές και ελλείψεις κατά την αγορά πρέπει να γνωστοποιούνται αμέσως μετά την αποσυσκευασία. Μετά τη λήξη του χρόνου εγγύησης, τυχόν εμφανιζόμενες επισκευές χρεώνονται.

### Εύρος εγγύησης

Η συσκευή κατασκευάστηκε σύμφωνα με αυστηρές οδηγίες ποιότητας και ελέγχθηκε προσεκτικά πριν από την αποστολή.

Η απόδοση εγγύησης ισχύει για σφάλματα υλικού ή κατασκευής. Η παρούσα εγγύηση δεν εκτείνεται σε τμήματα του προϊόντος, τα οποία εκτίθενται σε φυσιολογική φθορά και έτσι μπορεί να θεωρούνται εξαρτήματα φθοράς ή για ζημιές σε εύθραυστα εξαρτήματα, π.χ. διακόπτες, συσσωρευτές, ταψιά ή εξαρτήματα που είναι κατασκευασμένα από γυαλί.

Η παρούσα εγγύηση ακυρώνεται εάν προκληθεί ζημιά στο προϊόν, εάν δεν γίνεται σωστή χρήση ή συντήρηση. Για μια σωστή χρήση του προϊόντος πρέπει να τηρούνται επακριβώς οι αναφερόμενες υποδείξεις στις οδηγίες χειρισμού. Σκοποί χρήσης και χειρισμοί που δεν συνιστώνται ή για τους οποίους υπάρχει προειδοποίηση πρέπει απαραίτητα να αποφεύγονται.

Το προϊόν προορίζεται μόνο για ιδιωτική και όχι για επαγγελματική χρήση. Σε περίπτωση κακής μεταχείρισης και ακατάλληλης χρήσης, χρήσης βίας και παρεμβάσεων, οι οποίες δεν διεξήχθησαν από το εξουσιοδοτημένο μας τμήμα σέρβις, η εγγύηση παύει να ισχύει.

## Διαδικασία σε περίπτωση εγγύησης

Για την εξασφάλιση γρήγορης επεξεργασίας του ζητήματός σας, τηρείτε τις ακόλουθες υποδείξεις:

- Για όλες τις ερωτήσεις έχετε έτοιμη την απόδειξη αγοράς και τον κωδικό προϊόντος (π.χ. IAN 12345) ως απόδειξη για την αγορά.
- Μπορείτε να βρείτε τον κωδικό προϊόντος στην πινακίδα τύπου, χαραγμένο, στην πρώτη σελίδα των οδηγιών σας (κάτω αριστερά) ή σε αυτοκόλλητο στην πίσω ή κάτω πλευρά.
- Εάν προκύψουν σφάλματα λειτουργίας ή άλλες ελλείψεις, επικοινωνήστε κατ' αρχήν με το ακόλουθο αναφερόμενο τμήμα σέρβις **τηλεφωνικά** ή **με E-Mail**.
- Ένα προϊόν που θεωρείται ελαττωματικό μπορείτε να το αποστείλετε ατελώς στην αναφερόμενη διεύθυνση του σέρβις επισυνάπτοντας την απόδειξη αγοράς (απόδειξη ταμείου) και αναφέροντας που βρίσκεται η έλλειψη και τότε εμφανίστηκε.



Στην ιστοσελίδα [www.lidl-service.com](http://www.lidl-service.com) μπορείτε να κατεβάσετε το παρόν και πολλά άλλα εγχειρίδια, βίντεο προϊόντων και λογισμικό.

## Σέρβις

**GR** Σέρβις Ελλάδα  
Tel.: 801 5000 019 (0,03 EUR/Min.)  
E-Mail: [kompennass@lidl.gr](mailto:kompennass@lidl.gr)

**CY** Σέρβις Κύπρος  
Tel.: 8009 4409  
E-Mail: [kompennass@lidl.com.cy](mailto:kompennass@lidl.com.cy)

IAN 281064 - C

## Εισαγωγέας

Η ακόλουθη διεύθυνση δεν είναι διεύθυνση σέρβις. Επικοινωνήστε, κατ' αρχήν, με την αναφερόμενη υπηρεσία σέρβις.

KOMPENASS HANDELS GMBH  
BURGSTRASSE 21  
DE-44867 BOCHUM  
GERMANIA  
[www.kompennass.com](http://www.kompennass.com)



**KOMPERNASS HANDELS GMBH**

BURGSTRASSE 21

DE-44867 BOCHUM

GERMANY

[www.kompernass.com](http://www.kompernass.com)

Last Information Update · Έκδοση των πληροφοριών:

01 / 2017 · Ident.-No.: SKV1200A1-C072016-2

IAN 281064 - C