

SILVERCREST®



www.lidl-service.com



SORBET MAKER SSM 200 A1

GB IE

SORBET MAKER

Operating instructions

NL BE

SORBET MAKER

Gebruiksaanwijzing

DK

SORBETMASKINE

Betjeningsvejledning

DE AT CH

SORBET-MAKER

Bedienungsanleitung

IAN 96255

DK NL



GB IE

Before reading, unfold the page containing the illustrations and familiarise yourself with all functions of the device.

DK

Før du læser, vend siden med billeder frem og bliv bekendt med alle apparatets funktioner.

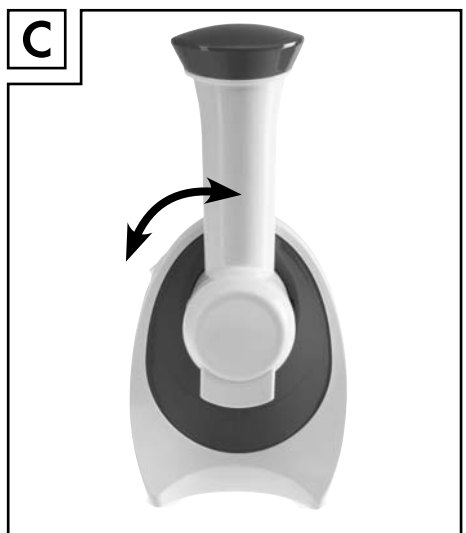
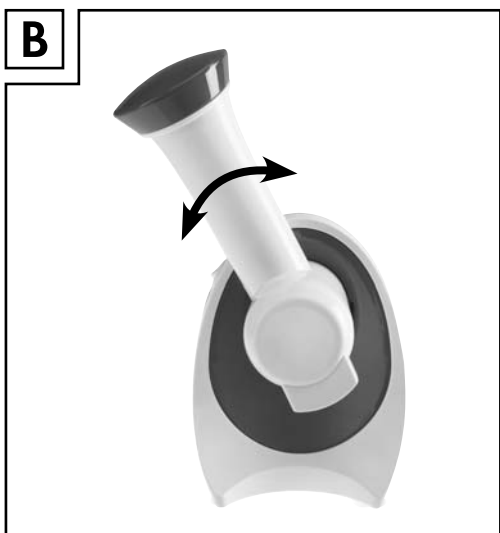
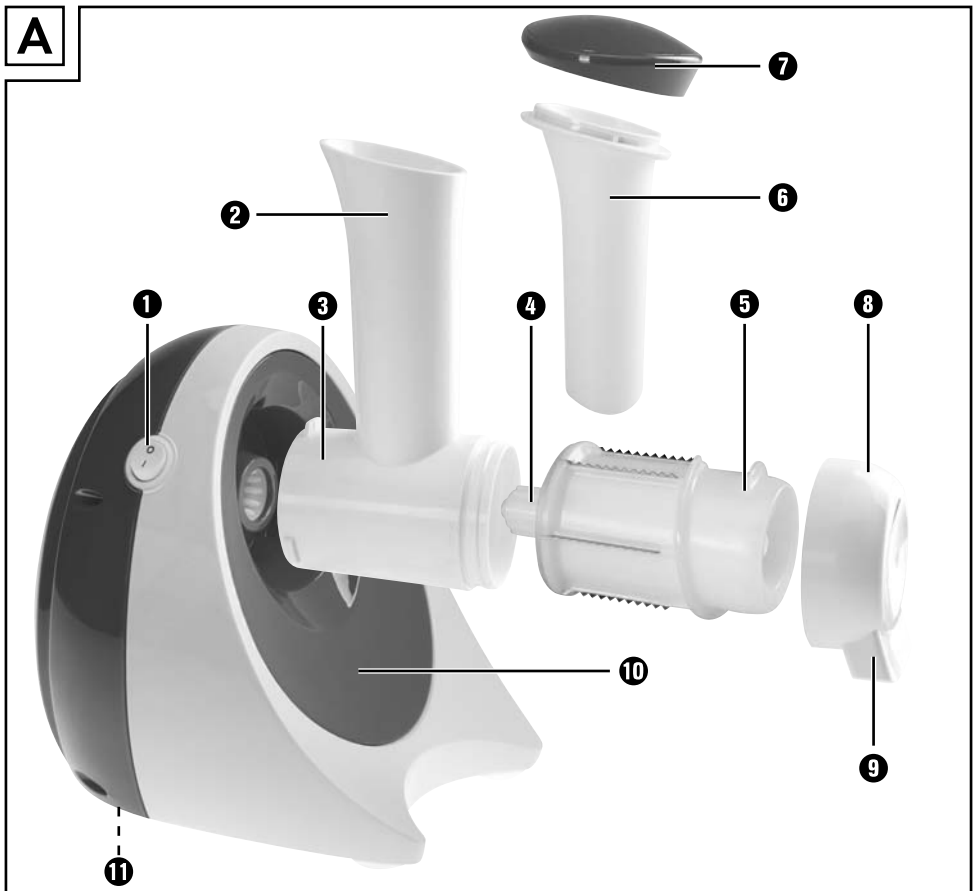
NL BE

Vouw vóór het lezen de pagina met de afbeeldingen open en maak u vertrouwd met alle functies van het apparaat.

DE AT CH

Klappen Sie vor dem Lesen die Seite mit den Abbildungen aus und machen Sie sich anschließend mit allen Funktionen des Gerätes vertraut.

GB/IE	Operating instructions	Page	1
DK	Betjeningsvejledning	Side	11
NL/BE	Gebruiksaanwijzing	Pagina	21
DE/AT/CH	Bedienungsanleitung	Seite	31



Contents

Introduction	2
Intended use	2
Package contents	2
Description of the appliance	2
Technical data	2
Safety guidelines	3
Assembly	5
Preparing ingredients	5
Using the appliance	5
Cleaning and care	6
Storage	7
Warranty and service	7
Disposal	7
Importer	7
Recipes	8
Tropicana sorbet	8
Melon & berry sorbet	8
Banana & pineapple sorbet	8
Banana sorbet	8
Kiwi-Mango Sorbet	9
Strawberry and pineapple sorbet	9
Pistachio & berry sorbet	9
Chocolate kiwi sorbet	9
Raspberry & pear sorbet	10
Peach & banana sorbet	10

Introduction

Congratulations on the purchase of your new appliance.

You have selected a high-quality product.

The operating instructions are part of this product.

They contain important information on safety, usage and disposal. Before using the product, familiarise yourself with all handling and safety guidelines.

Use the product only as described and for the range of applications specified. Please also pass these operating instructions on to any future owner(s).

Intended use

This appliance is intended exclusively for making sorbet from frozen fruit. This appliance is intended solely for use in private households. Do not use it for commercial purposes.

Package contents

Sorbet Maker

Operating instructions

Description of the appliance

- ❶ On/Off switch
- ❷ Feeding tube
- ❸ Roller housing
- ❹ Drive shaft
- ❺ Blade roller
- ❻ Pusher
- ❼ Pusher lid
- ❽ End cap
- ❾ Outlet
- ❿ Motor unit
- ⓫ Cable storage compartment

Technical data

Rated voltage: 220 - 240 V ~, 50 Hz

Rated input: 200 W

Protection class: II 

CO time: 2 minutes

CO time

The CO time (continuous operation time) is the amount of time an appliance can be operated without the motor overheating and becoming damaged. After the appliance has run for this length of time, it must be switched off for about 1 minute to allow the motor to cool down.

Safety guidelines

RISK OF ELECTRIC SHOCK

- ▶ Connect the appliance only to mains power sockets supplying a mains power voltage of 220 - 240 V ~, 50 Hz.
- ▶ To prevent accidents, have defective plugs and/or power cables replaced immediately by an authorised specialist technician or our Customer Service department.
- ▶ In event of operating malfunctions and before cleaning the appliance, remove the power plug from the mains power socket.
- ▶ Always remove the power cable from the socket by pulling on the plug, not on the power cable itself.
- ▶ Do not kink or crush the power cable, and route the cable so that it cannot be stepped on or tripped over.
- ▶ Do not expose the appliance to humidity and do not use it outdoors. If liquid gets into the housing, disconnect the appliance from the mains power socket immediately and have it repaired by a qualified technician.
- ▶ NEVER take hold the motor unit, the power cable or the power plug with wet hands.
- ▶ If the power cable or the motor unit are damaged, you must have the appliance repaired by qualified technicians before using it again.
- ▶ Do not open the housing of the appliance motor unit. Doing so can lead to risks and also invalidates the warranty.
- ▶ Disconnect the appliance from the mains power source immediately after use. The appliance is completely free of electrical power ONLY when unplugged.



Never immerse the motor unit of the appliance in liquid and do not allow any liquids to enter the housing of the motor unit.

⚠ WARNING! RISK OF INJURY!

- ▶ This appliance should not be used by children.
- ▶ Keep the appliance and its cord out of reach of children.
- ▶ This appliance may be used by persons with limited physical, sensory or mental capabilities or lack of experience and knowledge, provided that they are under supervision or have been told how to use the appliance safely and are aware of the potential risks.
- ▶ Children must not use the appliance as a plaything.
- ▶ Handle the sharp blades with caution as they could cause injuries. Reassemble the appliance after using and/or cleaning it so that you do not injure yourself with the exposed blades. Keep the blades out of the reach of children.
- ▶ The appliance and its connecting cable must be kept away from children.
- ▶ The appliance should always be disconnected from the mains when unattended and before assembly, disassembly or cleaning.
- ▶ Never put your hand into the openings of the appliance. Do not insert any objects of any kind into the openings – except for the pusher and the food-stuffs to be processed. If you do, there will be a serious risk of accidents!
- ▶ Before changing accessories or additional parts that are in motion during operation, the appliance must be switched off and disconnected from mains power.

CAUTION! MATERIAL DAMAGE!

- ▶ Do not try to use the appliance to crush ice cubes! This will irreparably damage the appliance!

Assembly

- 1) Remove all packaging materials and any stickers from the appliance.
- 2) Clean the appliance as described in the section "Cleaning and Care".
- 3) Place the motor unit **10** on a flat surface.
- 4) Push the knife roller **5** into the roller housing **3**. The drive shaft **4** must project into the opening of the roller housing **3**.
- 5) Screw the end cap **8** onto the roller housing **3**, until the outlet **9** is pointing downwards and the end cap **8** no longer turns. In doing so, turn the end cap **8** in clockwise direction.
- 6) Push the assembled roller housing **3** into the motor unit **10**, so that the feed tube **2** is slightly offset (see Figure B on the fold-out page). The locking mechanisms on the roller housing **3** must reach into the slots on the motor unit **10**. Turn the roller housing **3**, so that the feed tube **2** is facing upwards and the roller housing **3** snaps into place (see Figure C on the fold-out page).
- 7) Place the pusher **6** into the feed tube **2**.

NOTE

- ▶ The pusher lid **7** can be removed.

For removal:

- Turn the pusher lid **7** anticlockwise until it allows itself to be removed.

For set up:

- Place the pusher lid **7** on the pusher **6**, so that both locking mechanisms on the pusher lid **7** slide through the slots on the pusher **6** and then turn the pusher lid **7** in clockwise direction so that it is firmly held in place.

- 8) Insert the plug into a mains power socket. The appliance is now ready for use.

Preparing ingredients

CAUTION! MATERIAL DAMAGE!

- ▶ Do not process fruits with stones or cores.
- ▶ Do not process whole nuts.
- ▶ Do not process ice cubes.

- ◆ Peel fruits such as bananas or kiwis.
- ◆ Remove cores, stones or stems from the fruit.
- ◆ Cut the fruit into small pieces so that it will easily fit through the feed tube **2**.
- ◆ Ingredients such as such as cooking chocolate must be crushed into small pieces.
- ◆ Put the prepared fruit in freezer bags or plastic tubs and place them into the freezer for approximately 24 hours (-18 °C).

NOTE

- ▶ Instead of freezing fresh fruit, you can use fruit that has already frozen from the deep-freezer.

Using the appliance

- 1) Take the fruits out of the freezer about 10–20 minutes before use.
- 2) Place a suitable bowl under the outlet **9**.
- 3) Remove the pusher **6** from the feed tube **2**.
- 4) Add the prepared fruits into the feed tube **2**.
- 5) Switch on the appliance using the on/off switch **1** (position I).

- 6) Applying light pressure, use the pusher **6** to push the fruit into the appliance. The chopped fruit will come out of the outlet **9** after a short time. If the pusher **6** cannot be pressed further down, remove it and add a little more fruit or ingredients.

NOTE

- ▶ If you want to make a sorbet from several different fruits/ingredients, add the different fruits alternately into the feed tube **2**. In this way, the fruits will be mixed directly.
- 7) Once all the fruits are chopped, stop the appliance by moving the on/off switch **1** to the \circ position.
- 8) Remove the power plug from the socket.
- 9) Unscrew the end cap **8** and pull the blade roller **5** carefully out of the roller housing **3**.
- 10) Use a knife to scrape any remaining fruit residue from between the blades on the blade roller **5** and add this to the bowl.
- 11) Mix the fruit in the bowl.

You can now serve the sorbet.

Cleaning and care

RISK OF ELECTRIC SHOCK

- ▶ Always remove the plug from the mains power socket before you clean the appliance.



Ensure you never submerge the motor unit **10** in liquid, and never allow liquid to enter the motor unit housing **10**.

WARNING! RISK OF INJURY!

- ▶ Take great care when handling the blade roller **5**.
- ◆ Clean the motor unit **10** with a moist cloth after every use. If there is heavy soiling, add mild detergent to the cloth. Rinse detergent residues off with clear water. Ensure that there are no detergent residues on the appliance, and that the appliance is completely dry before renewed use.
- ◆ Remove the pusher lid **7** from the pusher **6** for cleaning purposes.
- ◆ Wash the pusher **6**, the pusher lid **7**, the blade roller **5**, the end cap **8** and the roller housing **3** in lukewarm water with a little detergent.
- ◆ Ensure that all parts are completely dry before re-use.

NOTE

- ▶ You can also wash the pusher **6**, the pusher lid **7**, the end cap **8** and the roller housing **3** in the dishwasher. Place the parts, where possible, in the upper basket and ensure that none of the parts can get stuck. Otherwise they could get bent or otherwise deformed.

Storage

- ◆ Always clean the appliance thoroughly before storing.
- ◆ Push the power cable and plug into the cable storage compartment **11** on the underside of the appliance.
- ◆ Store the appliance in a clean and dry location.

Warranty and service

You are provided a 3-year warranty on this appliance, valid from the date of purchase. This appliance has been manufactured with care and inspected meticulously prior to delivery. Please retain your receipt as proof of purchase. In the event of a warranty claim, please contact your Customer Service unit by telephone. This is the only way to guarantee free return of your goods.

The warranty only covers claims for material and manufacturing defects, not for damage sustained during carriage, components subject to wear and tear or damage to fragile components such as switches or rechargeable batteries. This appliance is intended solely for private use and not for commercial purposes.

The warranty shall be deemed void in cases of misuse or improper handling, use of force and interventions which have not been carried out by one of our authorised Service centres.

Your statutory rights are not restricted by this warranty.

The warranty period is not prolonged by repairs effected under the warranty. This also applies to replaced and repaired components. Any damage and defects present at the time of purchase must be reported immediately after unpacking, but no later than two days after the date of purchase. Repairs carried out after expiry of the warranty period shall be subject to charge.

GB Service Great Britain

Tel.: 0871 5000 720 (£ 0.10/Min.)

E-Mail: kompernass@lidl.co.uk

IAN 96255

IE Service Ireland

Tel.: 1 890 930 034

(0,08 EUR/Min., (peak))

(0,06 EUR/Min., (off peak))

E-Mail: kompernass@lidl.ie

IAN 96255

Hotline availability:

Monday to Friday 08:00 - 20:00 (CET)

Disposal



Never dispose of the appliance in the normal domestic waste. This product is subject to the provisions of European Directive 2012/19/EU.

Dispose of the appliance via an approved waste disposal company or your municipal waste disposal facility. Please observe applicable regulations. Please contact your waste disposal facility if you are in any doubt.



The packaging is made from environmentally friendly material and can be disposed of at your local recycling plant.

Importer

KOMPERNASS HANDELS GMBH

BURGSTRASSE 21

44867 BOCHUM

GERMANY

www.kompernass.com

Recipes

NOTE

These recipes are provided without guarantee. All information on ingredients and preparation is indicative only. Modify the suggested recipes to taste.

Tropicana sorbet

Ingredients

- approx. 160 g pineapple
- 1 orange
- 1/2 mango (approx. 100 - 150 g)

Preparation

After the ingredients have been prepared as described in the section "Preparing ingredients":

- 1) Fill the feed tube **2** alternately with pieces of pineapple, orange and mango.
- 2) Mix the sorbet produced once again with a spoon.

Melon & berry sorbet

Ingredients

- approx. 200 g honeydew melon
- approx. 100 g berry mixture (e.g. wild berry mixture from the deep-freezer)
- 2 tbsp. of coconut or chocolate shavings

Preparation

After the ingredients have been prepared as described in the section "Preparing ingredients":

- 1) Fill the feed tube **2** alternately with pieces of honeydew melon and berries.
- 2) Add the coconut or chocolate shavings to the sorbet and mix everything with a spoon.

Banana & pineapple sorbet

Ingredients

- 1 banana
- approx. 160 g pineapple
- 1 tsp. of shaved coconut

Preparation

After the ingredients have been prepared as described in the section "Preparing ingredients":

- 1) Add the banana to the feed tube **2** and push it into the appliance using the pusher **6**. Then add the pineapple pieces.
- 2) Add the coconut shavings to the sorbet and mix everything with a spoon.

Banana sorbet

Ingredients

- 2 bananas
- 60 g plain chocolate

Preparation

After the ingredients have been prepared as described in the section "Preparing ingredients":

- 1) Add the banana into the feed tube **2**.
- 2) Add the plain chocolate into the feed tube **2**.
- 3) Add the second banana into the feed tube **2**.

Kiwi-Mango Sorbet

Ingredients

- 3 kiwis
- 1/2 mango (approx. 100 - 150 g)

Preparation

After the ingredients have been prepared as described in the section "Preparing ingredients":

- 1) Add the prepared fruits alternately into the feed tube ②.
- 2) Mix the sorbet produced once again with a spoon.

Strawberry and pineapple sorbet

Ingredients

- 7 strawberries
- approx. 160 g pineapple
- 1 tsp. of shaved coconut

Preparation

After the ingredients have been prepared as described in the section "Preparing ingredients":

- 1) Add the prepared fruits alternately into the feed tube ②.
- 2) Add the coconut shavings to the sorbet and mix everything with a spoon.

Pistachio & berry sorbet

Ingredients

- approx. 100 g berry mixture (e.g. wild berry mixture from the deep-freezer)
- 1 banana
- approx. 15 g shelled and chopped pistachios
- 1 vanilla pod

Preparation

After the ingredients have been prepared as described in the section "Preparing ingredients":

- 1) Scrape the vanilla pulp out of the vanilla pod and paint this on the banana.
- 2) Add the banana and berries into the feed tube ②.
- 3) Add the pistachio nuts to the sorbet and mix everything with a spoon.

Chocolate kiwi sorbet

Ingredients

- 4 kiwis
- 60 g plain chocolate

Preparation

After the ingredients have been prepared as described in the section "Preparing ingredients":

- 1) Add the kiwis and chopped chocolate alternately into the feed tube ②.
- 2) Mix the sorbet produced once again with a spoon.

Raspberry & pear sorbet

Ingredients

- approx. 100 g raspberries
- 2 pears

Preparation

After the ingredients have been prepared as described in the section "Preparing ingredients":

- 1) Add the raspberries and the pears alternately into the feed tube ②.
- 2) Mix the sorbet produced once again with a spoon.

Peach & banana sorbet

Ingredients

- 2 peaches
- 2 bananas
- Juice of half a lemon

Preparation

After the ingredients have been prepared as described in the section "Preparing ingredients":

- 1) Add the bananas and peach pieces alternately into the feed tube ②.
- 2) Add the lemon juice and then mix the sorbet produced with a spoon.

Indholdsfortegnelse

Indledning	12
Anvendelsesområde	12
Pakkens indhold	12
Beskrivelse af produktet	12
Tekniske data	12
Sikkerhedsanvisninger	13
Samling	15
Forberedelse af ingredienserne	15
Anvendelse af produktet	15
Rengøring og vedligeholdelse	16
Opbevaring	17
Garanti og service	17
Bortskaffelse	17
Importør	17
Opskrifter	18
Tropicana-sorbet	18
Melon-bær-sorbet	18
Banan-ananas-sorbet	18
Banan-sorbet	18
Kiwi-mango-sorbet	19
Jordbær-ananas-sorbet	19
Pistacie-bær-sorbet	19
Chokolade-kiwi-sorbet	19
Hindbær-pære-sorbet	20
Fersken-banan-sorbet	20

Indledning

Tillykke med købet af dit nye produkt.

Du har valgt et produkt af høj kvalitet. Betjeningsvejledningen er en del af dette produkt.

Den indeholder vigtige informationer om sikkerhed, anvendelse og bortskaffelse. Du bedes sætte dig ind i alle produktets betjenings- og sikkerhedsanvisninger før brug. Brug kun produktet som beskrevet og kun til de angivne anvendelsesområder. Lad vejledningen følge med produktet, hvis du giver det videre til andre.

Anvendelsesområde

Dette produkt er udelukkende beregnet til tilberedning af sorbet af frosne frugter. Dette produkt er udelukkende beregnet til anvendelse i private husholdninger. Det må ikke anvendes i erhvervs-mæssig sammenhæng.

Pakkens indhold

Sorbetmaskine

Betjeningsvejledning

Beskrivelse af produktet

- 1 Tænd-/slukknop
- 2 Påfyldningsåbning
- 3 Valsehus
- 4 Drivaksel
- 5 Knivvalse
- 6 Stopper
- 7 Stopperlåg
- 8 Endekappe
- 9 Udkast
- 10 Motordel
- 11 Ledningsrum

Tekniske data

Mærkespænding: 220 - 240 V ~ 50 Hz

Strømforbrug: 200 W

Beskyttelsesklasse: II 

Tid for korttidsdrift: 2 minutter

Tid for korttidsdrift

Tiden for korttidsdrift angiver, hvor længe man kan bruge produktet, uden at motoren bliver for varm og tager skade. Efter den angivne korttidsdrift skal produktet slukkes ca. 1 minut, så motoren kan køle af.

Sikkerhedsanvisninger

FARE FOR ELEKTRISK STØD

- ▶ Slut kun produktet til en forskriftsmæssigt installeret stikkontakt med en spænding på 220 - 240 V ~, 50 Hz.
- ▶ Lad beskadigede stik eller ledninger udskifte omgående af en autoriseret reparatør eller kundeservice, så farlige situationer undgås.
- ▶ Træk stikket ud af stikkontakten ved driftsfejl, og før du rengør produktet.
- ▶ Træk altid stikket ud af stikkontakten ved at trække i selve stikket og ikke i ledningen.
- ▶ Ledningen må aldrig knækkes eller mases og heller ikke lægges, så man kan træde på den eller snuble over den.
- ▶ Produktet må ikke udsættes for fugt og ikke bruges udendørs. Hvis der kommer væske ind i huset, skal du straks trække stikket ud af stikkontakten, og få produktet repareret af en autoriseret reparatør.
- ▶ Hold aldrig på motordelen, ledningen eller stikket med våde hænder.
- ▶ Hvis ledningen eller motordelen er beskadiget, skal du lade fagfolk reparere produktet, før du bruger det igen.
- ▶ Huset til motordelen må ikke åbnes. Hvis du gør det, kan sikkerheden ikke garanteres, og garantien bortfalder.
- ▶ Afbryd straks produktet fra strømnettet efter brug. Produktet er kun fuldstændigt strømfrit, når stikket er trukket ud af stikkontakten.



Produktets motordel må aldrig lægges ned i væske, og der må ikke komme væske ind i motordelens hus.

⚠ ADVARSEL! FARE FOR PERSONSKADER!

- ▶ Dette produkt må ikke anvendes af børn.
- ▶ Opbevar produktet og dets ledning utilgængeligt for børn.
- ▶ Dette produkt kan bruges af personer med reducerede fysiske, sensoriske eller mentale evner eller manglende erfaring og/eller viden, hvis de er under opsyn eller er blevet oplært i brugen af produktet og de farer, som kan være forbundet med det.
- ▶ Børn må ikke lege med produktet.
- ▶ Ved arbejde med de skarpe knive er der fare for at komme til skade. Saml produktet igen efter brug og rengøring, så du ikke kommer til skade på de fritliggende knive. Sørg for, at børn ikke kan komme i kontakt med knivene.
- ▶ Produktet og dets tilslutningsledning skal holdes uden for børns rækkevidde.
- ▶ Produktet skal altid afbrydes fra strømforsyningen, hvis det ikke er under opsyn samt inden montering, afmontering eller rengøring.
- ▶ Hold aldrig fingrene ind i produktets åbninger. Stik aldrig genstande af nogen art ind i åbningerne – med undtagelse af stopperen og fødevarerne, der skal forarbejdes. Ellers er der fare for alvorlige ulykker!
- ▶ Før udskiftning af tilbehør eller dele, som bevæger sig under drift, skal produktet slukkes og kobles fra strømnettet.

⚠ OBS! MATERIELLE SKADER!

- ▶ Brug ikke produktet til at knuse is! Det beskadiger produktet!

Samling

- 1) Fjern alle emballagematerialer og eventuelle mærkater fra produktet.
- 2) Rengør produktet som beskrevet i kapitlet "Rengøring og vedligeholdelse".
- 3) Stil motordelen **10** på et plant underlag.
- 4) Sæt knivvalsen **5** ind i valsehuset **3**. Drivakslen **4** skal gå gennem den bageste åbning i valsehuset **3**.
- 5) Skru endekappen **8** på valsehuset **3**, så udkastet **9** vender nedad, og endekappen **8** ikke længere kan drejes. Skru endekappen **8** i urets retning.
- 6) Sæt det monterede valsehus **3** ind i motordelen **10**, så påfyldningsåbningen **2** er forskudt en smule (se figur B på klap-ud-siden). Låsene på valsehuset **3** skal gå ind i udskæringerne på motordelen **10**. Drej valsehuset **3**, så påfyldningsåbningen **2** vender opad, og valsehuset **3** klikker på plads (se figur C på klap-ud-siden).
- 7) Sæt stopperen **6** ind i påfyldningsåbningen **2**.

BEMÆRK

- ▶ Stopperlåget **7** kan tages af.

Aftagning:

- Drej stopperlåget **7** mod urets retning, indtil det kan tages af.

Påsætning:

- Sæt stopperlåget **7** på stopperen **6**, så begge låse på stopperlåget **7** går gennem udskæringerne på stopperen **6**, og drej så stopperlåget **7** i urets retning, så det sidder fast.

- 8) Sæt stikket i en stikkontakt.

Nu er produktet klar til brug.

Forberedelse af ingredienserne

OBS! MATERIELLE SKADER!

- ▶ Brug ikke frugter med sten eller kerner.
- ▶ Brug ikke hele nødder.
- ▶ Brug ikke isterninger.

- ◆ Skræl frugter som bananer eller kiwier.
- ◆ Fjern kerner, sten eller stilke fra frugterne.
- ◆ Skær frugterne i små stykker, så de nemt kan komme gennem i påfyldningsåbningen **2**.
- ◆ Ingredienser som blokchokolade skal knækkes i små stykker.
- ◆ Fyld de forberedte frugter i fryseposer eller -dåser, og læg dem i fryseren (-18°C) i ca. 24 timer.

BEMÆRK

- ▶ I stedet for at fryse friske frugter ned, kan du bruge dybfrosne frugter fra frysedisken.

Anvendelse af produktet

- 1) Tag frugterne ud af fryseren ca. 10 - 20 minutter, før de skal anvendes.
- 2) Stil en velegnet skål under udkastet **9**.
- 3) Tag stopperen **6** ud af påfyldningsåbningen **2**.
- 4) Hæld de forberedte frugter i påfyldningsåbningen **2**.
- 5) Indstil produktet med tænd-/slukknappen **1** (position I).


- 6) Pres frugterne ind i produktet med et let tryk med stopperen **6**. Efter et stykke tid kommer de findelte frugter ud af udkastet **9**. Når stopperen **6** ikke kan presses længere ned, skal du tage den op og fylde flere frugter eller ingredienser i, hvis du ønsker det.

BEMÆRK

- ▶ Hvis du vil lave sorbet af forskellige frugter/ ingredienser, skal du hælde de forskellige frugter skiftevist i påfyldningsåbningen **2**. Så blandes frugterne direkte.
- 7) Når alle frugterne er findelte, stoppes produktet, ved at tænd-/slukknappen **1** stilles på position **O**.
- 8) Træk stikket ud.
- 9) Skru endekappen **8** af, og tag forsigtigt knivvålsen **5** ud af valsehuset **3**.
- 10) Skrab frugtresterne, som sidder mellem knivene på knivvålsen **5** af med en kniv eller lign., og hæld dem i skålen.
- 11) Bland massen i skålen.
- Nu kan du servere sorbeten.

Rengøring og vedligeholdelse

FARE FOR ELEKTRISK STØD

- ▶ Træk altid stikket ud af stikkontakten, før du rengør produktet.
-  Motordelen **10** må aldrig lægges ned i væske, og der må ikke komme væske ind i motordelens hus **10**.

ADVARSEL! FARE FOR PERSONSKADER!

- ▶ Vær forsigtig ved arbejde med knivvålsen **5**.
- ◆ Rengør motordelen **10** efter hver anvendelse med en fugtig klud. Kom et par dråber mildt opvaskemiddel på den fugtige klud, hvis snavset sidder fast. Tør efter med rent vand. Sørg for, at der ikke er rester af opvaskemiddel på produktet, og at produktet er helt tørt, før det bruges igen.
 - ◆ Tag låget **7** af stopperen **6** for at rengøre det.
 - ◆ Skyl stopperen **6**, stopperlåget **7**, knivvålsen **5**, endekappen **8** og valsehuset **3** i lunkent vand med lidt opvaskemiddel.
 - ◆ Sørg for, at alle dele er helt tørre, før de bruges igen.

BEMÆRK

- ▶ Du kan også rengøre stopperen **6**, stopperlåget **7**, endekappen **8** og valsekabinettet **3** i opvaskemaskinen. Læg så vidt muligt delene i den øverste kurv i opvaskemaskinen, og sørg for at delene ikke kommer i klemme. Ellers kan delene miste formen.

Opbevaring

- ◆ Rengør produktet grundigt, før du stiller det væk efter brug.
- ◆ Sæt ledningen og stikket ind i ledningsrummet **II** på undersiden af produktet.
- ◆ Opbevar produktet et rent og tørt sted.

Garanti og service

På dette produkt får du 3 års garanti fra købsdatoen. Produktet er produceret omhyggeligt og inden levering afprøvet samvittighedsfuldt. Opbevar kassebonen som bevis for købet. Kontakt venligst serviceafdelingen telefonisk, hvis du ønsker at gøre brug af garantien. Derved garanteres det, at forsendelsen af varen er gratis.

Garantien gælder kun for materiale- og fabriktionsfejl og ikke for transportskader, sliddele eller beskadigelser på skrøbelige dele som f.eks. kontakter eller batterier. Produktet er kun beregnet til privat og ikke til erhvervs mæssig brug.

Ved misbrug og uhensigtsmæssig brug, anvendelse af vold og ved indgreb, som ikke er foretaget af vores autoriserede serviceafdeling, bortfalder garantien.

Dine juridiske rettigheder forringes ikke af denne garanti.

Garanti perioden forlænges ikke, hvis der gøres brug af garantien. Det gælder også for udskiftede og reparerede dele. Skader og mangler, som eventuelt forefindes allerede ved køb, skal straks anmeldes efter udpakning og senest to dage efter købsdatoen. Når garanti perioden er udløbet, er reparation af skader betalingspligtig.

DK Service Danmark

Tel.: 32 71 0005

E-Mail: kompernass@lidl.dk

IAN 96255

Åbningstid for hotline:

Mandag til fredag fra kl. 8:00 – 20:00 (MET)

Bortskaffelse



Bortskaf ikke produktet sammen med det almindelige husholdningsaffald. Dette produkt er underlagt det europæiske direktiv 2012/19/EU.

Bortskaf produktet via en godkendt bortskaffelsesvirksomhed eller den kommunale genbrugsplads. Følg de aktuelt gældende regler. Henvend dig i tvivlstilfælde til den lokale genbrugsplads.



Emballagen består af miljøvenlige materialer, som kan bortskaffes på de lokale genbrugspladser.

Importør

KOMPERNASS HANDELS GMBH

BURGSTRASSE 21

44867 BOCHUM

GERMANY

www.kompernass.com

Opskrifter

BEMÆRK

Opskrifter uden garanti. Alle oplysninger om ingredienser og tilberedning er vejledende. Supplér disse opskriftsforslag med dine egne erfaringer.

Tropicana-sorbet

Ingredienser

- ca. 160 g ananas
- 1 appelsin
- 1/2 mango (ca. 100 - 150 g)

Tilberedning

Når ingredienserne er forberedt som i kapitlet "Forberedelse af ingredienser":

- 1) Hæld skiftevist stykker af ananas, appelsiner og mango i påfyldningsåbningen ②.
- 2) Rør rundt i sorbeten med en ske.

Melon-bær-sorbet

Ingredienser

- ca. 200 g honningmelon
- ca. 100 g blandede bær (f.eks. blanding af skovbær fra fryseren)
- 2 spsk. kokos- eller chokoladeflager

Tilberedning

Når ingredienserne er forberedt som i kapitlet "Forberedelse af ingredienser":

- 1) Hæld skiftevist stykker af honningmelon og bær i påfyldningsåbningen ②.
- 2) Hæld kokos- eller chokoladeflagerne i sorbetmassen, og bland den med en ske.

Banan-ananas-sorbet

Ingredienser

- 1 banan
- ca. 160 g ananas
- 1 tsk. kokosflager

Tilberedning

Når ingredienserne er forberedt som i kapitlet "Forberedelse af ingredienser":

- 1) Hæld bananen i påfyldningsåbningen ②, og pres dem ned i produktet med stopperen ⑥. Tilsæt derefter ananasstykkerne.
- 2) Hæld kokosflagerne i sorbetmassen, og bland den med en ske.

Banan-sorbet

Ingredienser

- 2 bananer
- 60 g mørk chokolade

Tilberedning

Når ingredienserne er forberedt som i kapitlet "Forberedelse af ingredienser":

- 1) Hæld en banan i påfyldningsåbningen ②.
- 2) Hæld den mørke chokolade i påfyldningsåbningen ②.
- 3) Hæld den anden banan i påfyldningsåbningen ②.

Kiwi-mango-sorbet

Ingredienser

- 3 kiwier
- 1/2 mango (ca. 100 - 150 g)

Tilberedning

Når ingredienserne er forberedt som i kapitlet "Forberedelse af ingredienser":

- 1) Hæld frugterne skiftevist i påfyldningsåbningen ②.
- 2) Rør rundt i sorbeten med en ske.

Jordbær-ananas-sorbet

Ingredienser

- 7 jordbær
- ca. 160 g ananas
- 1 tsk. kokosflager

Tilberedning

Når ingredienserne er forberedt som i kapitlet "Forberedelse af ingredienser":

- 1) Hæld frugterne skiftevist i påfyldningsåbningen ②.
- 2) Hæld kokosflagerne i sorbetmassen, og bland den med en ske.

Pistacie-bær-sorbet

Ingredienser

- ca. 100 g blandede bær (f.eks. blanding af skovbær fra fryseren)
- 1 banan
- ca. 15 g afskallede og hakkede pistacienødder
- 1 stang vanilje

Tilberedning

Når ingredienserne er forberedt som i kapitlet "Forberedelse af ingredienser":

- 1) Skrab vaniljekornene fra vaniljestangen, og smør dem på bananen.
- 2) Hæld bananen og bærrerne i påfyldningsåbningen ②.
- 3) Hæld pistacienødderne i sorbetmassen, og bland den med en ske.

Chokolade-kiwi-sorbet

Ingredienser

- 4 kiwier
- 60 g mørk chokolade

Tilberedning

Når ingredienserne er forberedt som i kapitlet "Forberedelse af ingredienser":

- 1) Hæld skiftevist kiwierne og den findelte mørke chokolade i påfyldningsåbningen ②.
- 2) Rør rundt i sorbeten med en ske.

Hindbær-pære-sorbet

Ingredienser

- ca. 100 g hindbær
- 2 pærer

Tilberedning

Når ingredienserne er forberedt som i kapitlet "Forberedelse af ingredienser":

- 1) Hæld skiftevist hindbærrene og pærerne i påfyldningsåbningen ②.
- 2) Rør rundt i sorbeten med en ske.

Fersken-banan-sorbet

Ingredienser

- 2 ferskner
- 2 bananer
- Saft fra en halv citron

Tilberedning

Når ingredienserne er forberedt som i kapitlet "Forberedelse af ingredienser":

- 1) Hæld skiftevist bananerne og ferskenstykkerne i påfyldningsåbningen ②.
- 2) Tilsæt citronsaften, og rør sorbeten igennem med en ske.

Inhoud

Inleiding	22
Gebruik in overeenstemming met bestemming	22
Inhoud van het pakket	22
Productbeschrijving	22
Technische gegevens	22
Veiligheidsvoorschriften	23
Montage	25
Ingrediënten prepareren	25
Apparaat gebruiken	25
Reiniging en onderhoud	26
Opbergen	27
Garantie en service	27
Afvoeren	27
Importeur	27
Recepten	28
Tropicana-sorbet	28
Meloen-bessen-sorbet	28
Banaan-ananas-sorbet	28
Banaan-sorbet	28
Kiwi-mango-sorbet	29
Aardbei-ananas-sorbet	29
Pistache-bessen-sorbet	29
Chocola-kiwi-sorbet	29
Framboos-peer-sorbet	30
Perzik-banaan-sorbet	30

Inleiding

Hartelijk gefeliciteerd met de aankoop van uw nieuwe apparaat.

U hebt hiermee gekozen voor een hoogwaardig product. De gebruiksaanwijzing maakt deel uit van dit product. Deze bevat belangrijke aanwijzingen voor veiligheid, gebruik en afvoer. Lees alle bedienings- en veiligheidsaanwijzingen voordat u het product in gebruik neemt. Gebruik het product uitsluitend op de voorgeschreven wijze en voor de aangegeven doeleinden. Geef alle documenten mee als u het product doorgeeft aan een derde.

Gebruik in overeenstemming met bestemming

Dit apparaat dient uitsluitend voor het maken van sorbets van bevroren fruit. Dit apparaat is uitsluitend bestemd voor gebruik in privéhuishoudens. Gebruik het apparaat niet bedrijfsmatig.

Inhoud van het pakket

Sorbet maker

Gebruiksaanwijzing

Productbeschrijving

- 1 Aan-/uitknop
- 2 Vulschacht
- 3 Rolbehuizing
- 4 Aandrijfas
- 5 Messenrol
- 6 Stopper
- 7 Deksel stopper
- 8 Eindkap
- 9 Uitworp
- 10 Motorblok
- 11 Snoeropbergvak

Technische gegevens

Nominale spanning: 220 - 240 V ~, 50 Hz

Vermogen: 200 W

Beschermingsklasse: II 

KB-tijd: 2 minuten

KB-tijd

De KB-tijd (kort bedrijf) geeft aan hoe lang een apparaat kan worden bediend, zonder dat de motor oververhit en beschadigd raakt. Na de aangegeven KB-tijd moet het apparaat ong. 1 minuut worden uitgeschakeld zodat de motor kan afkoelen.

Veiligheidsvoorschriften

GEVAAR VOOR ELEKTRISCHE SCHOK

- ▶ Sluit het apparaat uitsluitend aan op een volgens de voorschriften geïnstalleerd stopcontact met een netspanning van 220 - 240 V ~, 50 Hz.
- ▶ Laat beschadigde stekkers en snoeren onmiddellijk door erkend en vakkundig personeel of door de klantenservice vervangen, zodat risico's worden vermeden.
- ▶ Haal bij storing van het apparaat en voordat u het apparaat schoonmaakt de stekker uit het stopcontact.
- ▶ Trek het snoer altijd aan de stekker uit het stopcontact, trek niet aan het snoer zelf.
- ▶ Knik of plet het snoer niet en leidt het snoer zodanig dat niemand erop kan gaan staan of erover kan struikelen.
- ▶ Stel het apparaat niet bloot aan vocht en gebruik het niet in de openlucht. Mocht er toch een keer vloeistof in de behuizing van het apparaat komen, haal dan direct de stekker van het apparaat uit het stopcontact en laat het apparaat door gekwalificeerd deskundig personeel repareren.
- ▶ Pak het motorblok, het snoer of de stekker nooit met natte handen vast.
- ▶ Wanneer het snoer of het motorblok beschadigd is, dient u het apparaat door deskundig personeel te laten repareren voordat u het opnieuw gebruikt.
- ▶ U mag de behuizing van het motorblok van het apparaat niet openen. In dat geval is de veiligheid niet gegarandeerd en vervalt de garantie.
- ▶ Koppel het apparaat meteen na gebruik los van het lichtnet. Alleen wanneer u de stekker uit het stopcontact trekt, is het apparaat helemaal spanningsloos.



Dompel het motorblok van het apparaat in geen geval onder in vloeistoffen en voorkom dat er vloeistoffen in de behuizing van het motorblok komen.

⚠ WAARSCHUWING! LETSELGEVAAR!

- ▶ Dit apparaat mag niet door kinderen worden gebruikt.
- ▶ Berg het apparaat en het snoer altijd buiten bereik van kinderen op.
- ▶ Dit apparaat mag worden gebruikt door personen met beperkte fysieke, zintuiglijke of geestelijke vermogens of gebrek aan ervaring en/of kennis, mits ze onder toezicht staan of over het veilige gebruik van het apparaat zijn geïnstrueerd en de daaruit resulterende gevaren hebben begrepen.
- ▶ Kinderen mogen niet met het apparaat spelen.
- ▶ Er bestaat letselgevaar bij de omgang met de scherpe messen. Zet het apparaat na gebruik en reiniging weer in elkaar, zodat u zich niet aan de blootliggende messen kunt verwonden. Zorg dat kinderen niet bij de messen kunnen komen.
- ▶ Houd het apparaat en het bijbehorende snoer buiten bereik van kinderen.
- ▶ Het apparaat moet altijd van het lichtnet worden losgekoppeld indien er geen toezicht is, en voor montage, demontage of reiniging.
- ▶ Grijp nooit in openingen van het apparaat. Steek nooit welk voorwerp dan ook in de openingen – met uitzondering van de stopper en de te verwerken levensmiddelen. Anders bestaat er aanzienlijk gevaar voor ongelukken!
- ▶ U dient het apparaat uit te schakelen en de stekker uit het stopcontact te trekken voordat u accessoires of hulpstukken verwisselt, die bij gebruik in beweging zijn.

LET OP! MATERIËLE SCHADE!

- ▶ Probeer met dit apparaat geen ijsblokjes te vermalen! Dat leidt tot schade aan het apparaat!

Montage

- 1) Verwijder het verpakkingsmateriaal en eventuele etiketten van het apparaat.
- 2) Reinig het apparaat zoals beschreven in het hoofdstuk "Reiniging en onderhoud".
- 3) Plaats het motorblok **10** op een vlakke ondergrond.
- 4) Schuif de messenrol **5** in de rolbehuizing **3**. De aandrijfas **4** moet daarbij door de achterste opening van de rolbehuizing **3** steken.
- 5) Schroef de eindkap **8** zo ver op de rolbehuizing **3**, dat de uitworp **9** omlaag wijst en de eindkap **8** niet verder kan worden gedraaid. Draai daarbij de eindkap **8** met de wijzers van de klok mee.
- 6) Steek de gemonteerde rolbehuizing **3** in het motorblok **10**, zodat de vulschacht **2** iets is verschoven (zie afbeelding B op de uitvouwpagina). De vergrendelingen van de rolbehuizing **3** moeten daarbij in de uitsparingen van het motorblok **10** grijpen. Draai de rolbehuizing **3**, zodat de vulschacht **2** omhoog wijst en de rolbehuizing **3** vastklikt (zie afbeelding C op de uitvouwpagina).
- 7) Schuif de stopper **6** in de vulschacht **2**.

OPMERKING

- Het deksel van de stopper **7** kan worden afgenomen.

Afnemen:

- Draai het deksel van de stopper **7** tegen de wijzers van de klok in tot het kan worden afgenomen.

Bevestigen:

- Plaats het deksel van de stopper **7** zodanig op de stopper **6**, dat de beide vergrendelingen op het deksel van de stopper **7** door de uitsparingen in de stopper **6** glijden en draai daarna het deksel van de stopper **7** met de wijzers van de klok mee tot het vastzit.

- 8) Steek de stekker in een stopcontact. Nu is het apparaat gereed voor gebruik.

Ingrediënten prepareren

LET OP! MATERIËLE SCHADE!

- Verwerk geen vruchten met pitten of kernen.
- Verwerk geen hele noten.
- Verwerk geen ijsklontjes.

- ◆ Ontdoe vruchten zoals bananen of kiwi's van hun schil.
- ◆ Verwijder kernen, pitten of stelen van de vruchten.
- ◆ Snijd de vruchten in kleine stukjes, zodat ze probleemloos door de vulschacht **2** passen.
- ◆ Ingrediënten zoals stukken chocola moeten in kleine stukjes worden gehakt.
- ◆ Doe de geprepareerde vruchten in een diepvrieszak of -doos en leg ze ca. 24 uur in het vriesvak (-18°C).

OPMERKING

- In plaats van vers fruit in te vriezen, kunt u ook kant-en-klaar diepgevroren fruit uit de vriezer gebruiken.

Apparaat gebruiken

- 1) Haal de vruchten ca. 10 - 20 minuten voor gebruik uit het vriesvak.
- 2) Plaats een geschikte kom onder de uitworp **9**.
- 3) Haal de stopper **6** uit de vulschacht **2**.
- 4) Doe de voorbereide vruchten in de vulschacht **2**.
- 5) Zet het apparaat aan met de aan-/uitknop **1** (stand I).

- 6) Schuif de vruchten met behulp van de stopper **6** onder lichte druk in het apparaat. Na enige tijd komt het vermalen fruit uit de uitworp **9**. Wanneer de stopper **6** niet verder omlaag kan worden gedrukt, neemt u deze uit de vulschacht en voegt u desgewenst nog meer fruit of andere ingrediënten toe.

OPMERKING

- ▶ Wanneer u een sorbet wilt maken van verschillende vruchten/ingrediënten, doet u de verschillende vruchten/ingrediënten afwisselend in de vulschacht **2**. Zo worden de vruchten meteen gemengd.

- 7) Wanneer alle vruchten zijn vermalen, zet u de aan-/uitknop **1** op de stand **O** om het apparaat uit te zetten.
- 8) Haal de stekker uit het stopcontact.
- 9) Schroef de eindkap **8** van de messenrol en trek de messenrol **5** voorzichtig uit de rolbehuizing **3**.
- 10) Schraap met een mes of iets dergelijks de vruchtrestanten die zich tussen de messen op de messenrol **5** bevinden af en doe ze ook in de kom.
- 11) Meng de massa in de kom.
- U kunt de sorbet nu serveren.

Reiniging en onderhoud

⚠ GEVAAR VOOR ELEKTRISCHE SCHOK

- ▶ Trek altijd de stekker uit het stopcontact voordat u het apparaat reinigt.



Dompel het motorblok **10** in geen geval onder in vloeistoffen en voorkom dat er vloeistoffen in de behuizing van het motorblok **10** komen.

⚠ WAARSCHUWING! LETSELGEVAAR!

- ▶ Ga voorzichtig om met de messenrol **5**.
- ◆ Reinig het motorblok **10** na elk gebruik met een vochtige doek. Breng bij hardnekkige vuilresten een mild afwasmiddel aan op de doek. Veeg het motorblok daarna met schoon water af. Controleer of er geen resten van afwasmiddel op het apparaat zijn achtergebleven en of het apparaat volledig droog is voordat u het opnieuw gebruikt.
- ◆ Haal voor het reinigen het deksel van de stopper **7** van de stopper **6** af.
- ◆ Was de stopper **6**, het deksel van de stopper **7**, de messenrol **5**, de eindkap **8** en de rolbehuizing **3** in lauw water met wat afwasmiddel af.
- ◆ Zorg dat alle onderdelen weer volledig zijn opgedroogd voordat u het apparaat opnieuw gebruikt.

OPMERKING

- ▶ U kunt de stopper **6**, het deksel van des stopper **7**, de eindkap **8** en de rolbehuizing **3** ook in de vaatwasser reinigen. Leg de onderdelen zo mogelijk in het bovenste gedeelte van de vaatwasser en zorg ervoor dat geen van de onderdelen ingeklemd raakt. Anders kunnen er vervormingen optreden.

NL
BE

Opbergen

- ◆ Reinig het apparaat grondig voordat u het opbergt.
- ◆ Doe het snoer en de stekker in het snoeropbergvak **II** aan de onderkant van het apparaat.
- ◆ Bewaar het apparaat op een schone en droge plaats.

Garantie en service

U hebt op dit apparaat 3 jaar garantie vanaf de aankoopdatum. Het apparaat is met de grootste mogelijke zorg vervaardigd en voorafgaand aan de levering nauwkeurig gecontroleerd.

Bewaar de kassabon als bewijs van aankoop. Neem telefonisch contact op met uw servicepunt, mocht u aanspraak willen maken op de garantie. Alleen op die manier is een kosteloze verzending van uw product gegarandeerd.

De garantie geldt uitsluitend voor materiaal- of fabricagefouten, echter niet voor transportschade, niet voor onderdelen die onderhevig zijn aan slijtage of voor beschadigingen van breekbare delen, bijv. schakelaars of accu's. Het product is uitsluitend bestemd voor privégebruik en niet voor bedrijfsmatige doeleinden.

Bij verkeerd gebruik en ondeskundige behandeling, bij gebruik van geweld en bij reparaties die niet door ons erkend servicefiliaal zijn uitgevoerd, vervalt de garantie.

Uw wettelijke rechten worden door deze garantie niet beperkt.

De garantieperiode wordt door deze waarborg niet verlengd. Dat geldt ook voor vervangen en gerepareerde onderdelen. Eventueel al bij aankoop aanwezige schade en gebreken moeten meteen na het uitpakken worden gemeld, echter uiterlijk twee dagen na de aankoopdatum. Voor reparaties na afloop van de garantieperiode worden kosten in rekening gebracht.

NL Service Nederland

Tel.: 0900 0400223 (0,10 EUR/Min.)

E-Mail: kompernass@lidl.nl

IAN 96255

BE Service België

Tel.: 070 270 171 (0,15 EUR/Min.)

E-Mail: kompernass@lidl.be

IAN 96255

Bereikbaarheid hotline:

Maandag t/m vrijdag van 8:00 tot 20:00 uur (CET)

Afvoeren



Gooi het apparaat in geen geval weg bij het gewone huisvuil. Dit product voldoet aan de Europese richtlijn 2012/19/EU.

Voer het apparaat af via een erkend afvalverwerkingsbedrijf of via uw gemeentereiniging. Neem de momenteel geldende voorschriften in acht. Neem bij twijfel contact op met de verantwoordelijke instantie.



De verpakking bestaat uit milieuvriendelijke materialen, die u via de plaatselijke recyclepunten kunt afvoeren.

Importeur

KOMPERNASS HANDELS GMBH

BURGSTRASSE 21

44867 BOCHUM

GERMANY

www.kompernass.com

Recepten

OPMERKING

Wij aanvaarden geen aansprakelijkheid voor de recepten. Alle gegevens m.b.t. ingrediënten en bereiding zijn richtwaarden. Vul deze receptsuggesties aan met uw persoonlijke bevindingen.

Tropicana-sorbet

Ingrediënten

- ca. 160 g ananas
- 1 sinaasappel
- 1/2 mango (ca. 100 - 150 g)

Bereiding

Nadat de ingrediënten zijn geprepareerd zoals beschreven in het hoofdstuk "Ingrediënten prepareren":

- 1) Doe afwisselend partjes ananas, sinaasappel en mango in de vulschacht ②.
- 2) Meng de zo gemaakte sorbet nog een keer met een lepel.

Meloen-bessen-sorbet

Ingrediënten

- ca. 200 g honingmeloen
- ca. 100 g bessenmix (bijv. bosbessenmix uit de vriezer)
- 2 EL geraspte kokos of chocola

Bereiding

Nadat de ingrediënten zijn geprepareerd zoals beschreven in het hoofdstuk "Ingrediënten prepareren":

- 1) Doe afwisselend partjes honingmeloen en bessen in de vulschacht ②.
- 2) Voeg de geraspte kokos of chocola toe aan de sorbetmassa en meng alles met een lepel.

Banaan-ananas-sorbet

Ingrediënten

- 1 banaan
- ca. 160 g ananas
- 1 TL geraspte kokos

Bereiding

Nadat de ingrediënten zijn geprepareerd zoals beschreven in het hoofdstuk "Ingrediënten prepareren":

- 1) Doe de banaan in de vulschacht ② en schuif deze met de stopper ⑥ in het apparaat. Voeg dan de partjes ananas toe.
- 2) Voeg de geraspte kokos toe aan de sorbetmassa en meng alles met een lepel.

Banaan-sorbet

Ingrediënten

- 2 bananen
- 60 g pure chocola

Bereiding

Nadat de ingrediënten zijn geprepareerd zoals beschreven in het hoofdstuk "Ingrediënten prepareren":

- 1) Doe een banaan in de vulschacht ②.
- 2) Doe de pure chocola in de vulschacht ②.
- 3) Doe de tweede banaan in de vulschacht ②.

Kiwi-mango-sorbet

Ingrediënten

- 3 kiwi's
- 1/2 mango (ca. 100 - 150 g)

Bereiding

Nadat de ingrediënten zijn geprepareerd zoals beschreven in het hoofdstuk "Ingrediënten prepareren":

- 1) Doe afwisselend de geprepareerde vruchten in de vulschacht ②.
- 2) Meng de zo gemaakte sorbet nog een keer met een lepel.

Aardbei-ananas-sorbet

Ingrediënten

- 7 aardbeien
- ca. 160 g ananas
- 1 TL geraspte kokos

Bereiding

Nadat de ingrediënten zijn geprepareerd zoals beschreven in het hoofdstuk "Ingrediënten prepareren":

- 1) Doe afwisselend de geprepareerde vruchten in de vulschacht ②.
- 2) Voeg de geraspte kokos toe aan de sorbet-massa en meng alles met een lepel.

Pistache-bessen-sorbet

Ingrediënten

- ca. 100 g bessenmix (bijv. bosbessenmix uit de vriezer)
- 1 banaan
- ca. 15 g gedopte en fijngehakte pistachenoten
- 1 vanillestokje

Bereiding

Nadat de ingrediënten zijn geprepareerd zoals beschreven in het hoofdstuk "Ingrediënten prepareren":

- 1) Schraap het vanillemerg uit het vanillestokje en bestrijk de banaan hiermee.
- 2) Doe de banaan en de bessen in de vulschacht ②.
- 3) Voeg de pistachenoten toe aan de sorbetmassa en meng alles met een lepel.

Chocola-kiwi-sorbet

Ingrediënten

- 4 kiwi's
- 60 g pure chocola

Bereiding

Nadat de ingrediënten zijn geprepareerd zoals beschreven in het hoofdstuk "Ingrediënten prepareren":

- 1) Doe afwisselend de kiwi's en de gehakte pure chocola in de vulschacht ②.
- 2) Meng de zo gemaakte sorbet nog een keer met een lepel.

Framboos-peer-sorbet

Ingrediënten

- ca. 100 g frambozen
- 2 peren

Bereiding

Nadat de ingrediënten zijn geprepareerd zoals beschreven in het hoofdstuk "Ingrediënten prepareren":

- 1) Doe afwisselend de frambozen en de peren in de vulschacht ②.
- 2) Meng de zo gemaakte sorbet nog een keer met een lepel.

Perzik-banaan-sorbet

Ingrediënten

- 2 perziken
- 2 bananen
- Sap van een halve citroen

Bereiding

Nadat de ingrediënten zijn geprepareerd zoals beschreven in het hoofdstuk "Ingrediënten prepareren":

- 1) Doe afwisselend de bananen en de partjes perzik in de vulschacht ②.
- 2) Voeg het citroensap toe en meng de zo gemaakte sorbet nog een keer met een lepel.

Inhaltsverzeichnis


Einleitung	32
Bestimmungsgemäßer Gebrauch	32
Lieferumfang	32
Gerätebeschreibung	32
Technische Daten	32
Sicherheitshinweise	33
Zusammenbau	35
Zutaten vorbereiten	35
Gerät benutzen	35
Reinigen und Pflegen	36
Lagerung	37
Garantie und Service	37
Entsorgung	37
Importeur	37
Rezepte	38
Tropicana-Sorbet	38
Melonen-Beeren-Sorbet	38
Bananen-Ananas-Sorbet	38
Bananen-Sorbet	38
Kiwi-Mango-Sorbet	39
Erdbeer-Ananas-Sorbet	39
Pistazien-Beeren-Sorbet	39
Schokoladen-Kiwi-Sorbet	39
Himbeer-Birnen-Sorbet	40
Pfirsich-Bananen-Sorbet	40

Einleitung

Herzlichen Glückwunsch zum Kauf Ihres neuen Gerätes.

Sie haben sich damit für ein hochwertiges Produkt entschieden. Die Bedienungsanleitung ist Bestandteil dieses Produkts. Sie enthält wichtige Hinweise für Sicherheit, Gebrauch und Entsorgung. Machen Sie sich vor der Benutzung des Produkts mit allen Bedien- und Sicherheitshinweisen vertraut. Benutzen Sie das Produkt nur wie beschrieben und für die angegebenen Einsatzbereiche. Händigen Sie alle Unterlagen bei Weitergabe des Produkts an Dritte mit aus.

Technische Daten

Nennspannung:	220 - 240 V ~, 50 Hz
Aufnahmeleistung:	200 W
Schutzklasse:	II 
KB-Zeit:	2 Minuten

KB-Zeit

Die KB-Zeit (Kurzbetriebszeit) gibt an, wie lange man ein Gerät betreiben kann, ohne dass der Motor überhitzt und Schaden nimmt. Nach der angegebenen KB-Zeit muss das Gerät ca. 1 Minute ausgeschaltet werden, so dass sich der Motor abkühlen kann.

Bestimmungsgemäßer Gebrauch

Dieses Gerät dient ausschließlich der Herstellung von Sorbet aus gefrorenen Früchten. Dieses Gerät ist ausschließlich für die Benutzung in privaten Haushalten bestimmt. Benutzen Sie es nicht gewerblich.

Lieferumfang

Sorbet-Maker

Bedienungsanleitung

Gerätebeschreibung

- 1 Ein-/Aus-Schalter
- 2 Einfüllschacht
- 3 Walzengehäuse
- 4 Antriebswelle
- 5 Messerwalze
- 6 Stopfer
- 7 Stopferdeckel
- 8 Endkappe
- 9 Auswurf
- 10 Motorblock
- 11 Kabelstufach

Sicherheitshinweise

STROMSCHLAGGEFAHR

- ▶ Schließen Sie das Gerät nur an eine vorschriftsmäßig installierte Netzsteckdose mit einer Netzspannung von 220 - 240 V ~, 50 Hz an.
- ▶ Lassen Sie beschädigte Netzstecker oder Netzkabel sofort von autorisiertem Fachpersonal oder dem Kundenservice austauschen, um Gefährdungen zu vermeiden.
- ▶ Ziehen Sie bei Betriebsstörungen und bevor Sie das Gerät reinigen den Netzstecker aus der Netzsteckdose.
- ▶ Ziehen Sie das Netzkabel stets am Stecker aus der Netzsteckdose, ziehen Sie nicht am Kabel selbst.
- ▶ Knicken oder quetschen Sie das Netzkabel nicht und verlegen Sie das Netzkabel so, dass niemand darauf treten oder darüber stolpern kann.
- ▶ Sie dürfen das Gerät keiner Feuchtigkeit aussetzen und nicht im Freien benutzen. Falls doch einmal Flüssigkeit in das Gerätegehäuse gelangt, ziehen Sie sofort den Netzstecker des Geräts aus der Netzsteckdose und lassen Sie es von qualifiziertem Fachpersonal reparieren.
- ▶ Fassen Sie den Motorblock, das Netzkabel oder den Netzstecker nie mit nassen Händen an.
- ▶ Wenn das Netzkabel oder der Motorblock beschädigt sind, müssen Sie das Gerät von Fachpersonal reparieren lassen, bevor Sie es erneut verwenden.
- ▶ Sie dürfen das Motorblock-Gehäuse des Gerätes nicht öffnen. In diesem Falle ist die Sicherheit nicht gegeben und die Gewährleistung erlischt.
- ▶ Trennen Sie das Gerät sofort nach dem Gebrauch vom Stromnetz. Nur wenn Sie den Netzstecker aus der Netzsteckdose ziehen, ist es vollständig stromfrei.



Sie dürfen den Motorblock des Gerätes keinesfalls in Flüssigkeit tauchen und keine Flüssigkeiten in das Gehäuse des Motorblocks gelangen lassen.

⚠️ WARNUNG! VERLETZUNGSGEFAHR!

- ▶ Dieses Gerät darf nicht von Kindern benutzt werden.
- ▶ Bewahren Sie das Gerät und sein Netzkabel außer Reichweite von Kindern auf.
- ▶ Dieses Gerät kann von Personen mit reduzierten physischen, sensorischen oder mentalen Fähigkeiten oder Mangel an Erfahrung und/oder Wissen benutzt werden, wenn sie beaufsichtigt oder bezüglich des sicheren Gebrauchs des Gerätes unterwiesen wurden und die daraus resultierenden Gefahren verstanden haben.
- ▶ Kinder dürfen nicht mit dem Gerät spielen.
- ▶ Beim Umgang mit den scharfen Messern besteht Verletzungsgefahr. Setzen Sie das Gerät nach Benutzung und Reinigung wieder zusammen, damit Sie sich nicht an freiliegenden Messern verletzen. Machen Sie die Messer für Kinder unzugänglich.
- ▶ Das Gerät und seine Anschlussleitung sind von Kindern fernzuhalten.
- ▶ Das Gerät ist bei nicht vorhandener Aufsicht und vor dem Zusammenbau, dem Auseinandernehmen oder Reinigen stets vom Netz zu trennen.
- ▶ Fassen Sie niemals in Öffnungen am Gerät. Führen Sie niemals irgendwelche Gegenstände dort hinein – mit Ausnahme des Stopfers und den zu verarbeitenden Lebensmitteln. Andernfalls kann erhebliche Unfallgefahr bestehen!
- ▶ Vor dem Auswechseln von Zubehör oder Zusatzteilen, die im Betrieb bewegt werden, muss das Gerät ausgeschaltet und vom Netz getrennt sein.

ACHTUNG! SACHSCHADEN!

- ▶ Versuchen Sie nicht, Eiswürfel mit diesem Gerät zu zerkleinern! Das führt zu Schäden am Gerät!

Zusammenbau

- 1) Entfernen Sie das Verpackungsmaterial und eventuelle Aufkleber vom Gerät.
- 2) Reinigen Sie das Gerät wie im Kapitel „Reinigen und Pflegen“ beschrieben.
- 3) Stellen Sie den Motorblock **10** auf einen ebenen Untergrund.
- 4) Schieben Sie die Messerwalze **5** in das Walzengehäuse **3**. Die Antriebswelle **4** muss dabei durch die hintere Öffnung des Walzengehäuses **3** ragen.
- 5) Schrauben Sie die Endkappe **8** so weit auf das Walzengehäuse **3**, dass der Auswurf **9** nach unten weist und sich die Endkappe **8** nicht weiter drehen lässt. Drehen Sie dabei die Endkappe **8** im Uhrzeigersinn.
- 6) Stecken Sie das montierte Walzengehäuse **3** in den Motorblock **10**, so dass der Einfüllschacht **2** leicht versetzt ist (siehe Abbildung B auf der Ausklappseite). Die Arretierungen am Walzengehäuse **3** müssen dabei in die Aussparungen am Motorblock **10** greifen. Drehen Sie das Walzengehäuse **3**, so dass der Einfüllschacht **2** nach oben weist und das Walzengehäuse **3** einrastet (siehe Abbildung C auf der Ausklappseite).
- 7) Schieben Sie den Stopfer **6** in den Einfüllschacht **2**.

HINWEIS

- ▶ Der Stopferdeckel **7** kann abgenommen werden.

Zum Abnehmen:

- Drehen Sie den Stopferdeckel **7** so weit gegen den Uhrzeigersinn, bis dieser sich abnehmen lässt.

Zum Aufsetzen:

- Setzen Sie den Stopferdeckel **7** so auf den Stopfer **6**, dass die beiden Arretierungen am Stopferdeckel **7** durch die Aussparungen am Stopfer **6** gleiten und drehen Sie dann den Stopferdeckel **7** im Uhrzeigersinn, so dass er fest sitzt.

- 8) Stecken Sie den Netzstecker in eine Netzsteckdose.

Das Gerät ist nun betriebsbereit.

Zutaten vorbereiten

ACHTUNG! SACHSCHADEN!

- ▶ Verarbeiten Sie keine Früchte mit Steinen oder Kernen.
- ▶ Verarbeiten Sie keine ganzen Nüsse.
- ▶ Verarbeiten Sie keine Eiswürfel.

- ◆ Schälen Sie Früchte wie Bananen oder Kiwis.
- ◆ Entfernen Sie Kerne, Steine oder Stiele von den Früchten.
- ◆ Schneiden Sie die Früchte in kleine Stücke, so dass diese problemlos durch den Einfüllschacht **2** passen.
- ◆ Zutaten wie Blockschokolade müssen in kleine Stücke zerstoßen werden.
- ◆ Füllen Sie die vorbereiteten Früchte in Gefrierbeutel oder -dosen und legen Sie diese ca. 24 Stunden ins Gefrierfach (-18°C).

HINWEIS

- ▶ Anstatt frische Früchte einzufrieren, können Sie auch bereits fertig tiefgekühlte Früchte aus der Tiefkühltruhe verwenden.

Gerät benutzen

- 1) Nehmen Sie die Früchte ca. 10 - 20 Minuten bevor Sie diese verwenden aus dem Gefrierfach.
- 2) Stellen Sie eine passende Schüssel unter den Auswurf **9**.
- 3) Nehmen Sie den Stopfer **6** aus dem Einfüllschacht **2**.
- 4) Geben Sie die vorbereiteten Früchte in den Einfüllschacht **2**.
- 5) Stellen Sie das Gerät am Ein-/Aus-Schalter **1** ein (Position I).

- 6) Schieben Sie die Früchte mit Hilfe des Stopfers **6** unter leichtem Druck in das Gerät. Nach einiger Zeit kommt aus dem Auswurf **9** die zerkleinerte Frucht. Wenn sich der Stopfer **6** nicht weiter herunter drücken lässt, nehmen Sie ihn heraus und füllen Sie, wenn gewünscht, noch weitere Früchte oder Zutaten ein.

HINWEIS

- ▶ Wenn Sie ein Sorbet aus verschiedenen Früchten/Zutaten herstellen wollen, geben Sie die verschiedenen Früchte abwechselnd in den Einfüllschacht **2**. So werden die Früchte direkt gemischt.

- 7) Wenn alle Früchte zerkleinert sind, stoppen Sie das Gerät, indem Sie den Ein-/Aus-Schalter **1** in die Position O bringen.
- 8) Ziehen Sie den Netzstecker.
- 9) Schrauben Sie die Endkappe **8** ab und ziehen Sie die Messerwalze **5** vorsichtig aus dem Walzengehäuse **3**.
- 10) Schaben Sie mit einem Messer ö. ä. die Fruchtreste, die sich zwischen den Messern an der Messerwalze **5** befinden ab und geben Sie diese mit in die Schüssel.
- 11) Vermischen Sie die Masse in der Schüssel. Sie können das Sorbet nun servieren.

Reinigen und Pflegen

STROMSCHLAGGEFAHR

- ▶ Ziehen Sie immer den Netzstecker aus der Netzsteckdose, bevor Sie das Gerät reinigen.



Sie dürfen den Motorblock **10** keinesfalls in Flüssigkeit tauchen und keine Flüssigkeiten in das Gehäuse des Motorblocks **10** gelangen lassen.

WARNUNG! VERLETZUNGSGEFAHR!

- ▶ Seien Sie vorsichtig im Umgang mit der Messerwalze **5**.

- ◆ Reinigen Sie den Motorblock **10** nach jeder Benutzung mit einem feuchten Tuch. Geben Sie bei hartnäckigen Verschmutzungen ein mildes Spülmittel auf das Tuch. Wischen Sie dann mit klarem Wasser nach. Stellen Sie sicher, dass sich keine Spülmittelreste am Gerät befinden und dass das Gerät vor der erneuten Benutzung vollständig trocken ist.
- ◆ Nehmen Sie zum Reinigen den Stopferdeckel **7** vom Stopfer **6** ab.
- ◆ Spülen Sie den Stopfer **6**, den Stopferdeckel **7**, die Messerwalze **5**, die Endkappe **8** und das Walzengehäuse **3** in lauwarmen Wasser mit etwas Spülmittel.
- ◆ Stellen Sie sicher, dass vor der erneuten Benutzung alle Teile wieder vollständig getrocknet sind.

HINWEIS

- ▶ Sie können den Stopfer **6**, den Stopferdeckel **7**, die Endkappe **8** und das Walzengehäuse **3** auch in der Spülmaschine reinigen.

Legen Sie die Teile, wenn möglich, in den oberen Korb der Spülmaschine und achten Sie darauf, dass keines der Teile eingeklemmt wird. Ansonsten kann es zu Verformungen kommen.

Lagerung

- ◆ Reinigen Sie das Gerät vor dem Verstauen gründlich.
- ◆ Schieben Sie das Kabel und den Stecker in das Kabelstufach **11** an der Unterseite des Gerätes.
- ◆ Bewahren Sie das Gerät an einem sauberen und trockenen Ort auf.

Garantie und Service

Sie erhalten auf dieses Gerät 3 Jahre Garantie ab Kaufdatum. Das Gerät wurde sorgfältig produziert und vor Anlieferung gewissenhaft geprüft. Bitte bewahren Sie den Kassenbon als Nachweis für den Kauf auf. Bitte setzen Sie sich im Garantiefall mit Ihrer Servicestelle telefonisch in Verbindung. Nur so kann eine kostenlose Einsendung Ihrer Ware gewährleistet werden.

Die Garantieleistung gilt nur für Material- oder Fabrikationsfehler, nicht aber für Transportschäden, Verschleißteile oder für Beschädigungen an zerbrechlichen Teilen, z. B. Schalter oder Akkus. Das Produkt ist lediglich für den privaten und nicht für den gewerblichen Gebrauch bestimmt.

Bei missbräuchlicher und unsachgemäßer Behandlung, Gewaltanwendung und bei Eingriffen, die nicht von unserer autorisierten Service-Niederlassung vorgenommen wurden, erlischt die Garantie. Ihre gesetzlichen Rechte werden durch diese Garantie nicht eingeschränkt.

Die Garantiezeit wird durch die Gewährleistung nicht verlängert. Dies gilt auch für ersetzte und reparierte Teile. Eventuell schon beim Kauf vorhandene Schäden und Mängel müssen sofort nach dem Auspacken gemeldet werden, spätestens aber zwei Tage nach Kaufdatum. Nach Ablauf der Garantiezeit anfallende Reparaturen sind kostenpflichtig.

DE Service Deutschland

Tel.: 0800 5435 111 (Kostenfrei aus dem dt. Festnetz/Mobilfunknetz)
E-Mail: kompernass@lidl.de
IAN 96255

AT Service Österreich

Tel.: 0820 201 222 (0,15 EUR/Min.)
E-Mail: kompernass@lidl.at
IAN 96255

CH Service Schweiz

Tel.: 0842 665566 (0,08 CHF/Min., Mobilfunk max. 0,40 CHF/Min.)
E-Mail: kompernass@lidl.ch
IAN 96255

Erreichbarkeit Hotline:

Montag bis Freitag von 8:00 Uhr – 20:00 Uhr (MEZ)

Entsorgung



Werfen Sie das Gerät keinesfalls in den normalen Hausmüll. Dieses Produkt unterliegt der europäischen Richtlinie 2012/19/EU.

Entsorgen Sie das Gerät über einen zugelassenen Entsorgungsbetrieb oder über Ihre kommunale Entsorgungseinrichtung. Beachten Sie die aktuell geltenden Vorschriften. Setzen Sie sich im Zweifelsfall mit Ihrer Entsorgungseinrichtung in Verbindung.



Die Verpackung besteht aus umweltfreundlichen Materialien, die Sie über die örtlichen Recyclingstellen entsorgen können.

Importeur

KOMPERNASS HANDELS GMBH
BURGSTRASSE 21
44867 BOCHUM
GERMANY
www.kompernass.com

Rezepte

HINWEIS

Rezepte ohne Gewähr. Alle Zutaten- und Zubereitungsangaben sind Anhaltswerte. Ergänzen Sie diese Rezeptvorschläge um Ihre persönlichen Erfahrungswerte.

Tropicana-Sorbet

Zutaten

- ca. 160 g Ananas
- 1 Orange
- 1/2 Mango (ca. 100 - 150 g)

Zubereitung

Nachdem die Zutaten wie im Kapitel „Zutaten vorbereiten“ vorbereitet sind:

- 1) Geben Sie abwechselnd Stücke von Ananas, Orangen und Mango in den Einfüllschacht ②.
- 2) Vermischen Sie das entstandene Sorbet noch einmal mit einem Löffel.

Melonen-Beeren-Sorbet

Zutaten

- ca. 200 g Honigmelone
- ca. 100 g Beerenmischung (z.B. Waldbeerenmischung aus der Tiefkühltruhe)
- 2 EL Kokos- oder Schokoladenraspeln

Zubereitung

Nachdem die Zutaten wie im Kapitel „Zutaten vorbereiten“ vorbereitet sind:

- 1) Geben Sie abwechselnd Stücke von Honigmelone und Beeren in den Einfüllschacht ②.
- 2) Geben Sie die Kokos- oder Schokoladenraspeln zu der Sorbetmasse und vermischen Sie alles mit einem Löffel.

Bananen-Ananas-Sorbet

Zutaten

- 1 Banane
- ca. 160 g Ananas
- 1 TL Kokosraspeln

Zubereitung

Nachdem die Zutaten wie im Kapitel „Zutaten vorbereiten“ vorbereitet sind:

- 1) Geben Sie die Banane in den Einfüllschacht ② und schieben sie diese mit dem Stopfer ⑥ in das Gerät. Geben Sie dann die Ananas-Stückchen hinzu.
- 2) Geben Sie die Kokosraspeln zu der Sorbetmasse und vermischen Sie alles mit einem Löffel.

Bananen-Sorbet

Zutaten

- 2 Bananen
- 60 g Zartbitterschokolade

Zubereitung

Nachdem die Zutaten wie im Kapitel „Zutaten vorbereiten“ vorbereitet sind:

- 1) Geben Sie eine Banane in den Einfüllschacht ②.
- 2) Geben Sie die Zartbitterschokolade in den Einfüllschacht ②.
- 3) Geben Sie die zweite Banane in den Einfüllschacht ②.

Kiwi-Mango-Sorbet

Zutaten

- 3 Kiwis
- 1/2 Mango (ca. 100 - 150 g)

Zubereitung

Nachdem die Zutaten wie im Kapitel „Zutaten vorbereiten“ vorbereitet sind:

- 1) Geben Sie abwechselnd die Früchte in den Einfüllschacht ②.
- 2) Vermischen Sie das entstandene Sorbet noch einmal mit einem Löffel.

Erdbeer-Ananas-Sorbet

Zutaten

- 7 Erdbeeren
- ca. 160 g Ananas
- 1 TL Kokosraspeln

Zubereitung

Nachdem die Zutaten wie im Kapitel „Zutaten vorbereiten“ vorbereitet sind:

- 1) Geben Sie abwechselnd die Früchte in den Einfüllschacht ②.
- 2) Geben Sie die Kokosraspeln zu der Sorbetmasse und vermischen Sie alles mit einem Löffel.

Pistazien-Beeren-Sorbet

Zutaten

- ca. 100 g Beerenmischung (z.B. Walbeerenmischung aus der Tiefkühltruhe)
- 1 Banane
- ca. 15 g geschälte und gehackte Pistazien
- 1 Vanilleschote

Zubereitung

Nachdem die Zutaten wie im Kapitel „Zutaten vorbereiten“ vorbereitet sind:

- 1) Schaben Sie das Vanillemark aus der Vanilleschote und streichen Sie dieses auf die Banane.
- 2) Geben Sie Banane und Beeren in den Einfüllschacht ②.
- 3) Geben Sie die Pistazien zu der Sorbetmasse und vermischen Sie alles mit einem Löffel.

Schokoladen-Kiwi-Sorbet

Zutaten

- 4 Kiwis
- 60 g Zartbitterschokolade

Zubereitung

Nachdem die Zutaten wie im Kapitel „Zutaten vorbereiten“ vorbereitet sind:

- 1) Geben Sie die Kiwis abwechselnd mit der zerstoßenen Zartbitterschokolade in den Einfüllschacht ②.
- 2) Vermischen Sie das entstandene Sorbet noch einmal mit einem Löffel.

Himbeer-Birnen-Sorbet

Zutaten

- ca. 100 g Himbeeren
- 2 Birnen

Zubereitung

Nachdem die Zutaten wie im Kapitel „Zutaten vorbereiten“ vorbereitet sind:

- 1) Geben Sie abwechselnd die Himbeeren und die Birnen in den Einfüllschacht ②.
- 2) Vermischen Sie das entstandene Sorbet noch einmal mit einem Löffel.

Pfirsich-Bananen-Sorbet

Zutaten

- 2 Pfirsiche
- 2 Bananen
- Saft einer halben Zitrone

Zubereitung

Nachdem die Zutaten wie im Kapitel „Zutaten vorbereiten“ vorbereitet sind:

- 1) Geben Sie abwechselnd die Bananen und die Pfirsich-Stückchen in den Einfüllschacht ②.
- 2) Geben Sie den Zitronensaft hinzu und vermischen Sie das entstandene Sorbet noch einmal mit einem Löffel.

KOMPERNASS HANDELS GMBH

BURGSTRASSE 21

44867 BOCHUM

DEUTSCHLAND/GERMANY

www.kompernass.com

Last Information Update · Tilstand af information

Stand van de informatie · Stand der Informationen:

12/2014 · Ident.-No.: SSM200A1-072014-2

IAN 96255