



www.lidl-service.com



JIGSAW PSTD 800 A1

GB IE

JIGSAW

Translation of original operation manual

SE

PENDELSTICKSÅG

Översättning av bruksanvisning i original

DE AT CH

PENDELHUBSTICHSÄGE

Originalbetriebsanleitung

FI

HEILURIPISTOSAHA

Alkuperäisen käyttöohjeen käännös

DK

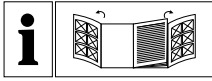
PENDULSTIKSAV

Oversættelse af den originale driftsvejledning

IAN 90967

FI SE

DK



GB IE

Before reading, unfold both pages containing illustrations and familiarise yourself with all functions of the device.

FI

Käännä ennen lukemista molemmat kuvalliset sivut esiin ja tutustu seuraavaksi laitteen kaikkiin toimintoihin.

SE

Vik ut båda bildsidorna och ha den till hands när du läser igenom anvisningarna och gör dig bekant med apparatens / maskinens funktioner.

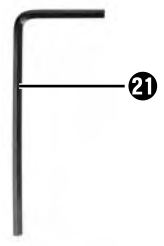
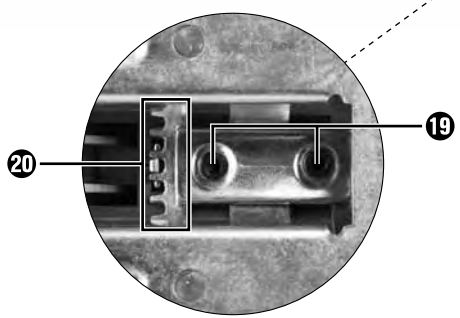
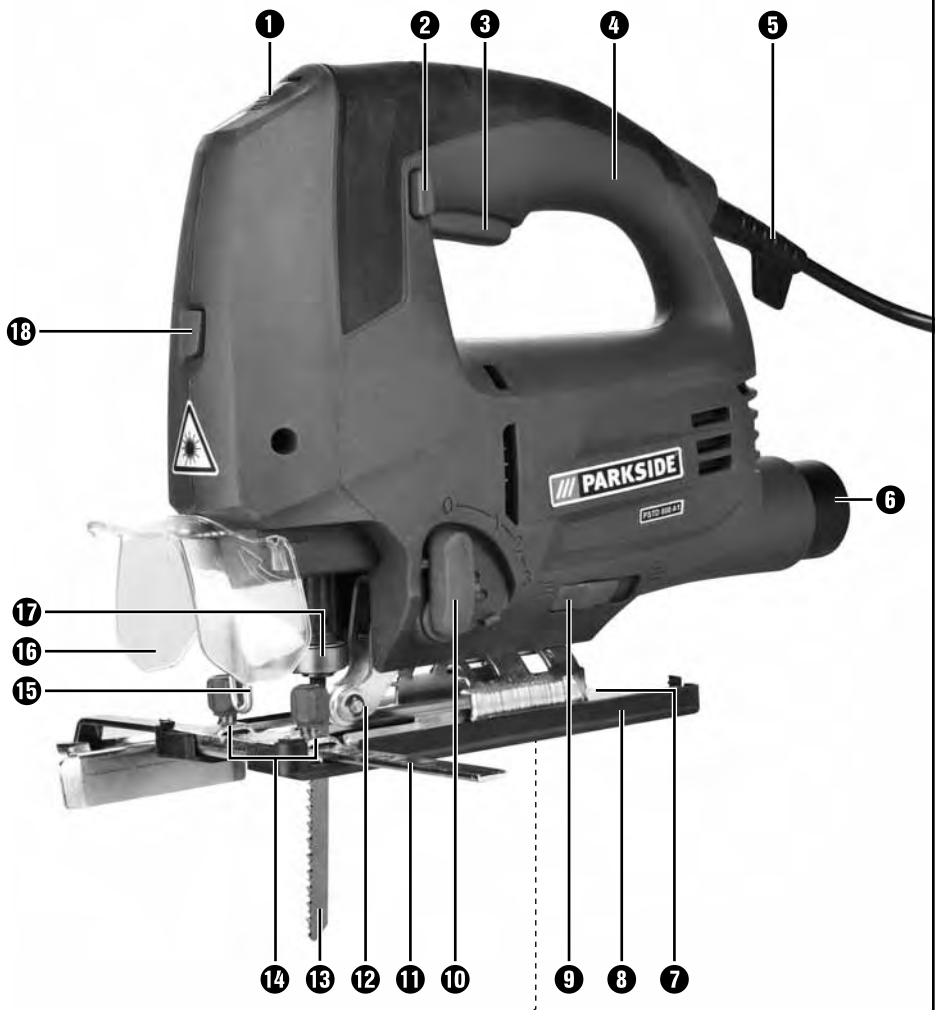
DK

Før du læser, vend begge siderne med billeder frem og bliv bekendt med alle apparatets funktioner.

DE AT CH

Klappen Sie vor dem Lesen die beiden Seiten mit den Abbildungen aus und machen Sie sich anschließend mit allen Funktionen des Gerätes vertraut.

GB/IE	Translation of original operation manual	Page	1
FI	Alkuperäisen käyttöohjeen käännös	Sivu	9
SE	Översättning av bruksanvisning i original	Sidan	17
DK	Oversættelse af den originale driftsvejledning	Side	25
DE/AT/CH	Originalbetriebsanleitung	Seite	33



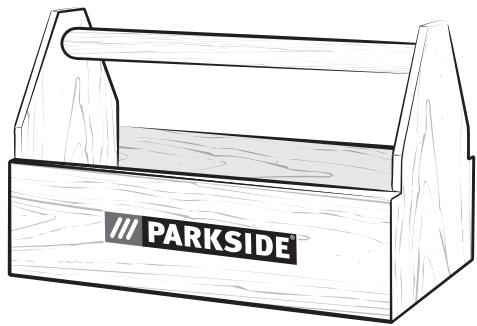
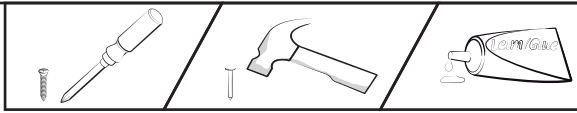
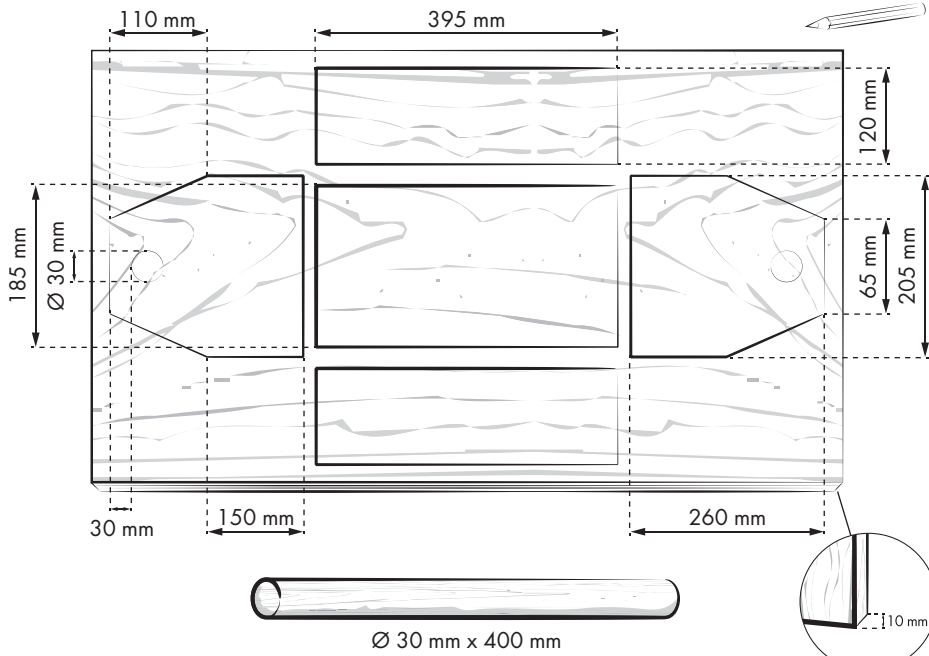
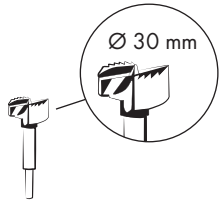
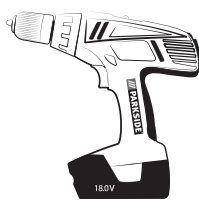
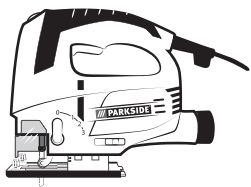


Table of Contents

Introduction	2
Proper use	2
Features	2
Package contents	2
Technical details	2
General safety instructions for electric tools	3
1. Workplace safety	3
2. Electrical safety	3
3. Personal safety	3
4. Use and handling of the electric tool	4
5. Service	4
Safety instructions specifically for jigsaws	4
Original accessories/additional equipment	5
Information on saw blades	5
Initial operation	6
Fitting/changing the saw blade	6
Fitting the guide fence	6
Connecting the sawdust extraction appliance	6
Fitting the sliding shoe	6
Operation	6
Setting the cutting angle	6
Setting the stroke rate	6
Setting the pendulum stroke	6
Switching on/off	6
Switching the laser/working light on/off	7
Sawdust blowing function	7
Maintenance and Cleaning	7
Warranty and Service	7
Importer	8
Disposal	8
Declaration of conformity/Manufacturer	8

JIGSAW PSTD 800 A1

Introduction



Congratulations on the purchase of your new appliance. You have selected a high-quality product. The operating instructions are part of this product. They contain important information on safety, use and disposal. Before using the product, familiarise yourself with all operating and safety instructions. Use this product only as described and only for the specified areas of application. Please also pass these operating instructions on to any future owner(s).

Proper use

This appliance is suitable for straight and curved cuts as well as mitre cuts of up to 45° on angular workpieces made of plastic, wood and light metal. This appliance is exclusively intended for private use in dry rooms. Observe the information on saw blade types. Any other usage of or modification to the appliance is deemed to be improper usage and carries the risk of serious personal injury. The manufacturer accepts no responsibility for damage(s) arising out of usage contrary to the instructions specified below.

Features

- 1 Stroke rate adjusting wheel
- 2 On/off switch lock button
- 3 On/off switch
- 4 Housing
- 5 Power cable
- 6 Extraction connector
- 7 Baseplate
- 8 Sliding shoe (removable)
- 9 Switch for sawdust blower
- 10 Pendulum stroke switch
- 11 Guide fence
- 12 Guide roller
- 13 Saw blade
- 14 Insertion openings (each incl. clamping screw)
- 15 Guard

- 16 Pivoting guard
- 17 Quick-release chuck
- 18 ON/OFF switch laser/working light
- 19 Clamping screw
- 20 Toothing
- 21 Allen key

Package contents

- 1 jigsaw incl. extraction connector
- 1 guide fence
- 1 operating manual
- 3 saw blades for woodwork
- 1 saw blade for metalwork

Technical details

Jigsaw:	Parkside PSTD 800 A1
Rated voltage:	230 V ~ 50 Hz
Rated input:	800 W
No-load speed:	max. n_0 3100 min ⁻¹
Cutting depth:	wood/metal: 80/8 mm
Pendulum stroke:	3 stages and fine cut adjustment
Diagonal cuts:	0–45° left/right
Protection class:	II/□

Noise and vibration data:

Noise measurement determined in accordance with EN 60745. The A-rated noise level of the electric tool is typically:

Sound pressure level:	94 dB(A)
Sound power level:	105 dB(A)
Uncertainty K:	3 dB



Wear ear protection!

Evaluated acceleration, typically:

Hand/arm vibration a_h	= 8.6 m/s ²
Uncertainty K	= 1.5 m/s ²

⚠ WARNING!

- ▶ The vibration level specified in these instructions has been measured in accordance with the standardised measuring procedure specified in EN 60745 and can be used to make equipment comparisons. The specified vibration emission value can also be used to make an initial exposure estimate. The vibration level varies in accordance with the use of the electric tool and may be higher than the value specified in these instructions in some cases. The vibration load could be underestimated if the electric tool is regularly used in such a way.

NOTE

- ▶ For an accurate estimate of the vibration load during a certain working period, the times during which the appliance is switched off or is running but not actually being used must also be taken into consideration. This can significantly reduce the vibration load over the total working period.



General safety instructions for electric tools

⚠ WARNING!

- ▶ Please read all of the safety instructions. Failure to follow the safety instructions listed below can result in electric shock, fire and/or serious injuries.

Keep all safety instructions and other instructions for future use.

The term “electric tool” used in the safety instructions refers to mains-operated electric tools (with power cable) and battery-operated electric tools (without power cable).

1. Workplace safety

- a) **Keep your workplace clean and well-lit.**
Untidy and poorly lit working areas can lead to accidents.
- b) **Do not work with the electric tool in potentially explosive areas in which flammable liquids,**

gases or dust are located. Electric tools produce sparks which can ignite dust or vapours.

- b) **Keep children and other people a safe distance away when using electric tools.** If you get distracted, you could lose control over the appliance.

2. Electrical safety

- a) **The plug on the appliance must fit into the mains socket. The plug may not be altered in any way. Do not use adapter plugs together with earthed appliances.** Unmodified plugs and suitable wall sockets reduce the risk of electric shock.
- b) **Avoid bodily contact with earthed surfaces, such as pipes, radiators, ovens and refrigerators.** There is an increased risk of electric shock if your body is earthed.
- c) **Keep electric tools away from rain and moisture.** If water or moisture penetrates an electric tool, there is an increased risk of electric shock.
- d) **Do not misuse the electrical cable, e.g. to carry the appliance, hang it up or to pull the plug from the socket. Keep the cable away from heat, oil, sharp edges and moving appliance components.** Damaged or tangled cords and defective plugs increase the risk of electric shock.
- e) **If you are working with an electric tool outdoors, use only extension cables that are also approved for use outdoors.** The use of an extension cord certified for outdoor use reduces the risk of electric shock.
- f) **If use of the electric tool in a humid environment is unavoidable, use a residual current appliance (RCD).** The use of a residual current circuit-breaker system reduces the risk of electric shock.

3. Personal safety

- a) **Be alert at all times, pay attention to what you are doing and act sensibly when you are using an electric tool. Do not use an electric tool if you are tired or under the influence of drugs, alcohol or medication.** Even a simple lapse of attention while using an electrical hand tool can lead to serious injuries.

- b) **Wear personal protection equipment, and always wear a pair of protective goggles.** Wearing personal protective equipment, such as a dust mask, non-slip safety shoes, protective gloves, helmet or ear protectors (depending on the type and use of the electric tool), reduces the risk of injuries.
- c) **Avoid unintentional operation of the appliance. Ensure that the electric tool is switched off before you connect it to the power supply, pick it up or carry it.** Carrying the electric tool with your finger on the ON/OFF switch or connecting the appliance to the mains supply whilst it is switched on can lead to serious accidents.
- d) **Remove any adjusting tools or spanners before switching on the appliance.** A tool or wrench attached to a rotating appliance component can cause serious injuries.
- e) **Avoid adopting an unusual posture. Ensure you are standing firmly and keep your balance at all times.** This gives you much better control over the electric tool, especially in unforeseen circumstances.
- f) **Wear suitable clothing. Do not wear loose clothing or jewellery. Keep hair, clothing and gloves away from moving parts.** Loose clothing, jewellery and long hair can be caught in moving parts.
- g) **If dust extraction and collecting equipment can be fitted, ensure that it is attached and used properly.** The use of an extraction system can reduce hazards caused by dust.

4. Use and handling of the electric tool

- a) **Do not overload the appliance. Use the appropriate electric tool for the job at hand.** Using the correct electric tool will allow you to work better and more safely within the specified performance range.
- b) **Never use an electric tool with a defective switch.** An electric tool that can no longer be switched on or off is dangerous and must be repaired.

- c) **Remove the plug from the socket before making adjustments to the appliance, changing accessories or putting the appliance into storage.** This precaution is intended to prevent you from unintentionally starting the appliance.
- d) **Store unused electric tools out of the reach of children Do not allow people who are not familiar with the appliance or who have not read these instructions to operate the appliance.** Electric tools are dangerous if used by people who are inexperienced.
- e) **Look after electric tools with care. Check to see whether moving parts are functioning correctly and are not jamming, whether parts are broken or damaged and that the functioning of the electric tool is not impaired. Arrange for damaged components to be repaired before using the appliance.** Many accidents are caused by poorly maintained electric tools.
- f) **Keep cutting tools sharp and clean.** Carefully maintained cutting tools with sharp cutting edges jam less often and are easier to control.
- g) **Use the electric tool, accessories, insertion tools, etc. in accordance with these instructions. Take heed of the operating conditions and the activities to be performed.** The use of electric tools for purposes other than those intended can result in dangerous situations.

5. Service

- a) **Your electric tool should only be repaired by qualified specialists using original spare parts.** This ensures that your electric tool remains safe.

Safety instructions specifically for jigsaws

- **Hold the electric tool by the insulated handles when you are carrying out work during which the electric tool may come into contact with concealed power cables or its own power cable.** Contact with a live cable may also cause metal parts of the appliance to become live and lead to electric shock.

- Keep your hands away from the sawing area. Do not reach underneath the workpiece. Contact with the saw blade may result in injury.
- **Keep your hands away from the stroke rod and the quick-release chuck.** Contact with these components may result in a crushing injury.
- Always switch on the electrical power tool before applying it to the workpiece. Otherwise, there is a risk of a kickback.
- When sawing, ensure that the baseplate ⑦ is in contact with the workpiece.
- After completing your work, switch the electric tool off and do not pull the saw blade ⑬ out of the cut until the tool has come to a standstill. This avoids kickbacks, and allows you to put the tool down safely.
- Only use undamaged saw blades that are in perfect working order. Bent and blunt saw blades can break or cause a kickback.
- Do not try and slow the saw blade ⑬ down after switching off by applying lateral pressure. The saw blade ⑬ can be damaged, break or cause a kickback.
- Immobilise the workpiece securely. Use clamps/vices to hold the workpiece firmly. This is much safer than simply holding it in your hand.
- Always run the power cord away from the appliance to the rear.
- Never work on moistened materials or wet surfaces.
- **Hazards caused by dust!** When working for extended periods on wood and, in particular, materials that produce dusts that are hazardous to health, connect the appliance to an appropriate dust extraction appliance.
- Wear a dust mask.
- Ensure there is sufficient ventilation.



WARNING! Protect yourself from laser radiation!



- Never look directly into the laser beam or into the opening from which it emerges.

⚠ WARNING!

- ▶ Looking at a laser beam through optical instruments (e.g. magnifying glasses etc.) can cause eye injuries.
- ▶ Caution! If operating and adjustment equipment is used or procedures other than those specified here are carried out, this may result in hazardous radiation exposure.

- Never aim the laser beam at reflective surfaces, people or animals. Even brief visual contact with a laser beam can result in eye injuries.

Original accessories/additional equipment

- **Only use the accessories and additional equipment that are specified in the operating instructions and are compatible with the appliance.**

Information on saw blades

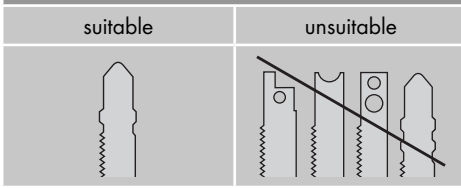
The Parkside basic equipment includes saw blades for use with wood and metal.

- 3 saw blades for general wood cuts
- 1 saw blade for light metals up to 3 mm

NOTE

- ▶ You can also use any other saw blades provided they are fitted with a suitable mounting (single-lug shank).

Saw blade type



Initial operation

Fitting/changing the saw blade

Always remove the plug from the power socket before working on the appliance.

- ◆ Flip up the pivoting guard **16**.
- ◆ Turn the quick-release chuck **17** and hold it in this position.
- ◆ Press the required saw blade into the quick-release chuck **17** as far as the limit stop.
- ◆ Release the quick-release chuck **17** – it must return to its initial position. The saw blade is now locked.

Fitting the guide fence

The guide fence **11** can be fixed on the left or right of the appliance.

- ◆ Undo both the clamping screws on the insertion openings **14**.
- ◆ Push the guide fence **11** into the insertion openings **14**.
- ◆ Retighten the two clamping screws.

Connecting the sawdust extraction appliance

- ◆ Push the extraction connector **6** into the vacuum extraction duct until it is secured.
- ◆ Attach an approved dust and sawdust extractor to the extraction connector **6**.

Fitting the sliding shoe

When working on sensitive surfaces, you can fit the sliding shoe **8** on the baseplate **7** to avoid scratching the surface.

- ◆ Mount the sliding shoe **8** onto the baseplate **7** and press it up at the back until it clicks into place on the baseplate **7**.
- ◆ To remove the sliding shoe **8**, unfasten it at the rear of the baseplate **7** and slide it off forwards.

Operation

Setting the cutting angle

- ◆ Undo the clamping screws **19** with the Allen key **21** and pull the baseplate **7** to the rear.
- ◆ Adjust the cutting angle to 0°/15°/30°/45° with the aid of the markings on the baseplate **7**. Push the baseplate **7** to the front so that the locking pin engages in the toothing **20**.
- ◆ Retighten the clamping screws **19** with the Allen key **21**.

Setting the stroke rate

- ◆ Use the stroke rate preselection adjusting wheel **1** to set the required stroke rate.

Setting the pendulum stroke

- ◆ You can use the pendulum stroke switch **10** to set the pendulum movement of the saw blade **13**. You can achieve fine, clean cut edges without pendulum movement (setting "0"). Switch the pendulum movement off when working on thin workpieces. You can achieve an increasingly fast workrate with activated pendulum stroke (settings 1–3).

Switching on/off

Switching the appliance on:

Press the ON/OFF switch **3**.

Switching the appliance off:

Release the ON/OFF switch **3**.

Switching to continuous operation:

Press the ON/OFF switch **3** and lock it in this position with the ON/OFF switch lock button **2**.

Switching off continuous operation:

Press the ON/OFF switch **3** and release it again.

Switching the laser/working light on/off

On/off switch:

Press the ON/OFF switch **18** until the required function is active.

LASER and WORKING LIGHT → WORKING LIGHT → LASER → SWITCH OFF

Sawdust blowing function

Switching the sawdust blowing function on:

- ◆ Press the sawdust blower function switch **9** to the rear.

Supporting the extraction function:

- ◆ Press the sawdust blower function switch **9** to the front.

Maintenance and Cleaning



WARNING! RISK OF INJURY!

Switch the appliance off and remove the power plug before starting any work.

- The appliance must always be clean, dry and free from oil or grease.
- To clean the casing, use a soft dry cloth.

⚠ WARNING!

- If the connecting cable needs to be replaced, this must be carried out by the manufacturer or his representative in order to avoid safety hazards.
- Replace the saw blade **18** as soon as its teeth are blunt and proper sawing is therefore no longer possible.
- Clean the appliance after completing your sawing work.
- Remove any dirt (e.g. sawdust). If necessary, clean the saw blade mounting with a brush or blow it out with compressed air.

Warranty and Service

The warranty provided for this appliance is 3 years from the date of purchase. This appliance has been manufactured with care and inspected meticulously prior to delivery. Please retain your receipt as proof of purchase. In the event of a warranty claim, please contact your Customer Service by telephone. This is the only way to guarantee free return of your goods.

The warranty covers only claims for material and manufacturing defects, not for transport damage, worn parts or for damage to fragile components, e.g. switches or batteries. This appliance is intended solely for private use and not for commercial purposes.

The warranty is deemed void if this product has been subjected to improper or inappropriate handling, abuse or modifications that were not carried out by one of our authorised service centres. Your statutory rights are not restricted in any way by this warranty.

The warranty period is not prolonged by repairs made under the warranty. This also applies to replaced and repaired parts. Damage and defects present at the time of purchase must be reported immediately after unpacking, or no later than two days after the date of purchase. Repairs made after expiry of the warranty period are chargeable.

GB Service Great Britain

Tel.: 0871 5000 720 (£ 0.10/Min.)

E-Mail: kompernass@lidl.co.uk

IAN 90967

IE Service Ireland

Tel.: 1 890 930 034

(0,08 EUR/Min., (peak))

(0,06 EUR/Min., (off peak))

E-Mail: kompernass@lidl.ie

IAN 90967

Hotline availability:

Monday to Friday 08:00 - 20:00 (CET)

Importer

KOMPERNASS HANDELS GMBH
BURGSTRASSE 21
44867 BOCHUM
GERMANY
www.kompernass.com

Disposal



The packaging is made from environmentally friendly material and can be disposed of at your local recycling plant.



Do not dispose of electric tools in your normal domestic waste!

As required by European Directive 2002/96/EC, worn-out electric tools must be collected separately and fed into an environmentally compatible recycling process.

Your local communal or municipal authorities can provide information on how to dispose of the worn-out appliance.

Declaration of conformity/ Manufacturer $\text{C}\epsilon$

We, KOMPERNASS HANDELS GMBH, Custodian of Documents: Mr. Semi Uguzlu, BURGSTR. 21, 44867 BOCHUM, GERMANY, hereby declare that this product complies with the following standards, normative documents and the EC directives:

**Machinery Directive
(2006/42/EC)**

**EU Low Voltage Regulations
(2006/95/EC)**

**EMC (Electromagnetic Compatibility)
(2004/108/EC)**

**RoHS Directive
(2011/65/EU)**

Applied harmonised standards:

EN 60745-1 / A11: 2010
EN 60745-2-11: 2010
EN 62233: 2008
EN 55014-1 / A2: 2011
EN 55014-2 / A2: 2008
EN 61000-3-2 / A2: 2009
EN 61000-3-3: 2008

Type designation of machine:

Jigsaw PSTD 800 A1

Year of manufacture: 07-2013

Serial number: IAN 90967

Bochum, 31/07/2013

A handwritten signature in black ink, appearing to read 'Semi Uguzlu'.

Semi Uguzlu
- Quality Manager -

Subject to technical changes in the course of further developments.

Sisällysluettelo

Johdanto	10
Määraysten mukainen käyttö	10
Varustelu	10
Toimituslaajuus	10
Tekniset tiedot	10
Sähkötyökaluja koskevia yleisiä turvallisuusohjeita	11
1. Turvallisuus työskentelypaikalla	11
2. Sähköturvallisuus	11
3. Henkilöiden turvallisuus	11
4. Sähkötyökalun käyttö ja käsittely	12
5. Huolto	12
Pistosahoja koskevia laitekohtaisia turvallisuusohjeita	12
Alkuperäistarvikkeet / -lisälaitteet	13
Tietoja sahanteristä	13
Käyttöönotto	14
Sahanterän asentaminen / vaihtaminen	14
Suuntaisvasteen asentaminen	14
Lastunpoistolaitteen liittäminen	14
Asenna liukukenkä	14
Käyttö	14
Sahauskulman säätäminen	14
Iskutaajuuden säätäminen	14
Heiluriliikkeen säätäminen	14
Käynnistäminen / Sammuttaminen	14
Laserin / työvalon kytkeminen päälle ja pois päältä	15
lastunpuhallustoiminto	15
Huolto ja puhdistus	15
Takuu ja huolto	15
Maahantuoja	15
Hävittäminen	16
Vaatimusten mukaisuusvakuutus / Valmistaja	16

HEILURIPISTOSAHA PSTD 800 A1

Johdanto



Onnittelut uuden laitteen hankinnasta. Olet valinnut laadukkaan tuotteen. Käyttöohje on osa tätä tuotetta. Se sisältää tärkeitä turvallisuutta, käyttöä ja hävittämistä koskevia ohjeita. Tutustu ennen tuotteen käyttöä kaikkiin käyttö- ja turvallisuusohjeisiin. Käytä tuotetta vain kuvatulla tavalla ja vain mainittuihin käyttötarkoituksiin. Kun luovutat tuotteen eteenpäin, liitä mukaan kaikki tuotetta koskevat asiakirjat.

Määräystenmukainen käyttö

Laite on tarkoitettu suorien ja kaarevien linjojen sahaukseen sekä kulmikkaiden työkappaleiden jopa 45°:n viistosahauksiin. Laite soveltuu muovin, puun ja kevytmetallin työstämiseen. Laitteen käyttö on sallittu vain yksityistarkoituksessa, ja sitä saa käyttää vain kuivissa tiloissa. Huomaa sahante-rätyyppejä koskevat ohjeet. Laitteen muu käyttö tai muuttaminen on määräystenmukaista ja voi aiheuttaa huomattavan tapaturmavaaran. Valmistaja ei ota mitään vastuuta määräystenvastaisesta käytöstä aiheutuneista vahingoista.

Varustelu

- 1 Iskutaajuuden esivalinnan säätöpyörä
- 2 Virtakytkimen lukituspainike
- 3 Virtakytkin
- 4 Kotelo
- 5 Virtajohto
- 6 Imuistukka
- 7 Pohjalaatta
- 8 Liukukenkä (irrotettava)
- 9 Lastunpuhalluslaitteen kytkin
- 10 Heilurikytkin
- 11 Suuntaisvaste
- 12 Ohjausrulla
- 13 Sahanterä
- 14 Sisääntyöntöaukot (sis. lukitusruuvit)
- 15 Suojakaari

- 16 Taitettava kosketussuoja
- 17 Pikaistukka
- 18 Laserin/työvalon virtakytkin
- 19 Puristusruuvit
- 20 Hammastus
- 21 Kuusioavain

Toimituslaajuus

- 1 pistosaha sis. imuistukka
- 1 suuntaisvaste
- 1 käyttöohje
- 3 sahanterää puuntyöstöön
- 1 sahanterä metallityöstöön

Tekniset tiedot

Pistosaha:	Parkside PSTD 800 A1
Nimellisjännite:	230 V ~ 50 Hz
Ottoteho:	800 W
Iskut tyhjäkäynnillä:	enint. n ₀ 3100 min ⁻¹
Sahaussyvyys:	Puu/metalli: 80/8 mm
Heiluri-isku:	3 porrasta ja hienosahaussäätö
Viistesahaus:	0 - 45° vasemmalle/oikealle
Suojaluokka:	II / □

Melua ja värinää koskevat tiedot:

Melun mittausrvo laskettu standardin EN 60745 mukaisesti. Sähkötyökalun tyypilliset A-painotetut melutasot:

Äänen painetaso:	94 dB(A)
Äänen tehotaso:	105 dB(A)
Epävarmuus K:	3 dB



Käytä kuulosuojaimia!

Arvioitu kiihtyvyys tavallisesti:

Käteen kohdistuva värähtely $a_h = 8,6 \text{ m/s}^2$
Epävarmuus K = 1,5 m/s^2

⚠ VAROITUS!

- ▶ Näissä ohjeissa ilmoitettu värähtelytaso on mitattu standardissa EN 60745 normitetulla mittausten menetelmällä, ja sitä voidaan käyttää laitevertailussa. Ilmoitettua värähtelyrasitusarvoa voidaan käyttää suuntaa antavaan rasituksen arviointiin. Värähtelytaso muuttuu sähkötyökalun käytön mukaan ja saattaa joissain tapauksissa ylittää tässä ohjeessa mainitun arvon. Värähtelyrasitusta saatetaan aliarvioida, jos sähkötyökalua käytetään säännöllisesti tällaisella tavalla.

OHJE

- ▶ Värähtelyrasituksen tarkka arvioiminen tietyntöajan kuluessa edellyttää myös niiden aikojen huomioimista, jolloin laite on sammutettuna tai käynnissä, mutta käyttämättä. Tämä saattaa vähentää merkittävästi kokonaistyöskentelyajan värähtelyrasitusta.



Sähkötyökaluja koskevia yleisiä turvallisuusohjeita

⚠ VAROITUS!

- ▶ Lue kaikki turvallisuusohjeet ja muut ohjeet. Sekä turvallisuusohjeiden että muiden ohjeiden laiminlyönti voi aiheuttaa sähköiskun, tulipalon ja / tai vakavia loukkaantumisia.

Säilytä kaikki turvallisuusohjeet ja muut ohjeet myöhempää käyttöä varten.

Turvallisuusohjeissa käytetty käsite "sähkötyökalu" koskee sekä verkkokäyttöisiä sähkötyökaluja (sis. virtajohton) että akkukäyttöisiä sähkötyökaluja (ilman virtajohtoa).

1. Turvallisuus työskentelypaikalla

- Pidä työskentelyalue puhtaana ja huolehdi hyvästä valaistuksesta.** Epäjärjestys ja valaistamattomat työskentelyalueet saattavat aiheuttaa onnettomuuksia.
- Älä käytä laitetta räjähdyevaarallisessa ympäristössä, jossa säilytetään helposti syttyviä nesteitä, kaasuja tai pölyjä.** Sähkötyökaluilla työskennellessä syntyy kipinöintiä, joka voi sytyttää pölyn tai höyryt.

- Pidä lapset ja muut henkilöt poissa sähkölaitteen lähetyviltä työskentelyn aikana.** Voit helposti menettää laitteen hallinnan, jos työskentelysi häiriintyy.

2. Sähköturvallisuus

- Sähkötyökalun verkkopistokkeen on sovittava pistorasiaan. Pistoketta ei saa muuttaa millään tavalla. Älä käytä adapteripistoketta yhdessä suojamaadoitettujen sähkötyökalujen kanssa.** Alkuperäinen pistoke ja sopiva pistorasia vähentävät sähköiskun vaaraa.
- Vältä kontaktia maadoitettujen pintojen, kuten putkien, lämpöpatterien, liesien ja jääkaappien kanssa.** Sähköiskun vaara on tavallista suurempi, jos kehosi on maadoitettu.
- Suojaa sähkötyökalut sateelta ja kosteudelta.** Veden tunkeutuminen sähkölaitteeseen lisää sähköiskun vaaraa.
- Älä kannata lätkä ripusta sähkötyökalua virtajohtosta, älä vedä virtajohtosta, irrottaessasi pistoketta pistorasiasta. Pidä johto loitolla kuumasta, öljystä, terävistä reunoista tai liikkuvista laitteenosista.** Vaurioitunut tai kietoutunut virtajohto lisää sähköiskun vaaraa.
- Jos työskentelet sähkötyökalulla ulkotiloissa, käytä silloin ainoastaan jatkojohtoa, jonka käyttö on sallittu myös ulkotiloissa.** Ulkotilaan soveltuvan jatkojohton käyttö pienentää sähköiskun vaaraa.
- Jos sähkötyökalua joudutaan käyttämään kosteassa ympäristössä, on käytettävä vikavirtakytkintä.** Vikavirtakytkimen käyttö pienentää sähköiskun vaaraa.

3. Henkilöiden turvallisuus

- Ole aina tarkkaavainen, keskity siihen, mitä olet tekemässä ja toimi järkevasti työskennellessäsi sähkötyökalun kanssa. Älä käytä sähkötyökalua, jos olet väsynyt tai huumausaineiden, alkoholin tai lääkeaineiden vaikutuksen alainen.** Pienikin epätarkkaavaisuus voi sähkötyökalulla työskennellessä aiheuttaa vakavia loukkaantumisia.

- b) Käytä henkilökohtaisia turvavarusteita ja aina suojalaseja. Henkilökohtaisten turvavarusteiden, kuten pölyltä suojaavan naamion, turvajalkineiden, kypärän tai kuulosuojan, käyttö vähentää loukkaantumiseriskiä.
 - c) Varo käynnistämästä sähkötyökalua vahingossa. Varmista, että sähkötyökalu on kytketty pois päältä, ennen kuin liität pistokkeen verkkopistorasiaan, nostat tai kannat sitä. Tapaturmat ovat mahdollisia, jos sormesi on laitetta kantaessasi virtakytkimellä, tai laite on jo kytketty päälle, kun liität laitteen sähköverkkoon.
 - d) Poista kaikki säätötyökalut ja ruuviavaimet työskentelyalueelta, ennen kuin käynnistät sähkötyökalun. Pyörivässä laitteen osassa sijaitseva työkalu tai avain voi johtaa vammoihin.
 - e) Vältä työskentelyä epätavallisessa asennossa. Asetu tukevaan asentoon ja säilytä tasapaino koko ajan. Pystyt silloin yllättävissä tilanteissa hallitsemaan sähkötyökalua paremmin.
 - f) Käytä soveltuvaa vaatetusta. Älä käytä löysiä vaatteita tai koruja. Pidä hiukset, vaatetus ja käsiineet poissa liikkuvien osien lähetyviltä. Löysä vaatetus, korut tai pitkät hiukset voivat jäädä kiinni liikkuviin osiin.
 - g) Jos käytät pölynpoisto- tai lastujenkeruulaitetta, varmista, että ne on liitetty laitteeseen ja että niitä käytetään oikein. Pölynpoisto voi vähentää pölystä aiheutuvia vaaratilanteita.
- d) Säilytä käyttämätön sähkötyökalu lapsilta ulottumattomissa. Älä anna laitetta sellaisten henkilöiden käyttöön, jotka eivät osaa käyttää laitetta tai eivät ole lukeneet näitä ohjeita. Sähkötyökalut ovat kokemattomien henkilöiden käsissä vaarallisia.
 - e) Hoida sähkötyökaluja huolellisesti. Varmista, että liikkuvat osat toimivat moitteettomasti eivätkä juutu kiinni, ja ettei mikään osa ole murtunut tai vahingoittunut niin, että se haittaa sähkötyökalun toimintaa. Korjauta vaurioituneet osat ennen laitteen käyttöä. Moni tapaturma johtuu huonosti huolletuista sähkötyökaluista.
 - f) Pidä terät terävinä ja puhtaina. Huolella hoidetut leikkaavat työkalut ja terävät leikkureunat juuttuvat vähemmän kiinni ja niiden käyttö on helpompaa.
 - g) Käytä sähkötyökaluja, lisätarvikkeita, käyttötyökaluja jne. tässä annettujen ohjeiden mukaisesti. Huomioi tällöin kaikki työskentelyolosuhteet ja suoritettava tehtävä. Sähkötyökalujen käyttö muuhun kuin tarkoituksenmukaiseen käyttöön saattaa johtaa vaaratilanteisiin.

5. Huolto

- a) Anna sähkötyökalu vain asiantuntevan huolto- liikkeen korjattavaksi ainoastaan alkuperäisiä varaosia käyttäen. Näin voidaan taata sähkötyökalun turvallinen käyttö myös korjauksen jälkeen.

Pistosahoja koskevia laitekohtaisia turvallisuusohjeita

- Tartu sähkötyökaluun työskentelyn aikana eristetyistä kahvapinnoista, jos on olemassa vaara, että sähkötyökalu voi osua piilossa oleviin sähköjohtoihin tai laitteen omaan virtajohtoon. Osuminen jännitteelliseen johtoon voi johtaa jännitteen myös laitteen metalliosiin, jolloin seurauksena voi olla sähköisku.

4. Sähkötyökalun käyttö ja käsittely

- a) Älä ylikuormita laitetta. Käytä työhön siihen soveltuvaa sähkötyökalua. Sopivalla sähkötyökalulla työskentelet paremmin ja turvallisemmin ohjeistetulla tehoalueella.
- b) Älä käytä sähkötyökalua, jos sen kytkin on viallinen. Sähkötyökalu, jota ei voida enää kytkeä päälle tai pois päältä, on vaarallinen ja vaatii korjausta.
- c) Irrota pistoke pistorasiasta, ennen kuin teet säätöjä, vaihdat lisävarusteita tai asetat laitteen sivuun. Tällä varotoimella estetään sähkötyökalun tahaton käynnistyminen.

- Pidä kädet poissa sahausalueelta. Älä koske työkalupapelelle alle. Sahanterän koskeminen aiheuttaa loukkaantumisaarua.
- **Pidä kädet etäällä iskutangosta ja pikais-
tukasta.** Työkalun osien koskemiseen liittyy puristumisvaara.
- Ohjaa sähkötyökalu työkalupapelelle ainoastaan käynnistettynä. Muussa tapauksessa on takais-
iskeytymisen vaara.
- Varmista, että pohjalaatta **7** on työkalupapelella sahausajan aikana.
- Sammuta sähkötyökalu työvaiheen jälkeen ja irrota sahanteriä **13** vasta sitten sahausurasta, kun sahanteriä on pysähtynyt. Näin vältät takais-
iskeytymisen ja voit laittaa sähkötyökalun turvallisesti sivuun.
- Käytä vain kunnossa olevia ja moitteettomasti toimivia sahanteriä. Vääntyneet ja tylsät sahan-
terät voivat katketa tai aiheuttaa takaisiskey-
tymisen.
- Älä yritä pysäyttää sahanteriä **13** poislyöntikennän jälkeen painamalla sitä sivulta. Sahanteriä **13** voi vahingoittaa, katketa tai aiheuttaa takaisiskey-
tymisen.
- Varmista työkalupapelelle. Käytä kiinnitystyökalua/
ruuvipenkkiä työkalupapelelle kiinnittämiseen. Näin työkalupapelelle pysyy tukevammin paikallaan kuin kädellä kiinni pidettäessä.
- Ohjaa virtajohto aina laitteesta taaksepäin.
- Älä työstä kostutettuja materiaaleja tai kosteita pintoja.
- **Pöly voi aiheuttaa vaaratilanteita!** Liitä työkalu soveltuvaan polynpoistolaitteeseen, kun työstät pidemmän aikaa puuta ja erityisesti materiaaleja, joiden työstössä syntyy terveydel-
le vaarallista pölyä.
- Käytä pölyltä suojaavaa naamiota!
- Huolehdi riittävästä tuuletuksesta.



VAROITUS!

Suojaudu lasersäteiltä:



- Älä katso suoraan lasersäteeseen tai lasersäteen lähdeaukkoon.



VAROITUS!

- ▶ Lasersäteiden katselu optisilla laitteilla (esim. luupilla, suurennuslasilla tms.) voi vaurioittaa silmää.
- ▶ Varoitus! Muiden kuin tässä ilmoitettujen käyttö- ja säätölaitteiden käyttö tai muiden kuin ohjeistettujen toimintatapojen mukaan toimiminen saattaa johtaa vaaralliseen säteilyyn.

- Älä koskaan suuntaa lasersädettä heijastaviin pintoihin, henkilöihin tai eläimiä kohti. Jo lyhytkin katsekontakti lasersäteeseen voi vahingoittaa silmää.

Alkuperäistarvikkeet / -lisälaitteet

- Käytä vain tässä käyttöohjeessa ilmoitettuja tarvikkeita ja lisälaitteita, jotka ovat yhteensopivia työkalun kanssa.

Tietoja sahanteristä

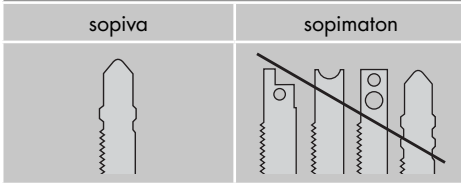
Parkside-peruspaketti sisältää sahanteriä pääkäyt-
tötarkoitukseen eli puun ja metallin sahausseen.

- 3 sahanteriä yleiseen puuntyöstöön
- 1 sahanteriä enint. 3 mm paksuille kevytmetalleille

OHJE

- ▶ Voit käyttää mitä tahansa terää edellyttäen, että terän kiinnitys (yksinokkavarasi) on sopiva.

Sahanterätyyppi



Käyttöönotto

Sahanterän asentaminen / vaihtaminen

Irrota työkalun verkkopistoke pistorasiasta ennen kaikkia laitteelle suoritettavia töitä.

- ◆ Nosta kosketussuoja **16** ylös.
- ◆ Kierrä pikaistukkaa **17** ja pidä sitä kierrettyinä.
- ◆ Paina valitsemasi sahanterä pikaistukkaan **17** vasteeseen saakka.
- ◆ Päästä irti pikaistukasta **17**, jotta se palautuu takaisin lähtöasentoonsa. Sahanterä on nyt lukittu paikoilleen.

Suuntaisvasteen asentaminen

Suuntaisvaste **11** voidaan kiinnittää työkalun vasemmalle tai oikealle puolelle.

- ◆ Avaa sisääntyöntöaukkojen **14** molempia lukitusruuveja.
- ◆ Työnnä suuntaisvaste **11** sisääntyöntöaukkoihin **14**.
- ◆ Kiristä sen jälkeen kumpikin lukitusruuvi uudelleen.

Lastunpoistolaitteen liittämisen

- ◆ Työnnä imuistukka **6** imukanavaan, kunnes istukka lukittuu paikoilleen.
- ◆ Liitä hyväksytty pölyn- ja lastunpoistolaite imuistukkaan **6**.

Asenna liukukenkä

Herkkiä pintoja työstettäessä liukukenkä **8** voidaan asettaa pohjalaatalle **7** pinnan naarmuuntumisen estämiseksi.

- ◆ Ripusta liukukenkä **8** edestä pohjalaataan **7** ja paina sitä ylätakaviistoon, kunnes se on tukevasti kiinni pohjalaatassa **7**.
- ◆ Poista liukukenkä **8** irrottamalla se pohjalaatan **7** takaa ja vetämällä sitä eteenpäin.

Käyttö

Sahauskulman säätäminen

- ◆ Avaa puristusruveja **19** kuusioavaimella **21** ja vedä pohjalaattaa **7** taaksepäin.
- ◆ Säädä sahauskulmaksi $0^\circ / 15^\circ / 30^\circ / 45^\circ$ pohjalaatassa **7** olevien merkintöjen avulla. Työnnä pohjalaattaa **7** eteenpäin, jotta lukitus-tappi loksahdaa hammastukseen **20**.
- ◆ Kiristä puristusruuvit **19** kuusioavaimella **21**.

Iskutaajuuden säätäminen

- ◆ Säädä haluttu iskutaajuus iskutaajuuden esivalinnan säätöpyörällä **1**.

Heiluriliikkeen säätäminen

- ◆ Heilurikytkimellä **10** voidaan säätää sahanterän **13** heiluriliikettä. Ilman heiluriliikettä (asento "0") saadaan hienot ja puhtaat sahausreunat. Ohuita työkappaleita työstettäessä heiluriliike on asetettava pois päältä. Kun heiluriliike kytketään päälle (asento 1-3), työstäminen on nopeampaa.

Käynnistäminen / Sammuttaminen

Laitteen käynnistäminen:

Paina virtakytkintä **3**.

Laitteen sammuttaminen:

Vapauta virtakytkin **3**.

Kestokäytön käynnistäminen:

Paina virtakytkintä **3** ja lukitse se alaspainettuna virtakytkimen lukituspainikkeella **2**.

Kestokäytön sammuttaminen:

Paina virtakytkintä **3** ja vapauta se jälleen.

Laserin/työvalon kytkeminen päälle ja pois päältä

Virtakytkin:

Paina virtakytkintä **(B)**, kunnes haluttu toiminto on aktivoitu.

LASER ja TYÖVALO → TYÖVALO → LASER → SAMMUTUS

lastunpuhallustoiminto

Käynnistä lastunpuhallustoiminto:

- ◆ Työnnä lastunpuhalluslaitteen kytkin **(9)** taakse.

Imu toiminnon tukeminen:

- ◆ Työnnä lastunpuhalluslaitteen kytkin **(9)** eteen.

Huolto ja puhdistus



VAROITUS! LOUKKAANTUMISVAARA!

Sammuta laite ennen kaikkia laitteelle suoritettavia töitä ja irrota verkkopistoke pistorasiasta.

- Pidä laite aina puhtaana ja kuivana ja puhdista ylimääräinen öljy- ja voitelurasva.
- Käytä kuivaa liinaa kotelon puhdistamiseen.

VAROITUS!

- Turvallisuuden takaamiseksi virtajohdon saa vaihtaa uuteen vain valmistaja tai valmistajan edustaja.
- Vaihda sahanterä **(B)** heti, jos sen hammas on tylsynyt eikä sahausjälki ole enää moitteeton.
- Puhdista laite aina heti sahaustöiden päätteeksi.
- Poista lika (esim. lastut). Puhdista sahanterän kiinnityskohta tarvittaessa siveltimellä tai paineilmalla puhaltamalla.

Takuu ja huolto

Laitteen takuu on 3 vuotta ostopäivästä. Laite on valmistettu huolella ja tarkastettu perusteellisesti ennen toimitusta. Säilytä ostokuitti todisteeksi ostosta. Ota takuutapauksessa puhelimitse yhteyttä lähimpään huoltopisteeseen. Vain näin voidaan taata tuotteesi maksuton lähettämisen huoltoon.

Takuu koskee ainoastaan materiaali- ja valmistusvirheitä, ei kuitenkaan kuljetusvaurioita, kuluvia osia tai herkästi vaurioituvien osien kuten kytkinten tai akkujen vaurioita. Tuote on tarkoitettu ainoastaan yksityiseen käyttöön, sitä ei saa käyttää kaupallisissa tarkoituksissa.

Laitteen väärinlainen tai asiain käsittely, väkivalan käyttö ja muun kuin valtuutetun huoltopisteen suorittamat korjaukset aiheuttavat takuun raukeamisen. Tämä takuu ei rajoita kuluttajan lakisääteisiä oikeuksia.

Takuukorjaus ei pidennä takuu-aikaa. Tämä koskee myös vaihdettuja ja korjattuja osia. Mahdollisesti jo ostettaessa olemassa olevista vaurioista ja puutteista on ilmoitettava välittömästi pakkauksen avaamisen jälkeen, viimeistään kuitenkin kahden päivän sisällä ostopäiväyksestä. Takuuajan päättymisen jälkeen suoritettavat korjaukset ovat maksullisia.

FI Huolto Suomi

Tel.: 010309 3582

E-Mail: kompernass@lidl.fi

IAN 90967

Palvelupuhelin: Maanantaista perjantaihin klo 8:00–20:00 (CET)

Maahantuoja

KOMPERNASS HANDELS GMBH
BURGSTRASSE 21
44867 BOCHUM
GERMANY
www.kompernass.com

Hävittäminen



Pakkaus on valmistettu ympäristöystävällisistä materiaaleista, jotka voidaan hävittää paikallisissa kierrätyspisteissä.



Älä hävitä sähkötyökaluja kotitalousjätteen mukana!

EU:n direktiivin 2002/96/EC mukaan käytöstä poistettavat sähkölaitteet on toimitettava niille tarkoitettuun erilliseen keräyspisteeseen, josta ne voidaan johtaa ympäristöystävälliseen kierrätykseen.

Loppuun kuluneen laitteen kierrätyksestä ja hävittämisestä saat tietoja kunnan jätehuollosta vastaavilta viranomaisilta.

Vaatimustenmukaisuusvakuutus / Valmistaja CE

Me, KOMPERNASS HANDELS GMBH, dokumentoinnista vastaava: Semi Uguzlu, BURGSTR. 21, 44867 BOCHUM, SAKSA, vakuutamme täten, että tämä tuote vastaa seuraavia standardeja, ohjeellisia asiakirjoja ja EY-direktiivejä:

**Konedirektiivi
(2006 / 42 / EC)**

**EU:n pienjännitedirektiivi
(2006 / 95 / EC)**

**Sähkömagneettinen yhteensopivuus
(2004 / 108 / EC)**

**RoHS-direktiivi
(2011 / 65 / EU)**

Sovelletut yhdenmukaistetut normit:

EN 60745-1 / A11: 2010

EN 60745-2-11: 2010

EN 62233: 2008

EN 55014-1 / A2: 2011

EN 55014-2 / A2: 2008

EN 61000-3-2 / A2: 2009

EN 61000-3-3: 2008

Koneen tyyppinimike:

Heiluripistosaha PSTD 800 A1

Valmistusvuosi: 07 -2013

Sarjanumero: IAN 90967

Bochum, 31.7.2013

Semi Uguzlu

- Laatujohtaja -

Pidätämme oikeuden laitekehittelystä aiheutuviin teknisiin muutoksiin.

Innehållsförteckning

Inledning	18
Föreskriven användning	18
Utrustning	18
Leveransens innehåll	18
Tekniska data	18
Allmän säkerhetsinformation för elverktyg	19
1. Säkerhet på arbetsplatsen	19
2. Elsäkerhet	19
3. Personssäkerhet	19
4. Användning och hantering av elverktyget	20
5. Service	20
Produktspecifik säkerhetsinformation för sticksågar	20
Originaltillbehör / extrautrustning	21
Information om sågblad	21
Ta produkten i bruk	22
Montera / byta ut sågblad	22
Montera parallellanslaget	22
Ansluta spånutsuget	22
Montera glidskon	22
Användning	22
Ställa in sågvinkel:	22
Inställning av slaghastighet	22
Inställning av pendelslag	22
Sätta på / Stänga av produkten	22
Koppla på och av laser / arbetsljus	22
Spånblåsfunktion	22
Underhåll och rengöring	23
Garanti och service	23
Importör	23
Kassering	23
Förklaring om överensstämmelse / Tillverkarförsäkran	24

Pendelsticksåg PSTD 800 A1

Inledning



Ett stort grattis till din nyinköpta produkt. Du har valt en produkt med hög kvalitet. Bruksanvisningen ingår som en del av

denna produkt. Den innehåller viktig information om säkerhet, användning och kassering. Läs noga igenom alla användar- och säkerhetsanvisningar innan du börjar använda produkten. Använd endast produkten enligt beskrivningarna och i de syften som anges här. Lämna över all dokumentation tillsammans med produkten om du överläter den till någon annan person.

Föreskriven användning

Produkten är avsedd att användas för raka och kurviga snitt samt geringssnitt upp till 45° på kantiga arbetsstycken av plast, trä och lättmetall. Produkten får endast användas för privat bruk i torra utrymmen. Observera information om sågbladsmodeller. Alla övriga användningssätt och förändringar på produkten ligger utanför gränserna för den föreskrivna användningen och innebär avsevärda risker. Tillverkaren ansvarar inte för skador som uppstår på grund av felaktig användning.

Utrustning


- 1 Inställningshjul för slaghastighet
- 2 Låsknapp På/Av-funktion
- 3 På/Av-knapp
- 4 Käpa
- 5 Strömkabel
- 6 Utsugsmunstycke
- 7 Fotplatta
- 8 Glidsko (avtagbar)
- 9 Spånblåsreglage
- 10 Vred för pendelrörelse
- 11 Parallellanslag
- 12 Styrhjul
- 13 Sågblad
- 14 Insticksöppningar (båda med låsskruv)
- 15 Skyddsbygel

- 16 Skyddshuv, uppfällbar
- 17 Snabbfäste
- 18 På/AV-knapp laser/arbetsbelysning
- 19 Spännskruv
- 20 Tandning
- 21 Sexkantnyckel

Leveransens innehåll

- 1 sticksåg inkl. utsugsmunstycke
- 1 parallellanslag
- 1 bruksanvisning
- 3 sågblad för träbearbetning
- 1 sågblad för metallbearbetning

Tekniska data

Sticksåg:	Parksid PSTD 800 A1
Nominell spänning:	230V ~ 50Hz
Effekt:	800 W
Slaghastighet, tomgång:	max. n_0 3100 min ⁻¹
Snittdjup:	trä/metall: 80/8 mm
Pendelslag:	3 lägen samt finsnittsinställning
Snedsågning:	0 - 45° vänster/höger
Skyddsklass :	II / 

Information om buller och vibrationer:

Mätvärden för buller bestäms enligt EN 60745. Karakteristisk A-viktad ljudnivå för elverktyg:

Ljudtrycksnivå:	94 dB(A)
Ljudeffekt:	105 dB(A)
Osäkerhet K:	3 dB



Använd hörselskydd!

Viktad acceleration, typisk:

Hand/armvibration $a_h = 8,6 \text{ m/s}^2$
 Osäkerhet K = 1,5 m/s^2

⚠ VARNING!

- ▶ Den vibrationsnivå som anges här har mätts med standardmätning enligt EN 60745 och kan användas vid en produktjämförelse. Det vibrationsvärde som anges kan även användas för att inledningsvis uppskatta exponeringen. Vibrationsnivån kan förändras beroende på hur elverktøget används och kan i vissa fall ligga över de värden som anges i bruksanvisningen. Vibrationsexponeringen kan komma att underskattas om elverktøget regelbundet används på ett sådant sätt.

OBSERVERA

- ▶ För en mer precis bedömning av vibrationsexponeringen vid en speciell arbetsprocess bör även hänsyn tas till den tid produkten är avstängd eller är påkopplad, men inte används. Detta kan komma att minska vibrationsexponeringen väsentligt för den totala arbetstiden.



Allmän säkerhetsinformation för elverktøget

⚠ VARNING!

- ▶ Läs igenom all säkerhetsinformation och alla anvisningar. Om nedanstående anvisningar inte följs kan det leda till elektrisk stöt, brand och/eller svåra personskador.

Spara all säkerhetsinformation och alla anvisningar för framtida bruk.

Begreppet "Elverktøget" som används i säkerhetsinformationen syftar på elverktøget (med strömkabel) och batteridrivna elverktøget (utan nätkabel).

1. Säkerhet på arbetsplatsen

- Håll alltid arbetsplatsen ren och se till att belysningen är god. En slarvig arbetsplats utan belysning kan leda till olyckor.
- Använd inte elverktøget där det finns risk för explosion eller där det finns brännbara vätskor, gaser eller damm i omgivningen. Elverktøget ger upphov till gnistor som kan antända damm eller ångor.

- Håll barn och obehöriga personer på avstånd när du arbetar med elektriska verktyg. Om du förlorar uppmärksamheten kan du också förlora kontrollen över verktyget.

2. Elsäkerhet

- Elverktøgets anslutningskontakt måste passa precis i uttaget. Kontakten får inte förändras på något sätt. Använd inte adapterkontakter tillsammans med skyddsjordade elverktøget. Intakta kontakter som passar precis i uttaget minskar risken för elstötar.
- Undvik kroppskontakt med jordade ytor, t ex rör, värmeelement, spisar och kylskåp. Risken för elstötar ökar om din kropp är jordad.
- Skydda produkten från regn och fukt. Om det tränger in vatten i ett elverktøget ökar risken för elstötar.
- Använd inte kabeln till något annat än det den är avsedd för, bär eller häng t ex aldrig produkten i kabeln och dra aldrig i kabeln när du ska dra ut kontakten. Håll kabeln på avstånd från hetta, olja, vassa kanter och rörliga delar. Skadade och trassliga kablar och kontakter ökar risken för elstötar.
- Om du arbetar utomhus med ett elverktøget får du endast använda en förlängningskabel som är godkänd för utomhusbruk. Risken för elstötar minskar när man använder en förlängningskabel som är godkänd för utomhusbruk.
- Om du inte kan undvika att använda elverktøget i fuktig miljö ska du använda en jordfelsbrytare. Risken för elstötar minskar när man använder jordfelsbrytare.

3. Personssäkerhet

- Förlora aldrig uppmärksamheten på din arbetsuppgift och använd sunt förnuft när du arbetar med elverktøget. Använd aldrig ett elverktøget om du är trött eller om du är påverkad av alkohol, droger eller mediciner. Ett ögonblicks bristande uppmärksamhet när du använder elverktøget kan leda till allvarliga skador.

- b) Använd personlig skyddsutrustning och ta alltid på dig skyddsglasögon. Personlig skyddsutrustning som dammskyddsmask, halkfria skor, skyddshandskar, skyddshjälm eller hörselskydd, beroende på vilket arbete som utförs, minskar risken för skador.
- c) Se till att inte sågen kan sättas på av misstag. Försäkra dig om att elverktyget är avstängt innan du ansluter det till strömförsörjningen, lyfter upp det eller bär det. Om du håller fingret på PÅ/AV-knappen när du bär elverktyget eller om den redan är påslagen när du ansluter den till ett eluttag kan det lätt hända en olycka.
- d) Ta bort justeringsverktyg eller skruvnycklar innan du sätter på elverktyget. Om ett verktyg befinner sig i en rörlig del kan det hända en olycka.
- e) Undvik onormala kroppsställningar. Se till att du står stadigt och inte kan tappa balansen. Då kan du lättare kontrollera elverktyget, särskilt i oväntade situationer.
- f) Använd alltid lämpliga kläder. Använd inte vida klädesplagg eller smycken. Akta så att inte hår, kläder eller handskar fastnar i rörliga delar. Löst sittande kläder, smycken eller långt hår kan fastna i rörliga delar.
- g) Om dammsugs- och uppfångstanordningar kan monteras måste du se till att dessa är anslutna och används på rätt sätt: Genom att använda en dammsugsanordning kan risker orsakade av damm minskas.
- d) Förvara alltid elverktyg utom räckhåll för barn. Låt inte personer som inte är insatta i hur produkten används eller som inte har läst igenom dessa anvisningar använda den. Elverktyg utgör en fara för oerfarna personer.
- e) Underhåll elverktyg noggrant. Kontrollera att rörliga delar fungerar som de ska och inte är fastklämda. Kontrollera även om delar gått av eller skadats så att det påverkar elverktygets funktion. Lämna in skadade delar för reparation innan du använder produkten igen. Många olyckor har sin orsak i dåligt underhållna elverktyg.
- f) Håll alltid skärande verktyg rena och vassa. Noggrant skötta verktyg med skarpa eggar kläms inte fast så lätt och är enklare att styra.
- g) Använd elverktyg, tillbehör, insticksverktyg mm enligt denna bruksanvisning. Ta hänsyn till arbetsförhållanden och det arbete som ska utföras. Om elverktyg används på andra sätt än de föreskrivna kan det uppstå farliga situationer.

5. Service

- a) Låt endast kvalificerade yrkesmän reparera eller byta ut delar på elverktyget. Endast originaldelar ska användas. Då kan du känna dig säker på att produkten är lika säker att använda som tidigare.

Produktspecifik säkerhetsinformation för sticksågar

4. Användning och hantering av elverktyget

- a) Överbelasta inte elverktyget. Använd alltid rätt sorts elverktyg till det arbete som ska utföras. Med rätt verktyg arbetar du lättare och säkrare arbete.
- b) Använd inte elverktyg med trasiga brytare. Ett verktyg som inte längre går att sätta på och stänga av är farligt och måste repareras.
- c) Dra alltid ur kontakten på ur uttaget innan du gör några inställningar, byter delar eller sätter undan produkten. Det är en försiktighetsåtgärd för att förhindra att elverktyget sätts på av misstag.

- Håll endast elverktyget i grepp som är isolerade om elverktyget under arbetet riskerar att komma åt en dold strömförande ledning eller sin egen strömkabel. Kontakt med en spänningsförande ledning kan göra att metalldelar på elverktyget blir strömförande, vilket kan ge elstöt.
- Låt inte händerna komma i närheten av det område som sägas. Håll inte under arbetsstycket. Vid kontakt med sågbladet finns risk för skador.
- Håll händerna på avstånd från stängen och snabbfästet. Vid kontakt med dessa delar finns risk för klämskador.

- Se till att elverktyget är påkopplat när du för det mot arbetsstycket. Annars finns risk för att elverktyget kastas bakåt.
- Se till att fotplattan **7** ligger an vid sågning.
- Stäng av elverktyget när du avslutat ditt arbete och dra inte ut sågbladet **15** ur sågsnittet förrän verktyget har stannat. På så sätt undviker du att verktyget slår bakåt och kan lägga ifrån dig det utan risk.
- Använd endast oskadade och felfria sågblad. Böjda eller trubbiga sågblad kan gå av eller orsaka att verktyget slår bakåt.
- Bromsa inte sågbladet **15** när sågen stannat genom att trycka det sidledes. Sågbladet **13** kan skadas, brytas eller orsaka att verktyget slår bakåt.
- Spänn fast arbetsstycket. Använd fastspänningsanordningar/skruvstöd för att hålla fast det. Då sitter det säkrare fast än om du håller i det med handen.
- Dra alltid strömkabeln bakåt, i riktning från produkten.
- Använd aldrig sticksågen för att bearbeta fuktiga material eller ytor.
- **Risk på grund av damm!** Anslut produkten till en lämplig dammutsuganordning om du bearbetar trä under lång tid, i synnerhet om materialet ger upphov till hälsofarligt damm.
- Använd dammskyddsmask!
- Sörj för god ventilation.



WARNING! Skydda dig från laserstrålning:



- Titta aldrig direkt in i laserstrålen eller laserstrålens öppning.

! WARNING!

- ▶ Att se in i laserstrålens öppning med ett optiskt instrument (t.ex. lupp, förstoringsglas o dyl) innebär risk för ögonskador.
- ▶ Akta! Om man använder andra anordningar eller metoder än de som anges här för att manövrera och justera produkten kan följden bli att farlig laserstrålning kommer ut i omgivningen.

- Rikta aldrig ljusstrålen mot reflekterande ytor, människor eller djur. Att endast under en mycket kort stund titta in i laserstrålen kan ge upphov till ögonskador.

Originaltillbehör / extrautrustning

- **Använd endast tillbehör och extrautrustning som anges i bruksanvisningen eller vars fäste är kompatibelt med produkten.**

Information om sågblad

Grundutrustningen för Parkside sticksåg innehåller sågblad för standardbearbetning av trä och metall.

- 3 sågblad för vanliga snitt i trä
- 1 sågblad för lättmetall upp till 3 mm

OBSERVERA

- ▶ Du kan emellertid också använda alla andra typer av sågblad, förutsatt att de har ett passande fäste (enkelnockskäft).

Typ av sågblad

lämpligt	ej lämpligt

Ta produkten i bruk

Montera / byta ut sågblad

Dra alltid ut kontakten innan du gör några arbeten på elverktyget.

- ◆ Fäll upp skyddshuven **16**.
- ◆ Vrid snabbfästet **17** och håll kvar det i detta läge.
- ◆ Tryck fast ett lämpligt sågblad tills det tar stopp i snabbfästet **17**.
- ◆ Släpp snabbfästet **17**, det ska återgå till sitt utgångsläge. Sågbladet är nu låst.

Montera parallellanslaget

Parallellanslaget **11** kan monteras på höger eller vänster sida av sticksågen.

- ◆ Lossa de båda låsskruvarna i insticksöppningarna **14**.
- ◆ För in parallellanslaget **11** i öppningarna **14**.
- ◆ Skruva åt de båda låsskruvarna igen.

Ansluta spånutsuget

- ◆ Stick in utsugsmunstycket **6** i utsugskanalen tills det sitter fast.
- ◆ Anslut en tillåten damm- och spån sug till utsugsmunstycket **6**.

Montera glidskon

När man bearbetar ömtåliga ytor kan glidskon **8** sättas på fotplattan **7** för att ytan inte ska repas.

- ◆ Häng glidskon **8** framtill på fotplattan **7** och tryck upp den baktill tills den snäpper fast i fotplattan **7**.
- ◆ För att ta ut glidskon **8** lossar du den i den bakre delen av fotplattan **7** och drar den framåt tills den lossnar.

Användning

Ställa in sågvinkel:

- ◆ Lossa spännskruvarna **19** med sexkantnyckeln **21** och dra fotplattan **7** bakåt.

- ◆ Ställ in sågvinkeln $0^\circ / 15^\circ / 30^\circ / 45^\circ$ med hjälp av markeringarna på fotplattan **7**. Skjut fotplattan **7** framåt så att låstappen hakar fast i tandningen **20**.

- ◆ Dra åt spännskruvarna **19** med sexkantnyckeln **21**.

Inställning av slaghastighet

- ◆ Ställ in önskat slaghastighet med inställningshjulet **1**.

Inställning av pendelslag

- ◆ Med vredet **10** kan sågbladets **13** pendelrörelse ställas in. Utan pendelrörelse (läge "0") får du fina och rena snittkanter. Koppla bort pendelfunktionen när du arbetar med tunna arbetsstycken. Med aktiverad pendelrörelse (läge 1-3) snabbas arbetsprocessen upp.

Sätta på / Stänga av produkten

Sätta på produkten:

Tryck på PÅ/AV-knappen **3**.

Stänga av produkten:

Släpp PÅ/AV-knappen **3**.

Koppla på kontinuerlig drift:

Tryck in PÅ/AV-knappen **3** och spärra den i det läget med låsknappen för PÅ/AV-funktion **2**.

Koppla från kontinuerlig drift:

Tryck på PÅ/AV-knappen **3** och släpp den sedan.

Koppla på och av laser / arbetsljus

PÅ/AV-knapp:

Tryck på PÅ/AV-knappen **18** tills önskad funktion är aktiverad.


LASER och ARBETSBELYSNING → ARBETSBELYSNING → LASER → STÄNG AV

Spånblåsfunktion

Koppla på spånblåsfunktion:

- ◆ Skjut spånblåsreglaget **9** bakåt.

Öka spånblåsfunktionen:

- ♦ Skjut spånblåsreglaget  framåt.

Underhåll och rengöring




WARNING! RISK FÖR PERSONSKADOR! Stäng alltid av produkten och dra ut strömkabeln vid alla arbeten på produkten.

dra ut strömkabeln vid alla arbeten på produkten.

- Produkten ska alltid vara ren, torr och fri från olja och smörjfett.
- Använd en mjuk trasa för att torka av höljet utvändigt.

WARNING!

- Om en anslutningskabel behöver bytas ut ska det göras av tillverkaren eller dennes representant för att undvika risken för olyckor.
- Byt ut sågbladet  omedelbart om tändningen är trubbig så att det inte går att såga exakt.
- Rengör produkten genast när du använt den.
- Ta bort smuts (t.ex. sågspån) Rengör sågbladet med en pensel eller med tryckluft när det behövs.

Garanti och service

För den här produkten lämnar vi 3 års garanti från och med inköpsdatum. Den här produkten har tillverkats med omsorg och testats noga innan leveransen. Var god bevara kasskvittot som köpbevis. Vi ber dig kontakta vår kundtjänst per telefon vid garantifall. Bara då kan du skicka in produkten utan kostnad.

Garantin gäller endast för material- eller fabriktionsfel, den täcker inte transportskador, förlitningsdelar eller skador på ömtåliga delar, t ex knappar och batterier. Produkten är endast avsedd för privat bruk och ska inte användas yrkesmässigt.

Vid missbruk och felaktig behandling, användande av våld och vid ingrepp som inte gjorts av vår auktoriserade servicefilial upphör garantin att gälla. Den lagstadgade garantin begränsas inte av denna garanti.

Garantitiden förlängs inte för att man utnyttjat garantin. Det gäller även för utbyta och reparerade delar. Eventuella skador och brister som existerar redan vid köpet måste rapporteras så snart produkten packats upp, dock senast två dagar efter köpdatum. När garantitiden är slut måste man betala för eventuella reparationer.

Service Sverige

Tel.: 0770 930739

E-Mail: kompennass@lidl.se

IAN 90967

Service Suomi

Tel.: 010309 3582

E-Mail: kompennass@lidl.fi

IAN 90967

Tillgänglighet Hotline: Måndag till fredag kl. 08.00 - 20.00 (CET)

Importör

KOMPERNASS HANDELS GMBH
BURGSTRASSE 21
44867 BOCHUM
GERMANY
www.kompennass.com

Kassering



Förpackningen består av miljövänligt material som kan lämnas in till den lokala återvinningen.



Kasta aldrig elektriska verktyg och maskiner i hushållssoporna!

Enligt EU-direktiv 2002/96/EC måste uttjänta elverktyg tas isär och de olika delarna lämnas in separat till rätt typ av miljövänlig återvinning.

Fråga på din kommun eller stadsdelsförvaltning om möjligheterna att lämna uttjänta apparater till återvinning.

Förklaring om överensstämmelse / Tillverkarförsäkran **CE**

Företaget KOMPERNASS GMBH, dokumentansvarig:
Herr Semi Uguzlu, BURGSTR. 21, 44867 BOCHUM,
TYSKLAND, intygar härmed att denna produkt överensstämmer med följande standarder, normerande dokument och EU-direktiv:

**Maskindirektiv
(2006 / 42 / EC)**

**EU:s lågspänningsdirektiv
(2006 / 95 / EC)**

**Direktivet för elektromagnetisk kompatibilitet
(EMC-direktiv)
(2004 / 108 / EC)**

**RoHS-direktiv
(2011 / 65 / EU)**

Tillämpade harmoniserande normer:

EN 60745-1 / A11: 2010

EN 60745-2-11: 2010

EN 62233: 2008

EN 55014-1 / A2: 2011

EN 55014-2 / A2: 2008

EN 61000-3-2 / A2: 2009

EN 61000-3-3: 2008

Typbeteckning:

Pendelsticksåg PSTD 800 A1

Tillverkningsår: 07-2013

Serienummer: IAN 90967

Bochum, 31.07.2013



Semi Uguzlu

- Kvalitetsansvarig -

Med reservation för ändringar på grund av den tekniska utvecklingen.

Indholdsfortegnelse

Indledning	26
Anvendelsesområde	26
Udstyr	26
Pakkens indhold	26
Tekniske data	26
Generelle sikkerhedshenvisninger for elværktøj	27
1. Sikkerhed på arbejdsstedet	27
2. Elektrisk sikkerhed	27
3. Personsikkerhed	27
4. Anvendelse og håndtering af elværktøjet	28
5. Service	28
Specielle sikkerhedshenvisninger for stiksave	28
Originalt tilbehør/originale ekstraapparater	29
Oplysninger om savklinger	29
Ibrugtagning	30
Montering/udskiftning af savklinge	30
Montering af parallelanslag	30
Tilslutning af spånudsugning	30
Monter glidesko	30
Betjening	30
Indstilling af snitvinkel	30
Indstilling af slagtal	30
Indstilling af pendulslag	30
Sådan tændes / slukkes værktøjet	30
Tænd og sluk forlaser / arbejdslys	30
Spånblæsefunktion	31
Vedligeholdelse og rengøring	31
Garanti og service	31
Importør	31
Bortskaffelse	31
Overensstemmelseserklæring / producent	32

PENDULSTIKSAV PSTD 800 A1

Indledning



Tillykke med købet af dit nye produkt. Du har dermed valgt et produkt af høj kvalitet. Betjeningsvejledningen er en del af dette produkt. Den indeholder vigtige informationer om sikkerhed, anvendelse og bortskaffelse. Du bedes sætte dig ind i alle produktets betjenings- og sikkerhedsanvisninger før brug. Brug kun produktet som beskrevet og kun til de angivne anvendelsesområder. Lad vejledningen følge med produktet, hvis du giver det videre til andre.

Anvendelsesområde

Produktet er beregnet til lige og kurvede snit samt geringssnit på op til 45° på kantede emner i plast, træ og letmetal. Produktet er udelukkende beregnet til privat brug i tørre rum. Vær opmærksom på anvisningerne vedrørende savklingetyper. Enhver anden form for anvendelse eller ændring af produktet anses for at være uden for anvendelsesområdet og indebærer betydelige farer for uheld. Producenten påtager sig intet ansvar for skader, der opstår som følge af anvendelse uden for anvendelsesområdet.

Udstyr

- 1 Indstillingshjul til forvalg af slagtal
- 2 Låsetast tænd-/slukkontakt
- 3 Tænd-/slukkontakt
- 4 Hus
- 5 Netkabel
- 6 Udsugningsstuds
- 7 Fodplade
- 8 Glidesko (aftagelig)
- 9 Kontakt spånblæseanordning
- 10 Slagkontakt
- 11 Parallelslag
- 12 Føringsrulle
- 13 Savklinge
- 14 Indføringsåbninger (inkl. fastspændingsskrue)
- 15 Beskyttelsesbøjle
- 16 Opklappelig skærm

- 17 Hurtigskiftepatron
- 18 TÆND-/SLUK-kontakt laser/arbejdslys
- 19 Klemskruer
- 20 Fortanding
- 21 Unbrakonøgle

Pakkens indhold

- 1 stiksav inkl. udsugningsstuds
- 1 parallelslag
- 1 betjeningsvejledning
- 3 savklinger til træforarbejdning
- 1 savklinge til metalforarbejdning

Tekniske data

Stiksav:	Parkside PSTD 800 A1
Mærkespænding:	230 V ~ 50 Hz
Strømforbrug:	800 W
Tomgangssløst:	maks. n_0 3100 min ⁻¹
Skæredybde:	Træ/ metal: 80/8 mm
Pendulslag:	3 trin og finsnitsindstilling
Skråsnit:	0 - 45° venstre/højre
Beskyttelsesklasse:	II/□

Støj- og vibrationsoplysninger:

Måleværdi for støj beregnet iht. EN 60745. Det A-målte støjniveau for elværktøjet er typisk:

Lydtryksniveau: 94 dB(A)

Lydeffektniveau: 105 dB(A)

Usikkerhed K: 3 dB



Bær høreværn!

Vurderet acceleration, typisk:

Hånd-/armvibration $a_h = 8,6 \text{ m/s}^2$

Usikkerhed K = 1,5 m/s^2

⚠ ADVARSEL!

- ▶ Vibrationsniveauet, som er angivet i disse anvisninger er målt med en målemetode, der er standardiseret efter EN 60745, og som kan anvendes til sammenligning af apparater. Den angivne svingningsemissionsværdi kan også anvendes til en indledende vurdering af udsættelsen. Vibrationsniveauet ændrer sig alt efter anvendelsen af elværktøjet og kan i mange tilfælde ligge over den angivne værdi i disse anvisninger. Vibrationsbelastningen kan undervurderes, hvis elværktøjet anvendes jævnlgt på denne måde.

BEMÆRK

- ▶ For at opnå en nøjagtig vurdering af vibrationsbelastningen i et bestemt arbejdstidsrum er man også nødt til at medregne de tidspunkter, hvor apparatet er slukket, eller ganske vist er tændt, men ikke anvendes. Dette kan reducere vibrationsbelastningen over hele tidsrummet betydeligt.



Generelle sikkerhedshenvisninger for elværktøj

⚠ ADVARSEL!

- ▶ Læs alle sikkerhedshenvisninger og anvisninger. Hvis de angivne anvisninger ikke overholdes, kan det medføre elektrisk stød, brand og/eller alvorlige kvæstelser.

Opbevar sikkerhedshenvisningerne og anvisningerne til senere brug.

Begrebet "elværktøj", der anvendes i sikkerhedshenvisningerne, henviser til elværktøj, der anvendes med kabel til lysnettet og akku-drevet elværktøj (uden strømkabel).

1. Sikkerhed på arbejdsstedet

- Hold arbejdsområdet rent og godt oplyst. Rod og dårligt oplyste arbejdsområder kan medføre uheld.
- Arbejd aldrig med elværktøj i eksplosionsfarlige omgivelser, hvor der befinder sig brændbare væsker, gasser eller støv. Elværktøj danner gnister, som kan antænde støvet eller dampene.

- Hold børn og andre personer på afstand under brugen af elværktøjet. Hvis du bliver distraheret, kan du miste kontrollen over værktøjet.

2. Elektrisk sikkerhed

- Elværktøjets tilslutningsstik skal passe til stikkontakten. Stikket må på ingen måde ændres. Der må ikke bruges adapterstik til elværktøj, der er tilsluttet jord. Uændrede stik og de rigtige stikkontakter reducerer risikoen for elektrisk stød.
- Undgå kropskontakt med overflader med jordforbindelse som f.eks. rør, radiatorer, komfurer og køleskabe. Der er øget risiko for elektrisk stød, hvis din krop har jordforbindelse.
- Beskyt elværktøj mod regn og fugt. Hvis der trænger vand ind i et elværktøj, øges risikoen for elektrisk stød.
- Brug ikke kablet til noget, det ikke er beregnet til, f.eks. til at bære eller hænge produktet op i eller til at trække stikket ud af stikkontakten. Hold kablet på afstand af varme, olie, skarpe kanter eller dele af produktet, der er i bevægelse. Beskadigede eller sammenfiltrede ledninger eller stik øger risikoen for elektrisk stød.
- Hvis du anvender et elværktøj i det fri, skal der bruges en forlængerledning, som også er godkendt til brug udendørs. Når du anvender en forlængerledning, der er beregnet til anvendelse udendørs, reduceres risikoen for elektrisk stød.
- Hvis det ikke er muligt at undgå at bruge elværktøjet i fugtige omgivelser, skal der bruges en fejlstrømsafbryder. Brugen af en fejlstrømsafbryder reducerer risikoen for elektrisk stød.

3. Personssikkerhed

- Vær altid opmærksom, og vær bevidst om, hvad du laver og arbejd fornuftigt med elværktøj. Brug ikke elværktøj, hvis du er ukoncentreret eller påvirket af narkotika, alkohol eller medicin. Selv et øjeblikvis uopmærksomhed ved brug af elværktøjet kan medføre alvorlige kvæstelser.

- b) Brug personligt beskyttelsesudstyr og bær altid beskyttelsesbriller. Når du bruger personligt beskyttelsesudstyr som f.eks. støvmaske, skridsikre sikkerhedssko, beskyttelseshandsker, sikkerhedshjelm og høreværn, afhængigt af typen og anvendelsen af elværktøj, reduceres risikoen for kvæstelser.
- c) Undgå utilsigtet igangsætning. Kontrollér, at elværktøjet er slukket, før du forbinder det med elforsyningen eller tager det op eller bærer det. Hvis du har en finger på kontakten, eller hvis produktet er tændt, mens du bærer det, kan der opstå uheld.
- d) Fjern indstillingsværktøj eller skruenøgler, før du tænder elværktøjet. Et værktøj eller en skrueøgle, der sidder på en roterende del af produktet, kan medføre personskader.
- e) Undgå unormal kroppsstilling. Sørg for, at du står sikkert, og hold altid balancen. På denne måde kan du bedre kontrollere elværktøjet i uventede situationer.
- f) Brug egnet påklædning. Brug ikke løstsiddende tøj eller smykker. Hold hår, tøj og handsker på afstand af dele, der bevæger sig. Løst tøj, smykker eller hår kan gribe fat i dele, der bevæger sig.
- g) Hvis der monteres opsnagnings- og opfangs-anordninger, skal disse tilsluttes og anvendes korrekt. Anvendelse af den slags anordninger nedsætter faremomenterne som følge af støv.
- d) Opbevar elværktøj uden for børns rækkevidde, når værktøjet ikke anvendes. Lad ikke personer benytte produktet, som ikke kender det, eller som ikke har læst disse anvisninger. Elværktøj er farligt, hvis det anvendes af uerfarne personer.
- e) Vedligehold elværktøj omhyggeligt. Kontrollér, om bevægelige dele fungerer, som de skal, og ikke sætter sig fast, om dele er defekte eller så beskadigede, at produktet ikke kan fungere længere. Få beskadigede dele repareret, før du bruger produktet. Mange uheld skyldes dårligt vedligeholdt elværktøj.
- f) Hold skærende værktøjer skarpe og rene. Omhyggeligt vedligeholdt værktøj med skarpe skær sætter sig ikke så ofte fast og er lettere at styre.
- g) Brug elværktøj, tilhører, udskiftelige dele osv. efter disse anvisninger. Tag hensyn til arbejdsbetingelserne og det arbejde, der skal udføres. Anvendelse af elværktøj til andet end de tiltænkte anvendelsesområder kan føre til farlige situationer.

5. Service

- a) Lad kun kvalificeret fagpersonale reparere dit elværktøj og kun med originale reservedele. På denne måde sikres det, at elværktøjets sikkerhed bevares.

Specielle sikkerhedshenvisninger for stiksav

4. Anvendelse og håndtering af elværktøjet

- a) Overbelast ikke produktet. Brug elværktøj, der er egnet til arbejdet. Du arbejder bedre og mere sikkert i det angivne effektområde, hvis du bruger det rigtige elværktøj.
- b) Brug ikke elværktøj, hvor kontakten er defekt. Elværktøj, som ikke længere kan tændes og slukkes, er farligt og skal repareres.
- c) Træk stikket ud af stikkontakten, før du foretager indstillinger på elværktøjet, skifter tilbehørsdele eller lægger elværktøjet fra dig. Disse forholdsregler forhindrer, at elværktøjet starter op ved en fejl.

- Hold fast i elværktøjet på de isolerede gribeplader, når du udfører et arbejde, hvor elværktøjet kan ramme skjulte elledninger eller apparatets egen ledning. Kontakten med en spændingsførende ledning kan også sætte produktdele under spænding og medføre elektrisk stød.
- Hold fingrene væk fra selve saveområdet. Hold ikke under arbejdsemnet. Ved kontakt med savklingen er der risiko for personskader.
- Hold hænderne væk fra stødstangen og hurtigskiftepatronen. Ved kontakt med savens dele er der risiko for personskader.

DK

- Elværktøjet skal være tændt, når du fører det hen mod emnet. I modsat fald er der fare for tilbageslag.
- Sørg for, at fodpladen **7** er på ved savning.
- Sluk elværktøjet efter brug og træk først savklingen **13** ud af snittet, når den er standset. På den måde undgår du tilbageslag og kan lægge elværktøjet sikkert fra dig.
- Brug kun ubeskadigede savklinger. Bukkede eller sløve savklinger kan knække eller forårsage et tilbageslag.
- Når elværktøjet slukkes, må savklingen **13** ikke bremses af et tryk fra siden. Savklingen **13** kan blive beskadiget, knække eller forårsage et tilbageslag.
- Sørg for at fastgøre arbejdsemnet. Brug fastspændingsanordninger/skruestik til at holde emnet fast. På denne måde holdes det bedre fast, end hvis du holder det med hånden.
- Hold altid netledningen bagud og væk fra værktøjet.
- Let fugtige materialer eller fugtige overflader må ikke bearbejdes.
- **Fare på grund af støv!** Tilslut værktøjet til en egnet, ekstern støvudsugningsanordning, når du i længere tid bearbejder træ og især materialer, hvor der dannes sundhedsskadeligt støv.
- Brug støvmaske!
- Sørg for tilstrækkelig udluftning.



ADVARSEL! Beskyt dig mod laserstråling:



- Se ikke direkte ind i laserstrålen eller åbningen, hvor strålen kommer fra.

ADVARSEL!

- ▶ Hvis du kigger ind i laserudgangen med optiske instrumenter (f.eks. lup, forstørrelsesglas og lign.), er der risiko for øjenskader.
- ▶ Forsigtig! Hvis der bruges andre metoder end de betjenings- eller justeringsenheder, der er nævnt her, kan det føre til farlig strålingspåvirkning.

- Ret aldrig lysstrålen mod reflekterende flader, andre personer eller dyr. Et kort øjeblik øjenkontakt med laserstrålen kan medføre øjenskader.

Originalt tilbehør/originale ekstraapparater

- Brug kun tilbehør og ekstra apparater, som er anført i betjeningsvejledningen, eller hvis holder er kompatibel med elværktøjet.

Oplysninger om savklinger

Parkside-basisudstyret indeholder savklinger til anvendelse fortrinsvist i træ og metal.

- 3 savklinger til almindelig træsnit
- 1 savklinge til letmetal op til 3 mm

BEMÆRK

- ▶ Du kan også bruge andre savklinger, hvis de har den rigtige klingeholder.

Savklingetype

egnet	ikke egnet

Ibrugtagning

Montering/udskiftning af savklinge

Træk elstikket ud af stikkontakten, før du rengør produktet.

- ◆ Skub opklappelig skærm **16** opad.
- ◆ Drej hurtigskiftepatronen **17** og hold den drejet.
- ◆ Tryk savklingen i hurtigskiftepatronen indtil anslag **17**.
- ◆ Slip hurtigskiftepatronen **17**; den skal gå tilbage til udgangsposition. Nu er savklingen låst fast.

Montering af parallelanslag

Parallelanslaget **11** kan fastgøres på venstre eller højre side af produktet.

- ◆ Løsn begge fastspændingsskruer på indføringsåbningerne **14**.
- ◆ Skub parallelanslaget **11** ind i indføringsåbningerne **14**.
- ◆ Skru fastspændingsskruerne fast igen.

Tilslutning af spånudsugning

- ◆ Stik udsugningsstudsens **6** ind i udsugningskanalen, indtil den er fastklemt.
- ◆ Tilslut en godkendt støv- og spånudsugning til udsugningsstudsens **6**.

Monter glidesko

Ved bearbejdning af følsomme overflader, kan du anbringe glideskoen **8** på fodpladen **7** for at forhindre, at overfladen bliver kradset.

- ◆ Hæng glideskoen **8** ind foran på fodpladen **7** og tryk den opad bagtil indtil den går i hak med fodpladen **7**.
- ◆ For at fjerne glideskoen **8**, skal du løsne den på bagerste del af fodpladen **7** og trække den fremad.

Betjening

Indstilling af snitvinkel

- ◆ Løsn klemeskruerne **19** med unbrakonøglen **21**, og træk fodpladen **7** bagud.
- ◆ Indstil snitvinklen 0° / 15° / 30° / 45° ved hjælp af markeringerne på fodpladen **7**. Skub fodpladen **7** fremad, så låsestiften klikker fast i fortandingen **20**.
- ◆ Spænd klemeskruerne **19** med unbrakonøglen **21**.

Indstilling af slagtal

- ◆ Indstil det ønskede slagtal med indstillingshjulet **1**.

Indstilling af pendulslag

- ◆ Du kan indstille savklingsens **15** pendulbevægelser med slagkontakten **10**. Uden pendulbevægelse (position "0") får du fine og rene snitkanter. Frakobl pendulslaget ved tynde arbejdsemner. Med aktiveret pendulslag (position 1-3) opnår du en tiltagende, hurtigere arbejdsgang.

Sådan tændes / slukkes værktøjet

Sådan tændes produktet:

Tryk på TÆND-/SLUK-kontakten **3**.

Sådan slukkes produktet:

Slip TÆND-/SLUK-kontakten **3**.

Aktivering af permanent drift:

Tryk på TÆND-/SLUK-kontakten **3** og fastlås den i nedtrykket tilstand med låsetasten til TÆND-/SLUK-kontakten **2**.

Deaktivering af permanent drift:

Tryk på TÆND-/SLUK-kontakten **3**, og slip den igen.

Tænd og sluk forlaser / arbejdsllys

TÆND-/SLUK-kontakt:

Tryk på TÆND-/SLUK-kontakten **18**, indtil den ønskede funktion er aktiv.

LASER og ARBEJDSLYS → ARBEJDSLYS →

LASER → SLUK

Spånblæsefunktion

Start spånblæsefunktionen:

- ◆ Skub kontakten spånblæseanordning  bagud.

Understøt udsugningfunktionen:

- ◆ Skub kontakten spånblæseanordning  fremad.


Vedligeholdelse og rengøring



ADVARSEL! FARE FOR PERSONSKADER! Sluk produktet før alt arbejde og træk kontakten ud af stikkontakten.

- Produktet skal altid være rent, tørt og uden olie eller smørefedt.
- Anvend en blød klud til rengøring af huset.

ADVARSEL!

- Hvis det bliver nødvendigt at udskifte tilslutningsledningen, skal dette udføres af producenten eller dennes repræsentant for at undgå sikkerhedsmæssige farer.
- Udskift savklingen  så snart fortandingen bliver sløv, så savarbejdet kan udføres problemfrit.
- Rengør produktet straks efter, at savarbejdet er afsluttet.
- Fjern snavs (f.eks. savspåner). Rengør savklingeholderen med en pensel eller ved at blæse den ren med trykluft.

Garanti og service

På dette produkt får du 3 års garanti fra købsdatoen. Produktet er produceret omhyggeligt og inden levering afprøvet samvittighedsfuldt. Opbevar kassebonen som bevis for købet. Kontakt venligst serviceafdelingen telefonisk, hvis du ønsker at gøre brug af garantien. Derved garanteres det, at tilsendelsen af varen er gratis.

Garantien gælder kun for materiale- og fabrikkationsfejl og ikke for transportskader, sliddele eller skrøbelige dele som f.eks. kontakten eller batterier. Produktet er kun beregnet til privat og ikke til erhvervs-mæssig brug.

Ved misbrug og uhensigtsmæssig behandling, anvendelse af vold og ved indgreb, som ikke er foretaget af vores autoriserede serviceafdeling, bortfalder garantien. Dine juridiske rettigheder forringes ikke af denne garanti.

Garanti-perioden forlænges ikke, hvis der gøres brug af garantien. Det gælder også for udskiftede og reparerede dele. Skader og mangler, som eventuelt forefindes allerede ved køb, skal straks anmeldes efter udpakning og senest to dage efter købsdatoen. Når garanti-perioden er udløbet, er reparation af skader betalingspligtig.

 **Service Danmark**
Tel.: 32 710005
E-Mail: kompernass@lidl.dk
IAN 90967

Åbningstid for hotline:

Mandag til fredag fra kl. 8:00 – 20:00 (MET)

Importør

KOMPERNASS HANDELS GMBH
BURGSTRASSE 21
44867 BOCHUM
GERMANY
www.kompernass.com

Bortskaffelse



Emballagen består af miljøvenlige materialer, som kan bortskaffes på de lokale genbrugspladser.



Smid ikke elværktøj ud sammen med husholdningsaffald!

I henhold til det europæiske direktiv 2002/96/EC skal kasseret elværktøj samles sammen separat og afleveres til miljøvenligt genbrug.

Du kan få oplysninger hos kommunen om bortskaffelse af udtjente apparater.

Overensstemmelseserklæring / producent CE

Vi, KOMPERNASS GMBH, dokumentansvarlige:
Semi Uguzlu, BURGSTR. 21, 44867 BOCHUM,
TYSKLAND, erklærer hermed, at dette produkt
stemmer overens med de følgende standarder,
normative dokumenter og EU-direktiver:

**Maskindirektivet
(2006 / 42 / EC)**

**EF-lavspændingsdirektiv
(2006 / 95 / EC)**

**Elektromagnetisk kompatibilitet
(2004 / 108 / EC)**

**RoHS-direktivet
(2011 / 65 / EU)**

Anvendte harmoniserede standarder:

EN 60745-1 / A11: 2010

EN 60745-2-11: 2010

EN 62233: 2008

EN 55014-1 / A2: 2011

EN 55014-2 / A2: 2008

EN 61000-3-2 / A2: 2009

EN 61000-3-3: 2008

Typebetegnelse for maskinen:

Pendulstiksav PSTD 800 A1

Produktionsår: 07-2013

Serienummer: IAN 90967

Bochum, 31-07-2013



Semi Uguzlu

- Kvalitetschef -

Vi forbeholder os ret til tekniske ændringer med
henblik på videreudvikling.

Inhaltsverzeichnis

Einleitung	34
Bestimmungsgemäßer Gebrauch	34
Ausstattung	34
Lieferumfang	34
Technische Daten	34
Allgemeine Sicherheitshinweise für Elektrowerkzeuge	35
1. Arbeitsplatz-Sicherheit	35
2. Elektrische Sicherheit	35
3. Sicherheit von Personen	36
4. Verwendung und Behandlung des Elektrowerkzeugs	36
5. Service	37
Gerätespezifische Sicherheitshinweise für Stichsägen	37
Originalzubehör/-zusatzgeräte	38
Informationen zu Sägeblättern	38
Inbetriebnahme	38
Sägeblatt montieren / wechseln	38
Parallelanschlag montieren	38
Spanabsaugung anschließen	38
Gleitschuh montieren	38
Bedienung	38
Schnittwinkel einstellen	38
Hubzahl einstellen	39
Pendelhub einstellen	39
Einschalten / Ausschalten	39
Laser / Arbeitslicht ein-/ausschalten	39
Spanblasfunktion	39
Wartung und Reinigung	39
Garantie und Service	40
Importeur	40
Entsorgung	40
Konformitätserklärung / Hersteller	41

PENDELHUBSTICHSÄGE

PSTD 800 A1

Einleitung



Wir beglückwünschen Sie zum Kauf Ihres neuen Gerätes. Sie haben sich damit für ein hochwertiges Produkt entschieden. Die Bedienungsanleitung ist Teil dieses Produkts. Sie enthält wichtige Hinweise für Sicherheit, Gebrauch und Entsorgung. Machen Sie sich vor der Benutzung des Produkts mit allen Bedien- und Sicherheitshinweisen vertraut. Benutzen Sie das Produkt nur wie beschrieben und für die angegebenen Einsatzbereiche. Händigen Sie alle Unterlagen bei Weitergabe des Produkts an Dritte mit aus.

Bestimmungsgemäßer Gebrauch

Das Gerät ist für gerade und kurvige Schnitte sowie Gehrungsschnitte bis 45° an kantigen Werkstücken aus Kunststoff, Holz und Leichtmetall geeignet. Das Gerät ist ausschließlich für den privaten Gebrauch in trockenen Räumen zugelassen. Beachten Sie die Hinweise zu Sägeblatttypen. Jede andere Verwendung oder Veränderung des Gerätes gilt als nicht bestimmungsgemäß und birgt erhebliche Unfallgefahren. Für aus bestimmungswidriger Verwendung entstandene Schäden übernimmt der Hersteller keine Haftung.

Ausstattung

- 1 Stellrad Hubzahlvorwahl
- 2 Feststelltaste Ein-/Ausschalter
- 3 Ein-/Aus-Schalter
- 4 Gehäuse
- 5 Netzkabel
- 6 Absaugstutzen
- 7 Fußplatte
- 8 Gleitschuh (abnehmbar)
- 9 Schalter Späneblasvorrichtung
- 10 Pendelhubschalter
- 11 Parallelanschlag
- 12 Führungsrolle
- 13 Sägeblatt
- 14 Einschuböffnungen (jeweils inkl. Feststellschraube)

- 15 Schutzbügel
- 16 Schutzhaube klappbar
- 17 Schnellspannfutter
- 18 EIN-/AUS-Schalter Laser/Arbeitslicht
- 19 Klemmschrauben
- 20 Verzahnung
- 21 Sechskantschlüssel

Lieferumfang

- 1 Pendelhubstichsäge inkl. Absaugstutzen
- 1 Parallelanschlag
- 1 Betriebsanleitung
- 3 Sägeblätter zur Holzbearbeitung
- 1 Sägeblatt zur Metallbearbeitung

Technische Daten

Pendelhubstichsäge: Parkside PSTD 800 A1

Nennspannung:	230 V ~ 50 Hz
Aufnahmeleistung:	800 W
Leerlauf-Hubzahl:	max. n_0 3100 min ⁻¹
Schnitttiefe:	Holz/Metall: 80/8 mm
Pendelhub:	3 Stufen und Feinschnitt-Einstellung
Schrägschnitte:	0 - 45° links/rechts
Schutzklasse:	II/□

Geräusch- und Vibrationsinformationen:

Messwert für Geräusch ermittelt entsprechend EN 60745. Der A-bewertete Geräuschpegel des Elektrowerkzeugs beträgt typischerweise:

Schalldruckpegel:	94 dB(A)
Schallleistungspegel:	105 dB(A)
Unsicherheit K:	3 dB



Gehörschutz tragen!

Bewertete Beschleunigung, typischerweise:

Hand-/Armvibration a_h :	8,6 m/s ²
Unsicherheit K:	1,5 m/s ²

⚠️ WARNUNG!

- ▶ Der in diesen Anweisungen angegebene Schwingungspegel ist entsprechend einem in EN 60745 genormten Messverfahren gemessen worden und kann für den Gerätevergleich verwendet werden. Der angegebene Schwingungsemissionswert kann auch zu einer einleitenden Einschätzung der Aussetzung verwendet werden. Der Schwingungspegel wird sich entsprechend dem Einsatz des Elektrowerkzeugs verändern und kann in manchen Fällen über dem in diesen Anweisungen angegebenen Wert liegen. Die Schwingungsbelastung könnte unterschätzt werden, wenn das Elektrowerkzeug regelmäßig in solcher Weise verwendet wird.

HINWEIS

- ▶ Für eine genaue Abschätzung der Schwingungsbelastung während eines bestimmten Arbeitszeitraumes sollten auch die Zeiten berücksichtigt werden, in denen das Gerät abgeschaltet ist oder zwar läuft, aber nicht tatsächlich im Einsatz ist. Dies kann die Schwingungsbelastung über den gesamten Arbeitszeitraum deutlich reduzieren.



Allgemeine Sicherheitshinweise für Elektrowerkzeuge

⚠️ WARNUNG!

- ▶ Lesen Sie alle Sicherheitshinweise und Anweisungen. Versäumnisse bei der Einhaltung der Sicherheitshinweise und Anweisungen können elektrischen Schlag, Brand und/oder schwere Verletzungen verursachen.

Bewahren Sie alle Sicherheitshinweise und Anweisungen für die Zukunft auf.

Der in den Sicherheitshinweisen verwendete Begriff „Elektrowerkzeug“ bezieht sich auf netzbetriebene Elektrowerkzeuge (mit Netzkabel) und auf akkubetriebene Elektrowerkzeuge (ohne Netzkabel).

1. Arbeitsplatz-Sicherheit

- Halten Sie Ihren Arbeitsbereich sauber und gut beleuchtet. Unordnung und unbeleuchtete Arbeitsbereiche können zu Unfällen führen.
- Arbeiten Sie mit dem Elektrowerkzeug nicht in explosionsgefährdeter Umgebung, in der sich brennbare Flüssigkeiten, Gase oder Stäube befinden. Elektrowerkzeuge erzeugen Funken, die den Staub oder die Dämpfe entzünden können.
- Halten Sie Kinder und andere Personen fern von der Benutzung des Elektrowerkzeugs fern. Bei Ablenkung können Sie die Kontrolle über das Gerät verlieren.

2. Elektrische Sicherheit

- Der Anschlussstecker des Elektrowerkzeuges muss in die Steckdose passen. Der Stecker darf in keiner Weise verändert werden. Verwenden Sie keine Adapterstecker gemeinsam mit schutzgeerdeten Elektrowerkzeugen. Unveränderte Stecker und passende Steckdosen verringern das Risiko eines elektrischen Schlages.
- Vermeiden Sie Körperkontakt mit geerdeten Oberflächen, wie von Rohren, Heizungen, Herden und Kühlschränken. Es besteht ein erhöhtes Risiko durch elektrischen Schlag, wenn Ihr Körper geerdet ist.
- Halten Sie Elektrowerkzeuge von Regen oder Nässe fern. Das Eindringen von Wasser in ein Elektrogerät erhöht das Risiko eines elektrischen Schlages.
- Zweckentfremden Sie das Kabel nicht, um das Elektrowerkzeug zu tragen, aufzuhängen oder um den Stecker aus der Steckdose zu ziehen. Halten Sie das Kabel fern von Hitze, Öl, scharfen Kanten oder sich bewegenden Geräteteilen. Beschädigte oder verwickelte Kabel erhöhen das Risiko eines elektrischen Schlages.
- Wenn Sie mit einem Elektrowerkzeug im Freien arbeiten, verwenden Sie nur Verlängerungskabel, die auch für den Außenbereich zugelassen sind. Die Anwendung eines für den Außenbereich geeigneten Verlängerungskabels verringert das Risiko eines elektrischen Schlages.

DE
AT
CH

- f) Wenn der Betrieb des Elektrowerkzeuges in feuchter Umgebung nicht vermeidbar ist, verwenden Sie einen Fehlerstromschutzschalter. Der Einsatz eines Fehlerstromschutzschalters vermindert das Risiko eines elektrischen Schlages.

3. Sicherheit von Personen

- a) Seien Sie stets aufmerksam, achten Sie darauf, was Sie tun und gehen Sie mit Vernunft an die Arbeit mit einem Elektrowerkzeug. Benutzen Sie kein Elektrowerkzeug, wenn Sie müde sind oder unter dem Einfluss von Drogen, Alkohol oder Medikamenten stehen. Ein Moment der Unachtsamkeit beim Gebrauch des Elektrowerkzeuges kann zu ernsthaften Verletzungen führen.
- b) Tragen Sie persönliche Schutzausrüstung und immer eine Schutzbrille. Das Tragen persönlicher Schutzausrüstung wie Staubmaske, rutschfeste Sicherheitsschuhe, Schutzhelm oder Gehörschutz, je nach Art und Einsatz des Elektrowerkzeuges, verringert das Risiko von Verletzungen.
- c) Vermeiden Sie eine unbeabsichtigte Inbetriebnahme. Vergewissern Sie sich, dass das Elektrowerkzeug ausgeschaltet ist, bevor Sie es an die Stromversorgung anschließen, es aufnehmen oder tragen. Wenn Sie beim Tragen des Elektrowerkzeuges den Finger am Schalter haben oder das Gerät bereits eingeschaltet an die Stromversorgung anschließen, kann dies zu Unfällen führen.
- d) Entfernen Sie Einstellwerkzeuge oder Schraubenschlüssel, bevor Sie das Elektrowerkzeug einschalten. Ein Werkzeug oder Schlüssel, der sich in einem drehenden Geräteteil befindet, kann zu Verletzungen führen.
- e) Vermeiden Sie eine abnormale Körperhaltung. Sorgen Sie für einen sicheren Stand und halten Sie jederzeit das Gleichgewicht. Dadurch können Sie das Elektrowerkzeug in unerwarteten Situationen besser kontrollieren.
- f) Tragen Sie geeignete Kleidung. Tragen Sie keine weite Kleidung oder Schmuck. Halten Sie Haare, Kleidung und Handschuhe fern von sich bewegenden Teilen. Lockere Kleidung, Schmuck oder lange Haare können von sich bewegenden Teilen erfasst werden.

- g) Wenn Staubabsaug- und -auffangeinrichtungen montiert werden können, vergewissern Sie sich, dass diese angeschlossen sind und richtig verwendet werden. Die Verwendung einer Staubabsaugung kann Gefährdungen durch Staub verringern.

4. Verwendung und Behandlung des Elektrowerkzeugs

- a) Überlasten Sie das Gerät nicht. Verwenden Sie für Ihre Arbeit das dafür bestimmte Elektrowerkzeug. Mit dem passenden Elektrowerkzeug arbeiten Sie besser und sicherer im angegebenen Leistungsbereich.
- b) Benutzen Sie kein Elektrowerkzeug, dessen Schalter defekt ist. Ein Elektrowerkzeug, das sich nicht mehr ein- oder ausschalten lässt, ist gefährlich und muss repariert werden.
- c) Ziehen Sie den Stecker aus der Steckdose, bevor Sie Geräteeinstellungen vornehmen, Zubehörteile wechseln oder das Gerät weglegen. Diese Vorsichtsmaßnahme verhindert den unbeabsichtigten Start des Elektrowerkzeuges.
- d) Bewahren Sie unbenutzte Elektrowerkzeuge außerhalb der Reichweite von Kindern auf. Lassen Sie Personen das Gerät nicht benutzen, die mit diesem nicht vertraut sind oder diese Anweisungen nicht gelesen haben. Elektrowerkzeuge sind gefährlich, wenn sie von unerfahrenen Personen benutzt werden.
- e) Pflegen Sie Elektrowerkzeuge mit Sorgfalt. Kontrollieren Sie, ob bewegliche Teile einwandfrei funktionieren und nicht klemmen, ob Teile gebrochen oder so beschädigt sind, dass die Funktion des Elektrowerkzeuges beeinträchtigt ist. Lassen Sie beschädigte Teile vor dem Einsatz des Gerätes reparieren. Viele Unfälle haben ihre Ursache in schlecht gewarteten Elektrowerkzeugen.
- f) Halten Sie Schneidwerkzeuge scharf und sauber. Sorgfältig gepflegte Schneidwerkzeuge mit scharfen Schneidkanten verklemmen sich weniger und sind leichter zu führen.
- g) Verwenden Sie Elektrowerkzeug, Zubehör, Einsatzwerkzeuge usw. entsprechend diesen Anweisungen. Berücksichtigen Sie dabei die

Arbeitsbedingungen und die auszuführende Tätigkeit. Der Gebrauch von Elektrowerkzeugen für andere als die vorgesehenen Anwendungen kann zu gefährlichen Situationen führen.

5. Service

- a) Lassen Sie Ihr Elektrowerkzeug nur von qualifiziertem Fachpersonal und nur mit Original-Ersatzteilen reparieren. Damit wird sichergestellt, dass die Sicherheit des Elektrowerkzeugs erhalten bleibt.

Gerätespezifische Sicherheitshinweise für Sticksägen

- Halten Sie das Elektrowerkzeug an den isolierten Griffflächen, wenn Sie Arbeiten ausführen, bei denen das Elektrowerkzeug verborgene Stromleitungen oder das eigene Netzkabel treffen kann. Der Kontakt mit einer spannungsführenden Leitung kann auch metallene Geräteteile unter Spannung setzen und zu einem elektrischen Schlag führen.
- Halten Sie die Hände vom Sägebereich fern. Greifen Sie nicht unter das Werkstück. Bei Kontakt mit dem Sägeblatt besteht Verletzungsgefahr.
- Halten Sie die Hände von der Hubstange und dem Schnellspannfutter fern. Bei Kontakt mit den Bauteilen besteht Quetschungsgefahr.
- Führen Sie das Elektrowerkzeug nur eingeschaltet gegen das Werkstück. Es besteht sonst die Gefahr eines Rückschlages.
- Achten Sie darauf, dass die Fußplatte 7 beim Sägen aufliegt.
- Schalten Sie nach Beendigung des Arbeitsvorgangs das Elektrowerkzeug aus und ziehen Sie das Sägeblatt 13 erst dann aus dem Schnitt, wenn dieses zum Stillstand gekommen ist. So vermeiden Sie einen Rückschlag und können das Elektrowerkzeug sicher ablegen.
- Verwenden Sie nur unbeschädigte und einwandfreie Sägeblätter. Verbogene und stumpfe Sägeblätter können brechen oder einen Rückschlag verursachen.
- Bremsen Sie das Sägeblatt 13 nach dem Ausschalten nicht durch seitliches Gegendrücken ab. Das Sägeblatt 13 kann beschädigt werden, brechen oder einen Rückschlag verursachen.

- Sichern Sie das Werkstück. Benutzen Sie Spannvorrichtungen/Schraubstock, um das Werkstück festzuhalten. Es ist damit sicherer gehalten, als mit Ihrer Hand.
- Führen Sie das Netzkabel immer nach hinten vom Gerät weg.
- Bearbeiten Sie keine angefeuchteten Materialien oder feuchte Flächen.
- **Gefährdung durch Staub!** Schließen Sie bei längerem Bearbeiten von Holz und insbesondere wenn Materialien bearbeitet werden, bei denen gesundheitsgefährdende Stäube entstehen, das Gerät an eine geeignete Staubabsaugvorrichtung an.
- Tragen Sie eine Staubschutzmaske!
- Sorgen Sie für ausreichende Belüftung.



WARNING! Schützen Sie sich vor Laserstrahlung:



- Schauen Sie nicht direkt in den Laserstrahl, bzw. in die Öffnung, aus der er austritt.

! WARNING!

- ▶ Das Betrachten des Laserausgangs mit optischen Instrumenten (z.B. Lupe, Vergrößerungsgläsern, u.ä.) ist mit einer Augengefährdung verbunden.
- ▶ Vorsicht! Wenn andere als die hier angegebenen Bedienungs- oder Justiereinrichtungen benutzt oder andere Verfahrensweisen ausgeführt werden, kann dies zu gefährlicher Strahlungseinwirkung führen.

- Richten Sie den Laserstrahl niemals auf reflektierende Flächen, Personen oder Tiere. Bereits ein kurzer Sichtkontakt mit dem Laserstrahl kann zu Augenschäden führen.

DE
AT
CH

Originalzubehör / -zusatzgeräte

- Benutzen Sie nur Zubehör und Zusatzgeräte, die in der Bedienungsanleitung angegeben sind bzw. deren Aufnahme mit dem Gerät kompatibel ist.

Informationen zu Sägeblättern

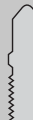
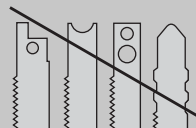
Die Parkside-Grundausrüstung beinhaltet bereits Sägeblätter für Hauptanwendungen in Holz und Metall.

- 3 Sägeblätter für allgemeine Holzschnitte
- 1 Sägeblatt für Leichtmetalle bis 3 mm

HINWEIS

- ▶ Sie können jedes Sägeblatt verwenden, vorausgesetzt, es ist mit der passenden Aufnahme (Einnockenschaft) versehen.

Sägeblatttyp

geeignet	ungeeignet
	

Inbetriebnahme

Sägeblatt montieren / wechseln

Ziehen Sie vor allen Arbeiten am Gerät den Netzstecker aus der Steckdose.

- ◆ Klappen Sie die Schutzhaube **16** nach oben.
- ◆ Drehen Sie das Schnellspannfutter **17** und halten Sie es gedreht.
- ◆ Drücken Sie das benötigte Sägeblatt bis zum Anschlag in das Schnellspannfutter **17**.
- ◆ Lassen Sie das Schnellspannfutter **17** los, es muss in seine Ausgangsposition zurückkehren. Das Sägeblatt ist nun verriegelt.

Parallelanschlag montieren

Der Parallelanschlag **11** kann links oder rechts am Gerät befestigt werden.

- ◆ Lösen Sie die beiden Feststellschrauben der Einschuböffnungen **12**.
- ◆ Schieben Sie den Parallelanschlag **11** in die Einschuböffnungen **12**.
- ◆ Schrauben Sie die beiden Feststellschrauben wieder fest.

Spanabsaugung anschließen

- ◆ Stecken Sie den Absaugstutzen **6** in den Absaugkanal bis dieser festklemmt.
- ◆ Schließen Sie eine zugelassene Staub- und Spanabsaugung an den Absaugstutzen **6** an.

Gleitschuh montieren

Bei der Bearbeitung von empfindlichen Oberflächen können Sie den Gleitschuh **8** auf die Fußplatte **7** aufsetzen, um ein Verkratzen der Oberfläche zu vermeiden.

- ◆ Hängen Sie den Gleitschuh **8** vorne an die Fußplatte **7** ein und drücken Sie ihn hinten hoch, bis er an der Fußplatte **7** einrastet.
- ◆ Zum Abnehmen des Gleitschuhs **8**, lösen Sie ihn am hinteren Teil der Fußplatte **7** und nehmen ihn nach vorne hin ab.

Bedienung

Schnittwinkel einstellen

- ◆ Lösen Sie die Klemmschrauben **19** mit dem Sechskantschlüssel **21** und ziehen die Fußplatte **7** nach hinten.
- ◆ Stellen Sie den Schnittwinkel $0^\circ / 15^\circ / 30^\circ / 45^\circ$ mit Hilfe der Markierungen an der Fußplatte **7** ein. Schieben Sie die Fußplatte **7** nach vorne, damit der Arretierstift in die Verzahnung **20** einrastet.
- ◆ Spannen Sie die Klemmschrauben **19** mit dem Sechskantschlüssel **21**.

Hubzahl einstellen

- ◆ Stellen Sie mit dem Stellrad Hubzahlvorwahl **1** die gewünschte Hubzahl ein.

Pendelhub einstellen

- ◆ Sie können mit dem Pendelhubschalter **10** die Pendelbewegung des Sägeblattes **13** einstellen. Ohne Pendelbewegung (Stellung „0“) erzielen Sie feine und saubere Schnittkanten. Stellen Sie bei dünnen Werkstücken den Pendelhub ab. Mit aktiviertem Pendelhub (Stellung 1-3) erzielen Sie einen zunehmend schnelleren Arbeitsfortschritt.

Einschalten / Ausschalten

Gerät einschalten:

Drücken Sie den EIN-/AUS-Schalter **3**.

Gerät ausschalten:

Lassen Sie den EIN-/AUS-Schalter **3** los.

Dauerbetrieb einschalten:

Drücken Sie den EIN-/AUS-Schalter **3** und stellen Sie ihn im gedrückten Zustand mit der Feststelltaste für EIN-/AUS-Schalter **2** fest.

Dauerbetrieb ausschalten:

Drücken Sie den EIN-/AUS-Schalter **3** und lassen Sie ihn wieder los.

Laser / Arbeitslicht ein-/ausschalten

Ein-/Ausschalter:

Drücken Sie den EIN-/AUS-Schalter **13** bis die gewünschte Funktion aktiv ist.

LASER und ARBEITSLICHT → ARBEITSLICHT → LASER → AUSSCHALTEN

Spanblasfunktion

Spanblasfunktion einschalten:

- ◆ Schieben Sie den Schalter Späneblasvorrichtung **9** nach hinten.

Absaugfunktion unterstützen:

- ◆ Schieben Sie den Schalter Späneblasvorrichtung **9** nach vorne.

Wartung und Reinigung



WARNUNG! VERLETZUNGSGEFAHR!
Schalten Sie vor allen Arbeiten am Gerät das Gerät aus und ziehen Sie den Netzstecker.

- Das Gerät muss stets sauber, trocken und frei von Öl oder Schmierfetten sein.
- Verwenden Sie zum Reinigen des Gehäuses ein trockenes Tuch.

WARNUNG!

- Wenn ein Ersatz der Anschlussleitung erforderlich ist, dann ist dies vom Hersteller oder seinem Vertreter auszuführen, um Sicherheitsgefährdungen zu vermeiden.
- Wechseln Sie das Sägeblatt **13** aus, sobald dessen Zahnung stumpf ist und damit keine einwandfreie Sägearbeit mehr durchführbar ist.
- Führen Sie die Reinigung des Gerätes im Anschluss an Ihre Sägearbeit durch.
- Entfernen Sie Verschmutzungen (z.B. durch Sägespäne). Reinigen Sie die Sägeblattaufnahme ggf. mit einem Pinsel oder durch Ausblasen mit Druckluft.

Garantie und Service

Sie erhalten auf dieses Gerät 3 Jahre Garantie ab Kaufdatum. Das Gerät wurde sorgfältig produziert und vor Anlieferung gewissenhaft geprüft. Bitte bewahren Sie den Kassensbon als Nachweis für den Kauf auf. Bitte setzen Sie sich im Garantiefall mit Ihrer Servicestelle telefonisch in Verbindung. Nur so kann eine kostenlose Einsendung Ihrer Ware gewährleistet werden.

Die Garantieleistung gilt nur für Material- oder Fabrikationsfehler, nicht aber für Transportschäden, Verschleißteile oder für Beschädigungen an zerbrechlichen Teilen, z. B. Schalter oder Akkus. Das Produkt ist lediglich für den privaten und nicht für den gewerblichen Gebrauch bestimmt.

Bei missbräuchlicher und unsachgemäßer Behandlung, Gewaltanwendung und bei Eingriffen, die nicht von unserer autorisierten Service-Niederlassung vorgenommen wurden, erlischt die Garantie. Ihre gesetzlichen Rechte werden durch diese Garantie nicht eingeschränkt.

Die Garantiezeit wird durch die Gewährleistung nicht verlängert. Dies gilt auch für ersetzte und reparierte Teile. Eventuell schon beim Kauf vorhandene Schäden und Mängel müssen sofort nach dem Auspacken gemeldet werden, spätestens aber zwei Tage nach Kaufdatum. Nach Ablauf der Garantiezeit anfallende Reparaturen sind kostenpflichtig.

DE Service Deutschland

Tel.: 0800 5435 111
E-Mail: kompernass@lidl.de

IAN 90967

AT Service Österreich

Tel.: 0820 201 222 (0,15 EUR/Min.)
E-Mail: kompernass@lidl.at

IAN 90967

CH Service Schweiz

Tel.: 0842 665566 (0,08 CHF/Min.,
Mobilfunk max. 0,40 CHF/Min.)
E-Mail: kompernass@lidl.ch

IAN 90967

Erreichbarkeit Hotline: Montag bis Freitag von 8:00 Uhr - 20:00 Uhr (MEZ)

Importeur

KOMPERNASS HANDELS GMBH
BURGSTRASSE 21
44867 BOCHUM
GERMANY
www.kompernass.com

Entsorgung



Die Verpackung besteht aus umweltfreundlichen Materialien, die Sie über die örtlichen Recyclingstellen entsorgen können.



Werfen Sie Elektrowerkzeuge nicht in den Hausmüll!

Gemäß Europäischer Richtlinie 2002/96/EG müssen verbrauchte Elektrowerkzeuge getrennt gesammelt und einer umweltgerechten Wiederverwertung zugeführt werden.

Möglichkeiten zur Entsorgung des ausgedienten Gerätes erfahren Sie bei Ihrer Gemeinde- oder Stadtverwaltung.

Konformitätserklärung / Hersteller CE

Wir, KOMPERNASS HANDELS GMBH, Dokumentenverantwortlicher: Herr Semi Uguzlu, BURGSTR. 21, 44867 BOCHUM, DEUTSCHLAND, erklären hiermit, dass dieses Produkt mit den folgenden Normen, normativen Dokumenten und EG-Richtlinien übereinstimmt:

**Maschinenrichtlinie
(2006 / 42 / EC)**

**EG-Niederspannungsrichtlinie
(2006 / 95 / EC)**

**Elektromagnetische Verträglichkeit
(2004 / 108 / EC)**

**RoHS Richtlinie
(2011 / 65 / EU)**

Angewandte harmonisierte Normen:

EN 60745-1 / A11: 2010

EN 60745-2-11: 2010

EN 62233: 2008

EN 55014-1 / A2: 2011

EN 55014-2 / A2: 2008

EN 61000-3-2 / A2: 2009

EN 61000-3-3: 2008

Typbezeichnung der Maschine:

Pendelhubstichsäge PSTD 800 A1

Herstellungsjahr: 07 - 2013

Seriennummer: IAN 90967

Bochum, 31.07.2013



Semi Uguzlu

- Qualitätsmanager -

Technische Änderungen im Sinne der Weiterentwicklung sind vorbehalten.

DE
AT
CH

KOMPERNASS HANDELS GMBH

BURGSTRASSE 21

44867 BOCHUM

DEUTSCHLAND / GERMANY

www.kompernass.com

Last Information Update · Tietojen tila · Informationsstatus

Tilstand af information · Stand der Informationen:

07 / 2013 · Ident.-No.: PSTD800A1-042013-2

IAN 90967