

SILVERCREST®



www.lidl-service.com



FACE MASK MAKER SGM 110 A1

GB IE NI

FACE MASK MAKER

Operating instructions

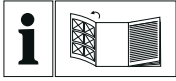
DE AT CH

GESICHTSMASKEN-MAKER

Bedienungsanleitung

IAN 285964

GB



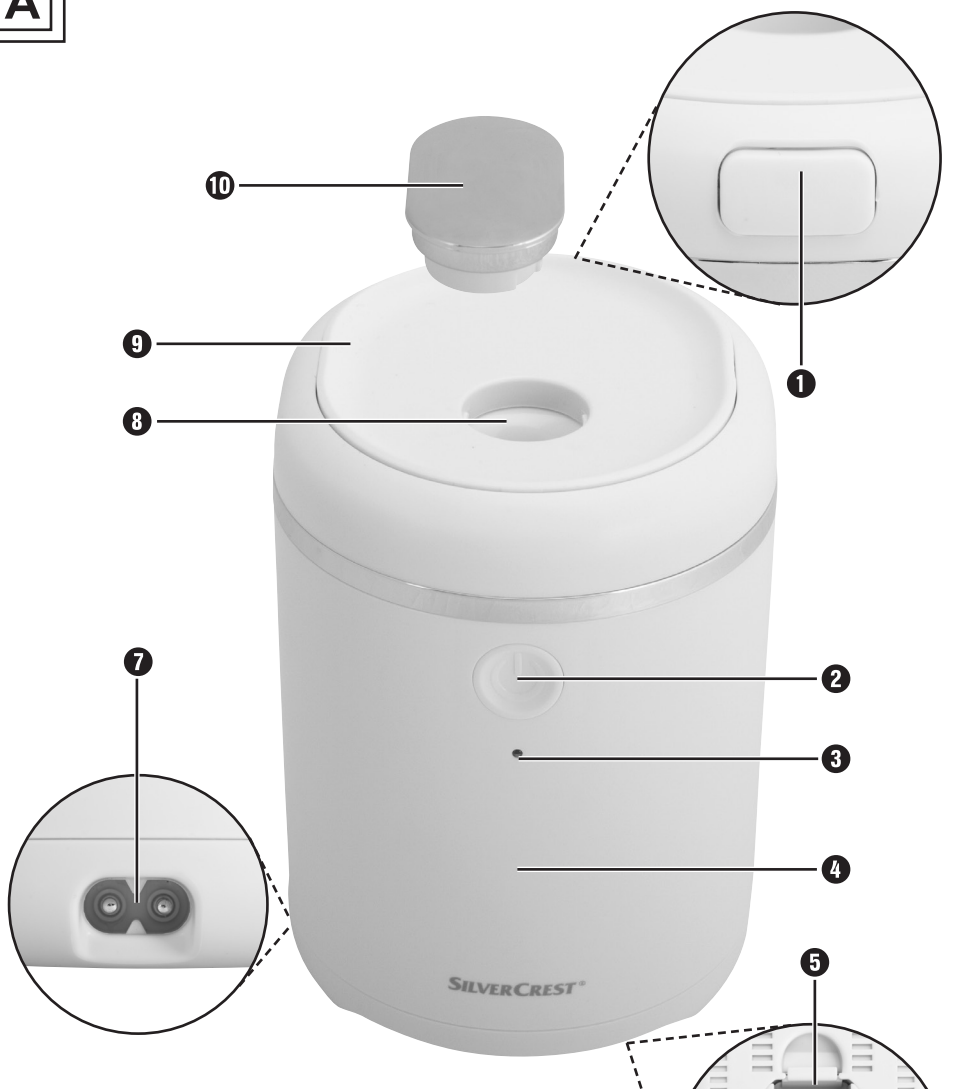
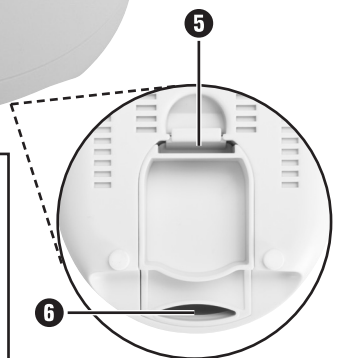
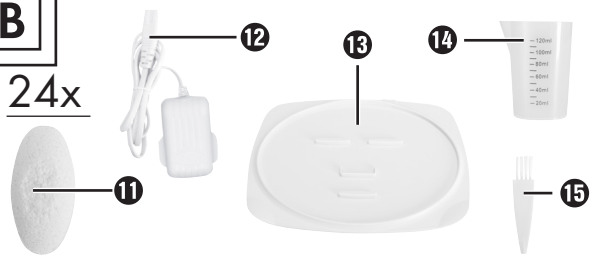
GB IE NI

Before reading, unfold the page containing the illustrations and familiarise yourself with all functions of the device.

DE AT CH

Klappen Sie vor dem Lesen die Seite mit den Abbildungen aus und machen Sie sich anschließend mit allen Funktionen des Gerätes vertraut.

| | | | |
|----------|------------------------|-------|----|
| GB/IE/NI | Operating instructions | Page | 1 |
| DE/AT/CH | Bedienungsanleitung | Seite | 21 |

A**B****24x**

Contents

| | |
|---|-----------|
| Introduction | 2 |
| Intended use | 2 |
| Package contents | 2 |
| Appliance description | 3 |
| Technical data | 3 |
| Safety information | 4 |
| Before first use | 7 |
| Using the appliance | 7 |
| Cleaning | 11 |
| Tips for making face masks | 15 |
| Storage | 16 |
| Disposal | 16 |
| Ordering replacement parts | 17 |
| Kompernass Handels GmbH warranty | 18 |
| Service | 19 |
| Importer | 19 |

Introduction

Congratulations on the purchase of your new appliance.



You have selected a high-quality product. The operating instructions are part of this product. They contain important information about safety, usage and disposal. Before using the product, please familiarise yourself with all operating and safety instructions. Use the product only as described and for the range of applications specified. Keep these operating instructions as a reference and store them near the product. Please also pass these operating instructions on to any future owner.

Intended use

This appliance is intended exclusively for the preparation of face masks. This appliance is intended solely for use in private households. Do not use it for commercial purposes.

Package contents

- Face Mask Maker
- Measuring beaker
- Cleaning brush
- Mask mould
- 24 collagen tablets
- Operating instructions

Appliance description


Figure A:

- ❶ Lid release button
- ❷ "Start" button
- ❸ Indicator lamp
- ❹ Housing
- ❺ Release button, output unit
- ❻ Output opening
- ❼ Socket
- ❽ Filler opening
- ❾ Housing lid
- ❿ Filler opening cap

Figure B:

- ⓫ Collagen tablet
- ⓬ Connector plug
- ⓭ Mask mould
- ⓮ Measuring beaker
- ⓯ Cleaning brush

Technical data

| | |
|-------------------|--|
| Voltage | 230 V ~, 50 Hz |
| Power consumption | 110 W |
| Max. fill level | approx. 120 ml (+/- 5%) |
| Protection class | II /  |

Safety information

WARNING! RISK OF ELECTRIC SHOCK!

- ▶ To avoid potential hazards, damaged mains cables should be replaced by the manufacturer or the manufacturer's customer service department or a similarly qualified person.
- ▶ Use the appliance only in dry indoor areas, not outdoors.
- ▶ Do not use the appliance in the vicinity of water, such as wash basins, showers or bath tubs.
- ▶ Do not use the appliance while bathing, showering or sleeping.
- ▶ Never touch the mains plug or the mains cable with wet hands.
- ▶ Check the appliance for visible external damage before use. Do not use a device that has been damaged or dropped.
- ▶ Do not allow any liquid to run over the plug connections.


WARNING! RISK OF INJURY!

- ▶ Read all instructions.
- ▶ This appliance may be used by children aged 8 and above and by persons with limited physical, sensory, or mental capabilities or lack of experience and knowledge, provided that they are under supervision or have been told how to use the appliance safely and are aware of the potential risks.
- ▶ Children must not play with the appliance.
- ▶ Cleaning and user maintenance tasks must not be carried out by children unless they are aged 8 years or over and are supervised.

⚠ WARNING! RISK OF INJURY!

- ▶ The appliance and its connecting cable must be kept away from children younger than 8 years old.
- ▶ The appliance may only be operated using the mains adapter supplied.
- ▶ If you are unsure whether you can safely use the appliance due to pre-existing conditions, consult a doctor before use.
- ▶ After use, the surfaces of the heating element will still have some residual heat.
- ▶ The appliance should always be disconnected from the mains when unattended and before assembly, disassembly or cleaning.
- ▶ Before replacing any accessories or additional parts that move during operation, the appliance must be switched off and disconnected from the mains power.
- ▶ Use the appliance only for the intended purpose. Misuse could lead to injuries!
- ▶ Never use the appliance for purposes other than those described in these operating instructions!
This could lead to injuries!
- ▶ The appliance may only be operated using the mains adapter supplied.
- ▶ If you are unsure whether you can safely use the appliance due to pre-existing conditions, consult a doctor before use.
- ▶ If possible, set up the appliance close to a power socket. Ensure that the power plug is quickly reachable in case of danger, and that the cable poses no risk of tripping.

⚠ WARNING! RISK OF INJURY!

- ▶ Provide a stable location for the appliance.
- ▶  Never immerse the appliance in water or other liquids!
- ▶ Do not use the appliance if you suffer from skin redness, inflammation, swelling, sensitive areas, diabetes, open wounds, burns, eczema or psoriasis.

ATTENTION! APPLIANCE DAMAGE!

- ▶ Never operate this appliance when it is empty (without liquid).
- ▶ Never add any aggressive substances or substances containing solvents!
- ▶ Always place the appliance on a level surface.
- ▶ Do not use an external timer switch or a separate remote control system to operate the appliance.

Before first use

- 1) Clean the appliance as described in the section "Cleaning" to remove any transport dust. Dry it thoroughly.
- 2) Place the appliance on a stable and level surface.

Using the appliance

NOTE

► Always use distilled water for making face masks!

- 1) Insert the connector plug 12 into the socket 7 on the appliance.
- 2) Insert the plug into a mains power socket. A beep sounds and the indicator lamp 3 lights up green, then flashes green continuously.
- 3) Place the mask mould 13 in front of the appliance in such a way that the notch at the end extends underneath the device and bends around the bulge at the bottom of the appliance (see Fig. 1):

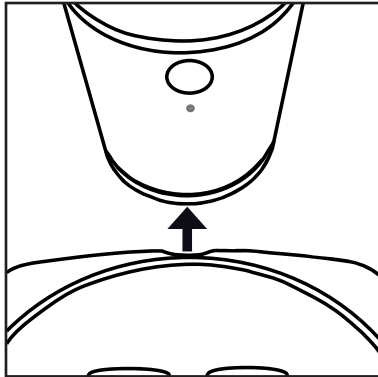


Fig. 1

- 4) Open the filler opening cap **10** by turning it slightly anticlockwise and removing it (see Fig. 2):

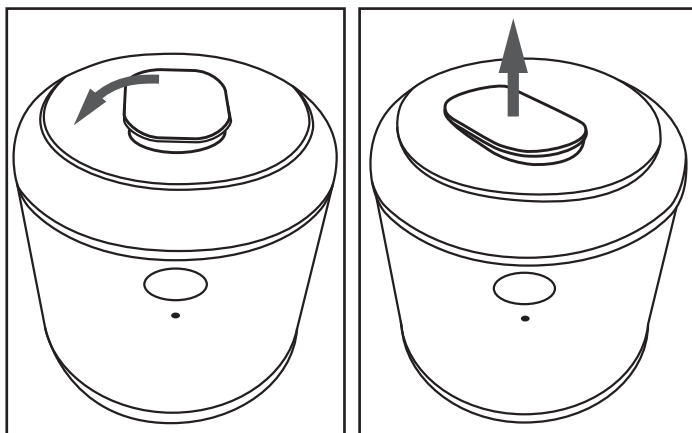


Fig. 2

NOTE

- Use the measuring beaker supplied **14** to measure liquid quantities.

- 5) Slowly pour distilled water into the appliance through the filler opening **8**. When the required amount (approx. 60 ml) is reached, a beeps sounds and the indicator lamp **3** flashes red.
- 6) Now add the nurturing liquid such as fruit juice or milk (see section "Tips for making face masks"). When the required amount (approx. 25 ml) is reached, a beeps sounds and the indicator lamp **3** illuminates continuously red.
- 7) Place a collagen tablet **11** in the appliance through the filler opening **8**.

NOTE

- To reorder collagen tablets **11**, contact our Customer Service (see section "Ordering replacement parts").

- 8) Close the filler opening **8** by placing the filler opening cap **10** slightly offset into the filler opening **8**: The locking devices in the filler opening **8** have to slide into the cut-outs at the filler opening cap **10**. Turn the filler opening cap **10** clockwise a little way so that it is firmly closed.

- 9) Press the "Start" button **2**. A beep sounds and the indicator lamp **3** illuminates continuously green.
The appliance starts to blend and heat the ingredients.

NOTE

- ▶ If you remove the mask mould **13** from the appliance during the preparation process, warning beeps sound and the indicator lamp **3** lights orange. The preparation of the face mask continues, however the mask fluid is not dispensed. The pouring-out process will not start until the mask mould **13** is placed correctly underneath the appliance and the face mask is properly mixed.
- ▶ You can also stop the process by pressing the "Start" button **2** for 5 seconds. A beep sounds and the indicator lamp **3** flashes green. Remove the plug from the mains power socket and carefully tip out the liquid in the appliance. Clean the appliance as described in the section "Cleaning".

After approx. 6 minutes, the mask is properly mixed and the mask is now poured automatically into the mask mould **13**. The indicator lamp **3** flashes green.

NOTE

- ▶ Preparation time can vary according to the starting temperature and type of the ingredients!

Approx. 20 seconds after the face mask is poured into the mask mould **13**, long beeps are sounded. The beeps stop as soon as the mask mould is removed from the appliance. Remove the plug from the mains power socket.

- 10) Slightly tilt the mask mould **13** in order to ensure ideal distribution of the liquid.
- 11) If you want to make a refreshing face mask, place the mask mould **13** carefully in the fridge and wait for it to cool.
If you want to make a warm face mask, wait for around 5 minutes until the mask has set.

NOTE

- ▶ The gel time can vary considerably depending on the type of ingredients used.

- 12) Carefully remove the face mask from the face mould **13**. To do this, insert a teaspoon or similar at the edge of the mask mould **13** and carefully lift the mask out of the mask mould **13**.

NOTE

- ▶ Test the mask on an unobtrusive spot first in order to establish skin compatibility.

- 13) Assume a reclined position and put your head back. Place the mask on your face. Start with the cut-outs for your eyes. Make sure that your eyes are aligned with the corresponding cut-outs in the mask. Do the same with the cut-outs for nose and mouth. Make sure that you can breathe easily (see Fig. 3)



Fig. 3

- 14) Leave the mask to take effect for approx. 10-15 minutes, depending on personal preference. Afterwards just remove it.

NOTE

- ▶ If you experience any unpleasant feeling during the application or if your skin begins to itch or burn, remove the mask from your face immediately. Rinse your face with plenty of fresh water!
- ▶ Used masks can be disposed of in normal domestic waste.

Cleaning

NOTE

- ▶ For reasons of hygiene, clean the appliance after every use.

**WARNING! RISK OF ELECTRIC SHOCK!**

- ▶ Before cleaning the appliance, disconnect the power plug from the mains power socket and the connector plug 12 from the socket 7 on the appliance.
- ▶ Never immerse the appliance in water or other liquids!

**WARNING! RISK OF INJURY!**

- ▶ Allow the appliance to cool down before cleaning it.

ATTENTION! APPLIANCE DAMAGE!

- ▶ Never use pointed or sharp objects to remove solidified collagen from the appliance!
- ▶ Do not use any chemical, abrasive or aggressive cleaning agents to clean the appliance!
- Rinse the mask mould 13 in warm water containing a mild detergent.
- Wipe the mains cable with a damp cloth. Ensure that the mains cable is completely dry before the next use.

- For thorough cleaning, take the appliance apart (see Fig. 4):
 - Remove the filler opening cap 10.
 - Press the lid release button 1.
 - Remove the housing lid 9 by inserting a finger into the filler opening 8.
 - Pull the motor unit A out of the housing 4.
 - Turn the housing 4 over and press the output unit release button 5. The output unit B with the output opening 6 can now be removed.

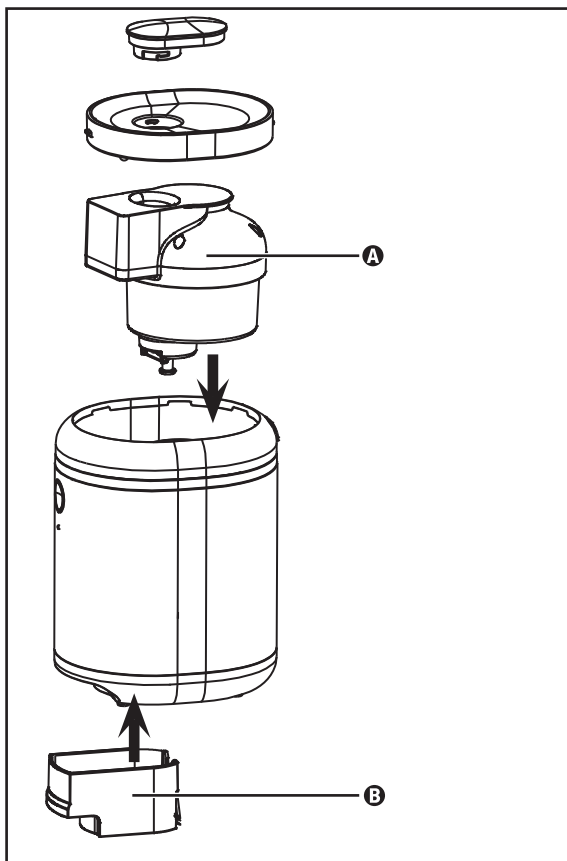
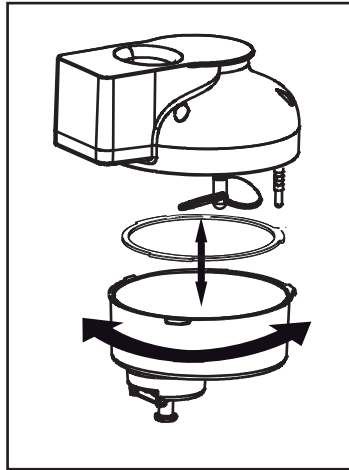


Fig. 4

- Use a damp cloth to wipe the inside and outside of the motor unit **A**, the filler opening cap **10**, the housing lid **9** and the housing **4**. For stubborn soiling use a mild detergent on the cloth. For inaccessible corners use the supplied cleaning brush **15**. Wipe off any detergent residues using a cloth moistened with clean water.
- To clean the motor unit **A** thoroughly, take it apart (Fig. 5):
 - Turn the lower section (metal) of the motor unit **A** clockwise so that the □ - marking on the lower section (metal) is aligned with the ■ - marking on the motor unit **A**. Remove the lower section (metal) from the motor unit **A**.



- Rinse the lower section (metal) of the motor unit **A** in warm water containing a mild detergent. Rinse with clear water and dry thoroughly.

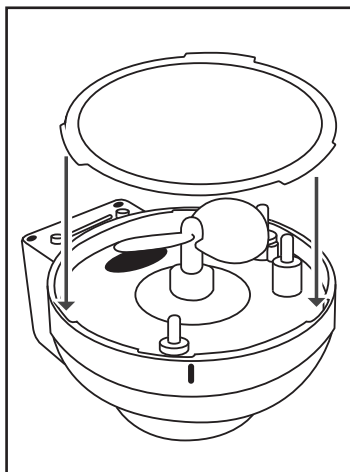


Fig. 6

- Wipe the plastic part of the motor unit **A** with a damp cloth. For stubborn soiling use a mild detergent on the cloth. For inaccessible corners use the supplied cleaning brush **B**.
- Wipe off any detergent residues using a cloth moistened with clean water. Make sure the sealing ring is correctly placed inside the plastic section of the motor unit **A** (see fig. 6).
- Fit the two sections together so that the □ - marking on the lower section (metal) is aligned with the ■ - marking on the motor unit **A**. Lock them by turning the lower section (metal) anticlockwise. Make sure you turn the lower part (metal) as far as possible in an anticlockwise direction to prevent leaks.

- Rinse the output unit **B** in warm water containing a mild detergent.
- Dry all parts well. Make sure that all parts are completely dry before reassembling the appliance.

NOTE

- ▶ Take particular care to ensure that the metal contact on the motor unit **A** and those in the housing **4** are completely dry. Otherwise the appliance might malfunction!

Tips for making face masks

Depending on treatment objective and skin type, you can make your face mask with a range of different ingredients.

The following table includes some examples of different added ingredients. Please note that each skin reacts differently to these added ingredients.

| Effect | Added ingredient |
|--------------|------------------|
| Moisturising | Apple juice |
| | Red wine |
| | Pear juice |
| | Milk |
| | Tomato juice |
| | Olive oil |
| Anti-wrinkle | Buttermilk |
| | Orange juice |
| | Strawberry juice |
| | Carrot juice |

TIP

- ▶ If you want to achieve a particularly refreshing effect, place the face mask in the mask mould **18** in the fridge to make sure that it is pleasantly cool.
- ▶ Dilute any thick/viscous added ingredients you want to use with water beforehand.

Storage

- Clean the appliance as described in the section "Cleaning" prior to storing it.
- Store the appliance in a dry and dust-free location.

Disposal

You can dispose of used masks in normal domestic waste.



Never dispose of the appliance in your normal domestic waste. This product is subject to the provisions of European Directive 2012/19/EU.

Dispose of the appliance through an approved disposal facility or your municipal waste facility. Please observe the currently applicable regulations. Please contact your waste disposal facility if you are in any doubt.

The packaging protects the appliance from damage during transport. The packaging materials have been selected for their environmental friendliness and ease of disposal, and are therefore recyclable.



Returning the packaging to the material cycle conserves raw materials and reduces the amount of waste that is generated. Dispose of packaging materials that are no longer needed in accordance with applicable local regulations.



The packaging of this appliance is made of card.

Ordering replacement parts

You can order the following replacement parts for the product SGM 110 A1:



Order the spare parts via the service hotline (see section "Service") or simply visit our website at www.kompernass.com.



NOTE

- Have the IAN number of the appliance ready (can be found on the cover of these operating instructions) when you place your order.

Kompernass Handels GmbH warranty

Dear Customer,

This appliance has a 3-year warranty valid from the date of purchase. If this product has any faults, you, the buyer, have certain statutory rights. Your statutory rights are not restricted in any way by the warranty described below.

Warranty conditions

The validity period of the warranty starts from the date of purchase. Please keep your original receipt in a safe place. This document will be required as proof of purchase.

If any material or production fault occurs within three years of the date of purchase of the product, we will either repair or replace the product for you at our discretion. This warranty service is dependent on you presenting the defective appliance and the proof of purchase (receipt) and a short written description of the fault and its time of occurrence.

If the defect is covered by the warranty, your product will either be repaired or replaced by us. The repair or replacement of a product does not signify the beginning of a new warranty period.

Warranty period and statutory claims for defects

The warranty period is not prolonged by repairs effected under the warranty. This also applies to replaced and repaired components. Any damage and defects present at the time of purchase must be reported immediately after unpacking. Repairs carried out after expiry of the warranty period shall be subject to a fee.

Scope of the warranty

This appliance has been manufactured in accordance with strict quality guidelines and inspected meticulously prior to delivery.

The warranty covers material faults or production faults. The warranty does not extend to product parts subject to normal wear and tear or fragile parts such as switches, batteries, baking moulds or parts made of glass.

The warranty does not apply if the product has been damaged, improperly used or improperly maintained. The directions in the operating instructions for the product regarding proper use of the product are to be strictly followed. Uses and actions that are discouraged in the operating instructions or which are warned against must be avoided.

This product is intended solely for private use and not for commercial purposes. The warranty shall be deemed void in cases of misuse or improper handling, use of force and modifications / repairs which have not been carried out by one of our authorised Service centres.

Warranty claim procedure

To ensure quick processing of your case, please observe the following instructions:

- Please have the till receipt and the item number (e.g. IAN 12345) available as proof of purchase.
- You will find the item number on the type plate, an engraving on the front page of the instructions (bottom left), or as a sticker on the rear or bottom of the appliance.
- If functional or other defects occur, please contact the service department listed either by **telephone** or by **e-mail**.
- You can return a defective product to us free of charge to the service address that will be provided to you. Ensure that you enclose the proof of purchase (till receipt) and information about what the defect is and when it occurred.



You can download these instructions along with many other manuals, product videos and software on www.lidl-service.com.

Service

GB Service Great Britain

Tel.: 0871 5000 720 (£ 0.10/Min.)

E-Mail: kompennass@lidl.co.uk

IE Service Ireland

Tel.: 1890 930 034

(0,08 EUR/Min., (peak))

(0,06 EUR/Min., (off peak))

E-Mail: kompennass@lidl.ie

IAN 285964

Importer

Please note that the following address is not the service address. Please use the service address provided in the operating instructions.

KOMPERNASS HANDELS GMBH

BURGSTRASSE 21

DE-44867 BOCHUM

GERMANY

www.kompennass.com

Inhaltsverzeichnis

| | |
|--|-----------|
| Einführung | 22 |
| Bestimmungsgemäßer Gebrauch | 22 |
| Lieferumfang | 22 |
| Gerätebeschreibung | 23 |
| Technische Daten | 23 |
| Sicherheitshinweise | 24 |
| Vor dem ersten Gebrauch | 27 |
| Gerät benutzen | 27 |
| Reinigung | 31 |
| Tipps zur Gesichtsmaskenherstellung | 35 |
| Aufbewahrung | 36 |
| Entsorgung | 36 |
| Ersatzteile bestellen | 37 |
| Garantie der Kompernaß Handels GmbH | 38 |
| Service | 39 |
| Importeur | 39 |

Einführung



Herzlichen Glückwunsch zum Kauf Ihres neuen Gerätes.

Sie haben sich damit für ein hochwertiges Produkt entschieden. Die Bedienungsanleitung ist Bestandteil dieses Produkts. Sie enthält wichtige Hinweise für Sicherheit, Gebrauch und Entsorgung. Machen Sie sich vor der Benutzung des Produkts mit allen Bedien- und Sicherheitshinweisen vertraut. Benutzen Sie das Produkt nur wie beschrieben und für die angegebenen Einsatzbereiche. Bewahren Sie die Bedienungsanleitung immer als Nachschlagewerk in der Nähe des Produkts auf. Händigen Sie alle Unterlagen bei Weitergabe des Produkts an Dritte mit aus.

Bestimmungsgemäßer Gebrauch

Dieses Gerät dient ausschließlich dem Mischen von Gesichtsmasken. Dieses Gerät ist ausschließlich für die Benutzung in privaten Haushalten bestimmt. Benutzen Sie es nicht gewerblich.

Lieferumfang

Gesichtsmasken-Maker
Messbecher
Reinigungspinsel
Maskenform
24 Kollagentabletten
Bedienungsanleitung

Gerätebeschreibung

Abbildung A:

- ① Entriegelung Deckel
- ② Taste „Start“
- ③ Kontrollleuchte
- ④ Gehäuse
- ⑤ Entriegelung Ausgabereinheit
- ⑥ Ausgabeöffnung
- ⑦ Buchse
- ⑧ Einfüllöffnung
- ⑨ Gehäusedeckel
- ⑩ Einfüllöffnungsverschluss

Abbildung B:

- ⑪ Kollagentablette
- ⑫ Verbindungsstecker
- ⑬ Maskenform
- ⑭ Messbecher
- ⑮ Reinigungspinsel

Technische Daten

| | |
|-------------------|---------------------|
| Spannung | 230 V ~, 50 Hz |
| Leistungsaufnahme | 110 W |
| max. Füllstand | ca. 120 ml (+/- 5%) |
| Schutzklasse | II / □ |

Sicherheitshinweise

WARNUNG! **STROMSCHLAGGEFAHR!**

- ▶ Wenn die Netzanschlussleitung dieses Gerätes beschädigt ist, muss sie durch den Hersteller oder seinen Kundendienst oder eine ähnlich qualifizierte Person ersetzt werden, um Gefährdungen zu vermeiden.
- ▶ Verwenden Sie das Gerät nur in trockenen Räumen, nicht im Freien.
- ▶ Benutzen Sie das Gerät nicht in der Nähe von Wasser, wie Waschbecken, Duschwannen oder Badewannen.
- ▶ Benutzen Sie das Gerät niemals während Sie baden, duschen oder schlafen.
- ▶ Fassen Sie den Netzstecker oder das Netzkabel niemals mit nassen Händen an.
- ▶ Kontrollieren Sie das Gerät vor der Verwendung auf äußere, sichtbare Schäden. Nehmen Sie ein beschädigtes oder heruntergefallenes Gerät nicht in Betrieb.
- ▶ Es darf keine Flüssigkeit auf die Gerätesteckverbindung überlaufen.

⚠️ WARNUNG! VERLETZUNGSGEFAHR!

- ▶ Dieses Gerät kann von Kindern ab 8 Jahren und darüber sowie von Personen mit verringerten physischen, sensorischen oder mentalen Fähigkeiten oder Mangel an Erfahrung und Wissen benutzt werden, wenn sie beaufsichtigt oder bezüglich des sicheren Gebrauchs des Gerätes unterwiesen wurden und die daraus resultierenden Gefahren verstehen.
- ▶ Kinder dürfen nicht mit dem Gerät spielen.
- ▶ Reinigung und die Wartung durch den Benutzer dürfen nicht durch Kinder vorgenommen werden, es sei denn, sie sind 8 Jahre oder älter und werden beaufsichtigt.
- ▶ Das Gerät und seine Anschlussleitung sind von Kindern jünger als 8 Jahre fernzuhalten.
- ▶ Betreiben Sie das Gerät nur mit dem mitgelieferten Netzkabel.
- ▶ Wenn Sie, aufgrund von Vorerkrankungen, sich nicht sicher sind, ob Sie das Gerät verwenden dürfen, konsultieren Sie einen Arzt vor der Verwendung.
- ▶ Die Oberfläche des Heizelements verfügt nach der Anwendung noch über Restwärme.
- ▶ Das Gerät ist bei nicht vorhandener Aufsicht und vor dem Zusammenbau, dem Auseinandernehmen oder Reinigen stets vom Netz zu trennen.
- ▶ Vor dem Auswechseln von Zubehör oder Zusatzteilen, die im Betrieb bewegt werden, muss das Gerät ausgeschaltet und vom Netz getrennt werden.

⚠️ WARNUNG! VERLETZUNGSGEFAHR!

- ▶ Lesen Sie alle Sicherheitshinweise und Anweisungen!
- ▶ Benutzen Sie das Gerät nur bestimmungsgemäß. Fehlanwendungen können zu Verletzungen führen!
- ▶ Mißbrauchen Sie das Gerät nicht für andere Zwecke als in dieser Bedienungsanleitung beschrieben! Das kann zu Verletzungen führen!
- ▶ Betreiben Sie das Gerät nur mit dem mitgelieferten Netzkabel.
- ▶ Wenn Sie, aufgrund von Vorerkrankungen, sich nicht sicher sind, ob Sie das Gerät verwenden dürfen, konsultieren Sie einen Arzt vor der Verwendung.
- ▶ Stellen Sie das Gerät möglichst in der Nähe einer Steckdose auf. Sorgen Sie dafür, dass der Netzstecker bei Gefahr schnell erreichbar ist und die Netzleitung nicht zur Stolperfalle werden kann.
- ▶ Sorgen Sie für einen sicheren Stand des Gerätes.



- ▶ Tauchen Sie das Gerät niemals in Wasser oder andere Flüssigkeiten!
- ▶ Verwenden Sie das Gerät nicht bei Hautrötungen, Entzündungen, Schwellungen, empfindlichen Stellen, Diabetes, offenen Wunden, Verbrennungen, Ekzemen oder Schuppenflechte.

ACHTUNG! SACHSCHADEN!

- ▶ Betreiben Sie das Gerät niemals im Leerzustand, ohne Flüssigkeit.
- ▶ Füllen Sie niemals aggressive oder lösungsmittelhaltige Substanzen in das Gerät!

ACHTUNG! SACHSCHADEN!

- ▶ Stellen Sie das Gerät ausschließlich auf ebene Oberflächen.
- ▶ Benutzen Sie keine externe Zeitschaltuhr oder ein separates Fernwirkssystem, um das Gerät zu betreiben.

Vor dem ersten Gebrauch

- 1) Reinigen Sie das Gerät, wie im Kapitel „Reinigung“ beschrieben, um Transportstaub zu entfernen. Trocknen Sie es gut ab.
- 2) Stellen Sie das Gerät auf einen ebenen und stabilen Untergrund.

Gerät benutzen

HINWEIS

- ▶ Benutzen Sie für die Herstellung von Gesichtsmasken nur destilliertes Wasser!

- 1) Stecken Sie den Verbindungsstecker **12** in die Buchse **7** am Gerät.
- 2) Stecken Sie den Netzstecker in eine Netzsteckdose. Es erklingt ein Signalton und die Kontrollleuchte **3** leuchtet grün auf, danach blinkt sie dauerhaft grün.
- 3) Schieben Sie die Maskenform **13** so vor das Gerät, dass die Auskerbung am Rand unter das Gerät ragt und sich um die Auswölbung unter dem Gerät schmiegt (siehe Abb. 1):

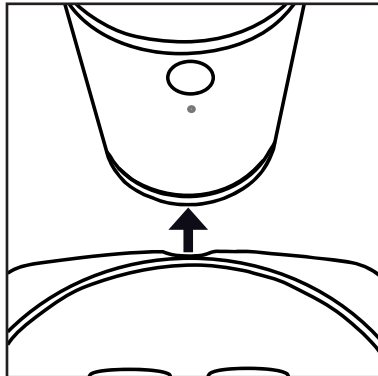


Abb. 1

- 4) Öffnen Sie den Einfüllöffnungsverschluss **10**, indem Sie diesen ein wenig gegen den Uhrzeigersinn drehen und abnehmen (siehe Abb. 2):

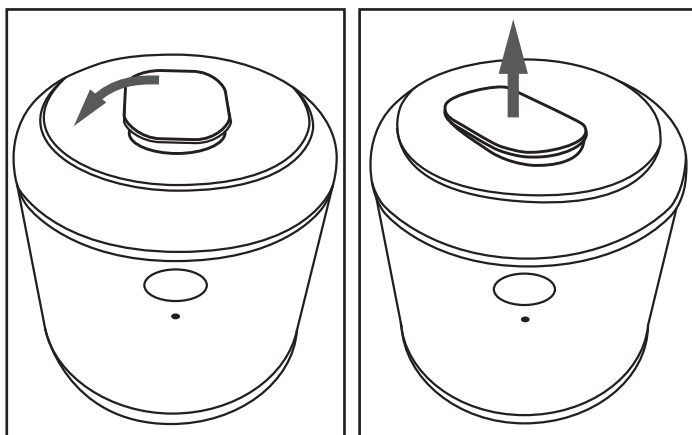


Abb. 2

HINWEIS

- Benutzen Sie zum Abmessen der Flüssigkeitsmengen den mitgelieferten Messbecher **14**.

- 5) Füllen Sie langsam destilliertes Wasser durch die Einfüllöffnung **8** in das Gerät. Sobald die erforderliche Menge (ca. 60 ml) eingefüllt ist, ertönt ein Signalton und die Kontrollleuchte **3** blinkt rot.
- 6) Füllen Sie nun die pflegende Flüssigkeit, wie Fruchtsaft oder Milch ein (siehe Kapitel „Tipps zur Gesichtsmaskenherstellung“). Sobald die erforderliche Menge Flüssigkeit eingefüllt ist (ca. weitere 25 ml), ertönt ein Signalton und die Kontrollleuchte **3** leuchtet dauerhaft rot.
- 7) Geben Sie die Kollagentablette **11** durch die die Einfüllöffnung **8** in das Gerät.

HINWEIS

- Um Kollagentabletten **11** nachzubestellen, wenden Sie sich an unseren Kundenservice (siehe Kapitel „Ersatzteile bestellen“).

- 8) Schließen Sie die Einfüllöffnung **8**, indem Sie den Einfüllöffnungsverschluss **10** etwas versetzt in die Einfüllöffnung **8** setzen: Die Verriegelungen in der Einfüllöffnung **8** müssen in die Aussparungen am Einfüllöffnungsverschluss **10** gleiten. Drehen Sie dann den Einfüllöffnungsverschluss **10** ein wenig im Uhrzeigersinn, so dass der Einfüllöffnungsverschluss **10** fest sitzt.

- 9) Drücken Sie die Taste „Start“ **2**. Ein Signalton erklingt und die Kontrollleuchte **3** leuchtet dauerhaft grün.
Das Gerät beginnt mit dem Mischen und dem Erwärmen der Zutaten.

HINWEIS

- ▶ Wenn Sie die Maskenform **13** während der Zubereitung der Maskenflüssigkeit vom Gerät entfernen, erklingen Signaltöne und die Kontrollleuchte **3** leuchtet orange. Die Zubereitung der Gesichtsmaske läuft weiter, jedoch wird die Maskenflüssigkeit nicht ausgegeben. Der Ausgießvorgang wird erst gestartet, wenn die Maskenform **13** korrekt unter das Gerät geschoben wird und die Gesichtsmaske fertig gemischt ist.
- ▶ Sie können den Prozess auch stoppen, indem Sie für 5 Sekunden die Taste „Start“ **2** gedrückt halten. Ein Signalton ertönt und die Kontrollleuchte **3** blinkt grün. Ziehen Sie den Netzstecker aus der Netzsteckdose und kippen Sie die enthaltene Flüssigkeit vorsichtig weg. Reinigen Sie das Gerät wie im Kapitel „Reinigung“ beschrieben.

Nach ca. 6 Minuten ist die Gesichtsmaske fertig gemischt und die Gesichtsmaske läuft nun automatisch in die Maskenform **13**. Die Kontrollleuchte **3** blinkt grün.

HINWEIS

- ▶ Die Zubereitungszeit kann je nach Ausgangstemperatur und Art der Zutaten variieren!

Ca. 20 Sekunden nachdem die Gesichtsmaske in die Maskenform **13** gelaufen ist, ertönen lange Signaltöne. Sobald Sie die Maskenform vom Gerät entfernen, stoppen die Signaltöne. Ziehen Sie den Netzstecker aus der Netzsteckdose.

- 10) Kippen Sie Maskenform **13** leicht, um eine optimale Verteilung der Flüssigkeit zu gewährleisten.
- 11) Wenn Sie eine erfrischende Gesichtsmaske herstellen wollen, stellen Sie die Maskenform **13** vorsichtig in einen Kühlschrank und warten Sie ab, bis diese abgekühlt ist.
Wenn Sie eine warme Gesichtsmaske herstellen wollen, warten Sie ca. 5 Minuten ab, bis die Maske geliert ist.

HINWEIS

- ▶ Die Gelierzeit kann je nach Art der Zutaten stark variieren!

- 12) Nehmen Sie die Gesichtsmaske vorsichtig aus der Maskenform **13**. Setzen Sie dazu z. B. einen Teelöffel an den Rand der Maskenform **13** an und heben Sie so die Maske vorsichtig aus der Maskenform **13**.

HINWEIS

- ▶ Testen Sie die Maske zuerst an einer unauffälligen Stelle, um die Verträglichkeit zu überprüfen.

- 13) Begeben Sie sich in eine zurückgelehnte Position und legen Sie ihren Kopf in den Nacken. Legen Sie die Maske auf Ihr Gesicht. Beginnen Sie mit den Aussparungen für die Augen. Achten Sie darauf, dass ihre Augen passend zu den jeweiligen Aussparungen der Maske passen. Verfahren Sie ebenso mit den Aussparungen für Nase und Mund. Achten Sie darauf, dass Sie frei Atmen können (siehe Abb. 3)



Abb. 3

- 14) Lassen Sie die Maske, je nach persönlichem Empfinden, 10 - 15 Minuten einwirken. Nehmen Sie sie danach einfach ab.

HINWEIS

- ▶ Wenn Sie ein unangenehmes Gefühl während der Anwendung haben oder Ihre Haut anfängt zu jucken oder zu brennen, nehmen Sie die Gesichtsmaske sofort vom Gesicht herunter. Spülen Sie Ihr Gesicht mit viel klarem Wasser ab!
- ▶ Die benutzten Gesichtsmasken können Sie im normalen Hausmüll entsorgen.

Reinigung

HINWEIS

- ▶ Sie müssen aus hygienischen Gründen das Gerät nach jeder Benutzung reinigen.

⚠ WARNUNG! STROMSCHLAGGEFAHR!

- ▶ Ziehen Sie vor der weiteren Reinigung den Netzstecker aus der Netzsteckdose und den Verbindungsstecker **12** aus der Buchse **7** am Gerät.
- ▶ Tauchen Sie das Gerät niemals in Wasser oder andere Flüssigkeiten!

⚠ WARNUNG! VERLETZUNGSGEFAHR!

- ▶ Lassen Sie das Gerät etwas abkühlen, bevor Sie es reinigen.

ACHTUNG! SACHSCHADEN!

- ▶ Benutzen Sie keine spitzen und scharfen Gegenstände, um erkaltetes Kollagen aus dem Gerät zu entfernen!
- ▶ Benutzen Sie keine chemischen, scheuernden oder aggressiven Reinigungsmittel, um das Gerät zu reinigen!
- Spülen Sie die Maskenform **13** in warmem Wasser und geben Sie ein mildes Spülmittel hinzu.
- Wischen Sie das Netzkabel mit einem feuchten Tuch ab. Stellen Sie sicher, dass das Netzkabel vor einer erneuten Benutzung vollständig getrocknet ist.

- Nehmen Sie das Gerät zur gründlichen Reinigung auseinander (siehe Abb.4):
 - Nehmen Sie den Einfüllöffnungsverschluss **10** ab.
 - Drücken Sie die Entriegelung Deckel **1**.
 - Nehmen Sie den Gehäusedeckel **9** ab, indem Sie einen Finger in die Einfüllöffnung **8** stecken.
 - Ziehen Sie die Motoreinheit **A** aus dem Gehäuse **4**.
 - Drehen Sie das Gehäuse **4** um und drücken Sie die Entriegelung Ausgabeeinheit **5** zusammen. Sie können dann die Ausgabeeinheit **B** mit der Ausgabeeöffnung **6** herausziehen.

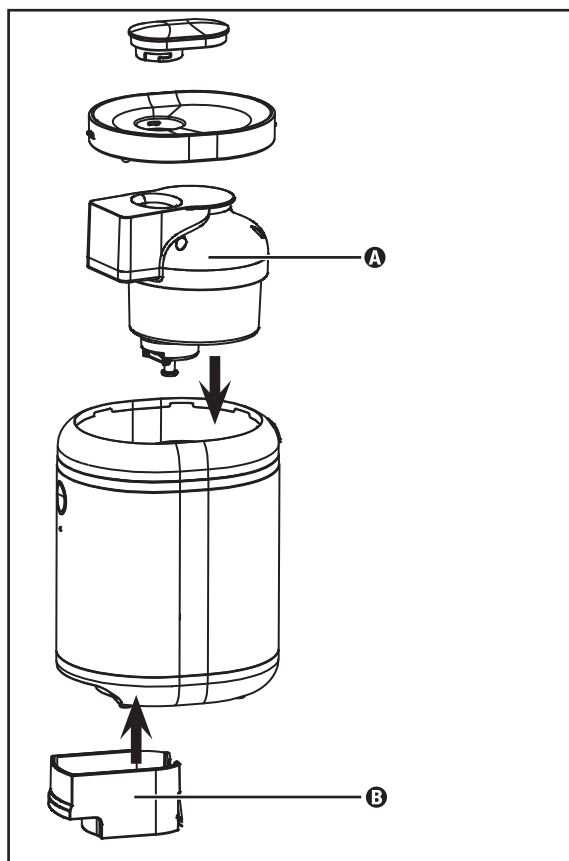


Abb. 4

- Wischen Sie die Motoreinheit **A**, den Einfüllöffnungsverschluss **10**, den Gehäusedeckel **9** und das Gehäuse **4** von innen und außen mit einem feuchten Tuch ab. Bei hartnäckigeren Verschmutzungen geben Sie ein mildes Spülmittel auf das Tuch. Für unzugängliche Ecken benutzen Sie den mitgelieferten Reinigungspinsel **15**. Beseitigen Sie alle Spülmittelreste mit einem nur mit Wasser befeuchteten Tuch.
- Um die Motoreinheit **A** gründlich zu reinigen, nehmen Sie diese auseinander (Abb. 5):
 - Drehen Sie den unteren Teil (Metall) der Motoreinheit **A** im Uhrzeigersinn, sodass die □-Markierung auf dem unteren Teil (Metall) auf die ■-Markierung der Motoreinheit **A** weist. Nehmen Sie den unteren Teil (Metall) von der Motoreinheit **A** ab.

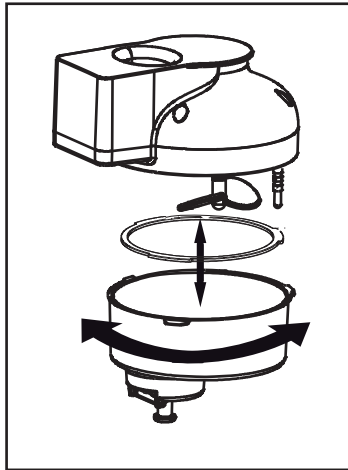


Abb. 5

- Spülen Sie den unteren Teil (Metall) der Motoreinheit **A** in warmem Wasser und geben Sie ein mildes Spülmittel hinzu. Spülen Sie es mit klarem Wasser nach und trocknen Sie alles gut ab.

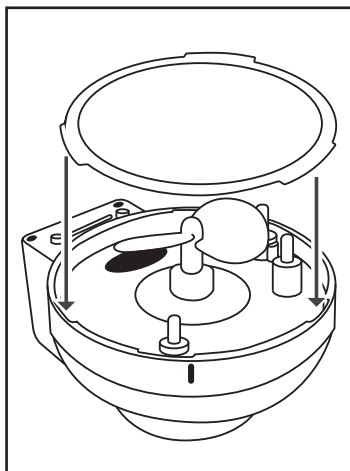


Abb. 6

- Wischen Sie den Plastikteil der Motoreinheit **A** mit einem feuchten Tuch ab. Bei hartnäckigeren Verschmutzungen geben Sie ein mildes Spülmittel auf das Tuch. Für unzugängliche Ecken benutzen Sie den mitgelieferten Reinigungspinsel **15**. Beseitigen Sie alle Spülmittelreste mit einem nur mit Wasser befeuchteten Tuch. Achten Sie darauf, dass der Dichtungsring wieder korrekt in dem Plastikteil der Motoreinheit **A** sitzt (siehe Abb. 6).
 - Stecken Sie beide Teile wieder ineinander, sodass die **□**-Markierung auf dem unteren Teil (Metall) auf die **■**-Markierung der Motoreinheit **A** weist. Verriegeln Sie sie durch Drehen des unteren Teiles (Metall) entgegen des Uhrzeigersinns. Achten Sie darauf den unteren Teil (Metall) so weit wie möglich gegen den Uhrzeigersinn zu drehen, um Leckagen zu vermeiden.
- Spülen Sie die Ausgabeeinheit **B** in warmem Wasser und geben Sie ein mildes Spülmittel hinzu.
 - Trocknen Sie alle Teile gut ab. Bevor Sie das Gerät wieder zusammenbauen, müssen alle Teile vollständig getrocknet sein.

HINWEIS

- ▶ Achten Sie besonders darauf, dass die metallenen Kontakte an der Motoreinheit **A**, sowie die im Gehäuse **4** nicht feucht sind. Ansonsten kann es zu Fehlfunktionen des Gerätes kommen!

Tipps zur Gesichtsmaskenherstellung

Ihre Gesichtsmaske können Sie, je nach Ziel der Behandlung und Hauttyp, mit verschiedenen Zusätzen herstellen.

Die folgende Tabelle gibt Ihnen einige Beispiele verschiedener Zusätze. Beachten Sie, dass jede Haut anders auf die Zusätze reagiert.

| Wirkung | Zusatz |
|-----------------------|-------------|
| feuchtigkeitsspendend | Apfelsaft |
| | Rotwein |
| | Birnensaft |
| | Milch |
| | Tomatensaft |
| | Olivenöl |
| gegen Falten | Buttermilch |
| | Orangensaft |
| | Erdbeersaft |
| | Möhrensaft |

TIPP

- ▶ Wenn Sie einen besonders erfrischenden Effekt erzielen wollen, stellen Sie die Gesichtsmaske in der Maskenform **B** in den Kühlschrank, so dass diese angenehm kühl wird.
- ▶ Wenn Sie dickflüssige Zusätze verwenden möchten, verflüssigen Sie diese vorher mit Wasser.

Aufbewahrung

- Reinigen Sie das Gerät wie im Kapitel „Reinigung“ beschrieben, bevor Sie es verstauen.
- Bewahren Sie das Gerät an einem trockenen und staubfreien Ort auf.

Entsorgung

Sie können die benutzten Gesichtsmasken im normalen Restmüll entsorgen.



**Werfen Sie das Gerät keinesfalls in den normalen Hausmüll.
Dieses Produkt unterliegt der europäischen Richtlinie
2012/19/EU.**

Entsorgen Sie das Gerät über einen zugelassenen Entsorgungsbetrieb oder über Ihre kommunale Entsorgungseinrichtung. Beachten Sie die aktuell geltenden Vorschriften. Setzen Sie sich im Zweifelsfall mit Ihrer Entsorgungseinrichtung in Verbindung.

Die Verpackung schützt das Gerät vor Transportschäden. Die Verpackungsmaterialien sind nach umweltverträglichen und entsorgungstechnischen Gesichtspunkten ausgewählt und deshalb recyclebar.



Die Rückführung der Verpackung in den Materialkreislauf spart Rohstoffe und verringert das Abfallaufkommen. Entsorgen Sie nicht mehr benötigte Verpackungsmaterialien gemäß den örtlich geltenden Vorschriften.



Die Verpackung dieses Gerätes besteht aus Pappe.

Ersatzteile bestellen

Folgende Ersatzteile können Sie zum Produkt SGM 110 A1 bestellen:



► Kollagentabletten (24 Stück)

Bestellen Sie die Ersatzteile über unsere Service-Hotline (siehe Kapitel „Service“) oder bequem auf unserer Webseite unter www.kompernass.com.



HINWEIS

- Halten Sie die IAN-Nummer, die Sie auf dem Umschlag dieser Bedienungsanleitung finden, für Ihre Bestellung bereit.

Garantie der Kompernaß Handels GmbH

Sehr geehrte Kundin, sehr geehrter Kunde,

Sie erhalten auf dieses Gerät 3 Jahre Garantie ab Kaufdatum. Im Falle von Mängeln dieses Produkts stehen Ihnen gegen den Verkäufer des Produkts gesetzliche Rechte zu. Diese gesetzlichen Rechte werden durch unsere im Folgenden dargestellte Garantie nicht eingeschränkt.

Garantiebedingungen

Die Garantiefrist beginnt mit dem Kaufdatum. Bitte bewahren Sie den Original-Kassenbon gut auf. Diese Unterlage wird als Nachweis für den Kauf benötigt.

Tritt innerhalb von drei Jahren ab dem Kaufdatum dieses Produkts ein Material- oder Fabrikationsfehler auf, wird das Produkt von uns – nach unserer Wahl – für Sie kostenlos repariert oder ersetzt. Diese Garantieleistung setzt voraus, dass innerhalb der Drei-Jahres-Frist das defekte Gerät und der Kaufbeleg (Kassenbon) vorgelegt und schriftlich kurz beschrieben wird, worin der Mangel besteht und wann er aufgetreten ist.

Wenn der Defekt von unserer Garantie gedeckt ist, erhalten Sie das reparierte oder ein neues Produkt zurück. Mit Reparatur oder Austausch des Produkts beginnt kein neuer Garantiezeitraum.

Garantiezeit und gesetzliche Mängelansprüche

Die Garantiezeit wird durch die Gewährleistung nicht verlängert. Dies gilt auch für ersetzte und reparierte Teile. Eventuell schon beim Kauf vorhandene Schäden und Mängel müssen sofort nach dem Auspacken gemeldet werden. Nach Ablauf der Garantiezeit anfallende Reparaturen sind kostenpflichtig.

Garantieumfang

Das Gerät wurde nach strengen Qualitätsrichtlinien sorgfältig produziert und vor Auslieferung gewissenhaft geprüft.

Die Garantieleistung gilt für Material- oder Fabrikationsfehler. Diese Garantie erstreckt sich nicht auf Produktteile, die normaler Abnutzung ausgesetzt sind und daher als Verschleißteile angesehen werden können oder für Beschädigungen an zerbrechlichen Teilen, z. B. Schalter, Akkus, Backformen oder Teile die aus Glas gefertigt sind.

Diese Garantie verfällt, wenn das Produkt beschädigt, nicht sachgemäß benutzt oder gewartet wurde. Für eine sachgemäße Benutzung des Produkts sind alle in der Bedienungsanleitung aufgeführten Anweisungen genau einzuhalten. Verwendungszwecke und Handlungen, von denen in der Bedienungsanleitung abgeraten oder vor denen gewarnt wird, sind unbedingt zu vermeiden.

Das Produkt ist nur für den privaten und nicht für den gewerblichen Gebrauch bestimmt. Bei missbräuchlicher und unsachgemäßer Behandlung, Gewaltanwendung und bei Eingriffen, die nicht von unserer autorisierten Service-Niederlassung vorgenommen wurden, erlischt die Garantie.

Abwicklung im Garantiefall

Um eine schnelle Bearbeitung Ihres Anliegens zu gewährleisten, folgen Sie bitte den folgenden Hinweisen:

- Bitte halten Sie für alle Anfragen den Kassenbon und die Artikelnummer (z. B. IAN 12345) als Nachweis für den Kauf bereit.
- Die Artikelnummer entnehmen Sie bitte dem Typenschild, einer Gravur, auf dem Titelblatt Ihrer Anleitung (unten links) oder als Aufkleber auf der Rück- oder Unterseite.
- Sollten Funktionsfehler oder sonstige Mängel auftreten, kontaktieren Sie zunächst die nachfolgend benannte Serviceabteilung **telefonisch** oder per **E-Mail**.
- Ein als defekt erfasstes Produkt können Sie dann unter Beifügung des Kaufbelegs (Kassenbon) und der Angabe, worin der Mangel besteht und wann er aufgetreten ist, für Sie portofrei an die Ihnen mitgeteilte Service-Anschrift übersenden.



Auf www.lidl-service.com können Sie diese und viele weitere Handbücher, Produktvideos und Software herunterladen.

Service

DE Service Deutschland

Tel.: 0800 5435 111 (Kostenfrei aus dem dt. Festnetz/Mobilfunknetz)

E-Mail: kompennass@lidl.de

AT Service Österreich

Tel.: 0820 201 222 (0,15 EUR/Min.)

E-Mail: kompennass@lidl.at

CH Service Schweiz

Tel.: 0842 665566 (0,08 CHF/Min., Mobilfunk max. 0,40 CHF/Min.)

E-Mail: kompennass@lidl.ch

IAN 285964

Importeur

Bitte beachten Sie, dass die folgende Anschrift keine Serviceanschrift ist. Kontaktieren Sie zunächst die benannte Servicestelle.

KOMPENASS HANDELS GMBH

BURGSTRASSE 21

DE-44867 BOCHUM

DEUTSCHLAND

www.kompennass.com

KOMPERNASS HANDELS GMBH

BURGSTRASSE 21

DE-44867 BOCHUM

GERMANY

www.kompernass.com

Last Information Update · Stand der Informationen:

08/2017 · Ident.-No.: SGM110A1-032017-3

IAN 285964