



## **BELT SANDER PBSB 600 A1**

(GB) (CY)

### **BELT SANDER**

Translation of the original instructions

(RO)

### **MAȘINĂ DE ȘLEFUIT CU BANDĂ**

Traducerea instrucțiunilor de utilizare original

(GR) (CY)

### **ΤΑΙΝΙΟΛΕΙΑΝΤΗΡΑΣ**

Μετάφραση των αυθεντικών οδηγιών λειτουργίας

(HR)

### **TRAČNA BRUSILICA**

Prijevod originalnih uputa za uporabu

(BG)

### **ЛЕНТОВА ШЛИЙФ**

Превод на оригиналното ръководство за експлоатация

(DE) (AT) (CH)

### **BANDSCHLEIFER**

Originalbetriebsanleitung

**IAN 285794**



GB CY

Before reading, unfold the page containing the illustrations and familiarise yourself with all functions of the device.

---

HR

Prije nego što pročitate tekst, otvorite stranicu sa slikama i upoznajte se na osnovu toga sa svim funkcijama uređaja.

---

RO

Înainte de a citi instrucțiunile, priviți imaginile și familiarizați-vă cu toate funcțiile aparatului.

---

BG

Преди да прочетете отворете страницата с фигурите и след това се запознайте с всички функции на уреда.

---

GR CY

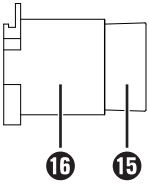
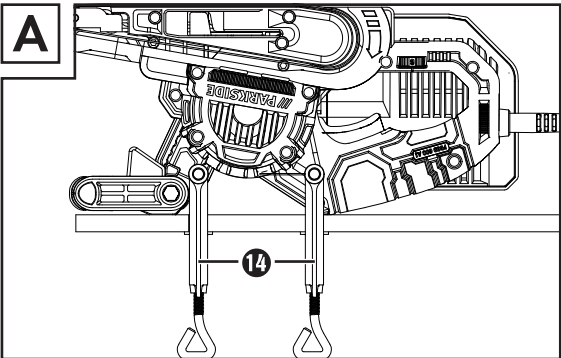
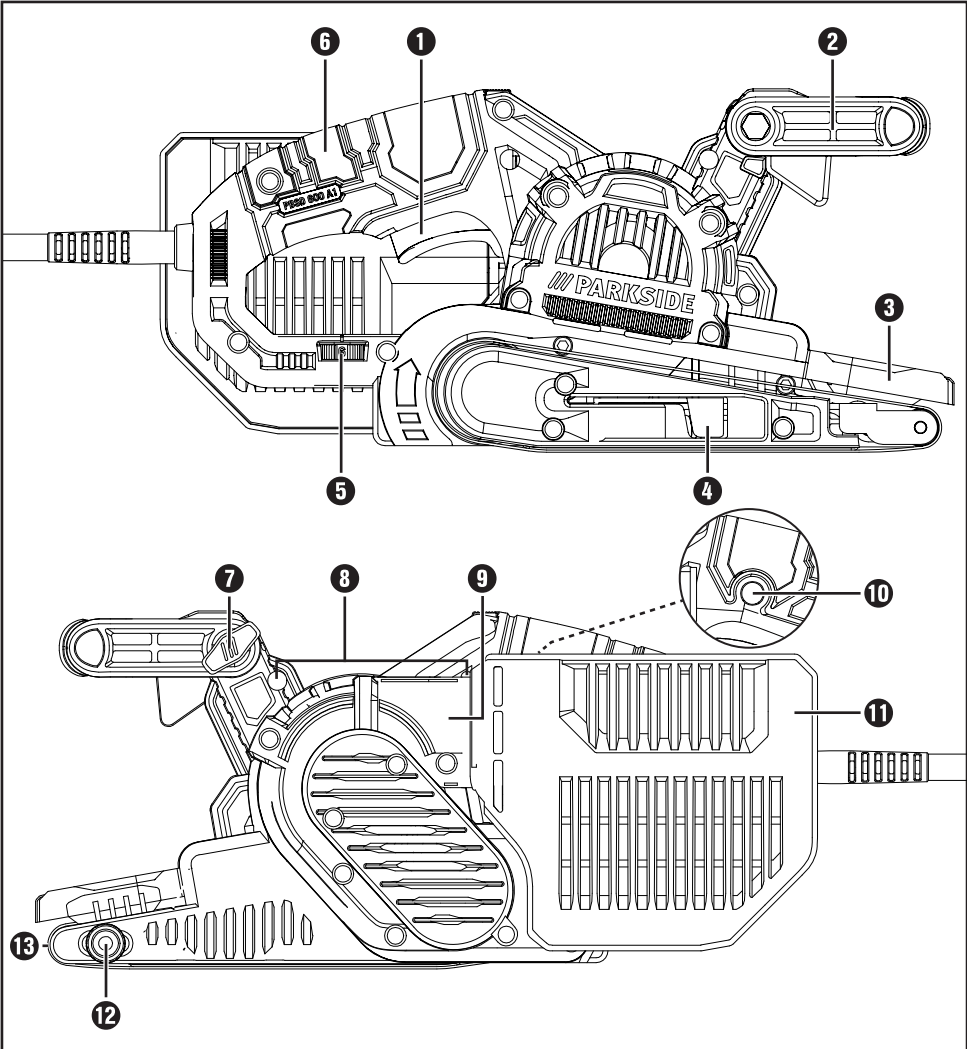
Πριν ξεκινήσετε την ανάγνωση, ανοίξτε τη σελίδα με τις εικόνες και εξοικειωθείτε με όλες τις λειτουργίες της συσκευής.

---

DE AT CH

Klappen Sie vor dem Lesen die Seite mit den Abbildungen aus und machen Sie sich anschließend mit allen Funktionen des Gerätes vertraut.

GB/CY	Translation of the original instructions	Page	1
HR	Prijevod originalnih uputa za uporabu	Stranica	13
RO	Traducerea instrucțiunilor de utilizare original	Pagina	25
BG	Превод на оригиналното ръководство за експлоатация	Страница	37
GR/CY	Μετάφραση των αυθεντικών οδηγιών λειτουργίας	Σελίδα	51
DE/AT/CH	Originalbetriebsanleitung	Seite	63



# Contents

<b>Introduction</b> .....	<b>2</b>
Intended use .....	2
Depicted components .....	2
Package contents .....	2
Technical data .....	2
<b>General Power Tool Safety Warnings</b> .....	<b>3</b>
1. Work area safety .....	3
2. Electrical safety .....	3
3. Personal safety .....	4
4. Power tool use and care .....	4
5. Service .....	5
Appliance-specific safety instructions for grinders .....	5
<b>Operation</b> .....	<b>5</b>
Tensioning/replacing the abrasive belt .....	5
Adjusting the additional handle .....	5
Flipping up the front cover .....	6
Attaching/removing a dust extraction unit .....	6
Working procedures .....	7
<b>Use</b> .....	<b>7</b>
Switching on and off .....	7
Emptying the dust collector .....	7
Selecting speed and abrasive belt .....	8
Stationary work .....	8
Tips and tricks .....	9
<b>Maintenance and cleaning</b> .....	<b>9</b>
<b>Disposal</b> .....	<b>9</b>
<b>Kompernass Handels GmbH warranty</b> .....	<b>10</b>
<b>Service</b> .....	<b>11</b>
<b>Importer</b> .....	<b>11</b>
<b>Translation of the original Conformity Declaration</b> .....	<b>12</b>

## BELT SANDER PBSD 600 A1

### Introduction

Congratulations on the purchase of your new appliance. You have chosen a high-quality product. The operating instructions are part of this product. They contain important information about safety, usage and disposal. Before using the product, please familiarise yourself with all operating and safety instructions. Use the product only as described and for the range of applications specified. Please also pass these operating instructions on to any future owner.

### Intended use

The belt grinder is designed for the dry surface sanding of wood, plastic, metal and plaster and painted surfaces (depending on the type of sandpaper used). The appliance may only be used for dry sanding. Please note that you need to use appropriate abrasive belts with different grains for working different materials, and that you may need to adapt the speed to suit the material. The appliance is not intended for commercial use. Any other use of or modification to the appliance is deemed to be improper and carries the risk of serious personal injury. The manufacturer accepts no responsibility for damage(s) attributable to misuse.



### Depicted components

- 1 ON/OFF switch
- 2 Additional handle (rubberised grip)
- 3 Front cover
- 4 Clamping lever for abrasive belt
- 5 Belt speed adjusting wheel
- 6 Handle (rubberised grip)
- 7 Screw for adjusting the handle
- 8 Recesses for screw clamps
- 9 Connection for dust collector
- 10 Locking button for ON/OFF switch
- 11 Dust collector
- 12 Adjustment screw for belt tracking
- 13 Abrasive belt
- 14 Screw clamp
- 15 Reducer
- 16 Dust extraction adapter

### Package contents

- 1 belt sander PBSD 600 A1
- 1 abrasive belt for wood (grain 80)
- 1 dust collector
- 1 dust extraction adapter and reducer (for external dust extraction)
- 2 screw clamps
- 1 set of operating instructions

### Technical data

Rated voltage:	230 V ~ 50 Hz (AC)
Rated power consumption:	600 W
Idling belt speed:	170–250 m/min
Rated idling speed:	 n <sub>0</sub> 360–560 rpm
Abrasive belt:	75 x 457 mm
Protection class:	II /  (double insulation)

### Noise emission value:

Noise measurement value determined in accordance with EN 60745. The A-rated noise level of the power tool is typically as follows:

Sound pressure level:	$L_{pA} = 91$ dB (A)
Uncertainty:	$K_{pA} = 3$ dB
Sound power level:	$L_{WA} = 102$ dB (A)
Uncertainty:	$K_{WA} = 3$ dB

### Wear hearing protection!

### Total vibration value:

Total vibration value (vector total of three directions) determined in accordance with EN 60745:

Grinding with the grinding disc:  $a_n = 4.2$  m/s<sup>2</sup>  
Uncertainty  $K = 1.5$  m/s<sup>2</sup>

**NOTE**

- ▶ The vibration level specified in these instructions has been measured in accordance with the standardised measuring procedure specified in EN 60745 and can be used to make equipment comparisons. The specified vibration emission value can also be used to make an initial exposure estimate. The vibration emission value varies in accordance with the use of the power tool and may be higher than the value specified in these instructions in some cases. Regular use of the power tool in this way may cause the user to underestimate the vibration.

**⚠ WARNING!**

- ▶ Try to keep the vibration loads as low as possible. Measures to reduce the vibration load are, e.g. wearing gloves and limiting the working time. This applies to all states of operation (e.g. times when the power tool is switched off and times where the power tool is switched on but running without load).



## General Power Tool Safety Warnings

**⚠ WARNING!**

- ▶ **Read all safety warnings and all instructions.** Failure to follow the warnings and instructions may result in electric shock, fire and/or serious injury.

### Save all warnings and instructions for future reference.

The term "power tool" in the warnings refers to your mains-operated (corded) power tool or battery-operated (cordless) power tool.

### 1. Work area safety

- Keep work area clean and well lit.**  
Cluttered or dark areas invite accidents.
- Do not operate power tools in explosive atmospheres, such as in the presence of flammable liquids, gases or dust.** Power tools create sparks which may ignite the dust or fumes.
- Keep children and bystanders away while operating a power tool.** Distractions can cause you to lose control.

### 2. Electrical safety

- Power tool plugs must match the outlet.**  
Never modify the plug in any way.  
Do not use any adapter plugs with earthed (grounded) power tools. Unmodified plugs and matching outlets will reduce risk of electric shock.
- Avoid body contact with earthed or grounded surfaces, such as pipes, radiators, ranges and refrigerators.** There is an increased risk of electric shock if your body is earthed or grounded.

- c) Do not expose power tools to rain or wet conditions. Water entering a power tool will increase the risk of electric shock.
  - d) Do not abuse the cord. Never use the cord for carrying, pulling or unplugging the power tool. Keep cord away from heat, oil, sharp edges or moving parts. Damaged or entangled cords increase the risk of electric shock.
  - e) When operating a power tool outdoors, use an extension cord suitable for outdoor use. Use of a cord suitable for outdoor use reduces the risk of electric shock.
  - f) If operating a power tool in a damp location is unavoidable, use a residual current device (RCD) protected supply. Use of an RCD reduces the risk of electric shock.
- f) Dress properly. Do not wear loose clothing or jewellery. Keep your hair, clothing and gloves away from moving parts. Loose clothes, jewellery or long hair can be caught in moving parts.
  - g) If devices are provided for the connection of dust extraction and collection facilities, ensure these are connected and properly used. Use of dust collection can reduce dust-related hazards.

#### **4. Power tool use and care**

- a) Do not force the power tool. Use the correct power tool for your application. The correct power tool will do the job better and safer at the rate for which it was designed.
  - b) Do not use the power tool if the switch does not turn it on and off. Any power tool that cannot be controlled with the switch is dangerous and must be repaired.
  - c) Disconnect the plug from the power source and/or the battery pack from the power tool before making any adjustments, changing accessories or storing power tools. Such preventive safety measures reduce the risk of starting the power tool accidentally.
  - d) Store idle power tools out of the reach of children and do not allow persons unfamiliar with the power tool or these instructions to operate the power tool. Power tools are dangerous in the hands of untrained users.
  - e) Maintain power tools. Check for misalignment or binding of moving parts, breakage of parts and any other condition that may affect the power tool's operation. If damaged, have the power tool repaired before use. Many accidents are caused by poorly maintained power tools.
  - f) Keep cutting tools sharp and clean. Properly maintained cutting tools with sharp cutting edges are less likely to bind and are easier to control.
  - g) Use the power tool, accessories and tool bits etc. in accordance with these instructions, taking into account the working conditions and the work to be performed. Use of the power tool for operations different from those intended could result in a hazardous situation.
- ### **3. Personal safety**
- a) Stay alert, watch what you are doing and use common sense when operating a power tool. Do not use a power tool while you are tired or under the influence of drugs, alcohol or medication. A moment of inattention while operating power tools may result in serious personal injury.
  - b) Use personal protective equipment. Always wear eye protection. Protective equipment such as dust mask, non-skid safety shoes, hard hat, or hearing protection used for appropriate conditions will reduce personal injuries.
  - c) Prevent unintentional starting. Ensure the switch is in the off-position before connecting to power source and/or battery pack, picking up or carrying the tool. Carrying power tools with your finger on the switch or energising power tools that have the switch on invites accidents.
  - d) Remove any adjusting key or wrench before turning the power tool on. A wrench or a key left attached to a rotating part of the power tool may result in personal injury.
  - e) Do not overreach. Keep proper footing and balance at all times. This enables better control of the power tool in unexpected situations.

## 5. Service

- a) Have your power tool serviced by a qualified repair person using only identical replacement parts. This will ensure that the safety of the power tool is maintained.

### Appliance-specific safety instructions for grinders

- Hold the appliance by the insulated handles as the abrasive belt **13** can come into contact with its own power cable. Damage to a live wire may make exposed metal parts of the power tool live and could give the operator an electric shock.

#### **⚠ WARNING!**

- Dusts from materials such as leaded paint, some types of wood and metal can be harmful to your health.
- Contact with or inhalation of these dusts can represent a health hazard for the person operating the appliance and other people in the vicinity.
- Wear safety goggles and a protective dust mask!

## Operation

### Tensioning/replacing the abrasive belt

#### **⚠ WARNING! RISK OF INJURY**

- Always remove the power plug from the wall socket before carrying out any work on the belt grinder.

1. Loosen the clamping device for the abrasive belt by swivelling the clamping lever **4** all the way out. The abrasive belt **13** can now be removed.
2. Now fit a new abrasive belt **13** or swap the belt to work on a different material or to use a different grain size.  
**IMPORTANT:** The direction of the arrows on the inside of the abrasive belt **13** and on the appliance housing must match.
3. Push the clamping lever **4** back into its initial position.

#### Manually adjusting the abrasive belt **13**:

If the belt tracking is not centred when you switch on the appliance, you may need to manually adjust it.

- ◆ To do this, turn the adjusting screw **12** on the front roller until the abrasive belt **13** is running centred.  
**IMPORTANT:** It is important to ensure that the abrasive belt **13** does not rub against the housing. Check the belt tracking regularly and adjust it with the adjusting screw if required **12**.

#### Adjusting the additional handle

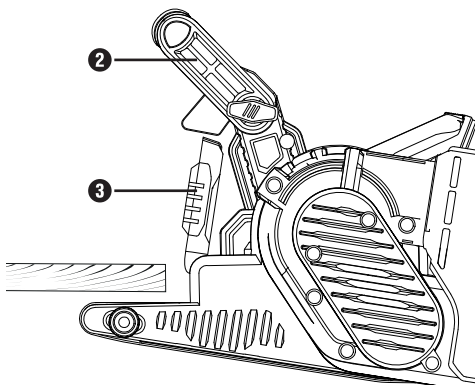
You can position the additional handle **2** in several different positions.

- ◆ To reposition the additional handle **2** undo the screw **7**.
- ◆ Move the additional handle **2** to the required position.
- ◆ Retighten the screw **7**.



## Flipping up the front cover

You can flip up the front cover **3** to grind in hard-to-reach areas (see illustration).



### **⚠ WARNING!**

- ▶ The front cover **3** can only be flipped upwards if the additional handle **2** is also positioned upwards (see section "Adjusting the additional handle").

◆ Flip up the front cover **3**.

## Attaching/removing a dust extraction unit

### **⚠ WARNING! RISK OF EXPLOSION!**

- If there is an explosive dust/air mixture, you must use a specially designed extraction appliance. **RISK OF FIRE DUE TO FLYING SPARKS!** Do not use dust extraction systems (dust collector **11** or vacuum cleaner) when grinding metals.
- Materials containing asbestos must not be processed. Asbestos is a known carcinogen.

### **⚠ WARNING! RISK OF FIRE!**

- When working with power tools which have a dust collector or can be connected to a vacuum cleaner via a vacuum cleaner adapter, there is a risk of fire! In unfavourable conditions, e.g. when sparks are flying while sanding metal or metal residues in wood, wood dust in the dust collector (or the bag of the vacuum cleaner) can spontaneously ignite. This is a particular risk if the wood dust is mixed with paint residues or other chemicals and the workpiece has become hot after being worked for a long time. Therefore, do not allow the workpiece to overheat and always empty the dust box or the dust bag of the vacuum cleaner before taking a break from work.
- Ensure that your workplace is adequately ventilated.
- Observe the regulations applicable in your country regarding the materials to be worked.

-  Wear a dust mask.

### Fitting the dust collector **11**:

- ◆ Push the dust collector **11** onto the dust collector connection **9** from above.

### Dismantling/removing the dust collector:

- ◆ Pull the dust collector **11** off upwards.

### Connecting a dust extraction adapter and reducer for an external extraction appliance:

- ◆ Push the dust extraction adapter **15** onto the connection **9**.
- ◆ Push the reducer **15** for the dust extraction adapter into the adapter fitting **16**.
- ◆ Push the hose from a suitable dust extraction appliance (e.g. a workshop vacuum cleaner) onto the reducer **15** for external vacuum extraction.

### Removing the dust extraction adapter and reducer for an external extraction appliance:

- ◆ Pull off the hose of the dust extraction appliance.
- ◆ Remove the reducer **15** for external dust extraction.
- ◆ Pull the dust extraction adapter **16** upwards off the connection **9**.

### Working procedures

#### A light grinding pressure is sufficient:

- Apply minimal pressure when grinding. The belt grinder's own weight is sufficient for a good grinding result. In addition, working this way helps to reduce the wear on the abrasive belt **13** and the surface of the workpiece will become more smooth.

#### Removal and surface:

- The material removal rate and surface quality are determined by the belt speed and grain strength of the abrasive belt **13** (see also the section "Selecting speed and abrasive belt").

#### Grinding:

- Place the appliance on the workpiece when switched on and work at a moderate feed rate. Guide the grinder in parallel and overlapping sanding motions over the workpiece. To avoid unpleasant transverse grinding marks, always sand in the direction of the grain. After completing the task, lift the appliance from the workpiece and then switch it off.

#### NOTE

- ▶ Always hold the appliance firmly with two hands while working.

## Use

### Switching on and off

While operating the belt grinder, you can choose between instantaneous and continuous operation.

#### Switching to instantaneous operation:

- ◆ Press the ON/OFF switch **1**.

#### Switching off instantaneous operation:

- ◆ Release the ON/OFF switch **1**.

#### Switching to continuous operation:

- ◆ Press the ON/OFF switch **1**, keep it pressed in and then press the lock button **10**.

#### Switching off continuous operation:

- ◆ Press the ON/OFF switch **1** and then release it.

### Emptying the dust collector

The dust collector **11** should be emptied after every 10 minutes of operation at least.

- ◆ Pull the dust collector **11** off (see section "Attaching/removing a dust extraction unit")
- ◆ Shake the dust collector **11** over a rubbish bin to empty it.
- ◆ Fit the dust collector **11** back onto the appliance.

## Selecting speed and abrasive belt

You can use the belt speed adjusting wheel **5** to adjust the speed, even while the appliance is running. The optimum belt speed is dependent on the workpiece or material being processed. We recommend carrying out a practice run to determine the correct speed. In the table below, you will find some recommended values which will help you determine which belt and speed to use for which job.

Material/working area	Softwood
Rough sanding (grain size)	60
Finishing (grain size)	240
Speed preselection	high (5-6)

Material/working area	Hardwood
Rough sanding (grain size)	60
Finishing (grain size)	180
Speed preselection	high (5-6)

Material/working area	Chipboard
Rough sanding (grain size)	60
Finishing (grain size)	150
Speed preselection	high (5-6)

Material/working area	Removing paint/varnish
Rough sanding (grain size)	60
Finishing (grain size)	--
Speed preselection	high (5-6)

Material/working area	Rubbing down paintwork/varnish
Rough sanding (grain size)	150
Finishing (grain size)	320
Speed preselection	low (1-2)

Material/working area	Removing rust from steel
Rough sanding (grain size)	40
Finishing (grain size)	120
Speed preselection	medium/high (3-4)

Material/working area	Plastics
Rough sanding (grain size)	120
Finishing (grain size)	240
Speed preselection	low/medium (2-3)

Material/working area	Non-ferrous metals (e.g. aluminium)
Rough sanding (grain size)	80
Finishing (grain size)	150
Speed preselection	medium/high (3-4)

## Stationary work

- ◆ Turn the additional handle **2** to the horizontal position.
- ◆ Turn the power tool as shown in the illustration and place it on a stable worktop.
- ◆ Fit the two screw clamps **14** in the recesses **8** provided and clamp the power tool tightly.

## Tips and tricks

- Never use the same abrasive belt **13** to work wood and metal.
- Worn or cracked abrasive belts can damage the workpiece. Therefore, be sure to replace worn abrasive belts before starting work.
- Always hang up the abrasive belts to store them, as kinks etc. can make them unusable.

## Maintenance and cleaning



**WARNING! RISK OF INJURY! Switch off the appliance and pull out the power plug before starting any work on the appliance.**

The belt grinder is maintenance-free.

- Always clean the appliance directly after finishing work.
- Use a dry cloth to clean the housing. Under no circumstances should you use fuel, detergents, solvents or abrasive cleaners.

### Emptying/cleaning the dust collector **11**:

- ◆ Pull the dust collector **11** off the appliance.
- ◆ Empty the dust collector **11** completely by knocking out the contents and then push the dust collector **11** back onto the appliance.
- ◆ Ensure ventilation openings are always free.
- ◆ Remove any adhering grinding dust with a brush.

## Disposal



The packaging is made from environmentally friendly material and can be disposed of at your local recycling plant.



**Do not dispose of power tools in your normal domestic waste!**

European Directive 2012/19/EU requires that worn-out power tools be collected separately and recycled in an environmentally compatible manner.

Your local community or municipal authorities can provide information on how to dispose of the appliance.

## **Kompernass Handels GmbH**

### **warranty**

Dear Customer,

This appliance has a 3-year warranty valid from the date of purchase. If this product has any faults, you, the buyer, have certain statutory rights. Your statutory rights are not restricted in any way by the warranty described below.

#### **Warranty conditions**

The validity period of the warranty starts from the date of purchase. Please keep your original receipt in a safe place. This document will be required as proof of purchase.

If any material or production fault occurs within three years of the date of purchase of the product, we will either repair or replace the product for you at our discretion. This warranty service is dependent on you presenting the defective appliance and the proof of purchase (receipt) and a short written description of the fault and its time of occurrence.

If the defect is covered by the warranty, your product will either be repaired or replaced by us. The repair or replacement of a product does not signify the beginning of a new warranty period.

#### **Warranty period and statutory claims for defects**

The warranty period is not prolonged by repairs effected under the warranty. This also applies to replaced and repaired components. Any damage and defects present at the time of purchase must be reported immediately after unpacking. Repairs carried out after expiry of the warranty period shall be subject to a fee.

#### **Scope of the warranty**

This appliance has been manufactured in accordance with strict quality guidelines and inspected meticulously prior to delivery.

The warranty covers material faults or production faults. The warranty does not extend to product parts subject to normal wear and tear or fragile parts such as switches, batteries, baking moulds or parts made of glass.

The warranty does not apply if the product has been damaged, improperly used or improperly maintained. The directions in the operating instructions for the product regarding proper use of the product are to be strictly followed. Uses and actions that are discouraged in the operating instructions or which are warned against must be avoided.

This product is intended solely for private use and not for commercial purposes. The warranty shall be deemed void in cases of misuse or improper handling, use of force and modifications/repairs which have not been carried out by one of our authorised Service centres.

#### **Warranty claim procedure**

To ensure quick processing of your case, please observe the following instructions:

- Please have the till receipt and the item number (e.g. IAN 12345) available as proof of purchase.
- You will find the item number on the type plate, an engraving on the front page of the instructions (bottom left), or as a sticker on the rear or bottom of the appliance.
- If functional or other defects occur, please contact the service department listed either by **telephone** or by **e-mail**.
- You can return a defective product to us free of charge to the service address that will be provided to you. Ensure that you enclose the proof of purchase (till receipt) and information about what the defect is and when it occurred.



You can download these instructions along with many other manuals, product videos and software on [www.lidl-service.com](http://www.lidl-service.com).

## Service

### WARNING!

- Have the power tool repaired by the service centre or a qualified electrician and only using genuine replacement parts. This will ensure that the safety of the appliance is maintained.

### WARNING!

- Always ensure that the power plug or the mains cable is replaced only by the manufacturer of the appliance or by an approved customer service provider. This will ensure that the safety of the appliance is maintained.

### NOTE

- ▶ Replacement parts not listed (such as carbon brushes, switches, dust collector) can be ordered via our service hotline.

#### Service Great Britain

Tel.: 0871 5000 720 (£ 0.10/Min.)

E-Mail: kompernass@lidl.co.uk

#### Service Cyprus

Tel.: 8009 4409

E-Mail: kompernass@lidl.com.cy

IAN 285794

## Importer

Please note that the following address is not the service address. Please use the service address provided in the operating instructions.

KOMPERNASS HANDELS GMBH

BURGSTRASSE 21

DE-44867 BOCHUM

GERMANY

[www.kompernass.com](http://www.kompernass.com)

## Translation of the original Conformity Declaration

We, KOMPERNASS HANDELS GMBH, documents officer: Mr. Semi Uguzlu, BURGSTR. 21, DE-44867 BOCHUM, GERMANY, hereby declare that this product complies with the following standards, normative documents and EC directives:

**Machinery Directive**  
**(2006/42/EC)**

**EMC (Electromagnetic Compatibility)**  
**(2014/30/EU)**

**RoHS Directive**  
**(2011 / 65 / EU)\***

\*The manufacturer bears the full responsibility for compliance with this conformity declaration. The object of the declaration described above complies with the requirements of the Directive 2011/65/EU of the European Parliament and Council of 8 June 2011 on the limitations of use of certain dangerous substances in electrical and electronic appliances.

### Applied harmonised standards:

EN 60745-1:2009/A11:2010

EN 60745-2-4:2009/A11:2011

EN 55014-1:2006/A2:2011

EN 55014-2:2015

EN 61000-3-2:2014

EN 61000-3-3:2013

### Type designation of machine:

Belt sander PBSD 600 A1

**Year of manufacture: 03-2017**

**Serial number: IAN 285794**

Bochum, 13/03/2017



Semi Uguzlu

- Quality Manager -

We reserve the right to make technical changes in the context of further product development.

# Sadržaj

<b>Uvod</b> .....	<b>14</b>
Namjenska uporaba .....	14
Prikazane komponente .....	14
Opseg isporuke .....	14
Tehnički podaci .....	14
<b>Opće sigurnosne napomene za uporabu električnog alata</b> .....	<b>15</b>
1. Sigurnost na radnom mjestu .....	15
2. Električna sigurnost .....	15
3. Sigurnost osoba .....	16
4. Korištenje i rukovanje električnim alatom .....	16
5. Servis .....	17
Sigurnosne napomene specifične za brusilice .....	17
<b>Puštanje u rad</b> .....	<b>17</b>
Zatezanje / zamjena brusne trake .....	17
Podešavanje dodatne ručke .....	17
Podizanje prednjeg poklopca .....	18
Priključivanje/skidanje usisivača prašine .....	18
Napomene za rad .....	19
<b>Rukovanje</b> .....	<b>19</b>
Uključivanje i isključivanje .....	19
Pražnjenje kutije za prašinu .....	19
Izbor broja okretaja i brusne trake .....	20
Stacionaran rad .....	21
Savjeti i trikovi .....	21
<b>Održavanje i čišćenje</b> .....	<b>21</b>
<b>Zbrinjavanje</b> .....	<b>21</b>
<b>Jamstvo tvrtke Kompernass Handels GmbH</b> .....	<b>22</b>
<b>Servis</b> .....	<b>23</b>
<b>Uvoznik</b> .....	<b>23</b>
<b>Prijevod originalne izjave o sukladnosti</b> .....	<b>24</b>



## TRAČNA BRUSILICA PBSD 600 A1

### Uvod

Čestitamo na kupnji Vašeg novog uređaja. Time ste se odlučili za vrlo kvalitetan proizvod. Upute za uporabu sastavni su dio ovog proizvoda. One sadrže važne napomene za sigurnost, rukovanje i zbrinjavanje. Prije uporabe proizvoda upoznajte se sa svim napomenama za rukovanje i sa svim sigurnosnim napomenama. Proizvod koristite isključivo na opisani način i u navedenim područjima uporabe. U slučaju predaje proizvoda trećim osobama, priložite i također predajte i svu dokumentaciju.

### Namjenska uporaba

Tračna brusilica je - ovisno o brusnom papiru - koncipirana za suho brušenje drveta, plastike, metala i gipsa, kao i lakiranih površina. Uređaj se smije koristiti isključivo za suho brušenje. Pazite da za obradu različitih materijala koristite odgovarajuće brusne trake različite gradacije i da broj okretaja također prilagodite materijalu. Uređaj nije namijenjen za komercijalnu uporabu. Svaki drugi način uporabe i svaka izmjena uređaja smatra se nenamjenskom i krije znatnu opasnost od nezgoda. Proizvođač ne preuzima odgovornost za štete nastale uslijed nenamjenskog korištenja uređaja.


### Prikazane komponente

- 1 Prekidač UKLJ / ISKLJ
- 2 Dodatna ručka (gumirana površina)
- 3 Prednji poklopac
- 4 Zatezna poluga za brusnu traku
- 5 Kotačić za podešavanje brzine trake
- 6 Ručka (gumirana površina)
- 7 Vijak za podešavanje ručke
- 8 Utori za navojnu stegu
- 9 Priključak za kutiju za prašinu
- 10 Tipka za fiksiranje prekidača UKLJ / ISKLJ
- 11 Kutija za prašinu
- 12 Vijak za podešavanje hoda trake
- 13 Brusna traka
- 14 Navojna stega
- 15 Redukcijski nastavak
- 16 Adapter za usisavanje

### Opseg isporuke

- 1 Tračna brusilica PBSD 600 A1
- 1 Brusna traka za drvo (gradacija 80)
- 1 Kutija za prašinu
- 1 Adapter za usisavanje i redukcijski nastavak (za vanjsko usisavanje prašine)
- 2 Navojne steg
- 1 Upute za uporabu

### Tehnički podaci

Nazivni napon:	230 V ~ 50 Hz (izmjenična struja)
Nazivna snaga:	600 W
Brzina trake u praznom hodu:	170-250 m / min
Nazivni broj okretaja u praznom hodu:	 n <sub>0</sub> 360-560 min <sup>-1</sup>
Brusna traka:	75 x 457 mm
Razred zaštite:	II/□ (dvostruka izolacija)

### Vrijednost emisije buke:

Mjerna vrijednost buke izmjerena je sukladno EN 60745. A-ocijenjena razina emisije buke električnog alata tipično iznosi:

Razina zvučnog tlaka:	$L_{pA} = 91$ dB (A)
Nesigurnost:	$K_{pA} = 3$ dB
Razina zvučne snage:	$L_{WA} = 102$ dB (A)
Nesigurnost:	$K_{WA} = 3$ dB

### Nosite zaštitu sluha!

### Ukupna vrijednost vibracija:

Ukupne vrijednosti vibracija (zbroy vektora triju smjerova) izračunat u skladu s normom EN 60745:

Brušenje s brusnim tanjurom:  $a_h = 4,2$  m/s<sup>2</sup>

Odstupanje  $K = 1,5$  m/s<sup>2</sup>

## NAPOMENA

- ▶ Razina vibracija navedena u ovim uputama izmjerena je u skladu s normiranom procedurom mjerenja u skladu s EN 60745 i može se koristiti za usporedbu uređaja. Navedena razina emisije vibracija može se koristiti i za uvodnu procjenu izloženosti. Vrijednost emisije vibracija mijenja se ovisno o uporabi električnog alata i u nekim slučajevima može biti iznad vrijednosti navedene u ovim uputama. Vibracijsko opterećenje može se i potcijeniti ako se električni alat redovito koristi na takav način.

## ⚠ UPOZORENJE!

- ▶ Nastojte održavati što manje opterećenje vibracijama. Primjerne mjere za smanjenje opterećenja vibracijama su nošenje rukavica prilikom uporabe uređaja i ograničenje radnog vremena. Pritom morate uzeti u obzir sve sastavne dijelove ciklusa pogona (primjerice razdoblja u kojima je električni uređaj isključen, kao i razdoblja u kojima je uređaj uključen ali radi bez opterećenja).



## Opće sigurnosne napomene za uporabu električnog alata



### ⚠ UPOZORENJE!

- ▶ Pročitajte sve sigurnosne napomene i upute. Nepridržavanje sigurnosnih napomena i uputa može uzrokovati strujni udar, požar i/ili teške ozljede.

### Sačuvajte sve sigurnosne napomene i upute za buduću uporabu.

Pojam „električni alat“ koji se koristi u sigurnosnim napomenama odnosi se na električni alat s mrežnim napajanjem (s mrežnim kablom) i na električni alat s pogonom na baterije (bez mrežnog kabela).

## 1. Sigurnost na radnom mjestu

- a) Radno mjesto držite čistim i dobro osvijetljenim. Neuredno i neosvijetljeno radno mjesto može uzrokovati nezgode.
- b) Električni alat ne koristite u eksplozivnom okruženju u kojem se nalaze zapaljive tekućine, plinovi ili prašina. Električni uređaji stvaraju iskre koje mogu zapaliti prašinu ili pare.
- c) Djecu i druge osobe držite podalje tijekom korištenja električnog alata. U slučaju nepažnje možete izgubiti kontrolu nad uređajem.

## 2. Električna sigurnost

- a) Utikač električnog alata mora pristajati u utičnicu. Utikač se ni na koji način ne smije mijenjati.  
Ne koristite adapterske utikače s uzemljenim električnim alatom. Neizmijenjeni utikači i odgovarajuće utičnice umanjuju rizik od strujnog udara.
- b) Izbjegavajte tjelesni kontakt s uzemljenim površinama kao što su cijevi, sustavi grijanja, štednjaci ili hladnjaci. Rizik od strujnog udara veći je kada je tijelo uzemljeno.

- c) Električni alat držite podalje od kiše i vlage. Prodiranje vode u električni uređaj povećava rizik od strujnog udara.
- d) Ne koristite kabel za druge namjene, primjerice za nošenje uređaja, vješanje uređaja ili izvlačenje utikača iz utičnice. Kabel uređaja držite podalje od izvora topline, ulja, oštih bridova i pokretnih dijelova uređaja. Oštećeni ili zapetljani kabeli povećavaju rizik od strujnog udara.
- e) Ako električni alat koristite na otvorenom, koristite samo produžne kabele koji su odobreni za uporabu na otvorenom. Uporaba takve vrste produžnog kabela prikladnog za uporabu na otvorenom umanjuje rizik od strujnog udara.
- f) Ako nije moguće izbjeći uporabu električnog alata u vlažnom okruženju, koristite fido sklopku. Korištenje fido sklopke smanjuje rizik od strujnog udara.

### 3. Sigurnost osoba

- a) Uvijek budite pažljivi i pazite na ono što radite, i električnim alatom rukujte razumno. Električni alat ne koristite ako ste umorni ili pod utjecajem droga, alkohola ili lijekova. Samo jedan trenutak nepažnje za vrijeme uporabe električnog alata može dovesti do ozbiljnih ozljeda.
- b) Nosite osobnu zaštitnu opremu i uvijek nosite zaštitne naočale. Nošenje osobne zaštitne opreme kao što je maska protiv prašine, nošenje sigurnosnih cipela s potplatima koji ne klize, zaštitnih rukavica, zaštitne kacige ili zaštite za sluh – ovisno o vrsti i namjeni električnog alata – umanjuje rizik od ozljeda.
- c) Izbjegavajte nehotično uključivanje uređaja. Uvjerite se da je električni alat isključen prije nego ga priključite na napajanje i/ili bateriju, uhvatite ili nosite. Ako prilikom nošenja uređaja prst držite na prekidaču UKLJ/ISKUJ ili priključite napajanje uključenog uređaja, može doći do nezgode.
- d) Alat za podešavanje ili ključeve za matice uklonite prije uključivanja električnog alata. Alat ili ključ koji se nalazi u rotirajućem dijelu uređaja mogu dovesti do ozljeda.
- e) Izbjegavajte neprirodan položaj tijela. Pobrižite se da čvrsto stojite i održavajte ravnotežu u svakom trenutku. Na taj ćete način moći bolje kontrolirati električni alat u neočekivanim situacijama.
- f) Nosite prikladnu odjeću. Ne nosite široku odjeću ili nakit. Kosu, odjeću i rukavice držite podalje od pokretnih dijelova. Pokretni dijelovi mogu zahvatiti ležernu, široku odjeću, nakit ili kosu.
- g) Ako je moguće montirati usisivač i sustav za prihvatanje piljevine, uvjerite se da su priključeni i da se ispravno koriste. Uporaba usisivača može smanjiti ugroženost prašinom.

### 4. Korištenje i rukovanje električnim alatom

- a) Ne preopterećujte uređaj. Koristite električni alat prikladan za vrstu posla koji obavljate. Prikladnim električnim alatom moći ćete bolje i sigurnije raditi u navedenom području.
- b) Ne koristite električne alate s oštećenim prekidačima. Električni alat koji ne možete uključiti i isključiti opasan je i treba ga popraviti.
- c) Izvucite utikač iz utičnice i/ili odstranite bateriju prije nego što započnete podešavati uređaj, mijenjati pribor ili odložite uređaj. Ova mjera predostrožnosti onemogućuje nehotično uključivanje uređaja.
- d) Električni alat koji se ne koristi čuvajte izvan dohvata djece. Osobama koje nisu upoznate s načinom rada uređaja ili nisu pročitale upute nemojte dozvoliti da koriste uređaj. Električni alat je opasan ako njime rukuju osobe bez iskustva.
- e) Pažljivo održavajte električni alat. Provjerite rade li svi pokretni dijelovi uređaja besprijekorno i da slučajno nisu zaglavljani. Provjerite da dijelovi uređaja eventualno nisu odlomljeni ili da dijelovi nisu do te mjere oštećeni, da ometaju rad električnog alata. Prije uporabe uređaja oštećene dijelove dajte popraviti. Mnoge nesreće uzrokovane su loše održavanim električnim alatom.

- f) Sav alat za rezanje održavajte oštrim i čistim. Pažljivo održavani alat za rezanje s oštrim oštricama rjeđe se zaglavljuje i lakše se navodi.
- g) Električni alat, pribor i drugi alat koristite prema odgovarajućim uputama. Pritom u obzir uvijek uzmite i uvjete rada, kao i vrstu posla koji treba obaviti. Uporaba električnog alata u druge svrhe osim ovdje opisanih može uzrokovati opasne situacije.

## 5. Servis

- a) Popravak električnog alata prepustite isključivo kvalificiranim stručnjacima i koristite samo originalne rezervne dijelove. Na taj način osiguravate trajnu sigurnost električnog alata.

### Sigurnosne napomene specifične za brusilice

- Uređaj držite za izolirane ručke, jer brusna traka **13** može zahvatiti vlastiti mrežni kabel. Oštećenje voda pod naponom može pod napon staviti metalne dijelove uređaja i uzrokovati strujni udar.

#### UPOZORENJE!

- Prašine materijala kao što su premazi na bazi olova, neke vrste drveta i metali mogu biti štetni po zdravlje.
- Dodir ili udisanje takvih prašina predstavlja opasnost po zdravlje osobe koja rukuje uređajem i osoba koje se nalaze u blizini.
- Nosite zaštitne naočale i zaštitnu masku!



**UPOZORENJE:** Mogućnost strujnog udara !  
Ne otvarati kućište proizvoda !

## Puštanje u rad

### Zatezanje / zamjena brusne trake

#### UPOZORENJE! OPASNOST OD OZLJEDA

- Prije radova na tračnoj brusilici uvijek izvucite mrežni utikač iz utičnice.

- Otpustite uređaj za zatezanje brusne trake okretanjem zatezne poluge **4** skroz prema van. Brusna se traka **13** sada može izvaditi.
- Sada postavite novu brusnu traku **13**, odnosno zamijenite brusnu traku, kako biste obradili drugi materijal ili promijenili gradaciju.  
**VAŽNO:** Smjerovi strelica na unutrašnjoj strani brusne trake **13** i na kućištu uređaja moraju se podudarati.
- Zateznu polugu **4** ponovno pritisnite u početni položaj.

### Ručno fino podešavanje brusne trake **13**:

Ako se hod trake ne centrira nakon uključivanja, hod trake eventualno treba podesiti ručno.

- U tu svrhu okrećite vijak za fino podešavanje **12** na prednjem valjku, sve dok se brusna traka **13** ne kreće centrirano.  
**VAŽNO:** Obavezno pripazite da traka **13** ne struže o kućište. Redovno provjeravajte hod trake i po potrebi naknadno regulirajte vijkom za fino podešavanje **12**.

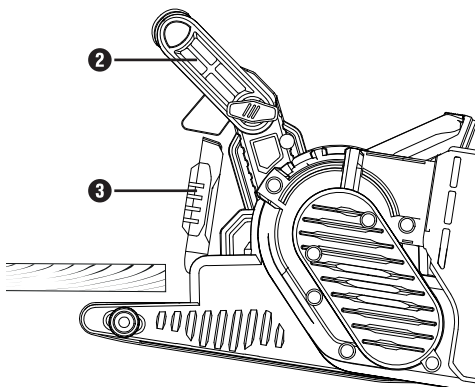
### Podešavanje dodatne ručke

Dodatnu ručku **2** možete podesiti u više položaja.

- Za podešavanje dodatne ručke **2** otpustite vijak **7**.
- Postavite dodatnu ručku **2** u željeni položaj.
- Ponovno čvrsto zategnite vijak **7**.

## Podizanje prednjeg poklopca

Prednji poklopac ❸ možete preklopiti prema gore za brušenje na teško dostupnim mjestima (vidi sliku).



### ⚠ UPOZORENJE!

- ▶ Prednji poklopac ❸ može se podignuti samo ako se i dodatna ručka ❷ također preklopi prema gore (vidi poglavlje „Podešavanje dodatne ručke“).

◆ Prednji poklopac ❸ preklopite prema gore.

## Priključivanje/skidanje usisivača prašine

### ⚠ UPOZORENJE! OPASNOST OD EKSPLOZIJE!

- Za usisavanje eksplozivnih mješavina prašine i zraka potrebno je koristiti poseban prikladan uređaj za usisavanje. **OPASNOST OD POŽARA USLIJED ISKRENJA!** Prilikom brušenja metala ne koristite uređaj za usisavanje (kutiju za prašinu ❶ ili usisivač).
- Materijali koji sadrže azbest ne smiju se obrađivati. Azbest je kancerogen.

### ⚠ UPOZORENJE! OPASNOST OD POŽARA!

- Prilikom rada s električnim alatom koji raspolaže kutijom za sakupljanje prašine ili se preko uređaja za usisavanje može priključiti na usisivač prašine, postoji opasnost od požara! Pod nepovoljnim uvjetima, kao što je iskrenje, prilikom brušenja metala ili metalnih ostataka u drvetu, drvena prašina se kutiji za prihvat prašine (ili u vrećici usisivača) može samostalno zapaliti. To se posebice može dogoditi ako se drvena prašina pomiješa s ostacima laka ili drugim kemijskim tvarima a izradak se nakon dužeg vremena zagrije. Zbog toga obavezno izbjegavajte pregrijavanje izratka i uređaja i prije pauza u radu uvijek ispraznite kutiju za sakupljanje prašine odn. vrećicu usisivača.
- Osigurajte dostatno prozračivanje radnog mjesta.
- Obratite pažnju na propise koji u Vašoj državi vrijede za materijale koji se obrađuju.



- Nosite masku za zaštitu od prašine.

### Pričvršćivanje kutije za prašinu ❶:

- ◆ Kutiju za prašinu ❶ odozgo gurnite na priključak ❹ za kutiju za prašinu.

### Demontiranje / skidanje kutije za sakupljanje prašine:

- ◆ Kutiju za sakupljanje prašine ❶ povucite prema gore.

### Adapter za usisavanje i redukcijski nastavak za vanjsko usisavanje prašine:

- ◆ Gurnite adapter za usisavanje ❶ na priključak ❹.
- ◆ Gurnite redukcijski nastavak ❶ za vanjsko usisavanje prašine u adapter za usisavanje ❶.
- ◆ Crijevo dozvoljenog uređaja za usisavanje (npr. usisivač za radionice) gurnite na redukcijski nastavak ❶ za vanjsko usisavanje prašine.

## Skidanje adaptera za usisavanje i redukcij-skog nastavka za vanjsko usisavanje prašine:

- ◆ Povlačenjem skinite crijevo uređaja za usisavanje prašine.
- ◆ Skinite redukcij-ski nastavak **15** za vanjsko usisavanje prašine.
- ◆ Povucite adapter za usisavanje **16** s priključka **9** prema gore.

## Napomene za rad

### Dovoljan je lagani pritisak:

- Radite s malim pritiskom prilikom brušenja. Vlastita težina brusilice dostatna je za postizanje dobrih rezultata brušenja. Uz to, ovakvim načinom rada umanjujete trošenje brusne trake **13**, a površina izratka bit će glada.

### Abrazija i površina:

- Abrazivan učinak i svojstva površine određuju se gradacijom brusne trake **13** (vidi i odlomak „Odabir broja okretaja i brusne trake“).

### Postupak brušenja:

- Uključeni uređaj postavite na izradak i radite uz umjereni pomak uređaja prema naprijed. Postupak brušenja izvodite paralelno i djelomično preklapajući brusne staze. Kako biste izbjegli ometajuće poprečne tragove brušenja, brusiti treba samo u smjeru vlakana. Uređaj nakon obrade podignite s izratka i zatim ga isključite.

## NAPOMENA

- Uređaj tijekom rada uvijek čvrsto držite objema rukama.

## Rukovanje

### Uključivanje i isključivanje

Prilikom rada tračne brusilice možete birati između trenutnog i trajnog pogona.

#### Uključivanje trenutnog pogona:

- ◆ Pritisnite prekidač UKLJ/ISKLJ **1**.

#### Isključivanje trenutnog pogona:

- ◆ Pustite prekidač UKLJ/ISKLJ **1**.

#### Uključivanje trajnog pogona:

- ◆ Pritisnite prekidač UKLJ / ISKLJ **1**, držite ga pritisnutim i pritisnite gumb za fiksiranje **10**.

#### Isključivanje trajnog pogona:

- ◆ Pritisnite prekidač UKLJ/ISKLJ **1** i ponovno ga pustite.

### Pražnjenje kutije za prašinu

Kutiju za prašinu **11** treba tijekom rada prazniti svakih 10 minuta.

- ◆ Skinite kutiju za prašinu **11** (vidi poglavlje „Priključivanje/skidanje usisivača prašine“)
- ◆ Istesite kutiju za prašinu **11** iznad kante za otpad kako biste je ispraznili.
- ◆ Ponovno pričvrstite kutiju za prašinu **11** na uređaj.

## Izbor broja okretaja i brusne trake

Kotačićem za podešavanje brzine trake **5** broj okretaja možete birati i tijekom rada uređaja. Optimalna brzina kretanja trake ovisi o predmetu koji se obrađuje, odnosno o materijalu. Najprikladniji broj okretaja sami ustanovite pokusom. U sljedećoj tablici navedene su neobvezujuće vrijednosti koje Vam mogu olakšati određivanje brzine.

Materijal / radno područje	Meko drvo
Grubo brušenje (gradacija)	60
Fino brušenje (gradacija)	240
Predodabir broja okretaja	visoko (5-6)

Materijal / radno područje	Tvrdo drvo
Grubo brušenje (gradacija)	60
Fino brušenje (gradacija)	180
Predodabir broja okretaja	visoko (5-6)

Materijal / radno područje	Iverica
Grubo brušenje (gradacija)	60
Fino brušenje (gradacija)	150
Predodabir broja okretaja	visoko (5-6)

Materijal / radno područje	Uklanjanje boje / lakova
Grubo brušenje (gradacija)	60
Fino brušenje (gradacija)	--
Predodabir broja okretaja	visoko (5-6)

Materijal / radno područje	Pripremno brušenje lakova
Grubo brušenje (gradacija)	150
Fino brušenje (gradacija)	320
Predodabir broja okretaja	nisko (1-2)

Materijal / radno područje	Skidanje hrđe sa čelika
Grubo brušenje (gradacija)	40
Fino brušenje (gradacija)	120
Predodabir broja okretaja	srednje /visoko (3-4)

Materijal / radno područje	Plastika
Grubo brušenje (gradacija)	120
Fino brušenje (gradacija)	240
Predodabir broja okretaja	nisko / srednje (2-3)

Materijal / radno područje	Neželjezni metali (npr. aluminij)
Grubo brušenje (gradacija)	80
Fino brušenje (gradacija)	150
Predodabir broja okretaja	srednje /visoko (3-4)

## Stacionaran rad

- ◆ Postavite dodatnu ručku **2** u vodoravan položaj.
- ◆ Okrenite električni alat kao što je prikazano na slici A i postavite ga na stabilnu radnu ploču.
- ◆ Dvije navojne stege **14** umetnite u odgovarajuće predviđene utore **8** i čvrsto zategnite električni alat.

## Savjeti i trikovi

- Nikada istom brusnom trakom **13** ne obrađujte drvo i metal.
- Istrošene ili napukle brusne trake mogu oštetiti izradak. Zbog toga pravovremeno zamijenite brusne trake.
- Brusne trake čuvajte isključivo u visećem položaju, jer iste uslijed lomova itd. postaju neupotrebljive.

## Održavanje i čišćenje



**UPOZORENJE! OPASNOST OD OZ-LJEDA! Prije radova na uređaju isti obavezno isključite i izvucite utikač iz utičnice.**

Tračna brusilica ne zahtijeva održavanje.

- Uređaj očistite odmah po završetku rada.
- Za čišćenje uređaja koristite suhu krpu. Ni u kom slučaju ne koristite benzin, otapala ili sredstva za čišćenje koja agresivno djeluju na plastiku.

### Pražnjenje / čišćenje kutije za prašinu **11**:

- ◆ Povlačenjem kutiju za sakupljanje prašine **11** skinite s uređaja.
- ◆ Kutiju za prašinu **11** potpuno ispraznite lupkanjem, pa kutiju za prašinu **11** ponovo natakните na uređaj.
- ◆ Otvore za ventilaciju uvijek održavajte slobodnima.
- ◆ Brusnu prašinu odstranite pomoću kista.

## Zbrinjavanje



Ambalaža se sastoji od materijala neškodljivih za okoliš koji se mogu zbrinuti preko mjesnih ispostava za recikliranje.



**Električne alate ne bacajte zajedno s kućnim otpadom!**

U skladu s europskom direktivom 2012/19/EU stari električni alati moraju se prikupiti odvojeno i zbrinuti na ekološki prihvatljiv način.

O mogućnostima zbrinjavanja starih uređaja možete saznati u gradskom ili općinskom poglavarstvu.



## Jamstvo tvrtke Kompernass Handels GmbH

Poštovani kupci,

Za ovaj uređaj odobrava se jamstvo u trajanju od 3 godine od datuma kupnje. U slučaju nedostataka ovoga proizvoda, Vama pripadaju zakonska prava na teret prodavača proizvoda. U nastavku izloženo jamstvo ne ograničava ova zakonska prava.

### Uvjeti jamstva

Jamstveni rok započinje danom kupnje. Molimo Vas da dobro sačuvate originalni račun. Ovaj dokument je potreban kao dokaz o kupnji.

Ako u roku od tri godine od dana kupnje ovog proizvoda dođe do greške u materijalu ili izradi, proizvod ćemo - prema našem izboru - besplatno popraviti ili zamijeniti. Za takvo ispunjenje jamstvene obaveze potrebno je unutar trogodišnjeg roka uređaj s nedostatkom i dokaz o kupnji (račun) predložiti i pismeno ukratko opisati u čemu se sastoji greška proizvoda i kada se pojavila.

Ako je kvar pokriven našim jamstvom, poslat ćemo Vam popravljen ili novi proizvod. Popravkom ili zamjenom proizvoda ne započinje novi jamstveni rok.

### Jamstveni rok i zakonsko pravo u slučaju nedostataka

Korištenje prava na jamstvo ne produžuje jamstveni rok. To vrijedi i za zamijenjene i popravljene dijelove. Štete i nedostatke koji eventualno postoje već prilikom kupnje treba javiti neposredno nakon raspakiranja. Nakon isteka jamstvenog roka izvršeni popravci se naplaćuju.

### Opseg jamstva

Uređaj je pažljivo proizveden sukladno strogim smjernicama u pogledu kvalitete i prije isporuke brižljivo provjeren.

Ovo jamstvo vrijedi za greške u materijalu i izradi. Jamstvo ne obuhvaća dijelove proizvoda koji su izloženi normalnom trošenju i stoga se mogu smatrati potrošnim dijelovima, niti oštećenja lomljivih dijelova, npr. prekidača, baterija, kalupa za pečenje ili dijelova izrađenih od stakla.

Ovo jamstvo propada ako je proizvod oštećen, i ako nije stručno korišten ili servisiran. Za stručno korištenje proizvoda potrebno je točno poštivati sve naputke navedene u uputama za uporabu.

Uporabne namjene i radnje, koje se u uputama ne preporučuju ili na koje se upozorava, obavezno se moraju izbjegavati.

Proizvod je namijenjen isključivo za privatnu, nekomercijalnu uporabu. Jamstvo prestaje vrijediti u slučaju zlorabe, nenamjenskog korištenja, primjene sile i zahvata na uređaju koje nije obavila za to ovlaštena podružnica servisa.

### Realizacija u slučaju jamstvenog zahtjeva

Kako bismo zajamčili brzu obradu Vašeg zahtjeva, molimo slijedite sljedeće napomene:

- Molimo Vas da za sve upite u pripravnosti držite blagajnički račun i broj artikla (npr. IAN 12345) kao dokaz o kupnji.
- Broj artikla možete pronaći na tipskoj pločici u obliku gravure, na naslovnoj stranici Vaših uputa (dolje lijevo) ili u obliku naljepnice na stražnjoj ili donjoj strani.
- Ako dođe do smetnji u radu ili drugih nedostataka, najprije **telefonski ili preko elektronske pošte** kontaktirajte servisni odjel naveden u nastavku.
- Proizvod registriran kao neispravan onda možete zajedno s priloženim dokazom o kupnji (blagajnički račun) i s opisom nedostatka i kada se pojavio, besplatno poslati na dobivenu adresu servisa.



Na stranici [www.lidl-service.com](http://www.lidl-service.com) možete preuzeti ove i mnoge druge priručnike, videosnimke o proizvodu i softver.

## Servis

### UPOZORENJE!

- Uređaje na popravak predajte podružnici servisa ili stručnom električaru uz isključivu uporabu originalnih rezervnih dijelova. Na taj se način osigurava održanje sigurnosti uređaja.

### UPOZORENJE!

- Zamjenu utikača ili priključnog voda uvijek treba izvršiti proizvođač uređaja ili njegov servis. Na taj se način osigurava održanje sigurnosti uređaja.

### NAPOMENA

- ▶ Rezervni dijelovi koji nisu navedeni (kao npr. ugljene četkice, prekidači, kutija za prašinu) mogu se naručiti preko našeg servisnog telefonskog centra.

#### Servis Hrvatska

Tel.: 0800 777 999

E-Mail: [kompernass@lidl.hr](mailto:kompernass@lidl.hr)

IAN 285794

## Uvoznik

Molimo obratite pozornost na to, da adresa navedena u nastavku nije adresa servisa. Najprije kontaktirajte navedenu ispostavu servisa.

Lidl Hrvatska d.o.o. k.d.,  
Ulica kneza Ljudevita Posavskog 53,  
HR-10410 Velika Gorica, Hrvatska

### Proizvođač:

KOMPERNASS HANDELS GMBH  
BURGSTRASSE 21  
DE-44867 BOCHUM  
NJEMAČKA  
[www.kompernass.com](http://www.kompernass.com)

## Prijevod originalne izjave o sukladnosti

Mi, tvrtka KOMPERNASS HANDELS GmbH, osoba odgovorna za dokumentaciju: g. Semi Uguzlu, BURGSTR. 21, DE - 44867 BOCHUM, Njemačka, ovime izjavljujemo da ovaj proizvod zadovoljava sljedeće norme, normativne dokumente i direktive EU:

**Direktivu o strojevima  
(2006 / 42 / EC)**

**Direktivu o elektromagnetskoj kompatibilnosti  
(2014 / 30 / EU)**

**Direktivu RoHS (direktivu o ograničenju uporabe opasnih tvari u električnoj i elektroničkoj opremi)  
(2011 / 65 / EU)\***

\* Isključivu odgovornost za izdavanje ove izjave o sukladnosti snosi proizvođač. Gore opisan predmet izjave ispunjava propise smjernice 2011/65/EU Europskog parlamenta i vijeća od 8. lipnja 2011 za ograničenje uporabe određenih opasnih tvari u električnim i elektronskim uređajima.

### Primijenjene usklađene norme:

EN 60745-1:2009/A11:2010

EN 60745-2-4:2009/A11:2011

EN 55014-1:2006/A2:2011

EN 55014-2:2015

EN 61000-3-2:2014

EN 61000-3-3:2013

### Oznaka tipa stroja:

Tračna brusilica PBSD 600 A1

### Godina proizvodnje: 03-2017

### Serijski broj: IAN 285794

Bochum, 13.03.2017.



Semi Uguzlu

- Voditelj odjela kvalitete -

Zadržavamo pravo na tehničke izmjene u svrhu daljnjeg razvoja proizvoda.

# Cuprins

<b>Introducere</b> .....	<b>26</b>
Utilizarea conform destinației .....	26
Componente ilustrate .....	26
Furnitura .....	26
Date tehnice .....	26
<b>Indicații generale de siguranță pentru sculele electrice</b> .....	<b>27</b>
1. Siguranța zonei de lucru .....	27
2. Siguranța electrică .....	27
3. Siguranța persoanelor .....	28
4. Utilizarea și manevrarea sculei electrice .....	28
5. Service .....	29
Indicații de siguranță specifice pentru șlefuitoare .....	29
<b>Punerea în funcțiune</b> .....	<b>29</b>
Fixarea/schimbarea benzii de șlefuit .....	29
Reglarea mânerului suplimentar .....	29
Ridicarea capacului frontal .....	30
Montarea/scoaterea dispozitivului de aspirare a prafului .....	30
Instrucțiuni de lucru .....	31
<b>Operarea</b> .....	<b>31</b>
Pornirea și oprirea .....	31
Golirea cutiei de colectare a prafului .....	31
Selectarea turajției și a benzii de șlefuit .....	32
Lucrul staționar .....	32
Sugestii și idei .....	33
<b>Întreținerea și curățarea</b> .....	<b>33</b>
<b>Eliminarea</b> .....	<b>33</b>
<b>Garanția Kompnass Handels GmbH</b> .....	<b>34</b>
<b>Service-ul</b> .....	<b>35</b>
<b>Importator</b> .....	<b>35</b>
<b>Traducerea declarației de conformitate originale</b> .....	<b>36</b>

## MAȘINĂ DE ȘLEFUIT CU BANDĂ PBSD 600 A1

### Introducere

Felicitări pentru cumpărarea noului dvs. aparat. Ați decis să alegeți un produs de calitate superioară. Instrucțiunile de utilizare fac parte integrantă din acest produs. Acestea cuprind informații importante privind siguranța, utilizarea și eliminarea. Înainte de utilizarea produsului familiarizați-vă cu toate indicațiile privind utilizarea și siguranța. Utilizați produsul numai în modul descris și numai în domeniile de utilizare menționate. În cazul transmiterii produsului unei alte persoane, predați-i toate documentele aferente acestuia.

### Utilizarea conform destinației

Mașina de șlefuit cu bandă este concepută – în funcție de hârtia abrazivă – pentru șlefuirea uscată a suprafețelor din lemn, material plastic, metal și material de șpăcluit, precum și a suprafețelor lăcuite. Aparatul poate fi utilizat numai pentru șlefuirea uscată. Pentru prelucrarea diferitelor materiale se va avea în vedere utilizarea pănzelor de șlefuit corespunzătoare cu granulații diferite și potrivirea turației la material. Este interzisă utilizarea aparatului în scopuri comerciale. Orice altă utilizare sau modificare a aparatului este considerată a fi neconformă și atrage după sine pericole serioase de accidentare. Producătorul nu își asumă răspunderea pentru prejudiciile rezultate în urma unei utilizări care contravine destinației.

### Componente ilustrate


- 1 Comutator PORNIT/OPRIT
- 2 Mâner suplimentar (suprafață de prindere cauciucată)
- 3 Capac frontal
- 4 Pârghie de tensionare pentru banda de șlefuit
- 5 Roată de reglare viteză bandă
- 6 Mâner (suprafață de prindere cauciucată)
- 7 Șurub pentru reglarea mânerului
- 8 Decupaje pentru menghina de mână
- 9 Conexiune pentru cutia de colectare a prafului
- 10 Tastă de blocare pentru comutatorul PORNIT/OPRIT
- 11 Cutie de colectare a prafului
- 12 Șurub de reglare pentru deplasarea benzii

- 13 Bandă de șlefuit
- 14 Menghină de mână
- 15 Piesă de reducere
- 16 Adaptor de aspirație

### Furnitura

- 1 mașină de șlefuit cu bandă PBSD 600 A1
- 1 bandă de șlefuit pentru lemn (granulația 80)
- 1 cutie de colectare a prafului
- 1 adaptor de aspirație și piesă de reducere (pentru aspirarea externă a prafului)
- 2 menghine de mână
- 1 exemplar instrucțiuni de utilizare

### Date tehnice

Tensiunea nominală:	230 V ~ 50 Hz (curent alternativ)
Consum nominal:	600 W
Viteză bandă la mers în gol:	170–250 m / min
Turația nominală la mers în gol:	 n <sub>0</sub> 360–560 min <sup>-1</sup>
Bandă de șlefuit:	75 x 457 mm
Clasa de protecție:	II/□ (izolare dublă)

### Valoarea emisiei de zgomot:

Valoarea măsurată pentru zgomot determinată conform EN 60745. Nivelul de zgomot evaluat A al sculei electrice este în mod tipic de:

Nivelul presiunii acustice:	$L_{pA} = 91$ dB (A)
Incertitudine:	$K_{pA} = 3$ dB
Nivelul puterii acustice:	$L_{WA} = 102$ dB (A)
Incertitudine:	$K_{WA} = 3$ dB

### Purtați echipament de protecție a auzului!

### Valoarea totală a vibrațiilor:

Valorile totale ale vibrațiilor (suma vectorială a trei direcții) determinate conform EN 60745:  
Șlefuire cu disc abraziv:  $a_h = 4,2$  m/s<sup>2</sup>  
Incertitudine K = 1,5 m/s<sup>2</sup>

## INDICAȚIE

- Nivelul vibrațiilor indicat în aceste instrucțiuni a fost măsurat conform unei proceduri standardizate de măsurare specificată în EN 60745 și poate fi utilizat pentru compararea aparatelor. Valoarea indicată a vibrațiilor emise poate fi utilizată și pentru o evaluare introductivă a expunerii. Valoarea vibrațiilor emise se va modifica în funcție de utilizarea sculei electrice, iar în anumite cazuri se poate afla peste valoarea indicată în aceste instrucțiuni. Expunerea la vibrații ar putea fi subapreciată dacă scula electrică este utilizată regulat într-un asemenea mod.

## ⚠ AVERTIZARE!

- Încercați să mențineți sarcina prin vibrații la un nivel cât mai redus. Măsurile ilustrative pentru reducerea expunerii la vibrații sunt purtarea mănușilor în timpul utilizării sculei și limitarea timpului de lucru. În acest scop, trebuie luate în considerare toate componentele ciclului de funcționare (de exemplu perioadele în care scula electrică a fost oprită și perioadele în care, deși a fost pornită, a funcționat fără sarcină).



## Indicații generale de siguranță pentru sculele electrice



### ⚠ AVERTIZARE!

- Citiți toate indicațiile de siguranță și instrucțiunile. Nerespectarea indicațiilor de siguranță și a instrucțiunilor poate cauza electrocutare, incendii și/sau răniri grave.

### Păstrați toate indicațiile de siguranță și instrucțiunile pentru consultarea ulterioară.

Noțiunea de „sculă electrică” utilizată în indicațiile de siguranță se referă la sculele electrice alimentate de la rețea (cu cablu de alimentare) și la sculele electrice cu acumulatori (fără cablu de alimentare).

## 1. Siguranța zonei de lucru

- Păstrați-vă zona de lucru curată și bine iluminată. Dezordinea și zonele de lucru iluminate necorespunzător pot conduce la accidentări.
- Nu lucrați cu scula electrică în zone cu potențial exploziv în care se găsesc lichide, gaze sau pulberi inflamabile. Sculele electrice produc scânteii care pot aprinde pulberea sau vaporii.
- În timpul utilizării sculei electrice țineți la distanță copiii și alte persoane. Dacă sunteți distras, puteți pierde controlul asupra aparatului.

## 2. Siguranța electrică

- Fișa de racord a sculei electrice trebuie să se potrivească în priză. Ștecărul nu trebuie modificat în niciun fel.  
Nu folosiți adaptoare împreună cu scule electrice protejate prin legare la pământ. Ștecărele nemodificate și prizele adecvate reduc riscul de electrocutare.
- Evitați contactul corpului cu suprafețele împământate precum țevi, calorifere, aragaze și frigidere. În cazul în care contactul există, riscul de electrocutare este crescut.

- c) Nu expuneți sculele electrice ploii sau umezelii. Pătrunderea apei într-un aparat electric crește riscul de electrocutare.
- d) Nu utilizați cablul într-un alt scop decât cel destinat, de exemplu pentru a transporta sau pentru a suspenda scula electrică sau pentru a trage ștecărul din priză. Feriți cablul de temperaturi ridicate, ulei, muchii ascuțite sau de piese ale aparatului aflate în mișcare. Cablurile deteriorate sau încurcate cresc riscul de electrocutare.
- e) Atunci când lucrați cu o sculă electrică în aer liber, utilizați numai prelungitoare care sunt admise pentru uzul în exterior. Utilizarea unui prelungitor adecvat pentru uzul în exterior reduce riscul de electrocutare.
- f) Dacă utilizarea sculei electrice într-un mediu umed este inevitabilă, utilizați un întrerupător de protecție contra curenților vagabonzi. Utilizarea unui întrerupător de protecție contra curenților vagabonzi reduce riscul de electrocutare.
- d) Îndepărtați sculele de reglare sau șurubelnițele înainte de a porni scula electrică. O sculă sau o cheie care se află într-o piesă rotativă a aparatului poate provoca răni.
- e) Evitați pozițiile anormale ale corpului. Asigurați o poziție fixă și păstrați-vă echilibrul în orice moment. Astfel puteți controla mai bine scula electrică în situații neașteptate.
- f) Purtați îmbrăcăminte adecvată. Nu purtați îmbrăcăminte largă sau bijuterii. Țineți părul, îmbrăcămintea și mănușile departe de componentele mobile. Îmbrăcămintea largă, bijuteriile sau părul lung pot fi agățate de componentele mobile.
- g) Dacă pot fi montate dispozitive de aspirare și de captare a prafului, asigurați-vă că acestea sunt racordate și că sunt utilizate corect. Utilizarea unui dispozitiv de aspirare a prafului poate reduce expunerea la pericole provocate de praf.

### 3. Siguranța persoanelor

- a) Fiți mereu precaut, fiți atent la ceea ce faceți și acționați în mod rațional atunci când lucrați cu o sculă electrică. Nu utilizați sculele electrice dacă sunteți obosit sau dacă vă aflați sub influența drogurilor, alcoolului sau a medicamentelor. Un moment de neatenție în timpul utilizării sculei electrice poate duce la răni grave.
- b) Purtați echipament individual de protecție și întotdeauna ochelari de protecție. Purtarea de echipament individual de protecție precum mască antipraf, încălțăminte de protecție antiderapantă, cască de protecție sau echipament de protecție a auzului, în funcție de tipul și utilizarea sculei electrice, reduce riscul de rănire.
- c) Evitați punerea în funcțiune neintenționată. Asigurați-vă că scula electrică este oprită înainte de a o conecta la alimentarea cu curent și/sau la acumulator, înainte de a o lua în mână sau de a o transporta. Transportul sculei electrice cu degetul pe comutator sau conectarea aparatului deja pornit la alimentarea cu curent poate provoca accidente.
- 4. Utilizarea și manevrarea sculei electrice
  - a) Nu suprasolicitați aparatul. Utilizați pentru lucrarea dvs. scula electrică destinată respectivei lucrări. Cu scula electrică adecvată lucrați mai bine și mai sigur în domeniul de putere specificat.
  - b) Nu utilizați nicio sculă electrică al cărei comutator este defect. O sculă electrică a cărei pornire sau oprire nu mai este posibilă, este periculoasă și trebuie reparată.
  - c) Scoateți ștecărul din priză și/sau îndepărtați acumulatorul înainte de a efectua reglaje la aparat, înainte de a schimba accesoriile sau de a pune aparatul deoparte. Această măsură de precauție împiedică pornirea neintenționată a sculei electrice.
  - d) Nu păstrați sculele electrice neutilizate la îndemâna copiilor. Nu permiteți ca aparatul să fie utilizat de persoane care nu sunt familiarizate cu aparatul sau care nu au citit aceste instrucțiuni. Sculele electrice sunt periculoase dacă sunt utilizate de persoane fără experiență.

- e) Îngrijiți cu atenție sculele electrice. Verificați dacă componentele mobile funcționează ireproșabil și dacă nu se blochează, dacă există componente rupte sau deteriorate în așa fel încât să fie afectată funcționarea sculei electrice. Înainte de utilizarea aparatului, solicitați repararea componentelor deteriorate. Multe accidente sunt provocate de întreținerea necorespunzătoare a sculelor electrice.
- f) Mențineți sculele de tăiere ascuțite și curate. Sculele de tăiere îngrijite cu atenție, cu muchii de tăiere ascuțite se blochează mai rar și sunt mai ușor de controlat.
- g) Utilizați sculele electrice, accesoriile, capetele atașabile etc. conform acestor instrucțiuni. În același timp aveți în vedere condițiile de lucru și activitatea pe care trebuie să o executați. Utilizarea sculelor electrice pentru alte aplicații decât cele prevăzute poate duce la situații periculoase.

## 5. Service

- a) Dispuneți repararea sculei electrice pe care o dețineți numai de către personal calificat și numai cu piese de schimb originale. Astfel se asigură menținerea siguranței sculei electrice.

## Indicații de siguranță specifice pentru șlefuitoare

- Țineți aparatul numai de suprafețele izolate ale mânerului, deoarece banda de șlefuit 13 poate atinge cablul propriu de alimentare. Deteriorarea unui cablu conducător de tensiune poate pune sub tensiune piesele metalice ale aparatului și poate provoca electrocutarea.

### AVERTIZARE!

- Praful provenit de la materiale precum vopsea cu conținut de plumb, de la unele tipuri de lemn și metale poate fi dăunător pentru sănătate.
- Atingerea sau inspirarea acestui praf prezintă pericol pentru sănătatea operatorului sau a persoanelor aflate în apropiere.
- Purtați ochelari de protecție și mască de protecție împotriva prafului!

## Punerea în funcțiune

### Fixarea/schimbarea benzii de șlefuit

#### AVERTIZARE! PERICOL DE RĂNIRE

- Scoateți întotdeauna ștecărul din priză înainte efectuării lucrărilor la mașina de șlefuit cu bandă.

1. Deschideți dispozitivul de prindere pentru banda de șlefuit prin scoaterea completă a pârghiei de tensionare 4. Banda de șlefuit 13 se poate îndepărta.
2. Introduceți acum o nouă bandă de șlefuit 13, respectiv schimbați-o pentru a prelucra alt material sau pentru a schimba granulația. **IMPORTANT:** Direcția săgeților de pe partea interioară a benzii de șlefuit 13 și de pe carcasa aparatului trebuie să corespundă.
3. Apăsăți pârghia de tensionare 4 din nou în poziția inițială.

#### Ajustați banda de șlefuit 13 manual:

În cazul în care deplasarea benzii nu este centrată după pornire, trebuie să o reajustați manual, dacă este necesar.

- ◆ Pentru aceasta învârtiți șurubul de reglare 12 de la rola din față, până când banda de șlefuit 13 se deplasează centrat. **IMPORTANT:** Aveți neapărat grijă ca banda de șlefuit 13 să nu șlefuiască carcasa. Verificați periodic deplasarea benzii și reglați-o, dacă este necesar, cu ajutorul șurubului de reglare 12.

#### Reglarea mânerului suplimentar

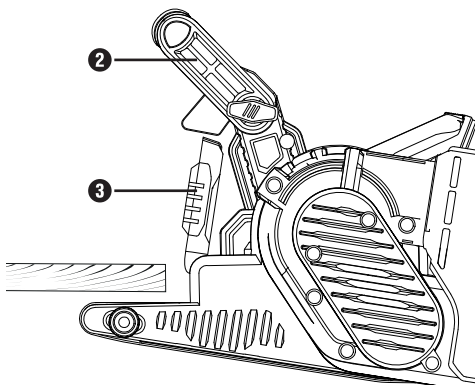
Mânerul suplimentar 2 poate fi reglat în mai multe poziții.

- ◆ Desfaceți pentru reglarea mânerului suplimentar 2 șurubul 7.
- ◆ Reglați mânerul suplimentar 2 în poziția dorită.
- ◆ Strângeți din nou șurubul 7.



## Ridicarea capacului frontal

Pentru șlefuirea în locurile greu accesibile puteți ridica capacul frontal **3** (a se vedea figura).



### ⚠️ AVERTIZARE!

- ▶ Capacul frontal **3** poate fi ridicat numai dacă mânerul suplimentar **2** a fost, de asemenea, ridicat (a se vedea capitolul „Reglarea mânerului suplimentar”).

◆ Ridicați capacul frontal **3**.

## Montarea/scoaterea dispozitivului de aspirare a prafului

### ⚠️ AVERTIZARE! PERICOL DE EXPLOZIE!

- În caz de praf/amestec de aer exploziv, trebuie să folosiți un aspirator special adecvat. **PERICOL DE INCENDIU PRIN DEGAJAREA SCÂNTEILOR!** Nu folosiți dispozitive de aspirare a prafului în cazul șlefuirii metalelor (cutie de colectare a prafului **11** sau aspirator).
- Este interzisă prelucrarea materialelor cu conținut de azbest. Azbestul este cancerigen.

### ⚠️ AVERTIZARE! PERICOL DE INCENDIU!

- Pericol de incendiu la lucrul cu aparate electrice care dispun de o cutie de colectare a prafului sau care pot fi conectate la aspirator prin intermediul unui dispozitiv de aspirare a prafului. În condiții neprielnice, de exemplu la degajarea scânteilor, șlefuirea metalului sau resturilor metalice din lemn, praful de lemn din cutia de colectare a prafului (sau din pungă aspiratorului) se poate aprinde de la sine. Acest lucru se poate produce în special atunci când praful de lemn este amestecat cu resturi de lac sau alte substanțe chimice, iar piesa șlefuită este fierbinte după prelucrarea îndelungată. De aceea evitați întotdeauna supraîncălzirea piesei șlefuite și a aparatului și goliți cutia de colectare a prafului, respectiv punga aspiratorului înaintea pauzelor de lucru.
- Asigurați aerisirea suficientă a zonei de lucru.
- Respectați normele naționale în vigoare privind materialele de prelucrat.



- Purtați mască antipraf.

### Montarea cutiei de colectare a prafului **11**:

- ◆ Împingeți cutia de colectare a prafului **11** de sus pe conexiunea **9** pentru cutia de colectare a prafului.

### Demontarea/scoaterea cutiei de colectare a prafului:

- ◆ Scoateți cutia de colectare a prafului **11** trăgând-o în sus.

### Montarea adaptorului de aspirație și a piesei de reducere pentru aspirarea externă:

- ◆ Împingeți adaptorul de aspirație **16** pe conexiune **9**.
- ◆ Împingeți piesa de reducere **15** pentru aspirarea externă în adaptorul de aspirație **16**.
- ◆ Împingeți furtunul unui dispozitiv adecvat de aspirare a prafului (de exemplu al unui aspirator industrial) pe piesa de reducere **15** pentru aspirarea externă.

## Scoaterea adaptorului de aspirație și a piesei de reducere pentru aspirarea externă:

- ◆ Detașați furcunul dispozitivului de aspirare a prafului.
- ◆ Scoateți piesa de reducere **15** pentru aspirarea externă.
- ◆ Scoateți adaptorul de aspirație **16** de pe conexiune **9**, în sus.

## Instrucțiuni de lucru

### Este suficientă o ușoară apăsare la șlefuire:

- Lucrați exercitând o presiune redusă. Greutate proprie a mașinii de șlefuit cu bandă este suficientă pentru performanțe bune de șlefuire. Suplimentar, prin acest mod de lucru, banda de șlefuit **13** este menajată împotriva uzurii, iar suprafața piesei de prelucrat devine mai netedă.

### Deburarea și suprafața:

- Puterea de deburare și calitatea suprafeței depind de viteza benzii și de granulația benzii de șlefuit **13** (a se vedea și secțiunea „Selectarea turajului și a benzii de șlefuit”).

### Procesul de șlefuire:

- Așezați aparatul pornit pe piesa de prelucrat și lucrați cu avans moderat. Executați șlefuirea paralel și suprapus pe liniile de șlefuire. Pentru evitarea urmelor neplăcute și transversale de șlefuire, lucrați numai în direcția fibrelor. După finalizarea prelucrării ridicăți aparatul de pe piesă și abia apoi opriți-l.

## INDICAȚIE

- Pe durata lucrului țineți întotdeauna aparatul ferm, cu ambele mâini.

## Operarea

### Pornirea și oprirea

Pe durata exploatării mașinii de șlefuit cu bandă poate fi selectat regimul instantaneu și cel continuu.

#### Pornirea regimului instantaneu:

- ◆ Apăsăți comutatorul PORNIT/OPRIT **1**.

#### Oprirea regimului instantaneu:

- ◆ Eliberați comutatorul PORNIT/OPRIT **1**.

#### Pornirea regimului continuu:

- ◆ Apăsăți comutatorul PORNIT/OPRIT **1**, țineți-l apăsat și apăsați tasta de blocare **10**.

#### Oprirea regimului continuu:

- ◆ Apăsăți comutatorul PORNIT/OPRIT **1** și apoi eliberați-l.

### Golirea cutiei de colectare a prafului

Cutia de colectare a prafului **11** ar trebui golită în timpul funcționării la fiecare 10 minute.

- ◆ Scoateți cutia de colectare a prafului **11** (a se vedea capitolul „Montarea/scoaterea dispozitivului de aspirare a prafului”).
- ◆ Scuturați cutia de colectare a prafului **11** peste o găleată de gunoi pentru a o goli.
- ◆ Montați cutia de colectare a prafului **11** din nou pe aparat.

## Selectarea turației și a benzii de șlefuit

Cu roata de reglare pentru viteza benzii **5** puteți selecta turația și în timpul funcționării aparatului. Viteza optimă a benzii depinde de piesa de prelucrat, respectiv de material. Determinați întotdeauna turația optimă printr-un test practic. În tabelul de mai jos sunt prezentate valorile orientative care vă facilitează determinarea turației.

Material/zonă de lucru	Lemn de esență moale
Șlefuire grosieră (granulație)	60
Șlefuire fină (granulație)	240
Preselectare turație	întă (5-6)

Material/zonă de lucru	Lemn de esență tare
Șlefuire grosieră (granulație)	60
Șlefuire fină (granulație)	180
Preselectare turație	întă (5-6)

Material/zonă de lucru	Plăci aglomerate
Șlefuire grosieră (granulație)	60
Șlefuire fină (granulație)	150
Preselectare turație	întă (5-6)

Material/zonă de lucru	Îndepărtarea vopselelor/lacurilor
Șlefuire grosieră (granulație)	60
Șlefuire fină (granulație)	--
Preselectare turație	întă (5-6)

Material/zonă de lucru	Șlefuirea lacurilor
Șlefuire grosieră (granulație)	150
Șlefuire fină (granulație)	320
Preselectare turație	scăzută (1-2)

Material/zonă de lucru	Curățarea oțelului de rugină
Șlefuire grosieră (granulație)	40
Șlefuire fină (granulație)	120
Preselectare turație	medie/întă (3-4)

Material/zonă de lucru	Materiale plastice
Șlefuire grosieră (granulație)	120
Șlefuire fină (granulație)	240
Preselectare turație	scăzută/medie (2-3)

Material/zonă de lucru	Metale neferoase (de exemplu, aluminiu)
Șlefuire grosieră (granulație)	80
Șlefuire fină (granulație)	150
Preselectare turație	medie/întă (3-4)

## Lucrul staționar

- ◆ Aduceți mânerul suplimentar **2** în poziție orizontală.
- ◆ Întoarceți scula electrică așa cum este indicat în fig. A și așezați-o pe o placă de lucru stabilă.
- ◆ Așezați două menghine de mână **14** în decupajele **8** prevăzute în acest sens și fixați scula electrică.

## Sugestii și idei

- Nu prelucrați niciodată lemnul și metalul cu aceeași bandă de șlefuit 13.
- Benzile de șlefuit uzate sau fisurate pot deteriora piesa de prelucrat. Din acest motiv, înlocuiți la timp benzile de șlefuit.
- Depozitați benzile de șlefuit numai în poziție suspendată, deoarece îndoiturile etc. le fac inutilizabile.

## Întreținerea și curățarea



**AVERTIZARE! PERICOL DE RĂNIRE!**  
Înainte tuturor lucrărilor la aparat opriți aparatul și scoateți ștecărul din priză.

Mașina de șlefuit cu bandă nu necesită întreținere.

- Curățați aparatul imediat după terminarea lucrului.
- Pentru curățarea aparatului utilizați o lavetă uscată și în niciun caz benzină, solvenți sau agenți de curățare care atacă materialul plastic.

### Golirea/curățarea cutiei de colectare a prafului 11:

- ◆ Scoateți cutia de colectare a prafului 11 de la aparat.
- ◆ Goliți complet cutia de colectare a prafului 11 prin batere și introduceți din nou cutia de colectare a prafului 11 în aparat.
- ◆ Mențineți întotdeauna libere orificiile de aerisire.
- ◆ Îndepărtați cu o pensulă praful de șlefuire aderent.

## Eliminarea



Ambalajul este format din materiale ecologice pe care le puteți elimina prin intermediul centrelor locale de reciclare.



**Nu aruncați sculele electrice în gunoii menajeri!**

Conform Directivei europene 2012/19/EU, sculele electrice uzate trebuie colectate separat și eliminate la puncte de colectare pentru reciclare ecologică.

Informații despre posibilitățile de eliminare a aparatului uzat pot fi obținute de la administrația locală.

## **Garanția Kompennass Handels GmbH**

Stimate client,

Pentru acest aparat se acordă o garanție de 3 ani de la data cumpărării. În cazul în care produsul prezintă defecte, beneficiați de drepturi legale față de vânzătorul produsului. Aceste drepturi legale nu sunt limitate prin garanția noastră prezentată în cele ce urmează.

### **Condiții de garanție**

Perioada de garanție începe de la data cumpărării. Păstrați cu grijă bonul fiscal original. Acesta este necesar pentru a dovedi cumpărarea.

Dacă în decurs de trei ani de la data cumpărării acestui produs apare un defect de material sau de fabricație, produsul va fi reparat sau înlocuit de către noi – la alegerea noastră – în mod gratuit. Garanția presupune ca în timpul perioadei de trei ani să se prezinte aparatul defect și dovada cumpărării (bonul fiscal), precum și o scurtă descriere în scris, în care să se specifice în ce constă defectul și când a apărut acesta.

Dacă defectul este acoperit de garanția noastră, veți primi înapoi produsul reparat sau unul nou. Odată cu reparația sau înlocuirea produsului nu începe o nouă perioadă de garanție.

### **Perioada de garanție și pretențiile legale privind defectele**

Perioada de garanție nu este prelungită după efectuarea reparațiilor realizate în perioada de garanție. Acest lucru este valabil și pentru piesele înlocuite și reparate.

Eventualele deteriorări și deficiențe prezente deja la cumpărare trebuie semnalate imediat după dezambalarea produsului. Reparațiile necesare după expirarea perioadei de garanție se efectuează contra cost.

### **Domeniul de aplicare a garanției**

Aparatul a fost produs cu grijă, în conformitate cu orientările stricte privind calitatea și verificat cu rigurozitate înaintea livrării.

Garanția se acordă în caz de defecte de material sau de fabricație. Această garanție nu se extinde asupra componentelor produsului care sunt expuse uzurii normale și care, prin urmare, pot fi considerate piese de uzură sau asupra deteriorărilor apărute la componentele fragile, de exemplu comutatoare, acumulatori, forme de copt sau componente realizate din sticlă.

Această garanție se pierde în cazul în care produsul a fost deteriorat, a fost utilizat sau întreținut în mod necorespunzător. Pentru utilizarea corespunzătoare a produsului trebuie respectate cu strictețe toate indicațiile prezentate în instrucțiunile de utilizare. Trebuie evitate în mod obligatoriu utilizările și acțiunile nerecomandate sau care fac obiectul unor avertizări în cadrul instrucțiunilor de utilizare.

Aparatul este destinat numai uzului privat și nu utilizărilor comerciale. În cazul manevrării abuzive sau necorespunzătoare, al uzului de forță și al intervențiilor care nu au fost realizate de către filiala noastră autorizată de service, garanția își pierde valabilitatea.

## Procedura de acordare a garanției

Pentru a se asigura prelucrarea rapidă a solicitării dvs., urmați instrucțiunile de mai jos:

- Pentru toate solicitările păstrați la îndemână bonul fiscal și numărul articolului (de exemplu IAN 12345) ca dovadă a cumpărării.
- Numărul articolului poate fi consultat pe plăcuța de caracteristici, pe o gravură, pe coperta instrucțiunilor (în partea stângă, jos) sau pe autocolantul de pe partea din spate sau de jos.
- În cazul în care apar defecte funcționale sau alte defecțiuni, contactați mai întâi **telefonic** sau **prin e-mail** departamentul de service menționat în continuare.
- Apoi puteți expedia produsul înregistrat ca fiind defect la adresa de service care v-a fost comunicată, fără a plăti taxe poștale, anexând dovada cumpărării (bonul fiscal) și indicând în ce constă defectul și când a apărut acesta.



Acest manual, precum și multe altele, videoclipuri cu produsele și software-uri pot fi descărcate de pe [www.lidl-service.com](http://www.lidl-service.com).

## Service-ul

### ⚠️ AVERTIZARE!

- Dispuneți efectuarea lucrărilor de reparație a aparatelor numai la centrele de service sau de către electricieni specialiști și numai cu piese de schimb originale. Astfel se asigură menținerea siguranței aparatului.

### ⚠️ AVERTIZARE!

- Solicitați întotdeauna producătorului aparatului sau serviciului clienți al acestuia înlocuirea ștecărului sau a cablului de alimentare. Astfel se asigură menținerea siguranței aparatului.

### INDICAȚIE

- ▶ Piesele de schimb nelistate (de exemplu perii de carbon, comutatoare, cutii de colectare a prafului) pot fi comandate prin intermediul liniei noastre telefonice.

### RO Service România

Tel.: 0800896637

E-Mail: [kompnass@lidl.ro](mailto:kompnass@lidl.ro)

IAN 285794

## Importator

Vă rugăm să aveți în vedere faptul că următoarea adresă nu reprezintă o adresă pentru service. Contactați mai întâi centrul de service indicat.

KOMPERNASS HANDELS GMBH

BURGSTRASSE 21

DE-44867 BOCHUM

GERMANIA

[www.kompnass.com](http://www.kompnass.com)

## Traducerea declarației de conformitate originale

Firma KOMPERNASS HANDELS GMBH, responsabil cu documentația: dl Semi Uguzlu, BURGSTR. 21, DE 44867 BOCHUM, GERMANIA, declară prin prezenta că acest produs corespunde următoarelor norme, documente normative și directive CE:

**Directiva privind echipamentele tehnice  
(2006/42/EC)**

**Directiva privind compatibilitatea electromagnetică  
(2014/30/EU)**

**Directiva RoHS privind restricțiile de utilizare a anumitor substanțe periculoase în  
echipamentele electrice și electronice  
(2011/65/EU)\***

\*Responsabilitatea privind redactarea prezentei declarații de conformitate revine exclusiv producătorului. Obiectul declarației descris anterior corespunde prevederilor Directivei 2011/65/EU a Parlamentului European și a Consiliului din 8 iunie 2011 privind restricțiile de utilizare a anumitor substanțe periculoase în echipamentele electrice și electronice.

### Norme armonizate aplicate:

EN 60745-1:2009/A11:2010

EN 60745-2-4:2009/A11:2011

EN 55014-1:2006/A2:2011

EN 55014-2:2015

EN 61000-3-2:2014

EN 61000-3-3:2013

### Denumirea tipului mașinii:

Mașină de șlefuit cu bandă PBSD 600 A1

### Anul de fabricație: 03-2017

### Număr de serie: IAN 285794

Bochum, 13.03.2017



Semi Uguzlu

- Manager calitate -

Ne rezervăm dreptul asupra modificărilor tehnice în scopul dezvoltării ulterioare.

# Съдържание

<b>Въведение</b> .....	<b>38</b>
Употреба по предназначение .....	38
Показани на фигурата компоненти .....	38
Окомплектовка на доставката .....	38
Технически характеристики .....	38
<b>Общи указания за безопасност за електрически инструменти</b> .....	<b>39</b>
1. Безопасност на работното място .....	39
2. Електрическа безопасност .....	39
3. Безопасност на хората .....	40
4. Употреба и обслужване на електрическия инструмент .....	40
5. Сервиз .....	41
Указания за безопасност, специфични за шлифовъчни машини .....	41
<b>Пускане в експлоатация</b> .....	<b>42</b>
Затягане/Смяна на шлифовъчната лента .....	42
Нагласяване на допълнителната ръкохватка .....	42
Отваряне на предната капачка нагоре .....	42
Поставяне/Отстраняване на устройството за изсмукване на прах .....	42
Указания за работа .....	43
<b>Работа с уреда</b> .....	<b>44</b>
Включване и изключване .....	44
Изпразване на кутията за прах .....	44
Избиране на честота на въртене и шлифовъчна лента .....	44
Стационарна работа .....	45
Съвети и трикове .....	45
<b>Техническо обслужване и почистване</b> .....	<b>46</b>
<b>Предаване за отпадъци</b> .....	<b>46</b>
<b>Гаранция</b> .....	<b>46</b>
<b>Сервиз</b> .....	<b>48</b>
<b>Вносител</b> .....	<b>48</b>
<b>Превод на оригиналната декларация за съответствие</b> .....	<b>50</b>



# ЛЕНТОВА ШЛИЙФ PBSD 600 A1

## Въведение

Поздравяваме ви за покупката на вашия нов уред. Избрали сте висококачествен продукт. Ръководството за потребителя е част от този продукт. То съдържа важни указания относно безопасността, употребата и предаването за отпадъци. Преди да използвате продукта, се запознайте с всички указания за обслужване и безопасност. Използвайте продукта единствено според описанието и за указаните области на приложение. Предавайте продукта на трети лица заедно с цялата документация.

## Употреба по предназначение

Лентовата шлифовъчна машина е разработена за сухо шлифование – в зависимост от шкурката – на дървени, пластмасови, метални, китосани, както и лакирани повърхности. Машината трябва да се използва само за сухо шлифование.

Моля вземете под внимание, че за обработката на различните материали трябва да използвате подходящи шлифовъчни ленти с различна зърнестост, както и да регулирате оборотите според материала. Уредът не е предназначен за професионална употреба. Всяка друга употреба или промяна на машината се счита за нецелесъобразна и крие значителни опасности от злополука. За повреди вследствие на употреба, която не отговаря на предназначението, производителят не поема отговорност.

## Показани на фигурата компоненти



- 1 Превключвател за включване/изключване
- 2 Допълнителна ръкохватка (гумирана повърхност за хващане)
- 3 Предна капачка
- 4 Затегателна ръчка за шлифовъчната лента
- 5 Регулатор на скоростта на лентата
- 6 Ръкохватка (гумирана повърхност за хващане)
- 7 Винт за нагласяване на ръкохватката
- 8 Отвори за винтова стяга
- 9 Връзка за кутията за прах
- 10 Бутон за фиксиране на превключвателя за включване/изключване
- 11 Кутия за прах

- 12 Регулиращ винт за движението на лентата
- 13 Шлифовъчна лента
- 14 Винтова стяга
- 15 Преходна муфа
- 16 Адаптер за изсмукващо устройство

## Окомплектовка на доставката

- 1 Лентова шлайф PBSD 600 A1
- 1 шлифовъчна лента за дърво (зърнестост 80)
- 1 кутия за прах
- 1 адаптер за изсмукващо устройство и преходна муфа (за външно изсмукване на праха)
- 2 винтови стяги
- 1 ръководство за потребителя

## Технически характеристики

Номинално напрежение:	230 V ~ 50 Hz (променлив ток)
Номинална консумация:	600 W
Скорост на лентата на празен ход:	170 – 250 m/min
Номинални обороти на празен ход:	 n <sub>0</sub> 360 – 560 min <sup>-1</sup>
Шлифовъчна лента:	75 x 457 mm
Клас на защита:	II /  (двойна изолация)

## Стойност на шумовите емисии:

Измерена стойност за шум съгласно EN 60745. Измереното по скала „A“ ниво на шума на електрическия инструмент обикновено възлиза на:

Ниво на звуковото  
налягане:  $L_{PA} = 91 \text{ dB (A)}$

Възможна неточност  
на измерването:  $K_{PA} = 3 \text{ dB}$

Ниво на звуковата  
мощност:  $L_{WA} = 102 \text{ dB (A)}$

Възможна неточност  
на измерването:  $K_{WA} = 3 \text{ dB}$

## Носете антифони!

## Сумарна стойност на вибрациите:

Сумарни стойности на вибрациите (векторна сума от трите посоки), определени съгласно EN 60745:

Шлифоване с шлифовъчен диск:  $a_h = 4,2 \text{ m/s}^2$

Възможна неточност на измерването  $K = 1,5 \text{ m/s}^2$

### УКАЗАНИЕ

- Посоченото в тези указания ниво на вибрациите е измерено съгласно нормиран в EN 60745 метод на измерване и може да се използва за сравняване на уреди. Посочената стойност на вибрационните емисии може да се използва и за начална оценка на експозицията. Стойността на вибрационните емисии се променя според употребата на електрическия инструмент и в някои случаи може да е над посочената в тези указания стойност. Вибрационното натоварване може да бъде подценено, ако електрическият инструмент се използва редовно по този начин.

### ⚠ ПРЕДУПРЕЖДЕНИЕ!

- Постарайте се да поддържате вибрационното натоварване максимално ниско. Примерни мерки за намаляване на вибрационното натоварване са носене на ръкавици при употреба на инструмента и ограничаване на работното време. При това трябва да се вземат предвид всички части на работния цикъл (например периодите, през които електрическият инструмент е изключен, както и периодите, през които инструментът е включен, но работи без натоварване).



## Общи указания за безопасност за електрически инструменти



### ⚠ ПРЕДУПРЕЖДЕНИЕ!

- Прочетете всички указания за безопасност и инструкции. Пропуски при спазването на указанията за безопасност и инструкциите могат да причинят токов удар, пожар и/или тежки наранявания.

Запазете всички указания за безопасност и инструкции за бъдещи справки.

Използваният в указанията за безопасност термин „електрически инструмент“ се отнася за работещи със захранване от мрежата електрически инструменти (със захранващ кабел) и за работещи с акумулаторни батерии електрически инструменти (без захранващ кабел).

### 1. Безопасност на работното място

- Поддържайте работното си място чисто и добре осветено. Безпорядък и неосветени работни места могат да причинят злополуки.
- Не работете с електрическия инструмент в потенциално експлозивна среда с наличие на запалими течности, газове или прахове. Електрическите инструменти образуват искри, които могат да запалят праха или парите.
- По време на употреба на електрическия инструмент дръжте на разстояние деца и други лица. При отвлечане на вниманието е възможно да загубите контрол над уреда.

### 2. Електрическа безопасност

- Свързващият щепсел на електрическия инструмент трябва да е подходящ за контакта. Щепселът не трябва да се променя по никакъв начин.  
Не използвайте преходни щепсели заедно със защитно заземените електрически инструменти. Щепсели, по които не са правени промени, и подходящи електрически контакти намаляват риска от токов удар.

- б) Избягвайте контакт на тялото със заземени повърхности, като например тръби, радиатори, печки и хладилници. Съществува повишен риск от токов удар, когато тялото ви е заземено.
  - в) Пазете електрическите инструменти от дъжд и влага. Проникването на вода в електрически уред повишава риска от токов удар.
  - г) Не променяйте предназначението на кабела, например за носене или окачване на електрическия инструмент с него или за дърпане на щепсела от контакта. Пазете кабела от нагриване, масло, остри ръбове или движещи се части на уреда. Повредени или оплетени кабели увеличават риска от токов удар.
  - д) Когато работите на открито с електрически инструмент, използвайте само удължители, които са разрешени за ползване на открито. Употребата на годни за работа на открито удължители намалява риска от токов удар.
  - е) Когато работата с електрическия инструмент във влажна обстановка е неизбежна, използвайте прекъсвач с дефектнотокова защита. Използването на прекъсвач с дефектнотокова защита намалява риска от токов удар.
- в) Избягвайте неволно пускане. Уверете се, че електрическият инструмент е изключен, преди да го свържете към електрозахранването и/или акумулаторната батерия, да го вземете или носите. Когато при носене на електрическия инструмент държите пръста си на превключвателя или свържете вече включен уред към електрозахранването, са възможни злополуки.
  - г) Отстранявайте инструментите за настройка или гаечните ключове, преди да включите електрическия инструмент. Намиращ се във въртяща се част на уреда инструмент или ключ може да причини наранявания.
  - д) Избягвайте неестествено положение на тялото. Заемете стабилна позиция и винаги пазете равновесие. Така ще можете да контролирате по-добре електрическия инструмент в неочаквани ситуации.
  - е) Носете подходящо работно облекло. Не носете широки дрехи или бижута. Дръжте косите, облеклото и ръкавиците си далеч от движещи се части. Свободните дрехи, бижутата и дългите коси могат да бъдат захванати от движещи се части.
  - ж) Ако е възможно монтиране на прахосмукачки и прахоуловители, се уверете, че са свързани и се използват правилно. Използването на устройство за изсмукване на прах може да намали опасностите поради наличие на прах.

### **3. Безопасност на хората**

- а) Винаги бъдете внимателни, съсредоточете се върху това, което извършвате, и подхождайте разумно към работата с електрически инструменти. Не използвайте електрически инструмент, когато сте уморени или сте под въздействието на наркотици, алкохол или медикаменти. Един момент невнимание при работа с електрическия инструмент може да доведе до сериозни наранявания.
- б) Използвайте лични предпазни средства и винаги носете защитни очила. Използването на лични предпазни средства като прахозащитна маска, устойчиви на плъзгане защитни обувки, каска или антифони – в зависимост от вида и приложението на електрическия инструмент – намалява риска от наранявания.

### **4. Употреба и обслужване на електрическия инструмент**


- а) Не претоварвайте уреда. За работата си използвайте предназначения за нея електрически инструмент. С подходящия електрически инструмент ще работите по-добре и по-безопасно в посочения работен диапазон.
- б) Не използвайте електрически инструмент с повреден превключвател. Електрически инструмент, който не може да се включва и изключва, е опасен и трябва да се ремонтира.

- в) Изключете щепсела от контакта и/или отстранете акумулаторната батерия, преди да предприемете настройки на уреда, да смените принадлежности или да оставите уреда. Тази предпазна мярка предотвратява неволно пускане на електрическия инструмент.
- г) Когато не използвате електрическите инструменти, ги съхранявайте извън обсега на деца. Не позволявайте използването на уреда от лица, които не са запознати с него или не са прочели тези указания. Електрическите инструменти са опасни, ако се използват от лица без опит.
- д) Поддържайте старателно електрическите инструменти. Проверявайте дали движещите се части функционират правилно и не се заклинват, дали има счупени части или части, които са повредени така, че съществува опасност за функционирането на електрическия инструмент. Преди използване на уреда повредените части трябва да се ремонтират. Причина за много злополуки е лоша поддръжка на електрическите инструменти.
- е) Поддържайте режещите инструменти остри и чисти. Старателно поддържаните режещи инструменти с остри режещи ръбове се заклинват по-рядко и се направляват по-лесно.
- ж) Използвайте електрическия инструмент, принадлежностите, работните инструменти и т.н. в съответствие с тези указания. Вземайте под внимание работните условия и извършваната дейност. Употребата на електрически инструменти за други, различни от предвидените приложения може да доведе до опасни ситуации.

## 5. Сервиз

- а) Електрическият инструмент трябва да се ремонтира само от квалифицирани специалисти и само с оригинални резервни части. С това се гарантира, че безопасността на електрическия инструмент ще бъде запазена.

## Указания за безопасност, специфични за шлифовъчни машини

- Дръжте уреда за изолираните повърхности на ръкохватката, тъй като шлифовъчната лента  може да влезе в контакт със собствения си захранващ кабел. Повреда на провеждащ напрежение проводник може да постави под напрежение металните части на уреда и да причини токов удар.

### ПРЕДУПРЕЖДЕНИЕ!

- Възможно е прахове от материали, като съдържаща олово боя, някои видове дървесина и метал, да са вредни за здравето.
- Съприкосновението с тези прахове или вдишването им може да представлява опасност за оператора или намиращите се в близост лица.
- Носете защитни очила и прахозащитна маска!

## Пускане в експлоатация

### Затягане/Смяна на шлифовъчната лента

#### **⚠ ПРЕДУПРЕЖДЕНИЕ! ОПАСНОСТ ОТ НАРАНЯВАНЕ**

■ Винаги изключвайте щепсела от контакта преди извършване на работи по лентовата шлифовъчна машина.

1. Освободете обтегача за шлифовъчната лента, като завъртите затегателната ръчка **4** изцяло навън. Шлифовъчната лента **13** може да се свали.
2. Поставете нова шлифовъчна лента **13** респ. сменете шлифовъчната лента, за да обработите друг материал или да смените зърнестостта.  
**ВАЖНО:** Посоките на стрелките от вътрешната страна на шлифовъчната лента **13** и корпуса на уреда трябва да съвпадат.
3. Натиснете затегателната ръчка **4** отново в изходна позиция.

#### Ръчна настройка на шлифовъчната лента **13**:

Ако след включване движението на лентата не се центрира, при необходимост трябва ръчно да регулирате движението на лентата.

- ◆ За целта въртете регулиращия винт **12** на предната ролка, докато шлифовъчната лента **13** започне да се движи центрирано.  
**ВАЖНО:** Непременно се уверете, че шлифовъчната лента **13** не се трие по корпуса. Периодично проверявайте движението на лентата и, когато е необходимо, го регулирайте допълнително с регулиращия винт **12**.

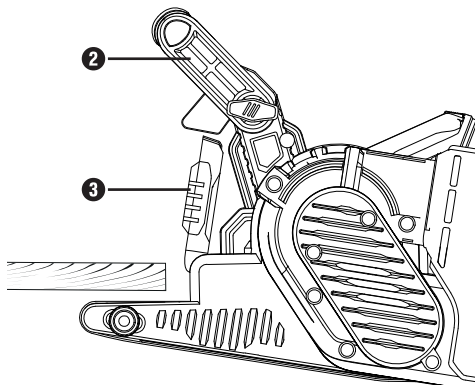
### Нагласяване на допълнителната ръкохватка

Можете да нагласите допълнителната ръкохватка **2** в няколко позиции.

- ◆ За нагласяване на допълнителната ръкохватка **2** развийте винта **7**.
- ◆ Поставете допълнителната ръкохватка **2** в желаната позиция.
- ◆ Затегнете отново винта **7**.

### Отваряне на предната капачка нагоре

За шлифоване на труднодостъпни места можете да отворите предната капачка **3** нагоре (вж. фигурата).



#### **⚠ ПРЕДУПРЕЖДЕНИЕ!**

- ▶ Предната капачка **3** може да се отвори нагоре само когато допълнителната ръкохватка **2** също е повдигната нагоре (вж. глава „Нагласяване на допълнителната ръкохватка“).

◆ Отворете предната капачка **3** нагоре.

### Поставяне/Отстраняване на устройството за изсмукване на прах

#### **⚠ ПРЕДУПРЕЖДЕНИЕ! ОПАСНОСТ ОТ ЕКСПЛОЗИЯ!!**

- При експлозивна смес от прах и въздух трябва да използвате специално изсмукващо устройство. **ОПАСНОСТ ОТ ПОЖАР ПОРАДИ ИСКРЕНЕ!** При шлифоване на метали не използвайте устройство за изсмукване на прах (кутия за прах **11** или прахосмучкача).
- Не обработвайте материали, съдържащи азбест. Азбестът се счита за канцерогенен.

**⚠ ПРЕДУПРЕЖДЕНИЕ! ОПАСНОСТ ОТ ПОЖАР!**

- При работа с електрически уреди, които са оборудвани с кутия за улавяне на прах или могат да се свързват с прахосмукачка посредством приспособление за изсмукване на прах, съществува опасност от пожар! При неблагоприятни условия, като напр. искрене - при шлифване на метал или остатъци от метал в дърво, е възможно самозапалване на дървения прах в кутията за улавяне на прах (или в торбичката за прах на прахосмукачката). Това е възможно особено когато дървеният прах е смесен с остатъци от лак или други химически вещества и шлифованият материал се нагорещи след продължителна обработка. Затова задължително избягвайте прегриване на шлифования материал или на уреда и преди почивки винаги изпразвайте кутията за улавяне на прах респ. торбичката за прах на прахосмукачката.
- Осигурете добра вентилация на работното място.
- Спазвайте действащите във вашата страна разпоредби за обработваните материали.



■ Носете прахозащитна маска.

**Поставяне на кутията за прах 11:**

- ◆ Поставете кутията за прах 11 отгоре на връзката 9 за кутията за прах.

**Демонтаж/Сваляне на кутията за прах:**

- ◆ Издърпайте кутията за прах 11 в посока нагоре.

**Свързване на адаптера за изсмукващо устройство и преходната муфа за външно изсмукващо устройство:**

- ◆ Поставете адаптера за изсмукващо устройство 16 на връзката 9.
- ◆ Поставете преходната муфа 15 за външно изсмукващо устройство в адаптера за изсмукващо устройство 16.

- ◆ Вкарайте маркуча на разрешено за употреба приспособление за изсмукване на прах (напр. сервизна прахосмукачка) в преходната муфа 15 за външно изсмукващо устройство.

**Сваляне на адаптера за изсмукващо устройство и преходната муфа за външно изсмукващо устройство:**

- ◆ Издърпайте маркуча на приспособлението за изсмукване на прах.
- ◆ Издърпайте преходната муфа 15 за външно изсмукващо устройство.
- ◆ Издърпайте адаптера за изсмукващо устройство 16 от връзката 9 в посока нагоре.

**Указания за работа**

**Достатъчен е слаб натиск за шлифване:**

- Работете със слаб натиск за шлифване. Собственото тепло на лентовата шлифовъчна машина е достатъчно за добри резултати от шлифването. С този начин на работа допълнително намалявате износването на шлифовъчната лента 13 и повърхността на детайла се заглажда по-добре.

**Отнемане и повърхност:**

- Производителността на отнемане и качеството на повърхността се определят от скоростта на лентата и зърнестостта на шлифовъчната лента 13 (вж. също раздел „Избиране на честота на въртене и шлифовъчна лента“).

**Процес на шлифване:**

- Поставете включения уред върху детайла и работете, като го придвижвате умерено напред. Извършвайте процеса на шлифване успоредно и с припокриване на шлифовъчните линии. За да избегнете нежелани, напречни следи от шлифването, шлифвайте само по посока на влакната. След обработката вдигнете уреда от детайла и едва тогава го изключете.

**УКАЗАНИЕ**

- ▶ По време на работа дръжте уреда винаги здраво с двете ръце.

## Работа с уреда

### Включване и изключване

При употреба на лентовата шлифовъчна машина можете да избирате между импулсен и непрекъснат режим на работа.

Включване на импулсен режим на работа:

- ◆ Натиснете превключвателя за включване/изключване **1**.

Изключване на импулсен режим на работа:

- ◆ Отпуснете превключвателя за включване/изключване **1**.

Включване на непрекъснат режим на работа:

- ◆ Натиснете превключвателя за включване/изключване **1**, задръжте го натиснат и натиснете бутона за фиксиране **10**.

Изключване на непрекъснат режим на работа:

- ◆ Натиснете бутона за включване/изключване **1** и го отпуснете.

### Изпразване на кутията за прах

По време на работа кутията за прах **11** трябва да се изпразва на всеки 10 минути.

- ◆ Издърпайте кутията за прах **11** (вж. глава „Поставяне/Отстраняване на устройството за изсмукване на прах“)
- ◆ За да изпразните кутията за прах **11**, я изтръскайте над кофа за отпадъци.
- ◆ Поставете отново кутията за прах **11** на уреда.

## Избиране на честота на въртене и шлифовъчна лента

С регулатора на скоростта на лентата **5** можете да изберете оборотите дори при работещ уред. Оптималната скорост на лентата зависи от обработвания детайл респ. материал. Винаги определяйте сами от практически опит съответно най-подходящите обороти. В таблицата по-долу са посочени незадължителни стойности, които ще ви улеснят при определянето.

Материал/Работен диапазон	Мека дървесина
Грубо шлифоване (зърнестост)	60
Фино шлифоване (зърнестост)	240
Настройка на оборотите	високи (5-6)

Материал/Работен диапазон	Твърда дървесина
Грубо шлифоване (зърнестост)	60
Фино шлифоване (зърнестост)	180
Настройка на оборотите	високи (5-6)

Материал/Работен диапазон	Плочи от дървесни частици
Грубо шлифоване (зърнестост)	60
Фино шлифоване (зърнестост)	150
Настройка на оборотите	високи (5-6)

Материал/Работен диапазон	Отстраняване на бои/лакове
Грубо шлифоване (зърнестост)	60
Фино шлифоване (зърнестост)	--
Настройка на оборотите	високи (5-6)

Материал/Работен диапазон	Прешлифоване на лакове
Грубо шлифоване (зърнестост)	150
Фино шлифоване (зърнестост)	320
Настройка на оборотите	ниски (1-2)

Материал/Работен диапазон	Сваляне на ръжда от стомана
Грубо шлифоване (зърнестост)	40
Фино шлифоване (зърнестост)	120
Настройка на оборотите	средни/високи (3-4)

Материал/Работен диапазон	Пластмаси
Грубо шлифоване (зърнестост)	120
Фино шлифоване (зърнестост)	240
Настройка на оборотите	ниски/средни (2-3)

Материал/Работен диапазон	Цветни метали (напр. алуминий)
Грубо шлифоване (зърнестост)	80
Фино шлифоване (зърнестост)	150
Настройка на оборотите	средни/високи (3-4)

## Стационарна работа

- ◆ Поставете допълнителната ръкохватка **2** в хоризонтална позиция.
- ◆ Завъртете електрическия инструмент, както е показано на фигура А, и го поставете върху стабилен работен плот.
- ◆ Поставете две винтови стяги **14** в предвидените за тях отвори **8** и затегнете електрическия инструмент.

## Съвети и трикове

- Никога не обработвайте с една и съща шлифовъчна лента **13** дърво и метал.
- Износени или скъсани шлифовъчни ленти могат да повредят детайла. Затова своевременно сменяйте шлифовъчните ленти.
- Съхранявайте шлифовъчните ленти само във висящо положение, тъй като при пречупване могат да станат неизползваеми.



## Техническо обслужване и почистване



**ПРЕДУПРЕЖДЕНИЕ! ОПАСНОСТ ОТ НАРАНЯВАНЕ!** Преди всякакви работи по уреда изключвайте уреда и издърпвайте щепсела от контакта.

Лентовата шлифовъчна машина не се нуждае от техническа поддръжка.

- Почиствайте уреда непосредствено след приключване на работата.
- За почистване на уреда използвайте суха кърпа и в никакъв случай бензин, разтворители или почистващи препарати, разяждащи пластмасата.

### Изпразване/Почистване на кутията за прах ①:

- ◆ Свалете кутията за прах ① от уреда.
- ◆ Изпразнете напълно кутията за прах ① чрез изтупване и поставете отново кутията за прах ① на уреда.
- ◆ Винаги поддържайте вентилационните отвори свободни.
- ◆ Отстранете полепналия шлифовъчен прах с четка.

## Предаване за отпадъци



Опаковката е произведена от екологични материали, които могат да се предават в местните пунктове за рециклиране.



**Не изхвърляйте електрически инструменти заедно с битовите отпадъци!**

Съгласно европейската директива 2012/19/EU излезлите от употреба електрически инструменти трябва да се събират отделно и да се предават за екологосъобразно рециклиране.

Информация относно предаването за отпадъци на излезлия от употреба уред можете да получите от вашата общинска или градска управа.

## Гаранция

Уважаеми клиенти,

за този уред получавате 3 години гаранция от датата на покупката. В случай на несъответствие на продукта с договора за продажба Вие имате законно право да предявите рекламация пред продавача на продукта при условията и в сроковете, определени в чл.112-115\* от Закона за защита на потребителите. Вашите права, произтичащи от посочените разпоредби, не се ограничават от нашата по-долу представена търговска гаранция и независимо от нея продавачът на продукта отговаря за липсата на съответствие на потребителската стока с договора за продажба съгласно Закона за защита на потребителите.

### Гаранционни условия

Гаранционният срок започва да тече от датата на покупката. Пазете добре

оригиналната касова бележка. Този документ е необходим като доказателство за покупката. Ако в рамките на три години от датата на закупуване на този продукт се появи дефект на материала или производствен дефект, продуктът ще бъде безплатно ремонтиран или заменен – по наш избор. Гаранцията предполага в рамките на тригодишния гаранционен срок да се представят дефектният уред и касовата бележка (касовият бон) и писмено да се обясни в какво се състои дефектът и кога е възникнал. Ако дефектът е покрит от нашата гаранция, Вие ще получите обратно ремонтирания или нов продукт. С ремонта или смяната на продукта не започва да тече нов гаранционен срок.

Гаранционен срок и законови претенции при дефекти

Гаранционната услуга не удължава гаранционния срок. Това важи също и за сменените и ремонтирани части. За евентуално наличните повреди и дефекти още при покупката трябва да се съобщи веднага след разопаковането. Евентуалните ремонти след изтичане на гаранционния срок са срещу заплащане.

## Обхват на гаранцията

Уредът е произведен грижливо според строгите изисквания за качество и добросъвестно изпитан преди доставката. Гаранцията важи за дефекти на материала или производствени дефекти. Гаранцията не обхваща частите на продукта, които подлежат на нормално износване, поради което могат да бъдат разглеждани като бързо износващи се части (например филтри или приставки) или повредите на чупливи части (например прекъсвачи, батерии или такива произведени от стъкло). Гаранцията отпада, ако уредът е повреден поради неправилно използване или в резултат на неосъществяване на техническа поддръжка. За правилната употреба на продукта трябва точно да се спазват всички указания в упътването за обслужване.

Предназначение и действия, които не се препоръчват от упътването за експлоатация или за които то предупреждава, трябва задължително да се избягват. Продуктът е предназначен само за частна, а не за стопанска употреба. При злоупотреба и неправилно третиране, употреба на сила и при интервенции, които не са извършени от клона на нашия оторизиран сервиз, гаранцията отпада.

## Процедура при гаранционен случай

За да се гарантира бърза обработка на Вашия случай, следвайте следните указания:

- За всички запитвания подгответе касовата бележка и идентификационния номер (IAN 285794) като доказателство за покупката.
- Вземете артикулния номер от фабричната табелка.
- При възникване на функционални или други дефекти първо се свържете по телефона или чрез имейл с долупосочения сервизен отдел. След това ще получите допълнителна информация за уреждането на Вашата рекламация.

- След съгласуване с нашия сервиз можете да изпратите дефектния продукт на посочения Ви адрес на сервиза безплатно за Вас, като приложите касовата бележка (касовия бон) и посочите в какво се състои дефектът и кога е възникнал. За да се избегнат проблеми с приемането и допълнителни разходи, задължително използвайте само адреса, който Ви е посочен. Осигурете изпращането да не е като експресен товар или като друг специален товар. Изпратете уреда заедно с всички принадлежности, доставени при покупката, и осигурете достатъчно сигурна транспортна опаковка.

Ремонтен сервиз / извънгаранционно обслужване

Ремонти извън гаранцията можете да възложите на клона на нашия сервиз срещу заплащане. Той с удоволствие ще Ви направи предварителна калкулация. Можем да обработваме само уреди, които са достатъчно опаковани и изпратени с платени транспортни разходи.

**Внимание:** Изпратете Вашия уред на клона на нашия сервиз почистен и с указание за дефекта. Уредите, изпратени с неплатени транспортни разходи – с наложен платеж, като експресен или друг специален товар – не се приемат.

Ние ще извършим безплатно изхвърлянето на изпратените от Вас дефектни уреди.

## Сервиз

### **⚠ ПРЕДУПРЕЖДЕНИЕ!**

- Уредите трябва да се ремонтират от сервиз или електротехник и само с оригинални резервни части. По този начин се гарантира запазването на безопасността на уреда.

### **⚠ ПРЕДУПРЕЖДЕНИЕ!**

- Смяната на щепсела или на хранващия кабел винаги трябва да се извършва от производителя на уреда или неговия сервиз. По този начин се гарантира запазването на безопасността на уреда.

### **УКАЗАНИЕ**

- ▶ Непосочени резервни части (напр. въгленови четки, превключвател, кутия за прах) можете да поръчате чрез нашия кол център.

**BG** България  
Тел.: 00800 111 4920  
Е-мейл: [kompemass@idl.bg](mailto:kompemass@idl.bg)

IAN 285794

## Вносител

Моля, обърнете внимание, че следващият адрес не е адрес на сервиза. Първо се свържете с горепосочения сервизен център.

KOMPERNASS HANDELS GMBH

BURGSTRASSE 21

DE-44867 BOCHUM

GERMANIA

[www.kompemass.com](http://www.kompemass.com)

### \* Чл. 112.

- (1) При несъответствие на потребителската стока с договора за продажба потребителята има право да предяви рекламация, като поиска от продавача да приведе стоката в съответствие с договора за продажба. В този случай потребителят може да избира между извършване на ремонт на стоката или замяната ѝ с нова, освен ако това е невъзможно или избраният от него начин за обезщетение е непропорционален в сравнение с другия.

- (2) Смята се, че даден начин за обезщетяване на потребителя е непропорционален, ако неговото използване налага разходи на продавача, които в сравнение с другия начин на обезщетяване са неразумни, като се вземат предвид:

1. стойността на потребителската стока, ако нямаше липса на несъответствие;
2. значимостта на несъответствието;
3. възможността да се предложи на потребителя друг начин на обезщетяване, който не е свързан със значителни неудобства за него.

### Чл. 113.

- (1) Когато потребителската стока не съответства на договора за продажба, продавачът е длъжен да я приведе в съответствие с договора за продажба.

- (2) Привеждането на потребителската стока в съответствие с договора за продажба трябва да се извърши в рамките на един месец, считано от предявяването на рекламацията от потребителя.

- (3) След изтичането на срока по ал. 2 потребителят има право да развали договора и да му бъде възстановена заплатената сума или да иска намаляване на цената на потребителската стока съгласно чл. 114.

- (4) Привеждането на потребителската стока в съответствие с договора за продажба е безплатно за потребителя. Той не дължи разходи за експедиране на потребителската стока или за материали и труд, свързани с ремонта ѝ, и не трябва да понася значителни неудобства.

- (5) Потребителят може да иска и обезщетение за претърпените вследствие на несъответствието вреди.

**Чл. 114.**

- (1) При несъответствие на потребителската стока с договора за продажба и когато потребителят не е удовлетворен от решаването на рекламацията по чл. 113, той има право на избор между една от следните възможности: 1. разваляне на договора и възстановяване на заплатената от него сума; 2. намаляване на цената.
- (2) Потребителят не може да претендира за възстановяване на заплатената сума или за намаляване цената на стоката, когато търговецът се съгласи да бъде извършена замяна на потребителската стока с нова или да се поправи стоката в рамките на един месец от предявяване на рекламацията от потребителя.
- (3) Търговецът е длъжен да удовлетвори искане за разваляне на договора и да възстанови заплатената от потребителя сума, когато след като е удовлетворил три рекламации на потребителя чрез извършване на ремонт на една и съща стока, в рамките на срока на гаранцията по чл. 115, е налице следваща поява на несъответствие на стоката с договора за продажба. (4) (Предишна ал. 3 - ДВ, бр. 61 от 2014 г., в сила от 25.07.2014 г.) Потребителят не може да претендира за разваляне на договора, ако несъответствието на потребителската стока с договора е незначително.

**Чл. 115.**

- (1) Потребителят може да упражни правото си по този раздел в срок до две години, считано от доставянето на потребителската стока.
- (2) Срокът по ал. 1 спира да тече през времето, необходимо за поправката или замяната на потребителската стока или за постигане на споразумение между продавача и потребителя за решаване на спора.
- (3) Упражняването на правото на потребителя по ал. 1 не е обвързано с никакъв друг срок за предявяване на иск, различен от срока по ал. 1.

## Превод на оригиналната декларация за съответствие

Ние, KOMPERNASS HANDELS GMBH, отговорник за документацията: г-н Семи Угузлу,  
BURGSTR. 21DE - 44867 BOCHUM, Германия, декларираме, че този продукт съответства на  
следните стандарти, нормативни документи и директиви на ЕО:

Директива относно машините  
(2006/42/EC)

Електромагнитна съвместимост  
(2014/30/EU)

Директива относно ограничението за употребата на определени опасни вещества в електрическото и електронното оборудване (EEO)  
(2011/65/EU)\*

\*Издаването на тази декларация за съответствие е на собствена отговорност на производителя.

Гореописаният предмет на Декларацията отговаря на разпоредбите на Директивата  
2011/65/EU на Европейския парламент и на Съвета от 8 юни 2011 г. относно ограничението за  
употребата на определени опасни вещества в електрическото и електронното оборудване.

Приложени хармонизирани стандарти:

EN 60745-1:2009/A11:2010

EN 60745-2-4:2009/A11:2011

EN 55014-1:2006/A2:2011

EN 55014-2:2015

EN 61000-3-2:2014

EN 61000-3-3:2013

Типово обозначение на машината:

Лентова шлайф PBSD 600 A1

Година на производство: 03-2017

Сериен номер: IAN 285794

Бохум, 13.03.2017 г.



Семи Угузлу

- Мениджър качество -

Запазено право на технически изменения с цел усъвършенстване.

# Περιεχόμενα

<b>Εισαγωγή</b> .....	<b>52</b>
Προβλεπόμενη χρήση .....	52
Απεικονιζόμενα στοιχεία .....	52
Παραδοτέος εξοπλισμός.....	52
Τεχνικά χαρακτηριστικά .....	52
<b>Γενικές υποδείξεις ασφαλείας για ηλεκτρικά εργαλεία</b> .....	<b>53</b>
1. Ασφάλεια στο χώρο εργασίας.....	53
2. Ηλεκτρική ασφάλεια.....	53
3. Ασφάλεια από μων .....	54
4. Χρήση και χειρισμός του ηλεκτρικού εργαλείου .....	54
5. Σέρβις .....	55
Συγκεκριμένες υποδείξεις ασφαλείας για λειαντήρες .....	55
<b>Θέση σε λειτουργία</b> .....	<b>56</b>
Σύσφιξη/Αλλαγή λειαντικού ιμάντα.....	56
Ρύθμιση πρόσθετης χειρολαβής .....	56
Ανασήκωμα μπροστινού καλύμματος .....	56
Τοποθέτηση/Απομάκρυνση διάταξης αναρρόφησης σκόνης .....	56
Υποδείξεις εργασίας .....	57
<b>Χειρισμός</b> .....	<b>58</b>
Ενεργοποίηση και απενεργοποίηση.....	58
Εκκένωση κουτιού σκόνης .....	58
Επιλογή αριθμού στροφών και λειαντικού ιμάντα .....	58
Σταθερή εργασία .....	59
Συμβουλές.....	59
<b>Συντήρηση και καθαρισμός</b> .....	<b>60</b>
<b>Απόρριψη</b> .....	<b>60</b>
<b>Εγγύηση της Kompernass Handels GmbH</b> .....	<b>60</b>
<b>Σέρβις</b> .....	<b>61</b>
<b>Εισαγωγέας</b> .....	<b>61</b>
<b>Μετάφραση της Πρωτότυπης Δήλωση συμμόρφωσης</b> .....	<b>62</b>

## **ΤΑΙΝΙΟΛΕΙΑΝΤΗΡΑΣ PBSD 600 A1**

### **Εισαγωγή**

Συγχαρητήρια για την αγορά της νέας σας συσκευής. Το προϊόν που αποκτήσατε είναι ένα προϊόν υψηλής ποιότητας. Οι οδηγίες χρήσης αποτελούν τμήμα αυτού του προϊόντος. Περιλαμβάνουν σημαντικές υποδείξεις για την ασφάλεια, τη χρήση και την απόρριψη. Πριν από τη χρήση του προϊόντος, εξοικειωθείτε με όλες τις υποδείξεις χειρισμού και ασφάλειας του προϊόντος. Χρησιμοποιείτε το προϊόν μόνο όπως περιγράφεται και για τους αναφερόμενους τομείς χρήσης. Παραδώστε όλα τα έγγραφα σε περίπτωση παράδοσης του προϊόντος σε τρίτους.

### **Προβλεπόμενη χρήση**

Ο ταινιολειαντήρας, ανάλογα με το γυαλόχαρτο, έχει κατασκευαστεί για στεγνή λείανση επιφανειών ξύλου, πλαστικού, μετάλλου και στόκου, καθώς και βαμμένων επιφανειών. Η συσκευή επιτρέπεται να χρησιμοποιείται μόνο για στεγνή λείανση. Για την επεξεργασία των διαφορετικών υλικών θα πρέπει να χρησιμοποιούνται αντίστοιχα γυαλόχαρτα με διαφορετική κόκκωση και, επίσης, να προσαρμόζονται και ο αριθμός στροφών στο υλικό. Η συσκευή δεν προορίζεται για επαγγελματική χρήση. Κάθε άλλη χρήση ή μετατροπή της μηχανής ισχύει ως μη σύμφωνη με τους κανονισμούς και κρύβει σημαντικό κινδύνους ατυχημάτων. Για βλάβες από χρήση μη σύμφωνη με τους κανονισμούς, ο κατασκευαστής δεν αναλαμβάνει καμία ευθύνη.

### **Απεικονιζόμενα στοιχεία**



- 1** Διακόπτης ON/OFF
- 2** Πρόσθετη χειρολαβή (λαστιχένια επιφάνεια λαβής)
- 3** Μπροστινό κάλυμμα
- 4** Μοχλός τάνυσης για τον λειαντικό ιμάντα
- 5** Τροχίσκος ρύθμισης ταχύτητας ιμάντα
- 6** Χειρολαβή (λαστιχένια επιφάνεια λαβής)
- 7** Βίδα ρύθμισης χειρολαβής
- 8** Εσοχές για τη μέγγενη
- 9** Σύνδεση κουτιού σκόνης
- 10** Πλήκτρο ασφάλισης διακόπτη ON/OFF
- 11** Κουτί σκόνης
- 12** Βίδα ρύθμισης για τη διαδρομή του ιμάντα

- 13** Λειαντικός ιμάντας
- 14** Μέγγενη
- 15** Εξάρτημα συστολής
- 16** Αντάπτορας αναρρόφησης

### **Παραδοτέος εξοπλισμός**

- 1 Ταινιολειαντήρας PBSD 600 A1
- 1 Λειαντικός ιμάντας για ξύλο (κόκκωση 80)
- 1 Κουτί σκόνης
- 1 Αντάπτορας αναρρόφησης και εξάρτημα συστολής (για εξωτερική αναρρόφηση της σκόνης)
- 2 Μέγγενες
- 1 Οδηγίες χρήσης

### **Τεχνικά χαρακτηριστικά**

Τάση μέτρησης:	230 V ~50 Hz (εναλλασσόμενο ρεύμα)
Κατανάλωση μέτρησης:	600 W
Ταχύτητα ταινίας στο ρελαντί:	170-250 m / min
Αριθμός στροφών ρελαντί μέτρησης:	 n <sub>0</sub> 360-560 min <sup>-1</sup>
Λειαντικός ιμάντας:	75 x 457 mm
Κατηγορία προστασίας:	II /  (διπλή μόνωση)

### **Τιμή εκπομπής θορύβου:**

Η τιμή μέτρησης θορύβου υπολογίστηκε σύμφωνα με το πρότυπο EN 60745. Η Α-σταθμισμένη στάθμη θορύβου του ηλεκτρικού εργαλείου παρουσιάζει συνήθως τα ακόλουθα στοιχεία:

Στάθμη ηχητικής πίεσης:	$L_{pA} = 91$ dB (A)
Αβεβαιότητα:	$K_{pA} = 3$ dB
Στάθμη ηχητικής ισχύος:	$L_{WA} = 102$ dB (A)
Αβεβαιότητα:	$K_{WA} = 3$ dB

### **Φοράτε προστασία για την ακοή!**

### **Συνολική τιμή κραδασμών:**

Οι ολικές τιμές κραδασμών (διανυσματικό άθροισμα τριών κατευθύνσεων) υπολογίστηκαν σύμφωνα με το πρότυπο EN 60745:

Λείανση με δίσκο λείανσης:  $a_h = 4,2$  m/s<sup>2</sup>  
 Συντελεστής αβεβαιότητας (K) = 1,5 m/s<sup>2</sup>

## ΥΠΟΔΕΙΞΗ

- Το αναφερόμενο σε αυτές τις οδηγίες επίπεδο κραδασμών έχει μετρηθεί σύμφωνα με μια τυποποιημένη στο EN 60745 διαδικασία μέτρησης και μπορεί να χρησιμοποιείται για τη σύγκριση συσκευών. Η αναφερόμενη τιμή εκπομπής κραδασμών μπορεί επίσης να χρησιμοποιείται για μια αρχική εκτίμηση της έκθεσης. Η τιμή εκπομπής κραδασμών θα αλλάζει σύμφωνα με τη χρήση του ηλεκτρικού εργαλείου και σε ορισμένες περιπτώσεις μπορεί να βρίσκεται πάνω από την αναφερόμενη σε αυτές τις οδηγίες τιμή. Το φορτίο κραδασμών θα μπορούσε να υποτιμηθεί, εάν το ηλεκτρικό εργαλείο χρησιμοποιείται τακτικά με αυτό τον τρόπο.

## ⚠ ΠΡΟΕΙΔΟΠΟΙΗΣΗ!

- Προσπαθείτε να διατηρείτε την επιβάρυνση λόγω δονήσεων σε όσο το δυνατόν χαμηλότερα επίπεδα. Παραδειγματικά μέτρα μείωσης της επιβάρυνσης λόγω δονήσεων είναι η χρήση γαντιών κατά τη χρήση του εργαλείου και ο περιορισμός του χρόνου εργασίας. Εδώ πρέπει να συνυπολογίζονται όλα τα μέρη του κύκλου εργασίας (παραδείγματος χάριν χρόνοι, κατά τους οποίους το ηλεκτρικό εργαλείο είναι απενεργοποιημένο, και χρόνοι, κατά τους οποίους είναι μεν ενεργοποιημένο, αλλά λειτουργεί χωρίς φορτίο).



## Γενικές υποδείξεις ασφαλείας για ηλεκτρικά εργαλεία



### ⚠ ΠΡΟΕΙΔΟΠΟΙΗΣΗ!

- Διαβάστε όλες τις υποδείξεις ασφαλείας και τις οδηγίες. Παραλείψεις κατά την τήρηση των υποδείξεων ασφαλείας και των οδηγιών μπορούν να προκαλέσουν ηλεκτροπληξία, πυρκαγιά και/ή σοβαρούς τραυματισμούς.

**Φυλάξτε όλες τις υποδείξεις ασφαλείας και τις οδηγίες για το μέλλον.**

Ο χρησιμοποιούμενος σε αυτές τις υποδείξεις ασφαλείας όρος «Ηλεκτρικό εργαλείο» αναφέρεται σε ηλεκτρικά εργαλεία (με καλώδιο) που λειτουργούν με ρεύμα και σε ηλεκτρικά εργαλεία (χωρίς καλώδιο) που λειτουργούν με συσσωρευτή.

## 1. Ασφάλεια στο χώρο εργασίας

- Διατηρείτε το χώρο εργασίας σας καθαρό και φροντίζετε για επαρκή φωτισμό. Η ακαταστασία και οι μη φωτισμένοι χώροι εργασίας μπορούν να οδηγήσουν σε ατυχήματα.
- Μην εργάζεστε με το ηλεκτρικό εργαλείο σε εκρηξίμα περιβάλλοντα με εύφλεκτα υγρά, αέρια ή σκόνη. Τα ηλεκτρικά εργαλεία δημιουργούν σπινθήρες, οι οποίοι μπορούν να προκαλέσουν ανάφλεξη στη σκόνη ή στους ατμούς.
- Κρατάτε τα παιδιά και άλλα άτομα μακριά κατά τη χρήση του ηλεκτρικού εργαλείου. Σε περίπτωση διάσπασης της προσοχής, μπορεί να χάσετε τον έλεγχο της συσκευής.

## 2. Ηλεκτρική ασφάλεια

- Το βύσμα σύνδεσης του ηλεκτρικού εργαλείου πρέπει να ταιριάζει στην πρίζα. Το βύσμα δεν επιτρέπεται να τροποποιηθεί με κανέναν τρόπο.  
Μη χρησιμοποιείτε βύσματα ανταπώρων μαζί με γειωμένα ηλεκτρικά εργαλεία. Τα βύσματα που δεν έχουν τροποποιηθεί και οι κατάλληλες πρίζες μειώνουν τον κίνδυνο ηλεκτροπληξίας.



- β) Αποφεύγετε τη σωματική επαφή με γειωμένες επιφάνειες, όπως σωληνες, θερμαντικά σώματα, εστίες και ψυγεία. Υπάρχει αυξημένος κίνδυνος λόγω ηλεκτροπληξίας όταν το σώμα σας είναι γειωμένο.
- γ) Κρατάτε τα ηλεκτρικά εργαλεία μακριά από βροχή ή υγρασία. Η διείσδυση νερού σε μια ηλεκτρική συσκευή αυξάνει τον κίνδυνο ηλεκτροπληξίας.
- δ) Μη χρησιμοποιείτε το καλώδιο άσκοπα, π.χ. για να μεταφέρετε το ηλεκτρικό εργαλείο, να το κρεμάσετε ή για να τραβήξετε το βύσμα από την πρίζα. Κρατάτε το καλώδιο μακριά από υψηλές θερμοκρασίες, λάδια, αιχμηρές άκρες ή κινούμενα τμήματα της συσκευής. Τα φθαρμένα ή μπερδεμένα καλώδια αυξάνουν τον κίνδυνο ηλεκτροπληξίας.
- ε) Όταν εργάζεστε με ένα ηλεκτρικό εργαλείο σε εξωτερικό χώρο, χρησιμοποιείτε αποκλειστικά εγκεκριμένα για εξωτερικούς χώρους καλώδια προέκτασης. Η χρήση κατάλληλου καλωδίου επέκτασης για εξωτερικό χώρο μειώνει τον κίνδυνο ηλεκτροπληξίας.
- στ) Εάν δεν μπορεί να αποφευχθεί η λειτουργία του ηλεκτρικού εργαλείου σε υγρό περιβάλλον, χρησιμοποιείτε διακόπτη ασφαλείας. Η χρήση διακόπτη ασφαλείας μειώνει τον κίνδυνο ηλεκτροπληξίας.

### 3. Ασφάλεια ατόμων

- α) Να είστε πάντα προσεκτικοί. Προσέχετε τι κάνετε και χρησιμοποιείτε τη λογική όταν εργάζεστε με ένα ηλεκτρικό εργαλείο. Μη χρησιμοποιείτε ηλεκτρικά εργαλεία εάν είστε κουρασμένοι ή υπό την επήρεια ναρκωτικών, αλκοόλ ή φαρμάκων. Ένα μόνο λεπτό απροσεξίας κατά τη χρήση του ηλεκτρικού εργαλείου αρκεί για να οδηγήσει σε σοβαρούς τραυματισμούς.
- β) Φοράτε ατομικό προστατευτικό εξοπλισμό και πάντα γυαλιά προστασίας. Όταν φοράτε ατομικό προστατευτικό εξοπλισμό, όπως μάσκα για τη σκόνη, αντιολισθητικά υποδήματα ασφαλείας, κράνος ή προστασία για την ακοή, ανάλογα με το είδος και τη χρήση του ηλεκτρικού εργαλείου, μειώνεται ο κίνδυνος τραυματισμών.
- γ) Αποφεύγετε τυχόν ακούσια έναρξη λειτουργίας. Βεβαιώνετε ότι το ηλεκτρικό εργαλείο έχει απενεργοποιηθεί, προτού το συνδέσετε στην τροφοδοσία ρεύματος και/ή το συσσωρευτή, το σηκώσετε ή το μεταφέρετε. Όταν μεταφέρετε το ηλεκτρικό εργαλείο και έχετε το δάχτυλο στο διακόπτη ή εάν έχετε συνδέσει την ήδη ενεργοποιημένη συσκευή στην παροχή ρεύματος, αυτό μπορεί να οδηγήσει σε ατυχήματα.
- δ) Απομακρύνετε εργαλεία ρύθμισης ή μηχανικά κλειδιά πριν ενεργοποιήσετε το ηλεκτρικό εργαλείο. Ένα εργαλείο ή κλειδί, το οποίο βρίσκεται σε ένα περιστρεφόμενο τμήμα της συσκευής, μπορεί να οδηγήσει σε τραυματισμούς.
- ε) Αποφεύγετε τυχόν μη φυσιολογικές στάσεις του σώματος. Φροντίζετε για μια ασφαλή στάση και διατηρείτε πάντα την ισορροπία. Έτσι, μπορείτε να ελέγχετε το ηλεκτρικό εργαλείο καλύτερα σε μη αναμενόμενες καταστάσεις.
- στ) Φοράτε κατάλληλο ρουχισμό. Μη φοράτε μακριά ρούχα ή κοσμήματα. Κρατάτε τα μαλλιά, τα ρούχα και τα γάντια μακριά από κινούμενα εξαρτήματα. Τα χαλαρά ρούχα, τα κοσμήματα ή τα μακριά μαλλιά μπορούν να πιαστούν από κινούμενα τμήματα.
- ζ) Εάν είναι δυνατή η τοποθέτηση διατάξεων αναρρόφησης και συλλογής σκόνης, διασφαλίστε ότι έχουν συνδεθεί και χρησιμοποιούνται σωστά. Η χρήση μιας διάταξης αναρρόφησης σκόνης μπορεί να μειώσει τους κινδύνους από τη σκόνη.

### 4. Χρήση και χειρισμός του ηλεκτρικού εργαλείου

- α) Μην καταπονείτε υπερβολικά τη συσκευή. Χρησιμοποιείτε για την εργασία σας το αντίστοιχο ηλεκτρικό εργαλείο. Με το κατάλληλο ηλεκτρικό εργαλείο εργάζεστε καλύτερα και ασφαλέστερα στο δοθέν πεδίο απόδοσης.
- β) Μη χρησιμοποιείτε ηλεκτρικά εργαλεία, των οποίων ο διακόπτης έχει υποστεί βλάβη. Ένα ηλεκτρικό εργαλείο, το οποίο δεν μπορεί πλέον να ενεργοποιηθεί ή απενεργοποιηθεί, είναι επικίνδυνο και πρέπει να επισκευαστεί.

- γ) Αποσυνδέετε το βύσμα από την πρίζα ή/και αφαιρείτε το συσσωρευτή πριν από τη διεξαγωγή ρυθμίσεων στη συσκευή, πριν από την αλλαγή αξεσουάρ ή πριν από την αποθήκευση της συσκευής. Αυτό το μέτρο ασφαλείας εμποδίζει τη μη ηθελημένη εκκίνηση του ηλεκτρικού εργαλείου.
- δ) Φυλάτε τα μη χρησιμοποιούμενα ηλεκτρικά εργαλεία εκτός εμβέλειας των παιδιών. Μην επιτρέπεται να χρησιμοποιούν τη συσκευή άτομα, τα οποία δεν έχουν εξοικειωθεί μαζί της ή δεν έχουν διαβάσει αυτές τις οδηγίες. Τα ηλεκτρικά εργαλεία είναι επικίνδυνα όταν χρησιμοποιούνται από άπειρα άτομα.
- ε) Φροντίζετε τα ηλεκτρικά εργαλεία με προσοχή. Ελέγχετε εάν τα κινούμενα τμήματα λειτουργούν σωστά και δεν κολλάνε, εάν κάποια μέρη έχουν σπάσει ή παρουσιάζουν τέτοια βλάβη, ώστε να επηρεάζεται η λειτουργία του ηλεκτρικού εργαλείου. Τα εξαρτήματα που έχουν υποστεί βλάβη πρέπει να επισκευάζονται πριν από τη χρήση της συσκευής. Η αιτία πολλών ατυχημάτων οφείλεται στην κακή συντήρηση των ηλεκτρικών εργαλείων.
- στ) Διατηρείτε τα εργαλεία κοπής αιχμηρά και καθαρά. Τα προσεκτικά φροντισμένα εργαλεία κοπής με αιχμηρές ακμές κοπής κολλάνε λιγότερο και είναι ευκολότερα στο χειρισμό.
- ζ) Χρησιμοποιείτε το ηλεκτρικό εργαλείο, τα αξεσουάρ, τα εργαλεία, κλπ., σύμφωνα με τις παρούσες οδηγίες. Λαμβάνετε υπόψη τις συνθήκες εργασίας και την προς διεξαγωγή ενέργεια. Η χρήση ηλεκτρικών εργαλείων για διαφορετικές από τις προβλεπόμενες χρήσεις μπορεί να οδηγήσει σε επικίνδυνες καταστάσεις.

## 5. Σέρβις

- α) Το ηλεκτρικό εργαλείο σας πρέπει να επισκευάζεται αποκλειστικά από εξειδικευμένο ειδικό προσωπικό και μόνο με γνήσια ανταλλακτικά. Κατά αυτόν τον τρόπο, διατηρείται η ασφάλεια του ηλεκτρικού εργαλείου.

## Συγκεκριμένες υποδείξεις ασφαλείας για λειαντήρες

- Πιάνετε τη συσκευή από τις μονωμένες επιφάνειες των λαβών, διότι ο λειαντικός ιμάντας **13** μπορεί να προσεγγίσει το ίδιο το καλώδιο δικτύου. Ζημιά σε ένα ρευματοφόρο αγωγό μπορεί να θέσει υπό τάση μεταλλικά τμήματα της συσκευής με συνέπεια να προκληθεί ηλεκτροπληξία.

### ΠΡΟΕΙΔΟΠΟΙΗΣΗ!

- Σκόνες από υλικά, όπως μογογιά που περιέχει μόλυβδο, ορισμένα είδη ξύλου και μέταλλο, μπορεί να είναι επιβλαβή για την υγεία.
- Η επαφή ή η εισπνοή αυτών των σκονών μπορεί να αποτελέσει κίνδυνο για το χειριστή ή για άτομα, τα οποία βρίσκονται κοντά.
- Φοράτε γυαλιά προστασίας και μάσκα προστασίας από τη σκόνη!

## Θέση σε λειτουργία

### Σύσφιξη/Αλλαγή λειαντικού ιμάντα

#### **⚠ ΠΡΟΕΙΔΟΠΟΙΗΣΗ! ΚΙΝΔΥΝΟΣ ΤΡΑΥΜΑΤΙΣΜΟΥ**

■ Αποσυνδέετε πάντα το βύσμα από την πρίζα, προτού διεξάγετε εργασίες στον ταινιολεια-ντήρα.

1. Λασκάρετε τη διάταξη σύσφιξης για τον λειαντικό ιμάντα περιστρέφοντας εντελώς προς τα έξω το μοχλό τάνυσης **4**. Ο λειαντικός ιμάντας **13** μπορεί να αφαιρεθεί.

2. Τοποθετήστε τώρα ένα νέο λειαντικό ιμάντα **13** ή αντικαταστήστε τον, για επεξεργασία διαφορετικού υλικού ή για να αλλάξετε το πάχος κόκκωσης.

**ΣΗΜΑΝΤΙΚΟ:** Η κατεύθυνση των βελών στην εσωτερική πλευρά του λειαντικού ιμάντα **13** και στο περίβλημα της συσκευής πρέπει να συμφωνούν.

3. Πιέστε πάλι το μοχλό τάνυσης **4** στην αρχική θέση.

#### Χειροκίνητη ρύθμιση λειαντικού ιμάντα **13**:

Εάν, μετά την ενεργοποίηση, δεν κεντραριστεί η διαδρομή ιμάντα, πρέπει να την επαναρυθμίσετε ενδεχ. χειροκίνητα.

♦ Για το σκοπό αυτό, περιστρέψτε τη βίδα ρύθμισης **12** στον μπροστινό κύλινδρο, έως ότου ο λειαντικός ιμάντας **13** να κινείται κεντραρισμένα.

**ΣΗΜΑΝΤΙΚΟ:** Προσέξτε απαραίτητα ώστε ο λειαντικός ιμάντας **13** να μην ακουμπάει στο περίβλημα. Ελέγχετε τακτικά τη διαδρομή του ιμάντα και ρυθμίζετε την εκ νέου, εφόσον απαιτείται, με τη βίδα ρύθμισης **12**.

#### Ρύθμιση πρόσθετης χειρολαβής

Μπορείτε να ρυθμίσετε την πρόσθετη χειρολαβή **2** σε περισσότερες θέσεις.

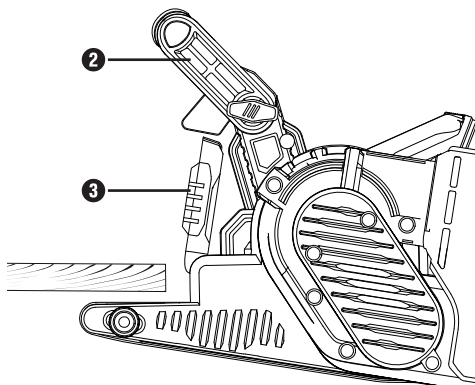
♦ Για την μετατόπιση της πρόσθετης χειρολαβής **2** λασκάρετε τη βίδα **7**.

♦ Ρυθμίστε την πρόσθετη χειρολαβή **2** στην επιθυμητή θέση.

♦ Σφίξτε πάλι καλά τη βίδα **7**.

#### Ανασήκωμα μπροστινού καλύμματος

Μπορείτε να ανασηκώσετε το μπροστινό κάλυμμα **3** για τη λείανση σε δύσκολα προσβάσιμα σημεία (βλ. Εικόνα).



#### **⚠ ΠΡΟΕΙΔΟΠΟΙΗΣΗ!**

► Το μπροστινό κάλυμμα **3** μπορεί να ανασηκωθεί, μόνο εάν η επιπρόσθετη χειρολαβή **2** έχει επίσης ανασηκωθεί (βλ. Κεφάλαιο «Ρύθμιση πρόσθετης χειρολαβής»).

♦ Γυρίστε το μπροστινό κάλυμμα **3** προς τα επάνω.

#### Τοποθέτηση/Απομάκρυνση διάταξης αναρρόφησης σκόνης

#### **⚠ ΠΡΟΕΙΔΟΠΟΙΗΣΗ! ΚΙΝΔΥΝΟΣ ΕΚΡΗΞΗΣ!**

■ Σε περίπτωση εκρηκτικής σκόνης/μίγματος αέρα, πρέπει να χρησιμοποιείτε μια αντίστοιχη κατάλληλη διάταξη αναρρόφησης. **ΚΙΝΔΥΝΟΣ ΠΥΡΚΑΓΙΑΣ ΛΟΓΩ ΣΠΙΝΘΗΡΙΣΜΩΝ!** Κατά τη λείανση μετάλλων, μη χρησιμοποιείτε διάταξη αναρρόφησης σκόνης (κουτί σκόνης **11** ή ηλεκτρική αναρροφητική σκούπα).

■ Δεν επιτρέπεται να γίνεται επεξεργασία υλικών, τα οποία περιέχουν αμιάντο. Ο αμιάντος θεωρείται καρκινογόνος.

**⚠ ΠΡΟΕΙΔΟΠΟΙΗΣΗ! ΚΙΝΔΥΝΟΣ ΠΥΡΚΑΓΙΑΣ!**

- Κατά την εργασία με ηλεκτρικές συσκευές που διαθέτουν ένα κουτί συλλογής σκόνης ή που συνδέονται μέσω μιας διάταξης αναρρόφησης σκόνης με την ηλεκτρική αναρροφητική σκούπα, υπάρχει κίνδυνος πυρκαγιάς! Υπό δυσμενείς συνθήκες, όπως π.χ. σε σπινθηρισμούς, κατά τη λείανση μετάλλου ή μεταλλικών υπολειμμάτων σε ξύλο, ενδέχεται η σκόνη ξύλου να αυτοαναφλεχθεί στο κουτί συλλογής σκόνης (ή στο σάκο σκόνης της αναρροφητικής διάταξης). Αυτό μπορεί κυρίως να συμβεί εάν η σκόνη ξύλου έχει αναμειχθεί με υπολείμματα μπογιάς ή άλλες χημικές ουσίες και το αντικείμενο λείανσης έχει υπερθερμανθεί λόγω μακράς επεξεργασίας. Για το λόγο αυτό, αποφεύγετε απαραίτητα υπερθέρμανση του αντικειμένου λείανσης και της συσκευής και αδειάζετε πάντα, πριν από τα διαλείμματα κατά την εργασία, το κουτί συλλογής σκόνης ή το σάκο σκόνης της αναρροφητικής διάταξης.
- Φροντίζετε για καλό αερισμό του χώρου εργασίας.
- Τηρείτε τις ισχύουσες στη χώρα σας προδιαγραφές για τα προς επεξεργασία υλικά.



- Φοράτε μάσκα προστασίας από τη σκόνη.

**Τοποθέτηση κουτιού σκόνης 11:**

- ◆ Ωθήστε το κουτί σκόνης 11 από επάνω στη σύνδεση 9 για το κουτί σκόνης.

**Αποσυναρμολόγηση/Απομάκρυνση κουτιού σκόνης:**

- ◆ Αφαιρέστε το κουτί σκόνης 11 προς τα επάνω.

**Σύνδεση αντάππορα αναρρόφησης και εξαρτήματος συστολής για εξωτερική διάταξη αναρρόφησης σκόνης:**

- ◆ Ωθήστε τον αντάππορα αναρρόφησης 16 στη σύνδεση 9.
- ◆ Ωθήστε το εξάρτημα συστολής 15 για την εξωτερική διάταξη αναρρόφησης σκόνης στον αντάππορα αναρρόφησης 16.

- ◆ Ωθήστε τον εύκαμπο σωλήνα μιας αντίστοιχης διάταξης αναρρόφησης σκόνης (π.χ. μιας αναρροφητικής σκούπας συνεργείου) στο εξάρτημα συστολής 15 της διάταξης αναρρόφησης σκόνης.

**Απομάκρυνση αντάππορα αναρρόφησης και εξαρτήματος συστολής για εξωτερική διάταξη αναρρόφησης σκόνης:**

- ◆ Αφαιρέστε τον εύκαμπο σωλήνα της διάταξης αναρρόφησης σκόνης.
- ◆ Αφαιρέστε το εξάρτημα συστολής 15 για την εξωτερική διάταξη αναρρόφησης.
- ◆ Αφαιρέστε τον αντάππορα αναρρόφησης 16 από τη σύνδεση 9 προς τα επάνω.

**Υποδείξεις εργασίας**

**Ελάχιστη πίεση λείανσης αρκεί:**

- Να εργάζεστε με ελάχιστη πίεση λείανσης. Το ίδιο βάρος του ταινιολειαντήρα αρκεί για καλές αποδόσεις λείανσης. Επιπλέον, με αυτόν τον τρόπο εργασίας προστατεύετε από φθορές τον λειαντικό ιμάντα 13 και η επιφάνεια του τεμαχίου επεξεργασίας γίνεται πιο λεία.

**Απόξεση και επιφάνεια:**

- Η απόδοση απόξεσης και το φινίρισμα επιφάνειας καθορίζονται από την ταχύτητα και το πάχος κόκκωσης του λειαντικού ιμάντα 13 (βλ. επίσης το απόσπασμα «Επιλογή αριθμού στροφών και λειαντικού ιμάντα»).

**Διαδικασία λείανσης:**

- Τοποθετήστε τη συσκευή ενεργοποιημένη επάνω στο τεμάχιο επεξεργασίας και εργαστείτε με μετρημένη πρόωση. Διεξάγετε τη διαδικασία λείανσης παράλληλα και επικαλυπτικά προς τις διαδρομές επαφής. Προς αποφυγή προβλημάτων, εγκάρσιων ιχνών λείανσης, λειανίτε μόνο προς την κατεύθυνση των ινών. Μετά την επεξεργασία, σηκώστε πρώτα τη συσκευή από το τεμάχιο επεξεργασίας και μετά απενεργοποιήστε τη.

**ΥΠΟΔΕΙΞΗ**

- ▶ Κατά την εργασία, κρατάτε πάντα τη συσκευή σφιχτά και με τα δύο χέρια.

## Χειρισμός

### Ενεργοποίηση και απενεργοποίηση

Κατά τη λειτουργία του ταινιολειαντήρα, μπορείτε να επιλέξετε μεταξύ στιγμιαίας και συνεχούς λειτουργίας.

Ενεργοποίηση στιγμιαίας λειτουργίας:

- ◆ Πιέστε το διακόπτη ON/OFF **1**.

Απενεργοποίηση στιγμιαίας λειτουργίας:

- ◆ Αφήστε ελεύθερο το διακόπτη ON/OFF **1**.

Ενεργοποίηση συνεχούς λειτουργίας:

- ◆ Πιέστε το διακόπτη ON/OFF **1**, κρατήστε τον πατημένο και πιέστε το πλήκτρο ασφάλισης **10**.

Απενεργοποίηση συνεχούς λειτουργίας:

- ◆ Πιέστε το διακόπτη ON/OFF **1** και αφήστε τον ελεύθερο.

### Εκκένωση κουτιού σκόνης

Το κουτί σκόνης **11** πρέπει να αδειάζει κατά τη διάρκεια της λειτουργίας κάθε 10 λεπτά.

- ◆ Αφαιρέστε το κουτί σκόνης **11** (βλ. Κεφάλαιο «Τοποθέτηση/Απομάκρυνση διάταξης αναρρόφησης σκόνης»)
- ◆ Ανακινήστε το κουτί σκόνης **11** πάνω από έναν κάδο απορριμμάτων για να το αδειάσετε.
- ◆ Τοποθετήστε πάλι το κουτί σκόνης **11** στη συσκευή.

## Επιλογή αριθμού στροφών και λειαντικού ιμάντα

Με τον τροχίσκο ρύθμισης ταχύτητας ιμάντα **5** μπορείτε να επιλέξετε τον αριθμό στροφών και με τη συσκευή σε λειτουργία. Η βέλτιστη ταχύτητα ιμάντα εξαρτάται από το τεμάχιο επεξεργασίας ή το υλικό που θα επεξεργαστείτε. Καθορίζετε πάντα οι ίδιοι τον εκάστοτε καλύτερο αριθμό στροφών με μια δοκιμή στην πράξη. Στον ακόλουθο πίνακα μπορείτε να βρείτε μη δεσμευτικές τιμές που διευκολύνουν τον υπολογισμό σας.

Υλικό/Τομέας εργασίας	Μαλακό ξύλο
Προλείανση (κόκκωση)	60
Φινίρισμα (κόκκωση)	240
Προεπιλογή αριθμού στροφών	υψηλός (5-6)

Υλικό/Τομέας εργασίας	Σκληρό ξύλο
Προλείανση (κόκκωση)	60
Φινίρισμα (κόκκωση)	180
Προεπιλογή αριθμού στροφών	υψηλός (5-6)

Υλικό/Τομέας εργασίας	Μορισσανίδες
Προλείανση (κόκκωση)	60
Φινίρισμα (κόκκωση)	150
Προεπιλογή αριθμού στροφών	υψηλός (5-6)

Υλικό/Τομέας εργασίας	Απομάκρυνση χρωμάτων/βερνικιών
Προλείανση (κόκκωση)	60
Φινίρισμα (κόκκωση)	--
Προεπιλογή αριθμού στροφών	υψηλός (5-6)

Υλικό/Τομέας εργασίας	Τρίψιμο βερνικιών
Προλείανση (κόκκωση)	150
Φινίρισμα (κόκκωση)	320
Προεπιλογή αριθμού στροφών	χαμηλός (1-2)

Υλικό/Τομέας εργασίας	Αφαίρεση σκουριάς σε χάλυβα
Προλείανση (κόκκωση)	40
Φινίρισμα (κόκκωση)	120
Προεπιλογή αριθμού στροφών	μέτριος / υψηλός (3-4)

Υλικό/Τομέας εργασίας	Πλαστικά
Προλείανση (κόκκωση)	120
Φινίρισμα (κόκκωση)	240
Προεπιλογή αριθμού στροφών	χαμηλός / μέτριος (2-3)

Υλικό/Τομέας εργασίας	Μη σιδηρούχα μέταλλα (π.χ. αλουμίνιο)
Προλείανση (κόκκωση)	80
Φινίρισμα (κόκκωση)	150
Προεπιλογή αριθμού στροφών	μέτριος / υψηλός (3-4)

## Σταθερή εργασία

- ◆ Θέστε την πρόσθετη χειρολαβή **2** στην οριζόντια θέση.
- ◆ Περιστρέψτε το ηλεκτρικό εργαλείο, όπως φαίνεται στην Εικ. Α, και τοποθετήστε το επάνω σε μια σταθερή πλάκα εργασίας.
- ◆ Τοποθετήστε δύο μέγγενες **14** στις προβλεπόμενες εσοχές **8** και σφίξτε καλά το ηλεκτρικό εργαλείο.

## Συμβουλές

- Ποτέ μην επεξεργάζεστε με τον ίδιο λειαντικό ιμάντα **15** ξύλο και μέταλλο.
- Φθαρμένοι ή σκισμένοι λειαντικοί ιμάντες μπορεί να προκαλέσουν ζημιά στο τεμάχιο επεξεργασίας. Για το λόγο αυτό, αλλάζετε έγκαιρα τους λειαντικούς ιμάντες.
- Φυλάτε τους λειαντικούς ιμάντες μόνο κρεμασμένους, διότι μπορεί να αχρηστευθούν από τσακίσματα, κλπ.

## Συντήρηση και καθαρισμός



**ΠΡΟΕΙΔΟΠΟΙΗΣΗ! ΚΙΝΔΥΝΟΣ ΤΡΑΥΜΑΤΙΣΜΟΥ!** Πριν από όλες τις εργασίες, απενεργοποιείτε τη συσκευή και τραβάτε το βύσμα από την πρίζα.

- ταινιολειαντήρας δεν απαιτεί συντήρηση.
- Καθαρίζετε τη συσκευή αμέσως μετά την ολοκλήρωση της εργασίας.
- Για τον καθαρισμό της συσκευής, χρησιμοποιείτε ένα στεγνό πανί και σε καμία περίπτωση βενζίνη, διαλυτικά μέσα ή καθαριστικά που καταστρέφουν το πλαστικό.

### Εκκένωση/Καθαρισμός κουτιού σκόνης 11:

- ◆ Αφαιρέστε το κουτί σκόνης 11 από τη συσκευή.
- ◆ Αδειάστε το κουτί σκόνης 11 εντελώς χτυπώντας το και τοποθετήστε πάλι το κουτί σκόνης 11 στη συσκευή.
- ◆ Διατηρείτε πάντα ελεύθερα τα ανοίγματα αερισμού.
- ◆ Απομακρύνετε τη σκόνη τροχίσματος που προσκολλάται με ένα πινέλο.

## Απόρριψη



Η συσκευασία αποτελείται από φιλικά προς το περιβάλλον υλικά, τα οποία μπορείτε να απορρίψετε μέσω των τοπικών υπηρεσιών ανακύκλωσης.



**Μην πετάτε τα ηλεκτρικά εργαλεία στα οικιακά απορρίμματα!**

Σύμφωνα με την ευρωπαϊκή οδηγία 2012/19/EU, τα χρησιμοποιημένα ηλεκτρικά εργαλεία πρέπει να συλλέγονται χωριστά και να επαναχρησιμοποιούνται με φιλικό προς το περιβάλλον τρόπο.

Ενημερωθείτε για τις δυνατότητες απόρριψης της χρησιμοποιημένης συσκευής από την αρμόδια υπηρεσία της κοινότητας ή της πόλης σας.

## Εγγύηση της

### Kompnass Handels GmbH

Αξιότιμη πελάτισσα, αξιότιμε πελάτη,

Η παρούσα συσκευή διατίθεται 3 χρόνια εγγύηση από την ημερομηνία αγοράς. Στην περίπτωση ελλείψεων στο προϊόν έχετε νομικά δικαιώματα έναντι του πωλητή του προϊόντος. Αυτά τα νομικά δικαιώματα δεν περιορίζονται μέσω της κατωτέρω αναφερόμενης εγγύησης.

### Προϋποθέσεις εγγύησης

Η περίοδος εγγύησης ξεκινάει κατά την ημερομηνία αγοράς. Φυλάξτε καλά την πρωτότυπη απόδειξη ταμείου. Αυτό το έγγραφο απαιτείται ως απόδειξη για την αγορά.

Εάν, εντός τριών ετών από την ημερομηνία αγοράς, προκύψει στο προϊόν αυτό σφάλμα υλικού ή κατασκευής, κατόπιν κρίσης μας, επισκευάζουμε ή αντικαθιστούμε το προϊόν για εσάς δωρεάν. Η παρούσα εγγύηση προϋποθέτει ότι εντός της περιόδου τριών ετών η ελαττωματική συσκευή και η απόδειξη αγοράς (απόδειξη ταμείου) θα υποβληθούν μαζί με σύντομη περιγραφή σχετικά με το που βρίσκεται η έλλειψη και τότε προέκυψε.

Εάν το ελάττωμα καλύπτεται από την εγγύησή μας, θα λάβετε το επισκευασμένο ή ένα νέο προϊόν.

### Περίοδος εγγύησης και νομικές απαιτήσεις λόγω ελλείψεων

Ο χρόνος εγγύησης δεν παρατείνεται μέσω της παροχής εγγύησης. Αυτό ισχύει και για εξαρτήματα, τα οποία έχουν αντικατασταθεί και επισκευαστεί. Ενδεχόμενες ήδη υπάρχουσες ζημιές και ελλείψεις κατά την αγορά πρέπει να γνωστοποιούνται αμέσως μετά την αποσυσκευασία. Μετά τη λήξη του χρόνου εγγύησης, τυχόν εμφανιζόμενες επισκευές χρεώνονται.

## Εύρος εγγύησης

Η συσκευή κατασκευάστηκε σύμφωνα με αυστηρές οδηγίες ποιότητας και ελέγχθηκε προσεκτικά πριν από την αποστολή.

Η απόδοση εγγύησης ισχύει για σφάλματα υλικού ή κατασκευής. Η παρούσα εγγύηση δεν εκτείνεται σε τμήματα του προϊόντος, τα οποία εκτίθενται σε φυσιολογική φθορά και έτσι μπορεί να θεωρούνται εξαρτήματα φθοράς ή για ζημιές σε εύθραυστα εξαρτήματα, π.χ. διακόπτες, συσσωρευτές, ταψιά ή εξαρτήματα που είναι κατασκευασμένα από γυαλί.

Η παρούσα εγγύηση ακυρώνεται εάν προκληθεί ζημιά στο προϊόν, εάν δεν γίνεται σωστή χρήση ή συντήρηση. Για μια σωστή χρήση του προϊόντος πρέπει να τηρούνται επακριβώς οι αναφερόμενες υποδείξεις στις οδηγίες χειρισμού. Σκοπός χρήσης και χειρισμοί που δεν συνιστώνται ή για τους οποίους υπάρχει προειδοποίηση πρέπει απαραίτητα να αποφεύγονται.

Το προϊόν προορίζεται μόνο για ιδιωτική και όχι για επαγγελματική χρήση. Σε περίπτωση κακής μεταχείρισης και ακατάλληλης χρήσης, χρήσης βίας και παρεμβάσεων, οι οποίες δεν διεξήχθησαν από το εξουσιοδοτημένο μας τμήμα σέρβις, η εγγύηση παύει να ισχύει.

## Διαδικασία σε περίπτωση εγγύησης

Για την εξασφάλιση γρήγορης επεξεργασίας του ζητήματός σας, τηρείτε τις ακόλουθες υποδείξεις:

- Για όλες τις ερωτήσεις έχετε έτοιμη την απόδειξη αγοράς και τον κωδικό προϊόντος (π.χ. IAN 12345) ως απόδειξη για την αγορά.
- Μπορείτε να βρείτε τον κωδικό προϊόντος στην πινακίδα τύπου, χαραγμένο, στην πρώτη σελίδα των οδηγιών σας (κάτω αριστερά) ή σε αυτοκόλλητο στην πίσω ή κάτω πλευρά.
- Εάν προκύψουν σφάλματα λειτουργίας ή άλλες ελλείψεις, επικοινωνήστε κατ' αρχήν με το ακόλουθο αναφερόμενο τμήμα σέρβις **τηλεφωνικά ή με E-Mail**.
- Ένα προϊόν που θεωρείται ελαττωματικό μπορείτε να το αποστείλετε ατελώς στην αναφερόμενη διεύθυνση του σέρβις επισυνάπτοντας την απόδειξη αγοράς (απόδειξη ταμείου) και αναφέροντας που βρίσκεται η έλλειψη και τότε εμφανίστηκε.



Στην ιστοσελίδα [www.lidl-service.com](http://www.lidl-service.com) μπορείτε να κατεβάσετε το παρόν και πολλά άλλα εγχειρίδια, βίντεο προϊόντων και λογισμικό.

## Σέρβις

### ⚠️ ΠΡΟΕΙΔΟΠΟΙΗΣΗ!

- Αναθέτετε την επισκευή των συσκευών σας στην υπηρεσία σέρβις ή σε εξειδικευμένο ηλεκτρολόγο και μόνο με γνήσια ανταλλακτικά. Έτσι διατηρείται η ασφάλεια της συσκευής.

### ⚠️ ΠΡΟΕΙΔΟΠΟΙΗΣΗ!

- Η αλλαγή του βύσματος ή του καλωδίου δικτύου πρέπει να διεξάγεται πάντα από τον κατασκευαστή της συσκευής ή από το τμήμα εξυπηρέτησης πελατών του. Έτσι διατηρείται η ασφάλεια της συσκευής.

### ΥΠΟΔΕΙΞΗ

- ▶ Μπορείτε να παραγγείλετε τα μη αναφερόμενα ανταλλακτικά (π.χ. ψήκτρεις άνθρακα, διακόπτες, κουτί σκόνης) μέσω του τηλεφωνικού μας κέντρου.

**GR** Σέρβις Ελλάδα  
Tel.: 801 5000 019 (0,03 EUR/Min.)  
E-Mail: [kompernass@lidl.gr](mailto:kompernass@lidl.gr)

**CY** Σέρβις Κύπρος  
Tel.: 8009 4409  
E-Mail: [kompernass@lidl.com.cy](mailto:kompernass@lidl.com.cy)

IAN 285794

## Εισαγωγέας

Η ακόλουθη διεύθυνση δεν είναι διεύθυνση σέρβις. Επικοινωνήστε, κατ' αρχήν, με την αναφερόμενη υπηρεσία σέρβις.

KOMPERNASS HANDELS GMBH  
BURGSTRASSE 21  
DE-44867 BOCHUM  
GERMANIA  
[www.kompernass.com](http://www.kompernass.com)



## Μετάφραση της Πρωτότυπης Δήλωση συμμόρφωσης

Εμείς, Η KOMPERNASS HANDELS GMBH, Υπεύθυνος τεκμηρίωσης: Semi Uguzlu, BURGSTR. 21, DE - 44867 BOCHUM, Γερμανία, δηλώνουμε δια της παρούσης ότι το παρόν προϊόν πληροί τα ακόλουθα πρότυπα, τα κανονιστικά έγγραφα και τις οδηγίες της ΕΚ:

Οδηγία περί μηχανών  
(2006 / 42 / EC)

Ηλεκτρομαγνητική συμβατότητα  
(2014 / 30 / EU)

Οδηγία RoHS (σχετικά με τον περιορισμό χρήσης συγκεκριμένων επικίνδυνων ουσιών στον ηλεκτρικό και ηλεκτρονικό εξοπλισμό)  
(2011 / 65 / EU)\*

\*Ο κατασκευαστής φέρει αποκλειστική ευθύνη για τη σύνταξη αυτής της δήλωσης συμμόρφωσης. Το ανωτέρω περιγραφόμενο αντικείμενο της δήλωσης πληροί τις προδιαγραφές της οδηγίας 2011/65/EU του Ευρωπαϊκού Κοινοβουλίου και του Συμβουλίου της 8ης Ιουνίου 2011 σχετικά με τον περιορισμό της χρήσης συγκεκριμένων επικίνδυνων υλικών σε ηλεκτρικές και ηλεκτρονικές συσκευές.

Εφαρμοσμένα εναρμονισμένα πρότυπα:

EN 60745-1:2009/A11:2010

EN 60745-2-4:2009/A11:2011

EN 55014-1:2006/A2:2011

EN 55014-2:2015

EN 61000-3-2:2014

EN 61000-3-3:2013

Ονομασία τύπου του μηχανήματος:

Ταινιολειαντήρας PBSD 600 A1

Έτος κατασκευής: 03-2017

Σειριακός αριθμός: IAN 285794

Bochum, 13.03.2017



Semi Uguzlu

- Διευθυντής ποιότητας -

Με την επιφύλαξη τεχνικών αλλαγών υπό την έννοια της συνεχούς ανάπτυξης.

# Inhaltsverzeichnis

<b>Einleitung</b> .....	<b>64</b>
Bestimmungsgemäßer Gebrauch .....	64
Abgebildete Komponenten .....	64
Lieferumfang .....	64
Technische Daten .....	64
<b>Allgemeine Sicherheitshinweise für Elektrowerkzeuge</b> .....	<b>65</b>
1. Arbeitsplatz-Sicherheit .....	65
2. Elektrische Sicherheit .....	65
3. Sicherheit von Personen .....	66
4. Verwendung und Behandlung des Elektrowerkzeugs .....	66
5. Service .....	67
Gerätespezifische Sicherheitshinweise für Schleifer .....	67
<b>Inbetriebnahme</b> .....	<b>67</b>
Schleifband einspannen /wechseln .....	67
Zusatzhandgriff einstellen .....	67
Frontabdeckung hochklappen .....	68
Staubabsaugung anbringen/entfernen .....	68
Arbeitshinweise .....	69
<b>Bedienung</b> .....	<b>69</b>
Ein- und ausschalten .....	69
Staubbox entleeren .....	69
Drehzahl und Schleifband wählen .....	70
Stationäres Arbeiten .....	70
Tipps und Tricks .....	70
<b>Wartung und Reinigung</b> .....	<b>71</b>
<b>Entsorgung</b> .....	<b>71</b>
<b>Garantie der Kompernaß Handels GmbH</b> .....	<b>71</b>
<b>Service</b> .....	<b>73</b>
<b>Importeur</b> .....	<b>73</b>
<b>Original-Konformitätserklärung</b> .....	<b>74</b>

## **BANDSCHLEIFER PBSD 600 A1**

### **Einleitung**

Wir beglückwünschen Sie zum Kauf Ihres neuen Gerätes. Sie haben sich damit für ein hochwertiges Produkt entschieden. Die Bedienungsanleitung ist Teil dieses Produkts. Sie enthält wichtige Hinweise für Sicherheit, Gebrauch und Entsorgung. Machen Sie sich vor der Benutzung des Produkts mit allen Bedien- und Sicherheitshinweisen vertraut. Benutzen Sie das Produkt nur wie beschrieben und für die angegebenen Einsatzbereiche. Händigen Sie alle Unterlagen bei Weitergabe des Produkts an Dritte mit aus.

### **Bestimmungsgemäßer Gebrauch**

Der Bandschleifer ist - je nach Schleifpapier - für trockenes Flächenschleifen von Holz, Kunststoff, Metall und Spachtelmasse sowie lackierten Oberflächen ausgelegt. Das Gerät darf nur für Trockenschliff verwendet werden. Beachten Sie bitte, dass Sie zur Bearbeitung der verschiedenen Materialien entsprechende Schleifblätter mit unterschiedlicher Körnung einsetzen und die Drehzahl ebenfalls dem Material anpassen. Das Gerät ist nicht für den gewerblichen Einsatz bestimmt. Jede andere Verwendung oder Veränderung der Maschine gilt als nicht bestimmungsgemäß und birgt erhebliche Unfallgefahren. Für aus bestimmungswidriger Verwendung entstandene Schäden übernimmt der Hersteller keine Haftung.


### **Abgebildete Komponenten**

- 1 EIN- / AUS-Schalter
- 2 Zusatzhandgriff (Gummierte Grifffläche)
- 3 Frontabdeckung
- 4 Spannhebel für Schleifband
- 5 Stellrad Bandgeschwindigkeit
- 6 Handgriff (Gummierte Grifffläche)
- 7 Schraube für Handgriffverstellung
- 8 Aussparungen für Schraubzwinde
- 9 Anschluss für Staubbox
- 10 Feststelltaste für EIN- / AUS-Schalter
- 11 Staubbox
- 12 Justierschraube für Bandlauf
- 13 Schleifband
- 14 Schraubzwinde
- 15 Reduzierstück
- 16 Absaugadapter

### **Lieferumfang**

- 1 Bandschleifer PBSD 600 A1
- 1 Schleifband für Holz (Körnung 80)
- 1 Staubbox
- 1 Absaugadapter und Reduzierstück (zur externen Staubabsaugung)
- 2 Schraubzwingen
- 1 Bedienungsanleitung

### **Technische Daten**

Bemessungsspannung:	230 V ~ 50 Hz (Wechselstrom)
Bemessungsaufnahme:	600 W
Leerlauf-	
Bandgeschwindigkeit:	170-250 m / min
Bemessungs-	
Leerlaufdrehzahl:	 n <sub>0</sub> 360-560 min <sup>-1</sup>
Schleifband:	75 x 457 mm
Schutzklasse:	II/□ (Doppelisolierung)

### **Geräuschemissionswert:**

Messwert für Geräusch ermittelt entsprechend EN 60745. Der A-bewertete Geräuschpegel des Elektrowerkzeugs beträgt typischerweise:

Schalldruckpegel:	L <sub>pA</sub> = 91 dB (A)
Unsicherheit:	K <sub>pA</sub> = 3 dB
Schallleistungspegel:	L <sub>WA</sub> = 102 dB (A)
Unsicherheit:	K <sub>WA</sub> = 3 dB

### **Gehörschutz tragen!**

### **Schwingungsgesamtwert:**

Schwingungsgesamtwerte (Vektorsumme dreier Richtungen) ermittelt entsprechend EN 60745:

Schleifen mit Schleifteller: a<sub>h</sub> = 4,2 m/s<sup>2</sup>

Unsicherheit K = 1,5 m/s<sup>2</sup>

**HINWEIS**

- ▶ Der in diesen Anweisungen angegebene Schwingungspegel ist entsprechend einem in EN 60745 genormten Messverfahren gemessen worden und kann für den Gerätevergleich verwendet werden. Der angegebene Schwingungsemissionswert kann auch zu einer einleitenden Einschätzung der Aussetzung verwendet werden. Der Schwingungsemissionswert wird sich entsprechend dem Einsatz des Elektrowerkzeugs verändern und kann in manchen Fällen über dem in diesen Anweisungen angegebenen Wert liegen. Die Schwingungsbelastung könnte unterschätzt werden, wenn das Elektrowerkzeug regelmäßig in solcher Weise verwendet wird.

**⚠️ WARNUNG!**

- ▶ Versuchen Sie, die Belastung durch Vibrationen so gering wie möglich zu halten. Beispielhafte Maßnahmen zur Verringerung der Vibrationsbelastung sind das Tragen von Handschuhen beim Gebrauch des Werkzeugs und die Begrenzung der Arbeitszeit. Dabei sind alle Anteile des Betriebszyklus zu berücksichtigen (Beispielsweise Zeiten, in denen das Elektrowerkzeug abgeschaltet ist, und solche, in denen es zwar eingeschaltet ist, aber ohne Belastung läuft).



**Allgemeine Sicherheitshinweise für Elektrowerkzeuge**



**⚠️ WARNUNG!**

- ▶ **Lesen Sie alle Sicherheitshinweise und Anweisungen.** Versäumnisse bei der Einhaltung der Sicherheitshinweise und Anweisungen können elektrischen Schlag, Brand und/oder schwere Verletzungen verursachen.

**Bewahren Sie alle Sicherheitshinweise und Anweisungen für die Zukunft auf.**

Der in den Sicherheitshinweisen verwendete Begriff „Elektrowerkzeug“ bezieht sich auf netzbetriebene Elektrowerkzeuge (mit Netzkabel) und auf akkubetriebene Elektrowerkzeuge (ohne Netzkabel).

**1. Arbeitsplatz-Sicherheit**

- Halten Sie Ihren Arbeitsbereich sauber und beleuchtet.** Unordnung und unbeleuchtete Arbeitsbereiche können zu Unfällen führen.
- Arbeiten Sie mit dem Elektrowerkzeug nicht in explosionsgefährdeter Umgebung, in der sich brennbare Flüssigkeiten, Gase oder Stäube befinden.** Elektrowerkzeuge erzeugen Funken, die den Staub oder die Dämpfe entzünden können.
- Halten Sie Kinder und andere Personen während der Benutzung des Elektrowerkzeugs fern.** Bei Ablenkung können Sie die Kontrolle über das Gerät verlieren.

**2. Elektrische Sicherheit**

- Der Anschlussstecker des Elektrowerkzeuges muss in die Steckdose passen.** Der Stecker darf in keiner Weise verändert werden. **Verwenden Sie keine Adapterstecker gemeinsam mit schutzgeerdeten Elektrowerkzeugen.** Unveränderte Stecker und passende Steckdosen verringern das Risiko eines elektrischen Schlages.
- Vermeiden Sie Körperkontakt mit geerdeten Oberflächen, wie von Rohren, Heizungen, Herden und Kühlschränken.** Es besteht ein erhöhtes Risiko durch elektrischen Schlag, wenn Ihr Körper geerdet ist.

- c) Halten Sie Elektrowerkzeuge von Regen oder Nässe fern. Das Eindringen von Wasser in ein Elektrogerät erhöht das Risiko eines elektrischen Schlages.
- d) Zweckentfremden Sie das Kabel nicht, um das Elektrowerkzeug zu tragen, aufzuhängen oder um den Stecker aus der Steckdose zu ziehen. Halten Sie das Kabel fern von Hitze, Öl, scharfen Kanten oder sich bewegenden Geräteteilen. Beschädigte oder verwickelte Kabel erhöhen das Risiko eines elektrischen Schlages.
- e) Wenn Sie mit einem Elektrowerkzeug im Freien arbeiten, verwenden Sie nur Verlängerungskabel, die auch für den Außenbereich zugelassen sind. Die Anwendung eines für den Außenbereich geeigneten Verlängerungskabels verringert das Risiko eines elektrischen Schlages.
- f) Wenn der Betrieb des Elektrowerkzeuges in feuchter Umgebung nicht vermeidbar ist, verwenden Sie einen Fehlerstromschutzschalter. Der Einsatz eines Fehlerstromschutzschalters vermindert das Risiko eines elektrischen Schlages.
- d) Entfernen Sie Einstellwerkzeuge oder Schraubenschlüssel, bevor Sie das Elektrowerkzeug einschalten. Ein Werkzeug oder Schlüssel, der sich in einem drehenden Geräteteil befindet, kann zu Verletzungen führen.
- e) Vermeiden Sie eine abnormale Körperhaltung. Sorgen Sie für einen sicheren Stand und halten Sie jederzeit das Gleichgewicht. Dadurch können Sie das Elektrowerkzeug in unerwarteten Situationen besser kontrollieren.
- f) Tragen Sie geeignete Kleidung. Tragen Sie keine weite Kleidung oder Schmuck. Halten Sie Haare, Kleidung und Handschuhe fern von sich bewegenden Teilen. Lockere Kleidung, Schmuck oder lange Haare können von sich bewegenden Teilen erfasst werden.
- g) Wenn Staubabsaug- und -auffangeinrichtungen montiert werden können, vergewissern Sie sich, dass diese angeschlossen sind und richtig verwendet werden. Die Verwendung einer Staubabsaugung kann Gefährdungen durch Staub verringern.

### 3. Sicherheit von Personen

- a) Seien Sie stets aufmerksam, achten Sie darauf, was Sie tun und gehen Sie mit Vernunft an die Arbeit mit einem Elektrowerkzeug. Benutzen Sie kein Elektrowerkzeug, wenn Sie müde sind oder unter dem Einfluss von Drogen, Alkohol oder Medikamenten stehen. Ein Moment der Unachtsamkeit beim Gebrauch des Elektrowerkzeuges kann zu ernsthaften Verletzungen führen.
- b) Tragen Sie persönliche Schutzausrüstung und immer eine Schutzbrille. Das Tragen persönlicher Schutzausrüstung wie Staubmaske, rutschfeste Sicherheitsschuhe, Schutzhelm oder Gehörschutz, je nach Art und Einsatz des Elektrowerkzeuges, verringert das Risiko von Verletzungen.
- c) Vermeiden Sie eine unbeabsichtigte Inbetriebnahme. Vergewissern Sie sich, dass das Elektrowerkzeug ausgeschaltet ist, bevor Sie es an die Stromversorgung und / oder den Akku anschließen, es aufnehmen oder tragen. Wenn Sie beim Tragen des Elektrowerkzeuges den Finger am Schalter haben oder das Gerät bereits eingeschaltet an die Stromversorgung anschließen, kann dies zu Unfällen führen.

### 4. Verwendung und Behandlung des Elektrowerkzeugs

- a) Überlasten Sie das Gerät nicht. Verwenden Sie für Ihre Arbeit das dafür bestimmte Elektrowerkzeug. Mit dem passenden Elektrowerkzeug arbeiten Sie besser und sicherer im angegebenen Leistungsbereich.
- b) Benutzen Sie kein Elektrowerkzeug, dessen Schalter defekt ist. Ein Elektrowerkzeug, das sich nicht mehr ein- oder ausschalten lässt, ist gefährlich und muss repariert werden.
- c) Ziehen Sie den Stecker aus der Steckdose und / oder entfernen Sie den Akku, bevor Sie Geräteeinstellungen vornehmen, Zubehörteile wechseln oder das Gerät weglegen. Diese Vorsichtsmaßnahme verhindert den unbeabsichtigten Start des Elektrowerkzeuges.
- d) Bewahren Sie unbenutzte Elektrowerkzeuge außerhalb der Reichweite von Kindern auf. Lassen Sie Personen das Gerät nicht benutzen, die mit diesem nicht vertraut sind oder diese Anweisungen nicht gelesen haben. Elektrowerkzeuge sind gefährlich, wenn sie von unerfahrenen Personen benutzt werden.

- e) Pflegen Sie Elektrowerkzeuge mit Sorgfalt. Kontrollieren Sie, ob bewegliche Teile einwandfrei funktionieren und nicht klemmen, ob Teile gebrochen oder so beschädigt sind, dass die Funktion des Elektrowerkzeuges beeinträchtigt ist. Lassen Sie beschädigte Teile vor dem Einsatz des Gerätes reparieren. Viele Unfälle haben ihre Ursache in schlecht gewarteten Elektrowerkzeugen.
- f) Halten Sie Schneidwerkzeuge scharf und sauber. Sorgfältig gepflegte Schneidwerkzeuge mit scharfen Schneidkanten verklemmen sich weniger und sind leichter zu führen.
- g) Verwenden Sie Elektrowerkzeug, Zubehör, Einsatzwerkzeuge usw. entsprechend diesen Anweisungen. Berücksichtigen Sie dabei die Arbeitsbedingungen und die auszuführende Tätigkeit. Der Gebrauch von Elektrowerkzeugen für andere als die vorgesehenen Anwendungen kann zu gefährlichen Situationen führen.

## 5. Service

- a) Lassen Sie Ihr Elektrowerkzeug nur von qualifiziertem Fachpersonal und nur mit Original-Ersatzteilen reparieren. Damit wird sichergestellt, dass die Sicherheit des Elektrowerkzeugs erhalten bleibt.

## Gerätespezifische Sicherheitshinweise für Schleifer

- Halten Sie das Gerät an den isolierten Griffflächen, da das Schleifband 13 das eigene Netzkabel treffen kann. Das Beschädigen einer spannungsführenden Leitung kann metallene Geräteteile unter Spannung setzen und zu einem elektrischen Schlag führen.

### **WARNUNG!**

- Stäube von Materialien wie bleihaltigem Anstrich, einigen Holzarten und Metall können gesundheitsschädlich sein.
- Die Berührung oder das Einatmen dieser Stäube kann eine Gefährdung für die Bedienperson oder in der Nähe befindliche Personen darstellen.
- Tragen Sie Schutzbrille und Staubschutzmaske!

## Inbetriebnahme

### Schleifband einspannen / wechseln

#### **WARNUNG! VERLETZUNGSGEFAHR**

- Ziehen Sie den Netzstecker immer aus der Steckdose, bevor Sie Arbeiten am Bandschleifer durchführen.
1. Lösen Sie die Spannvorrichtung für das Schleifband, indem Sie den Spannhebel 4 ganz herausschwenken. Das Schleifband 13 lässt sich entnehmen.
  2. Legen Sie nun ein neues Schleifband 13 auf bzw. wechseln Sie es aus, um anderes Material zu bearbeiten oder die Kornstärke zu wechseln.  
**WICHTIG:** Die Pfeilrichtungen auf der Innenseite des Schleifbandes 13 und am Gerätegehäuse müssen übereinstimmen.
  3. Drücken Sie den Spannhebel 4 wieder in die Ausgangsposition.

### Schleifband 13 manuell justieren:

Wird der Bandlauf nach dem Einschalten nicht zentriert, müssen Sie den Bandlauf ggf. manuell nachstellen.

- ◆ Drehen Sie dazu die Justierschraube 12 an der vorderen Rolle, bis das Schleifband 13 zentriert läuft.  
**WICHTIG:** Achten Sie unbedingt darauf, dass sich das Schleifband 13 nicht am Gehäuse einschleift. Prüfen Sie regelmäßig den Bandlauf und regeln Sie ihn, wenn nötig, mit der Justierschraube 12 nach.

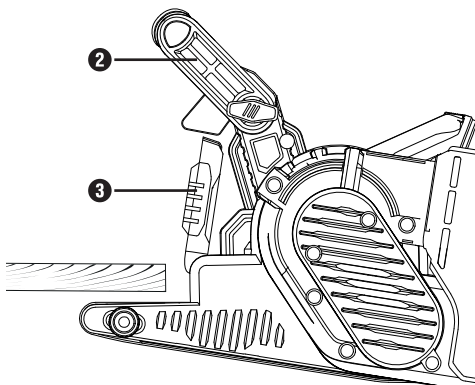
### Zusatzhandgriff einstellen

Sie können den Zusatzhandgriff 2 in mehrere Positionen einstellen.

- ◆ Lösen Sie zum Verstellen des Zusatzhandgriffes 2 die Schraube 7.
- ◆ Stellen Sie den Zusatzhandgriff 2 in die gewünschte Position ein.
- ◆ Ziehen Sie die Schraube 7 wieder fest.

## Frontabdeckung hochklappen

Sie können die Frontabdeckung **3** zum Schleifen an schwer erreichbaren Stellen hochklappen (siehe Abbildung).



### **⚠️ WARNUNG!**

- ▶ Die Frontabdeckung **3** kann nur hochgeklappt werden, wenn der Zusatzhandgriff **2** ebenfalls nach oben geklappt wurde (siehe Kapitel „Zusatzhandgriff einstellen“).

- ◆ Klappen Sie die Frontabdeckung **3** nach oben.

## Staubabsaugung anbringen/entfernen

### **⚠️ WARNUNG! EXPLOSIONSGEFAHR!**

- Bei explosivem Staub / Luftgemisch müssen Sie einen dazu speziell geeigneten Absauger verwenden. **BRANDGEFAHR DURCH FUNKENFLUG!** Verwenden Sie beim Schleifen von Metallen keine Staubabsaugung (Staubbox **11** oder Staubsauger).
- Asbesthaltiges Material darf nicht bearbeitet werden. Asbest gilt als krebserregend.

### **⚠️ WARNUNG! BRANDGEFAHR!**

- Beim Arbeiten mit Elektrogeräten, die über eine Staubfangbox verfügen oder durch eine Staubabsaugvorrichtung mit dem Staubsauger verbunden werden können, besteht Brandgefahr! Unter ungünstigen Bedingungen, wie z. B. bei Funkenflug - beim Schleifen von Metall oder Metallresten in Holz - kann sich Holzstaub in der Staubfangbox (oder im Staubbeutel des Staubsaugers) selbst entzünden. Dies kann insbesondere dann geschehen, wenn der Holzstaub mit Lackresten oder anderen chemischen Stoffen vermischt ist und das Schleifgut nach langem Arbeiten heiß ist. Vermeiden Sie deshalb unbedingt eine Überhitzung des Schleifguts und des Gerätes und entleeren Sie vor Arbeitspausen stets die Staubfangbox bzw. den Staubbeutel des Staubsaugers.
- Sorgen Sie für gute Belüftung des Arbeitsplatzes.
- Beachten Sie in Ihrem Land gültige Vorschriften für die zu bearbeitenden Materialien.



- Tragen Sie eine Staubschutzmaske.

### Staubbox **11** anbringen:

- ◆ Schieben Sie die Staubbox **11** von oben auf den Anschluss **9** für die Staubbox.

### Staubbox demontieren / abnehmen:

- ◆ Ziehen Sie die Staubbox **11** nach oben hin ab.

### Absaugadapter und Reduzierstück zur Fremdabsaugung anschließen:

- ◆ Schieben Sie den Absaugadapter **16** auf den Anschluss **9**.
- ◆ Schieben Sie das Reduzierstück **15** zur Fremdabsaugung in den Absaugadapter **16**.
- ◆ Schieben Sie den Schlauch einer zulässigen Staubabsaugvorrichtung (z. B. eines Werkstattstaubsaugers) auf das Reduzierstück **15** zur Fremdabsaugung.

**Absaugadapter und Reduzierstück zur Fremdaugung abnehmen:**

- ◆ Ziehen Sie den Schlauch der Staubsaugvorrichtung ab.
- ◆ Ziehen Sie das Reduzierstück **15** zur Fremdaugung ab.
- ◆ Ziehen Sie den Absaugadapter **16** von dem Anschluss **9** nach oben hin ab.

**Arbeitshinweise**

**Geringer Schleifdruck genügt:**

- Arbeiten Sie mit geringem Schleifdruck. Das Eigengewicht des Bandschleifers reicht für gute Schleifleistungen aus. Zusätzlich schonen Sie durch diese Arbeitsweise den Verschleiß des Schleifbandes **13** und die Oberfläche des Werkstückes wird glatter.

**Abtrag und Oberfläche:**

- Die Abtragsleistung und die Oberflächengüte werden von der Bandgeschwindigkeit und der Kornstärke des Schleifbandes **13** bestimmt (siehe auch Abschnitt „Drehzahl und Schleifband wählen“).

**Schleifvorgang:**

- Platzieren Sie das Gerät eingeschaltet auf dem Werkstück und arbeiten Sie mit mäßigem Vorschub. Führen Sie den Schleifvorgang parallel und überlappend zu den Schleifbahnen durch. Zur Vermeidung von störenden, querlaufenden Schleifspuren nur in Faserrichtung schleifen. Heben Sie das Gerät nach der Bearbeitung vom Werkstück ab und schalten Sie es erst dann aus.

**HINWEIS**

- ▶ Halten Sie das Gerät während der Arbeit immer mit beiden Händen fest.

**Bedienung**

**Ein- und ausschalten**

Sie können beim Betrieb des Bandschleifers zwischen Moment- und Dauerbetrieb auswählen.

**Momentbetrieb einschalten:**

- ◆ Drücken Sie den EIN- / AUS-Schalter **1**.

**Momentbetrieb ausschalten:**

- ◆ Lassen Sie den EIN- / AUS-Schalter **1** los.

**Dauerbetrieb einschalten:**

- ◆ Drücken Sie den EIN- / AUS-Schalter **1**, halten Sie ihn gedrückt und drücken Sie die Feststelltaste **10**.

**Dauerbetrieb ausschalten:**

- ◆ Drücken Sie den EIN- / AUS-Schalter **1** und lassen Sie ihn los.

**Staubbox entleeren**

Die Staubbox **11** sollte während des Betriebs alle 10 Minuten entleert werden.

- ◆ Ziehen Sie die Staubbox **11** ab (siehe Kapitel „Staubabsaugung anbringen/entfernen“)
- ◆ Schütteln Sie die Staubbox **11** über einen Abfalleimer, um diese zu entleeren.
- ◆ Bringen Sie die Staubbox **11** wieder am Gerät an.



## Drehzahl und Schleifband wählen

Mit dem Stellrad Bandgeschwindigkeit **5** können Sie die Drehzahl auch bei laufendem Gerät wählen. Die optimale Bandgeschwindigkeit ist abhängig von dem zu bearbeitenden Werkstück bzw. Material. Ermitteln Sie die jeweils beste Drehzahl immer selbst in einem praktischen Versuch. In der nachfolgenden Tabelle finden Sie unverbindliche Werte, die Ihnen die Ermittlung erleichtern.

Werkstoff / Arbeitsbereich	Weichholz
Grobschliff (Körnung)	60
Feinschliff (Körnung)	240
Drehzahlvorwahl	hoch (5-6)

Werkstoff / Arbeitsbereich	Hartholz
Grobschliff (Körnung)	60
Feinschliff (Körnung)	180
Drehzahlvorwahl	hoch (5-6)

Werkstoff / Arbeitsbereich	Spanplatten
Grobschliff (Körnung)	60
Feinschliff (Körnung)	150
Drehzahlvorwahl	hoch (5-6)

Werkstoff / Arbeitsbereich	Farbe / Lacke entfernen
Grobschliff (Körnung)	60
Feinschliff (Körnung)	--
Drehzahlvorwahl	hoch (5-6)

Werkstoff / Arbeitsbereich	Lacke anschleifen
Grobschliff (Körnung)	150
Feinschliff (Körnung)	320
Drehzahlvorwahl	niedrig (1-2)

Werkstoff / Arbeitsbereich	Stahl entrostet
Grobschliff (Körnung)	40
Feinschliff (Körnung)	120
Drehzahlvorwahl	mittel / hoch (3-4)

Werkstoff / Arbeitsbereich	Kunststoffe
Grobschliff (Körnung)	120
Feinschliff (Körnung)	240
Drehzahlvorwahl	niedrig / mittel (2-3)

Werkstoff / Arbeitsbereich	Nichteisen-Metalle (z. B. Alu)
Grobschliff (Körnung)	80
Feinschliff (Körnung)	150
Drehzahlvorwahl	mittel / hoch (3-4)

## Stationäres Arbeiten

- ◆ Bringen Sie den Zusatzhandgriff **2** in die Horizontale Position.
- ◆ Drehen Sie das Elektrowerkzeug wie in der Abbildung A gezeigt um und legen Sie es auf eine stabile Arbeitsplatte.
- ◆ Setzen Sie zwei Schraubzwingen **14** in die dafür vorgesehenen Aussparungen **8** ein und spannen Sie das Elektrowerkzeug fest.

## Tipps und Tricks

- Niemals mit dem selben Schleifband **13** Holz und Metall bearbeiten.
- Verschlissene oder eingerissene Schleifbänder können das Werkstück beschädigen. Wechseln Sie die Schleifbänder deshalb rechtzeitig aus.
- Bewahren Sie Schleifbänder nur hängend auf, da sie durch Knicke etc. unbrauchbar werden.

## Wartung und Reinigung



**WARNUNG! VERLETZUNGSGEFAHR!**  
Schalten Sie vor allen Arbeiten am Gerät das Gerät aus und ziehen Sie den Netzstecker.

Der Bandschleifer ist wartungsfrei.

- Reinigen Sie das Gerät direkt nach Abschluss der Arbeit.
- Verwenden Sie zur Reinigung des Gerätes ein trockenes Tuch und keinesfalls Benzin, Lösungsmittel oder Reiniger, die Kunststoff angreifen.

### **Staubbox ① entleeren / reinigen:**

- ◆ Ziehen Sie die Staubbox ① vom Gerät ab.
- ◆ Leeren Sie die Staubbox ① vollständig durch Ausklopfen und stecken Sie die Staubbox ① wieder auf das Gerät.
- ◆ Halten Sie Lüftungsöffnungen immer frei.
- ◆ Entfernen Sie anhaftenden Schleifstaub mit einem Pinsel.

## Entsorgung



Die Verpackung besteht aus umweltfreundlichen Materialien, die Sie über die örtlichen Recyclingstellen entsorgen können.



**Werfen Sie Elektrowerkzeuge nicht in den Hausmüll!**

Gemäß Europäischer Richtlinie 2012/19/EU müssen verbrauchte Elektrowerkzeuge getrennt gesammelt und einer umweltgerechten Wiederverwertung zugeführt werden.

Möglichkeiten zur Entsorgung des ausgedienten Gerätes erfahren Sie bei Ihrer Gemeinde- oder Stadtverwaltung.

## Garantie der Kompernaß Handels GmbH

Sehr geehrte Kundin, sehr geehrter Kunde,

Sie erhalten auf dieses Gerät 3 Jahre Garantie ab Kaufdatum. Im Falle von Mängeln dieses Produkts stehen Ihnen gegen den Verkäufer des Produkts gesetzliche Rechte zu. Diese gesetzlichen Rechte werden durch unsere im Folgenden dargestellte Garantie nicht eingeschränkt.

### **Garantiebedingungen**

Die Garantiefrist beginnt mit dem Kaufdatum. Bitte bewahren Sie den Original-Kassenbon gut auf. Diese Unterlage wird als Nachweis für den Kauf benötigt.

Tritt innerhalb von drei Jahren ab dem Kaufdatum dieses Produkts ein Material- oder Fabrikationsfehler auf, wird das Produkt von uns – nach unserer Wahl – für Sie kostenlos repariert oder ersetzt. Diese Garantieleistung setzt voraus, dass innerhalb der Drei-Jahres-Frist das defekte Gerät und der Kaufbeleg (Kassenbon) vorgelegt und schriftlich kurz beschrieben wird, worin der Mangel besteht und wann er aufgetreten ist.

Wenn der Defekt von unserer Garantie gedeckt ist, erhalten Sie das reparierte oder ein neues Produkt zurück. Mit Reparatur oder Austausch des Produkts beginnt kein neuer Garantiezeitraum.

### **Garantiezeit und gesetzliche Mängelansprüche**

Die Garantiezeit wird durch die Gewährleistung nicht verlängert. Dies gilt auch für ersetzte und reparierte Teile. Eventuell schon beim Kauf vorhandene Schäden und Mängel müssen sofort nach dem Auspacken gemeldet werden. Nach Ablauf der Garantiezeit anfallende Reparaturen sind kostenpflichtig.

## Garantieumfang

Das Gerät wurde nach strengen Qualitätsrichtlinien sorgfältig produziert und vor Auslieferung gewissenhaft geprüft.

Die Garantieleistung gilt für Material- oder Fabrikationsfehler. Diese Garantie erstreckt sich nicht auf Produktteile, die normaler Abnutzung ausgesetzt sind und daher als Verschleißteile angesehen werden können oder für Beschädigungen an zerbrechlichen Teilen, z. B. Schalter, Akkus, Backformen oder Teile die aus Glas gefertigt sind.

Diese Garantie verfällt, wenn das Produkt beschädigt, nicht sachgemäß benutzt oder gewartet wurde. Für eine sachgemäße Benutzung des Produkts sind alle in der Bedienungsanleitung aufgeführten Anweisungen genau einzuhalten. Verwendungszwecke und Handlungen, von denen in der Bedienungsanleitung abgeraten oder vor denen gewarnt wird, sind unbedingt zu vermeiden.

Das Produkt ist nur für den privaten und nicht für den gewerblichen Gebrauch bestimmt. Bei missbräuchlicher und unsachgemäßer Behandlung, Gewaltausübung und bei Eingriffen, die nicht von unserer autorisierten Service-Niederlassung vorgenommen wurden, erlischt die Garantie.

## Abwicklung im Garantiefall

Um eine schnelle Bearbeitung ihres Anliegens zu gewährleisten, folgen Sie bitte den folgenden Hinweisen:

- Bitte halten Sie für alle Anfragen den Kassenschein und die Artikelnummer (z. B. IAN 12345) als Nachweis für den Kauf bereit.
- Die Artikelnummer entnehmen Sie bitte dem Typenschild, einer Gravur, auf dem Titelblatt ihrer Anleitung (unten links) oder als Aufkleber auf der Rück- oder Unterseite.
- Sollten Funktionsfehler oder sonstige Mängel auftreten, kontaktieren Sie zunächst die nachfolgend benannte Serviceabteilung **telefonisch** oder per **E-Mail**.
- Ein als defekt erfasstes Produkt können Sie dann unter Beifügung des Kaufbelegs (Kassenschein) und der Angabe, worin der Mangel besteht und wann er aufgetreten ist, für Sie portofrei an die Ihnen mitgeteilte Service-Anschrift übersenden.



Auf [www.lidl-service.com](http://www.lidl-service.com) können Sie diese und viele weitere Handbücher, Produktvideos und Software herunterladen.

## Service

### **WARNUNG!**

- Lassen Sie Ihre Geräte von der Servicestelle oder einer Elektrofachkraft und nur mit Original-Ersatzteilen reparieren. Damit wird sichergestellt, dass die Sicherheit des Gerätes erhalten bleibt.

### **WARNUNG!**

- Lassen Sie den Austausch des Steckers oder der Netzleitung immer vom Hersteller des Gerätes oder seinem Kundendienst ausführen. Damit wird sichergestellt, dass die Sicherheit des Gerätes erhalten bleibt.

### **HINWEIS**

- Nicht aufgeführte Ersatzteile (wie z. B. Kohlebürsten, Schalter, Staubbox) können Sie über unsere Callcenter bestellen.

#### **Service Deutschland**

Tel.: 0800 5435 111 (Kostenfrei aus dem dt. Festnetz/Mobilfunknetz)  
E-Mail: [kompernass@lidl.de](mailto:kompernass@lidl.de)

#### **Service Österreich**

Tel.: 0820 201 222 (0,15 EUR/Min.)  
E-Mail: [kompernass@lidl.at](mailto:kompernass@lidl.at)

#### **Service Schweiz**

Tel.: 0842 665566 (0,08 CHF/Min., Mobilfunk max. 0,40 CHF/Min.)  
E-Mail: [kompernass@lidl.ch](mailto:kompernass@lidl.ch)

IAN 285794

## Importeur

Bitte beachten Sie, dass die folgende Anschrift keine Serviceanschrift ist. Kontaktieren Sie zunächst die benannte Servicestelle.

KOMPERNASS HANDELS GMBH  
BURGSTRASSE 21  
DE-44867 BOCHUM  
DEUTSCHLAND  
[www.kompernass.com](http://www.kompernass.com)

## Original-Konformitätserklärung

Wir, KOMPERNASS HANDELS GMBH, Dokumentenverantwortlicher: Herr Semi Uguzlu, BURGSTR. 21, DE - 44867 BOCHUM, Deutschland, erklären hiermit, dass dieses Produkt mit den folgenden Normen, normativen Dokumenten und EG-Richtlinien übereinstimmt:

**Maschinenrichtlinie  
(2006 / 42 / EG)**

**Elektromagnetische Verträglichkeit  
(2014 / 30 / EU)**

**RoHS Richtlinie  
(2011 / 65 / EU)\***

\*Die alleinige Verantwortung für die Ausstellung dieser Konformitätserklärung trägt der Hersteller. Der oben beschriebene Gegenstand der Erklärung erfüllt die Vorschriften der Richtlinie 2011/65/EU des Europäischen Parlaments und des Rates vom 8. Juni 2011 zur Beschränkung der Verwendung bestimmter gefährlicher Stoffe in Elektro- und Elektronikgeräten.

### Angewandte harmonisierte Normen:

EN 60745-1:2009/A11:2010

EN 60745-2-4:2009/A11:2011

EN 55014-1:2006/A2:2011

EN 55014-2:2015

EN 61000-3-2:2014

EN 61000-3-3:2013

### Typbezeichnung der Maschine:

Bandschleifer PBSD 600 A1

**Herstellungsjahr: 03-2017**

**Seriennummer: IAN 285794**

Bochum, 13.03.2017



Semi Uguzlu

- Qualitätsmanager -

Technische Änderungen im Sinne der Weiterentwicklung sind vorbehalten.



**KOMPERNASS HANDELS GMBH**

BURGSTRASSE 21  
DE-44867 BOCHUM  
GERMANY  
[www.kompernass.com](http://www.kompernass.com)

Last Information Update · Stanje informacija · Versiunea informațiilor  
Актуалност на информацията · Έκδοση των πληροφοριών  
Stand der Informationen: 03 / 2017 · Ident.-No.: PBS D600A1-032017-2

IAN 285794