



[www.lidl-service.com](http://www.lidl-service.com)



## **BELT SANDER PBS D 600 A1**

GB IE NI

### **BELT SANDER**

Translation of the original instructions

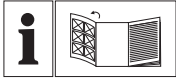
DE AT CH

### **BANDSCHLEIFER**

Originalbetriebsanleitung

**IAN 285794**

GB IE  
NI



GB IE NI

Before reading, unfold the page containing the illustrations and familiarise yourself with all functions of the device.

---

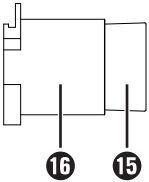
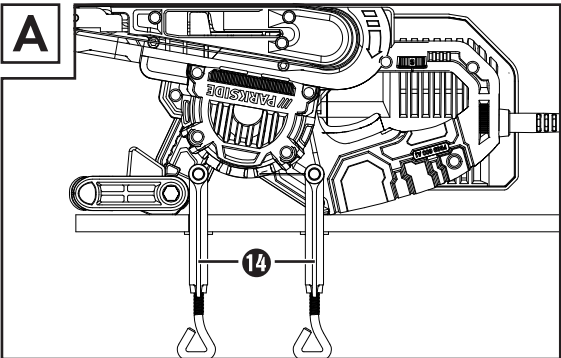
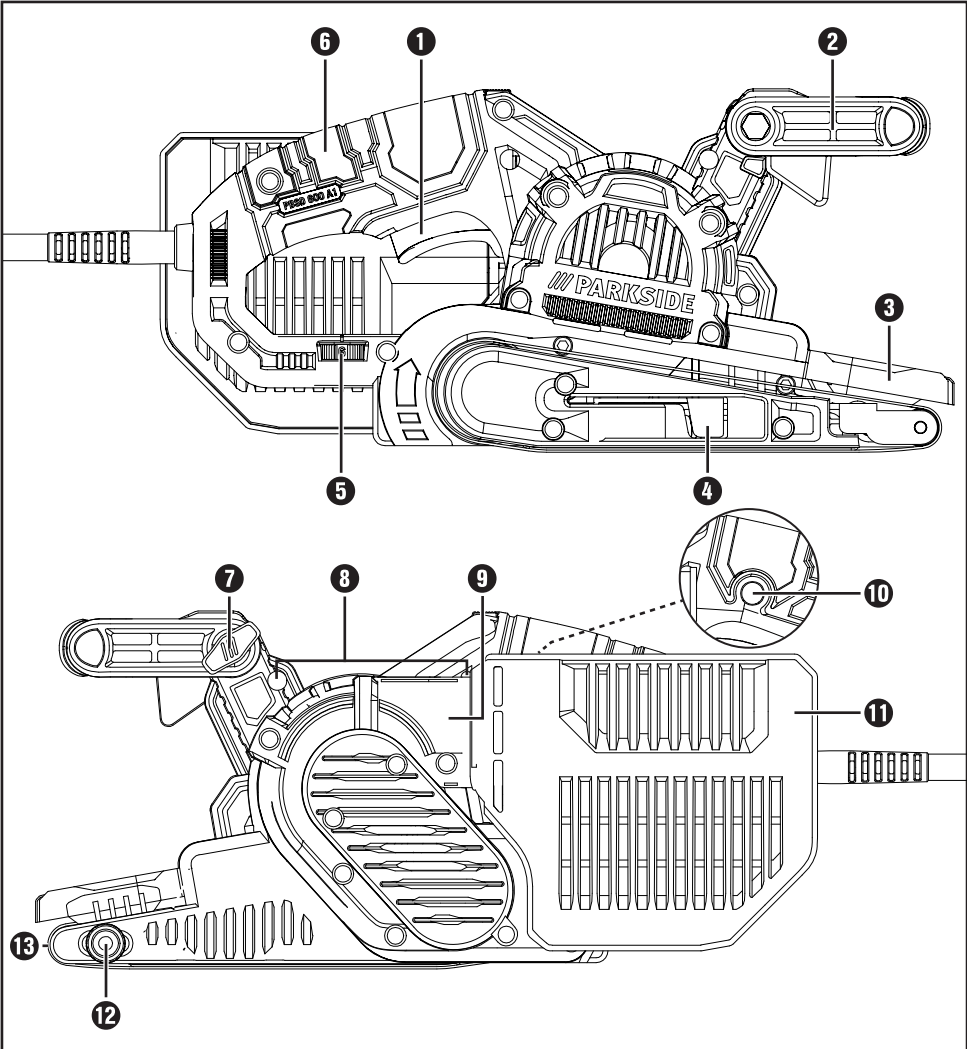
DE AT CH

Klappen Sie vor dem Lesen die Seite mit den Abbildungen aus und machen Sie sich anschließend mit allen Funktionen des Gerätes vertraut.

---

GB/IE/NI	Translation of the original instructions	Page	1
DE/AT/CH	Originalbetriebsanleitung	Seite	13

---



# Contents

<b>Introduction</b> .....	<b>2</b>
Intended use .....	2
Depicted components .....	2
Package contents .....	2
Technical data .....	2
<b>General Power Tool Safety Warnings</b> .....	<b>3</b>
1. Work area safety .....	3
2. Electrical safety .....	3
3. Personal safety .....	4
4. Power tool use and care .....	4
5. Service .....	5
Appliance-specific safety instructions for grinders .....	5
<b>Operation</b> .....	<b>5</b>
Tensioning/replacing the abrasive belt .....	5
Adjusting the additional handle .....	5
Flipping up the front cover .....	6
Attaching/removing a dust extraction unit .....	6
Working procedures .....	7
<b>Use</b> .....	<b>7</b>
Switching on and off .....	7
Emptying the dust collector .....	7
Selecting speed and abrasive belt .....	8
Stationary work .....	8
Tips and tricks .....	9
<b>Maintenance and cleaning</b> .....	<b>9</b>
<b>Disposal</b> .....	<b>9</b>
<b>Kompernass Handels GmbH warranty</b> .....	<b>10</b>
<b>Service</b> .....	<b>11</b>
<b>Importer</b> .....	<b>11</b>
<b>Translation of the original Conformity Declaration</b> .....	<b>12</b>

## BELT SANDER PBSD 600 A1

### Introduction

Congratulations on the purchase of your new appliance. You have chosen a high-quality product. The operating instructions are part of this product. They contain important information about safety, usage and disposal. Before using the product, please familiarise yourself with all operating and safety instructions. Use the product only as described and for the range of applications specified. Please also pass these operating instructions on to any future owner.

### Intended use

The belt grinder is designed for the dry surface sanding of wood, plastic, metal and plaster and painted surfaces (depending on the type of sandpaper used). The appliance may only be used for dry sanding. Please note that you need to use appropriate abrasive belts with different grains for working different materials, and that you may need to adapt the speed to suit the material. The appliance is not intended for commercial use. Any other use of or modification to the appliance is deemed to be improper and carries the risk of serious personal injury. The manufacturer accepts no responsibility for damage(s) attributable to misuse.



### Depicted components

- 1 ON/OFF switch
- 2 Additional handle (rubberised grip)
- 3 Front cover
- 4 Clamping lever for abrasive belt
- 5 Belt speed adjusting wheel
- 6 Handle (rubberised grip)
- 7 Screw for adjusting the handle
- 8 Recesses for screw clamps
- 9 Connection for dust collector
- 10 Locking button for ON/OFF switch
- 11 Dust collector
- 12 Adjustment screw for belt tracking
- 13 Abrasive belt
- 14 Screw clamp
- 15 Reducer
- 16 Dust extraction adapter

### Package contents

- 1 belt sander PBSD 600 A1
- 1 abrasive belt for wood (grain 80)
- 1 dust collector
- 1 dust extraction adapter and reducer (for external dust extraction)
- 2 screw clamps
- 1 set of operating instructions

### Technical data

Rated voltage:	230 V ~50 Hz (AC)
Rated power consumption:	600 W
Idling belt speed:	170–250 m/min
Rated idling speed:	 n <sub>0</sub> 360–560 rpm
Abrasive belt:	75 x 457 mm
Protection class:	II /  (double insulation)

### Noise emission value:

Noise measurement value determined in accordance with EN 60745. The A-rated noise level of the power tool is typically as follows:

Sound pressure level:	$L_{pA} = 91$ dB (A)
Uncertainty:	$K_{pA} = 3$ dB
Sound power level:	$L_{WA} = 102$ dB (A)
Uncertainty:	$K_{WA} = 3$ dB

### Wear hearing protection!

### Total vibration value:

Total vibration value (vector total of three directions) determined in accordance with EN 60745:

Grinding with the grinding disc:  $a_n = 4.2$  m/s<sup>2</sup>  
Uncertainty  $K = 1.5$  m/s<sup>2</sup>

**NOTE**

- ▶ The vibration level specified in these instructions has been measured in accordance with the standardised measuring procedure specified in EN 60745 and can be used to make equipment comparisons. The specified vibration emission value can also be used to make an initial exposure estimate. The vibration emission value varies in accordance with the use of the power tool and may be higher than the value specified in these instructions in some cases. Regular use of the power tool in this way may cause the user to underestimate the vibration.

**⚠ WARNING!**

- ▶ Try to keep the vibration loads as low as possible. Measures to reduce the vibration load are, e.g. wearing gloves and limiting the working time. This applies to all states of operation (e.g. times when the power tool is switched off and times where the power tool is switched on but running without load).



**General Power Tool Safety Warnings**



**⚠ WARNING!**

- ▶ **Read all safety warnings and all instructions.** Failure to follow the warnings and instructions may result in electric shock, fire and/or serious injury.

**Save all warnings and instructions for future reference.**

The term "power tool" in the warnings refers to your mains-operated (corded) power tool or battery-operated (cordless) power tool.

**1. Work area safety**

- Keep work area clean and well lit.**  
Cluttered or dark areas invite accidents.
- Do not operate power tools in explosive atmospheres, such as in the presence of flammable liquids, gases or dust.** Power tools create sparks which may ignite the dust or fumes.
- Keep children and bystanders away while operating a power tool.** Distractions can cause you to lose control.

**2. Electrical safety**

- Power tool plugs must match the outlet.**  
Never modify the plug in any way.  
Do not use any adapter plugs with earthed (grounded) power tools. Unmodified plugs and matching outlets will reduce risk of electric shock.
- Avoid body contact with earthed or grounded surfaces, such as pipes, radiators, ranges and refrigerators.** There is an increased risk of electric shock if your body is earthed or grounded.

- c) Do not expose power tools to rain or wet conditions. Water entering a power tool will increase the risk of electric shock.
  - d) Do not abuse the cord. Never use the cord for carrying, pulling or unplugging the power tool. Keep cord away from heat, oil, sharp edges or moving parts. Damaged or entangled cords increase the risk of electric shock.
  - e) When operating a power tool outdoors, use an extension cord suitable for outdoor use. Use of a cord suitable for outdoor use reduces the risk of electric shock.
  - f) If operating a power tool in a damp location is unavoidable, use a residual current device (RCD) protected supply. Use of an RCD reduces the risk of electric shock.
- f) Dress properly. Do not wear loose clothing or jewellery. Keep your hair, clothing and gloves away from moving parts. Loose clothes, jewellery or long hair can be caught in moving parts.
  - g) If devices are provided for the connection of dust extraction and collection facilities, ensure these are connected and properly used. Use of dust collection can reduce dust-related hazards.

### 3. Personal safety

- a) Stay alert, watch what you are doing and use common sense when operating a power tool. Do not use a power tool while you are tired or under the influence of drugs, alcohol or medication. A moment of inattention while operating power tools may result in serious personal injury.
  - b) Use personal protective equipment. Always wear eye protection. Protective equipment such as dust mask, non-skid safety shoes, hard hat, or hearing protection used for appropriate conditions will reduce personal injuries.
  - c) Prevent unintentional starting. Ensure the switch is in the off-position before connecting to power source and/or battery pack, picking up or carrying the tool. Carrying power tools with your finger on the switch or energising power tools that have the switch on invites accidents.
  - d) Remove any adjusting key or wrench before turning the power tool on. A wrench or a key left attached to a rotating part of the power tool may result in personal injury.
  - e) Do not overreach. Keep proper footing and balance at all times. This enables better control of the power tool in unexpected situations.
- ### 4. Power tool use and care
- a) Do not force the power tool. Use the correct power tool for your application. The correct power tool will do the job better and safer at the rate for which it was designed.
  - b) Do not use the power tool if the switch does not turn it on and off. Any power tool that cannot be controlled with the switch is dangerous and must be repaired.
  - c) Disconnect the plug from the power source and/or the battery pack from the power tool before making any adjustments, changing accessories or storing power tools. Such preventive safety measures reduce the risk of starting the power tool accidentally.
  - d) Store idle power tools out of the reach of children and do not allow persons unfamiliar with the power tool or these instructions to operate the power tool. Power tools are dangerous in the hands of untrained users.
  - e) Maintain power tools. Check for misalignment or binding of moving parts, breakage of parts and any other condition that may affect the power tool's operation. If damaged, have the power tool repaired before use. Many accidents are caused by poorly maintained power tools.
  - f) Keep cutting tools sharp and clean. Properly maintained cutting tools with sharp cutting edges are less likely to bind and are easier to control.
  - g) Use the power tool, accessories and tool bits etc. in accordance with these instructions, taking into account the working conditions and the work to be performed. Use of the power tool for operations different from those intended could result in a hazardous situation.

## 5. Service

- a) Have your power tool serviced by a qualified repair person using only identical replacement parts. This will ensure that the safety of the power tool is maintained.

### Appliance-specific safety instructions for grinders

- Hold the appliance by the insulated handles as the abrasive belt 13 can come into contact with its own power cable. Damage to a live wire may make exposed metal parts of the power tool live and could give the operator an electric shock.

#### WARNING!

- Dusts from materials such as leaded paint, some types of wood and metal can be harmful to your health.
- Contact with or inhalation of these dusts can represent a health hazard for the person operating the appliance and other people in the vicinity.
- Wear safety goggles and a protective dust mask!

## Operation

### Tensioning/replacing the abrasive belt

#### WARNING! RISK OF INJURY

- Always remove the power plug from the wall socket before carrying out any work on the belt grinder.
1. Loosen the clamping device for the abrasive belt by swivelling the clamping lever 4 all the way out. The abrasive belt 13 can now be removed.
  2. Now fit a new abrasive belt 13 or swap the belt to work on a different material or to use a different grain size.  
**IMPORTANT:** The direction of the arrows on the inside of the abrasive belt 13 and on the appliance housing must match.
  3. Push the clamping lever 4 back into its initial position.

#### Manually adjusting the abrasive belt 13:

If the belt tracking is not centred when you switch on the appliance, you may need to manually adjust it.

- ◆ To do this, turn the adjusting screw 12 on the front roller until the abrasive belt 13 is running centred.  
**IMPORTANT:** It is important to ensure that the abrasive belt 13 does not rub against the housing. Check the belt tracking regularly and adjust it with the adjusting screw if required 12.

#### Adjusting the additional handle

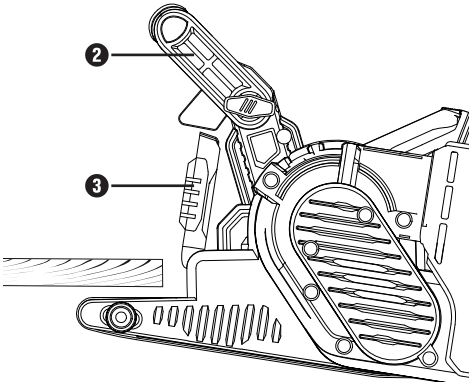
You can position the additional handle 2 in several different positions.

- ◆ To reposition the additional handle 2 undo the screw 7.
- ◆ Move the additional handle 2 to the required position.
- ◆ Retighten the screw 7.



## Flipping up the front cover

You can flip up the front cover **3** to grind in hard-to-reach areas (see illustration).



### **⚠ WARNING!**

- ▶ The front cover **3** can only be flipped upwards if the additional handle **2** is also positioned upwards (see section "Adjusting the additional handle").

- ◆ Flip up the front cover **3**.


## Attaching/removing a dust extraction unit

### **⚠ WARNING! RISK OF EXPLOSION!**

- If there is an explosive dust/air mixture, you must use a specially designed extraction appliance. **RISK OF FIRE DUE TO FLYING SPARKS!** Do not use dust extraction systems (dust collector **11** or vacuum cleaner) when grinding metals.
- Materials containing asbestos must not be processed. Asbestos is a known carcinogen.

### **⚠ WARNING! RISK OF FIRE!**

- When working with power tools which have a dust collector or can be connected to a vacuum cleaner via a vacuum cleaner adapter, there is a risk of fire! In unfavourable conditions, e.g. when sparks are flying while sanding metal or metal residues in wood, wood dust in the dust collector (or the bag of the vacuum cleaner) can spontaneously ignite. This is a particular risk if the wood dust is mixed with paint residues or other chemicals and the workpiece has become hot after being worked for a long time. Therefore, do not allow the workpiece to overheat and always empty the dust box or the dust bag of the vacuum cleaner before taking a break from work.
- Ensure that your workplace is adequately ventilated.
- Observe the regulations applicable in your country regarding the materials to be worked.

-  Wear a dust mask.

### Fitting the dust collector **11**:

- ◆ Push the dust collector **11** onto the dust collector connection **9** from above.

### Dismantling/removing the dust collector:

- ◆ Pull the dust collector **11** off upwards.

### Connecting a dust extraction adapter and reducer for an external extraction appliance:

- ◆ Push the dust extraction adapter **15** onto the connection **9**.
- ◆ Push the reducer **15** for the dust extraction adapter into the adapter fitting **16**.
- ◆ Push the hose from a suitable dust extraction appliance (e.g. a workshop vacuum cleaner) onto the reducer **15** for external vacuum extraction.

### Removing the dust extraction adapter and reducer for an external extraction appliance:

- ◆ Pull off the hose of the dust extraction appliance.
- ◆ Remove the reducer **15** for external dust extraction.
- ◆ Pull the dust extraction adapter **16** upwards off the connection **9**.

### Working procedures

#### A light grinding pressure is sufficient:

- Apply minimal pressure when grinding. The belt grinder's own weight is sufficient for a good grinding result. In addition, working this way helps to reduce the wear on the abrasive belt **13** and the surface of the workpiece will become more smooth.

#### Removal and surface:

- The material removal rate and surface quality are determined by the belt speed and grain strength of the abrasive belt **13** (see also the section "Selecting speed and abrasive belt").

#### Grinding:

- Place the appliance on the workpiece when switched on and work at a moderate feed rate. Guide the grinder in parallel and overlapping sanding motions over the workpiece. To avoid unpleasant transverse grinding marks, always sand in the direction of the grain. After completing the task, lift the appliance from the workpiece and then switch it off.

#### NOTE

- ▶ Always hold the appliance firmly with two hands while working.

## Use

### Switching on and off

While operating the belt grinder, you can choose between instantaneous and continuous operation.

#### Switching to instantaneous operation:

- ◆ Press the ON/OFF switch **1**.

#### Switching off instantaneous operation:

- ◆ Release the ON/OFF switch **1**.

#### Switching to continuous operation:

- ◆ Press the ON/OFF switch **1**, keep it pressed in and then press the lock button **10**.

#### Switching off continuous operation:

- ◆ Press the ON/OFF switch **1** and then release it.

### Emptying the dust collector

The dust collector **11** should be emptied after every 10 minutes of operation at least.

- ◆ Pull the dust collector **11** off (see section "Attaching/removing a dust extraction unit")
- ◆ Shake the dust collector **11** over a rubbish bin to empty it.
- ◆ Fit the dust collector **11** back onto the appliance.

## Selecting speed and abrasive belt

You can use the belt speed adjusting wheel **5** to adjust the speed, even while the appliance is running. The optimum belt speed is dependent on the workpiece or material being processed. We recommend carrying out a practice run to determine the correct speed. In the table below, you will find some recommended values which will help you determine which belt and speed to use for which job.

Material/working area	Softwood
Rough sanding (grain size)	60
Finishing (grain size)	240
Speed preselection	high (5-6)

Material/working area	Hardwood
Rough sanding (grain size)	60
Finishing (grain size)	180
Speed preselection	high (5-6)

Material/working area	Chipboard
Rough sanding (grain size)	60
Finishing (grain size)	150
Speed preselection	high (5-6)

Material/working area	Removing paint/varnish
Rough sanding (grain size)	60
Finishing (grain size)	--
Speed preselection	high (5-6)

Material/working area	Rubbing down paintwork/varnish
Rough sanding (grain size)	150
Finishing (grain size)	320
Speed preselection	low (1-2)

Material/working area	Removing rust from steel
Rough sanding (grain size)	40
Finishing (grain size)	120
Speed preselection	medium/high (3-4)

Material/working area	Plastics
Rough sanding (grain size)	120
Finishing (grain size)	240
Speed preselection	low/medium (2-3)

Material/working area	Non-ferrous metals (e.g. aluminium)
Rough sanding (grain size)	80
Finishing (grain size)	150
Speed preselection	medium/high (3-4)

## Stationary work

- ◆ Turn the additional handle **2** to the horizontal position.
- ◆ Turn the power tool as shown in the illustration and place it on a stable worktop.
- ◆ Fit the two screw clamps **14** in the recesses **8** provided and clamp the power tool tightly.

## Tips and tricks

- Never use the same abrasive belt **13** to work wood and metal.
- Worn or cracked abrasive belts can damage the workpiece. Therefore, be sure to replace worn abrasive belts before starting work.
- Always hang up the abrasive belts to store them, as kinks etc. can make them unusable.

## Maintenance and cleaning



**WARNING! RISK OF INJURY! Switch off the appliance and pull out the power plug before starting any work on the appliance.**

The belt grinder is maintenance-free.

- Always clean the appliance directly after finishing work.
- Use a dry cloth to clean the housing. Under no circumstances should you use fuel, detergents, solvents or abrasive cleaners.

### Emptying/cleaning the dust collector **11**:

- ◆ Pull the dust collector **11** off the appliance.
- ◆ Empty the dust collector **11** completely by knocking out the contents and then push the dust collector **11** back onto the appliance.
- ◆ Ensure ventilation openings are always free.
- ◆ Remove any adhering grinding dust with a brush.

## Disposal



The packaging is made from environmentally friendly material and can be disposed of at your local recycling plant.



**Do not dispose of power tools in your normal domestic waste!**

European Directive 2012/19/EU requires that worn-out power tools be collected separately and recycled in an environmentally compatible manner.

Your local community or municipal authorities can provide information on how to dispose of the appliance.

## **Kompernass Handels GmbH**

### **warranty**

Dear Customer,

This appliance has a 3-year warranty valid from the date of purchase. If this product has any faults, you, the buyer, have certain statutory rights. Your statutory rights are not restricted in any way by the warranty described below.

#### **Warranty conditions**

The validity period of the warranty starts from the date of purchase. Please keep your original receipt in a safe place. This document will be required as proof of purchase.

If any material or production fault occurs within three years of the date of purchase of the product, we will either repair or replace the product for you at our discretion. This warranty service is dependent on you presenting the defective appliance and the proof of purchase (receipt) and a short written description of the fault and its time of occurrence.

If the defect is covered by the warranty, your product will either be repaired or replaced by us. The repair or replacement of a product does not signify the beginning of a new warranty period.

#### **Warranty period and statutory claims for defects**

The warranty period is not prolonged by repairs effected under the warranty. This also applies to replaced and repaired components. Any damage and defects present at the time of purchase must be reported immediately after unpacking. Repairs carried out after expiry of the warranty period shall be subject to a fee.

#### **Scope of the warranty**

This appliance has been manufactured in accordance with strict quality guidelines and inspected meticulously prior to delivery.

The warranty covers material faults or production faults. The warranty does not extend to product parts subject to normal wear and tear or fragile parts such as switches, batteries, baking moulds or parts made of glass.

The warranty does not apply if the product has been damaged, improperly used or improperly maintained. The directions in the operating instructions for the product regarding proper use of the product are to be strictly followed. Uses and actions that are discouraged in the operating instructions or which are warned against must be avoided.

This product is intended solely for private use and not for commercial purposes. The warranty shall be deemed void in cases of misuse or improper handling, use of force and modifications/repairs which have not been carried out by one of our authorised Service centres.

#### **Warranty claim procedure**

To ensure quick processing of your case, please observe the following instructions:

- Please have the till receipt and the item number (e.g. IAN 12345) available as proof of purchase.
- You will find the item number on the type plate, an engraving on the front page of the instructions (bottom left), or as a sticker on the rear or bottom of the appliance.
- If functional or other defects occur, please contact the service department listed either by **telephone** or by **e-mail**.
- You can return a defective product to us free of charge to the service address that will be provided to you. Ensure that you enclose the proof of purchase (till receipt) and information about what the defect is and when it occurred.



You can download these instructions along with many other manuals, product videos and software on [www.lidl-service.com](http://www.lidl-service.com).

## Service

### WARNING!

- Have the power tool repaired by the service centre or a qualified electrician and only using genuine replacement parts. This will ensure that the safety of the appliance is maintained.

### WARNING!

- Always ensure that the power plug or the mains cable is replaced only by the manufacturer of the appliance or by an approved customer service provider. This will ensure that the safety of the appliance is maintained.

### NOTE

- ▶ Replacement parts not listed (such as carbon brushes, switches, dust collector) can be ordered via our service hotline.

#### Service Great Britain

Tel.: 0871 5000 720 (£ 0.10/Min.)

E-Mail: kompernass@lidl.co.uk

#### Service Ireland

Tel.: 1890 930 034

(0,08 EUR/Min., (peak))

(0,06 EUR/Min., (off peak))

E-Mail: kompernass@lidl.ie

IAN 285794

## Importer

Please note that the following address is not the service address. Please use the service address provided in the operating instructions.

KOMPERNASS HANDELS GMBH

BURGSTRASSE 21

DE-44867 BOCHUM

GERMANY

[www.kompernass.com](http://www.kompernass.com)

## Translation of the original Conformity Declaration

We, KOMPERNASS HANDELS GMBH, documents officer: Mr. Semi Uguzlu, BURGSTR. 21, DE-44867 BOCHUM, GERMANY, hereby declare that this product complies with the following standards, normative documents and EC directives:

**Machinery Directive**  
**(2006/42/EC)**

**EMC (Electromagnetic Compatibility)**  
**(2014/30/EU)**

**RoHS Directive**  
**(2011/65/EU)\***

\*The manufacturer bears the full responsibility for compliance with this conformity declaration. The object of the declaration described above complies with the requirements of the Directive 2011/65/EU of the European Parliament and Council of 8 June 2011 on the limitations of use of certain dangerous substances in electrical and electronic appliances.

### Applied harmonised standards:

EN 60745-1:2009/A11:2010

EN 60745-2-4:2009/A11:2011

EN 55014-1:2006/A2:2011

EN 55014-2:2015

EN 61000-3-2:2014

EN 61000-3-3:2013

### Type designation of machine:

Belt sander PBSD 600 A1

### Year of manufacture: 03-2017

### Serial number: IAN 285794

Bochum, 13/03/2017



Semi Uguzlu

- Quality Manager -

We reserve the right to make technical changes in the context of further product development.

# Inhaltsverzeichnis

<b>Einleitung</b> .....	<b>14</b>
Bestimmungsgemäßer Gebrauch .....	14
Abgebildete Komponenten .....	14
Lieferumfang .....	14
Technische Daten .....	14
<b>Allgemeine Sicherheitshinweise für Elektrowerkzeuge</b> .....	<b>15</b>
1. Arbeitsplatz-Sicherheit .....	15
2. Elektrische Sicherheit .....	15
3. Sicherheit von Personen .....	16
4. Verwendung und Behandlung des Elektrowerkzeugs .....	16
5. Service .....	17
Gerätespezifische Sicherheitshinweise für Schleifer .....	17
<b>Inbetriebnahme</b> .....	<b>17</b>
Schleifband einspannen /wechseln .....	17
Zusatzhandgriff einstellen .....	17
Frontabdeckung hochklappen .....	18
Staubabsaugung anbringen/entfernen .....	18
Arbeitshinweise .....	19
<b>Bedienung</b> .....	<b>19</b>
Ein- und ausschalten .....	19
Staubbox entleeren .....	19
Drehzahl und Schleifband wählen .....	20
Stationäres Arbeiten .....	20
Tipps und Tricks .....	20
<b>Wartung und Reinigung</b> .....	<b>21</b>
<b>Entsorgung</b> .....	<b>21</b>
<b>Garantie der Kompernaß Handels GmbH</b> .....	<b>21</b>
<b>Service</b> .....	<b>23</b>
<b>Importeur</b> .....	<b>23</b>
<b>Original-Konformitätserklärung</b> .....	<b>24</b>



## **BANDSCHLEIFER PBSD 600 A1**

### **Einleitung**

Wir beglückwünschen Sie zum Kauf Ihres neuen Gerätes. Sie haben sich damit für ein hochwertiges Produkt entschieden. Die Bedienungsanleitung ist Teil dieses Produkts. Sie enthält wichtige Hinweise für Sicherheit, Gebrauch und Entsorgung. Machen Sie sich vor der Benutzung des Produkts mit allen Bedien- und Sicherheitshinweisen vertraut. Benutzen Sie das Produkt nur wie beschrieben und für die angegebenen Einsatzbereiche. Händigen Sie alle Unterlagen bei Weitergabe des Produkts an Dritte mit aus.

### **Bestimmungsgemäßer Gebrauch**

Der Bandschleifer ist - je nach Schleifpapier - für trockenes Flächenschleifen von Holz, Kunststoff, Metall und Spachtelmasse sowie lackierten Oberflächen ausgelegt. Das Gerät darf nur für Trockenschliff verwendet werden. Beachten Sie bitte, dass Sie zur Bearbeitung der verschiedenen Materialien entsprechende Schleifblätter mit unterschiedlicher Körnung einsetzen und die Drehzahl ebenfalls dem Material anpassen. Das Gerät ist nicht für den gewerblichen Einsatz bestimmt. Jede andere Verwendung oder Veränderung der Maschine gilt als nicht bestimmungsgemäß und birgt erhebliche Unfallgefahren. Für aus bestimmungswidriger Verwendung entstandene Schäden übernimmt der Hersteller keine Haftung.


### **Abgebildete Komponenten**

- 1 EIN- / AUS-Schalter
- 2 Zusatzhandgriff (Gummierte Grifffläche)
- 3 Frontabdeckung
- 4 Spannhebel für Schleifband
- 5 Stellrad Bandgeschwindigkeit
- 6 Handgriff (Gummierte Grifffläche)
- 7 Schraube für Handgriffverstellung
- 8 Aussparungen für Schraubzwinge
- 9 Anschluss für Staubbox
- 10 Feststelltaste für EIN- / AUS-Schalter
- 11 Staubbox
- 12 Justierschraube für Bandlauf
- 13 Schleifband
- 14 Schraubzwinge
- 15 Reduzierstück
- 16 Absaugadapter

### **Lieferumfang**

- 1 Bandschleifer PBSD 600 A1
- 1 Schleifband für Holz (Körnung 80)
- 1 Staubbox
- 1 Absaugadapter und Reduzierstück (zur externen Staubabsaugung)
- 2 Schraubzwingen
- 1 Bedienungsanleitung

### **Technische Daten**

Bemessungsspannung:	230 V ~ 50 Hz (Wechselstrom)
Bemessungsaufnahme:	600 W
Leerlauf-	
Bandgeschwindigkeit:	170-250 m / min
Bemessungs-	
Leerlaufdrehzahl:	 n <sub>0</sub> 360-560 min <sup>-1</sup>
Schleifband:	75 x 457 mm
Schutzklasse:	II/□ (Doppelisolierung)

### **Geräuschemissionswert:**

Messwert für Geräusch ermittelt entsprechend EN 60745. Der A-bewertete Geräuschpegel des Elektrowerkzeugs beträgt typischerweise:

Schalldruckpegel:	L <sub>pA</sub> = 91 dB (A)
Unsicherheit:	K <sub>pA</sub> = 3 dB
Schallleistungspegel:	L <sub>WA</sub> = 102 dB (A)
Unsicherheit:	K <sub>WA</sub> = 3 dB

### **Gehörschutz tragen!**

### **Schwingungsgesamtwert:**

Schwingungsgesamtwerte (Vektorsumme dreier Richtungen) ermittelt entsprechend EN 60745:

Schleifen mit Schleifteller: a<sub>h</sub> = 4,2 m/s<sup>2</sup>

Unsicherheit K = 1,5 m/s<sup>2</sup>

**HINWEIS**

- ▶ Der in diesen Anweisungen angegebene Schwingungspegel ist entsprechend einem in EN 60745 genormten Messverfahren gemessen worden und kann für den Gerätevergleich verwendet werden. Der angegebene Schwingungsemissionswert kann auch zu einer einleitenden Einschätzung der Aussetzung verwendet werden. Der Schwingungsemissionswert wird sich entsprechend dem Einsatz des Elektrowerkzeugs verändern und kann in manchen Fällen über dem in diesen Anweisungen angegebenen Wert liegen. Die Schwingungsbelastung könnte unterschätzt werden, wenn das Elektrowerkzeug regelmäßig in solcher Weise verwendet wird.

**⚠️ WARNUNG!**

- ▶ Versuchen Sie, die Belastung durch Vibrationen so gering wie möglich zu halten. Beispielhafte Maßnahmen zur Verringerung der Vibrationsbelastung sind das Tragen von Handschuhen beim Gebrauch des Werkzeugs und die Begrenzung der Arbeitszeit. Dabei sind alle Anteile des Betriebszyklus zu berücksichtigen (Beispielsweise Zeiten, in denen das Elektrowerkzeug abgeschaltet ist, und solche, in denen es zwar eingeschaltet ist, aber ohne Belastung läuft).



**Allgemeine Sicherheitshinweise für Elektrowerkzeuge**



**⚠️ WARNUNG!**

- ▶ **Lesen Sie alle Sicherheitshinweise und Anweisungen.** Versäumnisse bei der Einhaltung der Sicherheitshinweise und Anweisungen können elektrischen Schlag, Brand und/oder schwere Verletzungen verursachen.

**Bewahren Sie alle Sicherheitshinweise und Anweisungen für die Zukunft auf.**

Der in den Sicherheitshinweisen verwendete Begriff „Elektrowerkzeug“ bezieht sich auf netzbetriebene Elektrowerkzeuge (mit Netzkabel) und auf akkubetriebene Elektrowerkzeuge (ohne Netzkabel).

**1. Arbeitsplatz-Sicherheit**

- Halten Sie Ihren Arbeitsbereich sauber und beleuchtet.** Unordnung und unbeleuchtete Arbeitsbereiche können zu Unfällen führen.
- Arbeiten Sie mit dem Elektrowerkzeug nicht in explosionsgefährdeter Umgebung, in der sich brennbare Flüssigkeiten, Gase oder Stäube befinden.** Elektrowerkzeuge erzeugen Funken, die den Staub oder die Dämpfe entzünden können.
- Halten Sie Kinder und andere Personen während der Benutzung des Elektrowerkzeugs fern.** Bei Ablenkung können Sie die Kontrolle über das Gerät verlieren.

**2. Elektrische Sicherheit**

- Der Anschlussstecker des Elektrowerkzeugs muss in die Steckdose passen.** Der Stecker darf in keiner Weise verändert werden. **Verwenden Sie keine Adapterstecker gemeinsam mit schutzgeerdeten Elektrowerkzeugen.** Unveränderte Stecker und passende Steckdosen verringern das Risiko eines elektrischen Schlages.
- Vermeiden Sie Körperkontakt mit geerdeten Oberflächen, wie von Rohren, Heizungen, Herden und Kühlschränken.** Es besteht ein erhöhtes Risiko durch elektrischen Schlag, wenn Ihr Körper geerdet ist.

- c) Halten Sie Elektrowerkzeuge von Regen oder Nässe fern. Das Eindringen von Wasser in ein Elektrogerät erhöht das Risiko eines elektrischen Schlages.
- d) Zweckentfremden Sie das Kabel nicht, um das Elektrowerkzeug zu tragen, aufzuhängen oder um den Stecker aus der Steckdose zu ziehen. Halten Sie das Kabel fern von Hitze, Öl, scharfen Kanten oder sich bewegenden Geräteteilen. Beschädigte oder verwickelte Kabel erhöhen das Risiko eines elektrischen Schlages.
- e) Wenn Sie mit einem Elektrowerkzeug im Freien arbeiten, verwenden Sie nur Verlängerungskabel, die auch für den Außenbereich zugelassen sind. Die Anwendung eines für den Außenbereich geeigneten Verlängerungskabels verringert das Risiko eines elektrischen Schlages.
- f) Wenn der Betrieb des Elektrowerkzeuges in feuchter Umgebung nicht vermeidbar ist, verwenden Sie einen Fehlerstromschutzschalter. Der Einsatz eines Fehlerstromschutzschalters vermindert das Risiko eines elektrischen Schlages.
- d) Entfernen Sie Einstellwerkzeuge oder Schraubenschlüssel, bevor Sie das Elektrowerkzeug einschalten. Ein Werkzeug oder Schlüssel, der sich in einem drehenden Geräteteil befindet, kann zu Verletzungen führen.
- e) Vermeiden Sie eine abnormale Körperhaltung. Sorgen Sie für einen sicheren Stand und halten Sie jederzeit das Gleichgewicht. Dadurch können Sie das Elektrowerkzeug in unerwarteten Situationen besser kontrollieren.
- f) Tragen Sie geeignete Kleidung. Tragen Sie keine weite Kleidung oder Schmuck. Halten Sie Haare, Kleidung und Handschuhe fern von sich bewegenden Teilen. Lockere Kleidung, Schmuck oder lange Haare können von sich bewegenden Teilen erfasst werden.
- g) Wenn Staubabsaug- und -auffangeinrichtungen montiert werden können, vergewissern Sie sich, dass diese angeschlossen sind und richtig verwendet werden. Die Verwendung einer Staubabsaugung kann Gefährdungen durch Staub verringern.

### 3. Sicherheit von Personen

- a) Seien Sie stets aufmerksam, achten Sie darauf, was Sie tun und gehen Sie mit Vernunft an die Arbeit mit einem Elektrowerkzeug. Benutzen Sie kein Elektrowerkzeug, wenn Sie müde sind oder unter dem Einfluss von Drogen, Alkohol oder Medikamenten stehen. Ein Moment der Unachtsamkeit beim Gebrauch des Elektrowerkzeuges kann zu ernsthaften Verletzungen führen.
- b) Tragen Sie persönliche Schutzausrüstung und immer eine Schutzbrille. Das Tragen persönlicher Schutzausrüstung wie Staubmaske, rutschfeste Sicherheitsschuhe, Schutzhelm oder Gehörschutz, je nach Art und Einsatz des Elektrowerkzeuges, verringert das Risiko von Verletzungen.
- c) Vermeiden Sie eine unbeabsichtigte Inbetriebnahme. Vergewissern Sie sich, dass das Elektrowerkzeug ausgeschaltet ist, bevor Sie es an die Stromversorgung und / oder den Akku anschließen, es aufnehmen oder tragen. Wenn Sie beim Tragen des Elektrowerkzeuges den Finger am Schalter haben oder das Gerät bereits eingeschaltet an die Stromversorgung anschließen, kann dies zu Unfällen führen.

### 4. Verwendung und Behandlung des Elektrowerkzeugs

- a) Überlasten Sie das Gerät nicht. Verwenden Sie für Ihre Arbeit das dafür bestimmte Elektrowerkzeug. Mit dem passenden Elektrowerkzeug arbeiten Sie besser und sicherer im angegebenen Leistungsbereich.
- b) Benutzen Sie kein Elektrowerkzeug, dessen Schalter defekt ist. Ein Elektrowerkzeug, das sich nicht mehr ein- oder ausschalten lässt, ist gefährlich und muss repariert werden.
- c) Ziehen Sie den Stecker aus der Steckdose und / oder entfernen Sie den Akku, bevor Sie Geräteeinstellungen vornehmen, Zubehörteile wechseln oder das Gerät weglegen. Diese Vorsichtsmaßnahme verhindert den unbeabsichtigten Start des Elektrowerkzeuges.
- d) Bewahren Sie unbenutzte Elektrowerkzeuge außerhalb der Reichweite von Kindern auf. Lassen Sie Personen das Gerät nicht benutzen, die mit diesem nicht vertraut sind oder diese Anweisungen nicht gelesen haben. Elektrowerkzeuge sind gefährlich, wenn sie von unerfahrenen Personen benutzt werden.

- e) Pflegen Sie Elektrowerkzeuge mit Sorgfalt. Kontrollieren Sie, ob bewegliche Teile einwandfrei funktionieren und nicht klemmen, ob Teile gebrochen oder so beschädigt sind, dass die Funktion des Elektrowerkzeuges beeinträchtigt ist. Lassen Sie beschädigte Teile vor dem Einsatz des Gerätes reparieren. Viele Unfälle haben ihre Ursache in schlecht gewarteten Elektrowerkzeugen.
- f) Halten Sie Schneidwerkzeuge scharf und sauber. Sorgfältig gepflegte Schneidwerkzeuge mit scharfen Schneidkanten verklemmen sich weniger und sind leichter zu führen.
- g) Verwenden Sie Elektrowerkzeug, Zubehör, Einsatzwerkzeuge usw. entsprechend diesen Anweisungen. Berücksichtigen Sie dabei die Arbeitsbedingungen und die auszuführende Tätigkeit. Der Gebrauch von Elektrowerkzeugen für andere als die vorgesehenen Anwendungen kann zu gefährlichen Situationen führen.

## 5. Service

- a) Lassen Sie Ihr Elektrowerkzeug nur von qualifiziertem Fachpersonal und nur mit Original-Ersatzteilen reparieren. Damit wird sichergestellt, dass die Sicherheit des Elektrowerkzeugs erhalten bleibt.

## Gerätespezifische Sicherheitshinweise für Schleifer

- Halten Sie das Gerät an den isolierten Griffflächen, da das Schleifband **13** das eigene Netzkabel treffen kann. Das Beschädigen einer spannungsführenden Leitung kann metallene Geräteteile unter Spannung setzen und zu einem elektrischen Schlag führen.

### **⚠️ WARNUNG!**

- Stäube von Materialien wie bleihaltigem Anstrich, einigen Holzarten und Metall können gesundheitsschädlich sein.
- Die Berührung oder das Einatmen dieser Stäube kann eine Gefährdung für die Bedienperson oder in der Nähe befindliche Personen darstellen.
- Tragen Sie Schutzbrille und Staubschutzmaske!

## Inbetriebnahme

### Schleifband einspannen / wechseln

#### **⚠️ WARNUNG! VERLETZUNGSGEFAHR**

- Ziehen Sie den Netzstecker immer aus der Steckdose, bevor Sie Arbeiten am Bandschleifer durchführen.
1. Lösen Sie die Spannvorrichtung für das Schleifband, indem Sie den Spannhebel **4** ganz herausschwenken. Das Schleifband **13** lässt sich entnehmen.
  2. Legen Sie nun ein neues Schleifband **13** auf bzw. wechseln Sie es aus, um anderes Material zu bearbeiten oder die Kornstärke zu wechseln.  
**WICHTIG:** Die Pfeilrichtungen auf der Innenseite des Schleifbandes **13** und am Gerätegehäuse müssen übereinstimmen.
  3. Drücken Sie den Spannhebel **4** wieder in die Ausgangsposition.

### Schleifband **13** manuell justieren:

Wird der Bandlauf nach dem Einschalten nicht zentriert, müssen Sie den Bandlauf ggf. manuell nachstellen.

- ◆ Drehen Sie dazu die Justierschraube **12** an der vorderen Rolle, bis das Schleifband **13** zentriert läuft.  
**WICHTIG:** Achten Sie unbedingt darauf, dass sich das Schleifband **13** nicht am Gehäuse einschleift. Prüfen Sie regelmäßig den Bandlauf und regeln Sie ihn, wenn nötig, mit der Justierschraube **12** nach.

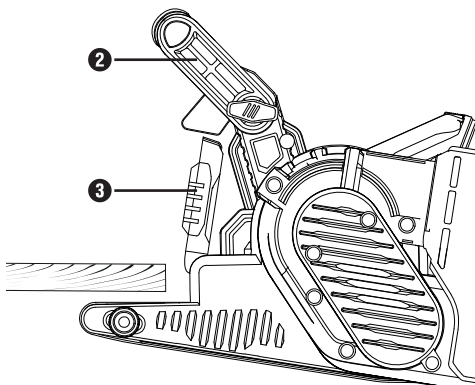
### Zusatzhandgriff einstellen

Sie können den Zusatzhandgriff **2** in mehrere Positionen einstellen.

- ◆ Lösen Sie zum Verstellen des Zusatzhandgriffes **2** die Schraube **7**.
- ◆ Stellen Sie den Zusatzhandgriff **2** in die gewünschte Position ein.
- ◆ Ziehen Sie die Schraube **7** wieder fest.

## Frontabdeckung hochklappen

Sie können die Frontabdeckung **3** zum Schleifen an schwer erreichbaren Stellen hochklappen (siehe Abbildung).



### **⚠️ WARNUNG!**

- ▶ Die Frontabdeckung **3** kann nur hochgeklappt werden, wenn der Zusatzhandgriff **2** ebenfalls nach oben geklappt wurde (siehe Kapitel „Zusatzhandgriff einstellen“).

- ◆ Klappen Sie die Frontabdeckung **3** nach oben.

## Staubabsaugung anbringen/entfernen

### **⚠️ WARNUNG! EXPLOSIONSGEFAHR!**

- Bei explosivem Staub / Luftgemisch müssen Sie einen dazu speziell geeigneten Absauger verwenden. **BRANDGEFAHR DURCH FUNKENFLUG!** Verwenden Sie beim Schleifen von Metallen keine Staubabsaugung (Staubbox **11** oder Staubsauger).
- Asbesthaltiges Material darf nicht bearbeitet werden. Asbest gilt als krebserregend.

### **⚠️ WARNUNG! BRANDGEFAHR!**

- Beim Arbeiten mit Elektrogeräten, die über eine Staubfangbox verfügen oder durch eine Staubabsaugvorrichtung mit dem Staubsauger verbunden werden können, besteht Brandgefahr! Unter ungünstigen Bedingungen, wie z. B. bei Funkenflug - beim Schleifen von Metall oder Metallresten in Holz - kann sich Holzstaub in der Staubfangbox (oder im Staubbeutel des Staubsaugers) selbst entzünden. Dies kann insbesondere dann geschehen, wenn der Holzstaub mit Lackresten oder anderen chemischen Stoffen vermischt ist und das Schleifgut nach langem Arbeiten heiß ist. Vermeiden Sie deshalb unbedingt eine Überhitzung des Schleifguts und des Gerätes und entleeren Sie vor Arbeitspausen stets die Staubfangbox bzw. den Staubbeutel des Staubsaugers.
- Sorgen Sie für gute Belüftung des Arbeitsplatzes.
- Beachten Sie in Ihrem Land gültige Vorschriften für die zu bearbeitenden Materialien.



- Tragen Sie eine Staubschutzmaske.

### Staubbox **11** anbringen:

- ◆ Schieben Sie die Staubbox **11** von oben auf den Anschluss **9** für die Staubbox.

### Staubbox demontieren / abnehmen:

- ◆ Ziehen Sie die Staubbox **11** nach oben hin ab.

### Absaugadapter und Reduzierstück zur Fremdabsaugung anschließen:

- ◆ Schieben Sie den Absaugadapter **16** auf den Anschluss **9**.
- ◆ Schieben Sie das Reduzierstück **15** zur Fremdabsaugung in den Absaugadapter **16**.
- ◆ Schieben Sie den Schlauch einer zulässigen Staubabsaugvorrichtung (z. B. eines Werkstattstaubsaugers) auf das Reduzierstück **15** zur Fremdabsaugung.

### Absaugadapter und Reduzierstück zur Fremdaugung abnehmen:

- ◆ Ziehen Sie den Schlauch der Staubsaugvorrichtung ab.
- ◆ Ziehen Sie das Reduzierstück **15** zur Fremdaugung ab.
- ◆ Ziehen Sie den Absaugadapter **16** von dem Anschluss **9** nach oben hin ab.

### Arbeitshinweise

#### Geringer Schleifdruck genügt:

- Arbeiten Sie mit geringem Schleifdruck. Das Eigengewicht des Bandschleifers reicht für gute Schleifleistungen aus. Zusätzlich schonen Sie durch diese Arbeitsweise den Verschleiß des Schleifbandes **13** und die Oberfläche des Werkstückes wird glatter.

#### Abtrag und Oberfläche:

- Die Abtragsleistung und die Oberflächengüte werden von der Bandgeschwindigkeit und der Kornstärke des Schleifbandes **13** bestimmt (siehe auch Abschnitt „Drehzahl und Schleifband wählen“).

#### Schleifvorgang:

- Platzieren Sie das Gerät eingeschaltet auf dem Werkstück und arbeiten Sie mit mäßigem Vorschub. Führen Sie den Schleifvorgang parallel und überlappend zu den Schleifbahnen durch. Zur Vermeidung von störenden, querlaufenden Schleifspuren nur in Faserrichtung schleifen. Heben Sie das Gerät nach der Bearbeitung vom Werkstück ab und schalten Sie es erst dann aus.

### HINWEIS

- ▶ Halten Sie das Gerät während der Arbeit immer mit beiden Händen fest.

## Bedienung

### Ein- und ausschalten

Sie können beim Betrieb des Bandschleifers zwischen Moment- und Dauerbetrieb auswählen.

#### Momentbetrieb einschalten:

- ◆ Drücken Sie den EIN- / AUS-Schalter **1**.

#### Momentbetrieb ausschalten:

- ◆ Lassen Sie den EIN- / AUS-Schalter **1** los.

#### Dauerbetrieb einschalten:

- ◆ Drücken Sie den EIN- / AUS-Schalter **1**, halten Sie ihn gedrückt und drücken Sie die Feststelltaste **10**.

#### Dauerbetrieb ausschalten:

- ◆ Drücken Sie den EIN- / AUS-Schalter **1** und lassen Sie ihn los.

### Staubbox entleeren

Die Staubbox **11** sollte während des Betriebs alle 10 Minuten entleert werden.

- ◆ Ziehen Sie die Staubbox **11** ab (siehe Kapitel „Staubabsaugung anbringen/entfernen“)
- ◆ Schütteln Sie die Staubbox **11** über einen Abfalleimer, um diese zu entleeren.
- ◆ Bringen Sie die Staubbox **11** wieder am Gerät an.

## Drehzahl und Schleifband wählen

Mit dem Stellrad Bandgeschwindigkeit **5** können Sie die Drehzahl auch bei laufendem Gerät wählen. Die optimale Bandgeschwindigkeit ist abhängig von dem zu bearbeitenden Werkstück bzw. Material. Ermitteln Sie die jeweils beste Drehzahl immer selbst in einem praktischen Versuch. In der nachfolgenden Tabelle finden Sie unverbindliche Werte, die Ihnen die Ermittlung erleichtern.

Werkstoff / Arbeitsbereich	Weichholz
Grobschliff (Körnung)	60
Feinschliff (Körnung)	240
Drehzahlvorwahl	hoch (5-6)

Werkstoff / Arbeitsbereich	Hartholz
Grobschliff (Körnung)	60
Feinschliff (Körnung)	180
Drehzahlvorwahl	hoch (5-6)

Werkstoff / Arbeitsbereich	Spanplatten
Grobschliff (Körnung)	60
Feinschliff (Körnung)	150
Drehzahlvorwahl	hoch (5-6)

Werkstoff / Arbeitsbereich	Farbe / Lacke entfernen
Grobschliff (Körnung)	60
Feinschliff (Körnung)	--
Drehzahlvorwahl	hoch (5-6)

Werkstoff / Arbeitsbereich	Lacke anschleifen
Grobschliff (Körnung)	150
Feinschliff (Körnung)	320
Drehzahlvorwahl	niedrig (1-2)

Werkstoff / Arbeitsbereich	Stahl entrostet
Grobschliff (Körnung)	40
Feinschliff (Körnung)	120
Drehzahlvorwahl	mittel / hoch (3-4)

Werkstoff / Arbeitsbereich	Kunststoffe
Grobschliff (Körnung)	120
Feinschliff (Körnung)	240
Drehzahlvorwahl	niedrig / mittel (2-3)

Werkstoff / Arbeitsbereich	Nichteisen-Metalle (z. B. Alu)
Grobschliff (Körnung)	80
Feinschliff (Körnung)	150
Drehzahlvorwahl	mittel / hoch (3-4)

## Stationäres Arbeiten

- ◆ Bringen Sie den Zusatzhandgriff **2** in die Horizontale Position.
- ◆ Drehen Sie das Elektrowerkzeug wie in der Abbildung A gezeigt um und legen Sie es auf eine stabile Arbeitsplatte.
- ◆ Setzen Sie zwei Schraubzwingen **14** in die dafür vorgesehenen Aussparungen **8** ein und spannen Sie das Elektrowerkzeug fest.

## Tipps und Tricks

- Niemals mit dem selben Schleifband **15** Holz und Metall bearbeiten.
- Verschlissene oder eingerissene Schleifbänder können das Werkstück beschädigen. Wechseln Sie die Schleifbänder deshalb rechtzeitig aus.
- Bewahren Sie Schleifbänder nur hängend auf, da sie durch Knicke etc. unbrauchbar werden.

## Wartung und Reinigung



**WARNUNG! VERLETZUNGSGEFAHR!**  
Schalten Sie vor allen Arbeiten am Gerät das Gerät aus und ziehen Sie den Netzstecker.

Der Bandschleifer ist wartungsfrei.

- Reinigen Sie das Gerät direkt nach Abschluss der Arbeit.
- Verwenden Sie zur Reinigung des Gerätes ein trockenes Tuch und keinesfalls Benzin, Lösungsmittel oder Reiniger, die Kunststoff angreifen.

### **Staubbox 11 entleeren / reinigen:**

- ◆ Ziehen Sie die Staubbox 11 vom Gerät ab.
- ◆ Leeren Sie die Staubbox 11 vollständig durch Ausklopfen und stecken Sie die Staubbox 11 wieder auf das Gerät.
- ◆ Halten Sie Lüftungsöffnungen immer frei.
- ◆ Entfernen Sie anhaftenden Schleifstaub mit einem Pinsel.

## Entsorgung



Die Verpackung besteht aus umweltfreundlichen Materialien, die Sie über die örtlichen Recyclingstellen entsorgen können.



**Werfen Sie Elektrowerkzeuge nicht in den Hausmüll!**

Gemäß Europäischer Richtlinie 2012/19/EU müssen verbrauchte Elektrowerkzeuge getrennt gesammelt und einer umweltgerechten Wiederverwertung zugeführt werden.

Möglichkeiten zur Entsorgung des ausgedienten Gerätes erfahren Sie bei Ihrer Gemeinde- oder Stadtverwaltung.

## Garantie der Kompernaß Handels GmbH

Sehr geehrte Kundin, sehr geehrter Kunde,

Sie erhalten auf dieses Gerät 3 Jahre Garantie ab Kaufdatum. Im Falle von Mängeln dieses Produkts stehen Ihnen gegen den Verkäufer des Produkts gesetzliche Rechte zu. Diese gesetzlichen Rechte werden durch unsere im Folgenden dargestellte Garantie nicht eingeschränkt.

### **Garantiebedingungen**

Die Garantiefrist beginnt mit dem Kaufdatum. Bitte bewahren Sie den Original-Kassenbon gut auf. Diese Unterlage wird als Nachweis für den Kauf benötigt.

Tritt innerhalb von drei Jahren ab dem Kaufdatum dieses Produkts ein Material- oder Fabrikationsfehler auf, wird das Produkt von uns – nach unserer Wahl – für Sie kostenlos repariert oder ersetzt. Diese Garantieleistung setzt voraus, dass innerhalb der Drei-Jahres-Frist das defekte Gerät und der Kaufbeleg (Kassenbon) vorgelegt und schriftlich kurz beschrieben wird, worin der Mangel besteht und wann er aufgetreten ist.

Wenn der Defekt von unserer Garantie gedeckt ist, erhalten Sie das reparierte oder ein neues Produkt zurück. Mit Reparatur oder Austausch des Produkts beginnt kein neuer Garantiezeitraum.

### **Garantiezeit und gesetzliche Mängelansprüche**

Die Garantiezeit wird durch die Gewährleistung nicht verlängert. Dies gilt auch für ersetzte und reparierte Teile. Eventuell schon beim Kauf vorhandene Schäden und Mängel müssen sofort nach dem Auspacken gemeldet werden. Nach Ablauf der Garantiezeit anfallende Reparaturen sind kostenpflichtig.



## Garantieumfang

Das Gerät wurde nach strengen Qualitätsrichtlinien sorgfältig produziert und vor Auslieferung gewissenhaft geprüft.

Die Garantieleistung gilt für Material- oder Fabrikationsfehler. Diese Garantie erstreckt sich nicht auf Produktteile, die normaler Abnutzung ausgesetzt sind und daher als Verschleißteile angesehen werden können oder für Beschädigungen an zerbrechlichen Teilen, z. B. Schalter, Akkus, Backformen oder Teile die aus Glas gefertigt sind.

Diese Garantie verfällt, wenn das Produkt beschädigt, nicht sachgemäß benutzt oder gewartet wurde. Für eine sachgemäße Benutzung des Produkts sind alle in der Bedienungsanleitung aufgeführten Anweisungen genau einzuhalten. Verwendungszwecke und Handlungen, von denen in der Bedienungsanleitung abgeraten oder vor denen gewarnt wird, sind unbedingt zu vermeiden.

Das Produkt ist nur für den privaten und nicht für den gewerblichen Gebrauch bestimmt. Bei missbräuchlicher und unsachgemäßer Behandlung, Gewaltanwendung und bei Eingriffen, die nicht von unserer autorisierten Service-Niederlassung vorgenommen wurden, erlischt die Garantie.

## Abwicklung im Garantiefall

Um eine schnelle Bearbeitung ihres Anliegens zu gewährleisten, folgen Sie bitte den folgenden Hinweisen:

- Bitte halten Sie für alle Anfragen den Kassenschein und die Artikelnummer (z. B. IAN 12345) als Nachweis für den Kauf bereit.
- Die Artikelnummer entnehmen Sie bitte dem Typenschild, einer Gravur, auf dem Titelblatt ihrer Anleitung (unten links) oder als Aufkleber auf der Rück- oder Unterseite.
- Sollten Funktionsfehler oder sonstige Mängel auftreten, kontaktieren Sie zunächst die nachfolgend benannte Serviceabteilung **telefonisch** oder per **E-Mail**.
- Ein als defekt erfasstes Produkt können Sie dann unter Beifügung des Kaufbelegs (Kassenschein) und der Angabe, worin der Mangel besteht und wann er aufgetreten ist, für Sie portofrei an die Ihnen mitgeteilte Service-Anschrift übersenden.



Auf [www.lidl-service.com](http://www.lidl-service.com) können Sie diese und viele weitere Handbücher, Produktvideos und Software herunterladen.

## Service

### **WARNUNG!**

- Lassen Sie Ihre Geräte von der Servicestelle oder einer Elektrofachkraft und nur mit Original-Ersatzteilen reparieren. Damit wird sichergestellt, dass die Sicherheit des Gerätes erhalten bleibt.

### **WARNUNG!**

- Lassen Sie den Austausch des Steckers oder der Netzleitung immer vom Hersteller des Gerätes oder seinem Kundendienst ausführen. Damit wird sichergestellt, dass die Sicherheit des Gerätes erhalten bleibt.

### **HINWEIS**

- Nicht aufgeführte Ersatzteile (wie z. B. Kohlebürsten, Schalter, Staubbox) können Sie über unsere Callcenter bestellen.

#### **Service Deutschland**

Tel.: 0800 5435 111 (Kostenfrei aus dem dt. Festnetz/Mobilfunknetz)  
E-Mail: [kompernass@lidl.de](mailto:kompernass@lidl.de)

#### **Service Österreich**

Tel.: 0820 201 222 (0,15 EUR/Min.)  
E-Mail: [kompernass@lidl.at](mailto:kompernass@lidl.at)

#### **Service Schweiz**

Tel.: 0842 665566 (0,08 CHF/Min., Mobilfunk max. 0,40 CHF/Min.)  
E-Mail: [kompernass@lidl.ch](mailto:kompernass@lidl.ch)

IAN 285794

## Importeur

Bitte beachten Sie, dass die folgende Anschrift keine Serviceanschrift ist. Kontaktieren Sie zunächst die benannte Servicestelle.

KOMPERNASS HANDELS GMBH  
BURGSTRASSE 21  
DE-44867 BOCHUM  
DEUTSCHLAND  
[www.kompernass.com](http://www.kompernass.com)

## Original-Konformitätserklärung

Wir, KOMPERNASS HANDELS GMBH, Dokumentenverantwortlicher: Herr Semi Uguzlu, BURGSTR. 21, DE - 44867 BOCHUM, Deutschland, erklären hiermit, dass dieses Produkt mit den folgenden Normen, normativen Dokumenten und EG-Richtlinien übereinstimmt:

**Maschinenrichtlinie  
(2006 / 42 / EG)**

**Elektromagnetische Verträglichkeit  
(2014 / 30 / EU)**

**RoHS Richtlinie  
(2011 / 65 / EU)\***

\*Die alleinige Verantwortung für die Ausstellung dieser Konformitätserklärung trägt der Hersteller. Der oben beschriebene Gegenstand der Erklärung erfüllt die Vorschriften der Richtlinie 2011/65/EU des Europäischen Parlaments und des Rates vom 8. Juni 2011 zur Beschränkung der Verwendung bestimmter gefährlicher Stoffe in Elektro- und Elektronikgeräten.

### Angewandte harmonisierte Normen:

EN 60745-1:2009/A11:2010

EN 60745-2-4:2009/A11:2011

EN 55014-1:2006/A2:2011

EN 55014-2:2015

EN 61000-3-2:2014

EN 61000-3-3:2013

### Typbezeichnung der Maschine:

Bandschleifer PBSD 600 A1

**Herstellungsjahr: 03-2017**

**Seriennummer: IAN 285794**

Bochum, 13.03.2017



Semi Uguzlu

- Qualitätsmanager -

Technische Änderungen im Sinne der Weiterentwicklung sind vorbehalten.

**KOMPERNASS HANDELS GMBH**

BURGSTRASSE 21

DE-44867 BOCHUM

GERMANY

[www.kompernass.com](http://www.kompernass.com)

Last Information Update · Stand der Informationen:  
03 / 2017 · Ident.-No.: PBS600A1-032017-2

IAN 285794