

SILVER CREST®



www.lidl-service.com



STEAM MOP SDM 1500 C2

GB IE NI CY

STEAM MOP

Operating instructions

DE AT CH

DAMPFMOPP

Bedienungsanleitung

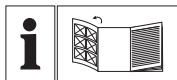
GR CY

ΣΦΟΥΓΓΑΡΙΣΤΡΑ ΑΤΜΟΥ

Οδηγίες χρήσης

IAN 280641

GB IE
NI CY



GB IE NI CY

Before reading, unfold the page containing the illustrations and familiarise yourself with all functions of the device.

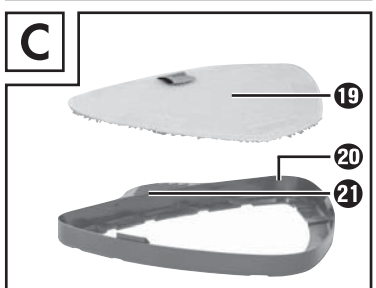
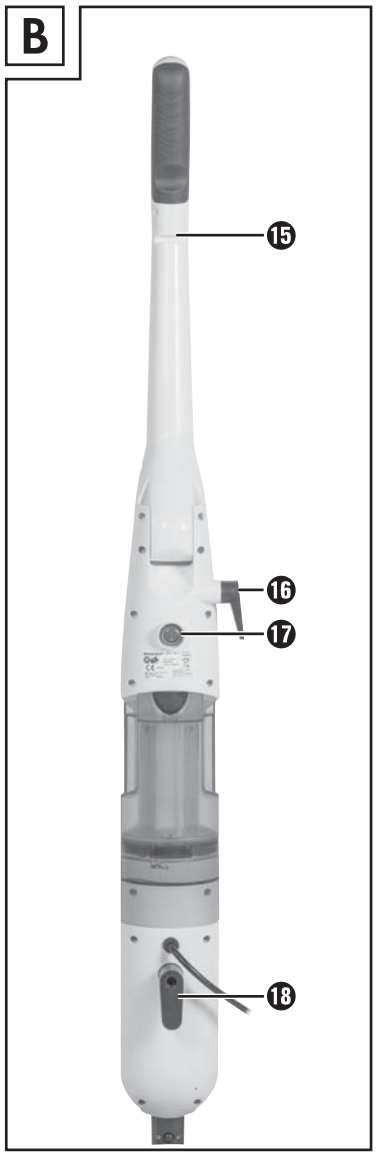
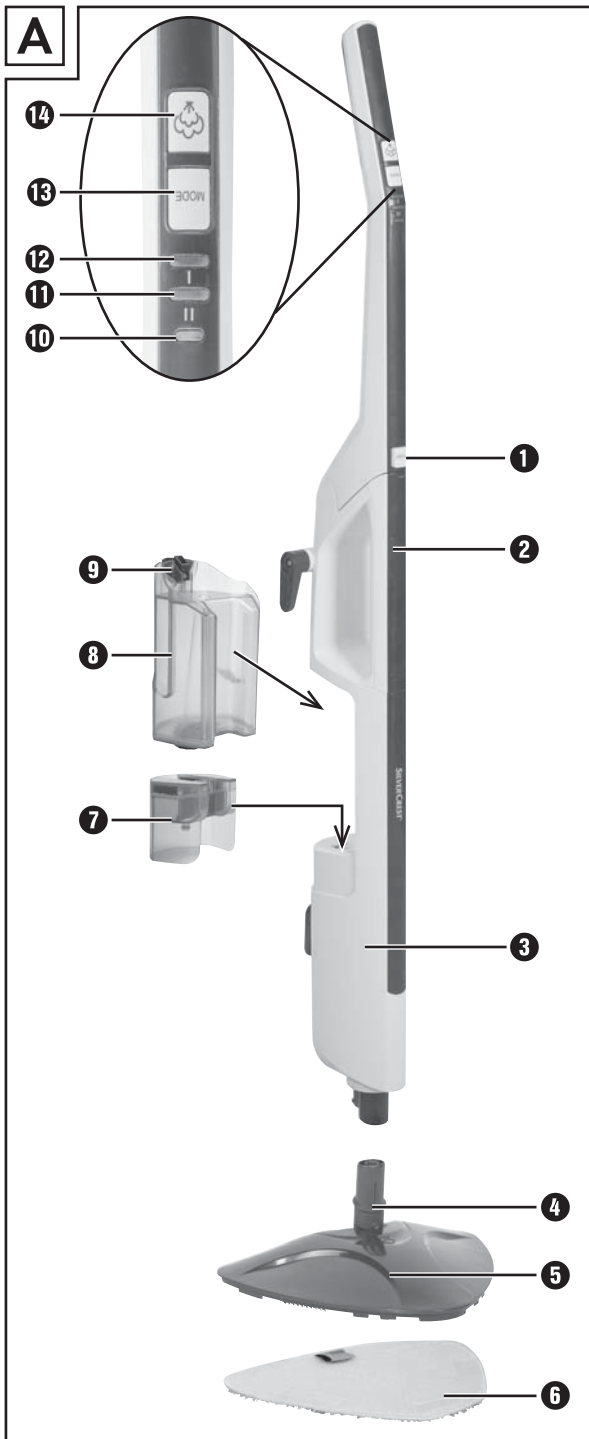
GR CY

Πριν ξεκινήσετε την ανάγνωση, ανοίξτε τις δυο σελίδες με τις εικόνες και εξοικειωθείτε με όλες τις λειτουργίες της συσκευής.

DE AT CH

Klappen Sie vor dem Lesen die Seite mit den Abbildungen aus und machen Sie sich anschließend mit allen Funktionen des Gerätes vertraut.

GB/IE/NI/CY	Operating instructions	Page	1
GR/CY	Οδηγίες χρήσης	Σελίδα	19
DE/AT/CH	Bedienungsanleitung	Seite	37



Contents

Introduction	2
Information concerning these operating instructions	2
Copyright	2
Intended use	2
Safety instructions	3
Operating components	6
Unpacking and installation	7
Safety instructions	7
Package contents and transport inspection	7
Unpacking	7
Disposal of packaging materials	8
Assembling the appliance	8
Handling and operation	8
Filling with water	8
Operation	9
After use	11
Cleaning and care	11
Maintenance/changing the filter	12
Troubleshooting	13
Storage	14
Disposal	14
Appendix	14
Technical data	14
Kompernass Handels GmbH warranty	15
Service	16
Importer	16
Ordering spare parts	17

Introduction

Information concerning these operating instructions

Congratulations on the purchase of your new appliance.

You have selected a high-quality product. The operating instructions are part of this product. They contain important information on safety, usage and disposal. Before using the product, familiarise yourself with all operating and safety instructions. Use the product only as described and for the specified areas of application. Please also pass on these operating instructions to any future owner.

Copyright

This documentation is protected by copyright.

Any copying or reproduction, including in the form of extracts, or any reproduction of images (even in a modified state), is permitted only with the written authorisation of the manufacturer.

Intended use

This appliance is intended exclusively for cleaning indoor floors. The appliance is not intended for any other purpose, nor for use beyond the scope described. The appliance is not intended for use in commercial or industrial environments.

The manufacturer accepts no responsibility for damage caused by failure to observe these instructions, improper use or repairs, unauthorised modifications or the use of unapproved replacement parts. The operator bears sole liability.

Safety instructions

RISK OF ELECTRIC SHOCK!

- ▶ Connect the appliance only to mains power sockets supplying a mains power voltage of 220 - 240 V ~, 50/60 Hz.
- ▶ In the event of operating malfunctions, and before cleaning the appliance, disconnect the plug from the mains power socket.
- ▶ To disconnect the power cable, always pull the plug from the socket, do not pull the power cable itself.
- ▶ Do not kink or crush the power cable, and route the cable so that it cannot be stepped on or tripped over.
- ▶ To avoid risks, arrange for defective plugs and/or power cables to be replaced at once by qualified technicians or our Customer Service Department.
- ▶ Make sure that the power cable does not become wet or damp during use. Route the cable in such a way that it cannot be crushed or damaged.
- ▶ To prevent risks, stop using the appliance immediately if it is damaged.
- ▶ Disconnect the appliance from the mains power socket before filling it with water, changing accessories or cleaning it.



Use the appliance only in dry indoor areas, not outdoors.

- ▶ Never submerge the appliance in water or other liquids!
- ▶ Never aim the steam jet directly at electrical appliances or equipment which contains electrical components, such as the interior of ovens.

RISK OF ELECTRIC SHOCK!

- ▶ Operate the appliance only with dry hands and never without shoes (i.e. not barefoot). This will help reduce the effect of an electric shock in the event of a malfunction.
- ▶ Never aim the appliance at moisture-sensitive objects.
- ▶ This appliance may be used by persons with limited physical, sensory or mental capabilities or lack of experience and knowledge, provided that they are under supervision or have been told how to use the appliance safely and are aware of the potential risks. Children must not use the appliance as a plaything. Cleaning and user maintenance tasks may not be carried out by children unless they are supervised.

WARNING! RISK OF INJURY!

- ▶ Some parts of the appliance may become hot during use! There is a risk of scalding!
- ▶ Allow the accessories used to cool down before dismantling them.
- ▶ Use only the original accessory parts for this appliance. Other accessories may not meet the safety requirements.
- ▶ The appliance may not be used if it has been dropped, if there are any obvious signs of physical damage or if it is leaking.
- ▶ The appliance must be kept out of the reach of children if it is switched on or is cooling down.
- ▶ Never direct the steam at people or animals. Hot steam can cause serious injuries!
- ▶ Always pull the plug out of the power socket during each break in use, as well as after use and before any cleaning.

⚠ RISK OF BURNS!

Caution! Hot surface!



This symbol warns you about escaping steam.
Please follow the safety instructions!

⚠ CAUTION! MATERIAL DAMAGE!

- ▶ Use the appliance only on floors made of marble, stone, tile, parquet flooring or hardwood that have been treated and are impervious to water.
- ▶ Never use the appliance ...
 - ... on untreated or permeable floors,
 - ... on glass surfaces,
 - ... on soft plastic surfaces,
 - ... on floors that have been treated with wax,
 - ... on carpets with wool content.
- ▶ Always comply with the cleaning instructions of the carpet manufacturer. Before cleaning, check also whether the carpet is suitable for steam cleaning. Use the appliance only on parquet floors if they have been hard-sealed.
- ▶ Do not leave the appliance standing on wooden floors for any length of time while it is switched on. This might cause the wood to swell.
- ▶ Do not operate the appliance with an empty water tank. Otherwise, the pump could run dry and overheat.
- ▶ Do not use an external timer switch or a separate remote control system to operate the appliance.
- ▶ Never leave the appliance unattended during operation.
- ▶ Do not use the appliance outdoors.



CAUTION! MATERIAL DAMAGE!

- ▶ Ensure that the appliance, the power cable and the plug do not come into contact with heat sources such as hotplates or naked flames.

Operating components

Figure A:

- 1 "Handle" release button
- 2 Carrying handle
- 3 Main unit
- 4 Connection nozzle
- 5 Steam foot
- 6 Pad
- 7 Filter
- 8 Water tank
- 9 "Water tank" release button
- 10 POWER control lamp
- 11 Red control lamp "high steam level"
- 12 Green control lamp "low steam level"
- 13 MODE button
- 14 "Steam" button

Figure B:

- 15 Notch
- 16 Upper cable hook
- 17 On/off switch
- 18 Lower cable hook

Figure C:

- 19 Replacement pad
- 20 Carpet ring
- 21 Carpet ring release aid

Unpacking and installation

Safety instructions

WARNING

During the first use of the appliance there is a risk of injury and/or damage to property!

To avoid risks, observe the following safety instructions:

- ▶ Do not allow children to play with packaging materials. There is a risk of suffocation.

Package contents and transport inspection

The appliance is supplied with the following components as standard (see fold-out page):

- Main unit
- Steam foot
- Carpet cleaning ring
- 2 pads
- Operating instructions

NOTE

- ▶ Check the package for completeness and for signs of visible damage.
- ▶ If the delivery is incomplete or damage has occurred as a result of defective packaging or during transport, contact the service hotline (see section Service).

Unpacking

- ◆ Remove all parts of the appliance and the operating instructions from the box.
- ◆ Remove all packaging materials and any films and labels.

Disposal of packaging materials

The packaging protects the appliance from damage during transport. The packaging materials have been selected for their environmental friendliness and ease of disposal, and are therefore recyclable.



Returning the packaging into the material cycle conserves raw materials and reduces the amount of waste generated. Dispose of packaging materials that are no longer needed in accordance with applicable local regulations.

NOTE

- ▶ If possible, keep the appliance's original packaging during the warranty period so that the appliance can be packed properly for return shipment in the event of a warranty claim.

Assembling the appliance

- ◆ Push the main unit **3** onto the connection nozzle **4** on the steam foot **5** and press the main unit **3** down until the round catch clicks into place.
- ◆ Attach a pad **6** from below onto the steam foot **5**.

NOTE

- ▶ If you intend to clean carpeting with the steam mop, fit the steam foot **5** onto the carpet ring **20**. Ensure that the carpet ring unlocking aid **21** is in line with the connection nozzle **4**. Push the steam foot **5** onto the carpet ring **20** so that it clicks audibly into place. This will allow the pad **6** to glide over the carpet.
- ▶ To remove the carpet ring **20**, press your foot onto the carpet ring release aid **21** and pull the steam foot **5** carefully off the carpet ring **20**.

Handling and operation

This section provides you with important information on handling and using the appliance.

Filling with water

CAUTION – PROPERTY DAMAGE!

- ▶ Never operate the appliance without water in the water tank **8**! The pump could overheat and be damaged!
- 1) Push the "Water tank" release button **9** downwards and simultaneously pull the water tank **8** towards the rear and off the appliance with a tilt movement.
 - 2) Turn the water tank **8** and unscrew the cap.
 - 3) Fill the water tank **8** with tap water up to the MAX mark.

NOTE

If the mains water in your location is rated as hard, it is recommended that you mix the mains water with some distilled water. Otherwise, the jets for the steam blast function could calcify (become blocked) prematurely.

To extend the optimal steam blast function, mix mains water with distilled water according to the table:

Water hardness	Ratio of distilled water to tap water
very soft/soft	0
medium	1:1
hard	2:1
very hard	3:1

The water hardness level can be queried at your local water works.

- 4) Attach and hand-tighten the clamp.
- 5) Turn the water tank **6** around again and place it back onto the main unit **3**: First fit the lower part into the main unit **3** and then flip the top part into the device. Push it firmly into place so that the water tank **8** audibly clicks into place and sits firmly on the main unit **3**.

Operation

CAUTION – PROPERTY DAMAGE!

- ▶ If you are not sure whether the floor is suitable for cleaning, please carry out a tolerance test using a concealed part of the floor.
- ▶ Always comply with the cleaning instructions of the carpet manufacturer. Before cleaning, check also whether the carpet is suitable for steam cleaning.
- ▶ Never use the appliance without a pad **6** on the steam foot **5**. Otherwise the floor could get scratched!
- ▶ Never operate the appliance without water in the water tank **8**! The pump could overheat and be damaged!

NOTE

- ▶ Before you clean the floor with the steam mop, we recommend that you vacuum the floor to remove any loose particles of dirt.

Once the appliance is assembled and filled with water:

- 1) Press and hold in the "Handle" release button **1** and flip the handle upwards so that it clicks into place.

- 2) If not already done: Completely unwind the power cable from the cable hooks **16/18**. To facilitate the unwinding of the cable, you can flip down the upper cable hook **16** by pulling it out a little and turning it at the same time.
- 3) Run the cable through the notch **15** on the rear of the handle so that the cable does not hang down into the working area.
- 4) Insert the plug into the mains power socket.
- 5) Set the on/off switch **17** to "I". The on/off switch **17** lights up, the red POWER control lamp **10** flashes.
- 6) Use the MODE button **13** to select the desired level of steam generation:
 - Press 1 x: low steam level, green control lamp **12** lights up.
 - Press 2 x: high steam level, red control lamp **11** lights up.
 - Press 3 x: no steam, standby, POWER control lamp **10** lights up.

NOTE

- ▶ We recommend the high steam level especially for moisture- and heat-resistant floor coverings, such as tiles.
- ▶ We recommend the low steam level especially for moisture- and heat-sensitive floor coverings, such as parquet flooring.

- 7) Wait around 30 seconds while the appliance heats up.
- 8) Press the "Steam" button **14**. The appliance starts generating steam and, after a short time, steam is emitted through the pad **6**.
- 9) Wipe over the desired area.
If the water tank **8** becomes empty during use:

NOTE

- ▶ Once the water tank **8** has been pumped empty, the pump will continue running a little while until the empty water tank **8** is indicated by the simultaneous flashing of the red control lamp "high steam level" **11**, the green control lamp "low steam level" **12** and POWER control lamp **10**.
 - Press the "Steam" button **14** again to stop steam production.
 - Set the on/off switch **17** to "O".
 - Remove the water tank **8**, fill it and replace the water tank **8** as described in the section "Filling with water".
 - Set the on/off switch **17** to "I".
 - Select the desired steam level as described above and press the "Steam" button **14**.

- 10) When you are finished treating all of the surfaces, press the "Steam" button **14** to stop steam production.
- 11) Set the on/off switch **17** to "O". The POWER control lamp **10** goes out.
- 12) Remove the power plug from the mains power socket.

NOTE

- ▶ If you see streaks on the floor after cleaning with the appliance, this may be due to the previously used cleaning fluids. Simply clean the floor again using the steam mop. The smears should now be gone.

After use

- 1) Allow the appliance to cool down.
- 2) Remove the pad **6**.
- 3) Remove the water tank **8** from the appliance and empty it.
- 4) Pull the upper cable hook **16** out a little and turn it back upwards. Wind the cable back around the two cable hooks **16/18**. Fix the end of the power cable using the cable clip located on the cable.

Cleaning and care

RISK OF ELECTRIC SHOCK!

- ▶ Always remove the mains power plug before cleaning the appliance!




WARNING – RISK OF INJURY!

- ▶ Allow the appliance to cool down before cleaning it. Risk of burns!

CAUTION – PROPERTY DAMAGE

- ▶ When cleaning the surfaces use neither abrasive or chemical cleaners, nor sharp or scratchy objects.
- Empty the water tank **8** after every use.
- After each use, remove the pad **6** from the steam foot **5** and wash it out.

- Note the following washing instructions when you wash the pad ⑥ in the washing machine:

	Wash at max. 60°C
	Do not tumble dry
	Do not iron

- If necessary, wipe the appliance with a damp cloth. For stubborn soiling use a mild detergent on the cloth.

Maintenance/changing the filter

After 4–6 months or approximately 100 cleaning cycles (one cycle corresponds to one water tank filling), you will need to change the filter ⑦. Please contact our Service Department for replacement filters.

RISK OF ELECTRIC SHOCK!

► Before changing the filter ⑦, always pull out the mains plug!

- 1) To remove the filter ⑦, first remove the water tank ⑧ from the appliance.
- 2) Pull the filter ⑦ upwards out of the appliance.
- 3) Insert the new filter ⑦.
- 4) Replace the water tank ⑧.

Troubleshooting

Programme	Possible causes	Possible solutions
The appliance is not working.	The plug is not connected.	Connect the appliance to a mains power socket.
The appliance produces no steam.	The "Steam" button 14 has not been pressed.	Press the "Steam" button 14 .
	There is no water in the water tank 8 .	Fill the water tank 8 with tap water.
	The filter 7 is blocked.	Change the filter 7 .
	No steam setting has been selected.	Use the MODE button 13 to select the desired level of steam.
The pump makes unusually loud noises.	There is no water in the water tank 8 .	Fill the water tank 8 with tap water.
A whitish edge forms on the floor when the appliance stops briefly during operation.	Lime has collected.	Wipe the limescale away with a damp cloth. If necessary, add a little descaler onto the cloth.

Storage

- Fold the handle by pressing the "Handle" release button ①.
- Pull the upper cable hook 16 out a little and turn it back upwards. Wind the cable back around the two cable hooks 16/18.
- Carry the appliance using the carrying handle ②.
- Store the appliance in a dry and dust-free location.

Disposal



Do not dispose of the appliance in your normal domestic waste. This product is subject to the provisions of European Directive 2012/19/EU-WEEE (Waste Electrical and Electronic Equipment).

Dispose of the appliance via an approved waste disposal company or your municipal waste disposal facility. Please comply with all applicable regulations. Please contact your waste disposal facility if you are in any doubt.

Appendix

Technical data

Voltage supply	220 - 240 V ~ (AC) 50 / 60 Hz
Power consumption	1370 - 1630 W
Protection rating	IPX4 Protected against water splashes from any direction.

Information on the pads ⑥/19

Material composition	100% polyester
	Wash at max. 60°C
	Do not tumble dry
	Do not iron

Kompernass Handels GmbH warranty

Dear Customer,

This appliance has a 3-year warranty valid from the date of purchase. If this product has any faults, you, the buyer, have certain statutory rights. Your statutory rights are not restricted in any way by the warranty described below.

Warranty conditions

The validity period of the warranty starts from the date of purchase. Please keep your original receipt in a safe place. This document will be required as proof of purchase.

If any material or production fault occurs within three years of the date of purchase of the product, we will either repair or replace the product for you at our discretion. This warranty service is dependent on you presenting the defective appliance and the proof of purchase (receipt) and a short written description of the fault and its time of occurrence.

If the defect is covered by the warranty, your product will either be repaired or replaced by us. The repair or replacement of a product does not signify the beginning of a new warranty period.

Warranty period and statutory claims for defects

The warranty period is not prolonged by repairs effected under the warranty. This also applies to replaced and repaired components. Any damage and defects present at the time of purchase must be reported immediately after unpacking. Repairs carried out after expiry of the warranty period shall be subject to a fee.

Scope of the warranty

This appliance has been manufactured in accordance with strict quality guidelines and inspected meticulously prior to delivery.

The warranty covers material faults or production faults. The warranty does not extend to product parts subject to normal wear and tear or fragile parts such as switches, batteries, baking moulds or parts made of glass.

The warranty does not apply if the product has been damaged, improperly used or improperly maintained. The directions in the operating instructions for the product regarding proper use of the product are to be strictly followed. Uses and actions that are discouraged in the operating instructions or which are warned against must be avoided.

This product is intended solely for private use and not for commercial purposes. The warranty shall be deemed void in cases of misuse or improper handling, use of force and modifications / repairs which have not been carried out by one of our authorised Service centres.

Warranty claim procedure

To ensure quick processing of your case, please observe the following instructions:

- Please have the till receipt and the item number (e.g. IAN 12345) available as proof of purchase.
- You will find the item number on the type plate, an engraving on the front page of the instructions (bottom left), or as a sticker on the rear or bottom of the appliance.
- If functional or other defects occur, please contact the service department listed either by **telephone** or by **e-mail**.
- You can return a defective product to us free of charge to the service address that will be provided to you. Ensure that you enclose the proof of purchase (till receipt) and information about what the defect is and when it occurred.



You can download these instructions along with many other manuals, product videos and software on www.lidl-service.com.

Service

GB Service Great Britain

Tel.: 0871 5000 720 (£ 0.10/Min.)

E-Mail: kompennass@lidl.co.uk

IE Service Ireland

Tel.: 1890 930 034

(0,08 EUR/Min., (peak))

(0,06 EUR/Min., (off peak))

E-Mail: kompennass@lidl.ie

CY Service Cyprus

Tel.: 8009 4409

E-Mail: kompennass@lidl.com.cy

IAN 280641

Importer

Please note that the following address is not the service address. Please use the service address provided in the operating instructions.

KOMPENASS HANDELS GMBH

BURGSTRASSE 21

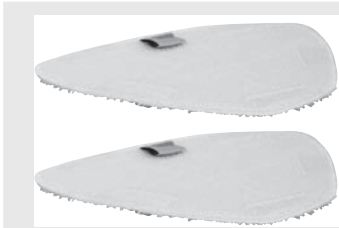
44867 BOCHUM

GERMANY

www.kompennass.com

Ordering spare parts

You can order the following replacement parts for product SDM 1500 C2:

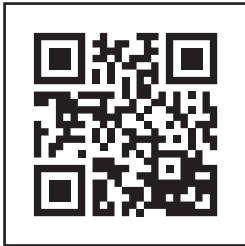


► 2 x Replacement pad



► 1 x Filter

Order the replacement parts via the Service Hotline (see section „Service“) or simply visit our website at www.kompernass.com.



NOTE

- Have the IAN number of the appliance ready (can be found on the cover of these operating instructions) when you place your order.

Περιεχόμενα

Εισαγωγή	20
Πληροφορίες για αυτές τις οδηγίες χρήσης	20
Πνευματικά δικαιώματα	20
Προβλεπόμενη χρήση	20
Υποδείξεις ασφαλείας	21
Στοιχεία χειρισμού	24
Αποσυσκευασία και σύνδεση	25
Υποδείξεις ασφαλείας	25
Παραδοτέος εξοπλισμός και έλεγχος μεταφοράς	25
Αποσυσκευασία	25
Απόρριψη της συσκευασίας	26
Συναρμολόγηση συσκευής	26
Χειρισμός και λειτουργία	26
Πλήρωση με νερό	26
Χειρισμός	27
Μετά τη χρήση	29
Καθαρισμός και φροντίδα	29
Συντήρηση/Αλλαγή φίλτρου	30
Διόρθωση σφαλμάτων	31
Φύλαξη	32
Απόρριψη	32
Παράρτημα	32
Τεχνικά χαρακτηριστικά	32
Εγγύηση της Kompernass Handels GmbH	33
Σέρβις	34
Εισαγωγέας	34
Παραγγελία ανταλλακτικών	35

Εισαγωγή

Πληροφορίες για αυτές τις οδηγίες χρήσης

Συγχαρητήρια για την αγορά της νέας σας συσκευής.

Αποφασίσατε έτσι για την απόκτηση ενός προϊόντος υψηλής ποιότητας.

Οι οδηγίες χρήσης είναι τμήμα αυτού του προϊόντος. Περιέχουν σημαντικές υποδείξεις για την ασφάλεια, τη χρήση και την απόρριψη. Πριν από τη χρήση του προϊόντος, εξοικειωθείτε με όλες τις υποδείξεις χειρισμού και ασφάλειας.

Χρησιμοποιείτε το προϊόν μόνο όπως περιγράφεται και για τους αναφερόμενους τομείς χρήσης. Παραδώστε όλα τα έγγραφα σε περίπτωση παράδοσης του προϊόντος σε τρίτους.

Πνευματικά δικαιώματα

Αυτές οι οδηγίες έχουν προστασία πνευματικών δικαιωμάτων.

Κάθε ανατύπωση ή επανέκδοση, ακόμη και αποσπασματική, καθώς και η αναπαραγωγή των εικόνων, ακόμα και σε τροποποιημένη κατάσταση, επιτρέπεται μόνο με γραπτή έγκριση του κατασκευαστή.

Προβλεπόμενη χρήση

Αυτή η συσκευή προορίζεται αποκλειστικά για τον καθαρισμό δαπέδων σε εσωτερικό χώρο. Μία άλλη ή διαφορετική χρήση από τα ανωτέρω αναφερόμενα ισχύει ως μη σύμφωνη με τους κανονισμούς. Η συσκευή δεν προορίζεται για χρήση σε βιομηχανικούς ή εργοστασιακούς χώρους.

Απαιτήσεις οποιουδήποτε είδους λόγω ζημιών από μη σύμφωνη με τους κανονισμούς χρήση, από ακατάλληλες επισκευές, μη επιτρεπόμενες διεξαχθείσες τροποποιήσεις ή από χρήση μη εγκεκριμένων ανταλλακτικών, αποκλείονται. Την ευθύνη φέρει αποκλειστικά ο χρήστης.

Υποδείξεις ασφαλείας

ΚΙΝΔΥΝΟΣ ΑΠΟ ΗΛΕΚΤΡΟΠΛΗΞΙΑ!

- ▶ Συνδέετε τη συσκευή μόνο σε μία σύμφωνα με τις προδιαγραφές εγκατεστημένη πρίζα με τάση δικτύου 220 - 240 V ~, 50/60 Hz.
- ▶ Σε περίπτωση δυσλειτουργιών και πριν από τον καθαρισμό της συσκευής τραβάτε το βύσμα από την πρίζα.
- ▶ Τραβάτε το καλώδιο τροφοδοσίας από την υποδοχή κρατώντας πάντα το βύσμα και ποτέ το ίδιο το καλώδιο.
- ▶ Μην τσακίζετε ή συμπιέζετε το καλώδιο και τοποθετείτε το κατά τέτοιο τρόπο, ώστε να μην μπορεί κανείς να το πατήσει ή να σκοντάψει σε αυτό.
- ▶ Τα βύσματα ή τα καλώδια που έχουν υποστεί βλάβη πρέπει να αντικαθίστανται αμέσως από εξουσιοδοτημένο εξειδικευμένο προσωπικό ή από το τμήμα εξυπηρέτησης πελατών, ώστε να αποφεύγονται κίνδυνοι.
- ▶ Προσέχετε ώστε κατά τη λειτουργία το καλώδιο τροφοδοσίας να μην βρέχεται ή υγραίνεται. Περνάτε το κατά τέτοιο τρόπο, ώστε να μην πιάνεται ή φθείρεται.
- ▶ Εάν η συσκευή έχει βλάβη, μην τη χρησιμοποιήσετε ξανά, ώστε να αποφύγετε κινδύνους.
- ▶ Τραβήξτε πρώτα το βύσμα από την πρίζα, πριν γεμίσετε τη συσκευή με νερό, πριν την καθαρίσετε ή πριν αλλάξετε εξαρτήματα.



Χρησιμοποιείτε τη συσκευή μόνο σε στεγνούς και όχι σε εξωτερικούς χώρους.

- ▶ Ποτέ μη βυθίζετε τη συσκευή σε νερό ή σε άλλα υγρά!
- ▶ Ποτέ μην κατευθύνετε τον ατμό απευθείας σε ηλεκτρικές συσκευές ή διατάξεις, οι οποίες περιλαμβάνουν ηλεκτρικά εξαρτήματα, όπως για παράδειγμα στον εσωτερικό χώρο φούρνων.

ΚΙΝΔΥΝΟΣ ΑΠΟ ΗΛΕΚΤΡΟΠΛΗΞΙΑ!

- ▶ Χρησιμοποιείτε τη συσκευή μόνο με στεγνά χέρια και όχι χωρίς υποδήματα (όχι ξυπόλυτοι). Έτσι μειώνετε, σε περίπτωση σφάλματος, επικίνδυνα ρεύματα κρούσης.
- ▶ Ποτέ μην κατευθύνετε τη συσκευή σε αντικείμενα με ευαισθησία στην υγρασία.
- ▶ Μπορεί να γίνεται χρήση αυτής της συσκευής από άτομα με μειωμένες φυσικές, αισθητηριακές ή νοητικές ικανότητες ή με έλλειψη εμπειρίας και/ή γνώσεων, εφόσον επιτηρούνται ή έχουν εκπαιδευτεί αναφορικά με την ασφαλή χρήση της συσκευής και κατανοούν τους επακόλουθους κινδύνους. Τα παιδιά δεν επιτρέπεται να παίζουν με τη συσκευή. Ο καθαρισμός και η συντήρηση χρήστη δεν επιτρέπεται να διεξάγονται από παιδιά, χωρίς επιτήρηση.

ΠΡΟΕΙΔΟΠΟΙΗΣΗ! ΚΙΝΔΥΝΟΣ ΤΡΑΥΜΑΤΙΣΜΟΥ!

- ▶ Ορισμένα τμήματα της συσκευής είναι καυτά κατά τη χρήση! Υπάρχει κίνδυνος εγκαύματος!
- ▶ Αφήνετε τα χρησιμοποιούμενα εξαρτήματα πρώτα να κρυώνουν πριν τα απομακρύνετε.
- ▶ Χρησιμοποιείτε μόνο τα γνήσια αξεσουάρ για αυτή τη συσκευή. Άλλα εξαρτήματα πιθανώς να μην είναι επαρκώς ασφαλή.
- ▶ Η συσκευή δεν επιτρέπεται να χρησιμοποιείται όταν έχει πέσει κάτω, όταν υπάρχουν ορατές ζημιές ή εάν δεν είναι στεγανή.
- ▶ Η συσκευή πρέπει να παραμένει μακριά από παιδιά όταν είναι ενεργοποιημένη ή κρυώνει.
- ▶ Ποτέ μην κατευθύνετε τον ατμό σε ανθρώπους ή ζώα. Ο καυτός ατμός μπορεί να προκαλέσει σοβαρούς τραυματισμούς!
- ▶ Σε κάθε διακοπή ή μετά το τέλος χρήσης και πριν τον καθαρισμό, αποσυνδέετε το βύσμα από την πρίζα.

⚠ ΚΙΝΔΥΝΟΣ ΕΓΚΑΥΜΑΤΟΣ!

Προσοχή! Καυτή επιφάνεια!



Αυτό το σύμβολο σας προειδοποιεί για εξερχόμενο ατμό. Προσέχετε τις υποδείξεις ασφαλείας!

⚠ ΠΡΟΣΟΧΗ! ΥΛΙΚΕΣ ΖΗΜΙΕΣ!

- ▶ Χρησιμοποιείτε τη συσκευή αποκλειστικά σε δάπεδα από μάρμαρο, πέτρα, πλακάκια, παρκέ ή σκληρό ξύλο, στα οποία έχει γίνει επεξεργασία και είναι αδιάβροχα.
- ▶ Ποτέ μη χρησιμοποιείτε τη συσκευή...
 - ... σε μη επεξεργασμένα ή υδατοπερατά δάπεδα,
 - ... σε γυάλινες επιφάνειες,
 - ... σε μαλακές επιφάνειες συνθετικής ύλης,
 - ... σε δάπεδα, στα οποία έχει γίνει επεξεργασία με κερί,
 - ... σε χαλιά που περιέχουν και μαλλί.
- ▶ Προσέχετε πάντα τις υποδείξεις καθαρισμού του κατασκευαστή χαλιού. Πριν την έναρξη του καθαρισμού ελέγχετε επιπρόσθετα εάν το χαλί ενδείκνυται για καθαρισμό με ατμό.
- ▶ Να χρησιμοποιείτε τη συσκευή μόνο σε πατώματα παρκέ με ανθεκτική επίστρωση.
- ▶ Μην αφήνετε τη συσκευή ενεργοποιημένη σε ξύλινα δάπεδα για μεγάλα χρονικά διαστήματα. Μπορεί να προκληθεί διαβροχή του ξύλου.
- ▶ Μη λειτουργείτε τη συσκευή με άδειο δοχείο νερού. Αλλιώς η αντλία θα λειτουργήσει εν κενώ και θα υπερθερμανθεί.
- ▶ Μη χρησιμοποιείτε εξωτερικό χρονοδιακόπτη ή ξεχωριστό τηλεχειριστήριο για να χρησιμοποιήσετε τη συσκευή.
- ▶ Ποτέ μην αφήνετε τη συσκευή ανεπιτήρητη κατά τη διάρκεια της λειτουργίας.
- ▶ Μη χρησιμοποιείτε τη συσκευή σε εξωτερικούς χώρους.

ΠΡΟΣΟΧΗ! ΥΛΙΚΕΣ ΖΗΜΙΕΣ!

- ▶ Βεβαιώνετε ότι η συσκευή, το καλώδιο ή το βύσμα δεν έρχονται σε επαφή με πηγές θερμότητας, όπως μάτια κουζίνας ή φλόγες.

Στοιχεία χειρισμού

Εικόνα Α:

- 1 Πλήκτρο απασφάλισης "Λαβαή"
- 2 Λαβή μεταφοράς
- 3 Κύρια μονάδα
- 4 Στόμιο σύνδεσης
- 5 Βάση ατμού
- 6 Μαλακό τμήμα
- 7 Φίλτρο
- 8 Δοχείο νερού
- 9 Πλήκτρο απασφάλισης "Δοχείο νερού"
- 10 Λυχνία ελέγχου ισχύος POWER
- 11 Κόκκινη λυχνία ελέγχου "υψηλή ισχύς ατμού"
- 12 Πράσινη λυχνία ελέγχου "ελάχιστη ισχύς ατμού"
- 13 Πλήκτρο MODE
- 14 Πλήκτρο "Ατμός"

Εικόνα Β:

- 15 Εγκοπή
- 16 Άνω άγκιστρο καλωδίου
- 17 Διακόπτης on/off
- 18 Κάτω άγκιστρο καλωδίου

Εικόνα C:

- 19 Εφεδρικό μαλακό τμήμα
- 20 Δακτυλίδι για χαλιά
- 21 Βοήθεια απασφάλισης δακτυλιδιού για χαλιά

Αποσυσκευασία και σύνδεση

Υποδείξεις ασφαλείας

ΠΡΟΕΙΔΟΠΟΙΗΣΗ

Κατά τη θέση σε λειτουργία της συσκευής μπορεί να προκληθούν σωματικοί τραυματισμοί και υλικές ζημιές!

Τηρείτε τις ακόλουθες υποδείξεις ασφαλείας, ώστε να αποφεύγετε κινδύνους:

- ▶ Τα υλικά συσκευασίας δεν επιτρέπεται να χρησιμοποιούνται για παιχνίδι. Υπάρχει κίνδυνος ασφυξίας.

Παραδοτέος εξοπλισμός και έλεγχος μεταφοράς

Η συσκευή παραδίδεται κανονικά με τα εξής στοιχεία (βλ. αναδιπλωμένη σελίδα):

- Κύρια μονάδα
- Βάση ατμού
- Δακτυλίδι καθαρισμού χαλιών
- 2 μαλακά τμήματα
- Οδηγίες χρήσης

ΥΠΟΔΕΙΞΗ

- ▶ Ελέγξτε τον παραδοτέο εξοπλισμό ως προς την πληρότητα και για εμφανείς φθορές.
- ▶ Σε περίπτωση ελλιπούς παραδοτέου εξοπλισμού ή ζημιών λόγω ελλιπούς συσκευασίας ή λόγω μεταφοράς, απευθυνθείτε στην ανοικτή τηλεφωνική γραμμή εξυπηρέτησης (βλ. κεφάλαιο Σέρβις).

Αποσυσκευασία

- ◆ Αφαιρέστε όλα τα εξαρτήματα της συσκευής και τις οδηγίες χρήσης από το κουτί.
- ◆ Απομακρύνετε όλα τα υλικά συσκευασίας, ενδεχόμενες μεμβράνες και αυτοκόλλητα.

Απόρριψη της συσκευασίας

Η συσκευασία προστατεύει τη συσκευή από φθορές κατά τη μεταφορά. Τα υλικά συσκευασίας έχουν επιλεγεί σύμφωνα με τους οικολογικούς παράγοντες και τους παράγοντες της τεχνικής απόρριψης και για το λόγο αυτό είναι ανακυκλώσιμα.



Η επιστροφή της συσκευασίας στην ανακύκλωση υλικών εξοικονομεί πρώτες ύλες και μειώνει την ποσότητα των απορριμμάτων. Απορρίψτε τα υλικά συσκευασίας που δεν χρησιμοποιούνται πλέον σύμφωνα με τις τοπικές ισχύουσες προδιαγραφές.

ΥΠΟΔΕΙΞΗ

- ▶ Εάν είναι δυνατόν, φυλάξτε τη γνήσια συσκευασία κατά τη διάρκεια της εγγύησης, για να μπορείτε σε περίπτωση εγγύησης να συσκευάσετε τη συσκευή σωστά.

Συναρμολόγηση συσκευής

- ◆ Ωθήστε την κύρια μονάδα **3** στο στόμιο σύνδεσης **4** στη βάση ατμού **5** και πιέστε την κύρια μονάδα **3** κάτω, μέχρι να κουμπώσει η στρογγυλή ασφάλιση.
- ◆ Κολλήστε ένα μαλακό τμήμα **6** από κάτω στη βάση ατμού **5**.

ΥΠΟΔΕΙΞΗ

- ▶ Εάν θέλετε να καθαρίσετε μοκέτες με την σφουγγαρίστρα ατμού, τοποθετήστε τη βάση ατμού **5** στο δαχτυλίδι για χαλιά **20**. Προσέξτε τότε ώστε η απασφάλιση δαχτυλιδιού για χαλιά **21** να είναι σε μια ευθεία με το στόμιο σύνδεσης **4**. Πιέστε τη βάση ατμού **5** έτσι στο δαχτυλίδι για χαλιά **20**, ώστε να κουμπώσει αισθητά. Έτσι μπορεί το μαλακό τμήμα **6** να γλιστράει επάνω στο χαλί.
- ▶ Για να απομακρύνετε το δαχτυλίδι για χαλιά **20** πιέστε με το πόδι σας στη βοήθεια απασφάλισης δαχτυλιδιού για χαλιά **21** και τραβήξτε τη βάση ατμού **5** προσεκτικά από το δαχτυλίδι για χαλιά **20**.

Χειρισμός και λειτουργία

Σε αυτό το κεφάλαιο λαμβάνετε σημαντικές υποδείξεις για το χειρισμό και τη λειτουργία της συσκευής.

Πλήρωση με νερό

ΠΡΟΣΟΧΗ - ΥΛΙΚΕΣ ΖΗΜΙΕΣ!

- ▶ Ποτέ μη λειτουργείτε τη συσκευή χωρίς νερό στο δοχείο νερού **8**! Αλλιώς η αντλία μπορεί να υπερθερμανθεί και να πάθει ζημιά!
- 1) Ωθήστε το πλήκτρο απασφάλισης «Δοχείο νερού» **9** προς τα κάτω και τραβήξτε ταυτόχρονα το δοχείο νερού **8** γέρνοντας προς τα πίσω και έξω από τη συσκευή.
 - 2) Γυρίστε από την άλλη το δοχείο νερού **8** και ξεβιδώστε την ασφάλεια.

- 3) Γεμίστε με νερό βρύσης έως τη σήμανση MAX στο δοχείο νερού ❸.

ΥΠΟΔΕΙΞΗ

Εάν το νερό βρύσης της περιοχής σας είναι πολύ σκληρό, προτείνεται να αναμιζετε το νερό δικτύου με αποσταγμένο νερό. Αλλιώς τα ακροφύσια για την ώθηση ατμού μπορεί να γεμίσουν πρόωρα με άλατα.

Για την παράταση της άψογης λειτουργίας ώθησης ατμού αναμιζτε το νερό βρύσης με αποσταγμένο νερό σύμφωνα με τον πίνακα:

Σκληρότητα νερού	Αναλογία αποσταγμένου νερού προς νερό βρύσης
πολύ μαλακό/μαλακό	0
μέτριο	1:1
σκληρό	2:1
πολύ σκληρό	3:1

Μπορείτε να μάθετε για τη σκληρότητα νερού στην τοπική εγκατάσταση ύδρευσης.

- 4) Βιδώστε καλά την ασφάλιση.
- 5) Γυρίστε το δοχείο νερού ❸ πάλι και τοποθετήστε το στην κύρια μονάδα ❸: Τοποθετήστε πρώτα το κάτω τμήμα στην κύρια μονάδα ❸ και γείρετε στη συνέχεια το άνω τμήμα στη συσκευή. Πιέστε το καλά, έτσι ώστε το δοχείο νερού ❸ να κουμπώσει αισθητά και να εδράζεται σφιχτά στην κύρια μονάδα ❸.

Χειρισμός

ΠΡΟΣΟΧΗ - ΥΛΙΚΕΣ ΖΗΜΙΕΣ!

- ▶ Εάν δεν είστε σίγουροι εάν το δάπεδο ενδείκνυται για τον καθαρισμό, δοκιμάστε προηγουμένως τη συμβατότητα σε ένα κρυφό σημείο.
- ▶ Προσέχετε πάντα τις υποδείξεις καθαρισμού του κατασκευαστή χαλιού. Πριν την έναρξη του καθαρισμού ελέγχετε επιπρόσθετα εάν το χαλί ενδεικνύται για καθαρισμό με ατμό.
- ▶ Ποτέ μη χρησιμοποιείτε τη συσκευή χωρίς μαλακό τμήμα ❹ στη βάση ατμού ❺. Αλλιώς γδέρνονται τα δάπεδα!
- ▶ Ποτέ μη λειτουργείτε τη συσκευή χωρίς νερό στο δοχείο νερού ❸! Αλλιώς η αντλία μπορεί να υπερθερμανθεί και να πάθει ζημιά!

ΥΠΟΔΕΙΞΗ

- ▶ Προτού καθαρίσετε το δάπεδο με τη σφουγγαρίστρα ατμού, συστήνουμε προηγουμένως να καθαρίσετε το δάπεδο με ηλεκτρική σκούπα, ώστε να απομακρύνετε χαλαρά σωματίδια ρύπων.

Όταν η συσκευή συναρμολογηθεί και έχει γεμίσει με νερό:

- 1) Κρατήστε το πλήκτρο απασφάλισης «Λαβή» **1** πατημένο και γυρίστε τη λαβή προς τα επάνω, έτσι ώστε να κουμπώσει.
- 2) Εάν δεν έχει συμβεί ακόμα: Ξετυλίξτε το καλώδιο δικτύου πλήρως από το άγκιστρο καλωδίου **16/18**. Για μια εύκολη εκτύλιξη του καλωδίου μπορείτε να γυρίσετε το άνω άγκιστρο καλωδίου **16** προς τα κάτω, τραβώντας το λίγο έξω και ταυτόχρονα περιστρέφοντάς το.
- 3) Περάστε το καλώδιο δικτύου μέσα από την εγκοπή **15** στην πίσω πλευρά της λαβής, έτσι ώστε το καλώδιο δικτύου να μην κρέμεται στην περιοχή εργασίας.
- 4) Βάλτε το βύσμα στην πρίζα.
- 5) Θέστε το διακόπτη on/off **17** στο "I". Ο διακόπτης on/off **17** ανάβει, η κόκκινη λυχνία ελέγχου POWER **10** αναβοσβήνει.
- 6) Επιλέξτε με το πλήκτρο MODE **13** την επιθυμητή ένταση της δημιουργίας ατμού:
 - 1 φορά πίεση: λίγη δημιουργία ατμού, η πράσινη λυχνία ελέγχου **12** ανάβει.
 - 2 φορές πίεση: υψηλή δημιουργία ατμού, η κόκκινη λυχνία ελέγχου **11** ανάβει.
 - 3 φορές πίεση: χωρίς δημιουργία ατμού, λειτουργία ετοιμότητας, η λυχνία ελέγχου POWER **10** ανάβει.

ΥΠΟΔΕΙΞΗ

- Η βαθμίδα ατμού με την υψηλή δημιουργία ατμού συστήνεται κυρίως για επενδύσεις δαπέδων χωρίς ευαισθησία στην υγρασία και τη θερμότητα όπως είναι τα πλακάκια.
 - Η βαθμίδα ατμού με την ελάχιστη δημιουργία ατμού συστήνεται για επενδύσεις δαπέδων με ευαισθησία στην υγρασία και τη θερμότητα όπως είναι π.χ. το δάπεδο παρκέ.
- 7) Περιμένετε περ. 30 δευτερόλεπτα, κατά τη διάρκεια των οποίων η συσκευή ζεσταίνεται.
 - 8) Πιέστε το πλήκτρο "Ατμός" **14**. Η συσκευή ξεκινάει με τη δημιουργία ατμού και μετά από σύντομο χρόνο εμφανίζεται ατμός από το μαλακό τμήμα **6**.
 - 9) Σκουπίστε πάνω από τις επιθυμητές επιφάνειες.
Εάν κατά τη διάρκεια της χρήσης αδειάσει το δοχείο νερού **8**:

ΥΠΟΔΕΙΞΗ

- Όταν το δοχείο νερού **8** αδειάσει με άντληση, η αντλία συνεχίζει να λειτουργεί ακόμα λίγο έως ότου φανεί ότι το δοχείο νερού **8** έχει αδειάσει μέσω ταυτόχρονου αναβοσβήσματος της κόκκινης λυχνίας ελέγχου «υψηλή ισχύς ατμού» **11**, της πράσινης λυχνίας ελέγχου «ελάχιστη ισχύς ατμού» **12** και της λυχνίας ελέγχου POWER **10**.
 - Πιέστε εκ νέου το πλήκτρο "Ατμός" **14**, για να σταματήσετε τη λειτουργία ατμού.
 - Θέστε το διακόπτη on/off **17** στο "O".
 - Απομακρύνετε το δοχείο νερού **8**, γεμίστε το και τοποθετήστε πάλι το δοχείο νερού **8**, όπως περιγράφεται στο κεφάλαιο "Πλήρωση νερού".
 - Θέστε το διακόπτη on/off **17** στο "I".

- Επιλέξτε την επιθυμητή ισχύ ατμού όπως περιγράφεται παραπάνω και πιέστε το πλήκτρο "Ατμός" **14**.
- 10) Όταν τελειώσετε με την επεξεργασία όλων των επιφανειών, πιέστε το πλήκτρο "Ατμός" **14** για να σταματήσετε τη δημιουργία ατμού.
- 11) Θέστε το διακόπτη on/off **17** στο "Ο". Η λυχνία ελέγχου POWER **10** σβήνει.
- 12) Τραβήξτε το βύσμα από την πρίζα.

ΥΠΟΔΕΙΞΗ

- ▶ Εάν μετά τον καθαρισμό με τη συσκευή φαίνονται γραμμές στο δάπεδο, μπορεί αυτό να οφείλεται στα προηγούμενα απορροπαντικά που χρησιμοποιήθηκαν. Απλά καθαρίστε το δάπεδο ξανά με τη σφουγγαρίστρα ατμού. Οι γραμμές θα πρέπει μετά να έχουν εξαφανιστεί.

Μετά τη χρήση

- 1) Αφήστε τη συσκευή να κρυώσει.
- 2) Απομακρύνετε το μαλακό τμήμα **6**.
- 3) Αφαιρέστε το δοχείο νερού **8** από τη συσκευή και αδειάστε το.
- 4) Τραβήξτε λίγο έξω το άνω άγκιστρο καλωδίου **16** και γυρίστε το πάλι προς τα επάνω. Τυλίξτε το καλώδιο δικτύου γύρω από τα δύο άγκιστρα καλωδίου **16/18**. Στερεώστε το άκρο του καλωδίου δικτύου με τη βοήθεια του κλιπ καλωδίου, το οποίο βρίσκεται στο καλώδιο.

Καθαρισμός και φροντίδα

ΚΙΝΔΥΝΟΣ ΑΠΟ ΗΛΕΚΤΡΟΠΛΗΞΙΑ!

- ▶ Πριν από κάθε καθαρισμό τραβάτε το βύσμα!

ΠΡΟΕΙΔΟΠΟΙΗΣΗ - ΚΙΝΔΥΝΟΣ ΤΡΑΥΜΑΤΙΣΜΟΥ!

- ▶ Αφήνετε πρώτα τη συσκευή να κρυώνει καλά πριν την καθαρίσετε. Κίνδυνος εγκαύματος!

ΠΡΟΣΟΧΗ - ΥΛΙΚΕΣ ΖΗΜΙΕΣ

- ▶ Για τον καθαρισμό των επιφανειών μη χρησιμοποιείτε ούτε αιχμηρά τριβικά ή χημικά απορροπαντικά, ούτε και μυτερά αντικείμενα ή αντικείμενα που γρατζουνάνε.
- Αδειάζετε μετά από κάθε χρήση το δοχείο νερού **8**.
- Μετά από κάθε χρήση απομακρύνετε το μαλακό τμήμα **6** από τη βάση ατμού **5** και πλένετέ το.

- Λαμβάνετε υπόψη τις ακόλουθες οδηγίες πλύσης όταν καθαρίζετε το μαλακό τμήμα **6** στο πλυντήριο ρούχων:

	πλένετε το μέγ. στους 60°
	μη στεγνώνετε στο στεγνωτήριο
	μη σιδερώνετε

- Εάν απαιτείται σκουπίζετε τη συσκευή με ένα υγρό πανί. Σε περίπτωση σκληρών ακαθαρσιών ρίξτε λίγο ήπιο απορρυπαντικό επάνω στο πανί.

Συντήρηση/Αλλαγή φίλτρου

Μετά από 4 - 6 μήνες ή περ. 100 κύκλους καθαρισμού (ένας κύκλος αντιστοιχεί σε μια πλήρωση δοχείου νερού), το φίλτρο **7** πρέπει να αντικατασταθεί. Για ανταλλακτικά φίλτρα να απευθύνεστε στο σέρβις μας.

ΚΙΝΔΥΝΟΣ ΑΠΟ ΗΛΕΚΤΡΟΠΛΗΞΙΑ!

► Πριν από την αντικατάσταση του φίλτρου **7** αποσυνδέετε το βύσμα!

- 1) Για την απομάκρυνση του φίλτρου **7**, απομακρύνετε πρώτα το δοχείο νερού **8** από τη συσκευή.
- 2) Τραβήξτε το φίλτρο **7** προς τα επάνω και έξω από τη συσκευή.
- 3) Τοποθετήστε το νέο φίλτρο **7**.
- 4) Τοποθετήστε το δοχείο νερού **8**.

Διόρθωση σφαλμάτων

Πρόγραμμα	Πιθανές αιτίες	Πιθανές λύσεις
Η συσκευή δε λειτουργεί.	Το βύσμα δικτύου δεν έχει συνδεθεί.	Συνδέστε τη συσκευή σε μια πρίζα.
Η συσκευή δεν δημιουργεί ατμό.	Το πλήκτρο "Ατμός" 14 δεν έχει πατηθεί.	Πιέστε το πλήκτρο "Ατμός" 14 .
	Δεν υπάρχει νερό στο δοχείο νερού 8 .	Γεμίστε το δοχείο νερού 8 με νερό.
	Το φίλτρο 7 έχει βουλώσει.	Αντικαταστήστε το φίλτρο 7 .
	Δεν έχει επιλεγεί ισχύς ατμού.	Επιλέξτε με το πλήκτρο MODE 13 την επιθυμητή ισχύ ατμού.
Η αντλία δημιουργεί ασυνήθιστα δυνατούς θορύβους.	Δεν υπάρχει νερό στο δοχείο νερού 8 .	Γεμίστε το δοχείο νερού 8 με νερό.
Δημιουργήθηκε ένα περιθώριο άσπρου χρώματος στο δάπεδο, στο σημείο όπου η συσκευή σταμάτησε για λίγο κατά τη διάρκεια της λειτουργίας.	Έγινε μικρή εναπόθεση αλάτων.	Σκουπίστε και απομακρύνετε τις εναποθέσεις αλάτων με ένα υγρό πανί. Εάν απαιτείται προσθέστε λίγο προϊόν αφαίρεσης αλάτων στο πανί.

Φύλαξη

- Διπλώστε τη λαβή, πιέζοντας το πλήκτρο απασφάλισης "Λαβή" ❶.
- Τραβήξτε λίγο έξω το άνω άγκιστρο καλωδίου ❷ και γυρίστε το πάλι προς τα επάνω. Τυλίξτε το καλώδιο δικτύου γύρω από τα δύο άγκιστρα καλωδίου ❷/❸.
- Μεταφέρετε τη συσκευή από τη λαβή μεταφοράς ❷.
- Φυλάτε τη συσκευή σε ένα στεγνό χώρο χωρίς σκόνη.

Απόρριψη



Σε καμία περίπτωση μην απορρίπτετε τη συσκευή στα οικιακά απορρίμματα. Αυτό το προϊόν υπόκειται στην Ευρωπαϊκή Οδηγία 2012/19/EU-WEEE (Waste Electrical and Electronic Equipment - Απόρριψη ηλεκτρικών και ηλεκτρονικών συσκευών).

Απορρίπτετε τη συσκευή μέσω μιας εγκεκριμένης επιχείρησης απόρριψης ή μέσω της κοινοτικής επιχείρησης απόρριψης. Τηρείτε τις ισχύουσες προδιαγραφές. Σε περίπτωση αμφιβολιών επικοινωνείτε με την αρμόδια επιχείρηση απόρριψης.

Παράρτημα

Τεχνικά χαρακτηριστικά

Τροφοδοσία τάσης	220 - 240 V ~ (εναλλασσόμενο ρεύμα) 50/60 Hz
Κατανάλωση ισχύος	1370 - 1630 W
Είδος προστασίας	IPX4 Προστασία από εκτοξευόμενο νερό από όλες τις κατευθύνσεις

Πληροφορίες για τα μαλακά τμήματα ❷/❸

Σύνθεση υλικού	100% πολυεστέρας
	πλύνετε το μέγ. στους 60°
	μη στεγνώνετε στο στεγνωτήριο
	μη σιδερώνετε

Εγγύηση της Kompnass Handels GmbH

Αξιότιμη πελάτισσα, αξιότιμε πελάτη,

Η παρούσα συσκευή διαθέτει 3 χρόνια εγγύηση από την ημερομηνία αγοράς. Στην περίπτωση ελλείψεων στο προϊόν έχετε νομικά δικαιώματα έναντι του πωλητή του προϊόντος. Αυτά τα νομικά δικαιώματα δεν περιορίζονται μέσω της κατωτέρω αναφερόμενης εγγύησης.

Προϋποθέσεις εγγύησης

Η περίοδος εγγύησης ξεκινάει κατά την ημερομηνία αγοράς. Φυλάξτε καλά την πρωτότυπη απόδειξη ταμείου. Αυτό το έγγραφο απαιτείται ως απόδειξη για την αγορά.

Εάν, εντός τριών ετών από την ημερομηνία αγοράς, προκύψει στο προϊόν αυτό σφάλμα υλικού ή κατασκευής, κατόπιν κρίσης μας, επισκευάζουμε ή αντικαθιστούμε το προϊόν για εσάς δωρεάν. Η παρούσα εγγύηση προϋποθέτει ότι εντός της περιόδου τριών ετών η ελαττωματική συσκευή και η απόδειξη αγοράς (απόδειξη ταμείου) θα υποβληθούν μαζί με σύντομη περιγραφή σχετικά με το που βρίσκεται η έλλειψη και τότε προέκυψε.

Εάν το ελάττωμα καλύπτεται από την εγγύησή μας, θα λάβετε το επισκευασμένο ή ένα νέο προϊόν.

Περίοδος εγγύησης και νομικές απαιτήσεις λόγω ελλείψεων

Ο χρόνος εγγύησης δεν παρατείνεται μέσω της παροχής εγγύησης. Αυτό ισχύει και για εξαρτήματα, τα οποία έχουν αντικατασταθεί και επισκευαστεί. Ενδεχόμενες ήδη υπάρχουσες ζημιές και ελλείψεις κατά την αγορά πρέπει να γνωστοποιούνται αμέσως μετά την αποσυσκευασία. Μετά τη λήξη του χρόνου εγγύησης, τυχόν εμφανιζόμενες επισκευές χρεώνονται.

Εύρος εγγύησης

Η συσκευή κατασκευάστηκε σύμφωνα με αυστηρές οδηγίες ποιότητας και ελέγχθηκε προσεκτικά πριν από την αποστολή.

Η απόδοση εγγύησης ισχύει για σφάλματα υλικού ή κατασκευής. Η παρούσα εγγύηση δεν εκτείνεται σε τμήματα του προϊόντος, τα οποία εκτίθενται σε φυσιολογική φθορά και έτσι μπορεί να θεωρούνται εξαρτήματα φθοράς ή για ζημιές σε εύθραυστα εξαρτήματα, π.χ. διακόπτες, συσσωρευτές, ταψιά ή εξαρτήματα που είναι κατασκευασμένα από γυαλί.

Η παρούσα εγγύηση ακυρώνεται εάν προκληθεί ζημιά στο προϊόν, εάν δεν γίνεται σωστή χρήση ή συντήρηση. Για μια σωστή χρήση του προϊόντος πρέπει να τηρούνται επακριβώς οι αναφερόμενες υποδείξεις στις οδηγίες χειρισμού. Σκοποί χρήσης και χειρισμοί που δεν συνιστώνται ή για τους οποίους υπάρχει προειδοποίηση πρέπει απαραίτητα να αποφεύγονται.

Το προϊόν προορίζεται μόνο για ιδιωτική και όχι για επαγγελματική χρήση. Σε περίπτωση κακής μεταχείρισης και ακατάλληλης χρήσης, χρήσης βίας και παρεμβάσεων, οι οποίες δεν διεξήχθησαν από το εξουσιοδοτημένο μας τμήμα σέρβις, η εγγύηση παύει να ισχύει.

Διαδικασία σε περίπτωση εγγύησης

Για την εξασφάλιση γρήγορης επεξεργασίας του ζητήματός σας, τηρείτε τις ακόλουθες υποδείξεις:

- Για όλες τις ερωτήσεις έχετε έτοιμη την απόδειξη αγοράς και τον κωδικό προϊόντος (π.χ. IAN 12345) ως απόδειξη για την αγορά.
- Μπορείτε να βρείτε τον κωδικό προϊόντος στην πινακίδα τύπου, χαραγμένο, στην πρώτη σελίδα των οδηγιών σας (κάτω αριστερά) ή σε αυτοκόλλητο στην πίσω ή κάτω πλευρά.
- Εάν προκύψουν σφάλματα λειτουργίας ή άλλες ελλείψεις, επικοινωνήστε κατ' αρχήν με το ακόλουθο αναφερόμενο τμήμα σέρβις **τηλεφωνικά ή με E-Mail**.
- Ένα προϊόν που θεωρείται ελαττωματικό μπορείτε να το αποστείλετε ατελώς στην αναφερόμενη διεύθυνση του σέρβις επισυνάπτοντας την απόδειξη αγοράς (απόδειξη ταμείου) και αναφέροντας που βρίσκεται η έλλειψη και τότε εμφανίστηκε.



Στην ιστοσελίδα www.lidl-service.com μπορείτε να κατεβάσετε το παρόν και πολλά άλλα εγχειρίδια, βίντεο προϊόντων και λογισμικό.

Σέρβις

GR Σέρβις Ελλάδα
Tel.: 801 5000 019 (0,03 EUR/Min.)
E-Mail: kompennass@lidl.gr

CY Σέρβις Κύπρος
Tel.: 8009 4409
E-Mail: kompennass@lidl.com.cy

IAN 280641

Εισαγωγέας

Η ακόλουθη διεύθυνση δεν είναι διεύθυνση σέρβις. Επικοινωνήστε, κατ' αρχήν, με την αναφερόμενη υπηρεσία σέρβις.

KOMPERNASS HANDELS GMBH
BURGSTRASSE 21
44867 BOCHUM
GERMANY
www.kompennass.com

Παραγγελία ανταλλακτικών

Μπορείτε να παραγγείλετε τα ακόλουθα ανταλλακτικά για το προϊόν SDM 1500 C2:



► 2 x Εφεδρικό μαλακό τμήμα



► 1 x Φίλτρο

Παραγγείλτε τα ανταλλακτικά μέσω της ανοιχτής γραμμής σέρβις (βλ. Κεφάλαιο «Σέρβις») ή άμεσα μέσω της ιστοσελίδας μας www.kompernass.com.



ΥΠΟΔΕΙΞΗ

- Για την παραγγελία σας να έχετε έτοιμο τον αριθμό IAN που θα βρείτε στο κάλυμμα αυτών των οδηγιών χρήσης.

Inhaltsverzeichnis

Einführung	38
Informationen zu dieser Bedienungsanleitung	38
Urheberrecht	38
Bestimmungsgemäße Verwendung	38
Sicherheitshinweise	39
Bedienelemente	42
Auspacken und Anschließen	43
Sicherheitshinweise	43
Lieferumfang und Transportinspektion	43
Auspacken	43
Entsorgung der Verpackung	44
Gerät montieren	44
Bedienung und Betrieb	44
Wasser auffüllen	44
Bedienen	45
Nach dem Gebrauch	47
Reinigung und Pflege	47
Wartung/Filter wechseln	48
Fehlerbehebung	49
Aufbewahren	49
Entsorgung	50
Anhang	50
Technische Daten	50
Garantie der Kompernaß Handels GmbH	51
Service	52
Importeur	52
Ersatzteile bestellen	53

Einführung

Informationen zu dieser Bedienungsanleitung

Herzlichen Glückwunsch zum Kauf Ihres neuen Gerätes.

Sie haben sich damit für ein hochwertiges Produkt entschieden. Die Bedienungsanleitung ist Bestandteil dieses Produkts. Sie enthält wichtige Hinweise für Sicherheit, Gebrauch und Entsorgung. Machen Sie sich vor der Benutzung des Produkts mit allen Bedien- und Sicherheitshinweisen vertraut. Benutzen Sie das Produkt nur wie beschrieben und für die angegebenen Einsatzbereiche. Händigen Sie alle Unterlagen bei Weitergabe des Produkts an Dritte mit aus.

Urheberrecht

Diese Dokumentation ist urheberrechtlich geschützt.

Jede Vervielfältigung, bzw. jeder Nachdruck, auch auszugsweise sowie die Wiedergabe der Abbildungen, auch im veränderten Zustand ist nur mit schriftlicher Zustimmung des Herstellers gestattet.

Bestimmungsgemäße Verwendung

Dieses Gerät dient ausschließlich dem Reinigen von Fußböden im Innenbereich. Eine andere oder darüber hinausgehende Benutzung gilt als nicht bestimmungsgemäß. Das Gerät ist nicht zur Verwendung in gewerblichen oder industriellen Bereichen vorgesehen.

Ansprüche jeglicher Art wegen Schäden aus nicht bestimmungsgemäßer Verwendung, unsachgemäßen Reparaturen, unerlaubt vorgenommener Veränderungen oder Verwendung nicht zugelassener Ersatzteile sind ausgeschlossen. Das Risiko trägt allein der Betreiber.

Sicherheitshinweise



GEFAHR DURCH ELEKTRISCHEN SCHLAG!

- ▶ Schließen Sie das Gerät nur an eine vorschriftsmäßig installierte Netzsteckdose mit einer Netzspannung von 220 - 240 V ~, 50/60 Hz an.
- ▶ Ziehen Sie bei Betriebsstörungen, und bevor Sie das Gerät reinigen, den Netzstecker aus der Netzsteckdose.
- ▶ Ziehen Sie das Netzkabel stets am Netzstecker aus der Netzsteckdose, ziehen Sie nicht am Kabel selbst.
- ▶ Knicken oder quetschen Sie das Netzkabel nicht und verlegen Sie das Netzkabel so, dass niemand darauf treten oder darüber stolpern kann.
- ▶ Lassen Sie beschädigte Netzstecker oder Netzkabel sofort von autorisiertem Fachpersonal oder dem Kundenservice austauschen, um Gefährdungen zu vermeiden.
- ▶ Achten Sie darauf, dass im Betrieb das Netzkabel nicht nass oder feucht wird. Führen Sie es so, dass es nicht eingeklemmt oder beschädigt werden kann.
- ▶ Sollte das Gerät beschädigt sein, benutzen Sie dieses nicht weiter, um Gefährdungen zu vermeiden.
- ▶ Ziehen Sie erst den Stecker aus der Steckdose, bevor Sie das Gerät mit Wasser befüllen, reinigen oder Zubehörteile wechseln.



Verwenden Sie das Gerät nur in trockenen Räumen, nicht im Freien.

- ▶ Tauchen Sie das Gerät niemals in Wasser oder andere Flüssigkeiten ein!
- ▶ Richten Sie den Dampf niemals direkt auf elektrische Geräte oder Einrichtungen, die elektrische Bauteile enthalten, wie zum Beispiel den Innenraum von Öfen.

GEFAHR DURCH ELEKTRISCHEN SCHLAG!

- ▶ Verwenden Sie das Gerät nur mit trockenen Händen und nicht ohne Schuhe (nicht barfuß). Damit verringern Sie im Fehlerfall gefährliche Körperströme.
- ▶ Richten Sie das Gerät nie auf feuchteempfindliche Gegenstände.
- ▶ Dieses Gerät kann von Personen mit verringerten physischen, sensorischen oder mentalen Fähigkeiten oder Mangel an Erfahrung und Wissen benutzt werden, wenn sie beaufsichtigt oder bezüglich des sicheren Gebrauchs des Gerätes unterwiesen wurden und die daraus resultierenden Gefahren verstehen. Kinder dürfen nicht mit dem Gerät spielen. Reinigung und Benutzer-Wartung dürfen nicht von Kindern ohne Beaufsichtigung durchgeführt werden.

WARNUNG! VERLETZUNGSGEFAHR!

- ▶ Einige Teile des Gerätes werden bei Verwendung heiß!
Es besteht Verbrühungsgefahr!
- ▶ Lassen Sie die verwendeten Zubehörteile erst abkühlen, bevor Sie diese abnehmen.
- ▶ Verwenden Sie nur die Original-Zubehörteile zu diesem Gerät. Andere Teile sind dafür möglicherweise nicht ausreichend sicher.
- ▶ Das Gerät darf nicht verwendet werden, wenn es heruntergefallen ist, wenn offensichtliche Beschädigungen sichtbar sind oder wenn es undicht ist.
- ▶ Das Gerät ist von Kindern fernzuhalten wenn es eingeschaltet ist oder sich abkühlt.
- ▶ Richten Sie niemals den Dampf auf Menschen oder Tiere. Heißer Dampf kann erhebliche Verletzungen bewirken!
- ▶ Ziehen Sie bei jeder Unterbrechung sowie nach Beenden des Gebrauchs und vor jeder Reinigung den Netzstecker aus der Steckdose.

! VERBRENNUNGSGEFAHR!

Vorsicht! Heiße Oberfläche!



Dieses Symbol warnt Sie vor austretendem Dampf. Beachten Sie die Sicherheitshinweise!

! ACHTUNG! SACHSCHADEN!

- ▶ Benutzen Sie das Gerät ausschließlich auf Fußböden aus Marmor, Stein, Fliesen, Parkett oder Hartholz, welche behandelt und wasserundurchlässig sind.
- ▶ Benutzen Sie das Gerät niemals...
 - ... auf unbehandelten oder wasserdurchlässigen Fußböden,
 - ... auf Glasoberflächen,
 - ... auf weichen Kunststoffoberflächen,
 - ... auf Böden, die mit Wachs behandelt sind,
 - ... auf Teppichen mit Wollanteil.
- ▶ Beachten Sie stets die Reinigungshinweise des Teppichherstellers. Prüfen Sie vor Beginn der Reinigung zusätzlich, ob der Teppich für die Dampfreinigung geeignet ist.
- ▶ Benutzen Sie das Gerät nur auf Parkettböden, wenn dieser hartversiegelt ist.
- ▶ Lassen Sie das Gerät nicht längere Zeit eingeschaltet auf Holzfußböden stehen. Das Holz könnte quellen.
- ▶ Betreiben Sie das Gerät nicht mit leerem Wassertank. Ansonsten kann die Pumpe leerlaufen und überhitzen.
- ▶ Benutzen Sie keine externe Zeitschaltuhr oder ein separates Fernwirkssystem, um das Gerät zu betreiben.

ACHTUNG! SACHSCHADEN!

- ▶ Lassen Sie das Gerät während des Betriebes niemals unbeaufsichtigt.
- ▶ Benutzen Sie das Gerät nicht im Freien.
- ▶ Stellen Sie sicher, dass das Gerät, das Netzkabel oder der Netzstecker nicht mit heißen Quellen, wie Kochplatten oder offenen Flammen, in Berührung kommen.

Bedienelemente

Abbildung A:

- ❶ Entriegelungstaste „Griff“
- ❷ Tragegriff
- ❸ Haupteinheit
- ❹ Verbindungstülle
- ❺ Dampffuß
- ❻ Pad
- ❼ Filter
- ❽ Wassertank
- ❾ Entriegelungstaste „Wassertank“
- ❿ Kontrollleuchte POWER
- ⓫ rote Kontrollleuchte „hohe Dampfstärke“
- ⓬ grüne Kontrollleuchte „geringe Dampfstärke“
- ⓭ Taste MODE
- ⓮ Taste „Dampf“

Abbildung B:

- ❶⓫ Einkerbung
- ❶⓬ oberer Kabelhaken
- ❶⓭ Ein-/Aus-Schalter
- ❶⓮ unterer Kabelhaken

Abbildung C:

- ❶⓫ Ersatzpad
- ❶⓬ Teppichring
- ❶⓭ Teppichring-Entriegelungshilfe

Auspacken und Anschließen

Sicherheitshinweise

WARNUNG

Bei der Inbetriebnahme des Gerätes können Personen- und Sachschäden auftreten!

Beachten Sie die folgenden Sicherheitshinweise, um die Gefahren zu vermeiden:

- ▶ Verpackungsmaterialien dürfen nicht zum Spielen verwendet werden. Es besteht Erstickungsgefahr.

Lieferumfang und Transportinspektion

Das Gerät wird standardmäßig mit folgenden Komponenten geliefert (siehe Ausklappseite):

- Haupteinheit
- Dampffuß
- Teppichreinigungsring
- 2 Pads
- Bedienungsanleitung

HINWEIS

- ▶ Prüfen Sie die Lieferung auf Vollständigkeit und auf sichtbare Schäden.
- ▶ Bei einer unvollständigen Lieferung oder Schäden infolge mangelhafter Verpackung oder durch Transport wenden Sie sich an die Service-Hotline (siehe Kapitel Service).

Auspacken

- ◆ Entnehmen Sie alle Teile des Gerätes und die Bedienungsanleitung aus dem Karton.
- ◆ Entfernen Sie sämtliches Verpackungsmaterial und eventuelle Folien und Aufkleber.

Entsorgung der Verpackung

Die Verpackung schützt das Gerät vor Transportschäden. Die Verpackungsmaterialien sind nach umweltverträglichen und entsorgungstechnischen Gesichtspunkten ausgewählt und deshalb recyclebar.



Die Rückführung der Verpackung in den Materialkreislauf spart Rohstoffe und verringert das Abfallaufkommen. Entsorgen Sie nicht mehr benötigte Verpackungsmaterialien gemäß den örtlich geltenden Vorschriften.

HINWEIS

- ▶ Heben Sie wenn möglich die Originalverpackung während der Garantiezeit des Gerätes auf, um das Gerät im Garantiefall ordnungsgemäß verpacken zu können.

Gerät montieren

- ◆ Schieben Sie die Haupteinheit **3** in die Verbindungsstülpe **4** am Dampffuß **5** und drücken Sie die Haupteinheit **3** soweit herunter, dass die runde Arretierung einrastet.
- ◆ Kletten Sie ein Pad **6** von unten auf den Dampffuß **5**.

HINWEIS

- ▶ Wenn Sie Teppichböden mit dem Dampfmopp reinigen wollen, setzen Sie den Dampffuß **5** auf den Teppichring **20**. Achten Sie dabei darauf, dass die Teppichring-Entriegelungshilfe **21** in einer Linie mit der Verbindungsstülpe **4** liegt. Drücken Sie den Dampffuß **5** so auf den Teppichring **20**, sodass dieser spürbar einrastet. So kann das Pad **6** über den Teppich gleiten.
- ▶ Um den Teppichring **20** zu entfernen, drücken Sie Ihren Fuß auf die Teppichring-Entriegelungshilfe **21** und ziehen Sie den Dampffuß **5** vorsichtig vom Teppichring **20** ab.

Bedienung und Betrieb

In diesem Kapitel erhalten Sie wichtige Hinweise zur Bedienung und Betrieb des Gerätes.

Wasser auffüllen

ACHTUNG - SACHSCHADEN!

- ▶ Betreiben Sie das Gerät niemals ohne Wasser im Wassertank **8**! Die Pumpe kann ansonsten heißlaufen und beschädigt werden!

- 1) Schieben Sie die Entriegelungstaste „Wassertank“ **9** nach unten und ziehen Sie gleichzeitig den Wassertank **8** mit einer Kippbewegung nach hinten aus dem Gerät.
- 2) Drehen Sie den Wassertank **8** um und schrauben Sie den Verschluss ab.

- 3) Füllen Sie Leitungswasser bis zur Markierung MAX auf dem Wassertank 8 ein.

HINWEIS

Sollte das Leitungswasser Ihres Wohnortes zu hart sein, empfiehlt es sich, das Leitungswasser mit destilliertem Wasser zu mischen. Ansonsten können die Düsen für die Dampfstoß-Funktion vorzeitig verkalken.

Zur Verlängerung der optimalen Dampfstoß-Funktion mischen Sie das Leitungswasser mit destilliertem Wasser entsprechend der Tabelle:

Wasserhärte	Anteil destilliertes Wasser zu Leitungswasser
sehr weich/weich	0
mittel	1:1
hart	2:1
sehr hart	3:1

Die Wasserhärte können Sie beim örtlichem Wasserwerk erfragen.

- 4) Schrauben Sie den Verschluss handfest auf.
- 5) Drehen Sie den Wassertank 8 wieder um setzen Sie diesen in die Haupteinheit 3 ein: Setzen Sie zuerst den unteren Teil in die Haupteinheit 3 und kippen Sie dann den oberen Teil in das Gerät. Drücken Sie ihn fest an, so dass der Wassertank 8 spürbar einrastet und fest in der Haupteinheit 3 sitzt.

Bedienen

ACHTUNG - SACHSCHADEN!

- ▶ Wenn Sie nicht sicher sind, ob der Fußboden für die Reinigung geeignet ist, testen Sie die Verträglichkeit vorab an einer versteckten Stelle.
- ▶ Beachten Sie stets die Reinigungshinweise des Teppichherstellers. Prüfen Sie vor Beginn der Reinigung zusätzlich, ob der Teppich für die Dampfreinigung geeignet ist.
- ▶ Benutzen Sie das Gerät niemals ohne Pad 6 auf dem Dampffuß 5. Ansonsten werden die Fußböden verkratzt!
- ▶ Betreiben Sie das Gerät niemals ohne Wasser im Wassertank 8! Die Pumpe kann ansonsten heißlaufen und beschädigt werden!

HINWEIS

- ▶ Bevor Sie den Fußboden mit dem Dampfmoop reinigen, empfehlen wir den Fußboden vorher zu saugen, um lose Schmutzpartikel zu beseitigen.

Wenn das Gerät fertig montiert und Wasser eingefüllt ist:

- 1) Halten Sie die Entriegelungstaste „Griff“ **1** gedrückt und klappen Sie den Griff nach oben, so dass dieser einrastet.
- 2) Falls noch nicht geschehen: Wickeln Sie das Netzkabel vollständig von den Kabelhaken **16**/**18**. Zum leichten Abwickeln des Kabels können Sie den oberen Kabelhaken **16** nach unten klappen, indem Sie diesen etwas herausziehen und gleichzeitig drehen.
- 3) Führen Sie das Netzkabel durch die Einkerbung **15** an der Rückseite des Griffs, so dass das Netzkabel nicht im Arbeitsbereich hängt.
- 4) Stecken Sie den Netzstecker in die Netzsteckdose.
- 5) Stellen Sie den Ein-/Aus-Schalter **17** auf „I“. Der Ein-/Aus-Schalter **17** leuchtet, die rote Kontrollleuchte POWER **10** blinkt.
- 6) Wählen Sie mit der Taste MODE **13** die gewünschte Intensität der Dampferzeugung:
 - 1 x drücken: wenig Dampferzeugung, grüne Kontrollleuchte **12** leuchtet.
 - 2 x drücken: hohe Dampferzeugung, rote Kontrollleuchte **11** leuchtet.
 - 3 x drücken: keine Dampferzeugung, Bereitschaftsbetrieb, Kontrollleuchte POWER **10** leuchtet.

HINWEIS

- ▶ Die Dampfstufe mit der hohen Dampferzeugung empfehlen wir vor allem für feuchtigkeits- und hitzeunempfindliche Bodenbeläge wie Fliesen.
- ▶ Die Dampfstufe mit der geringen Dampferzeugung empfehlen wir für feuchtigkeits- und hitzeempfindlichere Bodenbeläge wie z. B. Parkett.

- 7) Warten Sie ca. 30 Sekunden ab, in denen das Gerät aufheizt.
- 8) Drücken Sie die Taste „Dampf“ **14**. Das Gerät beginnt mit der Dampferzeugung und nach kurzer Zeit tritt Dampf durch das Pad **6**.
- 9) Wischen Sie über die gewünschten Flächen.

HINWEIS

- ▶ Wenn der Wassertank **8** leer gepumpt ist, läuft die Pumpe noch einige Zeit nach, bis der leere Wassertank **8** durch gleichzeitiges Blinken der roten Kontrollleuchte „hohe Dampfstärke“ **11**, der grünen Kontrollleuchte „geringe Dampfstärke“ **12** und der Kontrollleuchte POWER **10** angezeigt wird.

Wenn während der Benutzung der Wassertank **8** leer ist:

- Drücken Sie erneut die Taste „Dampf“ **14** um die Dampfproduktion zu stoppen.
- Stellen Sie den Ein-/Aus-Schalter **17** auf „O“.
- Entnehmen Sie den Wassertank **8**, befüllen Sie diesen und setzen Sie den Wassertank **8** wieder ein, wie im Kapitel „Wasser auffüllen“ beschrieben.

- Stellen Sie den Ein-/Aus-Schalter **17** auf „I“.
 - Wählen Sie die gewünschte Dampfstärke wie oben beschrieben und drücken Sie die Taste „Dampf“ **14**.
- 10) Wenn Sie mit der Bearbeitung aller Flächen fertig sind, drücken Sie die Taste „Dampf“ **14** um die Dampferzeugung zu stoppen.
- 11) Stellen Sie den Ein-/Aus-Schalter **17** auf „O“. Die Kontrollleuchte POWER **10** erlischt.
- 12) Ziehen Sie den Netzstecker aus der Netzsteckdose.

HINWEIS

- ▶ Wenn nach der Reinigung mit dem Gerät auf dem Boden Schlieren zu sehen sind, kann das an den zuvor verwendeten Reinigungsmitteln liegen. Reinigen Sie den Boden einfach erneut mit dem Dampfmopp. Die Schlieren sollten dann verschwunden sein.

Nach dem Gebrauch

- 1) Lassen Sie das Gerät abkühlen.
- 2) Entfernen Sie das Pad **6**.
- 3) Nehmen Sie den Wassertank **8** aus dem Gerät und entleeren Sie diesen.
- 4) Ziehen Sie den oberen Kabelhaken **16** ein wenig heraus und drehen Sie diesen wieder nach oben. Wickeln Sie das Netzkabel um die beiden Kabelhaken **16/18**.
Fixieren Sie das Ende des Netzkabels mithilfe des Kabelclips, welcher sich am Kabel befindet.

Reinigung und Pflege

GEFAHR DURCH ELEKTRISCHEN SCHLAG!

- ▶ Ziehen Sie vor jeder Reinigung den Netzstecker!


WARNUNG - VERLETZUNGSGEFAHR!

- ▶ Lassen Sie das Gerät erst abkühlen, bevor Sie es reinigen. Verbrennungsgefahr!

ACHTUNG - SACHSCHADEN

- ▶ Benutzen Sie zur Reinigung der Oberflächen weder scharfe Scheuer- oder chemischen Reinigungsmittel, noch spitze oder kratzende Gegenstände.
- Entleeren Sie nach jedem Gebrauch den Wassertank **8**.
- Nehmen Sie nach jedem Gebrauch das Pad **6** vom Dampffuß **5** und waschen Sie es aus.

- Beachten Sie folgende Waschanweisungen, wenn Sie das Pad **6** in der Waschmaschine reinigen:

	max. bei 60° waschen
	nicht im Trockner trocknen
	nicht bügeln

- Wischen Sie bei Bedarf das Gerät mit einem feuchten Tuch ab. Bei hartnäckigeren Verschmutzungen geben Sie ein mildes Spülmittel auf das Tuch.

Wartung/Filter wechseln

Nach 4 - 6 Monaten oder ca. 100 Reinigungszyklen (ein Zyklus entspricht einer Wassertankfüllung), muss der Filter **7** gewechselt werden. Bitte wenden Sie sich für Ersatzfilter an unseren Service.

GEFAHR DURCH ELEKTRISCHEN SCHLAG!

- ▶ Ziehen Sie vor dem Wechsel des Filters **7** den Netzstecker!

- 1) Zum Entfernen des Filters **7**, nehmen Sie zuerst den Wassertank **8** aus dem Gerät.
- 2) Ziehen Sie den Filter **7** nach oben aus dem Gerät.
- 3) Setzen Sie den neuen Filter **7** ein.
- 4) Setzen Sie den Wassertank **8** ein.

Fehlerbehebung

Programm	Mögliche Ursachen	Mögliche Lösungen
Das Gerät funktioniert nicht.	Der Netzstecker ist nicht angeschlossen.	Schließen Sie das Gerät an eine Netzsteckdose an.
Das Gerät erzeugt keinen Dampf.	Die Taste „Dampf“ 14 ist nicht gedrückt.	Drücken Sie die Taste „Dampf“ 14 .
	Es ist kein Wasser im Wassertank 8 .	Füllen Sie Wasser in den Wassertank 8 .
	Der Filter 7 ist verstopft.	Wechseln Sie den Filter 7 .
	Es ist keine Dampfstärke ausgewählt.	Wählen Sie mit der Taste MODE 13 die gewünschte Dampfstärke.
Die Pumpe erzeugt ungewöhnlich laute Geräusche.	Es ist kein Wasser im Wassertank 8 .	Füllen Sie Wasser in den Wassertank 8 .
Es hat sich ein weißlicher Rand auf dem Fußboden gebildet, wo das Gerät während des Betriebes kurz stehen blieb.	Es hat sich etwas Kalk abgelagert.	Wischen Sie die Kalkablagerungen mit einem feuchten Tuch weg. Geben Sie, falls nötig etwas Entkalker auf das Tuch.

Aufbewahren

- Klappen Sie den Griff ein, indem Sie die Entriegelungstaste „Griff“ **1** drücken.
- Ziehen Sie den oberen Kabelhaken **16** ein wenig heraus und drehen Sie diesen wieder nach oben. Wickeln Sie das Netzkabel um die beiden Kabelhaken **16/18**.
- Tragen Sie das Gerät am Tragegriff **2**.
- Bewahren Sie das Gerät an einem trockenen und staubfreien Ort auf.

Entsorgung



Werfen Sie das Gerät keinesfalls in den normalen Hausmüll. Dieses Produkt unterliegt der europäischen Richtlinie 2012/19/EU-WEEE (Waste Electrical and Electronic Equipment).

Entsorgen Sie das Gerät über einen zugelassenen Entsorgungsbetrieb oder über Ihre kommunale Entsorgungseinrichtung. Beachten Sie die aktuell geltenden Vorschriften. Setzen Sie sich im Zweifelsfall mit Ihrer Entsorgungseinrichtung in Verbindung.

Anhang

Technische Daten

Spannungsversorgung	220 - 240 V ~ (Wechselstrom) 50/60 Hz
Leistungsaufnahme	1370 - 1630 W
Schutzart	IPX4 Schutz gegen Spritzwasser aus allen Richtungen

Informationen zu den Pads **6/19**

Materialzusammensetzung	100 % Polyester
	max. bei 60° waschen
	nicht im Trockner trocknen
	nicht bügeln

Garantie der Kompernaß Handels GmbH

Sehr geehrte Kundin, sehr geehrter Kunde,

Sie erhalten auf dieses Gerät 3 Jahre Garantie ab Kaufdatum. Im Falle von Mängeln dieses Produkts stehen Ihnen gegen den Verkäufer des Produkts gesetzliche Rechte zu. Diese gesetzlichen Rechte werden durch unsere im Folgenden dargestellte Garantie nicht eingeschränkt.

Garantiebedingungen

Die Garantiefrist beginnt mit dem Kaufdatum. Bitte bewahren Sie den Original-Kassenbon gut auf. Diese Unterlage wird als Nachweis für den Kauf benötigt.

Tritt innerhalb von drei Jahren ab dem Kaufdatum dieses Produkts ein Material- oder Fabrikationsfehler auf, wird das Produkt von uns – nach unserer Wahl – für Sie kostenlos repariert oder ersetzt. Diese Garantieleistung setzt voraus, dass innerhalb der Drei-Jahres-Frist das defekte Gerät und der Kaufbeleg (Kassenbon) vorgelegt und schriftlich kurz beschrieben wird, worin der Mangel besteht und wann er aufgetreten ist.

Wenn der Defekt von unserer Garantie gedeckt ist, erhalten Sie das reparierte oder ein neues Produkt zurück. Mit Reparatur oder Austausch des Produkts beginnt kein neuer Garantiezeitraum.

Garantiezeit und gesetzliche Mängelansprüche

Die Garantiezeit wird durch die Gewährleistung nicht verlängert. Dies gilt auch für ersetzte und reparierte Teile. Eventuell schon beim Kauf vorhandene Schäden und Mängel müssen sofort nach dem Auspacken gemeldet werden. Nach Ablauf der Garantiezeit anfallende Reparaturen sind kostenpflichtig.

Garantieumfang

Das Gerät wurde nach strengen Qualitätsrichtlinien sorgfältig produziert und vor Auslieferung gewissenhaft geprüft.

Die Garantieleistung gilt für Material- oder Fabrikationsfehler. Diese Garantie erstreckt sich nicht auf Produktteile, die normaler Abnutzung ausgesetzt sind und daher als Verschleißteile angesehen werden können oder für Beschädigungen an zerbrechlichen Teilen, z. B. Schalter, Akkus, Backformen oder Teile die aus Glas gefertigt sind.

Diese Garantie verfällt, wenn das Produkt beschädigt, nicht sachgemäß benutzt oder gewartet wurde. Für eine sachgemäße Benutzung des Produkts sind alle in der Bedienungsanleitung aufgeführten Anweisungen genau einzuhalten. Verwendungszwecke und Handlungen, von denen in der Bedienungsanleitung abgeraten oder vor denen gewarnt wird, sind unbedingt zu vermeiden.

Das Produkt ist nur für den privaten und nicht für den gewerblichen Gebrauch bestimmt. Bei missbräuchlicher und unsachgemäßer Behandlung, Gewaltanwendung und bei Eingriffen, die nicht von unserer autorisierten Service-Niederlassung vorgenommen wurden, erlischt die Garantie.

Abwicklung im Garantiefall

Um eine schnelle Bearbeitung ihres Anliegens zu gewährleisten, folgen Sie bitte den folgenden Hinweisen:

- Bitte halten Sie für alle Anfragen den Kassenbon und die Artikelnummer (z. B. IAN 12345) als Nachweis für den Kauf bereit.
- Die Artikelnummer entnehmen Sie bitte dem Typenschild, einer Gravur, auf dem Titelblatt ihrer Anleitung (unten links) oder als Aufkleber auf der Rück- oder Unterseite.
- Sollten Funktionsfehler oder sonstige Mängel auftreten kontaktieren Sie zunächst die nachfolgend benannte Serviceabteilung **telefonisch** oder per **E-Mail**.
- Ein als defekt erfasstes Produkt können Sie dann unter Beifügung des Kaufbelegs (Kassenbon) und der Angabe, worin der Mangel besteht und wann er aufgetreten ist, für Sie portofrei an die Ihnen mitgeteilte Service-Anschrift übersenden.



Auf www.lidl-service.com können Sie diese und viele weitere Handbücher, Produktvideos und Software herunterladen.

Service

DE Service Deutschland

Tel.: 0800 5435 111 (Kostenfrei aus dem dt. Festnetz/Mobilfunknetz)

E-Mail: kompernass@lidl.de

AT Service Österreich

Tel.: 0820 201 222 (0,15 EUR/Min.)

E-Mail: kompernass@lidl.at

CH Service Schweiz

Tel.: 0842 665566 (0,08 CHF/Min., Mobilfunk max. 0,40 CHF/Min.)

E-Mail: kompernass@lidl.ch

IAN 280641

Importeur

Bitte beachten Sie, dass die folgende Anschrift keine Serviceanschrift ist. Kontaktieren Sie zunächst die benannte Servicestelle.

KOMPERNASS HANDELS GMBH

BURGSTRASSE 21

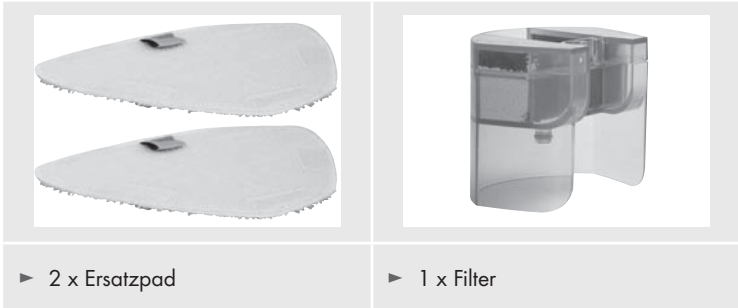
44867 BOCHUM

GERMANY

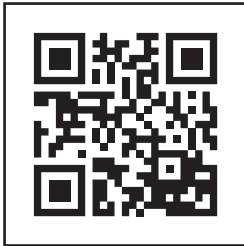
www.kompernass.com

Ersatzteile bestellen

Folgende Ersatzteile können Sie zum Produkt SDM 1500 C2 bestellen:



Bestellen Sie die Ersatzteile über unsere Service-Hotline (siehe Kapitel „Service“) oder bequem auf unserer Webseite unter www.kompernass.com.



HINWEIS

- ▶ Halten Sie die IAN-Nummer, die Sie auf dem Umschlag dieser Bedienungsanleitung finden, für Ihre Bestellung bereit.

KOMPERNASS HANDELS GMBH

BURGSTRASSE 21

44867 BOCHUM

DEUTSCHLAND / GERMANY

www.kompernass.com

Last Information Update · Έκδοση των πληροφοριών

Stand der Informationen:

11 / 2016 · Ident.-No.: SDM1500C2-092016-3

IAN 280641