

SILVER CREST®



www.lidl-service.com



STEAM MOP SDM 1500 C2

GB IE NI

STEAM MOP

Operating instructions

NL BE

STOOMZWABBER

Gebruiksaanwijzing

DK

DAMPMOPPE

Betjeningsvejledning

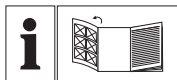
DE AT CH

DAMPMOPP

Bedienungsanleitung

IAN 280641

DK NL



GB IE NI

Before reading, unfold the page containing the illustrations and familiarise yourself with all functions of the device.

DK

Før du læser, vend siden med billeder frem og bliv bekendt med alle apparatets funktioner.

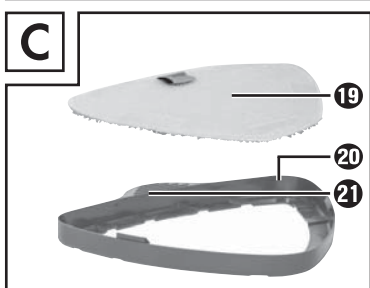
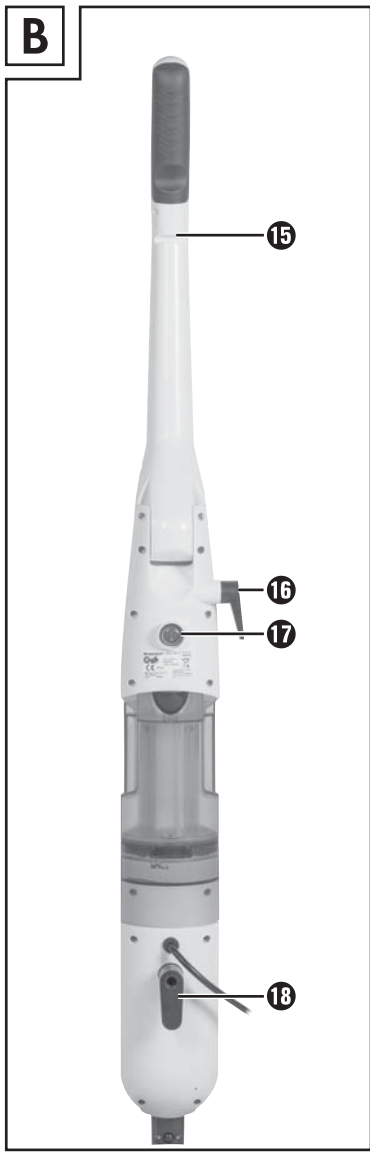
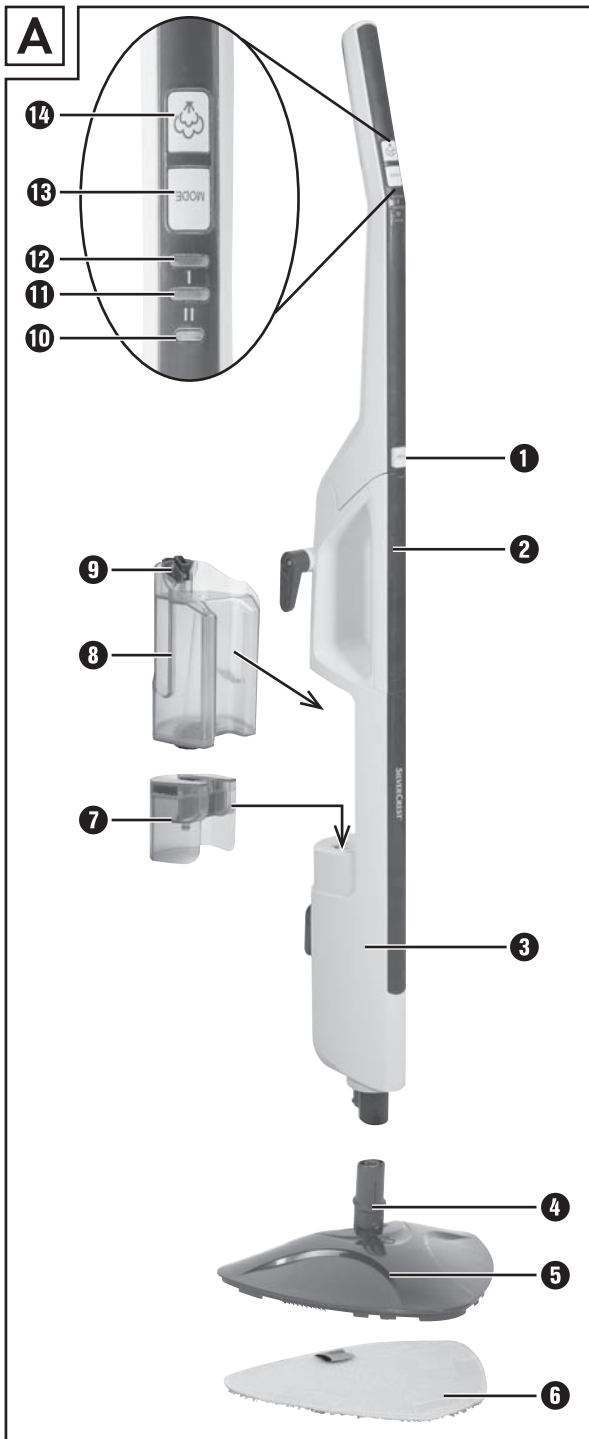
NL BE

Vouw vóór het lezen de pagina met de afbeeldingen open en maak u vertrouwd met alle functies van het apparaat.

DE AT CH

Klappen Sie vor dem Lesen die Seite mit den Abbildungen aus und machen Sie sich anschließend mit allen Funktionen des Gerätes vertraut.

GB/IE/NI	Operating instructions	Page	1
DK	Betjeningsvejledning	Side	19
NL/BE	Gebruiksaanwijzing	Pagina	37
DE/AT/CH	Bedienungsanleitung	Seite	55



Contents

Introduction	2
Information concerning these operating instructions	2
Copyright	2
Intended use	2
Safety instructions	3
Operating components	6
Unpacking and installation	7
Safety instructions	7
Package contents and transport inspection	7
Unpacking	7
Disposal of packaging materials	8
Assembling the appliance	8
Handling and operation	8
Filling with water	8
Operation	9
After use	11
Cleaning and care	11
Maintenance/changing the filter	12
Troubleshooting	13
Storage	14
Disposal	14
Appendix	14
Technical data	14
Kompernass Handels GmbH warranty	15
Service	16
Importer	16
Ordering spare parts	17

Introduction

Information concerning these operating instructions

Congratulations on the purchase of your new appliance.

You have selected a high-quality product. The operating instructions are part of this product. They contain important information on safety, usage and disposal. Before using the product, familiarise yourself with all operating and safety instructions. Use the product only as described and for the specified areas of application. Please also pass on these operating instructions to any future owner.

Copyright

This documentation is protected by copyright.

Any copying or reproduction, including in the form of extracts, or any reproduction of images (even in a modified state), is permitted only with the written authorisation of the manufacturer.

Intended use

This appliance is intended exclusively for cleaning indoor floors. The appliance is not intended for any other purpose, nor for use beyond the scope described. The appliance is not intended for use in commercial or industrial environments.

The manufacturer accepts no responsibility for damage caused by failure to observe these instructions, improper use or repairs, unauthorised modifications or the use of unapproved replacement parts. The operator bears sole liability.

Safety instructions

RISK OF ELECTRIC SHOCK!

- ▶ Connect the appliance only to mains power sockets supplying a mains power voltage of 220 - 240 V ~, 50/60 Hz.
- ▶ In the event of operating malfunctions, and before cleaning the appliance, disconnect the plug from the mains power socket.
- ▶ To disconnect the power cable, always pull the plug from the socket, do not pull the power cable itself.
- ▶ Do not kink or crush the power cable, and route the cable so that it cannot be stepped on or tripped over.
- ▶ To avoid risks, arrange for defective plugs and/or power cables to be replaced at once by qualified technicians or our Customer Service Department.
- ▶ Make sure that the power cable does not become wet or damp during use. Route the cable in such a way that it cannot be crushed or damaged.
- ▶ To prevent risks, stop using the appliance immediately if it is damaged.
- ▶ Disconnect the appliance from the mains power socket before filling it with water, changing accessories or cleaning it.



Use the appliance only in dry indoor areas, not outdoors.

- ▶ Never submerge the appliance in water or other liquids!
- ▶ Never aim the steam jet directly at electrical appliances or equipment which contains electrical components, such as the interior of ovens.

RISK OF ELECTRIC SHOCK!

- ▶ Operate the appliance only with dry hands and never without shoes (i.e. not barefoot). This will help reduce the effect of an electric shock in the event of a malfunction.
- ▶ Never aim the appliance at moisture-sensitive objects.
- ▶ This appliance may be used by persons with limited physical, sensory or mental capabilities or lack of experience and knowledge, provided that they are under supervision or have been told how to use the appliance safely and are aware of the potential risks. Children must not use the appliance as a plaything. Cleaning and user maintenance tasks may not be carried out by children unless they are supervised.

WARNING! RISK OF INJURY!

- ▶ Some parts of the appliance may become hot during use! There is a risk of scalding!
- ▶ Allow the accessories used to cool down before dismantling them.
- ▶ Use only the original accessory parts for this appliance. Other accessories may not meet the safety requirements.
- ▶ The appliance may not be used if it has been dropped, if there are any obvious signs of physical damage or if it is leaking.
- ▶ The appliance must be kept out of the reach of children if it is switched on or is cooling down.
- ▶ Never direct the steam at people or animals. Hot steam can cause serious injuries!
- ▶ Always pull the plug out of the power socket during each break in use, as well as after use and before any cleaning.

⚠ RISK OF BURNS!

Caution! Hot surface!



This symbol warns you about escaping steam.
Please follow the safety instructions!

⚠ CAUTION! MATERIAL DAMAGE!

- ▶ Use the appliance only on floors made of marble, stone, tile, parquet flooring or hardwood that have been treated and are impervious to water.
- ▶ Never use the appliance ...
 - ... on untreated or permeable floors,
 - ... on glass surfaces,
 - ... on soft plastic surfaces,
 - ... on floors that have been treated with wax,
 - ... on carpets with wool content.
- ▶ Always comply with the cleaning instructions of the carpet manufacturer. Before cleaning, check also whether the carpet is suitable for steam cleaning. Use the appliance only on parquet floors if they have been hard-sealed.
- ▶ Do not leave the appliance standing on wooden floors for any length of time while it is switched on. This might cause the wood to swell.
- ▶ Do not operate the appliance with an empty water tank. Otherwise, the pump could run dry and overheat.
- ▶ Do not use an external timer switch or a separate remote control system to operate the appliance.
- ▶ Never leave the appliance unattended during operation.
- ▶ Do not use the appliance outdoors.



CAUTION! MATERIAL DAMAGE!

- ▶ Ensure that the appliance, the power cable and the plug do not come into contact with heat sources such as hotplates or naked flames.

Operating components

Figure A:

- 1 "Handle" release button
- 2 Carrying handle
- 3 Main unit
- 4 Connection nozzle
- 5 Steam foot
- 6 Pad
- 7 Filter
- 8 Water tank
- 9 "Water tank" release button
- 10 POWER control lamp
- 11 Red control lamp "high steam level"
- 12 Green control lamp "low steam level"
- 13 MODE button
- 14 "Steam" button

Figure B:

- 15 Notch
- 16 Upper cable hook
- 17 On/off switch
- 18 Lower cable hook

Figure C:

- 19 Replacement pad
- 20 Carpet ring
- 21 Carpet ring release aid

Unpacking and installation

Safety instructions

WARNING

During the first use of the appliance there is a risk of injury and/or damage to property!

To avoid risks, observe the following safety instructions:

- ▶ Do not allow children to play with packaging materials. There is a risk of suffocation.

Package contents and transport inspection

The appliance is supplied with the following components as standard (see fold-out page):

- Main unit
- Steam foot
- Carpet cleaning ring
- 2 pads
- Operating instructions

NOTE

- ▶ Check the package for completeness and for signs of visible damage.
- ▶ If the delivery is incomplete or damage has occurred as a result of defective packaging or during transport, contact the service hotline (see section Service).

Unpacking

- ◆ Remove all parts of the appliance and the operating instructions from the box.
- ◆ Remove all packaging materials and any films and labels.

Disposal of packaging materials

The packaging protects the appliance from damage during transport. The packaging materials have been selected for their environmental friendliness and ease of disposal, and are therefore recyclable.



Returning the packaging into the material cycle conserves raw materials and reduces the amount of waste generated. Dispose of packaging materials that are no longer needed in accordance with applicable local regulations.

NOTE

- ▶ If possible, keep the appliance's original packaging during the warranty period so that the appliance can be packed properly for return shipment in the event of a warranty claim.

Assembling the appliance

- ◆ Push the main unit **3** onto the connection nozzle **4** on the steam foot **5** and press the main unit **3** down until the round catch clicks into place.
- ◆ Attach a pad **6** from below onto the steam foot **5**.

NOTE

- ▶ If you intend to clean carpeting with the steam mop, fit the steam foot **5** onto the carpet ring **20**. Ensure that the carpet ring unlocking aid **21** is in line with the connection nozzle **4**. Push the steam foot **5** onto the carpet ring **20** so that it clicks audibly into place. This will allow the pad **6** to glide over the carpet.
- ▶ To remove the carpet ring **20**, press your foot onto the carpet ring release aid **21** and pull the steam foot **5** carefully off the carpet ring **20**.

Handling and operation

This section provides you with important information on handling and using the appliance.

Filling with water

CAUTION – PROPERTY DAMAGE!

- ▶ Never operate the appliance without water in the water tank **8**! The pump could overheat and be damaged!
- 1) Push the "Water tank" release button **9** downwards and simultaneously pull the water tank **8** towards the rear and off the appliance with a tilt movement.
 - 2) Turn the water tank **8** and unscrew the cap.
 - 3) Fill the water tank **8** with tap water up to the MAX mark.

NOTE

If the mains water in your location is rated as hard, it is recommended that you mix the mains water with some distilled water. Otherwise, the jets for the steam blast function could calcify (become blocked) prematurely.

To extend the optimal steam blast function, mix mains water with distilled water according to the table:

Water hardness	Ratio of distilled water to tap water
very soft/soft	0
medium	1:1
hard	2:1
very hard	3:1

The water hardness level can be queried at your local water works.

- 4) Attach and hand-tighten the clamp.
- 5) Turn the water tank **6** around again and place it back onto the main unit **3**: First fit the lower part into the main unit **3** and then flip the top part into the device. Push it firmly into place so that the water tank **8** audibly clicks into place and sits firmly on the main unit **3**.

Operation

CAUTION – PROPERTY DAMAGE!

- ▶ If you are not sure whether the floor is suitable for cleaning, please carry out a tolerance test using a concealed part of the floor.
- ▶ Always comply with the cleaning instructions of the carpet manufacturer. Before cleaning, check also whether the carpet is suitable for steam cleaning.
- ▶ Never use the appliance without a pad **6** on the steam foot **5**. Otherwise the floor could get scratched!
- ▶ Never operate the appliance without water in the water tank **8**! The pump could overheat and be damaged!

NOTE

- ▶ Before you clean the floor with the steam mop, we recommend that you vacuum the floor to remove any loose particles of dirt.

Once the appliance is assembled and filled with water:

- 1) Press and hold in the “Handle” release button **1** and flip the handle upwards so that it clicks into place.

- 2) If not already done: Completely unwind the power cable from the cable hooks **16/18**. To facilitate the unwinding of the cable, you can flip down the upper cable hook **16** by pulling it out a little and turning it at the same time.
- 3) Run the cable through the notch **15** on the rear of the handle so that the cable does not hang down into the working area.
- 4) Insert the plug into the mains power socket.
- 5) Set the on/off switch **17** to "I". The on/off switch **17** lights up, the red POWER control lamp **10** flashes.
- 6) Use the MODE button **13** to select the desired level of steam generation:
 - Press 1 x: low steam level, green control lamp **12** lights up.
 - Press 2 x: high steam level, red control lamp **11** lights up.
 - Press 3 x: no steam, standby, POWER control lamp **10** lights up.

NOTE

- ▶ We recommend the high steam level especially for moisture- and heat-resistant floor coverings, such as tiles.
- ▶ We recommend the low steam level especially for moisture- and heat-sensitive floor coverings, such as parquet flooring.

- 7) Wait around 30 seconds while the appliance heats up.
- 8) Press the "Steam" button **14**. The appliance starts generating steam and, after a short time, steam is emitted through the pad **6**.
- 9) Wipe over the desired area.
If the water tank **8** becomes empty during use:

NOTE

- ▶ Once the water tank **8** has been pumped empty, the pump will continue running a little while until the empty water tank **8** is indicated by the simultaneous flashing of the red control lamp "high steam level" **11**, the green control lamp "low steam level" **12** and POWER control lamp **10**.
 - Press the "Steam" button **14** again to stop steam production.
 - Set the on/off switch **17** to "O".
 - Remove the water tank **8**, fill it and replace the water tank **8** as described in the section "Filling with water".
 - Set the on/off switch **17** to "I".
 - Select the desired steam level as described above and press the "Steam" button **14**.

- 10) When you are finished treating all of the surfaces, press the "Steam" button **14** to stop steam production.
- 11) Set the on/off switch **17** to "O". The POWER control lamp **10** goes out.
- 12) Remove the power plug from the mains power socket.

NOTE

- ▶ If you see streaks on the floor after cleaning with the appliance, this may be due to the previously used cleaning fluids. Simply clean the floor again using the steam mop. The smears should now be gone.

After use

- 1) Allow the appliance to cool down.
- 2) Remove the pad **6**.
- 3) Remove the water tank **8** from the appliance and empty it.
- 4) Pull the upper cable hook **16** out a little and turn it back upwards. Wind the cable back around the two cable hooks **16/18**. Fix the end of the power cable using the cable clip located on the cable.

Cleaning and care

RISK OF ELECTRIC SHOCK!

- ▶ Always remove the mains power plug before cleaning the appliance!




WARNING – RISK OF INJURY!

- ▶ Allow the appliance to cool down before cleaning it. Risk of burns!

CAUTION – PROPERTY DAMAGE

- ▶ When cleaning the surfaces use neither abrasive or chemical cleaners, nor sharp or scratchy objects.
- Empty the water tank **8** after every use.
- After each use, remove the pad **6** from the steam foot **5** and wash it out.

- Note the following washing instructions when you wash the pad **6** in the washing machine:

	Wash at max. 60°C
	Do not tumble dry
	Do not iron

- If necessary, wipe the appliance with a damp cloth. For stubborn soiling use a mild detergent on the cloth.

Maintenance/changing the filter

After 4–6 months or approximately 100 cleaning cycles (one cycle corresponds to one water tank filling), you will need to change the filter **7**. Please contact our Service Department for replacement filters.

RISK OF ELECTRIC SHOCK!

► Before changing the filter **7**, always pull out the mains plug!

- 1) To remove the filter **7**, first remove the water tank **8** from the appliance.
- 2) Pull the filter **7** upwards out of the appliance.
- 3) Insert the new filter **7**.
- 4) Replace the water tank **8**.

Troubleshooting

Programme	Possible causes	Possible solutions
The appliance is not working.	The plug is not connected.	Connect the appliance to a mains power socket.
The appliance produces no steam.	The "Steam" button 14 has not been pressed.	Press the "Steam" button 14 .
	There is no water in the water tank 8 .	Fill the water tank 8 with tap water.
	The filter 7 is blocked.	Change the filter 7 .
	No steam setting has been selected.	Use the MODE button 13 to select the desired level of steam.
The pump makes unusually loud noises.	There is no water in the water tank 8 .	Fill the water tank 8 with tap water.
A whitish edge forms on the floor when the appliance stops briefly during operation.	Lime has collected.	Wipe the limescale away with a damp cloth. If necessary, add a little descaler onto the cloth.

Storage

- Fold the handle by pressing the "Handle" release button ①.
- Pull the upper cable hook 16 out a little and turn it back upwards. Wind the cable back around the two cable hooks 16/18.
- Carry the appliance using the carrying handle ②.
- Store the appliance in a dry and dust-free location.

Disposal



Do not dispose of the appliance in your normal domestic waste. This product is subject to the provisions of European Directive 2012/19/EU-WEEE (Waste Electrical and Electronic Equipment).

Dispose of the appliance via an approved waste disposal company or your municipal waste disposal facility. Please comply with all applicable regulations. Please contact your waste disposal facility if you are in any doubt.

Appendix

Technical data

Voltage supply	220 - 240 V ~ (AC) 50 / 60 Hz
Power consumption	1370 - 1630 W
Protection rating	IPX4 Protected against water splashes from any direction.

Information on the pads ⑥/19

Material composition	100% polyester
	Wash at max. 60°C
	Do not tumble dry
	Do not iron

Kompernass Handels GmbH warranty

Dear Customer,

This appliance has a 3-year warranty valid from the date of purchase. If this product has any faults, you, the buyer, have certain statutory rights. Your statutory rights are not restricted in any way by the warranty described below.

Warranty conditions

The validity period of the warranty starts from the date of purchase. Please keep your original receipt in a safe place. This document will be required as proof of purchase.

If any material or production fault occurs within three years of the date of purchase of the product, we will either repair or replace the product for you at our discretion. This warranty service is dependent on you presenting the defective appliance and the proof of purchase (receipt) and a short written description of the fault and its time of occurrence.

If the defect is covered by the warranty, your product will either be repaired or replaced by us. The repair or replacement of a product does not signify the beginning of a new warranty period.

Warranty period and statutory claims for defects

The warranty period is not prolonged by repairs effected under the warranty. This also applies to replaced and repaired components. Any damage and defects present at the time of purchase must be reported immediately after unpacking. Repairs carried out after expiry of the warranty period shall be subject to a fee.

Scope of the warranty

This appliance has been manufactured in accordance with strict quality guidelines and inspected meticulously prior to delivery.

The warranty covers material faults or production faults. The warranty does not extend to product parts subject to normal wear and tear or fragile parts such as switches, batteries, baking moulds or parts made of glass.

The warranty does not apply if the product has been damaged, improperly used or improperly maintained. The directions in the operating instructions for the product regarding proper use of the product are to be strictly followed. Uses and actions that are discouraged in the operating instructions or which are warned against must be avoided.

This product is intended solely for private use and not for commercial purposes. The warranty shall be deemed void in cases of misuse or improper handling, use of force and modifications / repairs which have not been carried out by one of our authorised Service centres.

Warranty claim procedure

To ensure quick processing of your case, please observe the following instructions:

- Please have the till receipt and the item number (e.g. IAN 12345) available as proof of purchase.
- You will find the item number on the type plate, an engraving on the front page of the instructions (bottom left), or as a sticker on the rear or bottom of the appliance.
- If functional or other defects occur, please contact the service department listed either by **telephone** or by **e-mail**.
- You can return a defective product to us free of charge to the service address that will be provided to you. Ensure that you enclose the proof of purchase (till receipt) and information about what the defect is and when it occurred.



You can download these instructions along with many other manuals, product videos and software on www.lidl-service.com.

Service

GB Service Great Britain

Tel.: 0871 5000 720 (£ 0.10/Min.)

E-Mail: kompernass@lidl.co.uk

IE Service Ireland

Tel.: 1890 930 034

(0,08 EUR/Min., (peak))

(0,06 EUR/Min., (off peak))

E-Mail: kompernass@lidl.ie

IAN 280641

Importer

Please note that the following address is not the service address. Please use the service address provided in the operating instructions.

KOMPERNASS HANDELS GMBH

BURGSTRASSE 21

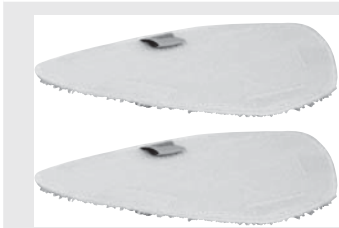
44867 BOCHUM

GERMANY

www.kompernass.com

Ordering spare parts

You can order the following replacement parts for product SDM 1500 C2:



► 2 x Replacement pad



► 1 x Filter

Order the replacement parts via the Service Hotline (see section „Service“) or simply visit our website at www.kompernass.com.



NOTE

- Have the IAN number of the appliance ready (can be found on the cover of these operating instructions) when you place your order.

Indholdsfortegnelse

Introduktion	20
Om denne betjeningsvejledning	20
Ophavsret	20
Anvendelsesområde	20
Sikkerhedsanvisninger	21
Betjeningselementer	24
Udpakning og tilslutning	25
Sikkerhedsanvisninger	25
Pakkens indhold og transporteftersyn	25
Udpakning	25
Bortskaffelse af emballagen	26
Montering af produktet	26
Betjening og funktion	26
Påfyldning af vand	26
Betjening	27
Efter brug	29
Rengøring og vedligeholdelse	29
Vedligeholdelse/skift af filter	30
Afhjælpning af fejl	31
Opbevaring	32
Bortskaffelse	32
Tillæg	32
Tekniske data	32
Garanti for Kompernass Handels GmbH	33
Service	34
Importør	34
Bestilling af reservedele	35

Introduktion

Om denne betjeningsvejledning

Tillykke med købet af dit nye produkt.

Du har valgt et produkt af høj kvalitet. Betjeningsvejledningen er en del af dette produkt. Den indeholder vigtige informationer om sikkerhed, anvendelse og bortskaffelse. Du bør sætte dig ind i alle produktets betjenings- og sikkerhedsanvisninger før brug. Brug kun produktet som beskrevet og kun til de angivne anvendelsesområder. Lad vejledningen følge med produktet, hvis du giver det videre til andre.

Ophavsret

Denne dokumentation er ophavsretligt beskyttet.

Kopiering eller eftertryk – også i uddrag – samt gengivelse af billederne – også i ændret tilstand – er kun tilladt med producentens skriftlige samtykke.

Anvendelsesområde

Dette produkt er udelukkende beregnet til rengøring af gulve indendørs. Al anden anvendelse betragtes som værende uden for anvendelsesområdet. Produktet er ikke beregnet til erhvervsmæssige eller industrielle områder.

Krav af enhver art på grund af skader ved anvendelse uden for anvendelsesområdet, forkert udførte reparationer, ændringer, der er foretaget uden tilladelse, eller anvendelse af ikke-tilladte reservedele er udelukket. Ejeren bærer selv risikoen.

Sikkerhedsanvisninger



FARE PÅ GRUND AF ELEKTRISK STØD!

- ▶ Slut kun produktet til en forskriftsmæssigt installeret stikkontakt med en netspænding på 220 - 240 V ~ / 50/60 Hz.
- ▶ Træk stikket ud af stikkontakten ved driftsfejl, og før du rengør produktet.
- ▶ Træk altid ledningen ud af stikkontakten ved at holde på stikket og ikke ved at trække i selve ledningen.
- ▶ Ledningen må aldrig knækkes eller mases og heller ikke lægges, så man kan træde på den eller snuble over den.
- ▶ Få beskadigede stik eller ledninger udskiftet omgående af en autoriseret reparatør eller kundeservice, så farlige situationer undgås.
- ▶ Sørg for, at strømledningen ikke bliver våd eller fugtig under driften. Læg ledningen, så den ikke kan klemmes fast eller beskadiges.
- ▶ Hvis produktet er beskadiget, må du ikke fortsætte med at bruge det, da det kan medføre farlige situationer.
- ▶ Tag stikket ud af stikkontakten, før du fylder produktet med vand, skifter tilbehør eller rengør produktet.



Brug kun produktet i tørre rum – ikke udendørs.

- ▶ Læg aldrig produktet ned i vand eller andre væsker!
- ▶ Ret aldrig dampen mod elapparater eller installationer, som indeholder elektriske komponenter som f.eks. ind i ovne.

FARE PÅ GRUND AF ELEKTRISK STØD!

- ▶ Brug kun produktet med tørre hænder, og hav altid sko på (gå ikke med bare fødder). Derved reduceres risikoen for farlig strøm gennem kroppen i tilfælde af fejl.
- ▶ Ret aldrig produktet mod genstande, som ikke kan tåle fugt.
- ▶ Dette produkt kan bruges af personer med reducerede fysiske, sensoriske eller mentale evner eller manglende erfaring og/eller viden, hvis de er under opsyn eller er blevet oplært i brugen af produktet og de farer, som kan være forbundet med det. Børn må ikke lege med produktet. Rengøring og brugervedligeholdelse må ikke udføres af børn uden opsyn.

ADVARSEL! FARE FOR PERSONSKADER!

- ▶ Nogle af produktets dele bliver varme under brug!
Der er fare for skoldning!
- ▶ Lad først de anvendte tilbehørsdele køle af, før du tager dem af.
- ▶ Brug kun originalt tilbehør til dette produkt. Andre dele er muligvis ikke sikre nok.
- ▶ Produktet må ikke anvendes, hvis det har været tabt på gulvet, hvis der er tydelige tegn på skader, eller hvis det er utæt.
- ▶ Hold produktet på afstand af børn, når det er tændt eller køles af.
- ▶ Ret aldrig dampstrålen mod mennesker eller dyr. Varm damp kan forårsage alvorlige skader!
- ▶ Træk stikket ud af stikkontakten, når du holder pause, før rengøring, og når du er færdig med at bruge produktet.

⚠ FORBRÆNDINGSFARE!

Forsigtig! Varm overflade!



Dette symbol advarer mod udslippende damp.
Overhold sikkerhedsanvisningerne:

⚠ OBS! MATERIELLE SKADER!

- ▶ Brug udelukkende produktet på gulve af marmor, sten, fliser, parket eller hårdt træ, som er behandlede og vandtætte.
- ▶ Brug aldrig produktet:
 - ... på ubehandlede gulve eller gulve, som ikke er vandtætte
 - ... på glasoverflader
 - ... på bløde plastoverflader
 - ... på gulve, som er behandlet med voks,
 - ... på tæpper med indhold af uld.
- ▶ Følg altid rensningsanvisningerne fra tæppeproducenten. Undersøg, om tæppet er egnet til damprensning, før du begynder rensningen.
- ▶ Brug kun produktet på parketgulve, hvis de er hårdt forseglede.
- ▶ Lad ikke produktet stå tændt i længere tid på trægulve. Træet kan svulme op.
- ▶ Brug ikke produktet med tom vandbeholder. Der er risiko for, at pumpen kan køre tom og blive overophedet.
- ▶ Brug aldrig et eksternt timerur eller et separat fjernbetjenings-system til betjening af produktet.
- ▶ Lad aldrig produktet være i funktion uden opsyn.
- ▶ Brug ikke produktet udendørs.

OBS! MATERIELLE SKADER!

- ▶ Sørg for, at produktet, strømledningen og strømstikket ikke kommer i kontakt med varmekilder eller åben ild.

Betjeningslementer

Figur A:

- 1 Aktiveringsknap "greb"
- 2 Bæregreb
- 3 Hoveddel
- 4 Samlemuffe
- 5 Dampfod
- 6 Pad
- 7 Filter
- 8 Vandbeholder
- 9 Aktiveringsknap "vandbeholder"
- 10 Kontrollampe POWER
- 11 Rød kontrollampe "høj dampstyrke"
- 12 Grøn kontrollampe "lav dampstyrke"
- 13 Knap MODE
- 14 Knap "damp"

Figur B:

- 15 Rille
- 16 Øverste ledningskrog
- 17 Tænd-/sluk-knap
- 18 Nederste kabelkrog

Figur C:

- 19 Reserverpad
- 20 Tæppering
- 21 Aktiveringshjælp til tæppering

Udpakning og tilslutning

Sikkerhedsanvisninger

ADVARSEL

Ved opstart af produktet er der fare for personskader og materielle skader!

Overhold følgende sikkerhedsanvisninger for at undgå farerne:

- ▶ Emballagematerialer må ikke bruges til leg. Der er fare for kvælning.

Pakkens indhold og transporteftersyn

Produktet leveres som standard med følgende dele (se klap-ud-siden):

- Hoveddel
- Dampfod
- Tæpperengøringsring
- 2 pads
- Betjeningsvejledning

BEMÆRK

- ▶ Kontrollér, at alle dele er leveret med, og at de ikke har synlige skader.
- ▶ Hvis der mangler dele, eller hvis nogle af delene er defekte på grund af mangelfuld emballage eller på grund af transporten, bedes du henvende dig til service-hotline (se kapitlet Service).

Udpakning

- ◆ Tag alle delene samt betjeningsvejledningen ud af kassen.
- ◆ Fjern alle emballeringsmaterialer samt eventuelle folier og mærkater.

Bortskaffelse af emballagen

Emballagen beskytter produktet mod transportskader. Emballagematerialerne er valgt ud fra kriterier som miljøforlidelighed og bortskaffelsesteknik og kan derfor genbruges.



Aflevering af emballagen til genbrug sparer råstoffer og reducerer affaldsmængden. Bortskaf emballagematerialer, du ikke skal bruge mere, efter de lokalt gældende forskrifter.

BEMÆRK

- ▶ Opbevar den originale emballage i løbet af produktets garantiperiode, hvis det er muligt, så du kan pakke det ordentligt ind, hvis du skal gøre brug af garantien.

Montering af produktet

- ◆ Sæt hoveddelen **3** ind i samlemuffen **4** på dampfoden **5** og pres hoveddelen **3** ned, indtil den runde lås går i hak.
- ◆ Sæt en pad **6** på dampfoden **5** nedefra.

BEMÆRK

- ▶ Hvis du vil rense tæppegulve med dampmobben, skal du sætte dampfoden **5** på tæpperingen **20**. Sørg for, at aktiveringshjælpen til tæpperingen **21** er på linje med samlemuffen **4**. Sæt dampfoden **5** på tæpperingen **20**, så den går i indgreb, så det mærkes. Dermed kan paden **6** glide hen over tæppet.
- ▶ For at fjerne tæpperingen **20** skal du sætte foden på aktiveringshjælpen til tæpperingen **21** og forsigtigt tage dampfoden **5** af tæpperingen **20**.

Betjening og funktion

Dette kapitel indeholder vigtige oplysninger om betjening og brug af produktet.

Påfyldning af vand

OBS – MATERIELLE SKADER!

- ▶ Brug aldrig produktet uden vand i vandbeholderen **8**! Der er risiko for, at pumpen kan blive varm og derved blive beskadiget.
- 1) Stil aktiveringsknappen "vandbeholder" **9** ned, og tag samtidig vandbeholderen **8** ud af produktet bagfra med en vippebevægelse.
 - 2) Drej vandbeholderen **8**, og skru lukningen af.
 - 3) Fyld ledningsvand i indtil markeringen MAX på vandbeholderen **8**.

BEMÆRK

Hvis ledningsvandet, hvor du bor, er for hårdt, anbefales det at blande vandet med destilleret vand. Ellers kan dyserne til dampskuds-funktionen kalke for tidligt til.

For at forlænge den optimale dampskuds-funktion blandes ledningsvandet med destilleret vand som angivet i tabellen.

Vandets hårdhed	Andel destilleret vand i forhold til ledningsvand
meget blødt / blødt	0
middel	1:1
hårdt	2:1
meget hårdt	3:1

Spørg det lokale vandværk, hvilken hårdhed vandet har.

- 4) Skru lukningen på, så den sidder fast.
- 5) Drej vandbeholderen ❹ igen, og sæt den ind i hoveddelen ❸: Sæt først den nederste del ind i hoveddelen ❸, og vip så den øverste del ind i produktet. Tryk den godt ind, så vandbeholderen ❹ går i indgreb, så det kan mærkes, og sidder fast i hoveddelen ❸.

Betjening

OBS – MATERIELLE SKADER!

- ▶ Hvis du ikke er sikker på, om gulvet er egnet til rengøringen, skal du først prøve et skjult sted, om gulvet kan tåle det.
- ▶ Følg altid rensningsanvisningerne fra tæppeproducenten. Undersøg, om tæppet er egnet til damprensning, før du begynder rensningen.
- ▶ Brug aldrig produktet uden pad ❺ på dampfoden ❹. Ellers bliver gulvene ridsede!
- ▶ Brug aldrig produktet uden vand i vandbeholderen ❸! Der er risiko for, at pumpen kan blive varm og derved blive beskadiget.

BEMÆRK

- ▶ Før gulvet rengøres med dampmoppen, anbefaler vi først at støvsuge gulvet, så løse partikler af snavs fjernes.

Når produktet er monteret og fyldt med vand:

- 1) Hold aktiveringsknappen "greb" ❶ nede, og klap grebet op, så det går i indgreb.

- 2) Hvis det ikke allerede er gjort: Vikl ledningen helt af ledningskroge **16** / **19**. For lettere at kunne vikle ledningen af kan du klappe den øverste kabelkrog **16** ned ved at trække den lidt ud og dreje samtidig.
- 3) Træk ledningen gennem rillen **15** på bagsiden af grebet, så ledningen ikke hænger i vejen, når du arbejder.
- 4) Sæt stikket i stikkontakten.
- 5) Stil tænd-/sluk-knappen **17** på "I". Tænd-/sluk-knappen **17** lyser, den røde kontrollampe POWER **10** blinker.
- 6) Vælg den ønskede dampstyrke med knappen MODE **15**.
 - Tryk 1 gang: mindre dampproduktion, den grønne kontrollampe **12** lyser.
 - Tryk 2 gange: høj dampproduktion, den røde kontrollampe **11** lyser.
 - Tryk 3 gange: Ingen dampproduktion, klar til drift, kontrollampen POWER **10** lyser.

BEMÆRK

- ▶ Damptrinet med den høje dampproduktion anbefales især til gulvbelægninger, som kan tåle fugt og varme som f.eks. fliser.
- ▶ Damptrinet med den lave dampproduktion anbefales til gulvbelægninger, som ikke kan tåle fugt og varme som f.eks. parket.

- 7) Vent ca. 30 sekunder, til produktet er varmet op.
- 8) Tryk på knappen "damp" **14**. Produktet begynder at producere damp, og efter kort tid kommer dampen gennem paden **6**.
- 9) Rengør de ønskede gulve.
Hvis vandbeholderen **8** tømmes under brug:

BEMÆRK

- ▶ Hvis vandbeholderen **8** er pumpet tom, bliver pumpen ved med at køre et stykke tid, indtil den tomme vandbeholder **8** vises, ved at den røde kontrollampe "høj dampstyrke" **11**, den grønne kontrollampe "lav dampstyrke" **12** og kontrollampen POWER **10** blinker samtidig.
 - Tryk på knappen "damp" **14** igen for at stoppe dampproduktionen.
 - Stil tænd-/sluk-knappen **17** på "O".
 - Tag vandbeholderen **8** ud, fyld den, og sæt vandbeholderen **8** ind igen som beskrevet i kapitlet "Påfyldning af vand".
 - Stil tænd-/sluk-knappen **17** på "I".
 - Vælg den ønskede dampstyrke som beskrevet ovenfor, og tryk på knappen "damp" **14**.

- 10) Når du er færdig med alle gulvene, skal du trykke på knappen "damp" **14** for at stoppe dampproduktionen.
- 11) Stil tænd-/sluk-knappen **17** på "O". Kontrollampen POWER **10** slukkes.
- 12) Tag stikket ud af stikkontakten.

BEMÆRK

- ▶ Hvis der er striber på gulvet efter rengøring med produktet, kan det anvendte rengøringsmiddel være årsagen. Rengør gulvet igen med dampmoppen. Nu skulle striberne være forsvundet.

Efter brug

- 1) Lad produktet køle af.
- 2) Fjern paden **6**.
- 3) Tag vandbeholderen **8** ud af produktet, og tøm den.
- 4) Træk den øverste ledningskrog **16** lidt ud, og drej den op igen. Vikl ledningen om ledningskrogen **16/18**.
- 5) Fastgør ledningens ende ved hjælp af kabelclipsen, som sidder på ledningen.

Rengøring og vedligeholdelse

FARE PÅ GRUND AF ELEKTRISK STØD!

- ▶ Træk altid stikket ud før rengøring!

ADVARSEL – FARE FOR PERSONSKADER!

- ▶ Lad produktet køle af, før det rengøres. Fare for at brænde sig!

OBS – MATERIELLE SKADER!

- ▶ Brug ikke stærke, skurende eller kemiske rengøringsmidler, spidse eller ridsende genstande til rengøringen.

- Tøm vandbeholderen **8** efter hver brug.
- Tag paden **6** af dampfoden **5**, og vask den.

- Overhold de følgende vaskeanvisninger, hvis du vasker paden **6** i vaskemaskinen.

	må vaskes ved maks. 60°
	må ikke tørres i tørretumbler
	må ikke stryges

- Tør produktet af med en fugtig klud ved behov. Hvis snavset sidder godt fast, kan du komme lidt mildt opvaskemiddel på kluden.

Vedligeholdelse/skift af filter

Efter 4 – 6 måneder eller ca. 100 rengøringscyklusser (en cyklus svarer til en påfyldning af vandbeholderen) skal filteret **7** skiftes. Henvend dig til vores service vedrørende reservefiltre.

FARE PÅ GRUND AF ELEKTRISK STØD!

- ▶ Træk stikket ud, før filteret **7** skiftes!

- 1) For at fjerne filteret **7** skal du først tage vandbeholderen **8** ud af produktet.
- 2) Tag filteret **7** ud af produktet oppefra.
- 3) Sæt det nye filter **7** i.
- 4) Sæt vandbeholderen **8** ind.

Afhjælpning af fejl

Program	Mulige årsager	Mulige løsninger
Produktet fungerer ikke.	Strømskiftet er ikke sluttet til.	Slut produktet til en stikkontakt
Produktet producerer ikke damp.	Der er ikke trykket på knappen "damp" 14 .	Tryk på knappen "damp" 14 .
	Ingen vand i vandbeholderen 8 .	Fyld vand i vandbeholderen 8 .
	Filteret 7 er tilstoppet.	Skift filteret 7 .
	Der er ikke valgt dampstyrke.	Vælg den ønskede dampstyrke med knappen MODE 13 .
Pumpen laver meget høje lyde.	Ingen vand i vandbeholderen 8 .	Fyld vand i vandbeholderen 8 .
Der har dannet sig en hvidlig kant på gulvet, hvor produktet har stået kortvarigt under brug.	Der er aflejret kalk.	Tør kalkaflejringerne af med en fugtig klud. Hæld eventuelt lidt afkalkningsmiddel på kluden.

Opbevaring

- Klap grebet ind ved at trykke på aktiveringsknappen "greb" ①.
- Træk den øverste ledningskrog ⑫ lidt ud, og drej den op igen. Vikl ledningen om ledningskrogen ⑫/⑬.
- Bær produktet ved at holde i bæregrebet ②.
- Opbevar produktet på et tørt og støvfrit sted.

Bortskaffelse



Bortskaf ikke produktet sammen med det almindelige husholdningsaffald. Dette produkt er underlagt det europæiske direktiv 2012/19/EU-WEEE (Waste Electrical and Electronic Equipment).

Bortskaf produktet via en godkendt bortskaffelsesvirksomhed eller den kommunale genbrugsplads. Følg de aktuelt gældende regler. Henvend dig i tvivlstilfælde til den lokale genbrugsplads.

Tillæg

Tekniske data

Spændingsforsyning	220 - 240 V ~ (vekselstrøm) 50/60 Hz
Effektforbrug	1370 - 1630 W
Beskyttelsesart	IPX4 Beskyttelse mod sprøjtevand fra alle retninger

Informationer til pads ⑥/⑱

Materialesammensætning	100 % polyester
	må vaskes ved maks. 60°
	må ikke tørres i tørretumbler
	må ikke stryges

Garanti for Kompernass Handels GmbH

Kære kunde

På dette produkt får du 3 års garanti fra købsdatoen. I tilfælde af mangler ved produktet har du en række juridiske rettigheder i forhold til sælgeren af produktet. Dine juridiske rettigheder forringes ikke af den nedenfor anførte garanti.

Garantibetingelser

Garantiperioden begynder på købsdatoen. Opbevar venligst din originale kvittering et sikkert sted. Dette dokument er nødvendigt for at kunne dokumentere købet.

Hvis der inden for tre år fra købsdatoen for dette produkt opstår en materiale- eller fabrikationsfejl, vil produktet – efter vores valg – blive repareret eller ombyttet gratis for dig. Denne garantiydelse forudsætter, at det defekte produkt og købsbeviset (kvittering) afleveres inden for tre-års-fristen, og der gives en kort skriftlig beskrivelse af, hvori manglen består, og hvornår den er opstået.

Hvis defekten er dækket af vores garanti, får du et repareret eller et nyt produkt retur. Reparation eller ombytning af produktet udløser ikke en ny garantiperiode.

Garantiperiode og juridiske mangelkrav

Garantiperioden forlænges ikke, hvis der gøres brug af garantien. Det gælder også for udskiftede og reparerede dele. Skader og mangler, som eventuelt allerede fandtes ved køb, samt manglende dele, skal anmeldes straks efter udpakningen. Når garantiperioden er udløbet, er reparation af skader betalingspligtig.

Garantiens omfang

Produktet er produceret omhyggeligt efter strenge kvalitetsretningslinjer og testet grundigt inden leveringen.

Garantien dækker materiale- og fabrikationsfejl. Denne garanti omfatter ikke produktdele, der er udsat for normal slitage, og derfor kan betragtes som sliddele, eller for skader på skrøbelige dele, som f.eks. kontakter, batterier, bageforme eller dele som er lavet af glas.

Denne garanti bortfalder, hvis produktet er blevet beskadiget, ikke er forskriftsmæssigt anvendt eller vedligeholdt. For at sikre forskriftsmæssig anvendelse af produktet skal alle anvisninger nævnt i betjeningsvejledningen nøje overholdes. Anvendelsesformål og handlinger, som frarådes eller der advares imod i betjeningsvejledningen, skal ubetinget undgås.

Produktet er kun beregnet til privat og ikke til kommercielt brug. Ved misbrug og uhensigtsmæssig brug, anvendelse af vold og ved indgreb, som ikke er foretaget af vores autoriserede serviceafdeling, bortfalder garantien.

Afvikling af garantisager

For at sikre en hurtig behandling af din anmeldelse bør du følge nedenstående anvisninger:

- Ved alle forespørgsler bedes du have kvitteringen og artikelnummeret (f.eks. IAN 12345) klar som dokumentation for købet.
- Artikelnummeret kan du finde på typeskiltet, som indgravering, på vejledningens forside (nederst til venstre) eller som et klæbemærke på bag- eller undersiden.
- Hvis der opstår funktionsfejl eller øvrige mangler, bedes du først kontakte nedennævnte serviceafdeling **telefonisk** eller **via e-mail**.
- Et produkt, der er registreret som defekt, kan du derefter indsende portofrit til den oplyste serviceadresse med vedlæggelse af købsbevis (kvittering) og en beskrivelse af, hvori manglen består, og hvornår den er opstået.



På www.lidl-service.com kan du downloade denne og mange andre håndbøger, produktvideoer og software.

Service



Service Danmark

Tel.: 32 710005

E-Mail: kompennass@lidl.dk

IAN 280641

Importør

Bemærk at den efterfølgende adresse ikke er en serviceadresse. Kontakt først det nævnte servicested.

KOMPERNASS HANDELS GMBH

BURGSTRASSE 21

44867 BOCHUM

GERMANY

www.kompennass.com

Bestilling af reservedele

Følgende reservedele kan bestilles til produktet SDM 1500 C2:



Reservedelene kan bestilles via vores service-hotline (se kapitlet „Service“) eller på vores hjemmeside under www.kompernass.com.



BEMÆRK

- ▶ Hav IAN-nummeret klar ved bestilling - du kan finde det på omslaget af denne betjeningsvejledning.

Inhoud

Inleiding	38
Informatie bij deze gebruiksaanwijzing	38
Auteursrecht	38
Gebruik in overeenstemming met bestemming	38
Veiligheidsvoorschriften	39
Bedieningselementen	42
Uitpakken en aansluiten	43
Veiligheidsvoorschriften	43
Inhoud van het pakket en inspectie na transport	43
Uitpakken	43
De verpakking afvoeren	44
Apparaat in elkaar zetten	44
Bediening en gebruik	44
Water bijvullen	44
Bedienen	45
Na gebruik	47
Reiniging en onderhoud	47
Onderhoud/filter vervangen	48
Problemen oplossen	49
Opbergen	50
Afvoeren	50
Appendix	50
Technische gegevens	50
Garantie van Kompernaß Handels GmbH	51
Service	52
Importeur	52
Vervangingsonderdelen bestellen	53

Inleiding

Informatie bij deze gebruiksaanwijzing

Hartelijk gefeliciteerd met de aankoop van uw nieuwe apparaat.

U hebt hiermee gekozen voor een hoogwaardig product. De gebruiksaanwijzing maakt deel uit van dit product. Deze bevat belangrijke aanwijzingen voor veiligheid, gebruik en afvoer. Lees alle bedienings- en veiligheidsaanwijzingen voordat u het product in gebruik neemt. Gebruik het product uitsluitend op de voorgescreven wijze en voor de aangegeven doeleinden. Geef alle documenten mee als u het product doorgeeft aan een derde.

Auteursrecht

Deze documentatie is auteursrechtelijk beschermd.

Elke vermenigvuldiging resp. elke reproductie, ook die van delen van het document, alsmede de weergave van de afbeeldingen, ook in gewijzigde toestand, is uitsluitend toegestaan met schriftelijke toestemming van de fabrikant.

Gebruik in overeenstemming met bestemming

Dit apparaat dient uitsluitend voor het binnenshuis reinigen van vloeren. Een ander of verdergaand gebruik geldt als niet in overeenstemming met de bestemming. Het apparaat is niet bedoeld voor gebruik in bedrijfsmatige of industriële omgevingen.

De fabrikant aanvaardt geen aansprakelijkheid voor schade als gevolg van het niet in acht nemen van de gebruiksaanwijzing, gebruik dat niet in overeenstemming met de bestemming is, onvakkundige reparaties, veranderingen die ongeoorloofd zijn uitgevoerd of gebruik van reserveonderdelen die niet zijn toegestaan. Het risico draagt alleen de gebruiker.

Veiligheidsvoorschriften



GEVAAR VOOR EEN ELEKTRISCHE SCHOK!

- ▶ Sluit het apparaat uitsluitend aan op een volgens de voorschriften geïnstalleerd stopcontact met een netspanning van 220 - 240 V ~, 50/60 Hz.
- ▶ Haal bij storing van het apparaat en voordat u het apparaat schoonmaakt de stekker uit het stopcontact.
- ▶ Trek het snoer altijd aan de stekker uit het stopcontact, trek niet aan het snoer zelf.
- ▶ Knik of plet het snoer niet en leid het snoer zodanig dat niemand erop kan gaan staan of erover kan struikelen.
- ▶ Laat beschadigde stekkers en snoeren onmiddellijk door geautoriseerd en vakkundig personeel of door de klantenservice vervangen, om risico's te vermijden.
- ▶ Let erop dat het snoer niet nat of vochtig wordt tijdens het gebruik van het apparaat. Leid het snoer zodanig dat het niet bekneld of beschadigd kan raken.
- ▶ Mocht het apparaat zijn beschadigd, gebruik het dan niet verder, om risico's te vermijden.
- ▶ Haal eerst de stekker uit het stopcontact, voordat u het apparaat met water vult, accessoires verwisselt of het apparaat schoonmaakt.



Gebruik het apparaat alleen in droge ruimtes, niet in de openlucht.

- ▶ Dompel het apparaat nooit onder in water of andere vloeistoffen!
- ▶ Richt de stoom nooit direct op elektrische apparaten of op installaties met elektrische componenten, zoals bijvoorbeeld de binnenkant van ovens.

GEVAAR VOOR EEN ELEKTRISCHE SCHOK!

- ▶ Gebruik het apparaat uitsluitend met droge handen en niet zonder schoenen (niet met blote voeten). Op die manier vermindert u bij storingen het gevaar voor elektrische schokken.
- ▶ Richt het apparaat nooit op vochtgevoelige voorwerpen.
- ▶ Dit apparaat mag worden gebruikt door personen met verminderde fysieke, zintuiglijke of geestelijke vermogens of gebrek aan ervaring en kennis, mits ze onder toezicht staan of over het veilige gebruik van het apparaat zijn geïnstrueerd en de daaruit resulterende gevaren begrijpen. Kinderen mogen niet met het apparaat spelen. Kinderen mogen zonder toezicht geen reiniging en gebruikersonderhoud uitvoeren.

WAARSCHUWING! LETSELGEVAAR!

- ▶ Enkele delen van het apparaat worden bij gebruik heet! Er bestaat gevaar voor brandwonden!
- ▶ Laat de gebruikte accessoires eerst afkoelen, voordat u deze verwijdt.
- ▶ Gebruik uitsluitend de originele accessoires voor dit apparaat. Andere accessoires zijn daarvoor mogelijk niet veilig genoeg.
- ▶ Het apparaat mag niet worden gebruikt wanneer het is gevallen, wanneer er duidelijk zichtbare beschadigingen zijn en wanneer het lekt.
- ▶ Het apparaat moet uit de buurt van kinderen worden gehouden wanneer het ingeschakeld is of afkoelt.
- ▶ Richt de stoom nooit op mensen of dieren. Hete stoom kan aanzienlijke verwondingen veroorzaken!
- ▶ Haal bij elke onderbreking van het gebruik, na gebruik en bij reiniging altijd de stekker uit het stopcontact.

⚠ VERBRANDINGSGEVAAR!

Voorzichtig! Heet oppervlak!



Dit symbool waarschuwt u voor ontsnappende stoom. Neem de veiligheidsvoorschriften in acht!

⚠ LET OP! MATERIËLE SCHADE!

- ▶ Gebruik het apparaat uitsluitend op vloeren van marmer, steen, tegels, parket of hardhout, die behandeld zijn en geen water doorlaten.
- ▶ Gebruik het apparaat nooit...
 - ... op onbehandelde of waterdoorlatende vloeren,
 - ... op glasoppervlakken,
 - ... op zachte kunststofoppervlakken,
 - ... op vloeren die met was zijn behandeld,
 - ... op tapijten die wol bevatten.
- ▶ Neem altijd de reinigingsvoorschriften van de tapijtfabrikant in acht. Controleer voorafgaand aan de reiniging ook of het tapijt geschikt is voor stoomreiniging.
- ▶ Gebruik het apparaat alleen op parketvloeren wanneer die een harde toplaag hebben.
- ▶ Laat het apparaat niet langere tijd ingeschakeld op houten vloeren staan. Het hout kan uitzetten.
- ▶ Gebruik het apparaat niet als het waterreservoir leeg is. Anders kan de pomp drooglopen en oververhit raken.
- ▶ Gebruik geen externe timer of een aparte afstandsbediening om het apparaat te bedienen.
- ▶ Laat het apparaat nooit onbeheerd als het is ingeschakeld.
- ▶ Gebruik het apparaat niet in de openlucht.



LET OP! MATERIËLE SCHADE!

- ▶ Let erop dat het apparaat, het snoer en de stekker nooit in aanraking komen met warmtebronnen zoals kookplaten of open vuur.

Bedieningselementen

Afbeelding A:

- 1 Ontgrendelingsknop "handgreep"
- 2 Draagbeugel
- 3 Hoofdunit
- 4 Verbindingsluit
- 5 Stoomvoet
- 6 Pad
- 7 Filter
- 8 Waterreservoir
- 9 Ontgrendelingsknop "waterreservoir"
- 10 Indicatielampje POWER
- 11 Rood indicatielampje "hoge stoomkracht"
- 12 Groen indicatielampje "geringe stoomkracht"
- 13 Toets MODE
- 14 Toets "Stoom"

Afbeelding B:

- 15 Inkeping
- 16 Bovenste snoerhaak
- 17 Aan-/uitknop
- 18 Onderste snoerhaak

Afbeelding C:

- 19 Reservepad
- 20 Tapijtring
- 21 Tapijtring-ontgrendelingshulp

Uitpakken en aansluiten

Veiligheidsvoorschriften

WAARSCHUWING

Bij de ingebruikname van het apparaat kan persoonlijk letsel en materiële schade optreden!

Neem de volgende veiligheidsvoorschriften in acht om de gevaren te vermijden:

- ▶ Verpakkingsmateriaal mag niet als speelgoed worden gebruikt. Er bestaat verstikkingsgevaar.

Inhoud van het pakket en inspectie na transport

Het apparaat wordt standaard met de volgende componenten geleverd (zie uitvouwpagina):

- Hoofdunit
- Stoomvoet
- Tapijtreinigingsring
- 2 pads
- Gebruiksaanwijzing

OPMERKING

- ▶ Controleer of het pakket compleet is en of er sprake is van zichtbare schade.
- ▶ Neem contact op met de Service-Hotline (zie hoofdstuk Service) als het pakket niet compleet is, of indien er sprake is van schade door gebrekkige verpakking of transport.

Uitpakken

- ◆ Haal alle onderdelen van het apparaat en de gebruiksaanwijzing uit de doos.
- ◆ Verwijder alle verpakkingsmaterialen en eventuele folie en stickers van het apparaat.

De verpakking afvoeren

De verpakking beschermt het apparaat tegen transportschade. De verpakkingsmaterialen zijn niet schadelijk voor het milieu. Ze zijn gekozen op grond van milieuvriendelijkheid en daarom recyclebaar.



Het terugvoeren van de verpakking in de materiaalkringloop betekent een besparing op grondstoffen en zorgt voor minder afval. Voer niet meer benodigde verpakkingsmaterialen af conform de plaatselijk geldende voorschriften.

OPMERKING

- Bewaar, indien mogelijk, de originele verpakking gedurende de garantieperiode van het apparaat, om het apparaat bij een garantiekwestie volgens de voorschriften te kunnen verpakken.

Apparaat in elkaar zetten

- ◆ Schuif de hoofddunit **3** in de verbindingstuit **4** op de stoomvoet **5** en druk de hoofddunit **3** zo ver omlaag, dat de ronde vergrendeling vastklikt.
- ◆ Bevestig een pad **6** van onder af op de stoomvoet **5**.

OPMERKING

- Wanneer u een tapijt wilt reinigen met de stoommop, plaatst u de stoomvoet **5** op de tapijtring **20**. Let er daarbij op dat de tapijtring-ontgrendelingshulp **21** zich op één lijn met de verbindingstuit **4** bevindt. Druk de stoomvoet **5** zodanig op de tapijtring **20**, dat hij merkbaar vastklikt. Zo kan de pad **6** over het tapijt glijden.
- Om de tapijtring **20** te verwijderen, drukt u met uw voet op de tapijtring-ontgrendelingshulp **21** en trekt u de stoomvoet **5** voorzichtig van de tapijtring **20** af.

Bediening en gebruik

In dit hoofdstuk krijgt u belangrijke aanwijzingen voor de bediening en het gebruik van het apparaat.

Water bijvullen

LET OP - MATERIËLE SCHADE!

- Gebruik het apparaat nooit zonder water in het waterreservoir **8**! De pomp kan anders heet worden en beschadigd raken!
- 1) Schuif de ontgrendelingsknop "waterreservoir" **9** omlaag en trek tegelijkertijd het waterreservoir **8** met een kantelbeweging achterwaarts uit het apparaat.
 - 2) Draai het waterreservoir **8** om en schroef de sluiting eraf.
 - 3) Vul het waterreservoir **8** met leidingwater tot aan de markering MAX.

OPMERKING

Als het leidingwater in uw omgeving te hard is, kunt u het leidingwater het beste mengen met gedestilleerd water. Anders kunnen de sproei-koppen voor de stoomstootfunctie voortijdig verkalkt raken.

Voor verlenging van de optimale stoomstootfunctie mengt u het leidingwater met gedestilleerd water volgens de tabel:

Waterhardheid	Aandeel gedestilleerd water bij leidingwater
zeer zacht/zacht	0
gemiddeld	1:1
hard	2:1
zeer hard	3:1

De waterhardheid kunt u bij uw plaatselijke waterbedrijf opvragen.

- 4) Schroef de sluiting handvast op het waterreservoir.
- 5) Draai het waterreservoir **8** weer om en plaats het in de hoofdunit **3**: plaats eerst het onderste deel in de hoofdunit **3** en kantel dan het bovenste deel in het apparaat. Druk het waterreservoir stevig aan, zodat het waterreservoir **8** voelbaar vastklikt in de hoofdunit **3**.

Bedienen

LET OP - MATERIËLE SCHADE!

- ▶ Wanneer u niet zeker weet of de vloer geschikt is voor reiniging, test u dit eerst op een niet-zichtbare plek.
- ▶ Neem altijd de reinigingsvoorschriften van de tapijtfabrikant in acht. Controleer voorafgaand aan de reiniging ook of het tapijt geschikt is voor stoomreiniging.
- ▶ Gebruik het apparaat nooit zonder pad **6** op de stoomvoet **5**. Anders komen er krassen op de vloer!
- ▶ Gebruik het apparaat nooit zonder water in het waterreservoir **8**! De pomp kan anders heet worden en beschadigd raken!

OPMERKING

- ▶ Voordat u de vloer met de stoommop reinigt, verdient het aanbeveling de vloer eerst te zuigen om losse vuildeeltjes te verwijderen.

Wanneer het apparaat in elkaar gezet en met water gevuld is:

- 1) Houd de ontgrendelingsknop "handgreep" **1** ingedrukt en klap de handgreep omhoog, zodat die vastklikt.

- 2) Mocht dit nog niet gebeurd zijn: Wikkel het snoer volledig van de snoerhaak **16**/**18** af. Om het snoer makkelijker af te wikkelen, kunt u de bovenste snoerhaak **16** omlaagklappen, door deze iets uit te trekken en tegelijkertijd te draaien.
- 3) Leid het snoer door de inkeping **15** aan de achterkant van de handgreep, zodat het snoer niet in het werkgebied hangt.
- 4) Steek de stekker in het stopcontact.
- 5) Zet de aan-/uitknop **17** op "I". De aan-/uitknop **17** licht op, het rode indicatielampje POWER **10** knippert.
- 6) Kies met de toets MODE **13** de gewenste intensiteit van de stoomproductie.
 - 1 x drukken: geringe stoomproductie, het groene indicatielampje **12** brandt.
 - 2 x drukken: hoge stoomproductie, het rode indicatielampje **11** brandt.
 - 3 x drukken: geen stoomproductie, gebruiksklaar, indicatielampje POWER **10** brandt.

OPMERKING

- ▶ De stoomstand met de hoge stoomproductie is vooral geschikt voor vloeren die bestand zijn tegen vocht en hitte, zoals tegelvloeren.
- ▶ De stoomstand met de lage stoomproductie is vooral geschikt voor vloeren die minder goed bestand zijn tegen vocht en hitte, zoals parketvloeren.

- 7) Wacht ca. 30 seconden om het apparaat te laten opwarmen.
- 8) Druk op de toets "Stoom" **14**. Het apparaat begint met de stoomproductie en even later komt er stoom uit de pad **6**.
- 9) Veeg over de gewenste oppervlakken.
Wanneer tijdens het gebruik het waterreservoir **8** leegraakt:

OPMERKING

- ▶ Wanneer het waterreservoir **8** is leeggepompt, loopt de pomp nog enige tijd door, tot wordt aangegeven dat het waterreservoir **8** leeg is door het gelijktijdig knipperen van het rode indicatielampje "hoge stoomkracht" **11**, het groene indicatielampje "geringe stoomkracht" **12** en het indicatielampje POWER **10**.
 - Druk nogmaals op de toets "Stoom" **14** om de stoomproductie te stoppen.
 - Zet de aan-/uitknop **17** op "O".
 - Verwijder het waterreservoir **8**, vul het en plaats het waterreservoir **8** terug, zoals beschreven in het hoofdstuk "Water bijvullen".
 - Zet de aan-/uitknop **17** op "I".
 - Kies de gewenste stoomkracht, zoals hiervoor beschreven, en druk op de toets "Stoom" **14**.

- 10) Wanneer u alle oppervlakken hebt gereinigd, drukt u op de toets "Stoom" **14** om de stoomproductie te stoppen.
- 11) Zet de aan-/uitknop **17** op "O". Het rode indicatielampje POWER **10** dooft.
- 12) Trek de stekker uit het stopcontact.

OPMERKING

- ▶ Wanneer na de reiniging met het apparaat op de vloer strepen zichtbaar zijn, kan dat aan de eerder gebruikte schoonmaakmiddelen liggen. Reinig de vloer gewoon opnieuw met de stoommop. Als het goed is, zijn de strepen dan verdwenen.

Na gebruik

- 1) Laat het apparaat afkoelen.
- 2) Verwijder de pad **6**.
- 3) Haal het waterreservoir **8** uit het apparaat en leeg het.
- 4) Trek de bovenste snoerhaak **16** een beetje uit en draai deze weer omhoog. Rol het snoer om de beide snoerhaken **16/18**.
Maak het uiteinde van het snoer vast met behulp van de snoerclip die zich op het snoer bevindt.

Reiniging en onderhoud

GEVAAR VOOR EEN ELEKTRISCHE SCHOK!

- ▶ Haal vóór iedere reiniging de stekker uit het stopcontact!

WAARSCHUWING - LETSELGEVAAR!

- ▶ Laat het apparaat eerst afkoelen voordat u het schoonmaakt.
Verbrandingsgevaar!

LET OP - MATERIËLE SCHADE

- ▶ Gebruik voor de reiniging van de oppervlakken geen scherpe schuurmiddelen of chemische reinigingsmiddelen, en ook geen puntige of krassende voorwerpen.
- Leeg na elk gebruik het waterreservoir **8**.
- Haal na elk gebruik de pad **6** van de stoomvoet **5** af en was hem.

- Neem de volgende wasvoorschriften in acht wanneer u de pad ⑥ in de wasmachine reinigt:

	max. op 60° wassen
	niet in een wasdroger drogen
	niet strijken

- Veeg het apparaat zo nodig af met een vochtige doek. Doe bij hardnekkig vuil wat mild afwasmiddel op de doek.

Onderhoud/filter vervangen

Na 4 - 6 maanden of ca. 100 reinigingscycli (een cyclus komt overeen met een waterreservoirvulling), moet het filter ⑦ worden vervangen. Neem voor vervangingsfilters contact op met onze service.

GEVAAR VOOR EEN ELEKTRISCHE SCHOK!

- ▶ Haal voordat u het filter ⑦ vervangt de stekker uit het stopcontact!
- 1) Om het filter ⑦ te verwijderen, haalt u eerst het waterreservoir ⑧ uit het apparaat.
 - 2) Trek het filter ⑦ naar boven toe uit het apparaat.
 - 3) Plaats het nieuwe filter ⑦.
 - 4) Plaats het waterreservoir ⑧ terug.

Problemen oplossen

Programma	Mogelijke oorzaken	Mogelijke oplossingen
Het apparaat werkt niet.	De stekker zit niet in het stopcontact.	Sluit het apparaat aan op een stopcontact.
Het apparaat produceert geen stoom.	De toets "Stoom" 14 is niet ingedrukt.	Druk op de toets "Stoom" 14 .
	Er is geen water in het waterreservoir 8 .	Doe water in het waterreservoir 8 .
	Het filter 7 is verstopt.	Vervang het filter 7 .
	Er is geen stoomkracht gekozen.	Kies met de toets MODE 13 de gewenste stoomkracht.
De pomp maakt ongewoon harde geluiden.	Er is geen water in het waterreservoir 8 .	Doe water in het waterreservoir 8 .
Er is een witachtige rand op de vloer ontstaan waar het apparaat tijdens het gebruik kort heeft gestaan.	Er heeft zich een beetje kalk afgezet.	Veeg de kalkafzettingen weg met een vochtige doek. Doe zo nodig een beetje ontkalkingsmiddel op de doek.

Opbergen

- Klap de handgreep in door op de ontgrendelingsknop "handgreep" ❶ te drukken.
- Trek de bovenste snoerhaak ❷ een beetje uit en draai deze weer omhoog. Rol het snoer om de beide snoerhaken ❷/❸.
- Draag het apparaat aan de draaggreep ❹.
- Berg het apparaat op een droge en stofvrije plaats op.

Afvoeren



Gooi het apparaat in geen geval weg bij het gewone huisvuil. Dit product is onderworpen aan de Europese richtlijn 2012/19/EU AEEA (afgedankte elektrische en elektronische apparatuur).

Voer het apparaat af via een erkend afvalverwerkingsbedrijf of via uw gemeentereiniging. Neem de momenteel geldende voorschriften in acht. Neem bij twijfel contact op met de verantwoordelijke instantie.

Appendix

Technische gegevens

Voeding	220 - 240 V ~ (wisselstroom) 50/60 Hz
Vermogen	1370 - 1630 W
Beschermingsklasse	IPX4 Bescherming tegen spatwater uit alle richtingen

Informatie over de pads ❷/❸

Samenstelling materiaal	100% polyester
	max. op 60° wassen
	niet in een wasdroger drogen
	niet strijken

Garantie van Kompernaß Handels GmbH

Geachte klant,

U hebt op dit apparaat 3 jaar garantie vanaf de aankoopdatum. In geval van gebreken in dit product hebt u wettelijke rechten tegenover de verkoper van het product. Deze wettelijke rechten worden door onze hierna beschreven garantie niet beperkt.

Garantievoorwaarden

De garantieperiode geldt vanaf de datum van aankoop. Bewaar de originele kassabon. U hebt de bon nodig als bewijs van aankoop.

Als er binnen drie jaar vanaf de aankoopdatum van dit product een materiaal- of fabricagefout optreedt, wordt het product door ons – naar onze keuze – voor u kosteloos gerepareerd of vervangen. Voorwaarde voor deze garantie is dat binnen de termijn van drie jaar het defecte apparaat en het aankoopbewijs (kassabon) worden overlegd en dat kort wordt omschreven waaruit het gebrek bestaat en wanneer het is opgetreden.

Wanneer het defect door onze garantie wordt gedekt, krijgt u het gerepareerde product of een nieuw product retour. Met de reparatie of vervanging van het product begint er geen nieuwe garantieperiode.

Garantieperiode en wettelijke aanspraken bij gebreken

De garantieperiode wordt door deze waarborg niet verlengd. Dat geldt ook voor vervangen en gerepareerde onderdelen. Eventueel al bij aankoop aanwezige schade en gebreken moeten meteen na het uitpakken worden gemeld. Voor reparaties na afloop van de garantieperiode worden kosten in rekening gebracht.

Garantieomvang

Het apparaat is op basis van strenge kwaliteitsnormen met de grootst mogelijke zorg vervaardigd en voorafgaand aan de levering nauwkeurig gecontroleerd.

De garantie geldt voor materiaal- of fabricagefouten. Deze garantie geldt niet voor productonderdelen die blootstaan aan normale slijtage en derhalve als aan slijtage onderhevige onderdelen kunnen worden aangemerkt, of voor beschadigingen aan breekbare onderdelen, bijv. schakelaars, accu's, bakvormen of onderdelen die van glas zijn gemaakt.

Deze garantie vervalt wanneer het product is beschadigd, ondeskundig is gebruikt of is gerepareerd. Voor deskundig gebruik van het product moeten alle in de gebruiksaanwijzing beschreven aanwijzingen precies worden opgevolgd. Gebruiksdoeleinden en handelingen die in de gebruiksaanwijzing worden afgeraden of waarvoor wordt gewaarschuwd, moeten beslist worden vermeden.

Het product is uitsluitend bestemd voor privégebruik en niet voor bedrijfsmatige doeleinden. Bij verkeerd gebruik en ondeskundige behandeling, bij gebruik van geweld en bij reparaties die niet door ons erkend servicefiliaal zijn uitgevoerd, vervalt de garantie.

Afhandeling bij een garantiekwestie

Voor een snelle afhandeling van uw aanvraag neemt u de volgende aanwijzingen in acht:

- Houd voor alle aanvragen de kassabon en het artikelnummer (bijv. IAN 12345) als aankoopbewijs bij de hand.
- Het artikelnummer vindt u op het typeplaatje, in het product gegraveerd, op de titelpagina van de gebruiksaanwijzing (linksonder) of als sticker op de achter- of onderkant van het product.
- Als er fouten in de werking of andere gebreken optreden, neemt u eerst contact op met de hierna genoemde serviceafdeling, **telefonisch** of **via e-mail**.
- Een als defect geregistreerd product kunt u dan zonder portokosten naar het aan u doorgegeven serviceadres sturen. Voeg het aankoopbewijs (kassabon) bij en vermeld waaruit het gebrek bestaat en wanneer het is opgetreden.



Op www.lidl-service.com kunt u deze en vele andere handboeken, productvideo's en software downloaden.

Service

NL Service Nederland

Tel.: 0900 0400223 (0,10 EUR/Min.)

E-Mail: kompernass@lidl.nl

BE Service België

Tel.: 070 270 171 (0,15 EUR/Min.)

E-Mail: kompernass@lidl.be

IAN 280641

Importeur

Let op: het volgende adres is geen serviceadres. Neem eerst contact op met het opgegeven serviceadres.

KOMPERNASS HANDELS GMBH

BURGSTRASSE 21

44867 BOCHUM

GERMANY

www.kompernass.com

Vervangingsonderdelen bestellen

Voor het product SDM 1500 C2 kunt u de volgende vervangingsonderdelen bestellen:

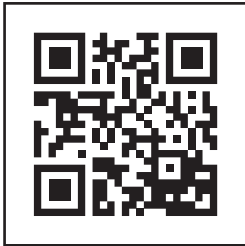


► 2 x Reservepad



► 1 x Filter

Bestel de vervangingsonderdelen via onze service-hotline (zie het hoofdstuk "Service") of op onze website: www.kompernass.com.



OPMERKING

- Houd het IAN-nummer dat op het omslag van deze gebruiksaanwijzing staat, bij de hand bij het bestellen.

Inhaltsverzeichnis

Einführung	56
Informationen zu dieser Bedienungsanleitung	56
Urheberrecht	56
Bestimmungsgemäße Verwendung	56
Sicherheitshinweise	57
Bedienelemente	60
Auspacken und Anschließen	61
Sicherheitshinweise	61
Lieferumfang und Transportinspektion	61
Auspacken	61
Entsorgung der Verpackung	62
Gerät montieren	62
Bedienung und Betrieb	62
Wasser auffüllen	62
Bedienen	63
Nach dem Gebrauch	65
Reinigung und Pflege	65
Wartung/Filter wechseln	66
Fehlerbehebung	67
Aufbewahren	67
Entsorgung	68
Anhang	68
Technische Daten	68
Garantie der Kompernaß Handels GmbH	69
Service	70
Importeur	70
Ersatzteile bestellen	71

Einführung

Informationen zu dieser Bedienungsanleitung

Herzlichen Glückwunsch zum Kauf Ihres neuen Gerätes.

Sie haben sich damit für ein hochwertiges Produkt entschieden. Die Bedienungsanleitung ist Bestandteil dieses Produkts. Sie enthält wichtige Hinweise für Sicherheit, Gebrauch und Entsorgung. Machen Sie sich vor der Benutzung des Produkts mit allen Bedien- und Sicherheitshinweisen vertraut. Benutzen Sie das Produkt nur wie beschrieben und für die angegebenen Einsatzbereiche. Händigen Sie alle Unterlagen bei Weitergabe des Produkts an Dritte mit aus.

Urheberrecht

Diese Dokumentation ist urheberrechtlich geschützt.

Jede Vervielfältigung, bzw. jeder Nachdruck, auch auszugsweise sowie die Wiedergabe der Abbildungen, auch im veränderten Zustand ist nur mit schriftlicher Zustimmung des Herstellers gestattet.

Bestimmungsgemäße Verwendung

Dieses Gerät dient ausschließlich dem Reinigen von Fußböden im Innenbereich. Eine andere oder darüber hinausgehende Benutzung gilt als nicht bestimmungsgemäß. Das Gerät ist nicht zur Verwendung in gewerblichen oder industriellen Bereichen vorgesehen.

Ansprüche jeglicher Art wegen Schäden aus nicht bestimmungsgemäßer Verwendung, unsachgemäßen Reparaturen, unerlaubt vorgenommener Veränderungen oder Verwendung nicht zugelassener Ersatzteile sind ausgeschlossen. Das Risiko trägt allein der Betreiber.

Sicherheitshinweise



GEFAHR DURCH ELEKTRISCHEN SCHLAG!

- ▶ Schließen Sie das Gerät nur an eine vorschriftsmäßig installierte Netzsteckdose mit einer Netzspannung von 220 - 240 V ~, 50/60 Hz an.
- ▶ Ziehen Sie bei Betriebsstörungen, und bevor Sie das Gerät reinigen, den Netzstecker aus der Netzsteckdose.
- ▶ Ziehen Sie das Netzkabel stets am Netzstecker aus der Netzsteckdose, ziehen Sie nicht am Kabel selbst.
- ▶ Knicken oder quetschen Sie das Netzkabel nicht und verlegen Sie das Netzkabel so, dass niemand darauf treten oder darüber stolpern kann.
- ▶ Lassen Sie beschädigte Netzstecker oder Netzkabel sofort von autorisiertem Fachpersonal oder dem Kundenservice austauschen, um Gefährdungen zu vermeiden.
- ▶ Achten Sie darauf, dass im Betrieb das Netzkabel nicht nass oder feucht wird. Führen Sie es so, dass es nicht eingeklemmt oder beschädigt werden kann.
- ▶ Sollte das Gerät beschädigt sein, benutzen Sie dieses nicht weiter, um Gefährdungen zu vermeiden.
- ▶ Ziehen Sie erst den Stecker aus der Steckdose, bevor Sie das Gerät mit Wasser befüllen, reinigen oder Zubehörteile wechseln.



Verwenden Sie das Gerät nur in trockenen Räumen, nicht im Freien.

- ▶ Tauchen Sie das Gerät niemals in Wasser oder andere Flüssigkeiten ein!
- ▶ Richten Sie den Dampf niemals direkt auf elektrische Geräte oder Einrichtungen, die elektrische Bauteile enthalten, wie zum Beispiel den Innenraum von Öfen.

GEFAHR DURCH ELEKTRISCHEN SCHLAG!

- ▶ Verwenden Sie das Gerät nur mit trockenen Händen und nicht ohne Schuhe (nicht barfuß). Damit verringern Sie im Fehlerfall gefährliche Körperströme.
- ▶ Richten Sie das Gerät nie auf feuchteempfindliche Gegenstände.
- ▶ Dieses Gerät kann von Personen mit verringerten physischen, sensorischen oder mentalen Fähigkeiten oder Mangel an Erfahrung und Wissen benutzt werden, wenn sie beaufsichtigt oder bezüglich des sicheren Gebrauchs des Gerätes unterwiesen wurden und die daraus resultierenden Gefahren verstehen. Kinder dürfen nicht mit dem Gerät spielen. Reinigung und Benutzer-Wartung dürfen nicht von Kindern ohne Beaufsichtigung durchgeführt werden.

WARNUNG! VERLETZUNGSGEFAHR!

- ▶ Einige Teile des Gerätes werden bei Verwendung heiß!
Es besteht Verbrühungsgefahr!
- ▶ Lassen Sie die verwendeten Zubehörteile erst abkühlen, bevor Sie diese abnehmen.
- ▶ Verwenden Sie nur die Original-Zubehörteile zu diesem Gerät. Andere Teile sind dafür möglicherweise nicht ausreichend sicher.
- ▶ Das Gerät darf nicht verwendet werden, wenn es heruntergefallen ist, wenn offensichtliche Beschädigungen sichtbar sind oder wenn es undicht ist.
- ▶ Das Gerät ist von Kindern fernzuhalten wenn es eingeschaltet ist oder sich abkühlt.
- ▶ Richten Sie niemals den Dampf auf Menschen oder Tiere. Heißer Dampf kann erhebliche Verletzungen bewirken!
- ▶ Ziehen Sie bei jeder Unterbrechung sowie nach Beenden des Gebrauchs und vor jeder Reinigung den Netzstecker aus der Steckdose.

! VERBRENNUNGSGEFAHR!

Vorsicht! Heiße Oberfläche!



Dieses Symbol warnt Sie vor austretendem Dampf. Beachten Sie die Sicherheitshinweise!

! ACHTUNG! SACHSCHADEN!

- ▶ Benutzen Sie das Gerät ausschließlich auf Fußböden aus Marmor, Stein, Fliesen, Parkett oder Hartholz, welche behandelt und wasserundurchlässig sind.
- ▶ Benutzen Sie das Gerät niemals...
 - ... auf unbehandelten oder wasserdurchlässigen Fußböden,
 - ... auf Glasoberflächen,
 - ... auf weichen Kunststoffoberflächen,
 - ... auf Böden, die mit Wachs behandelt sind,
 - ... auf Teppichen mit Wollanteil.
- ▶ Beachten Sie stets die Reinigungshinweise des Teppichherstellers. Prüfen Sie vor Beginn der Reinigung zusätzlich, ob der Teppich für die Dampfreinigung geeignet ist.
- ▶ Benutzen Sie das Gerät nur auf Parkettböden, wenn dieser hartversiegelt ist.
- ▶ Lassen Sie das Gerät nicht längere Zeit eingeschaltet auf Holzfußböden stehen. Das Holz könnte quellen.
- ▶ Betreiben Sie das Gerät nicht mit leerem Wassertank. Ansonsten kann die Pumpe leerlaufen und überhitzen.
- ▶ Benutzen Sie keine externe Zeitschaltuhr oder ein separates Fernwirkssystem, um das Gerät zu betreiben.

ACHTUNG! SACHSCHADEN!

- ▶ Lassen Sie das Gerät während des Betriebes niemals unbeaufsichtigt.
- ▶ Benutzen Sie das Gerät nicht im Freien.
- ▶ Stellen Sie sicher, dass das Gerät, das Netzkabel oder der Netzstecker nicht mit heißen Quellen, wie Kochplatten oder offenen Flammen, in Berührung kommen.

Bedienelemente

Abbildung A:

- ❶ Entriegelungstaste „Griff“
- ❷ Tragegriff
- ❸ Haupteinheit
- ❹ Verbindungstülle
- ❺ Dampffuß
- ❻ Pad
- ❼ Filter
- ❽ Wassertank
- ❾ Entriegelungstaste „Wassertank“
- ❿ Kontrollleuchte POWER
- ⓫ rote Kontrollleuchte „hohe Dampfstärke“
- ⓬ grüne Kontrollleuchte „geringe Dampfstärke“
- ⓭ Taste MODE
- ⓮ Taste „Dampf“

Abbildung B:

- ❶⓫ Einkerbung
- ❶⓬ oberer Kabelhaken
- ❶⓭ Ein-/Aus-Schalter
- ❶⓮ unterer Kabelhaken

Abbildung C:

- ❶⓫ Ersatzpad
- ❶⓬ Teppichring
- ❶⓭ Teppichring-Entriegelungshilfe

Auspacken und Anschließen

Sicherheitshinweise

WARNUNG

Bei der Inbetriebnahme des Gerätes können Personen- und Sachschäden auftreten!

Beachten Sie die folgenden Sicherheitshinweise, um die Gefahren zu vermeiden:

- ▶ Verpackungsmaterialien dürfen nicht zum Spielen verwendet werden. Es besteht Erstickungsgefahr.

Lieferumfang und Transportinspektion

Das Gerät wird standardmäßig mit folgenden Komponenten geliefert (siehe Ausklappseite):

- Haupteinheit
- Dampffuß
- Teppichreinigungsring
- 2 Pads
- Bedienungsanleitung

HINWEIS

- ▶ Prüfen Sie die Lieferung auf Vollständigkeit und auf sichtbare Schäden.
- ▶ Bei einer unvollständigen Lieferung oder Schäden infolge mangelhafter Verpackung oder durch Transport wenden Sie sich an die Service-Hotline (siehe Kapitel Service).

Auspacken

- ◆ Entnehmen Sie alle Teile des Gerätes und die Bedienungsanleitung aus dem Karton.
- ◆ Entfernen Sie sämtliches Verpackungsmaterial und eventuelle Folien und Aufkleber.

Entsorgung der Verpackung

Die Verpackung schützt das Gerät vor Transportschäden. Die Verpackungsmaterialien sind nach umweltverträglichen und entsorgungstechnischen Gesichtspunkten ausgewählt und deshalb recyclebar.



Die Rückführung der Verpackung in den Materialkreislauf spart Rohstoffe und verringert das Abfallaufkommen. Entsorgen Sie nicht mehr benötigte Verpackungsmaterialien gemäß den örtlich geltenden Vorschriften.

HINWEIS

- ▶ Heben Sie wenn möglich die Originalverpackung während der Garantiezeit des Gerätes auf, um das Gerät im Garantiefall ordnungsgemäß verpacken zu können.

Gerät montieren

- ◆ Schieben Sie die Haupteinheit **3** in die Verbindungsstülpe **4** am Dampffuß **5** und drücken Sie die Haupteinheit **3** soweit herunter, dass die runde Arretierung einrastet.
- ◆ Kletten Sie ein Pad **6** von unten auf den Dampffuß **5**.

HINWEIS

- ▶ Wenn Sie Teppichböden mit dem Dampfmopp reinigen wollen, setzen Sie den Dampffuß **5** auf den Teppichring **20**. Achten Sie dabei darauf, dass die Teppichring-Entriegelungshilfe **21** in einer Linie mit der Verbindungsstülpe **4** liegt. Drücken Sie den Dampffuß **5** so auf den Teppichring **20**, sodass dieser spürbar einrastet. So kann das Pad **6** über den Teppich gleiten.
- ▶ Um den Teppichring **20** zu entfernen, drücken Sie Ihren Fuß auf die Teppichring-Entriegelungshilfe **21** und ziehen Sie den Dampffuß **5** vorsichtig vom Teppichring **20** ab.

Bedienung und Betrieb

In diesem Kapitel erhalten Sie wichtige Hinweise zur Bedienung und Betrieb des Gerätes.

Wasser auffüllen

ACHTUNG - SACHSCHADEN!

- ▶ Betreiben Sie das Gerät niemals ohne Wasser im Wassertank **8**! Die Pumpe kann ansonsten heißlaufen und beschädigt werden!

- 1) Schieben Sie die Entriegelungstaste „Wassertank“ **9** nach unten und ziehen Sie gleichzeitig den Wassertank **8** mit einer Kippbewegung nach hinten aus dem Gerät.
- 2) Drehen Sie den Wassertank **8** um und schrauben Sie den Verschluss ab.

- 3) Füllen Sie Leitungswasser bis zur Markierung MAX auf dem Wassertank 8 ein.

HINWEIS

Sollte das Leitungswasser Ihres Wohnortes zu hart sein, empfiehlt es sich, das Leitungswasser mit destilliertem Wasser zu mischen. Ansonsten können die Düsen für die Dampfstoß-Funktion vorzeitig verkalken.

Zur Verlängerung der optimalen Dampfstoß-Funktion mischen Sie das Leitungswasser mit destilliertem Wasser entsprechend der Tabelle:

Wasserhärte	Anteil destilliertes Wasser zu Leitungswasser
sehr weich / weich	0
mittel	1:1
hart	2:1
sehr hart	3:1

Die Wasserhärte können Sie beim örtlichem Wasserwerk erfragen.

- 4) Schrauben Sie den Verschluss handfest auf.
- 5) Drehen Sie den Wassertank 8 wieder um setzen Sie diesen in die Haupteinheit 3 ein: Setzen Sie zuerst den unteren Teil in die Haupteinheit 3 und kippen Sie dann den oberen Teil in das Gerät. Drücken Sie ihn fest an, so dass der Wassertank 8 spürbar einrastet und fest in der Haupteinheit 3 sitzt.

Bedienen

ACHTUNG - SACHSCHADEN!

- ▶ Wenn Sie nicht sicher sind, ob der Fußboden für die Reinigung geeignet ist, testen Sie die Verträglichkeit vorab an einer versteckten Stelle.
- ▶ Beachten Sie stets die Reinigungshinweise des Teppichherstellers. Prüfen Sie vor Beginn der Reinigung zusätzlich, ob der Teppich für die Dampfreinigung geeignet ist.
- ▶ Benutzen Sie das Gerät niemals ohne Pad 6 auf dem Dampffuß 5. Ansonsten werden die Fußböden verkratzt!
- ▶ Betreiben Sie das Gerät niemals ohne Wasser im Wassertank 8! Die Pumpe kann ansonsten heißlaufen und beschädigt werden!

HINWEIS

- ▶ Bevor Sie den Fußboden mit dem Dampfmoop reinigen, empfehlen wir den Fußboden vorher zu saugen, um lose Schmutzpartikel zu beseitigen.

Wenn das Gerät fertig montiert und Wasser eingefüllt ist:

- 1) Halten Sie die Entriegelungstaste „Griff“ **1** gedrückt und klappen Sie den Griff nach oben, so dass dieser einrastet.
- 2) Falls noch nicht geschehen: Wickeln Sie das Netzkabel vollständig von den Kabelhaken **16**/**18**. Zum leichten Abwickeln des Kabels können Sie den oberen Kabelhaken **16** nach unten klappen, indem Sie diesen etwas herausziehen und gleichzeitig drehen.
- 3) Führen Sie das Netzkabel durch die Einkerbung **15** an der Rückseite des Griffs, so dass das Netzkabel nicht im Arbeitsbereich hängt.
- 4) Stecken Sie den Netzstecker in die Netzsteckdose.
- 5) Stellen Sie den Ein-/Aus-Schalter **17** auf „I“. Der Ein-/Aus-Schalter **17** leuchtet, die rote Kontrollleuchte POWER **10** blinkt.
- 6) Wählen Sie mit der Taste MODE **13** die gewünschte Intensität der Dampferzeugung:
 - 1 x drücken: wenig Dampferzeugung, grüne Kontrollleuchte **12** leuchtet.
 - 2 x drücken: hohe Dampferzeugung, rote Kontrollleuchte **11** leuchtet.
 - 3 x drücken: keine Dampferzeugung, Bereitschaftsbetrieb, Kontrollleuchte POWER **10** leuchtet.

HINWEIS

- ▶ Die Dampfstufe mit der hohen Dampferzeugung empfehlen wir vor allem für feuchtigkeits- und hitzeunempfindliche Bodenbeläge wie Fliesen.
- ▶ Die Dampfstufe mit der geringen Dampferzeugung empfehlen wir für feuchtigkeits- und hitzeempfindlichere Bodenbeläge wie z. B. Parkett.

- 7) Warten Sie ca. 30 Sekunden ab, in denen das Gerät aufheizt.
- 8) Drücken Sie die Taste „Dampf“ **14**. Das Gerät beginnt mit der Dampferzeugung und nach kurzer Zeit tritt Dampf durch das Pad **6**.
- 9) Wischen Sie über die gewünschten Flächen.

HINWEIS

- ▶ Wenn der Wassertank **8** leer gepumpt ist, läuft die Pumpe noch einige Zeit nach, bis der leere Wassertank **8** durch gleichzeitiges Blinken der roten Kontrollleuchte „hohe Dampfstärke“ **11**, der grüne Kontrollleuchte „geringe Dampfstärke“ **12** und der Kontrollleuchte POWER **10** angezeigt wird.

Wenn während der Benutzung der Wassertank **8** leer ist:

- Drücken Sie erneut die Taste „Dampf“ **14** um die Dampfproduktion zu stoppen.
- Stellen Sie den Ein-/Aus-Schalter **17** auf „O“.
- Entnehmen Sie den Wassertank **8**, befüllen Sie diesen und setzen Sie den Wassertank **8** wieder ein, wie im Kapitel „Wasser auffüllen“ beschrieben.

- Stellen Sie den Ein-/Aus-Schalter **17** auf „I“.
 - Wählen Sie die gewünschte Dampfstärke wie oben beschrieben und drücken Sie die Taste „Dampf“ **14**.
- 10) Wenn Sie mit der Bearbeitung aller Flächen fertig sind, drücken Sie die Taste „Dampf“ **14** um die Dampferzeugung zu stoppen.
- 11) Stellen Sie den Ein-/Aus-Schalter **17** auf „O“. Die Kontrollleuchte POWER **10** erlischt.
- 12) Ziehen Sie den Netzstecker aus der Netzsteckdose.

HINWEIS

- ▶ Wenn nach der Reinigung mit dem Gerät auf dem Boden Schlieren zu sehen sind, kann das an den zuvor verwendeten Reinigungsmitteln liegen. Reinigen Sie den Boden einfach erneut mit dem Dampfmoop. Die Schlieren sollten dann verschwunden sein.

Nach dem Gebrauch

- 1) Lassen Sie das Gerät abkühlen.
- 2) Entfernen Sie das Pad **6**.
- 3) Nehmen Sie den Wassertank **8** aus dem Gerät und entleeren Sie diesen.
- 4) Ziehen Sie den oberen Kabelhaken **16** ein wenig heraus und drehen Sie diesen wieder nach oben. Wickeln Sie das Netzkabel um die beiden Kabelhaken **16/18**.
Fixieren Sie das Ende des Netzkabels mithilfe des Kabelclips, welcher sich am Kabel befindet.

Reinigung und Pflege

GEFAHR DURCH ELEKTRISCHEN SCHLAG!

- ▶ Ziehen Sie vor jeder Reinigung den Netzstecker!




WARNUNG - VERLETZUNGSGEFAHR!

- ▶ Lassen Sie das Gerät erst abkühlen, bevor Sie es reinigen. Verbrennungsgefahr!

ACHTUNG - SACHSCHADEN

- ▶ Benutzen Sie zur Reinigung der Oberflächen weder scharfe Scheuer- oder chemischen Reinigungsmittel, noch spitze oder kratzende Gegenstände.
- Entleeren Sie nach jedem Gebrauch den Wassertank **8**.
- Nehmen Sie nach jedem Gebrauch das Pad **6** vom Dampffuß **5** und waschen Sie es aus.

- Beachten Sie folgende Waschanweisungen, wenn Sie das Pad **6** in der Waschmaschine reinigen:

	max. bei 60° waschen
	nicht im Trockner trocknen
	nicht bügeln

- Wischen Sie bei Bedarf das Gerät mit einem feuchten Tuch ab. Bei hartnäckigeren Verschmutzungen geben Sie ein mildes Spülmittel auf das Tuch.

Wartung/Filter wechseln

Nach 4 - 6 Monaten oder ca. 100 Reinigungszyklen (ein Zyklus entspricht einer Wassertankfüllung), muss der Filter **7** gewechselt werden. Bitte wenden Sie sich für Ersatzfilter an unseren Service.

GEFAHR DURCH ELEKTRISCHEN SCHLAG!

- ▶ Ziehen Sie vor dem Wechsel des Filters **7** den Netzstecker!

- 1) Zum Entfernen des Filters **7**, nehmen Sie zuerst den Wassertank **8** aus dem Gerät.
- 2) Ziehen Sie den Filter **7** nach oben aus dem Gerät.
- 3) Setzen Sie den neuen Filter **7** ein.
- 4) Setzen Sie den Wassertank **8** ein.

Fehlerbehebung

Programm	Mögliche Ursachen	Mögliche Lösungen
Das Gerät funktioniert nicht.	Der Netzstecker ist nicht angeschlossen.	Schließen Sie das Gerät an eine Netzsteckdose an.
Das Gerät erzeugt keinen Dampf.	Die Taste „Dampf“ 14 ist nicht gedrückt.	Drücken Sie die Taste „Dampf“ 14 .
	Es ist kein Wasser im Wassertank 8 .	Füllen Sie Wasser in den Wassertank 8 .
	Der Filter 7 ist verstopft.	Wechseln Sie den Filter 7 .
	Es ist keine Dampfstärke ausgewählt.	Wählen Sie mit der Taste MODE 13 die gewünschte Dampfstärke.
Die Pumpe erzeugt ungewöhnlich laute Geräusche.	Es ist kein Wasser im Wassertank 8 .	Füllen Sie Wasser in den Wassertank 8 .
Es hat sich ein weißlicher Rand auf dem Fußboden gebildet, wo das Gerät während des Betriebes kurz stehen blieb.	Es hat sich etwas Kalk abgelagert.	Wischen Sie die Kalkablagerungen mit einem feuchten Tuch weg. Geben Sie, falls nötig etwas Entkalker auf das Tuch.

Aufbewahren

- Klappen Sie den Griff ein, indem Sie die Entriegelungstaste „Griff“ **1** drücken.
- Ziehen Sie den oberen Kabelhaken **16** ein wenig heraus und drehen Sie diesen wieder nach oben. Wickeln Sie das Netzkabel um die beiden Kabelhaken **16/18**.
- Tragen Sie das Gerät am Tragegriff **2**.
- Bewahren Sie das Gerät an einem trockenen und staubfreien Ort auf.

Entsorgung



Werfen Sie das Gerät keinesfalls in den normalen Hausmüll. Dieses Produkt unterliegt der europäischen Richtlinie 2012/19/EU-WEEE (Waste Electrical and Electronic Equipment).

Entsorgen Sie das Gerät über einen zugelassenen Entsorgungsbetrieb oder über Ihre kommunale Entsorgungseinrichtung. Beachten Sie die aktuell geltenden Vorschriften. Setzen Sie sich im Zweifelsfall mit Ihrer Entsorgungseinrichtung in Verbindung.

Anhang

Technische Daten

Spannungsversorgung	220 - 240 V ~ (Wechselstrom) 50/60 Hz
Leistungsaufnahme	1370 - 1630 W
Schutzart	IPX4 Schutz gegen Spritzwasser aus allen Richtungen

Informationen zu den Pads **6**/**19**

Materialzusammensetzung	100 % Polyester
	max. bei 60° waschen
	nicht im Trockner trocknen
	nicht bügeln

Garantie der Kompernaß Handels GmbH

Sehr geehrte Kundin, sehr geehrter Kunde,

Sie erhalten auf dieses Gerät 3 Jahre Garantie ab Kaufdatum. Im Falle von Mängeln dieses Produkts stehen Ihnen gegen den Verkäufer des Produkts gesetzliche Rechte zu. Diese gesetzlichen Rechte werden durch unsere im Folgenden dargestellte Garantie nicht eingeschränkt.

Garantiebedingungen

Die Garantiefrist beginnt mit dem Kaufdatum. Bitte bewahren Sie den Original-Kassenbon gut auf. Diese Unterlage wird als Nachweis für den Kauf benötigt.

Tritt innerhalb von drei Jahren ab dem Kaufdatum dieses Produkts ein Material- oder Fabrikationsfehler auf, wird das Produkt von uns – nach unserer Wahl – für Sie kostenlos repariert oder ersetzt. Diese Garantieleistung setzt voraus, dass innerhalb der Drei-Jahres-Frist das defekte Gerät und der Kaufbeleg (Kassenbon) vorgelegt und schriftlich kurz beschrieben wird, worin der Mangel besteht und wann er aufgetreten ist.

Wenn der Defekt von unserer Garantie gedeckt ist, erhalten Sie das reparierte oder ein neues Produkt zurück. Mit Reparatur oder Austausch des Produkts beginnt kein neuer Garantiezeitraum.

Garantiezeit und gesetzliche Mängelansprüche

Die Garantiezeit wird durch die Gewährleistung nicht verlängert. Dies gilt auch für ersetzte und reparierte Teile. Eventuell schon beim Kauf vorhandene Schäden und Mängel müssen sofort nach dem Auspacken gemeldet werden. Nach Ablauf der Garantiezeit anfallende Reparaturen sind kostenpflichtig.

Garantieumfang

Das Gerät wurde nach strengen Qualitätsrichtlinien sorgfältig produziert und vor Auslieferung gewissenhaft geprüft.

Die Garantieleistung gilt für Material- oder Fabrikationsfehler. Diese Garantie erstreckt sich nicht auf Produktteile, die normaler Abnutzung ausgesetzt sind und daher als Verschleißteile angesehen werden können oder für Beschädigungen an zerbrechlichen Teilen, z. B. Schalter, Akkus, Backformen oder Teile die aus Glas gefertigt sind.

Diese Garantie verfällt, wenn das Produkt beschädigt, nicht sachgemäß benutzt oder gewartet wurde. Für eine sachgemäße Benutzung des Produkts sind alle in der Bedienungsanleitung aufgeführten Anweisungen genau einzuhalten. Verwendungszwecke und Handlungen, von denen in der Bedienungsanleitung abgeraten oder vor denen gewarnt wird, sind unbedingt zu vermeiden.

Das Produkt ist nur für den privaten und nicht für den gewerblichen Gebrauch bestimmt. Bei missbräuchlicher und unsachgemäßer Behandlung, Gewaltanwendung und bei Eingriffen, die nicht von unserer autorisierten Service-Niederlassung vorgenommen wurden, erlischt die Garantie.

Abwicklung im Garantiefall

Um eine schnelle Bearbeitung ihres Anliegens zu gewährleisten, folgen Sie bitte den folgenden Hinweisen:

- Bitte halten Sie für alle Anfragen den Kassenbon und die Artikelnummer (z. B. IAN 12345) als Nachweis für den Kauf bereit.
- Die Artikelnummer entnehmen Sie bitte dem Typenschild, einer Gravur, auf dem Titelblatt ihrer Anleitung (unten links) oder als Aufkleber auf der Rück- oder Unterseite.
- Sollten Funktionsfehler oder sonstige Mängel auftreten kontaktieren Sie zunächst die nachfolgend benannte Serviceabteilung **telefonisch** oder per **E-Mail**.
- Ein als defekt erfasstes Produkt können Sie dann unter Beifügung des Kaufbelegs (Kassenbon) und der Angabe, worin der Mangel besteht und wann er aufgetreten ist, für Sie portofrei an die Ihnen mitgeteilte Service-Anschrift übersenden.



Auf www.lidl-service.com können Sie diese und viele weitere Handbücher, Produktvideos und Software herunterladen.

Service

DE Service Deutschland

Tel.: 0800 5435 111 (Kostenfrei aus dem dt. Festnetz/Mobilfunknetz)

E-Mail: kompernass@lidl.de

AT Service Österreich

Tel.: 0820 201 222 (0,15 EUR/Min.)

E-Mail: kompernass@lidl.at

CH Service Schweiz

Tel.: 0842 665566 (0,08 CHF/Min., Mobilfunk max. 0,40 CHF/Min.)

E-Mail: kompernass@lidl.ch

IAN 280641

Importeur

Bitte beachten Sie, dass die folgende Anschrift keine Serviceanschrift ist. Kontaktieren Sie zunächst die benannte Servicestelle.

KOMPERNASS HANDELS GMBH

BURGSTRASSE 21

44867 BOCHUM

GERMANY

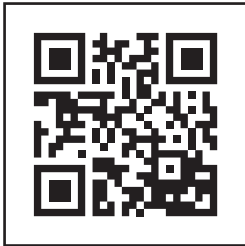
www.kompernass.com

Ersatzteile bestellen

Folgende Ersatzteile können Sie zum Produkt SDM 1500 C2 bestellen:



Bestellen Sie die Ersatzteile über unsere Service-Hotline (siehe Kapitel „Service“) oder bequem auf unserer Webseite unter www.kompernass.com.



HINWEIS

- ▶ Halten Sie die IAN-Nummer, die Sie auf dem Umschlag dieser Bedienungsanleitung finden, für Ihre Bestellung bereit.

KOMPERNASS HANDELS GMBH

BURGSTRASSE 21

44867 BOCHUM

DEUTSCHLAND/GERMANY

www.kompernass.com

Last Information Update · Tilstand af information

Stand van de informatie · Stand der Informationen:

11 / 2016 · Ident.-No.: SDM1500C2-092016-3

IAN 280641