



CORDLESS JIGSAW PSTDA 20-Li A1

GB IE NI CY

CORDLESS JIGSAW

Translation of the original instructions

DE AT CH

AKKU-PENDELHUBSTICHSÄGE

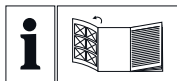
Originalbetriebsanleitung

GR CY

ΕΠΑΝΑΦΟΡΤΙΟΜΕΝΗ ΣΕΓΑ ΤΑΛΑΝΤΩΣΗΣ

Μετάφραση των αυθεντικών οδηγιών λειτουργίας

IAN 279504



GB IE NI CY

Before reading, unfold the page containing the illustrations and familiarise yourself with all functions of the device.

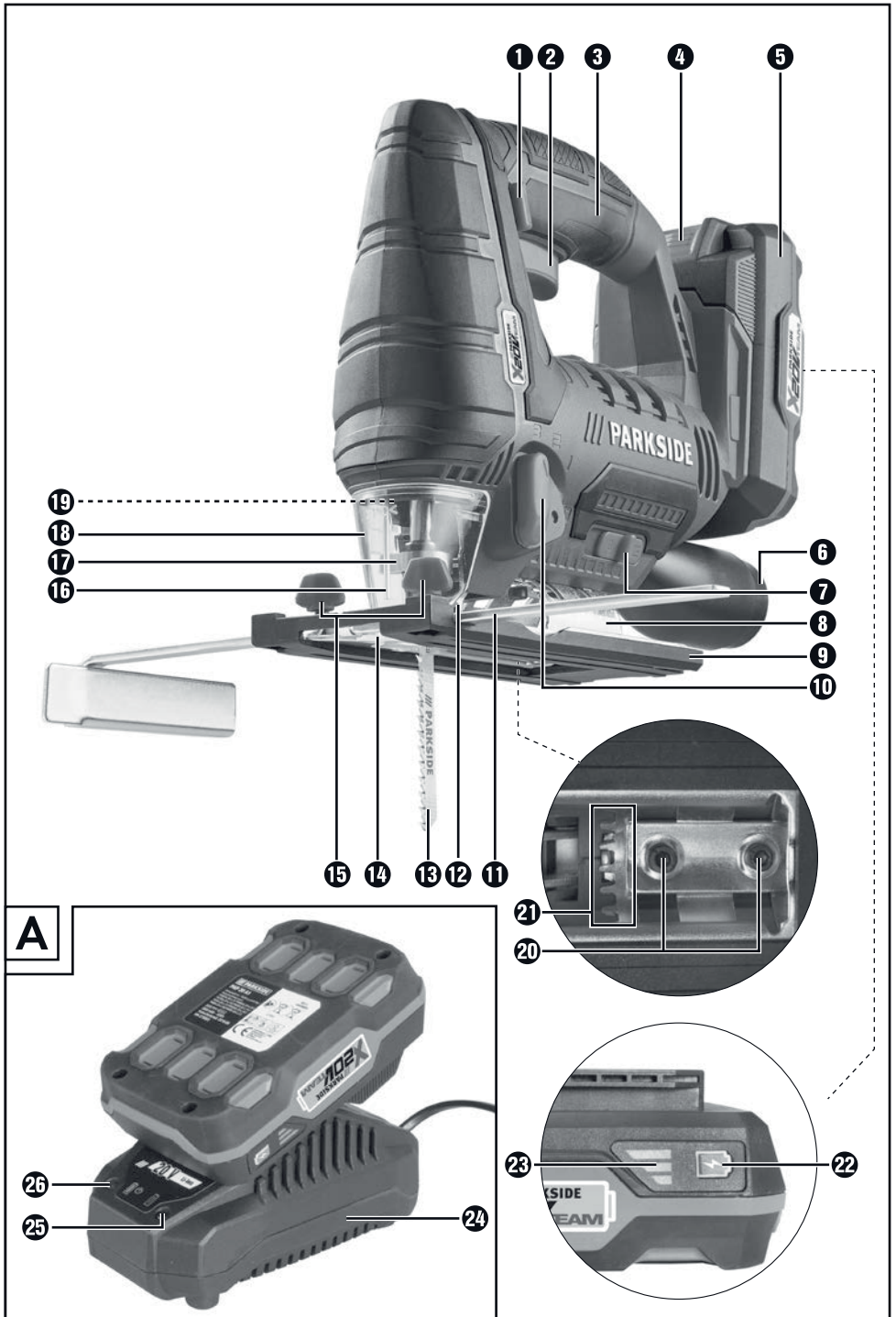
GR CY

Πριν ξεκινήσετε την ανάγνωση, ανοίξτε τις δυο σελίδες με τις εικόνες και εξοικειωθείτε με όλες τις λειτουργίες της συσκευής.

DE AT CH

Klappen Sie vor dem Lesen die Seite mit den Abbildungen aus und machen Sie sich anschließend mit allen Funktionen des Gerätes vertraut.

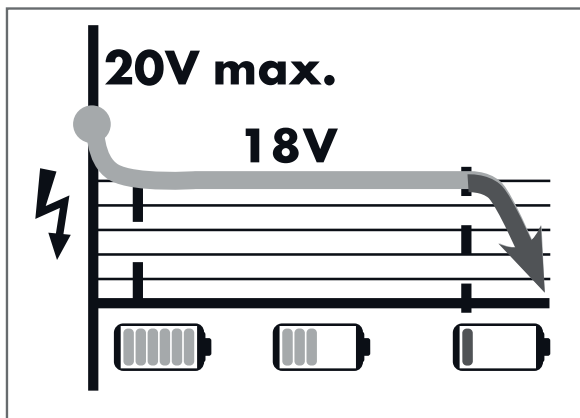
GB/IE/NI/CY	Translation of the original instructions	Page	1
GR/CY	Μετάφραση των αυθεντικών οδηγιών λειτουργίας	Σελίδα	13
DE/AT/CH	Originalbetriebsanleitung	Seite	27





BATTERY COMPATIBLE WITH ALL DEVICES OF THE SERIES „PARKSIDE X 20V TEAM“

- 2 SPEED CORDLESS IMPACT DRILL PSBSA 20-Li A1
- CORDLESS HAMMER DRILL PABH 20-Li B2
- CORDLESS DRILL PABS 20-Li C3
- CORDLESS IMPACT DRIVER PDSSA 20-Li A1
- CORDLESS CIRCULAR SAW PHKSA 20-Li A1
- CORDLESS JIGSAW PSTDA 20-Li A1
- CORDLESS SABRE SAW PSSA 20-Li A1
- CORDLESS ANGLE GRINDER PWSA 20-Li A1
- CORDLESS MULTI-PURPOSE TOOL PAMFW 20-Li A1



Contents

Introduction	2
Intended use	2
Features	2
Package contents	2
Technical data	2
General Power Tool Safety Warnings	3
1. Work area safety	3
2. Electrical safety	3
3. Personal safety	4
4. Power tool use and care	4
5. Use and handling of the cordless electrical power tool	5
6. Service	5
Appliance-specific safety instructions for jigsaws	5
Safety guidelines for battery chargers	5
Original accessories/auxiliary equipment	6
Information on saw blades	6
Before use	6
Charging the battery pack (see fig. A)	6
Attaching/disconnecting the battery pack to/from the appliance	7
Checking the battery charge level	7
Initial operation	7
Fitting/changing the saw blade	7
Fitting the blade guard	7
Fitting the rip fence	7
Connecting the sawdust extractor	7
Sawdust blowing function	7
Fitting the splinter guard	8
Fitting the sliding shoe	8
Use	8
Setting the cutting angle	8
Setting the stroke rate	8
Adjusting the pendulum stroke	8
Switching on/off	8
Maintenance and cleaning	9
Kompernass Handels GmbH warranty	9
Service	10
Importer	10
Disposal	10
Translation of the original Conformity Declaration	11
Ordering a replacement battery	12
Online ordering	12
Telephone ordering	12

CORDLESS JIGSAW

PSTDA 20-Li A1

Introduction

Congratulations on the purchase of your new appliance. You have chosen a high-quality product. The operating instructions are part of this product. They contain important information about safety, usage and disposal. Before using the product, please familiarise yourself with all operating and safety instructions. Use the product only as described and for the range of applications specified. Please also pass these operating instructions on to any future owner.

Intended use

This appliance is suitable for making straight and curved cuts as well as mitre cuts of up to 45° in angular workpieces made of plastic, wood or light metal. This appliance is exclusively intended for private use in dry indoor spaces. Observe the guidelines on saw blade types. Any other usage of or modification to the appliance is deemed to be improper and carries a significant risk of accidents. The manufacturer accepts no responsibility for damage(s) attributable to misuse.

Features

- ❶ Safety lock-out for ON/OFF switch
- ❷ ON/OFF switch
- ❸ Handle
- ❹ Release button for battery pack
- ❺ Battery pack
- ❻ Extraction nozzle
- ❼ Switch for sawdust blower
- ❽ Footplate
- ❾ Sliding shoe (removable)
- ❿ Pendulum stroke switch
- ⓫ Rip fence
- ⓬ Guide roller
- ⓭ Saw blade
- ⓮ Splinter guard
- ⓯ Insertion openings (each incl. locking screw)
- ⓰ Guard rail
- ⓱ Quick-release chuck
- ⓲ Blade guard
- ⓳ Working light
- ⓴ Clamping screws
- ⓵ Tothing

- ⓶ Battery charge level button
- ⓷ Battery display LED
- ⓸ High-speed charger
- ⓹ Red charge control LED
- ⓺ Green charge control LED

Package contents

- 1 cordless jigsaw incl. extraction nozzle and adaptor
- 1 high-speed battery charger
- 1 battery pack
- 1 rip fence
- 2 saw blades for woodworking
- 1 saw blade for metalworking
- 1 hex key
- 1 splinter guard
- 1 operating manual

Technical data

Cordless jigsaw:

PSTDA 20-Li A1

Rated voltage:	20 V --- (DC)
Rated idle stroke speed:	n_0 0-2700 rpm
Stroke:	20 mm
Pendulum stroke:	3 stages and fine-cut setting
Cutting depth:	wood/aluminium/metal: 80/12/5 mm
Cuts:	0° - 15° - 30° - 45° left/right


Use only the following battery to operate the cordless tool: PAP 20 A1

Type:	LITHIUM ION
Rated voltage:	20 V --- (DC)
Capacity:	2.0 Ah
Cells:	5


Use only the following high-speed battery charger to charge the cordless tool: PLG 20 A1

INPUT:

Rated voltage:	230-240 V \sim , 50 Hz (alternating current)
----------------	---

Rated power consumption:	65 W
Fuse (internal):	3.15 A  ^{T3:15A}

OUTPUT:

Rated voltage:	21.5 V --- (DC)
Rated current:	2.4 A
Charging time:	approx. 60 min
Protection class:	II/  (double insulation)

Noise emission value:

Noise measurement value determined in accordance with EN 60745. The A-rated noise level of the power tool is typically as follows:

Sound pressure level: $L_{PA} = 80 \text{ dB (A)}$

Uncertainty K: $K_{PA} = 3 \text{ dB}$

Sound power level: $L_{WA} = 91 \text{ dB (A)}$

Uncertainty K: $K_{WA} = 3 \text{ dB}$

Wear hearing protection!

Total vibration value:

(vector total of three directions) determined in accordance with EN 60745:

Cutting boards: $a_{h,B} = 5.9 \text{ m/s}^2$

Uncertainty K = 1.5 m/s^2

Cutting sheet metal: $a_{h,M} = 7.2 \text{ m/s}^2$

Uncertainty K = 1.5 m/s^2

NOTE

- ▶ The vibration level specified in these instructions has been measured in accordance with the standardised measuring procedure specified in EN 60745 and can be used to make equipment comparisons. The specified vibration emission value can also be used to make an initial exposure estimate.

⚠ WARNING!

- ▶ The vibration level will vary according to the use of the power tool and may sometimes be higher than the value specified in these instructions. Regular use of the power tool in this way may cause the user to underestimate the vibration. Try to keep the vibration loads as low as possible. Measures to reduce the vibration load are, e.g. wearing gloves and limiting the working time. Wherein all states of operation must be included (e.g. times when the power tool is switched off and times where the power tool is switched on but running without load).



General Power Tool Safety Warnings

⚠ WARNING!

- ▶ Read all safety warnings and all instructions. Failure to follow the warnings and instructions may result in electric shock, fire and/or serious injury.

Save all warnings and instructions for future reference.

The term "power tool" in the warnings refers to your mains-operated (corded) power tool or battery-operated (cordless) power tool.

1. Work area safety

- Keep work area clean and well lit.** Cluttered or dark areas invite accidents.
- Do not operate power tools in explosive atmospheres, such as in the presence of flammable liquids, gases or dust.** Power tools create sparks which may ignite the dust or fumes.
- Keep children and bystanders away while operating a power tool.** Distractions can cause you to lose control.

2. Electrical safety

- Power tool plugs must match the outlet. Never modify the plug in any way. Do not use any adapter plugs with earthed (grounded) power tools.** Unmodified plugs and matching outlets will reduce risk of electric shock.
- Avoid body contact with earthed or grounded surfaces, such as pipes, radiators, ranges and refrigerators.** There is an increased risk of electric shock if your body is earthed or grounded.
- Do not expose power tools to rain or wet conditions.** Water entering a power tool will increase the risk of electric shock.

- d) Do not abuse the cord. Never use the cord for carrying, pulling or unplugging the power tool. Keep cord away from heat, oil, sharp edges or moving parts. Damaged or entangled cords increase the risk of electric shock.
- e) When operating a power tool outdoors, use an extension cord suitable for outdoor use. Use of a cord suitable for outdoor use reduces the risk of electric shock.
- f) If operating a power tool in a damp location is unavoidable, use a residual current device (RCD) protected supply. Use of an RCD reduces the risk of electric shock.

3. Personal safety

- a) Stay alert, watch what you are doing and use common sense when operating a power tool. Do not use a power tool while you are tired or under the influence of drugs, alcohol or medication. A moment of inattention while operating power tools may result in serious personal injury.
- b) Use personal protective equipment. Always wear eye protection. Protective equipment such as dust mask, non-skid safety shoes, hard hat, or hearing protection used for appropriate conditions will reduce personal injuries.
- c) Prevent unintentional starting. Ensure the switch is in the off-position before connecting to power source and/or battery pack, picking up or carrying the tool. Carrying power tools with your finger on the switch or energising power tools that have the switch on invites accidents.
- d) Remove any adjusting key or wrench before turning the power tool on. A wrench or a key left attached to a rotating part of the power tool may result in personal injury.
- e) Do not overreach. Keep proper footing and balance at all times. This enables better control of the power tool in unexpected situations.
- f) Dress properly. Do not wear loose clothing or jewellery. Keep your hair, clothing and gloves away from moving parts. Loose clothes, jewellery or long hair can be caught in moving parts.

- g) If devices are provided for the connection of dust extraction and collection facilities, ensure these are connected and properly used. Use of dust collection can reduce dust-related hazards.

4. Power tool use and care

- a) Do not force the power tool. Use the correct power tool for your application. The correct power tool will do the job better and safer at the rate for which it was designed.
- b) Do not use the power tool if the switch does not turn it on and off. Any power tool that cannot be controlled with the switch is dangerous and must be repaired.
- c) Disconnect the plug from the power source and/or the battery pack from the power tool before making any adjustments, changing accessories or storing power tools. Such preventive safety measures reduce the risk of starting the power tool accidentally.
- d) Store idle power tools out of the reach of children and do not allow persons unfamiliar with the power tool or these instructions to operate the power tool. Power tools are dangerous in the hands of untrained users.
- e) Maintain power tools. Check for misalignment or binding of moving parts, breakage of parts and any other condition that may affect the power tool's operation. If damaged, have the power tool repaired before use. Many accidents are caused by poorly maintained power tools.
- f) Keep cutting tools sharp and clean. Properly maintained cutting tools with sharp cutting edges are less likely to bind and are easier to control.
- g) Use the power tool, accessories and tool bits, etc. in accordance with these instructions, taking into account the working conditions and the work to be performed. Use of the power tool for operations different from those intended could result in a hazardous situation.

5. Use and handling of the cordless electrical power tool

- a) Charge a rechargeable battery unit using only the charger recommended by the manufacturer. Chargers are often designed for a particular type of rechargeable battery unit. There is the danger of fire if other types of rechargeable battery units are used.
- b) Only the rechargeable battery units supplied are to be used with an electrical power tool. The use of other rechargeable battery units may lead to the danger of injury or fire.
- c) When they are not being used, store rechargeable battery units away from paper-clips, coins, keys, nails, screws or other small metal objects that could cause the contacts to be bridged. Short-circuiting the contacts of a rechargeable battery unit may result in heat damage or fire.
- d) Fluids may leak out of rechargeable battery units if they are misused. If this happens, avoid contact with the fluid. If contact occurs, flush the affected area with water. Seek additional medical help if any of the fluid gets into your eyes. Escaping battery fluid may cause skin irritation or burns.



CAUTION! RISK OF EXPLOSION!
Never charge non-rechargeable batteries!



Protect the rechargeable battery from heat, for example from continuous exposure to sunlight, fire, water and moisture. There is a risk of explosion.



6. Service

- a) Have your power tool serviced by a qualified repair person using only identical replacement parts. This will ensure that the safety of the power tool is maintained.

Appliance-specific safety instructions for jigsaws

- Hold the power tool by the insulated gripping surfaces when carrying out work during which the power tool may contact hidden power cables. Contact with a live wire may electrify exposed metal parts of the power tool and could give the operator an electric shock.

Safety guidelines for battery chargers

- This appliance may be used by children aged 8 years and above and by persons with limited physical, sensory or mental capabilities or lack of experience and knowledge, provided that they are under supervision or have been told how to use the appliance safely and are aware of the potential risks. Do not allow children to use the appliance as a toy. Cleaning and user maintenance tasks may not be carried out by children unless they are supervised.
- To avoid potential risks, damaged mains cables should be replaced by the manufacturer, their customer service department or a similarly qualified person.



The charger is suitable for indoor use only.

WARNING!

- If the power cord requires replacement, this should be carried out by the manufacturer or an approved representative to avoid safety hazards.

Original accessories/auxiliary equipment

- Use only the accessories and additional equipment that are specified in the operating instructions and are compatible with the appliance.

Information on saw blades


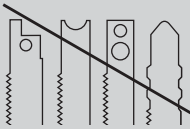
The Parkside basic equipment includes saw blades for use with wood and metal.

- 2 saw blades for general wood cutting
- 1 saw blade for light metals up to 5 mm

NOTE

- ▶ You can use any saw blade, provided it is fitted with a suitable mounting (single-lug shank).

Saw blade type

suitable	unsuitable
	

Before use

Charging the battery pack (see fig. A)

⚠ CAUTION!

- ▶ Always unplug the appliance before you remove the battery pack from or connect the battery pack to the charger.

NOTE

- ▶ Never charge the battery pack if the ambient temperature is below 10°C or above 40°C. If a lithium-ion battery is to be stored for an extended period, the charge level should be checked regularly. The optimum charge level is between 50% and 80%. The storage climate should be cool and dry and the ambient temperature should be between 0°C and 50°C.

- ◆ Connect the battery pack **5** to the high-speed battery charger **24** (see fig. A).
- ◆ Insert the power plug into the socket. The control LED **25** lights up red.
- ◆ The green LED **26** indicates that the charging process is complete and the battery pack **5** is ready.

⚠ CAUTION!

- ◆ If the red control LED **25** flashes, this means that the battery pack **5** has overheated and cannot be charged.
- ◆ If the red and green control LEDs **25** **26** both flash, this means that the battery pack **5** is broken.
- ◆ Push the battery pack **5** back into the appliance.
- Never recharge a battery pack again immediately after rapid charging. There is a risk that the battery pack will overheat and this will reduce the lifespan of the battery.
- ◆ Switch off the charger for at least 15 minutes between successive charging sessions. To do this, disconnect the power plug.

Attaching/disconnecting the battery pack to/from the appliance

Inserting the battery pack:

- ◆ Allow the battery pack **5** to click into place in the appliance.

Removing the battery pack:

- ◆ Press the release button **4** and remove the battery pack.

Checking the battery charge level

- ◆ Press the battery charge level button **22** to check the status of the battery (see also main diagram). The status will be shown on the battery display LED **23** as follows:
 - ◆ RED/ORANGE/GREEN = maximum charge
 - ◆ RED/ORANGE = medium charge
 - ◆ RED = low charge - charge the battery

Initial operation

Fitting/changing the saw blade

Remove the battery before carrying out any work on the power tool (e.g. maintenance, changing tools, etc.) as well as during the transport and storage of the power tool.

Unintentional activation of the ON/OFF switch can result in injury.

- ◆ Press the blade guard together **18** at the height of the outer catches and pull it off to the front.
- ◆ Turn the quick-release chuck **17** and hold it in this position.
- ◆ Push the required saw blade into the quick-release chuck **17** as far as the stop.
- ◆ Release the quick-release chuck **17** so that it returns to its initial position. The saw blade is now locked.
- **CAUTION!** The saw blade teeth must face the front (see fold-out page)!

Fitting the blade guard

Fit the blade guard **18** before you connect the appliance to a dust extractor.

- ◆ Fit the blade guard **18** onto the appliance so that the two outer catches engage in the recesses in the housing.
- ◆ Remove the blade guard **18** for working without a dust extractor or when making mitre cuts. To do this, press the blade guard together **18** at the height of the outer catches and pull it off to the front.

Fitting the rip fence

The rip fence **11** can be fitted on the left or right of the appliance.

- ◆ Undo both the clamping screws on the insertion openings **15**.
- ◆ Push the rip fence **11** into the insertion openings **15**.
- ◆ Retighten the two locking screws.

Connecting the sawdust extractor

- ◆ Push the extraction nozzle **6** into the vacuum extraction duct until it is secured in place. Optional, depending on the diameter of the dust and sawdust extractor.
- ◆ Attach an approved dust and sawdust extractor to the extraction nozzle **6**.

-  Wear a dust mask.

Supporting the extraction function:

- ◆ Press the sawdust blower switch **7** to the "O" position.

Sawdust blowing function

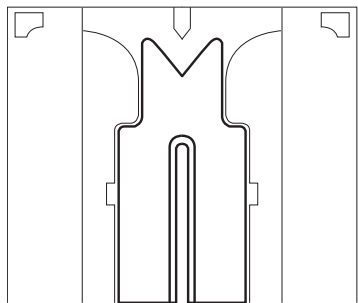
Switching the sawdust blowing function on:

- ◆ Press the sawdust blower switch **7** to the  position.

Fitting the splinter guard

The splinter guard **14** can prevent the tearing up of the surface when sawing wood. The splinter guard **14** can only be used with certain sawblade types without the sliding shoe **9** and only at a cutting angle of 0°.

- ◆ Press the splinter guard **14** into the footplate **8** from below (notch facing upwards).



Fitting the sliding shoe

When working on sensitive surfaces, you can fit the sliding shoe **9** on the baseplate **8** to prevent scratching the surface.

- ◆ Mount the sliding shoe **9** onto the front of the baseplate **8** and press it up at the back until it clicks into place on the baseplate **8**.
- ◆ To remove the sliding shoe **9**, unfasten it at the rear of the baseplate **8** and slide it off the front.

Use

Setting the cutting angle

- ◆ Undo the clamping screws **20** with the supplied hex key and pull the baseplate **8** to the rear.
- ◆ Adjust the cutting angle to 0°/15°/30°/45° with the aid of the markings on the baseplate **8**. Push the baseplate **8** forwards so that the locking pin engages in the toothing **21**.
- ◆ Retighten the clamping screws **20** with the hex key.

NOTE

- ▶ When using a cutting angle of 15°/30°/45°, the blade guard **13** and the splinter guard **14** must be detached beforehand.

Setting the stroke rate

The ON/OFF switch **2** has a variable speed control. Press the ON/OFF switch **2** lightly for a low speed. Increasing the pressure increases the speed.

NOTE

- ▶ The integrated motor brake ensures rapid stoppage.

Adjusting the pendulum stroke

- ◆ You can use the pendulum stroke switch **10** to adjust the pendulum movement of the saw blade **13**. You can achieve fine, clean-cut edges without pendulum movement (setting "0"). Deactivate pendulum movement when working on thin workpieces. You can achieve an increasingly fast work rate if the pendulum stroke is activated (settings 1-3).

Switching on/off

Switching the appliance on:

- ◆ Push the safety lock-out **1** to the left or right and keep it pressed.
- ◆ Press the ON/OFF switch **2**.
Once the saw is running, you can release the safety lock-out **1**. The working light **19** illuminates when the ON/OFF switch **2** is depressed lightly or completely. This provides illumination of the work area in poor lighting conditions.

Switching the appliance off:

Release the ON/OFF switch **2**.

Maintenance and cleaning



WARNING! RISK OF INJURY! Always switch the appliance off and remove the battery before carrying out any work on the appliance.

- The appliance must always be kept clean, dry and free from oil or grease.
- Use a soft, dry cloth to clean the housing.
- If a lithium-ion battery is to be stored for an extended period, the charge level should be checked regularly. The optimum charge level is between 50% and 80%. The optimum storage environment is cool and dry.
- Clean the appliance after completing your sawing work.
- Remove any dirt (e.g. sawdust). If necessary, clean the saw blade mount with a brush or compressed air.

Kompernass Handels GmbH warranty

Dear Customer,

This appliance has a 3-year warranty valid from the date of purchase. If this product has any faults, you, the buyer, have certain statutory rights. Your statutory rights are not restricted in any way by the warranty described below.

Warranty conditions

The validity period of the warranty starts from the date of purchase. Please keep your original receipt in a safe place. This document will be required as proof of purchase.

If any material or production fault occurs within three years of the date of purchase of the product, we will either repair or replace the product for you at our discretion. This warranty service is dependent on you presenting the defective appliance and the proof of purchase (receipt) and a short written description of the fault and its time of occurrence.

If the defect is covered by the warranty, your product will either be repaired or replaced by us. The repair or replacement of a product does not signify the beginning of a new warranty period.

Warranty period and statutory claims for defects

The warranty period is not prolonged by repairs effected under the warranty. This also applies to replaced and repaired components. Any damage and defects present at the time of purchase must be reported immediately after unpacking. Repairs carried out after expiry of the warranty period shall be subject to a fee.

Scope of the warranty

This appliance has been manufactured in accordance with strict quality guidelines and inspected meticulously prior to delivery.

The warranty covers material faults or production faults. The warranty does not extend to product parts subject to normal wear and tear or fragile parts such as switches, batteries, baking moulds or parts made of glass.

The warranty does not apply if the product has been damaged, improperly used or improperly maintained. The directions in the operating instructions for the product regarding proper use of the product are to be strictly followed. Uses and actions that are discouraged in the operating instructions or which are warned against must be avoided.

This product is intended solely for private use and not for commercial purposes. The warranty shall be deemed void in cases of misuse or improper handling, use of force and modifications/repairs which have not been carried out by one of our authorised Service centres.

Warranty claim procedure

To ensure quick processing of your case, please observe the following instructions:

- Please have the till receipt and the item number (e.g. IAN 12345) available as proof of purchase.
- You will find the item number on the type plate, an engraving on the front page of the instructions (bottom left), or as a sticker on the rear or bottom of the appliance.
- If functional or other defects occur, please contact the service department listed either by **telephone** or by **e-mail**.

- You can return a defective product to us free of charge to the service address that will be provided to you. Ensure that you enclose the proof of purchase (till receipt) and information about what the defect is and when it occurred.



You can download these instructions along with many other manuals, product videos and software on www.lidl-service.com.

Service

⚠ WARNING!

- ▶ **Have the power tool repaired by the service centre or a qualified electrician and only using genuine replacement parts.** This will ensure that the safety of the appliance is maintained.
- ▶ **Always ensure that the power plug or the mains cable is replaced only by the manufacturer of the appliance or by an approved customer service provider.** This will ensure that the safety of the appliance is maintained.

GB Service Great Britain

Tel.: 0871 5000 720 (£ 0.10/Min.)

E-Mail: kompernass@lidl.co.uk

IE Service Ireland

Tel.: 1890 930 034

(0,08 EUR/Min., (peak))

(0,06 EUR/Min., (off peak))

E-Mail: kompernass@lidl.ie

CY Service Cyprus

Tel.: 8009 4409

E-Mail: kompernass@lidl.com.cy

IAN 279504

Importer

Please note that the following address is not the service address. Please contact the service address provided.

KOMPERNASS HANDELS GMBH

BURGSTRASSE 21

44867 BOCHUM

GERMANY

www.kompernass.com

Disposal



The packaging is made from environmentally friendly material and can be disposed of at your local recycling plant.



Do not dispose of power tools in your normal household waste!

European Directive 2012/19/EU requires that worn-out power tools be collected separately and recycled in an environmentally compatible manner.



Do not dispose of batteries in your normal household waste!

Defective or worn-out rechargeable batteries must be recycled according to Directive 2006/66/EC. Take the battery pack and/or appliance to a nearby collection facility.

Please consult your local authorities regarding suitable disposal of worn out power tools/battery packs.

Translation of the original Conformity Declaration

We, KOMPERNASS HANDELS GMBH, document officer: Mr. Semi Uguzlu, BURGSTR. 21, 44867 BOCHUM, GERMANY, hereby declare that this product complies with the following standards, normative documents and EC directives:

Machinery Directive

(2006/42/EC)

EC Low Voltage Directive

(2014/35/EU)

EMC (Electromagnetic Compatibility)

(2014/30/EU)

RoHS Directive

(2011/65/EU)*

*The manufacturer bears the full responsibility for compliance with this conformity declaration. The object of the declaration described above complies with the requirements of the Directive 2011/65/EU of the European Parliament and Council of 8 June 2011 on the limitations of use of certain dangerous substances in electrical and electronic appliances.

Applied harmonised standards:

EN 60745-1: 2009 / A11: 2010

EN 60745-2-11: 2010

EN 62233: 2008

EN 55014-1: 2006 / A2: 2011

EN 55014-2: 2015

EN 60335-1: 2012 / A11: 2014

EN 60335-2-29: 2004 / A2:2010

EN 61000-3-2: 2014

EN 61000-3-3: 2013

Type designation of machine:

Cordless jigsaw PSTDA 20-Li A1

Year of manufacture: 10-2016

Serial number: IAN 279504

Bochum, 30/09/2016



Semi Uguzlu

- Quality Manager -

We reserve the right to make technical changes in the context of further product development.

Ordering a replacement battery

If you want to order a replacement battery for your appliance, you can do so easily via the Internet on www.kompernass.com or by telephone.

The price of the replacement battery is €20, including VAT and shipping. Due to limited stocks, this item may sell out in a relatively short time.



Online ordering

To order a replacement battery from the Accessories Shop:

- Use your Internet browser to visit www.kompernass.com.
- Click on the corresponding flag on the right hand side at the bottom of the page to select the desired country and language.
- Click on the tab "Accessory Shop" and then select the appropriate replacement battery under the heading "Topseller".
- After you have placed the rechargeable battery in the shopping basket, click the "Checkout" button and follow the on-screen instructions to complete the ordering process.

NOTE

- ▶ Online ordering of replacement parts is not possible in all countries. In this case, please contact the Service hotline.
- The promotion is limited to one battery per customer/appliance and also to a timeline of two months after the promotion period. Thereafter, the replacement battery can be ordered as a replacement part under other conditions.

Telephone ordering

- GB Service Great Britain**
Tel.: 0871 5000 720 (£ 0.10/Min.)
E-Mail: kompernass@lidl.co.uk
- IE Service Ireland**
Tel.: 1890 930 034
(0,08 EUR/Min., (peak))
(0,06 EUR/Min., (off peak))
E-Mail: kompernass@lidl.ie
- CY Service Cyprus**
Tel.: 8009 4409
E-Mail: kompernass@lidl.com.cy

To ensure that your order is processed swiftly, have the article number of your appliance to hand (e.g. IAN 279504) in case of questions. The article number can be found on the type plate or the title page of these instructions.

Περιεχόμενα

Εισαγωγή	14
Προβλεπόμενη χρήση	14
Εξοπλισμός	14
Παραδοτέος εξοπλισμός.....	14
Τεχνικά χαρακτηριστικά	14
Γενικές υποδείξεις ασφαλείας για ηλεκτρικά εργαλεία	15
1. Ασφάλεια στο χώρο εργασίας.....	15
2. Ηλεκτρική ασφάλεια.....	16
3. Ασφάλεια από μων	16
4. Χρήση και χειρισμός του ηλεκτρικού εργαλείου	17
5. Χρήση και χειρισμός του επαναφορτιζόμενου εργαλείου	17
6. Σέρβις	18
Συγκεκριμένες υποδείξεις ασφαλείας για σέγες	18
Υποδείξεις ασφαλείας για φορτιστές.....	18
Γνήσια εξαρτήματα/πρόσθετες συσκευές	18
Πληροφορίες σχετικά με τις λεπίδες	18
Πριν από τη θέση σε λειτουργία	19
Φόρτιση συστοιχίας συσσωρευτών (βλ. Εικ. Α).....	19
Τοποθέτηση/Απομάκρυνση συστοιχίας συσσωρευτών στη/από τη συσκευή	19
Έλεγχος κατάστασης συσσωρευτών.....	19
Θέση σε λειτουργία	19
Τοποθέτηση/Αλλαγή λεπίδας	19
Συναρμολόγηση του προστατευτικού καλύμματος	20
Τοποθέτηση παράλληλου αναστολέα	20
Σύνδεση διάταξης απορρόφησης ρινιδιών.....	20
Λειτουργία εκφύσησης ρινιδιών.....	20
Τοποθέτηση προστασίας ροκανιδιών	20
Τοποθέτηση πέλδου ολίσθησης	20
Χειρισμός	21
Ρύθμιση γωνίας κοπής.....	21
Ρύθμιση αριθμού εμβολισμών	21
Ρύθμιση εμβολισμού ταλάντωσης	21
Ενεργοποίηση / Απενεργοποίηση.....	21
Συντήρηση και καθαρισμός	21
Εγγύηση της Kompernass Handels GmbH	22
Σέρβις	23
Εισαγωγέας	23
Απόρριψη	23
Μετάφραση της Πρωτότυπης Δήλωση συμμόρφωσης	24
Παραγγελία εφεδρικού συσσωρευτή	25
Ηλεκτρονική παραγγελία.....	25
Τηλεφωνική παραγγελία.....	25

ΕΠΑΝΑΦΟΡΤΙΖΟΜΕΝΗ ΣΕΓΑ ΤΑΛΑΝΤΩΣΗΣ PSTDA 20-Li A1

Εισαγωγή

Σας συχαίρουμε για την αγορά της νέας σας συσκευής. Αποφασίσατε έτσι για την απόκτηση ενός προϊόντος υψηλής ποιότητας. Οι οδηγίες χρήσης είναι τμήμα αυτού του προϊόντος. Περιέχουν σημαντικές υποδείξεις για την ασφάλεια, τη χρήση και την απόρριψη. Πριν από τη χρήση του προϊόντος, εξοικειωθείτε με όλες τις υποδείξεις χειρισμού και ασφάλειας. Χρησιμοποιείτε το προϊόν μόνο όπως περιγράφεται και για τους αναφερόμενους τομείς χρήσης. Παραδώστε όλα τα έγγραφα σε περίπτωση παράδοσης του προϊόντος σε τρίτους.

Προβλεπόμενη χρήση

Η συσκευή είναι κατάλληλη για ευθείες και καμπυλωτές κοπές, καθώς και κοπές λοξότμησης έως 45° σε τεμάχια επεξεργασίας με γωνίες από πλαστικό, ξύλο και ελαφρό μέταλλο. Η συσκευή προορίζεται αποκλειστικά για ιδιωτική χρήση σε ξηρούς χώρους. Τηρείτε τις υποδείξεις σχετικά με τους τύπους λεπίδων. Κάθε άλλη χρήση ή μετατροπή της συσκευής ισχύει ως μη σύμφωνη με τους κανονισμούς και ενέχει σημαντικούς κινδύνους ατυχημάτων. Για βλάβες από χρήση μη σύμφωνη με τους κανονισμούς, ο κατασκευαστής δεν αναλαμβάνει καμία ευθύνη.

Εξοπλισμός

- 1 Φραγή ενεργοποίησης για διακόπτη ON/OFF
- 2 Διακόπτης ON/OFF
- 3 Λαβή
- 4 Πλήκτρο για την απασφάλιση της συστοιχίας συσσωρευτών
- 5 Συστοιχία συσσωρευτών
- 6 Στόμιο αναρρόφησης
- 7 Διακόπτης διάταξης εκφύσησης ριζιδιών
- 8 Βάση
- 9 Πέδιλο ολίσθησης (αφαιρούμενο)
- 10 Διακόπτης εμβολισμού ταλάντωσης
- 11 Παράλληλος αναστολέας
- 12 Τροχός οδηγός
- 13 Λεπίδα
- 14 Προστασία ροκανιδιών
- 15 Στόμια εισαγωγής (έκαστο με βίδα ρύθμισης)
- 16 Αψίδα προστασίας
- 17 Δίσκος ταχείας σύσφιξης
- 18 Προστατευτικό κάλυμμα

- 19 Λυχνία εργασίας
- 20 Βίδες σύσφιξης
- 21 Οδόντωση
- 22 Πλήκτρο κατάστασης συσσωρευτή
- 23 LED ένδειξης συσσωρευτή
- 24 Ταχυφορτιστής
- 25 Κόκκινο LED ελέγχου φόρτισης
- 26 Πράσινο LED ελέγχου φόρτισης

Παραδοτέος εξοπλισμός

- 1 Επαναφορτιζόμενη σέγα ταλάντωσης ριλ. στομίου αναρρόφησης και προσαρμογείς
- 1 Ταχυφορτιστής συσσωρευτή
- 1 Συστοιχία συσσωρευτών
- 1 Παράλληλος αναστολέας
- 2 Λεπίδες επεξεργασίας ξύλου
- 1 Λεπίδα επεξεργασίας μέταλλου
- 1 Εξάγωνο κλειδί
- 1 Προστασία ροκανιδιών
- 1 Οδηγίες χρήσης

Τεχνικά χαρακτηριστικά

Επαναφορτιζόμενη σέγα ταλάντωσης:

PSTDA 20-Li A1

Τάση μέτρησης:	20 V === (συνεχές ρεύμα)
Αριθμός εμβολισμών στο ρελαντί μέτρησης:	n ₀ 0 - 2700 min ⁻¹
Εμβολισμός:	20 mm
Εμβολισμός ταλάντωσης:	3 βαθμίδες και ρύθμιση κοπής ακριβείας
Βάθος κοπής:	Ξύλο/Αλουμίνιο/ Μέταλλο: 80/12/5 mm
Κοπές:	0° - 15° - 30° - 45° αριστερά/δεξιά

Για τη λειτουργία του επαναφορτιζόμενου εργαλείου χρησιμοποιείτε μόνο τον παρακάτω συσσωρευτή: PAP 20 A1

Τύπος:	ΛΙΘΙΟΥ-ΙΟΝΤΩΝ
Τάση μέτρησης:	20 V === (συνεχές ρεύμα)
Απόδοση:	2,0 Ah
Στοιχεία:	5

Για τη φόρτιση του επαναφορτιζόμενου εργαλείου, χρησιμοποιείτε μόνο τον παρακάτω ταχυφορτιστή συσσωρευτών: PLG 20 A1

ΕΙΣΟΔΟΣ / Input:

Τάση μέτρησης: 230 - 240 V ~, 50 Hz
(εναλλασσόμενο ρεύμα)

Κατανάλωση μέτρησης: 65 W

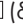
Ασφάλεια (εσωτερικά): 3,15 A 

ΕΞΟΔΟΣ / Output:

Τάση μέτρησης: 21,5 V \equiv (συνεχές ρεύμα)

Ρεύμα μέτρησης: 2,4 A

Διάρκεια φόρτισης: περ. 60 λεπτά

Κατηγορία προστασίας: II /  (διπλή μόνωση)

Τιμή εκπομπών θορύβου:

Τιμή μέτρησης για θόρυβο διακριβωμένη σύμφωνα με το EN 60745. Το επίπεδο θορύβου Α-στάθμισσης του ηλεκτρικού εργαλείου ανέρχεται συνήθως:

Στάθμη ηχητικής πίεσης: $L_{PA} = 80$ dB (A)

Αβεβαιότητα K: $K_{PA} = 3$ dB

Στάθμη ηχητικής ισχύος: $L_{WA} = 91$ dB (A)

Αβεβαιότητα K: $K_{WA} = 3$ dB

Φοράτε προστασία για την ακοή!

Συνολικές τιμές κραδασμών:

(διανυσματικό άθροισμα τριών κατευθύνσεων) υπολογισμένες κατά EN 60745:

Πριόνισμα μοριοσανίδας: $a_{h,B} = 5,9$ m/s²

Αβεβαιότητα K = 1,5 m/s²

Πριόνισμα μεταλλικών ελασμάτων: $a_{h,M} = 7,2$ m/s²

Αβεβαιότητα K = 1,5 m/s²

ΥΠΟΔΕΙΞΗ

- Το αναφερόμενο σε αυτές τις οδηγίες επίπεδο κραδασμών έχει μετρηθεί σύμφωνα με μια τυποποιημένη στο EN 60745 διαδικασία μέτρησης και μπορεί να χρησιμοποιείται για τη σύγκριση συσκευών. Η αναφερόμενη τιμή εκπομπής κραδασμών μπορεί επίσης να χρησιμοποιείται για μια αρχική εκτίμηση της έκθεσης.

⚠ ΠΡΟΕΙΔΟΠΟΙΗΣΗ!

- Το επίπεδο κραδασμών θα αλλάζει σύμφωνα με τη χρήση του ηλεκτρικού εργαλείου και σε ορισμένες περιπτώσεις μπορεί να βρίσκεται πάνω από την αναφερόμενη σε αυτές τις οδηγίες τιμή. Το φορτίο κραδασμών θα μπορούσε να υποτιμηθεί, εάν το ηλεκτρικό εργαλείο χρησιμοποιείται τακτικά με αυτό τον τρόπο. Προσπαθείτε να κρατάτε την επιβάρυνση λόγω δονήσεων όσο το δυνατόν μικρότερη. Παραδειγματικά μέτρα μείωσης της επιβάρυνσης λόγω δονήσεων είναι η χρήση γαντιών κατά τη χρήση του εργαλείου και ο περιορισμός του χρόνου εργασίας. Εδώ πρέπει να συνυπολογίζονται όλα τα μέρη του κύκλου εργασίας (παραδείγματος χάριν χρόνοι, κατά τους οποίους το ηλεκτρικό εργαλείο είναι απενεργοποιημένο, και χρόνοι, κατά τους οποίους είναι μεν ενεργοποιημένο, αλλά λειτουργεί χωρίς φορτίο).



Γενικές υποδείξεις ασφαλείας για ηλεκτρικά εργαλεία

⚠ ΠΡΟΕΙΔΟΠΟΙΗΣΗ!

- Διαβάστε όλες τις υποδείξεις ασφαλείας και τις οδηγίες. Παραλείψεις κατά την τήρηση των υποδείξεων ασφαλείας και των οδηγιών μπορούν να προκαλέσουν ηλεκτροπληξία, πυρκαγιά και/ή σοβαρούς τραυματισμούς.

Φυλάξτε όλες τις υποδείξεις ασφαλείας και τις οδηγίες για το μέλλον.

Ο χρησιμοποιούμενος σε αυτές τις υποδείξεις ασφαλείας όρος «Ηλεκτρικό εργαλείο» αναφέρεται σε ηλεκτρικά εργαλεία (με καλώδιο) που λειτουργούν με ρεύμα και σε ηλεκτρικά εργαλεία (χωρίς καλώδιο) που λειτουργούν μέσω συσσωρευτή.

1. Ασφάλεια στο χώρο εργασίας

- Διατηρείτε το χώρο εργασίας σας καθαρό και καλά φωτισμένο. Η ακαταστασία και οι μη φωτισμένοι χώροι εργασίας μπορούν να οδηγήσουν σε ατυχήματα.

- β) Μην εργάζεστε με το ηλεκτρικό εργαλείο σε περιβάλλον, όπου υπάρχει κίνδυνος έκρηξης, εύφλεκτα υγρά, αέρια ή σκόνης. Τα ηλεκτρικά εργαλεία δημιουργούν σπινθήρες, οι οποίοι μπορούν να προκαλέσουν ανάφλεξη στη σκόνη ή στους ατμούς.
- γ) Κρατάτε τα παιδιά και άλλα άτομα μακριά κατά τη χρήση του ηλεκτρικού εργαλείου. Σε περίπτωση διάσπασης της προσοχής μπορεί να χάσετε τον έλεγχο της συσκευής.

2. Ηλεκτρική ασφάλεια

- α) Το βύσμα σύνδεσης του ηλεκτρικού εργαλείου πρέπει να ταιριάζει στην πρίζα. Το βύσμα δεν επιτρέπεται να τροποποιηθεί με κανέναν τρόπο.
Μη χρησιμοποιείτε βύσματα ανταπτόρων μαζί με γειωμένα ηλεκτρικά εργαλεία. Τα βύσματα που δεν έχουν τροποποιηθεί και οι κατάλληλες πρίζες μειώνουν τον κίνδυνο ηλεκτροπληξίας.
- β) Αποφεύγετε τη σωματική επαφή με γειωμένες επιφάνειες, όπως σωλήνες, θερμαντικά σώματα, εστίες και ψυγεία. Υπάρχει αυξημένος κίνδυνος λόγω ηλεκτροπληξίας όταν το σώμα σας είναι γειωμένο.
- γ) Κρατάτε τα ηλεκτρικά εργαλεία μακριά από βροχή ή υγρασία. Η διείσδυση νερού σε μια ηλεκτρική συσκευή αυξάνει τον κίνδυνο ηλεκτροπληξίας.
- δ) Μη χρησιμοποιείτε το καλώδιο άσκοπα, π.χ. για να μεταφέρετε το ηλεκτρικό εργαλείο, να το κρεμάσετε ή για να τραβήξετε το βύσμα από την πρίζα. Κρατάτε το καλώδιο μακριά από υψηλές θερμοκρασίες, λάδια, αιχμηρές άκρες ή κινούμενα τμήματα της συσκευής. Τα φθαρμένα ή μπερδεμένα καλώδια αυξάνουν τον κίνδυνο ηλεκτροπληξίας.
- ε) Όταν εργάζεστε με ένα ηλεκτρικό εργαλείο σε εξωτερικό χώρο, χρησιμοποιείτε μόνο καλώδια επέκτασης, τα οποία έχουν εγκριθεί για εξωτερικούς χώρους. Η χρήση κατάλληλου καλωδίου επέκτασης για εξωτερικό χώρο μειώνει τον κίνδυνο ηλεκτροπληξίας.

στ) Εάν δεν μπορεί να αποφευχθεί η λειτουργία του ηλεκτρικού εργαλείου σε υγρό περιβάλλον, χρησιμοποιείτε διακόπτη ασφαλείας. Η χρήση διακόπτη ασφαλείας μειώνει τον κίνδυνο ηλεκτροπληξίας.

3. Ασφάλεια ατόμων

- α) Να είστε πάντα προσεκτικοί, προσέχετε τι κάνετε και χρησιμοποιείτε τη λογική όταν εργάζεστε με ένα ηλεκτρικό εργαλείο. Μη χρησιμοποιείτε ηλεκτρικά εργαλεία εάν είστε κουρασμένοι ή υπό την επήρεια ναρκωτικών, αλκοόλ ή φαρμάκων. Ένα μόνο λεπτό απροσεξίας κατά τη χρήση του ηλεκτρικού εργαλείου αρκεί για να οδηγήσει σε σοβαρούς τραυματισμούς.
- β) Φοράτε ατομικό προστατευτικό εξοπλισμό και πάντα γυαλιά προστασίας. Όταν φοράτε ατομικό προστατευτικό εξοπλισμό, όπως μάσκα για τη σκόνη, αντιπολιοθητικά υποδήματα ασφαλείας, κράνος ή προστασία για την ακοή, ανάλογα με το είδος και τη χρήση του ηλεκτρικού εργαλείου, μειώνεται ο κίνδυνος τραυματισμών.
- γ) Αποφεύγετε μια μη ηθελημένη θέση σε λειτουργία. Βεβαιώστε ότι το ηλεκτρικό εργαλείο έχει απενεργοποιηθεί, προτού το συνδέσετε στην τροφοδοσία ρεύματος και/ή το συσσωρευτή, το σηκώσετε ή το μεταφέρετε. Όταν μεταφέρετε το ηλεκτρικό εργαλείο και έχετε το δάχτυλο στο διακόπτη ή εάν έχετε συνδέσει την ήδη ενεργοποιημένη συσκευή στην παροχή ρεύματος, αυτό μπορεί να οδηγήσει σε ατυχήματα.
- δ) Απομακρύνετε εργαλεία ρύθμισης ή μηχανικά κλειδιά πριν ενεργοποιήσετε το ηλεκτρικό εργαλείο. Ένα εργαλείο ή κλειδί, το οποίο βρίσκεται σε ένα περιστρεφόμενο τμήμα της συσκευής, μπορεί να οδηγήσει σε τραυματισμούς.
- ε) Αποφεύγετε λάθος στάση του σώματος. Φροντίστε για ασφαλή στάση και διατηρείτε πάντα την ισορροπία. Έτσι μπορείτε να ελέγχετε το ηλεκτρικό εργαλείο καλύτερα σε μη αναμενόμενες καταστάσεις.
- στ) Φοράτε κατάλληλο ρουχισμό. Μη φοράτε μακριά ρούχα ή κοσμήματα. Κρατάτε τα μαλλιά, τα ρούχα και τα γάντια μακριά από κινούμενα τμήματα. Τα χαλαρά ρούχα, τα κοσμήματα ή τα μακριά μαλλιά μπορούν να πιαστούν από κινούμενα τμήματα.

ζ) Εάν μπορούν να συναρμολογηθούν διατάξεις απορρόφησης και συλλογής σκόνης, βεβαιώστε ότι αυτές έχουν συνδεθεί και χρησιμοποιούνται σωστά. Η χρήση μιας διάταξης απορρόφησης σκόνης μπορεί να μειώσει τους κινδύνους από τη σκόνη.

4. Χρήση και χειρισμός του ηλεκτρικού εργαλείου

α) Μην υπερφορτώνετε τη συσκευή. Χρησιμοποιείτε για την εργασία σας το αντίστοιχο ηλεκτρικό εργαλείο. Με το κατάλληλο ηλεκτρικό εργαλείο εργάζεστε καλύτερα και ασφαλέστερα στο δοθέν πεδίο απόδοσης.

β) Μη χρησιμοποιείτε ηλεκτρικά εργαλεία, των οποίων ο διακόπτης είναι ελαττωματικός. Ένα ηλεκτρικό εργαλείο, το οποίο δεν μπορεί πλέον να ενεργοποιηθεί ή απενεργοποιηθεί, είναι επικίνδυνο και πρέπει να επισκευαστεί.

γ) Τραβάτε το βύσμα από την πρίζα και/ή απομακρύνετε το συσσωρευτή πριν διεξάγετε ρυθμίσεις στη συσκευή, πριν αλλάξετε εξαρτήματα ή πριν φυλάξετε τη συσκευή. Αυτό το μέτρο ασφαλείας εμποδίζει τη μη ηθελημένη εκκίνηση του ηλεκτρικού εργαλείου.

δ) Φυλάτε τα μη χρησιμοποιούμενα ηλεκτρικά εργαλεία εκτός εμβέλειας των παιδιών. Μην επιτρέπετε να χρησιμοποιούν τη συσκευή άτομα, τα οποία δεν έχουν εξοικειωθεί μαζί της ή δεν έχουν διαβάσει αυτές τις οδηγίες. Τα ηλεκτρικά εργαλεία είναι επικίνδυνα όταν χρησιμοποιούνται από άπειρα άτομα.

ε) Φροντίζετε τα ηλεκτρικά εργαλεία με προσοχή. Ελέγχετε εάν τα κινούμενα τμήματα λειτουργούν σωστά και δεν κολλάνε, εάν κάποια μέρη έχουν σπάσει ή παρουσιάζουν τέτοια βλάβη, ώστε να επηρεάζεται η λειτουργία του ηλεκτρικού εργαλείου. Τα εξαρτήματα με βλάβη πρέπει να επισκευάζονται πριν από τη χρήση της συσκευής. Η αιτία πολλών ατυχημάτων οφείλεται στην κακή συντήρηση των ηλεκτρικών εργαλείων.

στ) Διατηρείτε τα εργαλεία κοπής αιχμηρά και καθαρά. Τα προσεκτικά φροντισμένα εργαλεία κοπής με αιχμηρές ακμές κοπής κολλάνε λιγότερο και είναι ευκολότερα στο χειρισμό.

ζ) Χρησιμοποιείτε το ηλεκτρικό εργαλείο, τα εξαρτήματα, τα εργαλεία χρήσης, κλπ., σύμφωνα με αυτές τις οδηγίες. Λαμβάνετε υπόψη τις συνθήκες εργασίας και την προς διεξαγωγή ενέργεια. Η χρήση ηλεκτρικών εργαλείων για διαφορετικές από τις προβλεπόμενες χρήσεις μπορεί να οδηγήσει σε επικίνδυνες καταστάσεις.

5. Χρήση και χειρισμός του επαναφορτιζόμενου εργαλείου

α) Φορτίζετε τους συσσωρευτές μόνο με φορτιστές που προτείνει ο κατασκευαστής. Για φορτιστές κατάλληλους για έναν καθορισμένο τύπο συσσωρευτών υπάρχει κίνδυνος πυρκαγιάς όταν χρησιμοποιούνται με άλλους συσσωρευτές.

β) Χρησιμοποιείτε μόνο τους προβλεπόμενους συσσωρευτές στα ηλεκτρικά εργαλεία. Η χρήση άλλων συσσωρευτών μπορεί να οδηγήσει σε τραυματισμούς και πυρκαγιά.

γ) Κρατάτε το μη χρησιμοποιούμενο συσσωρευτή μακριά από συνδετήρες, νομίσματα, κλειδιά, καρφιά, βίδες ή άλλα μικρά μεταλλικά αντικείμενα, τα οποία μπορούν να προκαλέσουν υπεργεφύρωση των επαφών. Ένα βραχυκύκλωμα μεταξύ των επαφών του συσσωρευτή μπορεί να έχει ως επακόλουθο εγκαύματα ή πυρκαγιά.

δ) Σε περίπτωση εσφαλμένης χρήσης, μπορεί να εξέλθει υγρό από το συσσωρευτή. Αποφεύγετε την επαφή με το υγρό. Σε περίπτωση τυχαίας επαφής, ξεπλύνετε με νερό. Εάν το υγρό έλθει σε επαφή με τα μάτια, ζητήστε επιπλέον ιατρική βοήθεια. Το εκρέον υγρό των συσσωρευτών μπορεί να προκαλέσει δερματικούς ερεθισμούς ή εγκαύματα.



ΠΡΟΣΟΧΗ! ΚΙΝΔΥΝΟΣ ΕΚΡΗΞΗΣ!

Μη φορτίζετε ποτέ μη επαναφορτιζόμενες μπαταρίες.



Προστατεύετε το συσσωρευτή από υψηλή θερμοκρασία, π.χ. και από συνεχή ηλιακή ακτινοβολία, φωτιά, νερό και υγρασία. Υπάρχει κίνδυνος έκρηξης.



6. Σέρβις

- α) Το ηλεκτρικό σας εργαλείο πρέπει να επισκευάζεται μόνο από εξειδικευμένο ειδικό προσωπικό και μόνο με γνήσια ανταλλακτικά. Έτσι, διατηρείται η ασφάλεια του ηλεκτρικού εργαλείου.

Συγκεκριμένες υποδείξεις ασφαλείας για σέγες

- Πιάνετε το ηλεκτρικό εργαλείο από τις μονωμένες επιφάνειες των λαβών, όταν διεξάγετε εργασίες, κατά τις οποίες το ηλεκτρικό εργαλείο μπορεί να συναντήσει κρυμμένους αγωγούς ρεύματος. Η επαφή με ένα ρευματοφόρο αγωγό θέτει υπό τάση ακόμη και μεταλλικά τμήματα της συσκευής, προκαλώντας ηλεκτροπληξία.

Υποδείξεις ασφαλείας για φορτιστές

- Αυτή η συσκευή επιτρέπεται να χρησιμοποιείται από παιδιά άνω των 8 ετών, καθώς και από άτομα με περιορισμένες φυσικές, αισθητηριακές ή νοητικές ικανότητες ή ελλείψεις από άποψη εμπειρίας και γνώσεων, εφόσον επιτηρούνται ή έχουν ενημερωθεί αναφορικά με την ασφαλή χρήση της συσκευής και κατανοούν τους προκύπτοντες κινδύνους. Τα παιδιά δεν επιτρέπεται να παίζουν με τη συσκευή. Ο καθαρισμός και η συντήρηση χρήσης δεν επιτρέπεται να διεξάγονται από παιδιά, χωρίς επιτήρηση.

- Εάν το καλώδιο σύνδεσης αυτής της συσκευής παρουσιάσει βλάβη, πρέπει να αντικατασταθεί από τον κατασκευαστή ή το τμήμα εξυπηρέτησης πελατών ή ένα αντιστοίχως εξειδικευμένο άτομο, ώστε να αποφεύγονται κίνδυνοι.



Ο φορτιστής είναι κατάλληλος για λειτουργία μόνο σε εσωτερικούς χώρους.

⚠ ΠΡΟΕΙΔΟΠΟΙΗΣΗ!

- Εάν απαιτείται αντικατάσταση του καλωδίου σύνδεσης, η εργασία αυτή πρέπει να διεξάγεται από τον κατασκευαστή ή τον αντιπρόσωπό του, προς αποφυγή κινδύνων για την ασφάλεια.

Γνήσια εξαρτήματα/πρόσθετες συσκευές

- Χρησιμοποιείτε μόνο εξαρτήματα και συμπληρωματικές συσκευές που αναφέρονται στις οδηγίες χρήσης ή που οι υποδοχές τους είναι συμβατές με τη συσκευή.

Πληροφορίες σχετικά με τις λεπίδες

Ο βασικός εξοπλισμός της σέγας Parkside περιλαμβάνει ήδη λεπίδες για βασικές εφαρμογές σε ξύλο και μέταλλο.

- 2 λεπίδες για γενικές κοπές ξύλου
- 1 λεπίδα για ελαφρά μέταλλα έως 5 mm

ΥΠΟΔΕΙΞΗ

- Μπορείτε να χρησιμοποιήσετε κάθε άλλη λεπίδα, υπό την προϋπόθεση ότι διαθέτει την κατάλληλη υποδοχή (μονός εκκεντροφόρος άξονας).

Τύπος λεπίδας

κατάλληλος	ακατάλληλος

Πριν από τη θέση σε λειτουργία

Φόρτιση συστοιχίας συσσωρευτών (βλ. Εικ. Α)

⚠ ΠΡΟΣΟΧΗ!

- ▶ Τραβήστε πάντα το βύσμα, πριν πάρετε τη συστοιχία συσσωρευτών από το φορτιστή ή πριν την τοποθετήσετε.

ΥΠΟΔΕΙΞΗ

- ▶ Ποτέ μη φορτίζετε τη συστοιχία συσσωρευτών όταν η θερμοκρασία περιβάλλοντος βρίσκεται κάτω των 10 °C ή άνω των 40 °C. Εάν ένας συσσωρευτής λιθίου-ιόντων πρέπει να αποθηκευτεί για μεγάλο χρονικό διάστημα, πρέπει να ελέγχεται τακτικά η κατάσταση φόρτισης. Η ενδεδειγμένη κατάσταση φόρτισης κυμαίνεται μεταξύ 50% και 80%. Το κλίμα αποθήκευσης πρέπει να είναι δροσερό και ξηρό με μια θερμοκρασία περιβάλλοντος μεταξύ 0 °C και 50 °C.
- ◆ Τοποθετήστε τη συστοιχία συσσωρευτών **5** στον ταχυφορτιστή **24** (βλ. Εικ. Α).
- ◆ Βάλτε το βύσμα στην πρίζα. Το LED ελέγχου **25** ανάβει κόκκινο.
- ◆ Το πράσινο LED ελέγχου **26** σηματοδοτεί ότι η διαδικασία φόρτισης έχει ολοκληρωθεί και η συστοιχία συσσωρευτών **5** είναι έτοιμη για χρήση.

⚠ ΠΡΟΣΟΧΗ!

- ◆ Εάν αναβοσβήνει η κόκκινη λυχνία LED ελέγχου **25**, έχει υπερθερμανθεί η συστοιχία συσσωρευτών **5** και δεν είναι δυνατή η φόρτισή της.
- ◆ Εάν αναβοσβήνει η κόκκινη και η πράσινη λυχνία LED ελέγχου **25** **26**, έχει υποστεί βλάβη η συστοιχία συσσωρευτών **5**.
- ◆ Ωθήστε τη συστοιχία συσσωρευτών **5** μέσα στη συσκευή.
- Μην φορτίζετε ποτέ για δεύτερη φορά μια συστοιχία συσσωρευτών αμέσως μετά την ταχεία διαδικασία φόρτισης. Παρατηρείται κίνδυνος υπερθέρμανσης της συστοιχίας συσσωρευτών και, συνεπώς, μείωσης του κύκλου ζωής του συσσωρευτή.

- ◆ Ανάμεσα σε διαδοχικές διαδικασίες φόρτισης απενεργοποιείτε το φορτιστή για τουλάχιστον 15 λεπτά.

Για το σκοπό αυτό, αποσυνδέετε το βύσμα.

Τοποθέτηση/Απομάκρυνση συστοιχίας συσσωρευτών στη/από τη συσκευή

Τοποθέτηση της συστοιχίας συσσωρευτών:

- ◆ Η συστοιχία συσσωρευτών **5** πρέπει να κουμπώσει στη συσκευή.

Απομάκρυνση της συστοιχίας συσσωρευτών:

- ◆ Πιέστε το πλήκτρο απασφάλισης **4** και αφαιρέστε τη συστοιχία συσσωρευτών.

Έλεγχος κατάστασης συσσωρευτών

- ◆ Για τον έλεγχο της κατάστασης φόρτισης των συσσωρευτών, πιέστε το πλήκτρο κατάστασης συσσωρευτών **22** (βλ. επίσης κύρια εικόνα). Η κατάσταση προβάλλεται στο LED ένδειξης συσσωρευτή **23** ως εξής:
- ◆ ΚΟΚΚΙΝΟ/ΠΟΡΤΟΚΑΛΙ/ΠΡΑΣΙΝΟ = μέγιστη φόρτιση/
ΚΟΚΚΙΝΟ/ΠΟΡΤΟΚΑΛΙ = μέτρια φόρτιση
ΚΟΚΚΙΝΟ = αδύναμη φόρτιση - φορτίστε το συσσωρευτή

Θέση σε λειτουργία

Τοποθέτηση/Αλλαγή λεπίδας

Πριν από όλες τις εργασίες στο ηλεκτρικό εργαλείο (π.χ. συντήρηση, αλλαγή εξαρτήματος, κλπ.), καθώς και κατά τη μεταφορά και φύλαξη, απομακρύνετε το συσσωρευτή από το ηλεκτρικό εργαλείο. Σε μη ηθελημένη ενεργοποίηση του διακόπτη ON/OFF υπάρχει κίνδυνος τραυματισμού.

- ◆ Πιέστε μέσα το προστατευτικό κάλυμμα **18** στο ύψος των εξωτερικών σπηριγμάτων και απομακρύνετε το, τραβώντας το προς τα εμπρός.
- ◆ Περιστρέψτε το δίσκο ταχείας σύσφιξης **17** και κρατήστε τον έτσι.
- ◆ Πιέστε τέρμα την απαιτούμενη λεπίδα μέσα στο δίσκο ταχείας σύσφιξης **17**.
- ◆ Αφήστε ελεύθερο το δίσκο ταχείας σύσφιξης **17**. Θα πρέπει να επιστρέφει στην αρχική θέση του. Η λεπίδα είναι πλέον ασφαλισμένη.

- ΠΡΟΣΟΧΗ! Οι οδοντώσεις της λεπίδας πρέπει να δείχνουν προς τα εμπρός (Βλ. αναδιπλούμενη σελίδα)!

Συναρμολόγηση του προστατευτικού καλύμματος

Συναρμολογήστε το προστατευτικό κάλυμμα **18**, προτού συνδέσετε τη συσκευή σε μια διάταξη απορρόφησης σκόνης.

- ◆ Τοποθετήστε το προστατευτικό κάλυμμα **18** κατά τέτοιο τρόπο επάνω στη συσκευή, ώστε τα δύο εξωτερικά στηρίγματα να κουμπώνουν στις εσοχές του περιβλήματος.
- ◆ Απομακρύνετε το προστατευτικό κάλυμμα **18** για εργασίες χωρίς απορρόφηση σκόνης, καθώς και για κοπή υπό γωνία. Για το σκοπό αυτό, πιέστε μέσα το προστατευτικό κάλυμμα **18** στο ύψος των εξωτερικών στηριγμάτων και απομακρύνετε το, τραβώντας το προς τα εμπρός.


Τοποθέτηση παράλληλου αναστολέα

Ο παράλληλος αναστολέας **11** μπορεί να στερεωθεί αριστερά ή δεξιά της συσκευής.

- ◆ Λύστε τις δύο βίδες ρύθμισης των στομιών εισαγωγής **15**.
- ◆ Σπρώξτε τον παράλληλο αναστολέα **11** μέσα στα στόμια εισαγωγής **15**.
- ◆ Βιδώστε πάλι καλά τις δύο βίδες ρύθμισης.

Σύνδεση διάταξης απορρόφησης ρινιδιών

- ◆ Περάστε το στόμιο αναρρόφησης **6** στο κανάλι αναρρόφησης, έως ότου ακινητοποιηθεί. Κατ' επιλογή, ανάλογα με τη διάμετρο της απορρόφησης σκόνης και ροκανιδιών.
- ◆ Συνδέστε μια εγκεκριμένη διάταξη απορρόφησης σκόνης και ροκανιδιών στο στόμιο αναρρόφησης **6**.

-  Φοράτε μάσκα προστασίας από τη σκόνη.

Υποστήριξη λειτουργίας απορρόφησης:

- ◆ Σύρετε το διακόπτη διάταξης εκφύσησης ρινιδιών **7** στη θέση «Ο».

Λειτουργία εκφύσησης ρινιδιών

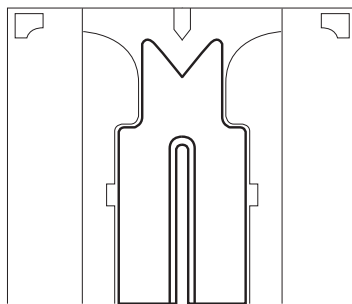
Ενεργοποίηση λειτουργίας εκφύσησης ρινιδιών:

- ◆ Σύρετε το διακόπτη διάταξης εκφύσησης ρινιδιών **7** στη θέση  ←.

Τοποθέτηση προστασίας ροκανιδιών

Η προστασία ροκανιδιών **14** μπορεί να εμποδίσει σκίσιμο της επιφάνειας κατά το πριόνισμα του ξύλου. Η προστασία ροκανιδιών **14** μπορεί να χρησιμοποιείται μόνο σε συγκεκριμένους τύπους λεπίδων πριονιού, χωρίς πέδιλο ολίσθησης **9** και μόνο σε μια γωνία κοπής 0°.

- ◆ Πιέστε την προστασία ροκανιδιών **14** από κάτω στη βάση **8** (εγκοπή προς τα επάνω).



Τοποθέτηση πέδilu ολίσθησης

Κατά την επεξεργασία ευαίσθητων επιφανειών, μπορείτε να τοποθετήσετε το πέδιλο ολίσθησης **9** επάνω στη βάση **8**, ώστε να εμποδίσετε γδάρισμα της επιφάνειας.

- ◆ Αναρτήστε το πέδιλο ολίσθησης **9** μπροστά στη βάση **8** και πιέστε το πίσω ψηλά, έως ότου κουμπώσει στη βάση **8**.
- ◆ Για την απομάκρυνση του πέδilu ολίσθησης **9**, λασκάρετέ το στο πίσω μέρος της βάσης **8** και αφαιρέστε το προς τα εμπρός.

Χειρισμός

Ρύθμιση γωνίας κοπής

- ◆ Λύστε τις βίδες σύσφιξης **20** με το απεσταλμένο εξαγωνικό κλειδί και τραβήξτε τη βάση **8** προς τα πίσω.
- ◆ Ρυθμίστε τη γωνία κοπής 0° / 15° / 30° / 45° με τη βοήθεια των σημάτων στη βάση **8**. Σπρώξτε τη βάση **8** προς τα εμπρός, ώστε ο πείρος ασφάλισης να ασφαλίσει στην οδόντωση **21**.
- ◆ Σφίξτε τις βίδες σύσφιξης **20** με το εξαγωνικό κλειδί.

ΥΠΟΔΕΙΞΗ

- ▶ Σε γωνία κοπής 15°/30°/45°, πρέπει προηγουμένως να έχει αφαιρεθεί το προστατευτικό κάλυμμα **18** και η προστασία ροκανιδιών **14**.

Ρύθμιση αριθμού εμβολισμών

Ο διακόπτης ON/OFF **2** διαθέτει μια μεταβλητή ρύθμιση ταχύτητας. Ελαφριά πίεση στο διακόπτη ON/OFF **2** επιφέρει ένα χαμηλό αριθμό στροφών. Με αυξανόμενη πίεση, αυξάνεται ο αριθμός στροφών.

ΥΠΟΔΕΙΞΗ

- ▶ Το ενσωματωμένο φρένο κινητήρα φροντίζει για τη γρήγορη ακινητοποίηση.

Ρύθμιση εμβολισμού ταλάντωσης

- ◆ Με το διακόπτη εμβολισμού ταλάντωσης **10** μπορείτε να ρυθμίσετε την ταλαντούμενη κίνηση της λεπίδας **13**. Χωρίς ταλαντούμενη κίνηση (Θέση «0») οι ακμές κοπής είναι λεπτές και καθαρές. Στα λεπτά τεμάχια επεξεργασίας απενεργοποιείτε τον εμβολισμό ταλάντωσης. Όταν ο εμβολισμός ταλάντωσης είναι ενεργοποιημένος (Θέση 1-3) επιτυγχάνετε ολοένα γρηγορότερη πρόοδο εργασιών.

Ενεργοποίηση / Απενεργοποίηση

Ενεργοποίηση συσκευής:

- ◆ Πιέστε και κρατήστε τη φραγή ενεργοποίησης **1** προς τα αριστερά ή δεξιά.

- ◆ Πιέστε το διακόπτη ON/OFF **2**. Αφού εκκινήσει το μηχάνημα, μπορείτε να αφήσετε πάλι ελεύθερη τη φραγή ενεργοποίησης **1**. Η λυχνία εργασίας **19** φωτίζει με ελαφρώς ή πλήρως πιεσμένο διακόπτη ON/OFF **2**. Διευκολύνει το φωτισμό του τομέα εργασίας σε δυσμενείς συνθήκες φωτισμού.

Απενεργοποίηση συσκευής:

Αφήστε ελεύθερο το διακόπτη ON/OFF **2**.

Συντήρηση και καθαρισμός



ΠΡΟΕΙΔΟΠΟΙΗΣΗ ΚΙΝΔΥΝΟΣ ΤΡΑΥΜΑΤΙΣΜΟΥ! Πριν από όλες τις εργασίες στη συσκευή, απενεργοποιείτε τη και απομακρύνετε το συσσωρευτή.

- Η συσκευή πρέπει να είναι πάντα καθαρή, στεγνή και ελεύθερη από λάδια ή λίπος.
- Για τον καθαρισμό του περιβλήματος χρησιμοποιείτε ένα στεγνό πανί.
- Εάν ένας συσσωρευτής λιθίου-ιόντων πρέπει να αποθηκευτεί για μεγάλο χρονικό διάστημα, πρέπει να ελέγχεται τακτικά η κατάσταση φόρτισης. Η ενδεδειγμένη κατάσταση φόρτισης κυμαίνεται μεταξύ 50% και 80%. Το ενδεδειγμένο κλίμα αποθήκευσης είναι σε δροσερό και στεγνό χώρο.
- Ο καθαρισμός της συσκευής πρέπει να διεξάγεται μετά το τέλος της εργασίας πριονίσματος.
- Απομακρύνετε ακαθαρσίες (π.χ. από πριονίδια). Καθαρίζετε, εάν χρειάζεται, την υποδοχή των λεπίδων με ένα πινέλο ή με πεπιεσμένο αέρα.

Εγγύηση της **Kompernass Handels GmbH**

Αξιότιμη πελάτισσα, αξιότιμε πελάτη,

Η παρούσα συσκευή διαθέτει 3 χρόνια εγγύηση από την ημερομηνία αγοράς. Στην περίπτωση ελλείψεων στο προϊόν έχετε νομικά δικαιώματα έναντι του πωλητή του προϊόντος. Αυτά τα νομικά δικαιώματα δεν περιορίζονται μέσω της κατωτέρω αναφερόμενης εγγύησης.

Προϋποθέσεις εγγύησης

Η περίοδος εγγύησης ξεκινάει κατά την ημερομηνία αγοράς. Φυλάξτε καλά την πρωτότυπη απόδειξη ταμείου. Αυτό το έγγραφο απαιτείται ως απόδειξη για την αγορά.

Εάν, εντός τριών ετών από την ημερομηνία αγοράς, προκύψει στο προϊόν αυτό σφάλμα υλικού ή κατασκευής, κατόπιν κρίσης μας, επισκευάζουμε ή αντικαθιστούμε το προϊόν για εσάς δωρεάν.

Η παρούσα εγγύηση προϋποθέτει ότι εντός της περιόδου τριών ετών η ελαττωματική συσκευή και η απόδειξη αγοράς (απόδειξη ταμείου) θα υποβληθούν μαζί με σύντομη περιγραφή σχετικά με το που βρίσκεται η έλλειψη και τότε προέκυψε.

Εάν το ελάττωμα καλύπτεται από την εγγύησή μας, θα λάβετε το επισκευασμένο ή ένα νέο προϊόν.

Περίοδος εγγύησης και νομικές απαιτήσεις λόγω ελλείψεων

Ο χρόνος εγγύησης δεν παρατείνεται μέσω της παροχής εγγύησης. Αυτό ισχύει και για εξαρτήματα, τα οποία έχουν αντικατασταθεί και επισκευαστεί.

Ενδεχόμενες ήδη υπάρχουσες ζημιές και ελλείψεις κατά την αγορά πρέπει να γνωστοποιούνται αμέσως μετά την αποσυσκευασία. Μετά τη λήξη του χρόνου εγγύησης, τυχόν εμφανιζόμενες επισκευές χρεώνονται.

Εύρος εγγύησης

Η συσκευή κατασκευάστηκε σύμφωνα με αυστηρές οδηγίες ποιότητας και ελέγχθηκε προσεκτικά πριν από την αποστολή.

Η απόδοση εγγύησης ισχύει για σφάλματα υλικού ή κατασκευής. Η παρούσα εγγύηση δεν εκτείνεται σε τμήματα του προϊόντος, τα οποία εκτίθενται σε φυσιολογική φθορά και έτσι μπορεί να θεωρούνται εξαρτήματα φθοράς ή για ζημιές σε εύθραυστα εξαρτήματα, π.χ. διακόπτες, συσσωρευτές, ταψιά ή εξαρτήματα που είναι κατασκευασμένα από γυαλί.

Η παρούσα εγγύηση ακυρώνεται εάν προκληθεί ζημιά στο προϊόν, εάν δεν γίνεται σωστή χρήση ή συντήρηση. Για μια σωστή χρήση του προϊόντος πρέπει να τηρούνται επακριβώς οι αναφερόμενες υποδείξεις στις οδηγίες χειρισμού. Σκοποί χρήσης και χειρισμοί που δεν συνιστώνται ή για τους οποίους υπάρχει προειδοποίηση πρέπει απαραίτητα να αποφεύγονται.

Το προϊόν προορίζεται μόνο για ιδιωτική και όχι για επαγγελματική χρήση. Σε περίπτωση κακής μεταχείρισης και ακατάλληλης χρήσης, χρήσης βίας και παρεμβάσεων, οι οποίες δεν διεξήχθησαν από το εξουσιοδοτημένο μας τμήμα σέρβις, η εγγύηση παύει να ισχύει.

Διαδικασία σε περίπτωση εγγύησης

Για την εξασφάλιση γρήγορης επεξεργασίας του ζητήματός σας, τηρείτε τις ακόλουθες υποδείξεις:

- Για όλες τις ερωτήσεις έχετε έτοιμη την απόδειξη αγοράς και τον κωδικό προϊόντος (π.χ. IAN 12345) ως απόδειξη για την αγορά.
- Μπορείτε να βρείτε τον κωδικό προϊόντος στην πινακίδα τύπου, χαραγμένο, στην πρώτη σελίδα των οδηγιών σας (κάτω αριστερά) ή σε αυτοκόλλητο στην πίσω ή κάτω πλευρά.
- Εάν προκύψουν σφάλματα λειτουργίας ή άλλες ελλείψεις, επικοινωνήστε κατ' αρχήν με το ακόλουθο αναφερόμενο τμήμα σέρβις **τηλεφωνικά ή με E-Mail**.
- Ένα προϊόν που θεωρείται ελαττωματικό μπορείτε να το αποστείλετε ατελώς στην αναφερόμενη διεύθυνση του σέρβις επισυνάπτοντας την απόδειξη αγοράς (απόδειξη ταμείου) και αναφέροντας που βρίσκεται η έλλειψη και τότε εμφανίστηκε.



Στην ιστοσελίδα www.lidl-service.com μπορείτε να κατεβάσετε το παρόν και πολλά άλλα εγχειρίδια, βίντεο προϊόντων και λογισμικό.

Σέρβις

⚠ ΠΡΟΕΙΔΟΠΟΙΗΣΗ!

- ▶ Η επισκευή των συσκευών σας πρέπει να γίνεται από την υπηρεσία σέρβις ή εξειδικευμένο ηλεκτρολογικό προσωπικό και μόνο με γνήσια εξαρτήματα. Έτσι διατηρείται η ασφάλεια της συσκευής.
- ▶ Η αλλαγή του βύσματος ή του καλωδίου δικτύου πρέπει να διεξάγεται πάντα από τον κατασκευαστή της συσκευής ή από το τμήμα εξυπηρέτησης πελατών του. Έτσι διατηρείται η ασφάλεια της συσκευής.

GR Σέρβις Ελλάδα
Tel.: 801 5000 019 (0,03 EUR/Min.)
E-Mail: kompnass@lidl.gr

CY Σέρβις Κύπρος
Tel.: 8009 4409
E-Mail: kompnass@lidl.com.cy

IAN 279504

Εισαγωγέας

Η ακόλουθη διεύθυνση δεν είναι διεύθυνση σέρβις. Επικοινωνήστε, κατ' αρχήν, με την αναφερόμενη υπηρεσία σέρβις.

KOMPERNASS HANDELS GMBH
BURGSTRASSE 21
44867 BOCHUM
GERMANY
www.kompnass.com

Απόρριψη



Η συσκευασία αποτελείται από φιλικά προς το περιβάλλον υλικά, τα οποία μπορείτε να απορρίψετε μέσω των τοπικών υπηρεσιών ανακύκλωσης.



Μην πετάτε τα ηλεκτρικά εργαλεία στα οικιακά απορρίμματα!

Σύμφωνα με την Ευρωπαϊκή Οδηγία 2012/19/EU, τα χρησιμοποιημένα ηλεκτρικά εργαλεία πρέπει να συλλέγονται χωριστά και να οδηγούνται σε μια φιλική για το περιβάλλον επαναχρησιμοποίηση.



Μην απορρίπτετε τους συσσωρευτές στα οικιακά απορρίμματα!

Οι ελαττωματικοί ή χρησιμοποιημένοι συσσωρευτές πρέπει να ανακυκλώνονται σύμφωνα με την Οδηγία 2006/66/EC. Επιστρέψτε τη συστοιχία συσσωρευτών και/ή τη συσκευή μέσω των προσφερόμενων εγκαταστάσεων συλλογής. Θα ενημερωθείτε για τις δυνατότητες απόρριψης των χρησιμοποιημένων ηλεκτρικών εργαλείων/της συστοιχίας συσσωρευτών από τη διαχείριση της κοινότητας ή της πόλης σας.

Μετάφραση της Πρωτότυπης Δήλωση συμμόρφωσης

Εμείς, η KOMPERNASS HANDELS GMBH, Υπεύθυνος τεκμηριώσεων: Κύριος Semi Uguzlu, BURGSTR. 21, 44867 BOCHUM, ΓΕΡΜΑΝΙΑ, δηλώνουμε δια της παρούσης ότι το παρόν προϊόν συμφώνει με τα ακόλουθα πρότυπα, τα κανονιστικά έγγραφα και τις οδηγίες της EK:

Οδηγία περί μηχανών
(2006 / 42 / EG)

Οδηγία περί χαμηλής τάσης EK
(2014 / 35 / EU)

Ηλεκτρομαγνητική συμβατότητα
(2014 / 30 / EU)

Οδηγία RoHS (Σχετικά με τον περιορισμό χρήσης συγκεκριμένων επικίνδυνων ουσιών στον ηλεκτρικό και ηλεκτρονικό εξοπλισμό)
(2011 / 65 / EU)*

*Ο κατασκευαστής φέρει αποκλειστική ευθύνη για τη σύνταξη αυτής της Δήλωσης συμμόρφωσης. Το ανωτέρω περιγραφόμενο αντικείμενο της Δήλωσης πληροί τις προδιαγραφές της Οδηγίας 2011/65/EU του Ευρωπαϊκού Κοινοβουλίου και του Συμβουλίου της 8ης Ιουνίου 2011 σχετικά με τον περιορισμό της χρήσης συγκεκριμένων επικίνδυνων υλικών σε ηλεκτρικές και ηλεκτρονικές συσκευές.

Εφαρμοσμένα εναρμονισμένα πρότυπα:

EN 60745-1: 2009 / A1 1: 2010

EN 60745-2-11: 2010

EN 62233: 2008

EN 55014-1: 2006 / A2: 2011

EN 55014-2: 2015

EN 60335-1: 2012 / A1 1: 2014

EN 60335-2-29: 2004 / A2:2010

EN 61000-3-2: 2014

EN 61000-3-3: 2013

Ονομασία τύπου του μηχανήματος:

Επαναφορτιζόμενη σέγα ταλάντωσης PSTDA 20-Li A1

Έτος κατασκευής: 10-2016

Αύξων αριθμός: IAN 279504

Bochum, 30.09.2016



Semi Uguzlu

- Διευθυντής ποιότητας -

Με την επιφύλαξη τεχνικών αλλαγών υπό την έννοια της συνεχούς ανάπτυξης.

Παραγγελία εφεδρικού συσσωρευτή

Εάν θέλετε να παραγγείλετε έναν εφεδρικό συσσωρευτή για τη συσκευή σας, μπορείτε να το κάνετε άνετα μέσω διαδικτύου στην ηλεκτρονική διεύθυνση www.kompernass.com ή και τηλεφωνικά.

Η τιμή του εφεδρικού συσσωρευτή ανέρχεται σε 20 € συν ΦΠΑ και αποστολή. Αυτό το είδος ενδέχεται, λόγω περιορισμένης ποσότητας αποθεμάτων, να έχει εξαντληθεί μετά από σύντομο χρονικό διάστημα.



Ηλεκτρονική παραγγελία

Για να παραγγείλετε έναν εφεδρικό συσσωρευτή από το κατάστημα αξεσουάρ:

- Εμφανίστε με το πρόγραμμα περιήγησης την ιστοσελίδα www.kompernass.com.
- Κάντε κλικ δεξιά κάτω στην αντίστοιχη σημαία, για να επιλέξετε την επιθυμητή χώρα και γλώσσα.
- Κάντε τώρα κλικ στην καρτέλα «Κατάστημα αξεσουάρ» και επιλέξτε στη συνέχεια στην κατηγορία «Προϊόντα με τις περισσότερες πωλήσεις» τον αντίστοιχο εφεδρικό συσσωρευτή για τη συσκευή σας.
- Αφού τοποθετήσετε τον εφεδρικό συσσωρευτή στο καλάθι αγορών, κάντε κλικ στο πλήκτρο «Ταμείο» και ακολουθήστε τις εμφανιζόμενες στην οθόνη οδηγίες, για να ολοκληρώσετε τη διαδικασία παραγγελίας.

ΥΠΟΔΕΙΞΗ

- ▶ Η παραγγελία ανταλλακτικών δεν μπορεί να διεξαχθεί ηλεκτρονικά σε ορισμένες χώρες. Σε αυτή την περίπτωση επικοινωνήστε με την ανοιχτή τηλεφωνική γραμμή του σέρβις.
- Η ενέργεια περιορίζεται σε ένα συσσωρευτή ανά πελάτη/συσκευή, καθώς και σε χρονικό διάστημα δύο μηνών μετά τη χρονική περίοδο ενέργειας. Κατόπιν, ο εφεδρικός συσσωρευτής μπορεί να παραγγελθεί ως ανταλλακτικό με άλλους όρους.

Τηλεφωνική παραγγελία

- GR** Σέρβις Ελλάδα
 Tel.: 801 5000 019 (0,03 EUR/Min.)
 E-Mail: kompernass@lidl.gr
- CY** Σέρβις Κύπρος
 Tel.: 8009 4409
 E-Mail: kompernass@lidl.com.cy

Για να εξασφαλίσουμε τη γρήγορη επεξεργασία της παραγγελίας σας, να έχετε για όλες τις ερωτήσεις σε ετοιμότητα τον κωδικό προϊόντος (π.χ. IAN 279504) της συσκευής. Μπορείτε να βρείτε τον κωδικό προϊόντος στην πινακίδα τύπου ή στην πρώτη σελίδα αυτών των οδηγιών.

Inhaltsverzeichnis

Einleitung	28
Bestimmungsgemäßer Gebrauch	28
Ausstattung	28
Lieferumfang	28
Technische Daten	28
Allgemeine Sicherheitshinweise für Elektrowerkzeuge	29
1. Arbeitsplatz-Sicherheit	29
2. Elektrische Sicherheit	29
3. Sicherheit von Personen	30
4. Verwendung und Behandlung des Elektrowerkzeugs	30
5. Verwendung und Behandlung des Akkuwerkzeugs	31
6. Service	31
Gerätespezifische Sicherheitshinweise für Stichsägen	31
Sicherheitshinweise für Ladegeräte	31
Originalzubehör / -zusatzgeräte	32
Informationen zu Sägeblättern	32
Vor der Inbetriebnahme	32
Akku-Pack laden (siehe Abb. A)	32
Akku-Pack ins Gerät einsetzen / entnehmen	33
Akkuzustand prüfen	33
Inbetriebnahme	33
Sägeblatt montieren / wechseln	33
Schutzhaube montieren	33
Parallelanschlag montieren	33
Spanabsaugung anschließen	33
Spanblasfunktion	33
Spanreißschutz montieren	34
Gleitschuh montieren	34
Bedienung	34
Schnittwinkel einstellen	34
Hubzahl einstellen	34
Pendelhub einstellen	34
Einschalten / Ausschalten	34
Wartung und Reinigung	35
Garantie der Kompersnaß Handels GmbH	35
Service	36
Importeur	36
Entsorgung	37
Original-Konformitätserklärung	37
Ersatz-Akku Bestellung	38
Online-Bestellung	38
Telefonische Bestellung	38

AKKU-PENDELHUBSTICHSÄGE PSTDA 20-Li A1

Einleitung

Wir beglückwünschen Sie zum Kauf Ihres neuen Gerätes. Sie haben sich damit für ein hochwertiges Produkt entschieden. Die Bedienungsanleitung ist Teil dieses Produkts. Sie enthält wichtige Hinweise für Sicherheit, Gebrauch und Entsorgung. Machen Sie sich vor der Benutzung des Produkts mit allen Bedien- und Sicherheitshinweisen vertraut. Benutzen Sie das Produkt nur wie beschrieben und für die angegebenen Einsatzbereiche. Händigen Sie alle Unterlagen bei Weitergabe des Produkts an Dritte mit aus.

Bestimmungsgemäßer Gebrauch

Das Gerät ist für gerade und kurvige Schnitte sowie Gehrungsschnitte bis 45° an kantigen Werkstücken aus Kunststoff, Holz und Leichtmetall geeignet. Das Gerät ist ausschließlich für den privaten Gebrauch in trockenen Räumen zugelassen. Beachten Sie die Hinweise zu Sägeblatttypen. Jede andere Verwendung oder Veränderung des Gerätes gilt als nicht bestimmungsgemäß und birgt erhebliche Unfallgefahren. Für aus bestimmungswidriger Verwendung entstandene Schäden übernimmt der Hersteller keine Haftung.

Ausstattung

- 1 Einschaltperre für Ein-/Ausshalter
- 2 Ein-/Aus-Schalter
- 3 Griff
- 4 Taste zur Entriegelung des Akku-Packs
- 5 Akku-Pack
- 6 Absaugstutzen
- 7 Schalter Späneblasvorrichtung
- 8 Fußplatte
- 9 Gleitschuh (abnehmbar)
- 10 Pendelhubschalter
- 11 Parallelschlag
- 12 Führungsrolle
- 13 Sägeblatt
- 14 Spanreißschutz
- 15 Einschuböffnungen (jeweils inkl. Feststellschraube)
- 16 Schutzbügel
- 17 Schnellspannfutter
- 18 Schutzhaube
- 19 Arbeitslicht
- 20 Klemmschrauben
- 21 Verzahnung
- 22 Taste Akkuzustand

- 23 Akku-Display-LED
- 24 Schnell-Ladegerät
- 25 Rote Ladekontroll-LED
- 26 Grüne Ladekontroll-LED

Lieferumfang

- 1 Akku-Pendelhubstichsäge inkl. Absaugstutzen und Adapter
- 1 Akku-Schnellladegerät
- 1 Akku-Pack
- 1 Parallelschlag
- 2 Sägeblätter zur Holzbearbeitung
- 1 Sägeblatt zur Metallbearbeitung
- 1 Sechskantschlüssel
- 1 Spanreißschutz
- 1 Betriebsanleitung

Technische Daten

Akku-Pendelhubstichsäge:

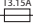
PSTDA 20-Li A1

Bemessungsspannung:	20 V \equiv (Gleichstrom)
Bemessungs-Leerlaufhubzahl:	n_0 0 - 2700 min ⁻¹
Hub:	20 mm
Pendelhub:	3 Stufen und Feinschnitt-Einstellung
Schnitttiefe:	Holz/Aluminium/Metall: 80/12/5 mm
Schnitte:	0° - 15° - 30° - 45° links/rechts

Verwenden Sie zum Betrieb des Akku-Werkzeugs nur folgenden Akku: PAP 20 A1

Typ:	LITHIUM-IONEN
Bemessungsspannung:	20 V \equiv (Gleichstrom)
Kapazität:	2,0 Ah
Zellen:	5

Verwenden Sie zum Laden des Akku-Werkzeugs nur folgendes Akku-Schnellladegerät: PLG 20 A1

EINGANG / Input:	
Bemessungsspannung:	230 - 240 V \sim , 50 Hz (Wechselstrom)
Bemessungsaufnahme:	65 W
Sicherung (innen):	3,15 A 
AUSGANG / Output:	
Bemessungsspannung:	21,5 V \equiv (Gleichstrom)
Bemessungsstrom:	2,4 A
Ladedauer:	ca. 60 min
Schutzklasse:	II/III (Doppelisolierung)

Geräuschemissionswert:

Messwert für Geräusch ermittelt entsprechend EN 60745. Der A-bewertete Geräuschpegel des Elektrowerkzeugs beträgt typischerweise:

Schalldruckpegel: $L_{PA} = 80 \text{ dB (A)}$

Unsicherheit K: $K_{PA} = 3 \text{ dB}$

Schallleistungspegel: $L_{WA} = 91 \text{ dB (A)}$

Unsicherheit K: $K_{WA} = 3 \text{ dB}$

Gehörschutz tragen!

Schwingungsgesamtwerte:

(Vektorsumme dreier Richtungen) ermittelt entsprechend EN 60745:

Sägen von Spanplatte: $a_{h,B} = 5,9 \text{ m/s}^2$

Unsicherheit K = 1,5 m/s^2

Sägen von Metallblech: $a_{h,M} = 7,2 \text{ m/s}^2$

Unsicherheit K = 1,5 m/s^2

HINWEIS

- ▶ Der in diesen Anweisungen angegebene Schwingungspegel ist entsprechend einem in EN 60745 genormten Messverfahren gemessen worden und kann für den Gerätevergleich verwendet werden. Der angegebene Schwingungsemissionswert kann auch zu einer einleitenden Einschätzung der Aussetzung verwendet werden.

⚠️ WARNUNG!

- ▶ Der Schwingungspegel wird sich entsprechend dem Einsatz des Elektrowerkzeugs verändern und kann in manchen Fällen über dem in diesen Anweisungen angegebenen Wert liegen. Die Schwingungsbelastung könnte unterschätzt werden, wenn das Elektrowerkzeug regelmäßig in solcher Weise verwendet wird. Versuchen Sie, die Belastung durch Vibrationen so gering wie möglich zu halten. Beispielhafte Maßnahmen zur Verringerung der Vibrationsbelastung sind das Tragen von Handschuhen beim Gebrauch des Werkzeugs und die Begrenzung der Arbeitszeit. Dabei sind alle Anteile des Betriebszyklus zu berücksichtigen (beispielsweise Zeiten, in denen das Elektrowerkzeug abgeschaltet ist, und solche, in denen es zwar eingeschaltet ist, aber ohne Belastung läuft).



Allgemeine Sicherheitshinweise für Elektrowerkzeuge

⚠️ WARNUNG!

- ▶ Lesen Sie alle Sicherheitshinweise und Anweisungen. Versäumnisse bei der Einhaltung der Sicherheitshinweise und Anweisungen können elektrischen Schlag, Brand und/oder schwere Verletzungen verursachen.

Bewahren Sie alle Sicherheitshinweise und Anweisungen für die Zukunft auf.

Der in den Sicherheitshinweisen verwendete Begriff „Elektrowerkzeug“ bezieht sich auf netzbetriebene Elektrowerkzeuge (mit Netzkabel) und auf akkubetriebene Elektrowerkzeuge (ohne Netzkabel).

1. Arbeitsplatz-Sicherheit

- Halten Sie Ihren Arbeitsbereich sauber und gut beleuchtet. Unordnung und unbeleuchtete Arbeitsbereiche können zu Unfällen führen.
- Arbeiten Sie mit dem Elektrowerkzeug nicht in explosionsgefährdeter Umgebung, in der sich brennbare Flüssigkeiten, Gase oder Stäube befinden. Elektrowerkzeuge erzeugen Funken, die den Staub oder die Dämpfe entzünden können.
- Halten Sie Kinder und andere Personen während der Benutzung des Elektrowerkzeugs fern. Bei Ablenkung können Sie die Kontrolle über das Gerät verlieren.

2. Elektrische Sicherheit

- Der Anschlussstecker des Elektrowerkzeuges muss in die Steckdose passen. Der Stecker darf in keiner Weise verändert werden. Verwenden Sie keine Adapterstecker gemeinsam mit schutzgeerdeten Elektrowerkzeugen. Unveränderte Stecker und passende Steckdosen verringern das Risiko eines elektrischen Schlages.
- Vermeiden Sie Körperkontakt mit geerdeten Oberflächen, wie von Rohren, Heizungen, Herden und Kühlschränken. Es besteht ein erhöhtes Risiko durch elektrischen Schlag, wenn Ihr Körper geerdet ist.

- c) Halten Sie Elektrowerkzeuge von Regen oder Nässe fern. Das Eindringen von Wasser in ein Elektrogerät erhöht das Risiko eines elektrischen Schlages.
- d) Zweckentfremden Sie das Kabel nicht, um das Elektrowerkzeug zu tragen, aufzuhängen oder um den Stecker aus der Steckdose zu ziehen. Halten Sie das Kabel fern von Hitze, Öl, scharfen Kanten oder sich bewegenden Geräteteilen. Beschädigte oder verwickelte Kabel erhöhen das Risiko eines elektrischen Schlages.
- e) Wenn Sie mit einem Elektrowerkzeug im Freien arbeiten, verwenden Sie nur Verlängerungskabel, die auch für den Außenbereich zugelassen sind. Die Anwendung eines für den Außenbereich geeigneten Verlängerungskabels verringert das Risiko eines elektrischen Schlages.
- f) Wenn der Betrieb des Elektrowerkzeuges in feuchter Umgebung nicht vermeidbar ist, verwenden Sie einen Fehlerstromschutzschalter. Der Einsatz eines Fehlerstromschutzschalters vermindert das Risiko eines elektrischen Schlages.
- d) Entfernen Sie Einstellwerkzeuge oder Schraubenschlüssel, bevor Sie das Elektrowerkzeug einschalten. Ein Werkzeug oder Schlüssel, der sich in einem drehenden Geräteteil befindet, kann zu Verletzungen führen.
- e) Vermeiden Sie eine abnormale Körperhaltung. Sorgen Sie für einen sicheren Stand und halten Sie jederzeit das Gleichgewicht. Dadurch können Sie das Elektrowerkzeug in unerwarteten Situationen besser kontrollieren.
- f) Tragen Sie geeignete Kleidung. Tragen Sie keine weite Kleidung oder Schmuck. Halten Sie Haare, Kleidung und Handschuhe fern von sich bewegenden Teilen. Lockere Kleidung, Schmuck oder lange Haare können von sich bewegenden Teilen erfasst werden.
- g) Wenn Staubabsaug- und -auffangeinrichtungen montiert werden können, vergewissern Sie sich, dass diese angeschlossen sind und richtig verwendet werden. Die Verwendung einer Staubabsaugung kann Gefährdungen durch Staub verringern.

3. Sicherheit von Personen

- a) Seien Sie stets aufmerksam, achten Sie darauf, was Sie tun und gehen Sie mit Vernunft an die Arbeit mit einem Elektrowerkzeug. Benutzen Sie kein Elektrowerkzeug, wenn Sie müde sind oder unter dem Einfluss von Drogen, Alkohol oder Medikamenten stehen. Ein Moment der Unachtsamkeit beim Gebrauch des Elektrowerkzeuges kann zu ernsthaften Verletzungen führen.
- b) Tragen Sie persönliche Schutzausrüstung und immer eine Schutzbrille. Das Tragen persönlicher Schutzausrüstung wie Staubmaske, rutschfeste Sicherheitsschuhe, Schutzhelm oder Gehörschutz, je nach Art und Einsatz des Elektrowerkzeuges, verringert das Risiko von Verletzungen.
- c) Vermeiden Sie eine unbeabsichtigte Inbetriebnahme. Vergewissern Sie sich, dass das Elektrowerkzeug ausgeschaltet ist, bevor Sie es an die Stromversorgung und / oder den Akku anschließen, es aufnehmen oder tragen. Wenn Sie beim Tragen des Elektrowerkzeuges den Finger am Schalter haben oder das Gerät bereits eingeschaltet an die Stromversorgung anschließen, kann dies zu Unfällen führen.

4. Verwendung und Behandlung des Elektrowerkzeugs

- a) Überlasten Sie das Gerät nicht. Verwenden Sie für Ihre Arbeit das dafür bestimmte Elektrowerkzeug. Mit dem passenden Elektrowerkzeug arbeiten Sie besser und sicherer im angegebenen Leistungsbereich.
- b) Benutzen Sie kein Elektrowerkzeug, dessen Schalter defekt ist. Ein Elektrowerkzeug, das sich nicht mehr ein- oder ausschalten lässt, ist gefährlich und muss repariert werden.
- c) Ziehen Sie den Stecker aus der Steckdose und / oder entfernen Sie den Akku, bevor Sie Geräteeinstellungen vornehmen, Zubehörteile wechseln oder das Gerät weglegen. Diese Vorsichtsmaßnahme verhindert den unbeabsichtigten Start des Elektrowerkzeuges.
- d) Bewahren Sie unbenutzte Elektrowerkzeuge außerhalb der Reichweite von Kindern auf. Lassen Sie Personen das Gerät nicht benutzen, die mit diesem nicht vertraut sind oder diese Anweisungen nicht gelesen haben. Elektrowerkzeuge sind gefährlich, wenn sie von unerfahrenen Personen benutzt werden.

- e) Pflegen Sie Elektrowerkzeuge mit Sorgfalt. Kontrollieren Sie, ob bewegliche Teile einwandfrei funktionieren und nicht klemmen, ob Teile gebrochen oder so beschädigt sind, dass die Funktion des Elektrowerkzeuges beeinträchtigt ist. Lassen Sie beschädigte Teile vor dem Einsatz des Gerätes reparieren. Viele Unfälle haben ihre Ursache in schlecht gewarteten Elektrowerkzeugen.
- f) Halten Sie Schneidwerkzeuge scharf und sauber. Sorgfältig gepflegte Schneidwerkzeuge mit scharfen Schneidkanten verkleben sich weniger und sind leichter zu führen.
- g) Verwenden Sie Elektrowerkzeug, Zubehör, Einsatzwerkzeuge usw. entsprechend diesen Anweisungen. Berücksichtigen Sie dabei die Arbeitsbedingungen und die auszuführende Tätigkeit. Der Gebrauch von Elektrowerkzeugen für andere als die vorgesehenen Anwendungen kann zu gefährlichen Situationen führen.

5. Verwendung und Behandlung des Akkuwerkzeugs

- a) Laden Sie die Akkus nur in Ladegeräten auf, die vom Hersteller empfohlen werden. Für ein Ladegerät, das für eine bestimmte Art von Akkus geeignet ist, besteht Brandgefahr, wenn es mit anderen Akkus verwendet wird.
- b) Verwenden Sie nur die dafür vorgesehenen Akkus in den Elektrowerkzeugen. Der Gebrauch von anderen Akkus kann zu Verletzungen und Brandgefahr führen.
- c) Halten Sie den nicht benutzten Akku fern von Büroklammern, Münzen, Schlüsseln, Nägeln, Schrauben oder anderen kleinen Metallgegenständen, die eine Überbrückung der Kontakte verursachen könnten. Ein Kurzschluss zwischen den Akkukontakten kann Verbrennungen oder Feuer zur Folge haben.
- d) Bei falscher Anwendung kann Flüssigkeit aus dem Akku austreten. Vermeiden Sie den Kontakt damit. Bei zufälligem Kontakt mit Wasser abspülen. Wenn die Flüssigkeit in die Augen kommt, nehmen Sie zusätzlich ärztliche Hilfe in Anspruch. Austretende Akkuflüssigkeit kann zu Hautreizungen oder Verbrennungen führen.



VORSICHT! EXPLOSIONSGEFAHR!
Laden Sie nicht aufladbare Batterien niemals auf.



Schützen Sie den Akku vor Hitze, z. B. auch vor dauernder Sonneneinstrahlung, Feuer, Wasser und Feuchtigkeit. Es Besteht Explosionsgefahr.



6. Service

- a) Lassen Sie Ihr Elektrowerkzeug nur von qualifiziertem Fachpersonal und nur mit Original-Ersatzteilen reparieren. Damit wird sichergestellt, dass die Sicherheit des Elektrowerkzeugs erhalten bleibt.

Gerätespezifische Sicherheitshinweise für Stichsäge

- Halten Sie das Elektrowerkzeug an den isolierten Griffflächen, wenn Sie Arbeiten ausführen, bei denen das Elektrowerkzeug verborgene Stromleitungen treffen kann. Der Kontakt mit einer spannungsführenden Leitung kann auch metallene Geräteteile unter Spannung setzen und zu einem elektrischen Schlag führen.

Sicherheitshinweise für Ladegeräte

- Dieses Gerät kann von Kindern ab 8 Jahren und darüber sowie von Personen mit verringerten physischen, sensorischen oder mentalen Fähigkeiten oder Mangel an Erfahrung und Wissen benutzt werden, wenn sie beaufsichtigt oder bezüglich des sicheren Gebrauchs des Gerätes unterwiesen wurden und die daraus resultierenden Gefahren verstehen. Kinder dürfen nicht mit dem Gerät spielen. Reinigung und Benutzer-Wartung dürfen nicht von Kindern ohne Beaufsichtigung durchgeführt werden.

- Wenn die Netzanschlussleitung dieses Gerätes beschädigt wird, muss sie durch den Hersteller oder seinen Kundendienst oder eine ähnlich qualifizierte Person ersetzt werden, um Gefährdungen zu vermeiden.



Das Ladegerät ist nur für den Betrieb im Innenbereich geeignet.

⚠️ WARNUNG!

- Wenn ein Ersatz der Anschlussleitung erforderlich ist, dann ist dies vom Hersteller oder seinem Vertreter auszuführen, um Sicherheitsgefährdungen zu vermeiden.

Originalzubehör / -zusatzgeräte

- Benutzen Sie nur Zubehör und Zusatzgeräte, die in der Bedienungsanleitung angegeben sind bzw. deren Aufnahme mit dem Gerät kompatibel ist.

Informationen zu Sägeblättern

Die Parkside-Grundausrüstung beinhaltet bereits Sägeblätter für Hauptanwendungen in Holz und Metall.

- 2 Sägeblätter für allgemeine Holzschnitte
- 1 Sägeblatt für Leichtmetalle bis 5 mm

HINWEIS

- ▶ Sie können jedes Sägeblatt verwenden, vorausgesetzt, es ist mit der passenden Aufnahme (Einnockenschaft) versehen.

Sägeblatttyp

geeignet	ungeeignet

Vor der Inbetriebnahme

Akku-Pack laden (siehe Abb. A)

⚠️ VORSICHT!

- ▶ Ziehen Sie immer den Netzstecker, bevor Sie den Akku-Pack aus dem Ladegerät nehmen bzw. einsetzen.

HINWEIS

- ▶ Laden Sie den Akku-Pack nie, wenn die Umgebungstemperatur unterhalb 10 °C oder oberhalb 40 °C liegt. Soll ein Lithium-Ionen-Akku längere Zeit gelagert werden, muss regelmäßig der Ladezustand kontrolliert werden. Der optimale Ladezustand liegt zwischen 50 % und 80 %. Das Lagerungsklima soll kühl und trocken sein in einer Umgebungstemperatur zwischen 0 °C und 50 °C.
- ◆ Stecken Sie den Akku-Pack **5** in das Schnell-Ladegerät **24** (siehe Abb. A).
- ◆ Stecken Sie den Netzstecker in die Steckdose. Die Kontroll-LED **25** leuchtet rot.
- ◆ Die grüne Kontroll-LED **26** signalisiert Ihnen, dass der Ladevorgang abgeschlossen und der Akku-Pack **5** einsatzbereit ist.

⚠️ ACHTUNG!

- ◆ Sollte die rote Kontroll-LED **25** blinken, dann ist der Akku-Pack **5** überhitzt und kann nicht aufgeladen werden.
- ◆ Sollte die rote und grüne Kontroll-LED **25** **26** gemeinsam blinken, dann ist der Akku-Pack **5** defekt.
- ◆ Schieben Sie den Akku-Pack **5** in das Gerät ein.
- Laden Sie einen Akku-Pack niemals unmittelbar nach dem Schnell-Ladevorgang ein zweites Mal auf. Es besteht die Gefahr, dass der Akku-Pack überhitzt und dadurch die Lebensdauer des Akkus verringert wird.
- ◆ Schalten Sie das Ladegerät zwischen aufeinanderfolgenden Ladevorgängen für mindestens 15 Minuten ab.
Ziehen Sie dazu den Netzstecker.

Akku-Pack ins Gerät einsetzen / entnehmen

Akku-Pack einsetzen:

- ◆ Lassen Sie den Akku-Pack **5** in das Gerät einrasten.

Akku-Pack entnehmen:

- ◆ Drücken Sie die Taste zur Entriegelung **4** und entnehmen Sie den Akku-Pack.

Akkuzustand prüfen

- ◆ Drücken Sie zum Prüfen des Akkuzustands die Taste Akkuzustand **22** (siehe auch Hauptabbildung).
Der Zustand wird in der Akku-Display-LED **23** wie folgt angezeigt:
- ◆ ROT / ORANGE / GRÜN = maximale Ladung / ROT / ORANGE = mittlere Ladung
ROT = schwache Ladung - Akku aufladen

Inbetriebnahme

Sägeblatt montieren / wechseln

Nehmen Sie den Akku vor allen Arbeiten am Elektrowerkzeug (z. B. Wartung, Werkzeugwechsel etc.) sowie bei dessen Transport und Aufbewahrung aus dem Elektrowerkzeug. Bei unbeabsichtigtem Betätigen des Ein-/Ausschalters besteht Verletzungsgefahr.

- ◆ Drücken Sie die Schutzhaube **18** auf Höhe der äußeren Halterungen zusammen und ziehen Sie sie nach vorn ab.
- ◆ Drehen Sie das Schnellspannfutter **17** und halten Sie es gedreht.
- ◆ Drücken Sie das benötigte Sägeblatt bis zum Anschlag in das Schnellspannfutter **17**.
- ◆ Lassen Sie das Schnellspannfutter **17** los, es muss in seine Ausgangsposition zurückkehren. Das Sägeblatt ist nun verriegelt.
- **ACHTUNG!** Die Zähne des Sägeblattes müssen dabei nach vorne zeigen (Siehe Ausklappseite)!

Schutzhaube montieren

Montieren Sie die Schutzhaube **18**, bevor Sie das Gerät an eine Staubabsaugung anschließen.

- ◆ Setzen Sie die Schutzhaube **18** so auf das Gerät, dass die beiden äußeren Halterungen in den Aussparungen des Gehäuses einrasten.
- ◆ Nehmen Sie die Schutzhaube **18** für Arbeiten ohne Staubabsaugung sowie für Gehrengschnitte ab. Drücken Sie dafür die Schutzhaube **18** auf Höhe der äußeren Halterungen zusammen und ziehen Sie sie nach vorn ab.

Parallelanschlag montieren

Der Parallelanschlag **11** kann links oder rechts am Gerät befestigt werden.

- ◆ Lösen Sie die beiden Feststellschrauben der Einschuböffnungen **15**.
- ◆ Schieben Sie den Parallelanschlag **11** in die Einschuböffnungen **15**.
- ◆ Schrauben Sie die beiden Feststellschrauben wieder fest.

Spanabsaugung anschließen

- ◆ Stecken Sie den Absaugstutzen **6** in den Absaugkanal bis dieser festklemmt. Wahlweise je nach Durchmesser von der Staub- und Spanabsaugung.
- ◆ Schließen Sie eine zugelassene Staub- und Spanabsaugung an den Absaugstutzen **6** an.



Tragen Sie eine Staubschutzmaske.

Absaugfunktion unterstützen:

- ◆ Schieben Sie den Schalter Späneblasvorrichtung **7** in die Position „O“.

Spanblasfunktion

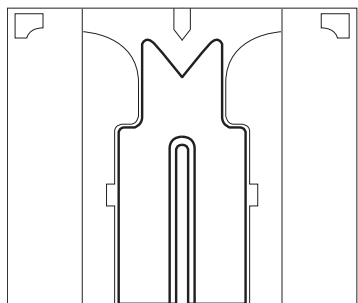
Spanblasfunktion einschalten:

- ◆ Schieben Sie den Schalter Späneblasvorrichtung **7** in die Position .

Spanreißschutz montieren

Der Spanreißschutz **14** kann ein Ausreißen der Oberfläche beim Sägen von Holz verhindern. Der Spanreißschutz **14** kann nur bei bestimmten Sägeblatttypen, ohne Gleitschuh **9** und nur bei einem Schnittwinkel von 0° verwendet werden.

- ◆ Drücken Sie den Spanreißschutz **14** von unten in die Fußplatte **8** ein (Auskerbung nach oben).



Gleitschuh montieren

Bei der Bearbeitung von empfindlichen Oberflächen können Sie den Gleitschuh **9** auf die Fußplatte **8** aufsetzen, um ein Verkratzen der Oberfläche zu vermeiden.

- ◆ Hängen Sie den Gleitschuh **9** vorne an die Fußplatte **8** ein und drücken Sie ihn hinten hoch, bis er an der Fußplatte **8** einrastet.
- ◆ Zum Abnehmen des Gleitschuhs **9**, lösen Sie ihn am hinteren Teil der Fußplatte **8** und nehmen ihn nach vorne hin ab.

Bedienung

Schnittwinkel einstellen

- ◆ Lösen Sie die Klemmschrauben **20** mit dem mitgelieferten Sechskantschlüssel und ziehen die Fußplatte **8** nach hinten.
- ◆ Stellen Sie den Schnittwinkel 0° / 15° / 30° / 45° mit Hilfe der Markierungen an der Fußplatte **8** ein. Schieben Sie die Fußplatte **8** nach vorne, damit der Arretierstift in die Verzahnung **21** einrastet.
- ◆ Spannen Sie die Klemmschrauben **20** mit dem Sechskantschlüssel.

HINWEIS

- ▶ Bei einem Schnittwinkel von 15° / 30° / 45°, muss die Schutzhaube **18** und der Spanreißschutz **14** vorher entfernt werden.

Hubzahl einstellen

Der EIN- / AUS-Schalter **2** verfügt über eine variable Geschwindigkeitsregelung. Leichter Druck auf den EIN- / AUS-Schalter **2** bewirkt eine niedrige Drehzahl. Mit zunehmendem Druck erhöht sich die Drehzahl.

HINWEIS

- ▶ Die integrierte Motorbremse sorgt für einen schnellen Stillstand.

Pendelhub einstellen

- ◆ Sie können mit dem Pendelhubschalter **10** die Pendelbewegung des Sägeblattes **13** einstellen. Ohne Pendelbewegung (Stellung „0“) erzielen Sie feine und saubere Schnittkanten. Stellen Sie bei dünnen Werkstücken den Pendelhub ab. Mit aktiviertem Pendelhub (Stellung 1-3) erzielen Sie einen zunehmend schnelleren Arbeitsfortschritt.

Einschalten / Ausschalten

Gerät einschalten:

- ◆ Drücken Sie die Einschaltsperrleiste **1** nach links oder rechts und halten diese gedrückt.
- ◆ Betätigen Sie den EIN-/AUS-Schalter **2**. Nachdem die Maschine angelaufen ist, können Sie die Einschaltsperrleiste **1** wieder loslassen. Das Arbeitslicht **19** leuchtet bei leicht oder vollständig gedrücktem EIN- / AUS-Schalter **2**. Es ermöglicht so das Ausleuchten des Arbeitsbereiches bei ungünstigen Lichtverhältnissen.

Gerät ausschalten:

Lassen Sie den EIN-/AUS-Schalter **2** los.

Wartung und Reinigung



WARNUNG! VERLETZUNGSGEFAHR!
Schalten Sie vor allen Arbeiten am Gerät das Gerät aus und entnehmen Sie den Akku.

- Das Gerät muss stets sauber, trocken und frei von Öl oder Schmierfetten sein.
- Verwenden Sie zum Reinigen des Gehäuses ein trockenes Tuch.
- Soll ein Lithium-Ionen-Akku längere Zeit gelagert werden, muss regelmäßig der Ladezustand kontrolliert werden. Der optimale Ladezustand liegt zwischen 50 % und 80 %. Das optimale Lagerungsklima ist kühl und trocken.
- Führen Sie die Reinigung des Gerätes im Anschluss an Ihre Sägearbeit durch.
- Entfernen Sie Verschmutzungen (z.B. durch Sägespäne). Reinigen Sie die Sägeblattaufnahme ggf. mit einem Pinsel oder durch Ausblasen mit Druckluft.

Garantie der Kompernaß Handels GmbH

Sehr geehrte Kundin, sehr geehrter Kunde,

Sie erhalten auf dieses Gerät 3 Jahre Garantie ab Kaufdatum. Im Falle von Mängeln dieses Produkts stehen Ihnen gegen den Verkäufer des Produkts gesetzliche Rechte zu. Diese gesetzlichen Rechte werden durch unsere im Folgenden dargestellte Garantie nicht eingeschränkt.

Garantiebedingungen

Die Garantiefrist beginnt mit dem Kaufdatum. Bitte bewahren Sie den Original-Kassenbon gut auf. Diese Unterlage wird als Nachweis für den Kauf benötigt.

Tritt innerhalb von drei Jahren ab dem Kaufdatum dieses Produkts ein Material- oder Fabrikationsfehler auf, wird das Produkt von uns – nach unserer Wahl – für Sie kostenlos repariert oder ersetzt. Diese Garantieleistung setzt voraus, dass innerhalb der Drei-Jahres-Frist das defekte Gerät und der Kaufbeleg (Kassenbon) vorgelegt und schriftlich kurz beschrieben wird, worin der Mangel besteht und wann er aufgetreten ist.

Wenn der Defekt von unserer Garantie gedeckt ist, erhalten Sie das reparierte oder ein neues Produkt zurück. Mit Reparatur oder Austausch des Produkts beginnt kein neuer Garantiezeitraum.

Garantiezeit und gesetzliche Mängelansprüche

Die Garantiezeit wird durch die Gewährleistung nicht verlängert. Dies gilt auch für ersetzte und reparierte Teile. Eventuell schon beim Kauf vorhandene Schäden und Mängel müssen sofort nach dem Auspacken gemeldet werden. Nach Ablauf der Garantiezeit anfallende Reparaturen sind kostenpflichtig.

Garantieumfang

Das Gerät wurde nach strengen Qualitätsrichtlinien sorgfältig produziert und vor Auslieferung gewissenhaft geprüft.

Die Garantieleistung gilt für Material- oder Fabrikationsfehler. Diese Garantie erstreckt sich nicht auf Produktteile, die normaler Abnutzung ausgesetzt sind und daher als Verschleißteile angesehen werden können oder für Beschädigungen an zerbrechlichen Teilen, z. B. Schalter, Akkus, Backformen oder Teile die aus Glas gefertigt sind.

Diese Garantie verfällt, wenn das Produkt beschädigt, nicht sachgemäß benutzt oder gewartet wurde. Für eine sachgemäße Benutzung des Produkts sind alle in der Bedienungsanleitung aufgeführten Anweisungen genau einzuhalten. Verwendungszwecke und Handlungen, von denen in der Bedienungsanleitung abgeraten oder vor denen gewarnt wird, sind unbedingt zu vermeiden.

Das Produkt ist nur für den privaten und nicht für den gewerblichen Gebrauch bestimmt. Bei missbräuchlicher und unsachgemäßer Behandlung, Gewaltanwendung und bei Eingriffen, die nicht von unserer autorisierten Service-Niederlassung vorgenommen wurden, erlischt die Garantie.

Abwicklung im Garantiefall

Um eine schnelle Bearbeitung ihres Anliegens zu gewährleisten, folgen Sie bitte den folgenden Hinweisen:

- Bitte halten Sie für alle Anfragen den Kassenbonn und die Artikelnummer (z. B. IAN 12345) als Nachweis für den Kauf bereit.
- Die Artikelnummer entnehmen Sie bitte dem Typenschild, einer Gravur, auf dem Titelblatt ihrer Anleitung (unten links) oder als Aufkleber auf der Rück- oder Unterseite.
- Sollten Funktionsfehler oder sonstige Mängel auftreten, kontaktieren Sie zunächst die nachfolgend benannte Serviceabteilung **telefonisch** oder per **E-Mail**.
- Ein als defekt erfasstes Produkt können Sie dann unter Beifügung des Kaufbelegs (Kassenbonn) und der Angabe, worin der Mangel besteht und wann er aufgetreten ist, für Sie portofrei an die Ihnen mitgeteilte Service-Anschrift übersenden.



Auf www.lidl-service.com können Sie diese und viele weitere Handbücher, Produktvideos und Software herunterladen.

Service

WARNUNG!

- ▶ Lassen Sie Ihre Geräte von der Servicestelle oder einer Elektrofachkraft und nur mit Original-Ersatzteilen reparieren. Damit wird sichergestellt, dass die Sicherheit des Gerätes erhalten bleibt.
- ▶ Lassen Sie den Austausch des Steckers oder der Netzleitung immer vom Hersteller des Gerätes oder seinem Kundendienst ausführen. Damit wird sichergestellt, dass die Sicherheit des Gerätes erhalten bleibt.

Service Deutschland

Tel.: 0800 5435 111 (Kostenfrei aus dem dt. Festnetz/Mobilfunknetz)
E-Mail: kompnass@lidl.de

Service Österreich

Tel.: 0820 201 222 (0,15 EUR/Min.)
E-Mail: kompnass@lidl.at

Service Schweiz

Tel.: 0842 665566 (0,08 CHF/Min., Mobilfunk max. 0,40 CHF/Min.)
E-Mail: kompnass@lidl.ch

IAN 279504

Importeur

Bitte beachten Sie, dass die folgende Anschrift keine Serviceanschrift ist. Kontaktieren Sie zunächst die benannte Servicestelle.

KOMPENASS HANDELS GMBH
BURGSTRASSE 21
44867 BOCHUM
GERMANY
www.kompnass.com

Entsorgung



Die Verpackung besteht aus umweltfreundlichen Materialien, die Sie über die örtlichen Recyclingstellen entsorgen können.



Werfen Sie Elektrowerkzeuge nicht in den Hausmüll!

Gemäß Europäischer Richtlinie 2012/19/EU müssen verbrauchte Elektrowerkzeuge getrennt gesammelt und einer umweltgerechten Wiederverwertung zugeführt werden.



Werfen Sie Akkus nicht in den Hausmüll!

Defekte oder verbrauchte Akkus müssen gemäß Richtlinie 2006/66/EC recycelt werden. Geben Sie Akku-Pack und /oder das Gerät über die angebotenen Sammeleinrichtungen zurück.

Über Entsorgungsmöglichkeiten für ausgediente Elektrowerkzeuge / Akku-Pack informieren Sie sich bitte bei Ihrer Gemeinde- oder Stadtverwaltung.

Original-Konformitätserklärung

Wir, KOMPERNASS HANDELS GMBH, Dokumentenverantwortlicher: Herr Semi Uguzlu, BURGSTR. 21, 44867 BOCHUM, DEUTSCHLAND, erklären hiermit, dass dieses Produkt mit den folgenden Normen, normativen Dokumenten und EG-Richtlinien übereinstimmt:

Maschinenrichtlinie (2006 / 42 / EG)

EG-Niederspannungsrichtlinie (2014 / 35 / EU)

Elektromagnetische Verträglichkeit (2014 / 30 / EU)

RoHS Richtlinie (2011 / 65 / EU)*

*Die alleinige Verantwortung für die Ausstellung dieser Konformitätserklärung trägt der Hersteller. Der oben beschriebene Gegenstand der Erklärung erfüllt die Vorschriften der Richtlinie 2011/65/EU des Europäischen Parlaments und des Rates vom 8. Juni 2011 zur Beschränkung der Verwendung bestimmter gefährlicher Stoffe in Elektro- und Elektronikgeräten.

Angewandte harmonisierte Normen:

EN 60745-1: 2009 / A11: 2010

EN 60745-2-11: 2010

EN 62233: 2008

EN 55014-1: 2006 / A2: 2011

EN 55014-2: 2015

EN 60335-1: 2012 / A11: 2014

EN 60335-2-29: 2004 / A2:2010

EN 61000-3-2: 2014

EN 61000-3-3: 2013

Typbezeichnung der Maschine:

Akku-Pendelhubstichsäge PSTDA 20-Li A1

Herstellungsjahr: 10-2016

Seriennummer: IAN 279504

Bochum, 30.09.2016



Semi Uguzlu

- Qualitätsmanager -

Technische Änderungen im Sinne der Weiterentwicklung sind vorbehalten.

Ersatz-Akku Bestellung

Wenn Sie einen Ersatz-Akku für Ihr Gerät bestellen möchten, so können Sie dies entweder bequem im Internet unter www.kompernass.com oder telefonisch abwickeln.

Der Preis des Ersatz-Akkus beträgt 20 € inkl. MwSt. und Versand. Dieser Artikel kann aufgrund begrenzter Vorratsmenge nach kurzer Zeit ausverkauft sein.



Online-Bestellung

Um einen Ersatz-Akku über den Zubehör-Shop zu bestellen:

- Rufen Sie mit Ihrem Internetbrowser die Seite www.kompernass.com auf.
- Klicken Sie rechts unten auf die entsprechende Flagge, um das gewünschte Land und die Sprache auszuwählen.
- Klicken Sie jetzt auf den Reiter „Zubehör-Shop“ und wählen anschließend unter der Rubrik „Topseller“ den passenden Ersatz-Akku zu Ihrem Gerät aus.
- Nachdem Sie den Ersatz-Akku in den Warenkorb gelegt haben, klicken Sie auf die Schaltfläche „Kasse“ und befolgen die auf dem Bildschirm angezeigten Anweisungen, um den Bestellvorgang abzuschließen.

HINWEIS

- ▶ Die Bestellung von Ersatzteilen kann in einigen Ländern nicht online vorgenommen werden. Kontaktieren Sie in diesem Fall bitte die Service-Hotline.
- Die Aktion ist begrenzt auf einen Akku pro Kunde / Gerät, sowie auf eine Laufzeit von zwei Monaten nach dem Aktionszeitraum. Danach kann der Ersatzakku als Ersatzteil zu anderen Konditionen weiterhin bestellt werden.

Telefonische Bestellung

- (DE) Service Deutschland**
Tel.: 0800 5435 111 (Kostenfrei aus dem dt. Festnetz/Mobilfunknetz)
- (AT) Service Österreich**
Tel.: 0820 201 222 (0,15 EUR/Min.)
E-Mail: kompernass@lidl.at
- (CH) Service Schweiz**
Tel.: 0842 665566 (0,08 CHF/Min., Mobilfunk max. 0,40 CHF/Min.)
E-Mail: kompernass@lidl.ch

Um eine schnelle Bearbeitung Ihrer Bestellung zu gewährleisten, halten Sie bitte für alle Anfragen die Artikelnummer (z.B. IAN 279504) des Gerätes bereit. Die Artikelnummer entnehmen Sie bitte dem Typenschild oder dem Titelblatt dieser Anleitung.

KOMPERNASS HANDELS GMBH

BURGSTRASSE 21

44867 BOCHUM

DEUTSCHLAND / GERMANY

www.kompernass.com

Last Information Update - Έκδοση των πληροφοριών

Stand der Informationen: 09 / 2016

Ident.-No.: PSTDA20-LiA1-092016-1

IAN 279504