



CORDLESS JIGSAW PSTDA 20-Li A1

(GB)

CORDLESS JIGSAW

Translation of the original instructions

(LT)

AKUMULIATORINIS ŠVYTUOKLINIS SIAURAPJŪKLIS

Naudojimo instrukcijos originalo vertimas

(PL)

AKUMULATOROWA WYRZYNIARKA

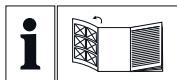
Tłumaczenie oryginalnej instrukcji obsługi

(DE) (AT) (CH)

AKKU-PENDELHUBSTICHSÄGE

Originalbetriebsanleitung

IAN 279504



GB

Before reading, unfold the page containing the illustrations and familiarise yourself with all functions of the device.

PL

Przed przeczytaniem proszę rozłożyć stronę z ilustracjami, a następnie proszę zapoznać się z wszystkimi funkcjami urządzenia.

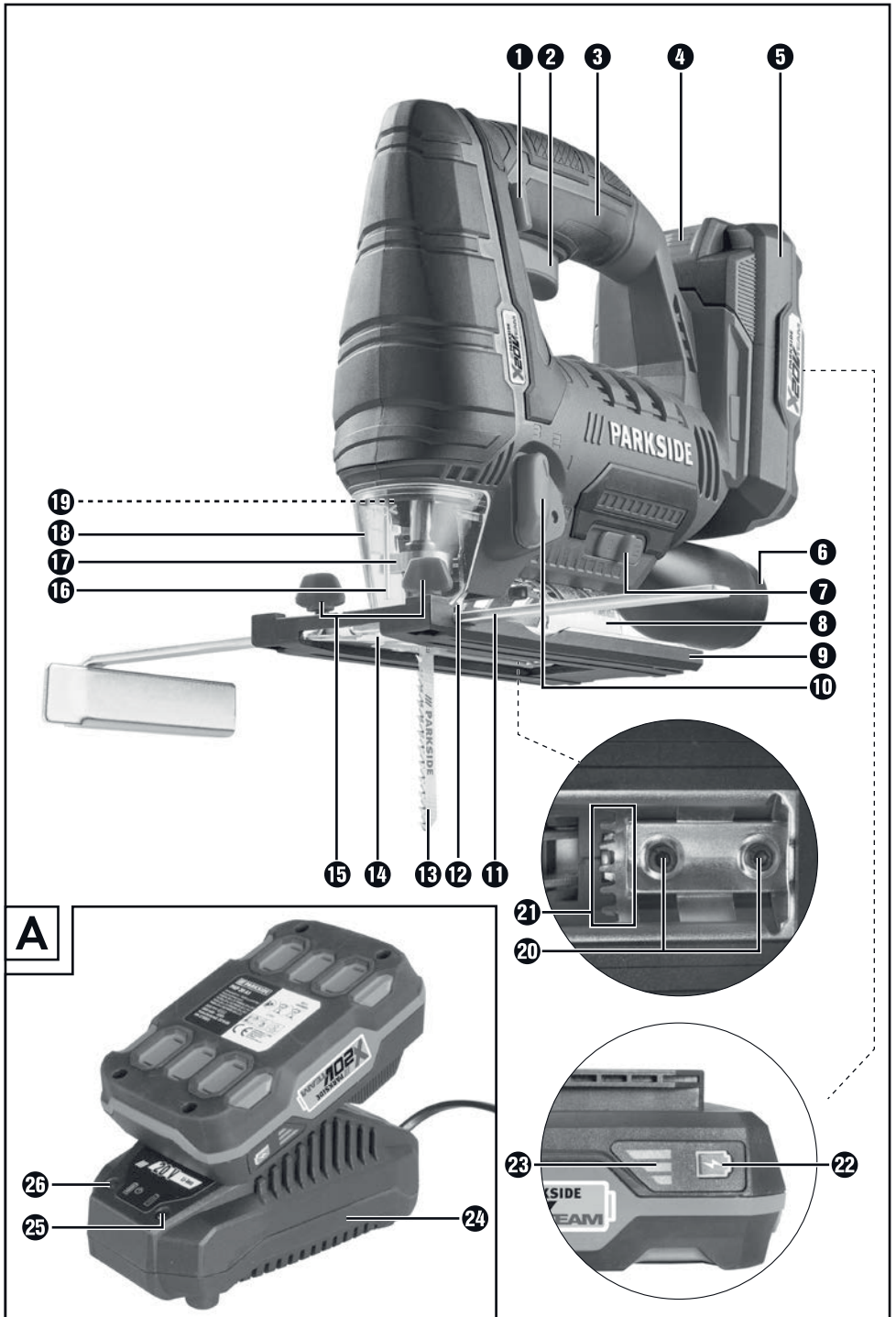
LT

Prieš skaitydami atsiverskite lapą su paveikslėliais ir susipažinkite su visomis prietaiso funkcijomis.

DE AT CH

Klappen Sie vor dem Lesen die Seite mit den Abbildungen aus und machen Sie sich anschließend mit allen Funktionen des Gerätes vertraut.

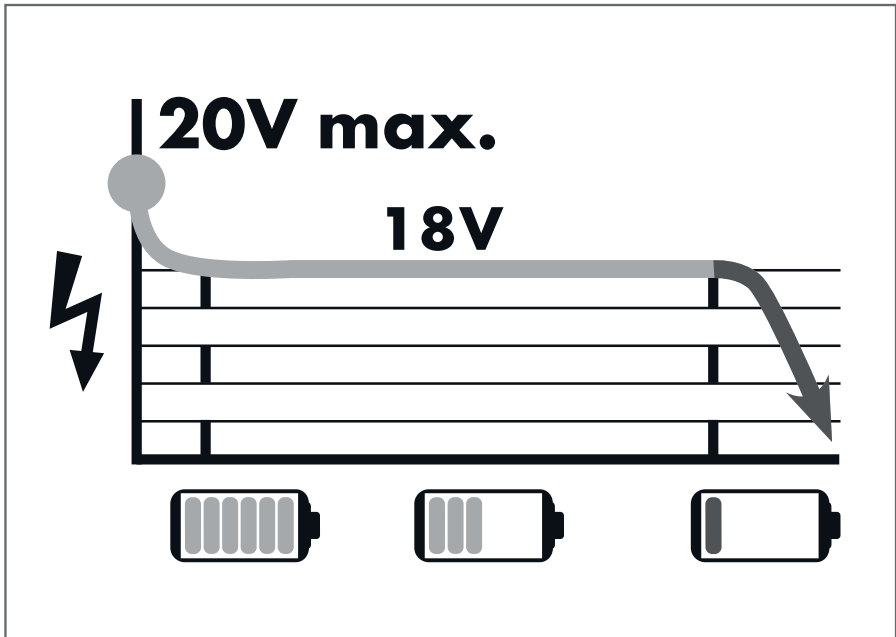
GB	Translation of the original instructions	Page	1
PL	Tłumaczenie oryginalnej instrukcji obsługi	Strona	13
LT	Naudojimo instrukcijos originalo vertimas	Seite	27
DE/AT/CH	Originalbetriebsanleitung	Seite	39





BATTERY COMPATIBLE WITH ALL DEVICES OF THE SERIES „PARKSIDE X 20V TEAM“

- 2 SPEED CORDLESS IMPACT DRILL PSBSA 20-Li A1
- CORDLESS HAMMER DRILL PABH 20-Li B2
- CORDLESS DRILL PABS 20-Li C3
- CORDLESS IMPACT DRIVER PDSSA 20-Li A1
- CORDLESS CIRCULAR SAW PHKSA 20-Li A1
- CORDLESS JIGSAW PSTDA 20-Li A1
- CORDLESS SABRE SAW PSSA 20-Li A1
- CORDLESS ANGLE GRINDER PWSA 20-Li A1
- CORDLESS MULTI-PURPOSE TOOL PAMFW 20-Li A1



Contents

Introduction	2
Intended use	2
Features	2
Package contents	2
Technical data	2
General Power Tool Safety Warnings	3
1. Work area safety	3
2. Electrical safety	3
3. Personal safety	4
4. Power tool use and care	4
5. Use and handling of the cordless electrical power tool	5
6. Service	5
Appliance-specific safety instructions for jigsaws	5
Safety guidelines for battery chargers	5
Original accessories/auxiliary equipment	6
Information on saw blades	6
Before use	6
Charging the battery pack (see fig. A)	6
Attaching/disconnecting the battery pack to/from the appliance	7
Checking the battery charge level	7
Initial operation	7
Fitting/changing the saw blade	7
Fitting the blade guard	7
Fitting the rip fence	7
Connecting the sawdust extractor	7
Sawdust blowing function	7
Fitting the splinter guard	8
Fitting the sliding shoe	8
Use	8
Setting the cutting angle	8
Setting the stroke rate	8
Adjusting the pendulum stroke	8
Switching on/off	8
Maintenance and cleaning	9
Kompernass Handels GmbH warranty	9
Service	10
Importer	10
Disposal	10
Translation of the original Conformity Declaration	11
Ordering a replacement battery	12
Online ordering	12
Telephone ordering	12

CORDLESS JIGSAW

PSTDA 20-Li A1

Introduction

Congratulations on the purchase of your new appliance. You have chosen a high-quality product. The operating instructions are part of this product. They contain important information about safety, usage and disposal. Before using the product, please familiarise yourself with all operating and safety instructions. Use the product only as described and for the range of applications specified. Please also pass these operating instructions on to any future owner.

Intended use

This appliance is suitable for making straight and curved cuts as well as mitre cuts of up to 45° in angular workpieces made of plastic, wood or light metal. This appliance is exclusively intended for private use in dry indoor spaces. Observe the guidelines on saw blade types. Any other usage of or modification to the appliance is deemed to be improper and carries a significant risk of accidents. The manufacturer accepts no responsibility for damage(s) attributable to misuse.

Features

- ❶ Safety lock-out for ON/OFF switch
- ❷ ON/OFF switch
- ❸ Handle
- ❹ Release button for battery pack
- ❺ Battery pack
- ❻ Extraction nozzle
- ❼ Switch for sawdust blower
- ❽ Footplate
- ❾ Sliding shoe (removable)
- ❿ Pendulum stroke switch
- ⓫ Rip fence
- ⓬ Guide roller
- ⓭ Saw blade
- ⓮ Splinter guard
- ⓯ Insertion openings (each incl. locking screw)
- ⓰ Guard rail
- ⓱ Quick-release chuck
- ⓲ Blade guard
- ⓳ Working light
- ⓴ Clamping screws
- ⓵ Tothing

- ⓶ Battery charge level button
- ⓷ Battery display LED
- ⓸ High-speed charger
- ⓹ Red charge control LED
- ⓺ Green charge control LED

Package contents

- 1 cordless jigsaw incl. extraction nozzle and adaptor
- 1 high-speed battery charger
- 1 battery pack
- 1 rip fence
- 2 saw blades for woodworking
- 1 saw blade for metalworking
- 1 hex key
- 1 splinter guard
- 1 operating manual

Technical data

Cordless jigsaw:

PSTDA 20-Li A1

Rated voltage:	20 V --- (DC)
Rated idle stroke speed:	n_0 0-2700 rpm
Stroke:	20 mm
Pendulum stroke:	3 stages and fine-cut setting
Cutting depth:	wood/aluminium/metal: 80/12/5 mm
Cuts:	0° - 15° - 30° - 45° left/right


Use only the following battery to operate the cordless tool: PAP 20 A1

Type:	LITHIUM ION
Rated voltage:	20 V --- (DC)
Capacity:	2.0 Ah
Cells:	5

Use only the following high-speed battery charger to charge the cordless tool: PLG 20 A1

INPUT:

Rated voltage:	230-240 V \sim , 50 Hz (alternating current)
----------------	---

Rated power consumption:	65 W
Fuse (internal):	3.15 A  T3:15A

OUTPUT:

Rated voltage:	21.5 V --- (DC)
Rated current:	2.4 A
Charging time:	approx. 60 min
Protection class:	II/  (double insulation)

Noise emission value:

Noise measurement value determined in accordance with EN 60745. The A-rated noise level of the power tool is typically as follows:

Sound pressure level: $L_{PA} = 80 \text{ dB (A)}$

Uncertainty K: $K_{PA} = 3 \text{ dB}$

Sound power level: $L_{WA} = 91 \text{ dB (A)}$

Uncertainty K: $K_{WA} = 3 \text{ dB}$

Wear hearing protection!

Total vibration value:

(vector total of three directions) determined in accordance with EN 60745:

Cutting boards: $a_{h,B} = 5.9 \text{ m/s}^2$

Uncertainty K = 1.5 m/s^2

Cutting sheet metal: $a_{h,M} = 7.2 \text{ m/s}^2$

Uncertainty K = 1.5 m/s^2

NOTE

- ▶ The vibration level specified in these instructions has been measured in accordance with the standardised measuring procedure specified in EN 60745 and can be used to make equipment comparisons. The specified vibration emission value can also be used to make an initial exposure estimate.

⚠ WARNING!

- ▶ The vibration level will vary according to the use of the power tool and may sometimes be higher than the value specified in these instructions. Regular use of the power tool in this way may cause the user to underestimate the vibration. Try to keep the vibration loads as low as possible. Measures to reduce the vibration load are, e.g. wearing gloves and limiting the working time. Wherein all states of operation must be included (e.g. times when the power tool is switched off and times where the power tool is switched on but running without load).



General Power Tool Safety Warnings

⚠ WARNING!

- ▶ Read all safety warnings and all instructions. Failure to follow the warnings and instructions may result in electric shock, fire and/or serious injury.

Save all warnings and instructions for future reference.

The term "power tool" in the warnings refers to your mains-operated (corded) power tool or battery-operated (cordless) power tool.

1. Work area safety

- Keep work area clean and well lit.** Cluttered or dark areas invite accidents.
- Do not operate power tools in explosive atmospheres, such as in the presence of flammable liquids, gases or dust.** Power tools create sparks which may ignite the dust or fumes.
- Keep children and bystanders away while operating a power tool.** Distractions can cause you to lose control.

2. Electrical safety

- Power tool plugs must match the outlet. Never modify the plug in any way. Do not use any adapter plugs with earthed (grounded) power tools.** Unmodified plugs and matching outlets will reduce risk of electric shock.
- Avoid body contact with earthed or grounded surfaces, such as pipes, radiators, ranges and refrigerators.** There is an increased risk of electric shock if your body is earthed or grounded.
- Do not expose power tools to rain or wet conditions.** Water entering a power tool will increase the risk of electric shock.

- d) Do not abuse the cord. Never use the cord for carrying, pulling or unplugging the power tool. Keep cord away from heat, oil, sharp edges or moving parts. Damaged or entangled cords increase the risk of electric shock.
- e) When operating a power tool outdoors, use an extension cord suitable for outdoor use. Use of a cord suitable for outdoor use reduces the risk of electric shock.
- f) If operating a power tool in a damp location is unavoidable, use a residual current device (RCD) protected supply. Use of an RCD reduces the risk of electric shock.

3. Personal safety

- a) Stay alert, watch what you are doing and use common sense when operating a power tool. Do not use a power tool while you are tired or under the influence of drugs, alcohol or medication. A moment of inattention while operating power tools may result in serious personal injury.
 - b) Use personal protective equipment. Always wear eye protection. Protective equipment such as dust mask, non-skid safety shoes, hard hat, or hearing protection used for appropriate conditions will reduce personal injuries.
 - c) Prevent unintentional starting. Ensure the switch is in the off-position before connecting to power source and/or battery pack, picking up or carrying the tool. Carrying power tools with your finger on the switch or energising power tools that have the switch on invites accidents.
 - d) Remove any adjusting key or wrench before turning the power tool on. A wrench or a key left attached to a rotating part of the power tool may result in personal injury.
 - e) Do not overreach. Keep proper footing and balance at all times. This enables better control of the power tool in unexpected situations.
 - f) Dress properly. Do not wear loose clothing or jewellery. Keep your hair, clothing and gloves away from moving parts. Loose clothes, jewellery or long hair can be caught in moving parts.
- g) If devices are provided for the connection of dust extraction and collection facilities, ensure these are connected and properly used. Use of dust collection can reduce dust-related hazards.

4. Power tool use and care

- a) Do not force the power tool. Use the correct power tool for your application. The correct power tool will do the job better and safer at the rate for which it was designed.
- b) Do not use the power tool if the switch does not turn it on and off. Any power tool that cannot be controlled with the switch is dangerous and must be repaired.
- c) Disconnect the plug from the power source and/or the battery pack from the power tool before making any adjustments, changing accessories or storing power tools. Such preventive safety measures reduce the risk of starting the power tool accidentally.
- d) Store idle power tools out of the reach of children and do not allow persons unfamiliar with the power tool or these instructions to operate the power tool. Power tools are dangerous in the hands of untrained users.
- e) Maintain power tools. Check for misalignment or binding of moving parts, breakage of parts and any other condition that may affect the power tool's operation. If damaged, have the power tool repaired before use. Many accidents are caused by poorly maintained power tools.
- f) Keep cutting tools sharp and clean. Properly maintained cutting tools with sharp cutting edges are less likely to bind and are easier to control.
- g) Use the power tool, accessories and tool bits, etc. in accordance with these instructions, taking into account the working conditions and the work to be performed. Use of the power tool for operations different from those intended could result in a hazardous situation.

5. Use and handling of the cordless electrical power tool

- a) Charge a rechargeable battery unit using only the charger recommended by the manufacturer. Chargers are often designed for a particular type of rechargeable battery unit. There is the danger of fire if other types of rechargeable battery units are used.
- b) Only the rechargeable battery units supplied are to be used with an electrical power tool. The use of other rechargeable battery units may lead to the danger of injury or fire.
- c) When they are not being used, store rechargeable battery units away from paper-clips, coins, keys, nails, screws or other small metal objects that could cause the contacts to be bridged. Short-circuiting the contacts of a rechargeable battery unit may result in heat damage or fire.
- d) Fluids may leak out of rechargeable battery units if they are misused. If this happens, avoid contact with the fluid. If contact occurs, flush the affected area with water. Seek additional medical help if any of the fluid gets into your eyes. Escaping battery fluid may cause skin irritation or burns.



CAUTION! RISK OF EXPLOSION!
Never charge non-rechargeable batteries!



Protect the rechargeable battery from heat, for example from continuous exposure to sunlight, fire, water and moisture. There is a risk of explosion.



6. Service

- a) Have your power tool serviced by a qualified repair person using only identical replacement parts. This will ensure that the safety of the power tool is maintained.

Appliance-specific safety instructions for jigsaws

- Hold the power tool by the insulated gripping surfaces when carrying out work during which the power tool may contact hidden power cables. Contact with a live wire may electrify exposed metal parts of the power tool and could give the operator an electric shock.

Safety guidelines for battery chargers

- This appliance may be used by children aged 8 years and above and by persons with limited physical, sensory or mental capabilities or lack of experience and knowledge, provided that they are under supervision or have been told how to use the appliance safely and are aware of the potential risks. Do not allow children to use the appliance as a toy. Cleaning and user maintenance tasks may not be carried out by children unless they are supervised.
- To avoid potential risks, damaged mains cables should be replaced by the manufacturer, their customer service department or a similarly qualified person.



The charger is suitable for indoor use only.

WARNING!

- If the power cord requires replacement, this should be carried out by the manufacturer or an approved representative to avoid safety hazards.

Original accessories/auxiliary equipment

- Use only the accessories and additional equipment that are specified in the operating instructions and are compatible with the appliance.

Information on saw blades


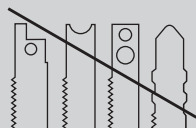
The Parkside basic equipment includes saw blades for use with wood and metal.

- 2 saw blades for general wood cutting
- 1 saw blade for light metals up to 5 mm

NOTE

- ▶ You can use any saw blade, provided it is fitted with a suitable mounting (single-lug shank).

Saw blade type

suitable	unsuitable
	

Before use

Charging the battery pack (see fig. A)

⚠ CAUTION!

- ▶ Always unplug the appliance before you remove the battery pack from or connect the battery pack to the charger.

NOTE

- ▶ Never charge the battery pack if the ambient temperature is below 10°C or above 40°C. If a lithium-ion battery is to be stored for an extended period, the charge level should be checked regularly. The optimum charge level is between 50% and 80%. The storage climate should be cool and dry and the ambient temperature should be between 0°C and 50°C.

- ◆ Connect the battery pack **5** to the high-speed battery charger **24** (see fig. A).
- ◆ Insert the power plug into the socket. The control LED **25** lights up red.
- ◆ The green LED **26** indicates that the charging process is complete and the battery pack **5** is ready.

⚠ CAUTION!

- ◆ If the red control LED **25** flashes, this means that the battery pack **5** has overheated and cannot be charged.
- ◆ If the red and green control LEDs **25** **26** both flash, this means that the battery pack **5** is broken.
- ◆ Push the battery pack **5** back into the appliance.
- Never recharge a battery pack again immediately after rapid charging. There is a risk that the battery pack will overheat and this will reduce the lifespan of the battery.
- ◆ Switch off the charger for at least 15 minutes between successive charging sessions. To do this, disconnect the power plug.

Attaching/disconnecting the battery pack to/from the appliance

Inserting the battery pack:

- ◆ Allow the battery pack **5** to click into place in the appliance.

Removing the battery pack:

- ◆ Press the release button **4** and remove the battery pack.

Checking the battery charge level

- ◆ Press the battery charge level button **22** to check the status of the battery (see also main diagram). The status will be shown on the battery display LED **23** as follows:
 - ◆ RED/ORANGE/GREEN = maximum charge
 - ◆ RED/ORANGE = medium charge
 - ◆ RED = low charge - charge the battery

Initial operation

Fitting/changing the saw blade

Remove the battery before carrying out any work on the power tool (e.g. maintenance, changing tools, etc.) as well as during the transport and storage of the power tool.

Unintentional activation of the ON/OFF switch can result in injury.

- ◆ Press the blade guard together **18** at the height of the outer catches and pull it off to the front.
- ◆ Turn the quick-release chuck **17** and hold it in this position.
- ◆ Push the required saw blade into the quick-release chuck **17** as far as the stop.
- ◆ Release the quick-release chuck **17** so that it returns to its initial position. The saw blade is now locked.
- **CAUTION!** The saw blade teeth must face the front (see fold-out page)!

Fitting the blade guard

Fit the blade guard **18** before you connect the appliance to a dust extractor.

- ◆ Fit the blade guard **18** onto the appliance so that the two outer catches engage in the recesses in the housing.
- ◆ Remove the blade guard **18** for working without a dust extractor or when making mitre cuts. To do this, press the blade guard together **18** at the height of the outer catches and pull it off to the front.

Fitting the rip fence

The rip fence **11** can be fitted on the left or right of the appliance.

- ◆ Undo both the clamping screws on the insertion openings **15**.
- ◆ Push the rip fence **11** into the insertion openings **15**.
- ◆ Retighten the two locking screws.

Connecting the sawdust extractor

- ◆ Push the extraction nozzle **6** into the vacuum extraction duct until it is secured in place. Optional, depending on the diameter of the dust and sawdust extractor.
- ◆ Attach an approved dust and sawdust extractor to the extraction nozzle **6**.

-  Wear a dust mask.

Supporting the extraction function:

- ◆ Press the sawdust blower switch **7** to the "O" position.

Sawdust blowing function

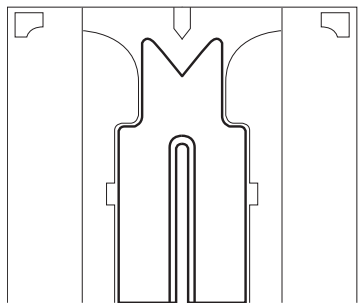
Switching the sawdust blowing function on:

- ◆ Press the sawdust blower switch **7** to the  position.

Fitting the splinter guard

The splinter guard **14** can prevent the tearing up of the surface when sawing wood. The splinter guard **14** can only be used with certain sawblade types without the sliding shoe **9** and only at a cutting angle of 0°.

- ◆ Press the splinter guard **14** into the footplate **8** from below (notch facing upwards).



Fitting the sliding shoe

When working on sensitive surfaces, you can fit the sliding shoe **9** on the baseplate **8** to prevent scratching the surface.

- ◆ Mount the sliding shoe **9** onto the front of the baseplate **8** and press it up at the back until it clicks into place on the baseplate **8**.
- ◆ To remove the sliding shoe **9**, unfasten it at the rear of the baseplate **8** and slide it off the front.

Use

Setting the cutting angle

- ◆ Undo the clamping screws **20** with the supplied hex key and pull the baseplate **8** to the rear.
- ◆ Adjust the cutting angle to 0°/15°/30°/45° with the aid of the markings on the baseplate **8**. Push the baseplate **8** forwards so that the locking pin engages in the toothing **21**.
- ◆ Retighten the clamping screws **20** with the hex key.

NOTE

- ▶ When using a cutting angle of 15°/30°/45°, the blade guard **13** and the splinter guard **14** must be detached beforehand.

Setting the stroke rate

The ON/OFF switch **2** has a variable speed control. Press the ON/OFF switch **2** lightly for a low speed. Increasing the pressure increases the speed.

NOTE

- ▶ The integrated motor brake ensures rapid stoppage.

Adjusting the pendulum stroke

- ◆ You can use the pendulum stroke switch **10** to adjust the pendulum movement of the saw blade **13**. You can achieve fine, clean-cut edges without pendulum movement (setting "0"). Deactivate pendulum movement when working on thin workpieces. You can achieve an increasingly fast work rate if the pendulum stroke is activated (settings 1-3).

Switching on/off

Switching the appliance on:

- ◆ Push the safety lock-out **1** to the left or right and keep it pressed.
- ◆ Press the ON/OFF switch **2**.
Once the saw is running, you can release the safety lock-out **1**. The working light **19** illuminates when the ON/OFF switch **2** is depressed lightly or completely. This provides illumination of the work area in poor lighting conditions.

Switching the appliance off:

Release the ON/OFF switch **2**.

Maintenance and cleaning



WARNING! RISK OF INJURY! Always switch the appliance off and remove the battery before carrying out any work on the appliance.

- The appliance must always be kept clean, dry and free from oil or grease.
- Use a soft, dry cloth to clean the housing.
- If a lithium-ion battery is to be stored for an extended period, the charge level should be checked regularly. The optimum charge level is between 50% and 80%. The optimum storage environment is cool and dry.
- Clean the appliance after completing your sawing work.
- Remove any dirt (e.g. sawdust). If necessary, clean the saw blade mount with a brush or compressed air.

Kompernass Handels GmbH warranty

Dear Customer,

This appliance has a 3-year warranty valid from the date of purchase. If this product has any faults, you, the buyer, have certain statutory rights. Your statutory rights are not restricted in any way by the warranty described below.

Warranty conditions

The validity period of the warranty starts from the date of purchase. Please keep your original receipt in a safe place. This document will be required as proof of purchase.

If any material or production fault occurs within three years of the date of purchase of the product, we will either repair or replace the product for you at our discretion. This warranty service is dependent on you presenting the defective appliance and the proof of purchase (receipt) and a short written description of the fault and its time of occurrence.

If the defect is covered by the warranty, your product will either be repaired or replaced by us. The repair or replacement of a product does not signify the beginning of a new warranty period.

Warranty period and statutory claims for defects

The warranty period is not prolonged by repairs effected under the warranty. This also applies to replaced and repaired components. Any damage and defects present at the time of purchase must be reported immediately after unpacking. Repairs carried out after expiry of the warranty period shall be subject to a fee.

Scope of the warranty

This appliance has been manufactured in accordance with strict quality guidelines and inspected meticulously prior to delivery.

The warranty covers material faults or production faults. The warranty does not extend to product parts subject to normal wear and tear or fragile parts such as switches, batteries, baking moulds or parts made of glass.

The warranty does not apply if the product has been damaged, improperly used or improperly maintained. The directions in the operating instructions for the product regarding proper use of the product are to be strictly followed. Uses and actions that are discouraged in the operating instructions or which are warned against must be avoided.

This product is intended solely for private use and not for commercial purposes. The warranty shall be deemed void in cases of misuse or improper handling, use of force and modifications/repairs which have not been carried out by one of our authorised Service centres.

Warranty claim procedure

To ensure quick processing of your case, please observe the following instructions:

- Please have the till receipt and the item number (e.g. IAN 12345) available as proof of purchase.
- You will find the item number on the type plate, an engraving on the front page of the instructions (bottom left), or as a sticker on the rear or bottom of the appliance.
- If functional or other defects occur, please contact the service department listed either by **telephone** or by **e-mail**.

- You can return a defective product to us free of charge to the service address that will be provided to you. Ensure that you enclose the proof of purchase (till receipt) and information about what the defect is and when it occurred.



You can download these instructions along with many other manuals, product videos and software on www.lidl-service.com.

Service

⚠ WARNING!

- ▶ Have the power tool repaired by the service centre or a qualified electrician and only using genuine replacement parts. This will ensure that the safety of the appliance is maintained.
- ▶ Always ensure that the power plug or the mains cable is replaced only by the manufacturer of the appliance or by an approved customer service provider. This will ensure that the safety of the appliance is maintained.

GB Service Great Britain

Tel.: 0871 5000 720 (£ 0.10/Min.)

E-Mail: kompernass@lidl.co.uk

IAN 279504

Importer

Please note that the following address is not the service address. Please contact the service address provided.

KOMPERNASS HANDELS GMBH

BURGSTRASSE 21

44867 BOCHUM

GERMANY

www.kompernass.com

Disposal



The packaging is made from environmentally friendly material and can be disposed of at your local recycling plant.



Do not dispose of power tools in your normal household waste!

European Directive 2012/19/EU requires that worn-out power tools be collected separately and recycled in an environmentally compatible manner.



Do not dispose of batteries in your normal household waste!

Defective or worn-out rechargeable batteries must be recycled according to Directive 2006/66/EC. Take the battery pack and/or appliance to a nearby collection facility.

Please consult your local authorities regarding suitable disposal of worn out power tools/battery packs.

Translation of the original Conformity Declaration

We, KOMPERNASS HANDELS GMBH, document officer: Mr. Semi Uguzlu, BURGSTR. 21, 44867 BOCHUM, GERMANY, hereby declare that this product complies with the following standards, normative documents and EC directives:

Machinery Directive

(2006/42/EC)

EC Low Voltage Directive

(2014/35/EU)

EMC (Electromagnetic Compatibility)

(2014/30/EU)

RoHS Directive

(2011/65/EU)*

*The manufacturer bears the full responsibility for compliance with this conformity declaration. The object of the declaration described above complies with the requirements of the Directive 2011/65/EU of the European Parliament and Council of 8 June 2011 on the limitations of use of certain dangerous substances in electrical and electronic appliances.

Applied harmonised standards:

EN 60745-1: 2009 / A11: 2010

EN 60745-2-11: 2010

EN 62233: 2008

EN 55014-1: 2006 / A2: 2011

EN 55014-2: 2015

EN 60335-1: 2012 / A11: 2014

EN 60335-2-29: 2004 / A2:2010

EN 61000-3-2: 2014

EN 61000-3-3: 2013

Type designation of machine:

Cordless jigsaw PSTDA 20-Li A1

Year of manufacture: 10-2016

Serial number: IAN 279504

Bochum, 30/09/2016



Semi Uguzlu

- Quality Manager -

We reserve the right to make technical changes in the context of further product development.

Ordering a replacement battery

If you want to order a replacement battery for your appliance, you can do so easily via the Internet on www.kompernass.com or by telephone.

The price of the replacement battery is €20, including VAT and shipping. Due to limited stocks, this item may sell out in a relatively short time.



Online ordering

To order a replacement battery from the Accessories Shop:

- Use your Internet browser to visit www.kompernass.com.
- Click on the corresponding flag on the right hand side at the bottom of the page to select the desired country and language.
- Click on the tab "Accessory Shop" and then select the appropriate replacement battery under the heading "Topseller".
- After you have placed the rechargeable battery in the shopping basket, click the "Checkout" button and follow the on-screen instructions to complete the ordering process.

NOTE

- ▶ Online ordering of replacement parts is not possible in all countries. In this case, please contact the Service hotline.
- The promotion is limited to one battery per customer/appliance and also to a timeline of two months after the promotion period. Thereafter, the replacement battery can be ordered as a replacement part under other conditions.

Telephone ordering

GB Service Great Britain

Tel.: 0871 5000 720 (£ 0.10/Min.)

E-Mail: kompernass@lidl.co.uk

To ensure that your order is processed swiftly, have the article number of your appliance to hand (e.g. IAN 279504) in case of questions. The article number can be found on the type plate or the title page of these instructions.

Spis treści

Wstęp	14
Użytkowanie zgodne z przeznaczeniem	14
Wyposażenie	14
Zakres dostawy	14
Dane techniczne	14
Ogólne wskazówki bezpieczeństwa dla elektronarzędzi	15
1. Bezpieczeństwo na stanowisku pracy	16
2. Bezpieczeństwo elektryczne	16
3. Bezpieczeństwo osób	16
4. Użytkowanie i obsługa elektronarzędzia	17
5. Stosowanie i obsługa narzędzia akumulatorowego	17
6. Serwis	18
Szczegółowe wskazówki bezpieczeństwa dotyczące wyrzynarek	18
Zasady bezpieczeństwa użycia ładowarek	18
Oryginalne akcesoria i urządzenia dodatkowe	18
Informacje dotyczące brzeszczotów	18
Przed uruchomieniem	19
Ładowanie akumulatora (patrz rys. A)	19
Wkładanie / wyjmowanie akumulatora z urządzenia	19
Sprawdzanie stanu naładowania akumulatora	19
Uruchomienie	19
Montaż / wymiana brzeszczotu	19
Mocowanie osłony	20
Montaż ogranicznika równoległego	20
Podłączanie odciągu wiórów	20
Funkcja wydmuchu wiórów	20
Montaż ochrony przed rozzerwaniem	20
Montaż stopy ślizgowej	20
Obsługa	20
Ustawianie kąta cięcia	20
Ustawianie liczby skoków	21
Ustawianie skoku wahadłowego	21
Włączanie / wyłączanie	21
Konserwacja i czyszczenie	21
Gwarancja Kompernaß Handels GmbH	22
Serwis	23
Importer	23
Utylizacja	24
Tłumaczenie oryginalnej deklaracji zgodności	25
Zamawianie dodatkowego akumulatora	26
Zamawianie online	26
Zamawianie telefoniczne	26

AKUMULATOROWA WYRZY- NARKA PSTDA 20-Li A1

Wstęp

Gratulujemy zakupu nowego urządzenia. Wybrany produkt charakteryzuje się wysoką jakością. Instrukcja obsługi stanowi część niniejszego produktu. Zawiera ona ważne informacje na temat bezpieczeństwa, użytkowania i utylizacji. Przed rozpoczęciem użytkowania produktu należy zapoznać się ze wszystkimi informacjami dotyczącymi obsługi i bezpieczeństwa. Produkt należy użytkować wyłącznie zgodnie z zamieszczonym tu opisem oraz w podanym zakresie zastosowań. W przypadku przekazania urządzenia osobie trzeciej należy dołączyć do niego również całą dokumentację.

Użytkowanie zgodne z przeznaczeniem

Urządzenie przeznaczone jest do cięcia po linii prostej i krzywej, a także do cięcia ukosowego do 45° kanciastych przedmiotów z tworzywa sztucznego, drewna oraz z metali lekkich. Urządzenie przeznaczone jest wyłącznie do zastosowań prywatnych, w suchych pomieszczeniach. Należy stosować się do zaleceń producenta, dotyczących stosowanych typów brzeszczotów. Jakikolwiek inne użycie lub modyfikacje urządzenia uważane są za niezgodne z przeznaczeniem i niosą za sobą poważne niebezpieczeństwo wypadku. Producent nie ponosi żadnej odpowiedzialności za szkody powstałe w wyniku użycia urządzenia w sposób niezgodny z jego przeznaczeniem.

Wypożyczenie

- 1 Blokada włącznika/wyłącznika
- 2 Włącznik/wyłącznik
- 3 Uchwyt
- 4 Przycisk odblokowania akumulatora
- 5 Akumulator
- 6 Króciec odciągu
- 7 Przełącznik wydmuchu wiórów
- 8 Podstawa
- 9 Stopa ślizgowa (demontowalna)
- 10 Przełącznik ruchu wahadłowego brzeszczotu
- 11 Ogranicznik równoległy
- 12 Rolka prowadząca
- 13 Brzeszczot

- 14 Ochrona przed rozerwaniem powierzchni materiału
- 15 Otwory do wsuwania ogranicznika (wraz ze śrubą mocującą)
- 16 Kabłąk ochronny
- 17 Uchwyt szybkomocujący
- 18 Osłona
- 19 Oświetlenie robocze
- 20 Śruby mocujące
- 21 Zazębianie
- 22 Przycisk stanu naładowania akumulatora
- 23 Wskaźnik LED stanu naładowania akumulatora
- 24 Szybka ładowarka
- 25 Czerwona dioda kontrolna ładowania
- 26 Zielona dioda kontrolna ładowania

Zakres dostawy

- 1 akumulatorowa wyrzynarka wraz z króćcem odciągu i adaptery
- 1 szybka ładowarka do akumulatora
- 1 akumulator
- 1 ogranicznik równoległy
- 2 brzeszczoty do obróbki drewna
- 1 brzeszczot do obróbki metalu
- 1 klucz imbusowy
- 1 ochrona przed rozerwaniem powierzchni materiału
- 1 instrukcja obsługi

Dane techniczne

Akumulatorowa wyrzynarka:

PSTDA 20-Li A1

- Napięcie znamionowe: 20 V \equiv (prąd stały)
- Znamionowa liczba skoków
- na biegu jałowym: n_0 0 - 2700 min⁻¹
- Długość skoku: 20 mm
- Skok wahadłowy: 3 stopnie i ustawienie cięcia precyzyjnego
- Głębokość cięcia: drewno / aluminium / metal: 80/12/5 mm
- Cięcie: 0° - 15° - 30° - 45°
w lewo/w prawo

Do pracy z narzędziem używać tylko następującego akumulatora: PAP 20 A1

- Typ: litowy
- Napięcie znamionowe: 20 V \equiv (prąd stały)
- Pojemność: 2,0 Ah
- Ogniwa: 5

Do ładowania akumulatora narzędzia stosować tylko następującą szybką ładowarkę: PLG 20 A1

Wejście:

Napięcie znamionowe: 230 - 240 V ~, 50 Hz
(prąd przemienny)

Znamionowy pobór mocy: 65 W

Bezpiecznik (wewnętrzny): 3,15 A 

WYJŚCIE / Output:

Napięcie znamionowe: 21,5 V --- (prąd stały)

Prąd znamionowy: 2,4 A

Czas ładowania: ok. 60 min

Klasa ochrony: II /  (podwójna izolacja)

Wartość emisji hałasu:

Wartość pomiarowa hałasu określona zgodnie z normą EN 60745. Korygowany współczynnikiem A poziom hałasu elektronarzędzia wynosi z reguły:

Poziom ciśnienia akustycznego:

$$L_{PA} = 80 \text{ dB (A)}$$

Niepewność pomiarów K:

$$K_{PA} = 3 \text{ dB}$$

Poziom mocy akustycznej:

$$L_{WA} = 91 \text{ dB (A)}$$

Niepewność pomiarów K:

$$K_{WA} = 3 \text{ dB}$$

Nosić ochronniki słuchu!

Całkowite wartości drgań:

(suma wektorów trzech kierunków) ustalone zgodnie z normą EN 60745:

Piłowanie płyt wiórowych: $a_{h,B} = 5,9 \text{ m/s}^2$

Niepewność pomiarów K = 1,5 m/s^2

Piłowanie blachy: $a_{h,M} = 7,2 \text{ m/s}^2$

Niepewność pomiarów K = 1,5 m/s^2

WSKAZÓWKA

- ▶ Poziom drgań podany w tych instrukcjach został zmierzony zgodnie z metodą pomiarową, określoną w normie EN 60745 i może być użyty do porównywania urządzeń. Podana wartość emisji drgań może posłużyć także do wstępnej oceny stopnia narażenia.

⚠ OSTRZEŻENIE!

- ▶ Poziom drgań będzie zmieniał się w zależności od rodzaju zastosowania elektronarzędzia i w niektórych przypadkach może przekraczać wartość podaną w niniejszych instrukcjach. Narażenie na drgania mogłoby zostać nieprawidłowo ocenione, gdyby elektronarzędzie było regularnie wykorzystywane w taki sposób. Należy starać się, aby obciążenie drganiami było jak najmniejsze. Przykładowe środki mające na celu zmniejszenie narażenia na drgania to noszenie rękawic w trakcie korzystania z narzędzia i ograniczenie czasu pracy. Należy przy tym uwzględnić wszystkie części cyklu pracy (na przykład czas, przez jaki elektronarzędzie pozostaje wyłączone, oraz czas, w którym jest ono wprawdzie włączone, ale pracuje bez obciążenia).



Ogólne wskazówki bezpieczeństwa dla elektronarzędzi

⚠ OSTRZEŻENIE!

- ▶ Przeczytaj wszystkie wskazówki bezpieczeństwa oraz instrukcje. Nieprzestrzeganie poniższych wskazówek bezpieczeństwa oraz instrukcji może być przyczyną porażenia prądem elektrycznym, pożaru i/lub ciężkich obrażeń ciała.

Wszystkie wskazówki bezpieczeństwa oraz instrukcje należy zachować do późniejszego wykorzystania.

Użyte we wskazówkach bezpieczeństwa pojęcie „elektonarzędzie” dotyczy narzędzi elektrycznych zasilanych z sieci (przez kabel sieciowy) oraz narzędzi elektrycznych zasilanych akumulatorami (bez kabla sieciowego).

1. Bezpieczeństwo na stanowisku pracy

- a) Stanowisko pracy należy utrzymywać w czystości i dbać o jego dobre oświetlenie. Nieporządek i niedostateczne oświetlenie mogą być przyczyną wypadków.
- b) Nigdy nie używaj elektronarzędzia w otoczeniu zagrożonym wybuchem, w którym znajdują się łatwopalne ciecze, gazy lub pyły. Elektronarzędzia wytwarzają iskry, które mogą spowodować zapłon pyłu lub oparów.
- c) W czasie użytkowania elektronarzędzia zwróć uwagę na to, aby w pobliżu nie przebywały dzieci ani żadne inne osoby. W przypadku odwrócenia uwagi od pracy możesz stracić kontrolę nad urządzeniem.

2. Bezpieczeństwo elektryczne

- a) Wtyk przyłączeniowy elektronarzędzia musi pasować do gniazda zasilania. Dokonywanie zmian we wtyku jest zabronione. Nigdy nie używaj adapterów wtyków w połączeniu z elektronarzędziami mającymi uziemienie. Oryginalne wtyki oraz pasujące gniazda wtykowe zmniejszają ryzyko porażenia prądem elektrycznym.
- b) Unikaj kontaktu z uziemionymi powierzchniami, takimi jak rury, grzejniki, kuchenki lub lodówki. Zetknięcie się z uziemionym przedmiotem zwiększa ryzyko porażenia prądem elektrycznym.
- c) Nigdy nie narażaj elektronarzędzia na działanie deszczu lub wilgoci. Przedostanie się wody do wnętrza elektronarzędzia zwiększa ryzyko porażenia prądem elektrycznym.
- d) Nigdy nie chwytaj za kabel, np. w celu przeniesienia bądź zawieszenia elektronarzędzia lub wyciągnięcia wtyku z gniazda zasilania. Chroni kabel przed źródłami gorąca, olejem, ostrymi krawędziami lub poruszającymi się częściami urządzenia. Uszkodzone lub pokręcone kable zwiększają ryzyko porażenia prądem elektrycznym.

- e) Podczas pracy z elektronarzędziem na zewnątrz stosuj wyłącznie przedłużacze, które są dopuszczone również do użytku na zewnątrz pomieszczeń. Stosowanie przedłużacza przystosowanego do pracy na zewnątrz pomieszczeń zmniejsza ryzyko porażenia prądem elektrycznym.
- f) Jeśli nie da się uniknąć pracy z elektronarzędziem w wilgotnym otoczeniu, zastosuj wyłącznik różnicowo-prądowy. Zastosowanie wyłącznika różnicowo-prądowego zmniejsza ryzyko porażenia prądem elektrycznym.

3. Bezpieczeństwo osób

- a) Zawsze zachowuj ostrożność i uważaj na to, co robisz. Praca z elektronarzędziem wymaga także zachowania zasad zdrowego rozsądku. Nie korzystaj z elektronarzędzia w przypadku przemęczenia, bycia pod wpływem narkotyków, alkoholu lub leków. Nawet chwila nieuwagi podczas korzystania z elektronarzędzia może spowodować poważne obrażenia ciała.
- b) W czasie pracy noś środki ochrony indywidualnej i obowiązkowo okulary ochronne. Noszenie środków ochrony indywidualnej, np. maski przeciwpyłowej, antypoślizgowego obuwia roboczego, kasku lub ochronników słuchu - w zależności od rodzaju zastosowania elektronarzędzia - zmniejsza ryzyko odniesienia obrażeń.
- c) Unikaj sytuacji prowadzących do przypadkowego uruchomienia urządzenia. Przed podłączeniem do zasilania sieciowego i / lub akumulatora, przed chwyceniem lub przeniesieniem urządzenia upewnij się, czy elektronarzędzie jest wyłączone. Trzymanie palca na wyłączniku w trakcie przenoszenia elektronarzędzia lub podłączenie elektronarzędzia do zasilania z wciśniętym już wyłącznikiem może doprowadzić do wypadku.
- d) Przed włączeniem elektronarzędzia usuń wszystkie przyrządy regulacyjne lub klucze. Narzędzie lub klucz pozostawiony w obracającej się części urządzenia może spowodować obrażenia ciała.

- e) Unikaj nienaturalnej postawy ciała. Zadbaj o utrzymanie stabilnej postawy i przez cały czas utrzymywaj równowagę. Pozwoli to na lepszą kontrolę elektronarzędzia w przypadku nieoczekiwanych sytuacji.
- f) Noś odpowiednią odzież. Nie nosić luźnych ubrań ani biżuterii. Włosy, odzież i rękawice trzymaj z dala od ruchomych części urządzenia. Ruchome części urządzenia mogą pochwytać luźną, odstającą odzież, biżuterię lub długie włosy.
- g) Jeżeli możliwe jest podłączenie odciągu i zbiornika pyłu, upewnij się, że są one podłączone i używane w sposób prawidłowy. Zastosowanie odciągu pyłowego może zmniejszyć zagrożenia związane z zapyleniem.

4. Użytkowanie i obsługa elektronarzędzia

- a) Nie przeciążaj urządzenia. Elektronarzędzia używać tylko do ściśle określonego zakresu zastosowania. Z odpowiednim elektronarzędziem pracuje się lepiej i bezpieczniej w podanym zakresie mocy.
- b) Nie używaj elektronarzędzia z uszkodzonym wyłącznikiem. Elektronarzędzie, którego nie można włączyć ani wyłączyć, stanowi zagrożenie i musi zostać niezwłocznie przekazane do naprawy.
- c) Przed dokonaniem ustawień urządzenia, zmianą akcesoriów lub odłożeniem urządzenia na bok wyciągnij wtyk z gniazda zasilania i/lub wyjmij akumulator. Uniemożliwi to przypadkowe uruchomienie elektronarzędzia.
- d) Nieużywane elektronarzędzia przechowuj w miejscu niedostępnym dla dzieci. Nie pozwalaj na używanie urządzenia przez osoby, które nie wiedzą, jak się z nim obchodzić lub nie przeczytały niniejszych instrukcji. Elektronarzędzia w rękach osób niedoświadczonych mogą być niebezpieczne.
- e) Elektronarzędzia wymagają starannej pielęgnacji. Sprawdź, czy ruchome elementy działają prawidłowo i nie blokują się, czy żaden z elementów nie pękł lub nie jest uszkodzony w stopniu uniemożliwiającym prawidłowe działanie elektronarzędzia.

Przed użyciem urządzenia zleć naprawę uszkodzonych części. Przyczyną wielu wypadków z elektronarzędziami jest ich niewłaściwa konserwacja.

- f) Dbaj o to, aby narzędzia skrawające były ostre i czyste. Zadbane narzędzia skrawające z ostrymi ostrzami rzadziej się blokują i pozwalają się lepiej prowadzić.
- g) Korzystaj z elektronarzędzia, akcesoriów, narzędzi roboczych itd. zgodnie z tymi instrukcjami. Uwzględnij przy tym warunki pracy oraz specyfikę wykonywanej czynności. Używanie elektronarzędzi do celów innych, niż przewiduje to ich przeznaczenie, może doprowadzić do niebezpiecznych sytuacji.

5. Stosowanie i obsługa narzędzia akumulatorowego

- a) Akumulatory ładuj wyłącznie za pomocą ładowarek zalecanych przez producenta. Używanie ładowarki do ładowania akumulatorów innych niż te, do których jest ona przewidziana, stwarza zagrożenie pożarowe.
- b) Stosuj zawsze akumulatory przewidziane dla określonego elektronarzędzia. Używanie innych akumulatorów może doprowadzić do obrażeń i niebezpieczeństwa pożaru.
- c) Nieużywany akumulator przechowuj z dala od spinaczy biurowych, monet, kluczy, gwoździ, śrub lub innych drobnych metalowych przedmiotów, które mogłyby powodować zwarcie styków. Zwarcie między stykami akumulatora może spowodować oparzenia lub pożar.
- d) Przy nieprawidłowym użytkowaniu z akumulatora może wydostać się ciecz. Unikaj kontaktu z tą cieczą. W razie przypadkowego kontaktu zmyj wodą. W przypadku przedostania się cieczy do oczu skorzystaj dodatkowo z pomocy lekarza. Wydostająca się z akumulatora ciecz może powodować podrażnienia skóry lub poparzenia.



PRZESTROGA! NIEBEZPIECZEŃSTWO WYBUCHU! Nigdy nie ładuj baterii jednorazowych.



Chroń akumulator przed wysoką temperaturą, np. przed dłuższym działaniem promieni słonecznych, ognia, wody i wilgoci.



Niebezpieczeństwo wybuchu.



6. Serwis

- a) Naprawę urządzenia zlecaj tylko wykwalifikowanemu specjalście i stosuj do tego oryginalne części zamienne. Dzięki temu zapewnione jest bezpieczeństwo użytkowania elektronarzędzia.

Szczegółowe wskazówki bezpieczeństwa dotyczące wyrzynarek

- Podczas prac, w trakcie których elektronarzędzie może natrafić na ukryte przewody elektryczne lub na własny kabel zasilający, elektronarzędzie należy zawsze trzymać za izolowane uchwyty. Kontakt z przewodem przewodzącym prąd może spowodować pojawienie się napięcia również w metalowych elementach urządzenia i spowodować porażenie prądem.

Zasady bezpieczeństwa użycia ładowarek

- To urządzenie może być używane przez dzieci od 8. roku życia oraz przez osoby o zmniejszonych zdolnościach fizycznych, sensorycznych lub umysłowych lub też osoby nieposiadające odpowiedniego doświadczenia i/lub wiedzy, wyłącznie pod nadzorem lub po przeszkoleniu w zakresie bezpiecznego użytkowania urządzenia oraz potencjalnych zagrożeń. Dzieciom nie wolno bawić się urządzeniem. Dzieciom bez opieki osób dorosłych nie wolno czyścić ani konserwować urządzenia.

- W przypadku uszkodzenia kabla zasilającego należy zlecić jego wymianę producentowi, w punkcie serwisowym lub osobie posiadającej odpowiednie kwalifikacje. Dzięki temu unikniemy poważnych zagrożeń.



Ładowarka nadaje się tylko do użytku w zamkniętych pomieszczeniach.

⚠ OSTRZEŻENIE!

- Jeśli konieczna jest wymiana przewodu sieciowego, powinna ona zostać wykonana przez producenta lub jego przedstawiciela, aby uniknąć zagrożeń bezpieczeństwa.

Oryginalne akcesoria i urządzenia dodatkowe

- Używaj wyłącznie akcesoriów i urządzeń dodatkowych, które zostały wymienione w instrukcji obsługi lub których mocowanie jest kompatybilne z urządzeniem.

Informacje dotyczące brzeszczotów

Wyposażenie podstawowe wyrzynarki Parkside zawiera już brzeszczoty do głównych zastosowań przy obróbce drewna i metalu.

- 2 brzeszczoty do cięcia drewna
- 1 brzeszczot do metali lekkich do 5 mm

WSKAZÓWKA

- Możesz jednak używać każdego innego brzeszczotu o pasującym mocowaniu do chwytu (do brzeszczotów typu T).

Typ brzeszczotu

odpowiedni	nieodpowiedni

Przed uruchomieniem

Ładowanie akumulatora (patrz rys. A)

⚠ PRZESTROGA!

- ▶ Przed wyjęciem wzgl. włożeniem akumulatora do ładowarki należy zawsze wyciągnąć wtyk z gniazda.

WSKAZÓWKA

- ▶ Nigdy nie ładuj akumulatora, jeśli temperatura otoczenia jest niższa niż 10°C lub wyższa niż 40°C. W przypadku dłuższego przechowywania akumulatora litowego należy regularnie kontrolować jego poziom naładowania. Optymalny stan naładowania wynosi pomiędzy 50% a 80%. Narzędzie należy przechowywać w suchym i chłodnym miejscu, w temperaturze otoczenia między 0°C a 50°C.
- ◆ Włóż akumulator **5** do szybkiej ładowarki **24** (patrz rys. A).
- ◆ Włóż wtyk sieciowy do gniazda zasilania. Dioda kontrolna **25** świeci się w kolorze czerwonym.
- ◆ Zielona dioda kontrolna **26** sygnalizuje zakończenie ładowania i gotowość akumulatora **5** do użytku.

⚠ UWAGA!

- ◆ Jeśli czerwona dioda LED **25** zacznie migać, akumulator **5** się przegrzał i nie można go naładować.
- ◆ Jeśli czerwona i zielona dioda kontrolna LED **25** **26** migają razem, wtedy akumulator **5** jest uszkodzony.
- ◆ Wsuń akumulator **5** do urządzenia.
- Nigdy nie ładuj tego samego akumulatora po raz drugi bezpośrednio po zakończeniu jego szybkiego ładowania. Może to doprowadzić do przegrzania akumulatora i zmniejszenia jego żywotności.
- ◆ Między kolejnymi ładowaniami wyłączaj zawsze ładowarkę na co najmniej 15 minut. W tym celu wyciągnij wtyk z gniazda.

Wkładanie / wyjmowanie akumulatora z urządzenia

Wkładanie akumulatora:

- ◆ Pozwól, aby akumulator **5** zatrzasnął się w urządzeniu.

Wyjmowanie akumulatora:

- ◆ Naciśnij przycisk odblokowania **4** i wyjmij akumulator.

Sprawdzanie stanu naładowania akumulatora

- ◆ W celu sprawdzenia stanu naładowania akumulatora naciśnij przycisk stanu naładowania **22** (patrz rysunek główny). Stan naładowania wskazują diody LED **23** w następujący sposób:
- ◆ CZERWONY / POMARAŃCZOWY / ZIEŁONY = maksymalny poziom naładowania
CZERWONY / POMARAŃCZOWY = średni poziom naładowania
CZERWONY = słabe naładowanie - naładować akumulator

Uruchomienie

Montaż / wymiana brzeszczotu

Przed rozpoczęciem jakichkolwiek prac przy elektronarzędziu (np. konserwacja, wymiana narzędzia itp.) oraz na czas jego transportu i przechowywania wyjmij akumulator z elektronarzędzia.

W przypadku niezamierzonego naciśnięcia włącznika/wyłącznika istnieje niebezpieczeństwo obrażeń.

- ◆ Ściśnij osłonę **18** na wysokości zewnętrznych uchwytów i pociągnij, zdejmując ją do przodu.
- ◆ Obróć uchwyt szybkoocujący **17** i przytrzymaj go obrócony.
- ◆ Wciśnij dany brzeszczot aż do oporu w uchwyt szybkoocujący **17**.
- ◆ Puść uchwyt szybkoocujący **17**. Musi on powrócić do swojego położenia początkowego. Teraz brzeszczot jest zablokowany.
- **UWAGA!** Zęby brzeszczotu muszą przy tym wskazywać do przodu (patrz rozkładana strona)!

Mocowanie osłony

Zamontuj osłonę **18**, zanim podłączysz do urządzenia odciąg pyłu.

- ◆ Załóż osłonę **18** na urządzenie w taki sposób, aby oba zewnętrzne uchwyty zatrzaskowały się w zagłębieniach obudowy.
- ◆ Zdejmij osłonę **18** do prac prowadzonych bez odciągu pyłu oraz podczas wykonywania cięć ukośnych. W tym celu ściśnij osłonę **18** na wysokości zewnętrznych uchwytów i pociągnij, zdejmując ją do przodu.

Montaż ogranicznika równoległego

Ogranicznik równoległy **11** można zamocować po lewej lub po prawej stronie urządzenia.

- ◆ Odkręć obie śruby mocujące otworów do wsuwania ogranicznika **15**.
- ◆ Wsuń ogranicznik równoległy **11** w otwory do wsuwania ogranicznika **15**.
- ◆ Ponownie przykręć obie śruby mocujące.

Podłączanie odciagu wiórów

- ◆ Włóż króciec odciągu **6** w kanał odciągu, aż się zablokuje.
Do wyboru zależnie od średnicy systemu odciągu pyłu i wiórów.
- ◆ Do króćca odciągu **6** podłącz odpowiednio dopuszczony odciąg pyłu i wiórów.


■  Noś maskę przeciwpyłową.

Wyłączenie funkcji odciagu wiórów:

- ◆ Przesuń przełącznik wydmuchu wiórów **7** na pozycję „O”.

Funkcja wydmuchu wiórów

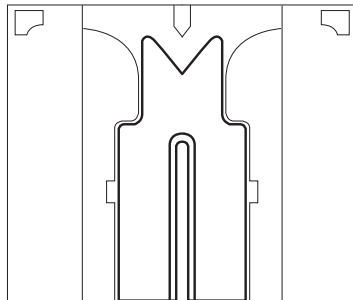
Włączanie funkcji wydmuchu wiórów:

- ◆ Przesuń przełącznik wydmuchu wiórów **7** na pozycję .

Montaż ochrony przed rozerwaniem

Ochrona przed rozerwaniem **14** może zapobiegać wyrwaniu powierzchni podczas piłowania drewna. Ochrona przed rozerwaniem **14** może być stosowana wyłącznie w przypadku określonych typów brzeszczotów, bez stopy ślizgowej **9** i przy kącie cięcia 0° .

- ◆ Wciśnij ochronę przed rozerwaniem **14** od dołu w podstawę **8** (nacięcie do góry).



Montaż stopy ślizgowej

Podczas obróbki wrażliwych powierzchni można zamontować stopę ślizgową **9** na płytę podstawy **8**, by zapobiec zadrapaniu powierzchni.

- ◆ Zaczep stopę ślizgową **9** z przodu podstawy **8** i naciśnij z tyłu do góry, aż zatrzasknie się na podstawie **8**.
- ◆ Aby zdjąć stopę ślizgową **9**, odłóż ją w tylnej części podstawy **8** i zdejmij do przodu.

Obsługa

Ustawianie kąta cięcia

- ◆ Odkręć śruby mocujące **20** dotychczasowym kluczem imbusowym i wyciągnij podstawę **8** do tyłu.
- ◆ Ustaw kąt cięcia $0^\circ / 15^\circ / 30^\circ / 45^\circ$ korzystając z oznaczeń znajdujących się na podstawie **8**. Wsuń podstawę **8** do przodu, aż w ząbieniu **21** zatrzasknie się trzpień blokujący.
- ◆ Dokręć śruby mocujące **20** kluczem imbusowym.

WSKAZÓWKA

- ▶ Przy kącie cięcia wynoszącym 15°/30°/45°, konieczne jest uprzednie zdemontowanie osłony 13 oraz ochrony przed rozzerwaniem 14.

Ustawianie liczby skoków

Włącznik/wyłącznik 2 wyposażony jest w zmienną regulację prędkości. Lekkie naciśnięcie włącznika / wyłącznika 2 powoduje pracę z niską prędkością obrotową. Wraz ze wzrostem siły nacisku na przycisk prędkość obrotowa wzrasta.

WSKAZÓWKA

- ▶ Wbudowany hamulec silnikowy zapewnia szybkie zatrzymanie.

Ustawianie skoku wahadłowego

- ◆ Przełącznikiem ruchu wahadłowego 10 można ustawiać ruch wahadłowy brzeszczotu 13. Bez ruchu wahadłowego (pozycja „0”) uzyskuje się łagodne i czyste krawędzie cięcia. W przypadku cienkich przedmiotów należy wyłączyć funkcję skoków wahadłowych. Przy włączonej funkcji skoków wahadłowych (pozycja 1-3) uzyskuje się szybszy postęp w pracy.

Włączanie / wyłączenie

Włączanie urządzenia:

- ◆ Naciśnij blokadę włączania 1 w lewo lub w prawo i przytrzymaj ją wciśniętą.
- ◆ Naciśnij włącznik/wyłącznik 2. Gdy urządzenie uruchomi się, można zwolnić blokadę włącznika 1. Oświetlenie robocze 15 świeci się przy lekko lub całkowicie wciśniętym włączniku/wyłączniku 2. Powoduje w ten sposób oświetlenie miejsca pracy w warunkach słabego oświetlenia.

Wyłączenie urządzenia:

- Zwolnij włącznik/wyłącznik 2.

Konserwacja i czyszczenie



OSTRZEŻENIE! NIEBEZPIECZEŃSTWO OBRAŻEŃ! Przed rozpoczęciem wszelkich prac przy urządzeniu należy je wyłączyć i wyjąć akumulator.

- Urządzenie musi być zawsze czyste, suche i niezabrudzone olejem ani smarem.
- Do czyszczenia obudowy przyrządu używaj suchej szmatki.
- W przypadku dłuższego przechowywania akumulatora litowego należy regularnie kontrolować jego poziom naładowania. Optymalny stan naładowania wynosi pomiędzy 50% a 80%. Optymalne warunki przechowywania to chłodne i suche miejsce.
- Po zakończeniu pracy z użyciem wyrzynarki wyczyść ją.
- Usuń zanieczyszczenia (np. wióry). W razie potrzeby oczyść uchwyt brzeszczotu pędzlem lub przez przedmuchiwanie sprężonym powietrzem.

Gwarancja Kompernaß Handels GmbH

Szanowny Kliencie,

To urządzenie objęte jest 3-letnią gwarancją, licząc od daty zakupu. W przypadku wad tego produktu, masz gwarantowane ustawowo prawa w stosunku sprzedawcy. Te ustawowe prawa nie są ograniczone przez nasze opisane poniżej warunki gwarancji.

Warunki gwarancji

Okres gwarancji rozpoczyna się od daty zakupu. Należy zachować oryginalny paragon (dowód zakupu) na przyszłość. Ten dokument jest wymagany jako dowód zakupu.

Jeżeli w ciągu trzech lat od daty zakupu produktu ujawni się wada materiałowa lub produkcyjna, produkt zostanie wedle naszego uznania nieodpłatnie naprawiony lub wymieniony na nowy. Warunkiem spełnienia tego świadczenia gwarancyjnego jest dostarczenie uszkodzonego urządzenia wraz z dowodem zakupu (paragonem fiskalnym) oraz krótkim opisem, na czym polega wada oraz kiedy wystąpiła.

Jeżeli wada jest objęta naszą gwarancją, otrzymasz z powrotem naprawiony lub nowy produkt. Wykonanie naprawy lub wymiana produktu nie rozpoczyna biegu nowego okresu gwarancji.

Okres gwarancji i ustawowe roszczenia gwarancyjne

Wykonanie usługi gwarancyjnej nie przedłuża okresu gwarancji. Dotyczy to również wymienionych i naprawionych części. Wszelkie szkody i wady wykryte w chwili zakupu należy zgłosić bezpośrednio po rozpakowaniu urządzenia. Po upływie okresu gwarancji wszelkie naprawy są wykonywane odpłatnie.

Zakres gwarancji

Urządzenie zostało starannie wyprodukowane i poddane przed wysyłką skrupulatnej kontroli jakości.

Gwarancja dotyczy wad materiałowych lub produkcyjnych. Niniejsza gwarancja nie obejmuje części produktów, które są narażone na normalne zużycie, a zatem mogą być uważane za części ulegające zużyciu, ani uszkodzeń części łatwo łamliwych, np. przełączniki, akumulatory, formy do pieczenia lub części wykonane ze szkła.

Niniejsza gwarancja traci swoją ważność, jeśli produkt został uszkodzony, nie używano go prawidłowo lub nie serwisowano należycie. W celu zapewnienia prawidłowego stosowania produktu należy ściśle przestrzegać wszystkich instrukcji wymienionych w instrukcjach obsługi. Należy bezwzględnie unikać zastosowania oraz postępowania, których odradza się w instrukcji obsługi lub przed którymi się w niej ostrzega.

Produkt przeznaczony jest wyłącznie do użytku domowego, a nie do zastosowań komercyjnych. Niewłaściwe użytkowanie urządzenia, używanie go w sposób niezgodny z jego przeznaczeniem, użycie siły lub ingerencja w urządzenie, dokonywana poza naszymi autoryzowanymi punktami serwisowymi, powodują utratę gwarancji.

Realizacja zobowiązań gwarancyjnych

W celu zapewnienia szybkiego załatwienia sprawy, postępuj zgodnie z poniższymi wskazówkami:

- W przypadku wszelkich pytań przygotuj paragon fiskalny oraz numer artykułu (np. IAN 12345) jako dowód zakupu.
- Numer artykuł można znaleźć na grawerowanej tabliczce znamionowej, umieszczonej na stronie tytułowej instrukcji (poniżej po lewej) lub na naklejce z tyłu albo na spodzie.
- W przypadku wystąpienia błędów działania lub innych wad, prosimy o kontakt z odpowiednim działem serwisu **telefonicznie** lub **przez e-mail**.
- Zarejestrowany jako wadliwy produkt możesz wtedy wraz z dołączonym dowodem zakupu (paragonem) oraz opisem i datą wystąpienia usterki wysłać nieodpłatnie na przekazany wcześniej adres serwisu.



Na stronie www.lidl-service.com możesz pobrać te i wiele innych instrukcji, filmów o produktach oraz oprogramowanie.

Serwis

OSTRZEŻENIE!

- ▶ Naprawy urządzenia zlecaj wyłącznie serwisowi lub elektrykowi, stosując tylko oryginalne części zamienne. Zapewni to odpowiedni poziom bezpieczeństwa użytkowania urządzenia po naprawie.
- ▶ Wymianę wtyku lub kabla przewodu zasilającego powierzaj zawsze producentowi elektronarzędzia lub autoryzowanemu serwisowi. Zapewni to odpowiedni poziom bezpieczeństwa użytkowania urządzenia po naprawie.

 Serwis Polska
Tel.: 22 397 4996
E-Mail: kompnass@lidl.pl

IAN 279504

Importer

Pamiętaj, że poniższy adres nie jest adresem działu serwisowego. Skontaktuj się najpierw z odpowiednim punktem serwisowym.

KOMPERNASS HANDELS GMBH
BURGSTRASSE 21
44867 BOCHUM
GERMANY
www.kompnass.com

Utylizacja



Opakowanie urządzenia wykonane jest z materiałów przyjaznych dla środowiska naturalnego, które można oddać w lokalnych punktach zbiórki.



Urządzeń elektrycznych nie wolno wyrzucać razem z odpadami domowymi!

Zgodnie z dyrektywą europejską 2012/19/EU zużyte elektronarzędzia należy zbierać oddzielnie i poddawać procesowi odzysku z poszanowaniem zasad ochrony środowiska naturalnego.



Akumulatorów nie wolno wyrzucać razem z odpadami domowymi!

Uszkodzone lub zużyte akumulatory należy podać procesowi recyklingu zgodnie z dyrektywą 2006/66/EC. Akumulatory i/lub urządzenie należy oddać we właściwym punkcie zbiórki odpadów.

W celu uzyskania informacji na temat możliwości utylizacji zużytych narzędzi elektrycznych / akumulatorów należy skontaktować się z lokalnym urzędem gminy lub miasta.

Tłumaczenie oryginalnej deklaracji zgodności

My, KOMPERNASS HANDELS GMBH, osoba odpowiedzialna za sporządzenie dokumentacji: Semi Uguzlu, BURGSTR. 21, 44867 BOCHUM, NIEMCY, oświadczamy niniejszym, że produkt ten jest zgodny z następującymi normami, dokumentami normatywnymi oraz dyrektywami WE:

Dyrektywa maszynowa

(2006/42/EG)

Dyrektywa niskonapięciowa WE

(2014/35/EU)

Dyrektywa w sprawie kompatybilności elektromagnetycznej

(2014/30/EU)

Dyrektywa w sprawie stosowania substancji szkodliwych dla zdrowia (RoHS)

(2011/65/EU)*

*Wyłączną odpowiedzialność za wystawienie niniejszej deklaracji zgodności ponosi producent. Opisany powyżej przedmiot oświadczenia spełnia wymagania przepisów dyrektywy 2011/65/EU Parlamentu Europejskiego i Rady z 8 czerwca 2011 w sprawie ograniczenia stosowania określonych substancji niebezpiecznych w urządzeniach elektrycznych i elektronicznych.

Zastosowane normy zharmonizowane:

EN 60745-1: 2009 / A11: 2010

EN 60745-2-11: 2010

EN 62233: 2008

EN 55014-1: 2006 / A2: 2011

EN 55014-2: 2015

EN 60335-1: 2012 / A11: 2014

EN 60335-2-29: 2004 / A2:2010

EN 61000-3-2: 2014

EN 61000-3-3: 2013

Oznaczenie typu maszyny:

Akumulatorowa wyrzynarka PSTDA 20-Li A1

Rok produkcji: 10-2016

Numer seryjny: IAN 279504

Bochum, 30.09.2016




Semi Uguzlu

- dyrektor ds. jakości -

Zastrzegamy sobie prawo do wprowadzania zmian technicznych w ramach procesu udoskonalania urządzenia.

Zamawianie dodatkowego akumulatora

Jeśli chcesz zamówić dodatkowy akumulator do urządzenia, możesz to zrobić wygodnie przez Internet na stronie www.kompernass.com lub telefonicznie.

Cena akumulatora zapasowego wynosi 20 € z VAT i kosztem przesyłki. Artykuł ten może być po krótkim czasie niedostępny ze względu na niewielkie ilości zapasów magazynowych.



Zmawianie online

Aby zamówić zapasowy akumulator za pośrednictwem sklepu z akcesoriami:

- Wejdź za pomocą przeglądarki internetowej na stronę www.kompernass.com.
- Kliknij po prawej stronie na dole odpowiednią flagę, aby wybrać swój kraj i język.
- Następnie kliknij kartę „Sklep z akcesoriami”, a następnie w rubryce „Najczęściej kupowane” wybierz odpowiedni akumulator zapasowy do swojego urządzenia.
- Po włożeniu dodatkowego akumulatora do koszyka zakupowego kliknij przycisk „Kasa” i postępuj zgodnie z instrukcjami wyświetlanymi na ekranie, aby zakończyć proces zamawiania.

WSKAZÓWKA

- ▶ W niektórych krajach nie jest możliwe zamówienie części zamiennych online. W takim wypadku skontaktuj się z infolinią serwisową.
- Promocja jest ograniczona do jednego akumulatora na klienta / urządzenie oraz do jednego miesiąca po zakończeniu okresu promocyjnego. Po tym czasie akumulator będzie można w dalszym ciągu zamówić jako część zamienną na innych warunkach.

Zamawianie telefoniczne

- Ⓟ Serwis Polska
Tel.: 22 397 4996
E-Mail: kompernass@lidl.pl

Aby zapewnić szybką realizację zamówienia, prosimy przygotować sobie numer katalogowy przypisany do urządzenia (np. IAN 279504). Numer katalogowy znajduje się na tabliczce znamionowej lub na stronie tytułowej niniejszej instrukcji.

Turinys

Ižanga	28
Naudojimas pagal paskirtį	28
Dalys	28
Tiekiamas rinkinys	28
Techniniai duomenys	28
Elektrinių įrankių naudojimo bendrieji saugos nurodymai	29
1. Darbo vietos sauga	29
2. Elektros sauga	29
3. Žmonių sauga	30
4. Elektrinio įrankio naudojimas ir elgsena su juo	30
5. Akumuliatorinio įrankio naudojimas ir elgsena su juo	31
6. Klientų aptarnavimas	31
Specialieji saugos nurodymai dirbant su siaurapjūkliais	31
Kroviklių naudojimo saugos nurodymai	31
Originalūs priedai ir papildoma įranga	32
Informacija apie geležtes	32
Prieš pradėdant naudoti	32
Akumuliatoriaus bloko įkrovimas (žr. A paveikslėlių)	32
Akumuliatoriaus bloko įdėjimas į įrankį ir išėmimas iš jo	33
Akumuliatoriaus įkrovos lygio patikrinimas	33
Pradėjimas naudoti	33
Geležtės įdėjimas / keitimas	33
Apsauginio gaubto surinkimas	33
Lygiagrečiojo ribotuvo surinkimas	33
Drožlių siurbimo įrenginio prijungimas	33
Drožlių nupūtimo funkcija	33
Apsauginio įdėklo nuo pleišėjimo surinkimas	34
Šliaužiklio surinkimas	34
Naudojimas	34
Pjovimo kampo nustatymas	34
Eigos dažnio nustatymas	34
Švytuoklinės eigos nustatymas	34
Įjungimas / išjungimas	34
Techninė priežiūra ir valymas	35
Kompernaß Handels GmbH garantija	35
Klientų aptarnavimas	36
Importuotojas	36
Šalinimas	36
Atitikties deklaracijos originalo vertimas	37
Atsarginio akumuliatoriaus užsakymas	38
Užsakymas internetu	38
Užsakymas telefonu	38

AKUMULIATORINIS ŠVYTUOKLINIS SIAURAPJŪKLIS PSTDA 20-Li A1

Įžanga

Sveikiname įsigijus naują įrankį. Pasirinkote kokybišką gaminį. Naudojimo instrukcija yra šio gaminio dalis. Joje pateikta svarbių saugos, naudojimo ir šalinimo nurodymų. Prieš pradėdami naudoti gaminį, susipažinkite su visais naudojimo ir saugos nurodymais. Gaminį naudokite tik taip, kaip aprašyta, ir tik nurodytais naudojimo tikslais. Perduodami gaminį tretiesiems asmenims kartu perduokite visus jo dokumentus.

Naudojimas pagal paskirtį

Įrankis skirtas tiesiems ir lenktiems pjūviams bei skersiniams pjūviams iki 45° laipsnių briaunuotose plastiko, medžio ir lengvojo metalo ruošiniuose atlikti. Įrankį galima naudoti tik privačioms reikmėms ir tik sausose patalpose. Vadovaukitės informacija apie geležčių tipus. Bet koks kitoks įrankio naudojimas ar keitimas laikomas naudojimu ne pagal paskirtį ir gali kelti didelį pavojų. Gamintojas neprisiima jokios atsakomybės už žalą, atsiradusią naudojant įrankį ne pagal paskirtį.

Daly

- 1 Įjungimo / išjungimo jungiklio užraktas
- 2 Įjungimo / išjungimo jungiklis
- 3 Rankena
- 4 Akumulatoriaus bloko atlaisvinimo mygtukas
- 5 Akumulatoriaus blokas
- 6 Siurbimo atvamzdis
- 7 Drožlių nupūtimo įtaiso jungiklis
- 8 Atraminė plokštė
- 9 Šliauziklis (nuimamas)
- 10 Švytuoklinės eigos jungiklis
- 11 Lygiagretusis ribotuvas
- 12 Kreipiamasis ritinėlis
- 13 Geležtė
- 14 Apsauginis įdėklas nuo pleišėjimo
- 15 Įkišimo angos (kiekviena su fiksavimo varžtu)
- 16 Apsauginis lankas
- 17 Sparčiojo tvirtinimo griebtuvas
- 18 Apsauginis gaubtas
- 19 Darbinė lemputė
- 20 Suveržimo varžtai
- 21 Krumpliciai
- 22 Akumulatoriaus įkrovos lygio mygtukas
- 23 Akumulatoriaus LED indikatoriai

- 24 Spartusis kroviklis
- 25 Raudona įkrovos patikros LED lemputė
- 26 Žalia įkrovos patikros LED lemputė

Tiekiamas rinkinys

- 1 akumulatorinis švytuoklinis siaurapjūklis su siurbimo atvamzdžiu ir adapteriai
- 1 spartusis akumuliatorių kroviklis
- 1 akumulatoriaus blokas
- 1 lygiagretusis ribotuvas
- 2 geležtės medžiui apdirbti
- 1 geležtė metalui apdirbti
- 1 šešiabriaunis raktas
- 1 apsauginis įdėklas nuo pleišėjimo
- 1 naudojimo instrukcija

Techniniai duomenys

Akumulatorinis švytuoklinis siaurapjūklis: PSTDA 20-Li A1

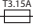
Vardinė įtampa:	20 V --- (nuolatinė srovė)
Vardinis eigos dažnis	
tuščiaja veika:	n_0 0–2700 min ⁻¹
Eiga:	20 mm
Švytuoklinė eiga:	3 nustatymo padėtys ir tiksliojo pjovimo padėtis
Pjūvio gylis:	medis / aliuminis / metalas: 80 / 12 / 5 mm
Pjūvio kampas:	0° – 15° – 30° – 45° kairėje / dešinėje

Akumulatorinį įrankį naudokite tik su šiuo akumulatoriumi: PAP 20 A1

Tipas:	LIČIO JONŲ
Vardinė įtampa:	20 V --- (nuolatinė srovė)
Talpa:	2,0 Ah
Elementų skaičius:	5

Akumulatoriniam įrankiui įkrauti naudokite tik šį spartųjį akumuliatorių kroviklį: PLG 20 A1 ĮĖJIMAS / „Input“:

Vardinė įtampa:	230–240 V ~, 50 Hz (kintamoji srovė)
Vardinė galia:	65 W

Saugiklis (viduje):	3,15 A 
---------------------	--

IŠĖJIMAS / „Output“:

Vardinė įtampa:	21,5 V --- (nuolatinė srovė)
Vardinė srovė:	2,4 A

Įkrovimo trukmė:	apie 60 min.
Apsaugos klasė:	II /  (dviguba izoliacija)

Skleidžiamo triukšmo vertė:

skleidžiamo triukšmo išmatuotoji vertė nustatyta pagal standartą EN 60745. Elektrinio įrankio paprastai skleidžiamas A svertinis triukšmo lygis yra toks:

Garso slėgio lygis: $L_{PA} = 80 \text{ dB (A)}$

Neapibrėžtis K: $K_{PA} = 3 \text{ dB}$

Garso galios lygis: $L_{WA} = 91 \text{ dB (A)}$

Neapibrėžtis K: $K_{WA} = 3 \text{ dB}$

Dėvėkite klausos apsaugos priemones!

Vibracijos bendroji vertė

(trijų krypčių vektorių suma) nustatyta pagal EN 60745 standartą:

Pjaunant medžio drožlių plokštę: $a_{h,B} = 5,9 \text{ m/s}^2$

Neapibrėžtis K = $1,5 \text{ m/s}^2$

Pjaunant lakštinį metalą: $a_{h,M} = 7,2 \text{ m/s}^2$

Neapibrėžtis K = $1,5 \text{ m/s}^2$

NURODYMAS

- Šiuose nurodymuose deklaruotasis vibracijos lygis išmatuotas EN 60745 nustatytu standartiniu matavimo metodu ir gali būti naudojamas vienam įrankiui palyginti su kitu. Nurodyta vibracijos intensyvumo vertė taip pat galima vadovautis siekiant atlikti pirminį poveikio vertinimą.

⚠️ ĮSPĖJIMAS!

- Vibracijos lygis priklauso nuo elektrinio įrankio naudojimo būdo ir kai kuriais atvejais gali viršyti šiuose nurodymuose deklaruotą vertę. Šitaip nuolat naudojant elektrinį įrankį vibracinis poveikis gali būti įvertintas nepakankamai. Stenkitės kuo labiau sumažinti vibracinį poveikį. Vibracinį poveikį galima sumažinti, pavyzdžiui, darbo su įrankiu metu mūvint pirštines ir ribojant darbo laiko trukmę. Taip pat būtina atsižvelgti į visas įrankio naudojimo ciklo dalis (pvz., laikotarpis, kai elektrinis įrankis yra išjungtas, ir laikotarpis, kai įrankis įjungtas, tačiau veikia nenaudojamas).



Elektrinių įrankių naudojimo bendrieji saugos nurodymai

⚠️ ĮSPĖJIMAS!

- Perskaitykite visus saugos ir kitus nurodymus. Nesilaikant saugos ir kitų nurodymų kyla pavojus patirti elektros smūgi, sukelti gaisrą ir (arba) sunkiai susižaloti.

Išsaugokite visus saugos ir kitus nurodymus – jų gali prireikti ateityje.

Saugos nurodymuose vartojama sąvoka „elektrinis įrankis“ reiškia į elektros tinklą (maitinimo laidu) jungiamus ir akumuliatoriais maitinamus (be maitinimo laido) elektrinius įrankius.

1. Darbo vietos sauga

- Darbo zona turi būti švari ir gerai apšviesta.** Jei darbo zona netvarkinga ar neapšviesta, gali įvykti nelaimingas atsitikimas.
- Nenaudokite elektrinio įrankio sprogoje aplinkoje, kurioje yra degių skysčių, dujų ar dulkių.** Elektriniai įrankiai įskelia kibirkščių ir jos gali uždegti dulkes ar garus.
- Kai naudojate elektrinį įrankį, neleiskite artintis vaikams ar kitiems asmenims.** Atitraukus dėmesį įrankis gali tapti nevaldomas.

2. Elektros sauga

- Elektrinio įrankio jungiamasis kištukas turi tiktai elektros lizdai.** Jokių būdu nedarykite kokių nors kištuko keitimų. Kai elektrinis įrankis apsaugotas įžeminimu, nenaudokite adapterių. Originalūs kištukai ir tinkami elektros lizdai sumažina elektros smūgio pavojų.
- Stenkitės nesiliesti prie įžemintų paviršių, pavyzdžiui, vamzdžių, šildymo įrenginių, viryklė ir šaldytuvų.** Kai kūnas įžemintas, padidėja elektros smūgio pavojus.
- Saugokite elektrinius įrankius nuo lietaus ar drėgmės.** Į elektrinio įrankio vidų patekus vandens, padidėja elektros smūgio pavojus.

- d) Laidas neskirtas elektriniam įrankiui nešti, kabinti, taip pat už jo negalima traukti norint iš elektros lizdo ištraukti kištuką. Saugokite laidą nuo karščio, aštrių briaunų ir judančių įrankio dalių, neištepkite jo alyva. Apgadinus arba suraizgius laidus padidėja elektros smūgio pavojus.
- e) Dirbdami su elektriniu įrankiu lauke naudokite tik darbui lauke skirtus ilginamuosius laidus. Naudojant darbui lauke tinkamą ilginamąjį laidą sumažėja elektros smūgio pavojus.
- f) Jei elektrinis įrankis neišvengiamai turi būti naudojamas drėgnoje aplinkoje, naudokite pažaidos srove valdomą jungtuvą. Naudojant pažaidos srove valdomą jungtuvą sumažėja elektros smūgio pavojus.
- e) Venkite nenatūralios kūno padėties. Pasirūpinkite, kad stovėtumėte stabiliai, visada išlaikykite pusiausvyrą. Taip geriau galėsite kontroliuoti elektrinį įrankį nenumatytomis aplinkybėmis.
- f) Vilkėkite tinkamus drabužius. Nevilkėkite plaučių drabužių, nedėvėkite papuošalų. Plaukus, drabužius ir pirštines saugokite nuo judamųjų dalių. Judamosios dalys gali įtraukti laisvus drabužius, papuošalus ar ilgus plaukus.
- g) Jei prie įrankio galima prijungti dulkių siurbimo ar dulkių surinkimo įrenginių, išitikinkite, kad toks įrenginys prijungtas ir naudojamas tinkamai. Susiurbiant dulkes sumažėja dulkių keliamas pavojus.

3. Žmonių sauga

- a) Visada būkite atidūs, sutelkę dėmesį į tai, ką darote, ir laikykitės įprastų darbo su elektriniu įrankiu taisyklių. Nenaudokite elektrinių įrankių, jei jaučiate nuovargį, vartojote narkotinių medžiagų, alkoholio ar vaistų. Menkiausias neapdairumas dirbant su elektriniu įrankiu gali būti sunkių sužalojimų priežastis.
- b) Naudokite asmenines apsaugos priemones ir būtinai užsidėkite apsauginius akinius. Elektrinio įrankio tipui ir jo naudojimo būdai tinkamos asmeninės apsaugos priemonės, pavyzdžiui, kaukė nuo dulkių, neslystanti saugi avalynė, apsauginis šalmas ar klausos apsaugos priemonės, sumažina pavojų susižaloti.
- c) Saugokitės, kad netyčia neįjungtumėte įrankio. Prieš jungdami elektrinį įrankį į elektros tinklą ir (arba) prie akumulatoriaus, taip pat prieš pakeldami ar nešdami išitikinkite, kad jis yra išjungtas. Jei nešdami elektrinį įrankį pirštą laikysite ant jungiklio ar į elektros tinklą įjungsite jau įjungtą elektrinį įrankį, gali įvykti nelaimingas atsitikimas.
- d) Prieš įjungdami elektrinį įrankį pašalinkite reguliavimo įrankius arba veržliarakčius. Besisukančioje įrankio dalyje esantis įrankis ar raktas gali sužaloti.
- a) Venkite įrankio perkrovų. Naudokite darbui tinkamą elektrinį įrankį. Tinkamu elektriniu įrankiu nurodytos įrankio naudojimo sritys darbą atlikite geriau ir saugiau.
- b) Nenaudokite elektrinio įrankio, jei pažeistas jo jungiklis. Neįsijungiantis arba neišsijungiantis elektrinis įrankis kelia pavojų, ir įrankį reikia pataisyti.
- c) Prieš reguliuodami, padėdami įrankį ar keisdami jo priedus ištraukite iš elektros lizdo kištuką ir (arba) išimkite akumuliatorių. Ši atsargumo priemonė neleis elektriniam įrankiui netyčia įsijungti.
- d) Nenaudojamus elektrinius įrankius laikykite vaikams nepasiekiamoje vietoje. Neleiskite įrankio naudoti su juo nesusipažinusiems ar šių nurodymų neperskaičiusiems žmonėms. Naudojami patirties neturinčių žmonių, elektriniai įrankiai kelia pavojų.
- e) Rūpestingai prižiūrėkite elektrinius įrankius. Patikrinkite, ar tinkamai veikia ir ar neužsikirtusios judamosios dalys, ar nėra elektrinio įrankio veikimą bloginančių sulūžusių arba apgadintų dalių. Prieš naudodami įrankį pasirūpinkite, kad sugadintos dalys būtų pataisytos. Daug nelaimingų atsitikimų įvyksta dėl netinkamai prižiūrimų elektrinių įrankių.

4. Elektrinio įrankio naudojimas ir elgsena su juo

- f) Pjovimo įrankiai turi būti aštrūs ir švarūs. Rūpestingai prižiūrimi pjovimo įrankiai su aštriais asmenimis rečiau įstringa, juos lengviau valdyti.
- g) Elektrinį įrankį, priedus, papildomus darbo įrankius ir kt. naudokite vadovaudamiesi šiais nurodymais. Taip pat įvertinkite darbo sąlygas ir atliktiną darbą. Elektrinius įrankius naudojant nenumatytiems tikslams gali susidaryti pavojingų situacijų.

5. Akumulatorinio įrankio naudojimas ir elgsena su juo

- a) Akumulatorius įkraukite tik gamintojo rekomenduojamais krovikliais. Tam tikro tipo akumulatoriams skirtą kroviklį naudojant kitokiems akumulatoriams įkrauti gali kilti gaisras.
- b) Elektriniuose įrankiuose naudokite tik numatytus akumulatorius. Naudojant kitokius akumulatorius kyla pavojus susižaloti arba sukelti gaisrą.
- c) Nenaudojamą akumuliatorių laikykite atokiai nuo svaržėlių, monetų, raktų, vinių, varžtų ar kitokių nedidelių metalinių daiktų, galinčių sujungti kontaktus. Įvykus akumulatoriaus kontaktų trumpajam jungimui kyla pavojus nusideginti arba sukelti gaisrą.
- d) Iš netinkamai naudojamo akumulatoriaus gali ištekėti skysčio. Venkite prisiliesti prie skysčio. Jei taip netyčia atsitiktų, nuplaukite jį vandeniu. Jei skysčio patektų į akis, taip pat kreipkitės į gydytoją. Ištekėjęs akumulatoriaus skystis gali sudirginti arba nudeginti odą.



ATSARGIAI! SPROGIMO PAVOJUS!
Niekada nebandykite įkrauti neįkraunamųjų baterijų.



Saugokite akumuliatorių nuo karščio, taip pat, pavyzdžiui, nuo nuolatinių tiesioginių saulės spindulių, ugnies, vandens ir drėgmės. Kyla sprogo pavojus.



6. Klientų aptarnavimas

- a) Elektrinį įrankį gali remontuoti tik kvalifikuoti specialistai ir tik naudodami originalias atsargines dalis. Taip užtikrinama, kad elektrinis įrankis išliks saugus.

Specialieji saugos nurodymai dirbant su siaurapjūkliais

- Elektrinį įrankį laikykite už izoliuotų paviršių įrankiui suimti, jei dirbant elektrinis įrankis gali užkliudyti paslėptus elektros laidus. Prisilietus prie laido, kuriame yra įtampa, įtampa gali persiduoti metalinėms įrankio dalims ir sukelti elektros smūgį.

Kroviklių naudojimo saugos nurodymai

- Šį prietaisą gali naudoti vyresni nei 8 metų amžiaus vaikai, taip pat sutrikusių fizinių, juslinių arba protinių gebėjimų ar mažai patirties ir žinių turintys asmenys, jei jie yra prižiūrimi arba išmokyti saugiai naudoti prietaisą ir supranta jo keliamą pavojų. Vaikams su prietaisu žaisti draudžiama. Neprižiūrimiems vaikams neleidžiama atlikti valymo ir naudotojo atliekamų techninės priežiūros darbų.
- Kad išvengtumėte pavojų, kai pažeistas šio prietaiso įjungimo į tinklą laidas, jį turi pakeisti gamintojas arba jo klientų aptarnavimo tarnyba ar reikiamą kvalifikaciją turintis asmuo.



Kroviklį galima naudoti tik patalpose.

⚠ ĮSPĖJIMAS!

- Jei reikia pakeisti prijungimo laidą, saugos sumetimais tai turi atlikti gamintojas arba jo atstovas.

Originalūs priedai ir papildoma įranga

- Naudokite tik naudojimo instrukcijoje nurodytus priedus, papildomą įrangą ir (arba) tokius priedus, kurių laikiklis tinka įrankiui.

Informacija apie geležtes


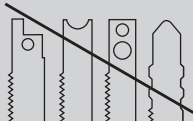
„Parkside“ pagrindiniame rinkinyje jau yra pagrindinės paskirties – medienos ir metalo pjovimo – geležtės.

- 2 geležtės bendriesiems medienos pjovimo darbams
- 1 geležtė lengviesiems metalams iki 5 mm pjauti

NURODYMAS

- ▶ Galima naudoti bet kokią geležtę, tačiau ji turi būti su tinkamu laikikliu (T formos kotu).

Geležčių tipai

tinkama	netinkama
	

Prieš pradėdant naudoti

Akumuliatoriaus bloko įkrovimas (žr. A paveikslėlį)

⚠ ATSAARGIAI!

- ▶ Kas kartą, prieš išimdami akumulatoriaus bloką iš kroviklio ir (arba) jį įdėdami, ištraukite tinklo kištuką.

NURODYMAS

- ▶ Nebandykite įkrauti akumulatoriaus bloko, jei aplinkos temperatūra yra žemesnė nei 10 °C arba aukštesnė nei 40 °C. Ilgesnį laiką laikant ličio jonų akumuliatorių, reikia reguliariai tikrinti įkrovos lygį. Optimalus įkrovos lygis yra nuo 50 iki 80 %. Akumuliatorių laikykite vėsioje ir sausoje aplinkoje, nuo 0 iki 50 °C temperatūroje.

- ◆ Akumuliatoriaus bloką **5** įkiškite į spartųjį kroviklį **24** (žr. A paveikslėlį).
- ◆ Tinklo kištuką **25** įkiškite į elektros lizdą. Kontrolinė LED lemputė **25** šviečia raudonai.
- ◆ Žalia kontrolinė LED lemputė **26** rodo, kad įkrovimas baigtas ir akumulatoriaus blokas **5** parengtas naudoti.

⚠ DĖMESIO!

- ◆ Mirksinti raudona patikros LED lemputė **25** reiškia, kad akumulatoriaus blokas **5** perkaito ir jo įkrauti negalima.
- ◆ Jei raudona ir žalia patikros LED lemputės **25** **26** mirksi tuo pat metu, akumulatoriaus blokas **5** sugedo.
- ◆ Akumuliatoriaus bloką **5** įdėkite į įrankį.
- Niekada nebandykite įkrauti akumulatoriaus bloko antrą kartą iškart po to, kai įkrovėte jį sparčiuoju krovikliu. Akumuliatoriaus blokas gali perkaisti ir dėl to sutrumpės akumulatoriaus naudojimo trukmė.
- ◆ Tarp dviejų įkrovimų iš eilės kroviklis turi būti išjungtas ne trumpiau nei 15 minučių. Tam ištraukite tinklo kištuką.

Akumulatoriaus bloko įdėjimas į įrankį ir išėmimas iš jo

Akumulatoriaus bloko įdėjimas:

- ◆ Įtvirtinkite akumulatoriaus bloką **5** įrankyje.

Akumulatoriaus bloko išėmimas:

- ◆ Paspauskite atlaisvinimo mygtuką **4** ir išimkite akumulatoriaus bloką.

Akumulatoriaus įkrovos lygio patikrinimas

- ◆ Norėdami patikrinti akumulatoriaus įkrovos lygį, paspauskite akumulatoriaus įkrovos lygio mygtuką **22** (žr. ir pagrindinį paveikslėlį). Įkrovos lygį akumulatoriaus LED indikatoriai **23** parodo taip:
 - ◆ RAUDONAS / ORANŽINIS / ŽALIAS = didžiausia įkrova
 - ◆ RAUDONAS / ORANŽINIS = vidutinė įkrova
 - ◆ RAUDONAS = maža įkrova – akumuliatorių būtina įkrauti

Pradėjimas naudoti

Geležtės įdėjimas / keitimas

Prieš tvarkydami (pavyzdžiui, atlikdami techninės priežiūros darbus, keisdami įrankius) ar gabendami bei padėdami elektrinį įrankį laikyti, išimkite akumuliatorių.

Netyčia įjungus įjungimo / išjungimo jungiklį, kyla pavojus susižaloti.

- ◆ Suspauskite apsauginį gaubtą **18** kraštinių laikiklių aukštyje ir nutraukite j priekį.
- ◆ Pasukite sparčiojo tvirtinimo griebtuvą **17** ir laikykite jį pasuktą.
- ◆ Reikiamą geležtę iki galo įkiškite į sparčiojo tvirtinimo griebtuvą **17**.
- ◆ Atleiskite sparčiojo tvirtinimo griebtuvą **17** – jis turi grįžti į pradinę padėtį. Dabar geležtė įtvirtinta.
- DĖMESIO! Geležtės dantukai turi būti nukreipti į priekį (žr. išskleidžiamąjį puslapį)!

Apsauginio gaubto surinkimas

Apsauginį gaubtą **18** uždėkite prieš prijungdami įrankį prie dulkių siurbimo įrenginio.

- ◆ Apsauginį gaubtą **18** ant įrankio uždėkite taip, kad abu kraštiniai laikikliai užsifiksuotų korpuso išėmose.
- ◆ Jei dirbsite be dulkių siurbimo įrenginio ar norite pjauti skersai, apsauginį gaubtą **18** nuimkite. Suspauskite apsauginį gaubtą **18** kraštinių laikiklių aukštyje ir nutraukite j priekį.

Lygiagrečiojo ribotuvo surinkimas

Lygiagretųjį ribotuvą **11** galima tvirtinti įrankio kairėje arba dešinėje.

- ◆ Atlaisvinkite abu įkišimo angų **15** fiksavimo varžtus.
- ◆ Lygiagretųjį ribotuvą **11** įkiškite į įkišimo angas **15**.
- ◆ Vėl prisukite abu fiksavimo varžtus.

Drožlių siurbimo įrenginio prijungimas

- ◆ Siurbimo atvamzdį **6** kiškite į siurbimo kanalą, kol jis užsifiksuos. Darykite tai pasirinktinai, atsižvelgdami į dulkių ir drožlių siurbimo įrenginio skersmenį.
- ◆ Prijunkite leidžiamą naudoti dulkių ir drožlių siurbimo įrenginį prie siurbimo atvamzdžio **6**.


-  Dėvėkite kaukę nuo dulkių.

Siurbimo funkcijos pasirinkimas:

- ◆ Drožlių nupūtimo įtaiso jungiklį **7** pastumkite į padėtį „O“.

Drožlių nupūtimo funkcija

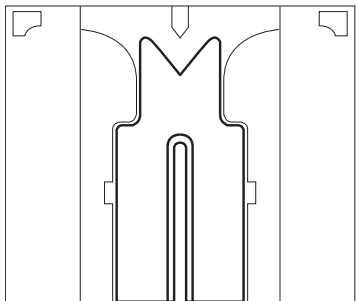
Drožlių nupūtimo funkcijos įjungimas:

- ◆ Drožlių nupūtimo įtaiso jungiklį **7** pastumkite į padėtį .

Apsauginio įdėklo nuo pleišėjimo surinkimas

Apsauginis įdėklas nuo pleišėjimo **14** saugo medienos paviršių nuo supleišėjimo pjaunant. Apsauginį įdėklą nuo pleišėjimo **14** galima naudoti tik su tam tikro tipo geležtėmis, be šliaužiklio **9** ir tik pjauvant 0° kampū.

- ◆ Apsauginį įdėklą nuo pleišėjimo **14** iš apačios įspauskite į atraminę plokštę **8** (įranta nukreipta į viršų).



Šliaužiklio surinkimas

Apdirbdami jautrius paviršius ant atraminės plokštės **8** galite uždėti šliaužiklį **9**, kad nesibraižytų paviršius.

- ◆ Šliaužiklį **9** priekyje užkabinkite ant atraminės plokštės **8** ir spauskite gale į viršų, kol jis užsifiksuos atraminėje plokštėje **8**.
- ◆ Norėdami šliaužiklį **9** nuimti, atlaisvinkite jį atraminės plokštės **8** galinėje dalyje ir nuimkite jį priekį.

Naudojimas

Pjovimo kampo nustatymas

- ◆ Atsukite suveržimo varžtus **20** rinkinyje esančiu šešiabriauniu raktu ir atraminę plokštę **8** nutraukite atgal.
- ◆ Pagal žymas atraminėje plokštėje **8** nustatykite $0^\circ / 15^\circ / 30^\circ / 45^\circ$ pjovimo kampą. Atraminę plokštę **8** pastumkite į priekį, kad krumplyuose **21** užsifiksuotų fiksavimo kaištis.
- ◆ Šešiabriauniu raktu prisukite suveržimo varžtus **20**.

NURODYMAS

- ▶ Norint pjauti $15^\circ / 30^\circ / 45^\circ$ kampū, prieš tai reikia nuimti apsauginį gaubtą **18** ir apsauginį įdėklą nuo pleišėjimo **14**.

Eigos dažnio nustatymas

ĮJUNGIMO / IŠJUNGIMO jungiklyje **2** įtaisytas kaitomo greičio reguliatorius. Lengvai nuspaudus ĮJUNGIMO / IŠJUNGIMO jungiklį **2** sukimosi greitis būna nedidelis. Jungiklį spaudžiant stipriau sukimosi greitis didėja.

NURODYMAS

- ▶ Įtaisytas variklio stabdys greitai sustabdo įrankį.

Švytuoklinės eigos nustatymas

- ◆ Švytuoklinės eigos jungikliu **10** galite nustatyti švytuoklinį geležtės **13** judėjimą. Neįjungus švytuoklinės eigos (padėtis „0“), pjūvio kraštai bus tiksūs ir lygūs. Prieš apdirbdami plonus ruošinius švytuoklinę eigą išjunkite. Įjungę švytuoklinę eigą (1–3 padėty) galėsite dirbti vis sparčiau.

Įjungimas / išjungimas

Įrankio įjungimas:

- ◆ Paspauskite jungiklio užraktą **1** į kairę arba dešinę ir laikykite jį nuspaustą.
- ◆ Paspauskite ĮJUNGIMO / IŠJUNGIMO jungiklį **2**. Įrankiui pradėjus veikti jungiklio užraktą **1** galite vėl atleisti. Lengvai ar visiškai nuspaudus ĮJUNGIMO / IŠJUNGIMO jungiklį **2** dega LED darbinė lemputė **19**. Ji apšviečia darbinę zoną esant prastam apšvietimui.

Įrankio išjungimas:

Atleiskite ĮJUNGIMO / IŠJUNGIMO jungiklį **2**.

Techninė priežiūra ir valymas



ĮSPĖJIMAS! PAVOJUS SUSIŽALOTI!
Prieš tvarkydami, kas kartą įrankį išjunkite ir išimkite akumuliatorių.

- Įrankis visada turi būti švarus, sausas, neišteptas alyva ar tepalu.
- Korpusą valykite sausa šluoste.
- Ilgesnį laiką laikant ličio jonų akumuliatorių, reikia reguliariai tikrinti įkrovos lygį. Optimalus įkrovos lygis yra nuo 50 iki 80 %. Geriausia laikyti vėsioje ir sausoje aplinkoje.
- Baigę pjovimo darbus, išvalykite įrankį.
- Pašalinkite nuo įrankio nešvarumus (pvz., pjovimo drožles). Prireikus geležtės laikiklį išvalykite šepetėliu arba išpūskite suslėgtuoju oru.

Kompernaß Handels GmbH garantija

Gerb. kliente,

Šiam prietaisui nuo įsigijimo datos suteikiama 3 metų garantija. Išryškėjus šio gaminio trūkumams, gaminio pardavėjas užtikrina jums teisės aktais reglamentuojamas teises. Toliau išdėstytos garantijos teikimo sąlygos šių jūsų teisės aktais reglamentuojamų teisių neapriboja.

Garantijos teikimo sąlygos

Garantijos teikimo laikotarpis skaičiuojamas nuo pirkimo datos. Prašome išsaugoti originalų kasos čekį. Jis reikalingas kaip pirkimo dokumentas.

Jei per trejus metus nuo šio gaminio pirkimo datos išryškėtų medžiagų ar gamybos trūkumų, gaminį savo nuožiūra nemokamai sutaisysime arba pakeisime. Norint pasinaudoti garantija, sugedusį prietaisą ir pirkimo dokumentą (kasos čekį) būtina pateikti trejų metų laikotarpiu trumpai aprašius trūkumą bei nurodžius trūkumo atsiradimo laiką.

Jei trūkumui taikoma mūsų garantija, jums grąžinsime sutaisytą arba pristatysime naują gaminį. Sutaisius ar pakeitus gaminį, garantijos teikimo laikotarpis nepratęsiamas.

Garantijos teikimo laikotarpis ir teisės aktais reglamentuojama trūkumų pašalinimo garantija

Garantijos teikimo laikotarpiu suteikus garantinių paslaugų, garantijos teikimo laikotarpis nepratęsiamas. Ta pati sąlyga taikoma ir pakeistoms bei sutaisytoms dalims. Apie įsigyto gaminio pažeidimus ir trūkumus būtina pranešti vos išpakavus gaminį. Pasibaigus garantijos teikimo laikotarpiui už remonto darbus imamas mokestis.

Garantijos aprėptis

Prietaisas kruopščiai pagamintas vadovaujantis griežtomis kokybės gairėmis ir prieš pristatant buvo išbandytas.

Garantija taikoma tik medžiagų arba gamybos trūkumams. Garantija netaikoma įprastai dylančiomis gaminio dalims, priskiriamoms susidėvinčių dalių kategorijai, arba lūžtančių (dužių) dalių, pavyzdžiui, jungiklių, akumuliatorių, kepimo formų ar iš stiklo pagamintų dalių pažeidimams.

Garantija netaikoma, jei gaminys apgadinamas, netinkamai naudojamas ar netinkamai prižiūrimas. Gaminys tinkamai naudojamas tik tada, jei tiksliai laikomasi visų naudojimo instrukcijoje pateiktų nurodymų. Gaminį draudžiama naudoti tokiems tikslams ar tokiu būdu, kurie nerekomenduojami naudojimo instrukcijoje arba dėl kurių joje įspėjama.

Gaminys skirtas tik buitinio, o ne komercinio naudojimo reikmėms. Garantija netaikoma piktnaudžiavimo, netinkamo naudojimo atvejais, jei naudojama jėga ir jei remontuoja ne mūsų įgaliotoji klientų aptarnavimo tarnyba.

Garantinių išpareigojimų vykdymas

Kad galėtume greitai sutvarkyti jūsų prašymą, prašome vadovautis toliau nurodytais nurodymais:

- Kreipdamiesi bet koku klausimu dėl gaminio, turėkite kasos čekį kaip pirkimo dokumentą ir gaminio numerį (pvz., IAN 12345).
- Gaminio numerį rasite prietaiso duomenų lentelėje, išgraviruotą ant naudojimo instrukcijos viršelio (apačioje kairėje) arba užklijuotą prietaiso užpakalinėje pusėje ar apačioje.
- Jei išryškėtų prietaiso veikimo ar kitokių trūkumų, pirmiausia **telefonu** arba **elektroniniu paštu** kreipkitės į toliau nurodytą klientų aptarnavimo skyrių.
- Tada sugedusiu pripažintą gaminį, pridėję pirkimo dokumentą (kasos čekį) ir nurodę trūkumą bei jo atsiradimo laiką, nemokamai galėsite išsiųsti jums nurodytu techninės priežiūros tarnybos adresu.



Svetainėje www.lidl-service.com galite atsisiųsti šį ir daugiau žinynų, gaminių vaizdo įrašų ir programinės įrangos.

Klientų aptarnavimas

⚠️ ĮSPĖJIMAS!

- ▶ Įrankius gali taisyti klientų aptarnavimo tarnybos darbuotojai arba kvalifikuoti elektrikai ir tik naudodami originalias atsargines dalis. Taip užtikrinama, kad įrankis išliks saugus.
- ▶ Įrankio kištuką arba maitinimo laidą gali pakeisti tik įrankio gamintojas arba gamintojo klientų aptarnavimo tarnyba. Taip užtikrinama, kad įrankis išliks saugus.

LT Priežiūra Lietuva

Tel. 880 033 144

Elektroninio pašto adresas
kompennass@lidl.lt

IAN 279504

Importuotojas

Atminkite, kad šis adresas nėra techninės priežiūros tarnybos adresas. Pirmiausia susisiekite su nurodyta klientų aptarnavimo tarnyba.

KOMPERNASS HANDELS GMBH

BURGSTRASSE 21

44867 BOCHUM

GERMANY

www.kompennass.com

Šalinimas



Pakuotė pagaminta iš aplinką tausojančių medžiagų, kurias galite atiduoti utilizuoti vietos utilizavimo įmonėms.



Elektrinių įrankių neišmeskite kartu su buitinėmis atliekomis!

Pagal Europos Sąjungos direktyvą 2012/19/EU panaudoti elektriniai įrankiai turi būti surenkami atskirai ir atiduodami perdirbti nekenkiant aplinkai.



Akumuliatorių neišmeskite kartu su buitinėmis atliekomis!

Sugedę arba panaudoti akumuliatoriai pagal direktyvą 2006/66/EC turi būti perdirbami. Akumuliatoriaus bloką ir (arba) įrankį gražinkite į rekomenduojamą surinkimo vietą.

Informacijos apie nenaudojamų elektrinių įrankių / akumuliatoriaus bloko šalinimą teiraukitės savivaldybės ar miesto administracijoje.

Atitikties deklaracijos originalo vertimas

Mes, KOMPERNASS HANDELS GMBH, ir už dokumento pateikimą atsakingas asmuo Semi Uguzlu, BURGSTR. 21, 44867 BOCHUM, VOKIETIJA, pareiškiame, kad šis gaminytis atitinka toliau nurodytus standartus, norminius dokumentus ir ES direktyvas:

Mašinių direktyvą

(2006/42/EG)

EB žemosios įtampos direktyvą

(2014/35/EU)

Elektromagnetinio suderinamumo direktyvą

(2014/30/EU)

Pavojingų medžiagų naudojimo ribojimo direktyvą

(2011/65/EU)*

* Už šios atitikties deklaracijos parengimą atsakingas tik gamintojas. Pirmiau aprašytas deklaracijoje nurodytas gaminytis atitinka 2011 m. birželio 8 d.

Europos Parlamento ir Tarybos direktyvą 2011/65/EU dėl tam tikrų pavojingų medžiagų naudojimo elektros ir elektroninėje įrangoje apribojimo.

Taikomi darnieji standartai:

EN 60745-1: 2009 / A11: 2010

EN 60745-2-11: 2010

EN 62233: 2008

EN 55014-1: 2006 / A2: 2011

EN 55014-2: 2015

EN 60335-1: 2012 / A11: 2014

EN 60335-2-29: 2004 / A2:2010

EN 61000-3-2: 2014

EN 61000-3-3: 2013

Įrankio tipas:

Akumuliatorinis švytuoklinis siaurapjūklis PSTDA 20-Li A1

Pagaminimo metai: 2016-10

Serijos numeris: IAN 279504

Bochumas, 2016-09-30




Semi Uguzlu

- Kokybės vadybininkas -

Galimi techniniai pakeitimai tobulinant gaminį.

Atsarginio akumulatoriaus užsakymas

Atsarginį įrankio akumuliatorių galite patogiai užsisakyti internetu svetainėje www.kompernass.com arba telefonu.

Atsarginis akumulatorius kainuoja 20 € įskaitant PVM ir siuntimo sąnaudas. Dėl ribotų atsargų šis gaminy po kurio laiko gali būti išparduotas.



Užsakymas internetu

Atsarginio akumulatoriaus užsakymas priedų parduotuvėje

- Interneto naršykle atverkite puslapį www.kompernass.com.
- Spustelėkite atitinkamą vėliavėlę dešinėje apačioje ir pasirinkite norimą šalį ir kalbą.
- Dabar spustelėkite kortelę „Priedų parduotuvė“ ir rubrikoje „Topseller“ pasirinkite įrankiui tinkamą akumuliatorių.
- Įdėję atsarginį akumuliatorių į prekių krepšelį, spustelėkite laukelį „Kasa“ ir, vadovaudamiesi nurodymais ekrane, užsisakykite prekę.

NURODYMAS

- ▶ Kai kuriose šalyse atsarginių dalių užsisakyti internetu negalima. Šiuos atvejus susisieki su mūsų klientų aptarnavimo tarnybos karštąja linija.
- Akcija galioja vienam kliento įsigyjamam / įrankio akumulatoriui bei du mėnesius pasibaigus akcijai. Po to atsarginį akumuliatorių kaip atsarginę dalį ir toliau galėsite užsisakyti kitomis sąlygomis.

Užsakymas telefonu

- LT **Priežiūra Lietuva**
Tel. 880 033 144
Elektroninio pašto adresas
kompernass@lidl.lt

Kad galėtume greitai apdoroti Jūsų užsakymą, kreipdamiesi bet koku klausimu dėl gaminio turėkite gaminio numerį (pvz., IAN 279504). Gaminio numerį rasite duomenų lentelėje arba ant šios naudojimo instrukcijos viršelio.

Inhaltsverzeichnis

Einleitung	40
Bestimmungsgemäßer Gebrauch	40
Ausstattung	40
Lieferumfang	40
Technische Daten	40
Allgemeine Sicherheitshinweise für Elektrowerkzeuge	41
1. Arbeitsplatz-Sicherheit	41
2. Elektrische Sicherheit	41
3. Sicherheit von Personen	42
4. Verwendung und Behandlung des Elektrowerkzeugs	42
5. Verwendung und Behandlung des Akkuwerkzeugs	43
6. Service	43
Gerätespezifische Sicherheitshinweise für Stichsäge	43
Sicherheitshinweise für Ladegeräte	43
Originalzubehör / -zusatzgeräte	44
Informationen zu Sägeblättern	44
Vor der Inbetriebnahme	44
Akku-Pack laden (siehe Abb. A)	44
Akku-Pack ins Gerät einsetzen / entnehmen	45
Akkuzustand prüfen	45
Inbetriebnahme	45
Sägeblatt montieren / wechseln	45
Schutzhaube montieren	45
Parallelanschlag montieren	45
Spanabsaugung anschließen	45
Spanblasfunktion	45
Spanreißschutz montieren	46
Gleitschuh montieren	46
Bedienung	46
Schnittwinkel einstellen	46
Hubzahl einstellen	46
Pendelhub einstellen	46
Einschalten / Ausschalten	46
Wartung und Reinigung	47
Garantie der Kompensaß Handels GmbH	47
Service	48
Importeur	48
Entsorgung	49
Original-Konformitätserklärung	49
Ersatz-Akku Bestellung	50
Online-Bestellung	50
Telefonische Bestellung	50

AKKU-PENDELHUBSTICHSÄGE PSTDA 20-Li A1

Einleitung

Wir beglückwünschen Sie zum Kauf Ihres neuen Gerätes. Sie haben sich damit für ein hochwertiges Produkt entschieden. Die Bedienungsanleitung ist Teil dieses Produkts. Sie enthält wichtige Hinweise für Sicherheit, Gebrauch und Entsorgung. Machen Sie sich vor der Benutzung des Produkts mit allen Bedien- und Sicherheitshinweisen vertraut. Benutzen Sie das Produkt nur wie beschrieben und für die angegebenen Einsatzbereiche. Händigen Sie alle Unterlagen bei Weitergabe des Produkts an Dritte mit aus.

Bestimmungsgemäßer Gebrauch

Das Gerät ist für gerade und kurvige Schnitte sowie Gehrungsschnitte bis 45° an kantigen Werkstücken aus Kunststoff, Holz und Leichtmetall geeignet. Das Gerät ist ausschließlich für den privaten Gebrauch in trockenen Räumen zugelassen. Beachten Sie die Hinweise zu Sägeblatttypen. Jede andere Verwendung oder Veränderung des Gerätes gilt als nicht bestimmungsgemäß und birgt erhebliche Unfallgefahren. Für aus bestimmungswidriger Verwendung entstandene Schäden übernimmt der Hersteller keine Haftung.

Ausstattung

- 1 Einschaltperre für Ein-/Ausshalter
- 2 Ein-/Aus-Schalter
- 3 Griff
- 4 Taste zur Entriegelung des Akku-Packs
- 5 Akku-Pack
- 6 Absaugstutzen
- 7 Schalter Späneblasvorrichtung
- 8 Fußplatte
- 9 Gleitschuh (abnehmbar)
- 10 Pendelhubschalter
- 11 Parallelschlag
- 12 Führungsrolle
- 13 Sägeblatt
- 14 Spanreißschutz
- 15 Einschuböffnungen (jeweils inkl. Feststellschraube)
- 16 Schutzbügel
- 17 Schnellspannfutter
- 18 Schutzhaube
- 19 Arbeitslicht
- 20 Klemmschrauben
- 21 Verzahnung
- 22 Taste Akkuzustand

- 23 Akku-Display-LED
- 24 Schnell-Ladegerät
- 25 Rote Ladekontroll-LED
- 26 Grüne Ladekontroll-LED

Lieferumfang

- 1 Akku-Pendelhubstichsäge inkl. Absaugstutzen und Adapter
- 1 Akku-Schnellladegerät
- 1 Akku-Pack
- 1 Parallelschlag
- 2 Sägeblätter zur Holzbearbeitung
- 1 Sägeblatt zur Metallbearbeitung
- 1 Sechskantschlüssel
- 1 Spanreißschutz
- 1 Betriebsanleitung

Technische Daten

Akku-Pendelhubstichsäge:

PSTDA 20-Li A1

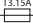
Bemessungsspannung:	20 V \equiv (Gleichstrom)
Bemessungs-Leerlaufhubzahl:	n_0 0 - 2700 min ⁻¹
Hub:	20 mm
Pendelhub:	3 Stufen und Feinschnitt-Einstellung
Schnitttiefe:	Holz/Aluminium/Metall: 80/12/5 mm
Schnitte:	0° - 15° - 30° - 45° links/rechts

Verwenden Sie zum Betrieb des Akku-Werkzeugs nur folgenden Akku: PAP 20 A1

Typ:	LITHIUM-IONEN
Bemessungsspannung:	20 V \equiv (Gleichstrom)
Kapazität:	2,0 Ah
Zellen:	5

Verwenden Sie zum Laden des Akku-Werkzeugs nur folgendes Akku-Schnellladegerät: PLG 20 A1

EINGANG / Input:

Bemessungsspannung:	230 - 240 V \sim , 50 Hz (Wechselstrom)
Bemessungsaufnahme:	65 W
Sicherung (innen):	3,15 A 

AUSGANG / Output:

Bemessungsspannung:	21,5 V \equiv (Gleichstrom)
Bemessungsstrom:	2,4 A
Ladedauer:	ca. 60 min
Schutzklasse:	II/III (Doppelisolierung)

Geräuschemissionswert:

Messwert für Geräusch ermittelt entsprechend EN 60745. Der A-bewertete Geräuschpegel des Elektrowerkzeugs beträgt typischerweise:

Schalldruckpegel: $L_{PA} = 80 \text{ dB (A)}$

Unsicherheit K: $K_{PA} = 3 \text{ dB}$

Schallleistungspegel: $L_{WA} = 91 \text{ dB (A)}$

Unsicherheit K: $K_{WA} = 3 \text{ dB}$

Gehörschutz tragen!

Schwingungsgesamtwerte:

(Vektorsumme dreier Richtungen) ermittelt entsprechend EN 60745:

Sägen von Spanplatte: $a_{h,B} = 5,9 \text{ m/s}^2$

Unsicherheit K = $1,5 \text{ m/s}^2$

Sägen von Metallblech: $a_{h,M} = 7,2 \text{ m/s}^2$

Unsicherheit K = $1,5 \text{ m/s}^2$

HINWEIS

- ▶ Der in diesen Anweisungen angegebene Schwingungspegel ist entsprechend einem in EN 60745 genormten Messverfahren gemessen worden und kann für den Gerätevergleich verwendet werden. Der angegebene Schwingungsemissionswert kann auch zu einer einleitenden Einschätzung der Aussetzung verwendet werden.

⚠️ WARNUNG!

- ▶ Der Schwingungspegel wird sich entsprechend dem Einsatz des Elektrowerkzeugs verändern und kann in manchen Fällen über dem in diesen Anweisungen angegebenen Wert liegen. Die Schwingungsbelastung könnte unterschätzt werden, wenn das Elektrowerkzeug regelmäßig in solcher Weise verwendet wird. Versuchen Sie, die Belastung durch Vibrationen so gering wie möglich zu halten. Beispielhafte Maßnahmen zur Verringerung der Vibrationsbelastung sind das Tragen von Handschuhen beim Gebrauch des Werkzeugs und die Begrenzung der Arbeitszeit. Dabei sind alle Anteile des Betriebszyklus zu berücksichtigen (beispielsweise Zeiten, in denen das Elektrowerkzeug abgeschaltet ist, und solche, in denen es zwar eingeschaltet ist, aber ohne Belastung läuft).



Allgemeine Sicherheitshinweise für Elektrowerkzeuge

⚠️ WARNUNG!

- ▶ Lesen Sie alle Sicherheitshinweise und Anweisungen. Versäumnisse bei der Einhaltung der Sicherheitshinweise und Anweisungen können elektrischen Schlag, Brand und/oder schwere Verletzungen verursachen.

Bewahren Sie alle Sicherheitshinweise und Anweisungen für die Zukunft auf.

Der in den Sicherheitshinweisen verwendete Begriff „Elektrowerkzeug“ bezieht sich auf netzbetriebene Elektrowerkzeuge (mit Netzkabel) und auf akkubetriebene Elektrowerkzeuge (ohne Netzkabel).

1. Arbeitsplatz-Sicherheit

- Halten Sie Ihren Arbeitsbereich sauber und gut beleuchtet.** Unordnung und unbeleuchtete Arbeitsbereiche können zu Unfällen führen.
- Arbeiten Sie mit dem Elektrowerkzeug nicht in explosionsgefährdeter Umgebung, in der sich brennbare Flüssigkeiten, Gase oder Stäube befinden.** Elektrowerkzeuge erzeugen Funken, die den Staub oder die Dämpfe entzünden können.
- Halten Sie Kinder und andere Personen während der Benutzung des Elektrowerkzeugs fern.** Bei Ablenkung können Sie die Kontrolle über das Gerät verlieren.

2. Elektrische Sicherheit

- Der Anschlussstecker des Elektrowerkzeuges muss in die Steckdose passen.** Der Stecker darf in keiner Weise verändert werden. Verwenden Sie keine Adapterstecker gemeinsam mit schutzgeerdeten Elektrowerkzeugen. Unveränderte Stecker und passende Steckdosen verringern das Risiko eines elektrischen Schlages.
- Vermeiden Sie Körperkontakt mit geerdeten Oberflächen, wie von Rohren, Heizungen, Herden und Kühlschränken.** Es besteht ein erhöhtes Risiko durch elektrischen Schlag, wenn Ihr Körper geerdet ist.

- c) Halten Sie Elektrowerkzeuge von Regen oder Nässe fern. Das Eindringen von Wasser in ein Elektrogerät erhöht das Risiko eines elektrischen Schlages.
- d) Zweckentfremden Sie das Kabel nicht, um das Elektrowerkzeug zu tragen, aufzuhängen oder um den Stecker aus der Steckdose zu ziehen. Halten Sie das Kabel fern von Hitze, Öl, scharfen Kanten oder sich bewegenden Geräteteilen. Beschädigte oder verwickelte Kabel erhöhen das Risiko eines elektrischen Schlages.
- e) Wenn Sie mit einem Elektrowerkzeug im Freien arbeiten, verwenden Sie nur Verlängerungskabel, die auch für den Außenbereich zugelassen sind. Die Anwendung eines für den Außenbereich geeigneten Verlängerungskabels verringert das Risiko eines elektrischen Schlages.
- f) Wenn der Betrieb des Elektrowerkzeuges in feuchter Umgebung nicht vermeidbar ist, verwenden Sie einen Fehlerstromschutzschalter. Der Einsatz eines Fehlerstromschutzschalters vermindert das Risiko eines elektrischen Schlages.
- d) Entfernen Sie Einstellwerkzeuge oder Schraubenschlüssel, bevor Sie das Elektrowerkzeug einschalten. Ein Werkzeug oder Schlüssel, der sich in einem drehenden Geräteteil befindet, kann zu Verletzungen führen.
- e) Vermeiden Sie eine abnormale Körperhaltung. Sorgen Sie für einen sicheren Stand und halten Sie jederzeit das Gleichgewicht. Dadurch können Sie das Elektrowerkzeug in unerwarteten Situationen besser kontrollieren.
- f) Tragen Sie geeignete Kleidung. Tragen Sie keine weite Kleidung oder Schmuck. Halten Sie Haare, Kleidung und Handschuhe fern von sich bewegenden Teilen. Lockere Kleidung, Schmuck oder lange Haare können von sich bewegenden Teilen erfasst werden.
- g) Wenn Staubabsaug- und -auffangeinrichtungen montiert werden können, vergewissern Sie sich, dass diese angeschlossen sind und richtig verwendet werden. Die Verwendung einer Staubabsaugung kann Gefährdungen durch Staub verringern.

3. Sicherheit von Personen

- a) Seien Sie stets aufmerksam, achten Sie darauf, was Sie tun und gehen Sie mit Vernunft an die Arbeit mit einem Elektrowerkzeug. Benutzen Sie kein Elektrowerkzeug, wenn Sie müde sind oder unter dem Einfluss von Drogen, Alkohol oder Medikamenten stehen. Ein Moment der Unachtsamkeit beim Gebrauch des Elektrowerkzeuges kann zu ernsthaften Verletzungen führen.
- b) Tragen Sie persönliche Schutzausrüstung und immer eine Schutzbrille. Das Tragen persönlicher Schutzausrüstung wie Staubmaske, rutschfeste Sicherheitsschuhe, Schutzhelm oder Gehörschutz, je nach Art und Einsatz des Elektrowerkzeuges, verringert das Risiko von Verletzungen.
- c) Vermeiden Sie eine unbeabsichtigte Inbetriebnahme. Vergewissern Sie sich, dass das Elektrowerkzeug ausgeschaltet ist, bevor Sie es an die Stromversorgung und / oder den Akku anschließen, es aufnehmen oder tragen. Wenn Sie beim Tragen des Elektrowerkzeuges den Finger am Schalter haben oder das Gerät bereits eingeschaltet an die Stromversorgung anschließen, kann dies zu Unfällen führen.

4. Verwendung und Behandlung des Elektrowerkzeugs

- a) Überlasten Sie das Gerät nicht. Verwenden Sie für Ihre Arbeit das dafür bestimmte Elektrowerkzeug. Mit dem passenden Elektrowerkzeug arbeiten Sie besser und sicherer im angegebenen Leistungsbereich.
- b) Benutzen Sie kein Elektrowerkzeug, dessen Schalter defekt ist. Ein Elektrowerkzeug, das sich nicht mehr ein- oder ausschalten lässt, ist gefährlich und muss repariert werden.
- c) Ziehen Sie den Stecker aus der Steckdose und / oder entfernen Sie den Akku, bevor Sie Geräteeinstellungen vornehmen, Zubehörteile wechseln oder das Gerät weglegen. Diese Vorsichtsmaßnahme verhindert den unbeabsichtigten Start des Elektrowerkzeuges.
- d) Bewahren Sie unbenutzte Elektrowerkzeuge außerhalb der Reichweite von Kindern auf. Lassen Sie Personen das Gerät nicht benutzen, die mit diesem nicht vertraut sind oder diese Anweisungen nicht gelesen haben. Elektrowerkzeuge sind gefährlich, wenn sie von unerfahrenen Personen benutzt werden.

- e) Pflegen Sie Elektrowerkzeuge mit Sorgfalt. Kontrollieren Sie, ob bewegliche Teile einwandfrei funktionieren und nicht klemmen, ob Teile gebrochen oder so beschädigt sind, dass die Funktion des Elektrowerkzeuges beeinträchtigt ist. Lassen Sie beschädigte Teile vor dem Einsatz des Gerätes reparieren. Viele Unfälle haben ihre Ursache in schlecht gewarteten Elektrowerkzeugen.
- f) Halten Sie Schneidwerkzeuge scharf und sauber. Sorgfältig gepflegte Schneidwerkzeuge mit scharfen Schneidkanten verkleben sich weniger und sind leichter zu führen.
- g) Verwenden Sie Elektrowerkzeug, Zubehör, Einsatzwerkzeuge usw. entsprechend diesen Anweisungen. Berücksichtigen Sie dabei die Arbeitsbedingungen und die auszuführende Tätigkeit. Der Gebrauch von Elektrowerkzeugen für andere als die vorgesehenen Anwendungen kann zu gefährlichen Situationen führen.

5. Verwendung und Behandlung des Akkuwerkzeugs

- a) Laden Sie die Akkus nur in Ladegeräten auf, die vom Hersteller empfohlen werden. Für ein Ladegerät, das für eine bestimmte Art von Akkus geeignet ist, besteht Brandgefahr, wenn es mit anderen Akkus verwendet wird.
- b) Verwenden Sie nur die dafür vorgesehenen Akkus in den Elektrowerkzeugen. Der Gebrauch von anderen Akkus kann zu Verletzungen und Brandgefahr führen.
- c) Halten Sie den nicht benutzten Akku fern von Büroklammern, Münzen, Schlüsseln, Nägeln, Schrauben oder anderen kleinen Metallgegenständen, die eine Überbrückung der Kontakte verursachen könnten. Ein Kurzschluss zwischen den Akkukontakten kann Verbrennungen oder Feuer zur Folge haben.
- d) Bei falscher Anwendung kann Flüssigkeit aus dem Akku austreten. Vermeiden Sie den Kontakt damit. Bei zufälligem Kontakt mit Wasser abspülen. Wenn die Flüssigkeit in die Augen kommt, nehmen Sie zusätzlich ärztliche Hilfe in Anspruch. Austretende Akkuflüssigkeit kann zu Hautreizungen oder Verbrennungen führen.



VORSICHT! EXPLOSIONSGEFAHR!
Laden Sie nicht aufladbare Batterien niemals auf.



Schützen Sie den Akku vor Hitze, z. B. auch vor dauernder Sonneneinstrahlung, Feuer, Wasser und Feuchtigkeit. Es Besteht Explosionsgefahr.



6. Service

- a) Lassen Sie Ihr Elektrowerkzeug nur von qualifiziertem Fachpersonal und nur mit Original-Ersatzteilen reparieren. Damit wird sichergestellt, dass die Sicherheit des Elektrowerkzeugs erhalten bleibt.

Gerätespezifische Sicherheitshinweise für Stichsäge

- Halten Sie das Elektrowerkzeug an den isolierten Griffflächen, wenn Sie Arbeiten ausführen, bei denen das Elektrowerkzeug verborgene Stromleitungen treffen kann. Der Kontakt mit einer spannungsführenden Leitung kann auch metallene Geräteteile unter Spannung setzen und zu einem elektrischen Schlag führen.

Sicherheitshinweise für Ladegeräte

- Dieses Gerät kann von Kindern ab 8 Jahren und darüber sowie von Personen mit verringerten physischen, sensorischen oder mentalen Fähigkeiten oder Mangel an Erfahrung und Wissen benutzt werden, wenn sie beaufsichtigt oder bezüglich des sicheren Gebrauchs des Gerätes unterwiesen wurden und die daraus resultierenden Gefahren verstehen. Kinder dürfen nicht mit dem Gerät spielen. Reinigung und Benutzer-Wartung dürfen nicht von Kindern ohne Beaufsichtigung durchgeführt werden.

- Wenn die Netzanschlussleitung dieses Gerätes beschädigt wird, muss sie durch den Hersteller oder seinen Kundendienst oder eine ähnlich qualifizierte Person ersetzt werden, um Gefährdungen zu vermeiden.



Das Ladegerät ist nur für den Betrieb im Innenbereich geeignet.

⚠️ WARNUNG!

- Wenn ein Ersatz der Anschlussleitung erforderlich ist, dann ist dies vom Hersteller oder seinem Vertreter auszuführen, um Sicherheitsgefährdungen zu vermeiden.

Originalzubehör / -zusatzgeräte

- Benutzen Sie nur Zubehör und Zusatzgeräte, die in der Bedienungsanleitung angegeben sind bzw. deren Aufnahme mit dem Gerät kompatibel ist.

Informationen zu Sägeblättern

Die Parkside-Grundausrüstung beinhaltet bereits Sägeblätter für Hauptanwendungen in Holz und Metall.

- 2 Sägeblätter für allgemeine Holzschnitte
- 1 Sägeblatt für Leichtmetalle bis 5 mm

HINWEIS

- ▶ Sie können jedes Sägeblatt verwenden, vorausgesetzt, es ist mit der passenden Aufnahme (Einnockenschaft) versehen.

Sägeblatttyp

geeignet	ungeeignet

Vor der Inbetriebnahme

Akku-Pack laden (siehe Abb. A)

⚠️ VORSICHT!

- ▶ Ziehen Sie immer den Netzstecker, bevor Sie den Akku-Pack aus dem Ladegerät nehmen bzw. einsetzen.

HINWEIS

- ▶ Laden Sie den Akku-Pack nie, wenn die Umgebungstemperatur unterhalb 10 °C oder oberhalb 40 °C liegt. Soll ein Lithium-Ionen-Akku längere Zeit gelagert werden, muss regelmäßig der Ladezustand kontrolliert werden. Der optimale Ladezustand liegt zwischen 50 % und 80 %. Das Lagerungsklima soll kühl und trocken sein in einer Umgebungstemperatur zwischen 0 °C und 50 °C.

- ◆ Stecken Sie den Akku-Pack **5** in das Schnell-Ladegerät **24** (siehe Abb. A).
- ◆ Stecken Sie den Netzstecker in die Steckdose. Die Kontroll-LED **25** leuchtet rot.
- ◆ Die grüne Kontroll-LED **26** signalisiert Ihnen, dass der Ladevorgang abgeschlossen und der Akku-Pack **5** einsatzbereit ist.

⚠️ ACHTUNG!

- ◆ Sollte die rote Kontroll-LED **25** blinken, dann ist der Akku-Pack **5** überhitzt und kann nicht aufgeladen werden.
- ◆ Sollte die rote und grüne Kontroll-LED **25** **26** gemeinsam blinken, dann ist der Akku-Pack **5** defekt.
- ◆ Schieben Sie den Akku-Pack **5** in das Gerät ein.
- Laden Sie einen Akku-Pack niemals unmittelbar nach dem Schnell-Ladevorgang ein zweites Mal auf. Es besteht die Gefahr, dass der Akku-Pack überhitzt und dadurch die Lebensdauer des Akkus verringert wird.
- ◆ Schalten Sie das Ladegerät zwischen aufeinanderfolgenden Ladevorgängen für mindestens 15 Minuten ab.
Ziehen Sie dazu den Netzstecker.

Akku-Pack ins Gerät einsetzen / entnehmen

Akku-Pack einsetzen:

- ◆ Lassen Sie den Akku-Pack **5** in das Gerät einrasten.

Akku-Pack entnehmen:

- ◆ Drücken Sie die Taste zur Entriegelung **4** und entnehmen Sie den Akku-Pack.

Akkuzustand prüfen

- ◆ Drücken Sie zum Prüfen des Akkuzustands die Taste Akkuzustand **22** (siehe auch Hauptabbildung).
Der Zustand wird in der Akku-Display-LED **23** wie folgt angezeigt:
- ◆ ROT / ORANGE / GRÜN = maximale Ladung / ROT / ORANGE = mittlere Ladung
ROT = schwache Ladung - Akku aufladen

Inbetriebnahme

Sägeblatt montieren / wechseln

Nehmen Sie den Akku vor allen Arbeiten am Elektrowerkzeug (z. B. Wartung, Werkzeugwechsel etc.) sowie bei dessen Transport und Aufbewahrung aus dem Elektrowerkzeug. Bei unbeabsichtigtem Betätigen des Ein-/Ausschalters besteht Verletzungsgefahr.

- ◆ Drücken Sie die Schutzhaube **18** auf Höhe der äußeren Halterungen zusammen und ziehen Sie sie nach vorn ab.
- ◆ Drehen Sie das Schnellspannfutter **17** und halten Sie es gedreht.
- ◆ Drücken Sie das benötigte Sägeblatt bis zum Anschlag in das Schnellspannfutter **17**.
- ◆ Lassen Sie das Schnellspannfutter **17** los, es muss in seine Ausgangsposition zurückkehren. Das Sägeblatt ist nun verriegelt.
- **ACHTUNG!** Die Zähne des Sägeblattes müssen dabei nach vorne zeigen (Siehe Ausklappseite)!

Schutzhaube montieren

Montieren Sie die Schutzhaube **18**, bevor Sie das Gerät an eine Staubabsaugung anschließen.

- ◆ Setzen Sie die Schutzhaube **18** so auf das Gerät, dass die beiden äußeren Halterungen in den Aussparungen des Gehäuses einrasten.
- ◆ Nehmen Sie die Schutzhaube **18** für Arbeiten ohne Staubabsaugung sowie für Gehrungsschnitte ab. Drücken Sie dafür die Schutzhaube **18** auf Höhe der äußeren Halterungen zusammen und ziehen Sie sie nach vorn ab.

Parallelanschlag montieren

Der Parallelanschlag **11** kann links oder rechts am Gerät befestigt werden.

- ◆ Lösen Sie die beiden Feststellschrauben der Einschuböffnungen **15**.
- ◆ Schieben Sie den Parallelanschlag **11** in die Einschuböffnungen **15**.
- ◆ Schrauben Sie die beiden Feststellschrauben wieder fest.

Spanabsaugung anschließen

- ◆ Stecken Sie den Absaugstutzen **6** in den Absaugkanal bis dieser festklemmt. Wahlweise je nach Durchmesser von der Staub- und Spanabsaugung.
- ◆ Schließen Sie eine zugelassene Staub- und Spanabsaugung an den Absaugstutzen **6** an.



Tragen Sie eine Staubschutzmaske.

Absaugfunktion unterstützen:

- ◆ Schieben Sie den Schalter Späneblasvorrichtung **7** in die Position „O“.

Spanblasfunktion

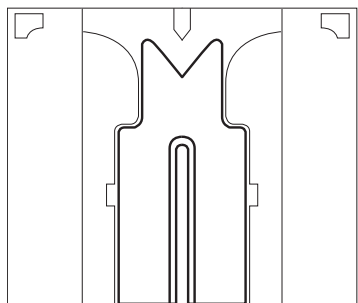
Spanblasfunktion einschalten:

- ◆ Schieben Sie den Schalter Späneblasvorrichtung **7** in die Position .

Spanreißschutz montieren

Der Spanreißschutz **14** kann ein Ausreißen der Oberfläche beim Sägen von Holz verhindern. Der Spanreißschutz **14** kann nur bei bestimmten Sägeblatttypen, ohne Gleitschuh **9** und nur bei einem Schnittwinkel von 0° verwendet werden.

- ◆ Drücken Sie den Spanreißschutz **14** von unten in die Fußplatte **8** ein (Auskerbung nach oben).



Gleitschuh montieren

Bei der Bearbeitung von empfindlichen Oberflächen können Sie den Gleitschuh **9** auf die Fußplatte **8** aufsetzen, um ein Verkratzen der Oberfläche zu vermeiden.

- ◆ Hängen Sie den Gleitschuh **9** vorne an die Fußplatte **8** ein und drücken Sie ihn hinten hoch, bis er an der Fußplatte **8** einrastet.
- ◆ Zum Abnehmen des Gleitschuhs **9**, lösen Sie ihn am hinteren Teil der Fußplatte **8** und nehmen ihn nach vorne hin ab.

Bedienung

Schnittwinkel einstellen

- ◆ Lösen Sie die Klemmschrauben **20** mit dem mitgelieferten Sechskantschlüssel und ziehen die Fußplatte **8** nach hinten.
- ◆ Stellen Sie den Schnittwinkel 0° / 15° / 30° / 45° mit Hilfe der Markierungen an der Fußplatte **8** ein. Schieben Sie die Fußplatte **8** nach vorne, damit der Arretierstift in die Verzahnung **21** einrastet.
- ◆ Spannen Sie die Klemmschrauben **20** mit dem Sechskantschlüssel.

HINWEIS

- ▶ Bei einem Schnittwinkel von 15° / 30° / 45°, muss die Schutzhaube **18** und der Spanreißschutz **14** vorher entfernt werden.

Hubzahl einstellen

Der EIN- / AUS-Schalter **2** verfügt über eine variable Geschwindigkeitsregelung. Leichter Druck auf den EIN- / AUS-Schalter **2** bewirkt eine niedrige Drehzahl. Mit zunehmendem Druck erhöht sich die Drehzahl.

HINWEIS

- ▶ Die integrierte Motorbremse sorgt für einen schnellen Stillstand.

Pendelhub einstellen

- ◆ Sie können mit dem Pendelhubschalter **10** die Pendelbewegung des Sägeblattes **13** einstellen. Ohne Pendelbewegung (Stellung „0“) erzielen Sie feine und saubere Schnittkanten. Stellen Sie bei dünnen Werkstücken den Pendelhub ab. Mit aktiviertem Pendelhub (Stellung 1-3) erzielen Sie einen zunehmend schnelleren Arbeitsfortschritt.

Einschalten / Ausschalten

Gerät einschalten:

- ◆ Drücken Sie die Einschaltsperrleiste **1** nach links oder rechts und halten diese gedrückt.
- ◆ Betätigen Sie den EIN-/AUS-Schalter **2**. Nachdem die Maschine angelaufen ist, können Sie die Einschaltsperrleiste **1** wieder loslassen. Das Arbeitslicht **19** leuchtet bei leicht oder vollständig gedrücktem EIN- / AUS-Schalter **2**. Es ermöglicht so das Ausleuchten des Arbeitsbereiches bei ungünstigen Lichtverhältnissen.

Gerät ausschalten:

Lassen Sie den EIN-/AUS-Schalter **2** los.

Wartung und Reinigung



WARNUNG! VERLETZUNGSGEFAHR!
Schalten Sie vor allen Arbeiten am Gerät das Gerät aus und entnehmen Sie den Akku.

- Das Gerät muss stets sauber, trocken und frei von Öl oder Schmierfetten sein.
- Verwenden Sie zum Reinigen des Gehäuses ein trockenes Tuch.
- Soll ein Lithium-Ionen-Akku längere Zeit gelagert werden, muss regelmäßig der Ladezustand kontrolliert werden. Der optimale Ladezustand liegt zwischen 50 % und 80 %. Das optimale Lagerungsklima ist kühl und trocken.
- Führen Sie die Reinigung des Gerätes im Anschluss an Ihre Sägearbeit durch.
- Entfernen Sie Verschmutzungen (z.B. durch Sägespäne). Reinigen Sie die Sägeblattaufnahme ggf. mit einem Pinsel oder durch Ausblasen mit Druckluft.

Garantie der Kompernaß Handels GmbH

Sehr geehrte Kundin, sehr geehrter Kunde,

Sie erhalten auf dieses Gerät 3 Jahre Garantie ab Kaufdatum. Im Falle von Mängeln dieses Produkts stehen Ihnen gegen den Verkäufer des Produkts gesetzliche Rechte zu. Diese gesetzlichen Rechte werden durch unsere im Folgenden dargestellte Garantie nicht eingeschränkt.

Garantiebedingungen

Die Garantiefrist beginnt mit dem Kaufdatum. Bitte bewahren Sie den Original-Kassenbon gut auf. Diese Unterlage wird als Nachweis für den Kauf benötigt.

Tritt innerhalb von drei Jahren ab dem Kaufdatum dieses Produkts ein Material- oder Fabrikationsfehler auf, wird das Produkt von uns – nach unserer Wahl – für Sie kostenlos repariert oder ersetzt. Diese Garantieleistung setzt voraus, dass innerhalb der Drei-Jahres-Frist das defekte Gerät und der Kaufbeleg (Kassenbon) vorgelegt und schriftlich kurz beschrieben wird, worin der Mangel besteht und wann er aufgetreten ist.

Wenn der Defekt von unserer Garantie gedeckt ist, erhalten Sie das reparierte oder ein neues Produkt zurück. Mit Reparatur oder Austausch des Produkts beginnt kein neuer Garantiezeitraum.

Garantiezeit und gesetzliche Mängelansprüche

Die Garantiezeit wird durch die Gewährleistung nicht verlängert. Dies gilt auch für ersetzte und reparierte Teile. Eventuell schon beim Kauf vorhandene Schäden und Mängel müssen sofort nach dem Auspacken gemeldet werden. Nach Ablauf der Garantiezeit anfallende Reparaturen sind kostenpflichtig.

Garantieumfang

Das Gerät wurde nach strengen Qualitätsrichtlinien sorgfältig produziert und vor Auslieferung gewissenhaft geprüft.

Die Garantieleistung gilt für Material- oder Fabrikationsfehler. Diese Garantie erstreckt sich nicht auf Produktteile, die normaler Abnutzung ausgesetzt sind und daher als Verschleißteile angesehen werden können oder für Beschädigungen an zerbrechlichen Teilen, z. B. Schalter, Akkus, Backformen oder Teile die aus Glas gefertigt sind.

Diese Garantie verfällt, wenn das Produkt beschädigt, nicht sachgemäß benutzt oder gewartet wurde. Für eine sachgemäße Benutzung des Produkts sind alle in der Bedienungsanleitung aufgeführten Anweisungen genau einzuhalten. Verwendungszwecke und Handlungen, von denen in der Bedienungsanleitung abgeraten oder vor denen gewarnt wird, sind unbedingt zu vermeiden.

Das Produkt ist nur für den privaten und nicht für den gewerblichen Gebrauch bestimmt. Bei missbräuchlicher und unsachgemäßer Behandlung, Gewaltanwendung und bei Eingriffen, die nicht von unserer autorisierten Service-Niederlassung vorgenommen wurden, erlischt die Garantie.

Abwicklung im Garantiefall

Um eine schnelle Bearbeitung ihres Anliegens zu gewährleisten, folgen Sie bitte den folgenden Hinweisen:

- Bitte halten Sie für alle Anfragen den Kassenbonn und die Artikelnummer (z. B. IAN 12345) als Nachweis für den Kauf bereit.
- Die Artikelnummer entnehmen Sie bitte dem Typenschild, einer Gravur, auf dem Titelblatt ihrer Anleitung (unten links) oder als Aufkleber auf der Rück- oder Unterseite.
- Sollten Funktionsfehler oder sonstige Mängel auftreten, kontaktieren Sie zunächst die nachfolgend benannte Serviceabteilung **telefonisch** oder per **E-Mail**.
- Ein als defekt erfasstes Produkt können Sie dann unter Beifügung des Kaufbelegs (Kassenbonn) und der Angabe, worin der Mangel besteht und wann er aufgetreten ist, für Sie portofrei an die Ihnen mitgeteilte Service-Anschrift übersenden.



Auf www.lidl-service.com können Sie diese und viele weitere Handbücher, Produktvideos und Software herunterladen.

Service

WARNUNG!

- ▶ Lassen Sie Ihre Geräte von der Servicestelle oder einer Elektrofachkraft und nur mit Original-Ersatzteilen reparieren. Damit wird sichergestellt, dass die Sicherheit des Gerätes erhalten bleibt.
- ▶ Lassen Sie den Austausch des Steckers oder der Netzleitung immer vom Hersteller des Gerätes oder seinem Kundendienst ausführen. Damit wird sichergestellt, dass die Sicherheit des Gerätes erhalten bleibt.

Service Deutschland

Tel.: 0800 5435 111 (Kostenfrei aus dem dt. Festnetz/Mobilfunknetz)
E-Mail: kompnass@lidl.de

Service Österreich

Tel.: 0820 201 222 (0,15 EUR/Min.)
E-Mail: kompnass@lidl.at

Service Schweiz

Tel.: 0842 665566 (0,08 CHF/Min., Mobilfunk max. 0,40 CHF/Min.)
E-Mail: kompnass@lidl.ch

IAN 279504

Importeur

Bitte beachten Sie, dass die folgende Anschrift keine Serviceanschrift ist. Kontaktieren Sie zunächst die benannte Servicestelle.

KOMPERNASS HANDELS GMBH
BURGSTRASSE 21
44867 BOCHUM
GERMANY
www.kompnass.com

Entsorgung



Die Verpackung besteht aus umweltfreundlichen Materialien, die Sie über die örtlichen Recyclingstellen entsorgen können.



Werfen Sie Elektrowerkzeuge nicht in den Hausmüll!

Gemäß Europäischer Richtlinie 2012/19/EU müssen verbrauchte Elektrowerkzeuge getrennt gesammelt und einer umweltgerechten Wiederverwertung zugeführt werden.



Werfen Sie Akkus nicht in den Hausmüll!

Defekte oder verbrauchte Akkus müssen gemäß Richtlinie 2006/66/EC recycelt werden. Geben Sie Akku-Pack und /oder das Gerät über die angebotenen Sammeleinrichtungen zurück.

Über Entsorgungsmöglichkeiten für ausgediente Elektrowerkzeuge / Akku-Pack informieren Sie sich bitte bei Ihrer Gemeinde- oder Stadtverwaltung.

Original-Konformitätserklärung

Wir, KOMPERNASS HANDELS GMBH, Dokumentenverantwortlicher: Herr Semi Uguzlu, BURGSTR. 21, 44867 BOCHUM, DEUTSCHLAND, erklären hiermit, dass dieses Produkt mit den folgenden Normen, normativen Dokumenten und EG-Richtlinien übereinstimmt:

Maschinenrichtlinie (2006 / 42 / EG)

EG-Niederspannungsrichtlinie (2014 / 35 / EU)

Elektromagnetische Verträglichkeit (2014 / 30 / EU)

RoHS Richtlinie (2011 / 65 / EU)*

*Die alleinige Verantwortung für die Ausstellung dieser Konformitätserklärung trägt der Hersteller. Der oben beschriebene Gegenstand der Erklärung erfüllt die Vorschriften der Richtlinie 2011/65/EU des Europäischen Parlaments und des Rates vom 8. Juni 2011 zur Beschränkung der Verwendung bestimmter gefährlicher Stoffe in Elektro- und Elektronikgeräten.

Angewandte harmonisierte Normen:

EN 60745-1: 2009 / A11: 2010

EN 60745-2-11: 2010

EN 62233: 2008

EN 55014-1: 2006 / A2: 2011

EN 55014-2: 2015

EN 60335-1: 2012 / A11: 2014

EN 60335-2-29: 2004 / A2:2010

EN 61000-3-2: 2014

EN 61000-3-3: 2013

Typbezeichnung der Maschine:

Akku-Pendelhubstichsäge PSTDA 20-Li A1

Herstellungsjahr: 10-2016

Seriennummer: IAN 279504

Bochum, 30.09.2016



Semi Uguzlu

- Qualitätsmanager -

Technische Änderungen im Sinne der Weiterentwicklung sind vorbehalten.

Ersatz-Akku Bestellung

Wenn Sie einen Ersatz-Akku für Ihr Gerät bestellen möchten, so können Sie dies entweder bequem im Internet unter www.kompernass.com oder telefonisch abwickeln.

Der Preis des Ersatz-Akkus beträgt 20 € inkl. MwSt. und Versand. Dieser Artikel kann aufgrund begrenzter Vorratsmenge nach kurzer Zeit ausverkauft sein.



Online-Bestellung

Um einen Ersatz-Akku über den Zubehör-Shop zu bestellen:

- Rufen Sie mit Ihrem Internetbrowser die Seite www.kompernass.com auf.
- Klicken Sie rechts unten auf die entsprechende Flagge, um das gewünschte Land und die Sprache auszuwählen.
- Klicken Sie jetzt auf den Reiter „Zubehör-Shop“ und wählen anschließend unter der Rubrik „Topseller“ den passenden Ersatz-Akku zu Ihrem Gerät aus.
- Nachdem Sie den Ersatz-Akku in den Warenkorb gelegt haben, klicken Sie auf die Schaltfläche „Kasse“ und befolgen die auf dem Bildschirm angezeigten Anweisungen, um den Bestellvorgang abzuschließen.

HINWEIS

- ▶ Die Bestellung von Ersatzteilen kann in einigen Ländern nicht online vorgenommen werden. Kontaktieren Sie in diesem Fall bitte die Service-Hotline.
- Die Aktion ist begrenzt auf einen Akku pro Kunde / Gerät, sowie auf eine Laufzeit von zwei Monaten nach dem Aktionszeitraum. Danach kann der Ersatzakku als Ersatzteil zu anderen Konditionen weiterhin bestellt werden.

Telefonische Bestellung

- DE Service Deutschland**
Tel.: 0800 5435 111 (Kostenfrei aus dem dt. Festnetz/Mobilfunknetz)
- AT Service Österreich**
Tel.: 0820 201 222 (0,15 EUR/Min.)
E-Mail: kompernass@lidl.at
- CH Service Schweiz**
Tel.: 0842 665566 (0,08 CHF/Min., Mobilfunk max. 0,40 CHF/Min.)
E-Mail: kompernass@lidl.ch

Um eine schnelle Bearbeitung Ihrer Bestellung zu gewährleisten, halten Sie bitte für alle Anfragen die Artikelnummer (z.B. IAN 279504) des Gerätes bereit. Die Artikelnummer entnehmen Sie bitte dem Typenschild oder dem Titelblatt dieser Anleitung.

KOMPERNASS HANDELS GMBH

BURGSTRASSE 21

44867 BOCHUM

DEUTSCHLAND/GERMANY

www.kompernass.com

Last Information Update - Stan informacij

Informacijos data - Stand der Informationen:

09/2016 Ident.-No.: PSTDA20-LiA1-092016-1

IAN 279504