

SILVER CREST®



www.lidl-service.com



RECHARGEABLE FLOOR SWEEPER SABD 3.7 LI C2

GB IE NI

RECHARGEABLE FLOOR SWEEPER

Operating instructions

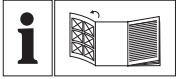
DE AT CH

AKKU-BESEN

Bedienungsanleitung

IAN 276990

GB IE NI



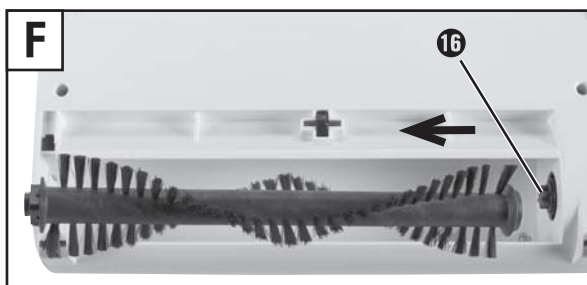
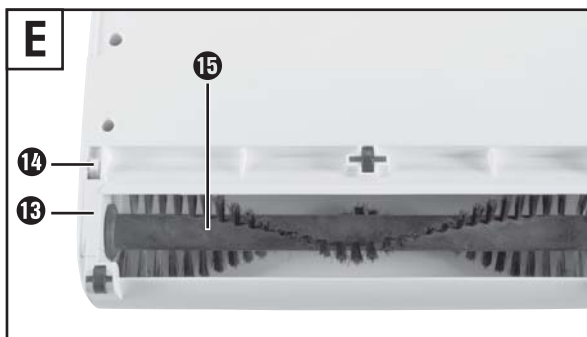
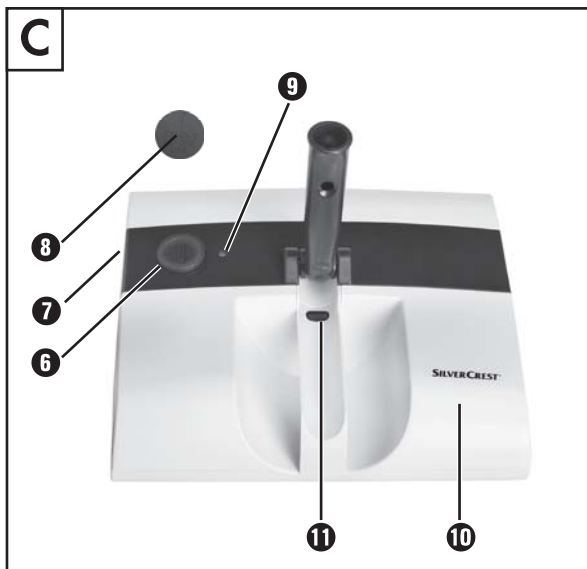
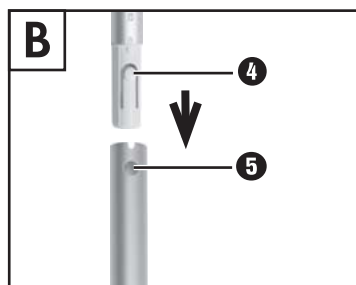
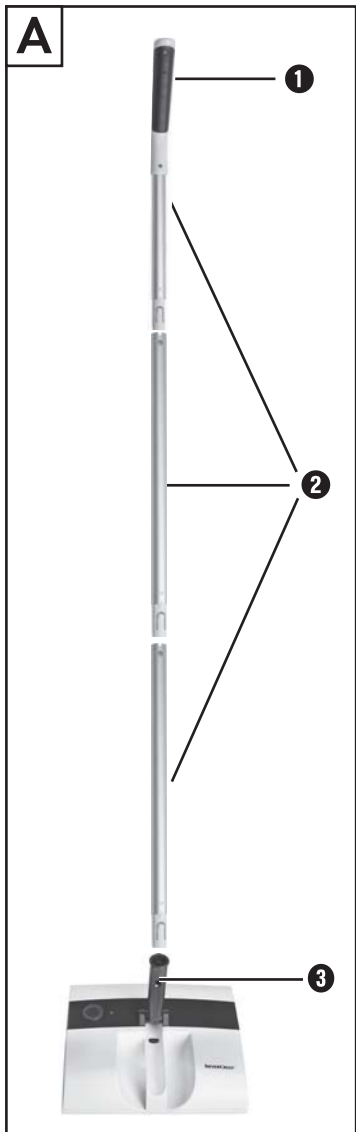
GB IE NI

Before reading, unfold the page containing the illustrations and familiarise yourself with all functions of the device.

DE AT CH

Klappen Sie vor dem Lesen die Seite mit den Abbildungen aus und machen Sie sich anschließend mit allen Funktionen des Gerätes vertraut.

GB/IE/NI	Operating instructions	Page	1
DE/AT/CH	Bedienungsanleitung	Seite	9



Contents

Introduction	2
Intended use	2
Package contents	2
Appliance description	2
Technical data	2
Safety information	3
Before first use	4
Assembly of the cordless sweeper	4
Charging the battery	5
Working with the cordless sweeper	5
Cleaning and Care	5
Housing	6
Dirt container	6
Rotary brush	6
Storage	6
Troubleshooting	6
Disposal	7
Disposal of the appliance	7
Disposal of the battery charger	7
Disposal of packaging	7
Kompernass Handels GmbH warranty	7
Service	8
Importer	8

Introduction

Congratulations on the purchase of your new appliance.

You have selected a high-quality product. The operating instructions are part of this product. They contain important information about safety, usage and disposal. Before using the product, please familiarise yourself with all operating and safety instructions. Use the product only as described and for the range of applications specified. Please also pass these operating instructions on to any future owner.

Intended use

This appliance is intended only for sweeping dry dirt in dry, enclosed rooms.

The appliance is intended exclusively for domestic use.

Not for commercial use. Use the appliance only as described in this manual.

Package contents

- Rechargeable Floor Sweeper
- Charger
- Handle (3 handle elements, of which one with handgrip)
- Operating instructions

Appliance description

Figure A:

- 1 Grip
- 2 Handle (3 elements)
- 3 Holder

Figure B:

- 4 Button on push-in connection
- 5 Recess on handle

Figure C:

- 6 On/Off switch
- 7 Charging socket

- 8 Plastic cap/transport securing appliance
- 9 Charge indicator
- 10 Dirt container
- 11 Release knob

Figure D:

- 12 Charger

Figure E:


- 13 Cover
- 14 Catch
- 15 Rotary brush

Figure F:

- 16 Driveshaft

Technical data

Charger

Input:	100 - 240 V ~, 50 / 60 Hz, 0.1 A max.
Output:	5.3 V \equiv 500 mA
Type designation:	GPE003W-053050-3
Protection class:	II/□
Manufacturer:	Golden Profit Electronics LTD
Polarity of coaxial connector:	

Cordless sweeper

Input voltage/current:	5.3 V \equiv 500 mA
Battery working voltage:	3.7 V
Battery:	lithium ion battery 1 x 3.7 V, 1800 mAh
Charging time with empty battery Akku:	5 hrs.
Operating time with full battery charge (depending on floor covering):	approx. 50 min.

Safety information

⚠ DANGER – RISK OF ELECTRICAL SHOCK!

- ▶ Never charge the appliance with a damaged mains adapter!
To avoid risks, replace a damaged power adapter immediately.
To do this, contact Customer Services.
- ▶ To avoid risks, arrange to have damaged power cables and/or plugs replaced as soon as possible by a qualified specialist.
- ▶ Ensure that the power cable does not become wet or moist during use.
Route the cable in such a way that it cannot be crushed or damaged.

⚠ WARNING! RISK OF INJURY!

- ▶ Operate the appliance only with the supplied accessories.
- ▶ Do not use the appliance to sweep exposed concrete, gravel or similar surfaces.
- ▶ Do not use the appliance to clean deep-pile carpets or wet floor coverings.
- ▶ This appliance may be used by children aged 8 years and above or by persons with limited physical, sensory or mental capabilities or lack of experience and knowledge, provided that they are under supervision or have been told how to use the appliance safely and are aware of the potential risks.
- ▶ Do not allow children to use the appliance as a plaything.
- ▶ Cleaning and user maintenance tasks may not be carried out by children unless they are supervised.
- ▶ Only use this appliance for its intended purpose as described in this operating instructions.

⚠ WARNING! RISK OF INJURY!

- ▶ This product contains rechargeable batteries. Do not throw the batteries into a fire and do not subject them to high temperatures. There is a risk of explosion!
- ▶ Do not use the appliance as a toy.
- ▶ Never leave children unsupervised in the vicinity of the appliance!

ATTENTION! PROPERTY DAMAGE!

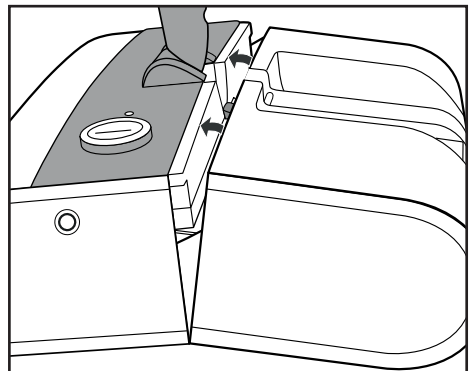
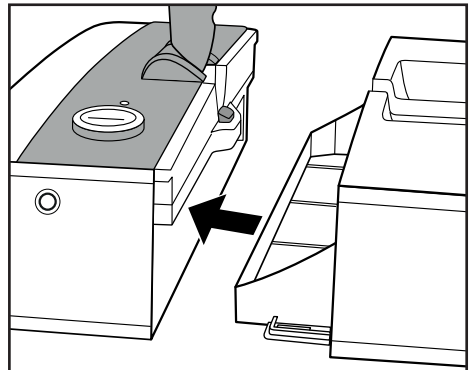
- ▶ Only charge the appliance with the mains adapter/charger supplied (Type GPE003W-053050-3)!
- ▶ Only this cordless sweeper may be charged with the supplied battery charger; the charger is not suitable for other batteries.
- ▶ Never attempt to recharge non-rechargeable batteries.

Before first use

- Remove the packaging material from the appliance including the plastic cap ⑧, which safeguards the on/off switch ⑥ from unintentional pressure during transport.

Assembly of the cordless sweeper

- Attach the handle ②:
 - Fit the 3 handle elements ② together by pushing the push-in connection into the handle. Press the knob ④ on the push-in connection inwards and push it into the handle so that the head ④ engages in the recess on the handle ⑤. The handle elements are now firmly fixed together (see Figure B on the foldout page).
 - Push the assembled handle ② with the push-in connection into the holder ③ on the appliance and rotate the handle until it engages.
- Fitting the dirt container ⑩ on the appliance:



- Push the dirt container **10** into the appliance with a slight tilting movement. Ensure that the dirt container **10** engages in the push-in connection **11**.

Charging the battery

To ensure that the battery reaches its full performance potential, it is necessary to charge the battery for around 5 hours before the first use. Further charges will take up to 5 hours depending on the discharge level of the battery.

With a fully charged battery, the appliance provides an operating time of 50 minutes before recharging will be again required.

ATTENTION! PROPERTY DAMAGE!

- ▶ Only use the charger **12** supplied.
- ▶ Operate the appliance only with the battery fitted.
- ▶ Never attempt to remove the battery to recharge it.
- ▶ Do not attempt to open the battery housing or dismantle the battery. This will destroy it.

- 1) To charge the battery, ensure that the cordless sweeper is switched off. If necessary, switch it off using the on/off switch **6**.

NOTE

Do not use the cordless sweeper when it is connected to the charger **12**!

- 2) Insert the battery charger plug **12** into the charging socket **7** on the appliance and then plug the mains plug into a mains socket.
- 3) While the battery is charging, the charge indicator **9** lights up red. If this is not the case, check the connectors and whether the cordless sweeper is switched off.
- 4) Once the battery is fully charged, the charge indicator **9** lights up green. You can now use the appliance with full power again.
- 5) First unplug the charger **12** from the mains power socket and then the charger plug **12** from the charging socket **7** on the appliance.

Working with the cordless sweeper

⚠ WARNING! RISK OF INJURY!

Make sure you keep the rotating brush **15**, rods and appliance openings away from your face and body.

NOTE

Never use the appliance without the dirt container **10** attached. The dirt will simply be swirled up!

- Press the on/off switch **6** to switch the cordless sweeper on.
- Move the cordless sweeper backwards and forwards across the floor.
- If you press the on/off button **6** again, the appliance will switch off

You can leave the handle **2** engaged in the vertical position during breaks.

NOTE

On some kinds of carpets, the cordless sweeper may clatter or jump. If this is the case, work slowly and in the opposite direction to the carpet pile.

Cleaning and Care

⚠ DANGER – RISK OF ELECTRICAL SHOCK!

- ▶ Do not clean the appliance while charging it. Always disconnect the battery charger **12** from the mains power socket before cleaning the appliance!



NEVER immerse the appliance in water or any other liquid!

⚠ WARNING! RISK OF INJURY!

Ensure that the appliance is not accidentally switched on without the dirt container **10** attached or while cleaning the rotary brush **15**. Risk of injury!

ATTENTION! PROPERTY DAMAGE!

- ▶ Do not use abrasive or aggressive cleaning materials. These may damage the surfaces.

Housing

- Wipe off the appliance housing with a damp cloth. If required, use a mild washing-up liquid on the cloth.
- Ensure that the appliance is completely dry before reconnecting it with the battery charger 12.

Dirt container

To ensure that the performance of the cordless sweeper does not deteriorate, empty the dirt container 10 after every use.

- Press the push-in connection 11 on the dirt container 10 and pull it off.
- Empty the dirt container 10 and push it back onto the appliance so that it sits firmly on the appliance and clicks into place on the release knob 11.

Rotary brush

If the rotary brush 15 stops turning because of a severe dirt accumulation or because threads have caught around it, proceed as follows:

Dismount the rotary brush 15. While doing this, observe Figures E and F on the fold-out page in this instruction manual:

- 1) Turn the cordless sweeper around and hold it so that the rotary brush 15 is facing you.
- 2) Pull the hook on the locking appliance 14 and take the side cover 13 off.
- 3) Pull the rotary brush 15 upwards out of the appliance and then pull it out to the side.
- 4) Remove any dirt (on both sides of the brush bristles) and clean the rotary brush 15. To do this, take a damp cloth and wipe the individual bristle bundles from the inside to the outside.

Replace the rotary brush 15.

- 1) Push the round side of the rotary brush 15 onto the drive shaft 16.
- 2) In Push the square end of the rotary brush 15 into the housing so that the rotary brush 15 sits straight in the housing again.
- 3) Replace the cover 13 and screw it down firmly. Ensure that the locking appliance engages properly.

Storage

ATTENTION! PROPERTY DAMAGE!

- ▶ Ensure that the appliance is switched off before putting it away. Otherwise the battery could be damaged by excessive discharging.
- Store the cleaned appliance in a clean, dust-free and dry place.

Troubleshooting

The appliance will not start.

- The battery is discharged. Recharge the appliance.
- The appliance is defective. Contact the Customer Service department.

The rotary brush 15 generates loud noises when revolving.

- The rotary brush 15 is soiled. Clean the rotary brush 15.
- The rotary brush 15 is not inserted properly. Check whether the rotary brush 15 is correctly fitted and correct the fitting if required.

Disposal

Disposal of the appliance



Never dispose of the appliance in your normal domestic waste. This product is subject to the provisions of European Directive 2012/19/EU.

Dispose of the appliance via an approved disposal company or your municipal waste facility. Please comply with all applicable regulations. Please contact your waste disposal centre if you are in any doubt.

NOTE

- ▶ The integrated rechargeable battery in this appliance cannot be removed for disposal.

Disposal of the battery charger



Do not dispose of the battery charger in your normal domestic waste. This product is subject to the provisions of European Directive 2012/19/EU.

Dispose of the battery charger via an approved disposal company or your municipal waste facility. Please comply with all applicable regulations. Please contact your waste disposal facility if you are in any doubt.

Disposal of packaging



The packaging is made from environmentally friendly material and can be disposed of at your local recycling plant.

Kompernass Handels GmbH warranty

Dear Customer,

This appliance has a 3-year warranty valid from the date of purchase. If this product has any faults, you, the buyer, have certain statutory rights. Your statutory rights are not restricted in any way by the warranty described below.

Warranty conditions

The validity period of the warranty starts from the date of purchase. Please keep your original receipt in a safe place. This document will be required as proof of purchase.

If any material or production fault occurs within three years of the date of purchase of the product, we will either repair or replace the product for you at our discretion. This warranty service is dependent on you presenting the defective appliance and the proof of purchase (receipt) and a short written description of the fault and its time of occurrence.

If the defect is covered by the warranty, your product will either be repaired or replaced by us. The repair or replacement of a product does not signify the beginning of a new warranty period.

Warranty period and statutory claims for defects

The warranty period is not prolonged by repairs effected under the warranty. This also applies to replaced and repaired components. Any damage and defects present at the time of purchase must be reported immediately after unpacking. Repairs carried out after expiry of the warranty period shall be subject to a fee.

Scope of the warranty

This appliance has been manufactured in accordance with strict quality guidelines and inspected meticulously prior to delivery.

The warranty covers material faults or production faults. The warranty does not extend to product parts subject to normal wear and tear or fragile parts such as switches, batteries, baking moulds or parts made of glass.

The warranty does not apply if the product has been damaged, improperly used or improperly maintained. The directions in the operating instructions for the product regarding proper use of the product are to be strictly followed. Uses and actions that are discouraged in the operating instructions or which are warned against must be avoided.

This product is intended solely for private use and not for commercial purposes. The warranty shall be deemed void in cases of misuse or improper handling, use of force and modifications/repairs which have not been carried out by one of our authorised Service centres.

Warranty claim procedure

To ensure quick processing of your case, please observe the following instructions:

- Please have the till receipt and the item number (e.g. IAN 12345) available as proof of purchase.
- You will find the item number on the type plate, an engraving on the front page of the instructions (bottom left), or as a sticker on the rear or bottom of the appliance.
- If functional or other defects occur, please contact the service department listed either by **telephone** or by **e-mail**.
- You can return a defective product to us free of charge to the service address that will be provided to you. Ensure that you enclose the proof of purchase (till receipt) and information about what the defect is and when it occurred.



You can download these instructions along with many other manuals, product videos and software on www.lidl-service.com.

Service

GB Service Great Britain

Tel.: 0871 5000 720 (£ 0.10/Min.)

E-Mail: kompennass@lidl.co.uk

IE Service Ireland

Tel.: 1890 930 034

(0,08 EUR/Min., (peak))

(0,06 EUR/Min., (off peak))

E-Mail: kompennass@lidl.ie

IAN 276990

Importer

Please note that the following address is not the service address. Please use the service address provided in the operating instructions.

KOMPENASS HANDELS GMBH

BURGSTRASSE 21

44867 BOCHUM

GERMANY

www.kompennass.com

Inhaltsverzeichnis

Einleitung	10
Bestimmungsgemäßer Gebrauch	10
Lieferumfang	10
Gerätebeschreibung	10
Technische Daten	10
Sicherheitshinweise	11
Vor dem ersten Gebrauch	12
Zusammenbau des Akku-Besens	12
Akku laden	13
Mit dem Akku-Besen arbeiten	13
Reinigung und Pflege	13
Gehäuse	14
Schmutzbehälter	14
Bürstenrolle	14
Aufbewahrung	14
Fehler beheben	14
Entsorgung	15
Gerät entsorgen	15
Ladegerät entsorgen	15
Verpackung entsorgen	15
Garantie der Kompernaß Handels GmbH	15
Service	16
Importeur	16

Einleitung

Herzlichen Glückwunsch zum Kauf Ihres neuen Gerätes.

Sie haben sich damit für ein hochwertiges Produkt entschieden. Die Bedienungsanleitung ist Bestandteil dieses Produkts. Sie enthält wichtige Hinweise für Sicherheit, Gebrauch und Entsorgung. Machen Sie sich vor der Benutzung des Produkts mit allen Bedien- und Sicherheitshinweisen vertraut. Benutzen Sie das Produkt nur wie beschrieben und für die angegebenen Einsatzbereiche. Händigen Sie alle Unterlagen bei Weitergabe des Produkts an Dritte mit aus.

Bestimmungsgemäßer Gebrauch

Dieses Gerät ist ausschließlich vorgesehen zum Kehren von trockenem Schmutz in trockenen, geschlossenen Räumen.

Dieses Gerät ist ausschließlich für den privaten Gebrauch bestimmt.

Benutzen Sie das Gerät nicht gewerblich. Nutzen Sie das Gerät nur wie in dieser Anleitung beschrieben.

Lieferumfang

- Akku-Besen
- Ladegerät
- Stiel (3 Stiel-Elemente, davon eines mit Griff)
- Bedienungsanleitung

Gerätebeschreibung

Abbildung A:

- 1 Griff
- 2 Stiel (3 Elemente)
- 3 Halterung

Abbildung B:

- 4 Knopf an der Steckverbindung
- 5 Aussparung am Stiel

Abbildung C:

- 6 Ein-/Aus-Schalter
- 7 Ladebuchse

- 8 Plastikkappe/Transportsicherung
- 9 Ladeanzeige
- 10 Schmutzbehälter
- 11 Entriegelungsknopf

Abbildung D:

- 12 Ladegerät

Abbildung E:


- 13 Abdeckung
- 14 Verriegelung
- 15 Bürstenrolle

Abbildung F:

- 16 Antriebswelle

Technische Daten

Ladegerät

Eingang:	100 - 240 V ~, 50 / 60 Hz, 0,1 A max.
Ausgang:	5,3 V \equiv 500 mA
Typenbezeichnung:	GPE003W-053050-3
Schutzklasse:	II / 
Hersteller:	Golden Profit Electronics LTD

Polarität des Hohlsteckers: 

Akku-Besen

Eingangsspannung/-strom:	5,3 V \equiv 500 mA
Akku - Arbeitsspannung:	3,7 V
Akku:	Lithium-Ionen Akku 1 x 3,7 V, 1800 mAh

Ladezeit bei leerem Akku: 5 Std.

Betriebszeit bei voller Akkuladung
(abhängig vom Bodenbelag): ca. 50 Min

Sicherheitshinweise

⚠ GEFAHR - ELEKTRISCHER SCHLAG!

- ▶ Laden Sie das Gerät niemals mit einem beschädigten Netzteil! Tauschen Sie ein beschädigtes Netzteil sofort aus, um Gefährdungen zu vermeiden. Wenden Sie sich hierzu an den Kundenservice.
- ▶ Lassen Sie beschädigte Netzstecker oder Netzkabel am Netzteil sofort von autorisiertem Fachpersonal austauschen, um Gefährdungen zu vermeiden.
- ▶ Achten Sie darauf, dass im Betrieb das Netzkabel nicht nass oder feucht wird. Führen Sie es so, dass es nicht eingeklemmt oder beschädigt werden kann.

⚠ WARNUNG! VERLETZUNGSGEFAHR!

- ▶ Betreiben Sie das Gerät nur mit dem mitgeliefertem Zubehör.
- ▶ Benutzen Sie das Gerät nicht, um Waschbeton, Schotter und ähnliche Oberflächen zu kehren.
- ▶ Benutzen Sie das Gerät nicht, um hochflorige Teppiche und nasse Bodenbeläge zu säubern.
- ▶ Dieses Gerät kann von Kindern ab 8 Jahren und darüber sowie von Personen mit verringerten physischen, sensorischen oder mentalen Fähigkeiten oder Mangel an Erfahrung und Wissen benutzt werden, wenn sie beaufsichtigt oder bezüglich des sicheren Gebrauchs des Gerätes unterwiesen wurden und die daraus resultierenden Gefahren verstehen.
- ▶ Kinder dürfen nicht mit dem Gerät spielen.
- ▶ Reinigung und Benutzer-Wartung dürfen nicht von Kindern ohne Beaufsichtigung durchgeführt werden.
- ▶ Verwenden Sie dieses Gerät nur zum bestimmungsgemäßen Gebrauch gemäß Beschreibung in dieser Bedienungsanleitung.

⚠ **WARNUNG! VERLETZUNGSGEFAHR!**

- ▶ Dieses Produkt enthält wiederaufladbare Akkus. Werfen Sie die Akkus nicht ins Feuer und setzen Sie sie nicht hohen Temperaturen aus. Es besteht Explosionsgefahr!
- ▶ Verwenden Sie das Gerät nicht als Spielzeug.
- ▶ Lassen Sie Kinder nicht unbeaufsichtigt mit dem Gerät umgehen.

ACHTUNG! SACHSCHÄDEN!

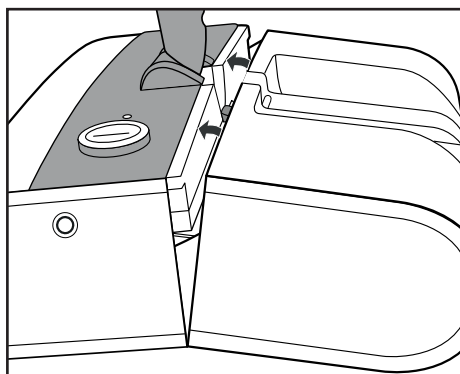
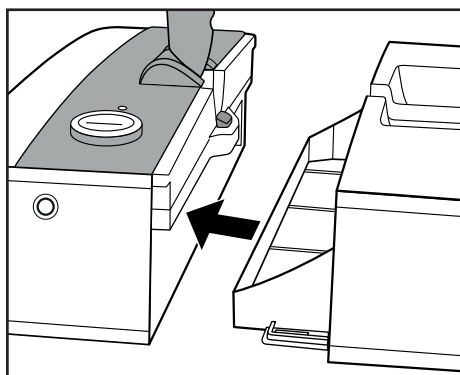
- ▶ Laden Sie das Gerät nur mit dem mitgelieferten Netzadapter/Ladegerät (Typ GPE003W-053050-3) auf!
- ▶ Mit dem beigegefügt Ladegerät darf ausschließlich der Akku-Besen geladen werden, das Ladegerät ist für andere Akkus nicht geeignet.
- ▶ Versuchen Sie niemals, nicht wiederaufladbare Batterien aufzuladen.

Vor dem ersten Gebrauch

- Entfernen Sie alles Verpackungsmaterial vom Gerät, sowie die Plastikkappe **8**, die den Ein-/Aus-Schalter **6** vor unbeabsichtigtem Drücken während des Transportes sichert.

Zusammenbau des Akku-Besens

- Montieren Sie den Stiel **2**:
 - Stecken Sie die 3 Stielelemente **2** zusammen, indem Sie die Steckverbindung in den Stiel schieben. Drücken Sie den Knopf **4** an der Steckverbindung ein und schieben Sie diese so in den Stiel, dass der Knopf **4** in der Aussparung am Stiel **5** einrastet. Die Stielelemente sind nun fest verbunden (siehe Abbildung B auf der Ausklapppseite).
 - Stecken Sie den montierten Stiel **2** mit der Steckverbindung in die Halterung **3** des Gerätes und drehen Sie den Stiel, bis er einrastet.
- Montieren Sie den Schmutzbehälter **10** auf das Gerät:



- Schieben Sie den Schmutzbehälter **10** mit einer leichten Kippbewegung in das Gerät. Achten Sie darauf, dass der Schmutzbehälter **10** am Entriegelungsknopf **11** einrastet.

Akku laden

Damit der Akku seine volle Leistungsfähigkeit erhält, ist es vor dem ersten Gebrauch notwendig, den Akku ca. 5 Stunden zu laden. Weitere Ladevorgänge benötigen, je nach Entladung des Akkus, bis zu 5 Stunden.

Das Gerät bietet bei voll geladenem Akku eine Betriebszeit von ca. 50 Min, bevor ein erneutes Aufladen notwendig ist.

ACHTUNG! SACHSCHADEN!

- ▶ Verwenden Sie nur das beigegefügte Ladegerät **12**.
- ▶ Betreiben Sie das Gerät nur mit dem eingebauten Akku.
- ▶ Versuchen Sie nicht den Akku zum Aufladen auszubauen.
- ▶ Versuchen Sie nicht, die Akku-Hülle zu öffnen oder den Akku zu zerlegen, dies würde den Akku zerstören.

- 1) Um den Akku zu laden, stellen Sie sicher, dass der Akku-Besen ausgeschaltet ist. Schalten Sie ihn gegebenenfalls am Ein-/Aus-Schalter **6** aus.

HINWEIS

Benutzen Sie den Akkubesen nicht, wenn das Gerät mit dem Ladegerät **12** verbunden ist!

- 2) Stecken Sie den Stecker des Ladegerätes **12** in die Ladebuchse **7** des Gerätes und dann den Netzstecker in eine Netzsteckdose.
- 3) Während des Ladevorgangs leuchtet die rote Ladeanzeige **9**. Sollte dies nicht der Fall sein, überprüfen Sie die Steckerverbindungen und ob der Akku-Besen ausgeschaltet ist.
- 4) Ist der Akku aufgeladen, leuchtet die Ladeanzeige **9** grün. Sie können dann das Gerät wieder mit voller Leistung benutzen.
- 5) Ziehen Sie das Ladegerät **12** aus der Netzsteckdose und den Stecker des Ladegerätes **12** aus der Ladebuchse **7** am Gerät.

Mit dem Akku-Besen arbeiten

⚠️ WARNUNG! VERLETZUNGSGEFAHR!

Halten Sie die rotierende Bürstenrolle **15**, Stäbe und Geräteöffnungen fern von Gesicht und Körper.

HINWEIS

Benutzen Sie das Gerät niemals mit abgenommenem Schmutzbehälter **10**. Der Schmutz würde nur aufgewirbelt!

- Drücken Sie den Ein-/Aus-Schalter **6**, um den Akku-Besen einzuschalten.
- Führen Sie den Akku-Besen nun vor und zurück über den Boden.
- Durch erneutes Drücken des Ein-/Aus-Schalters **6** schaltet sich das Gerät aus.

Sie können den Stiel **2** bei Arbeitsunterbrechungen in senkrechter Position eingerastet lassen.


HINWEIS

Bei einigen Teppicharten könnte der Akku-Besen rattern oder hüpfen. Arbeiten Sie in diesem Fall langsam und in entgegengesetzter Richtung zum Teppichflor.

Reinigung und Pflege

⚠️ GEFAHR - ELEKTRISCHER SCHLAG!

- ▶ Reinigen Sie das Gerät nicht während des Ladevorgangs. Ziehen Sie das Ladegerät **12** vor der Reinigung des Gerätes immer aus der Netzsteckdose!

 Tauchen Sie das Gerät niemals in Wasser oder andere Flüssigkeiten!

⚠️ WARNUNG! VERLETZUNGSGEFAHR!

Achten Sie darauf, dass das Gerät bei abgenommenem Schmutzbehälter **10** oder bei der Reinigung der Bürstenrolle **15** nicht unbeabsichtigt eingeschaltet wird. Verletzungsgefahr!

ACHTUNG! SACHSCHADEN!

- ▶ Verwenden Sie keine scheuernden oder aggressiven Reinigungsmittel. Diese können die Oberflächen beschädigen!

Gehäuse

- Wischen Sie das Gehäuse des Gerätes mit einem feuchten Tuch ab. Bei Bedarf geben Sie ein mildes Spülmittel auf das Tuch.
- Achten Sie darauf, dass das Gerät vollständig trocken ist, bevor Sie es wieder mit dem Ladegerät **12** verbinden.

Schmutzbehälter

Um die Leistungsfähigkeit des Akku-Besens zu erhalten, leeren Sie den Schmutzbehälter **10** nach jedem Gebrauch.

- Drücken Sie den Entriegelungsknopf **11** des Schmutzbehälters **10** und ziehen Sie ihn ab.
- Leeren Sie den Schmutzbehälter **10** und schieben Sie ihn wieder so auf das Gerät, dass dieser fest sitzt und am Entriegelungsknopf **11** einrastet.

Bürstenrolle

Sollte sich die Bürstenrolle **15** nicht mehr drehen lassen, weil sich grobe Verschmutzungen oder Fäden angesammelt haben, gehen Sie wie folgt vor:

Bauen Sie die Bürstenrolle **15** aus. Beachten Sie dazu die Abbildung E und F auf der Ausklappseite dieser Bedienungsanleitung:

- 1) Drehen Sie den Akku-Besen um und halten Sie ihn so, dass die Bürstenrolle **15** zu Ihnen zeigt.
- 2) Ziehen Sie am Haken der Verriegelung **14** und nehmen Sie die seitliche Abdeckung **13** ab.
- 3) Ziehen Sie die Bürstenrolle **15** nach oben aus dem Gehäuse und anschließend seitlich heraus.
- 4) Entfernen Sie Verschmutzungen (auf beiden Seiten der Borsten) und säubern Sie die Bürstenrolle **15**. Nehmen Sie dafür ein feuchtes Tuch und wischen von innen nach außen die einzelnen Borstenbündel ab.

Setzen Sie die Bürstenrolle **15** wieder ein:

- 1) Schieben Sie die runde Seite der Bürstenrolle **15** auf die Antriebswelle **16**.
- 2) Schieben Sie das eckige Ende der Bürstenrolle **15** in das Gehäuse, so dass die Bürstenrolle **15** wieder gerade im Gehäuse sitzt.
- 3) Setzen Sie die Abdeckung **13** wieder auf das Gehäuse. Achten Sie darauf, dass die Verriegelung einrastet.

Aufbewahrung

ACHTUNG! SACHSCHADEN!

- ▶ Stellen Sie sicher, dass das Gerät ausgeschaltet ist, wenn Sie es verstauen. Der Akku könnte ansonsten durch Tiefentladung beschädigt werden.

- Bewahren Sie das gereinigte Gerät an einem sauberen, staubfreien und trockenen Ort auf.

Fehler beheben

Das Gerät startet nicht.

- Das Gerät ist entladen. Laden Sie das Gerät erst wieder auf.
- Das Gerät ist defekt. Wenden Sie sich an den Service.

Die Bürstenrolle **15** erzeugt beim Drehen laute Geräusche.

- Die Bürstenrolle **15** ist verschmutzt. Reinigen Sie die Bürstenrolle **15**.
- Die Bürstenrolle **15** ist nicht richtig eingesetzt. Überprüfen Sie, ob die Bürstenrolle **15** korrekt eingesetzt ist und korrigieren Sie gegebenenfalls den Einbau.

Entsorgung

Gerät entsorgen



Werfen Sie das Gerät keinesfalls in den normalen Hausmüll. Dieses Produkt unterliegt der europäischen Richtlinie 2012/19/EU.

Entsorgen Sie das Gerät über einen zugelassenen Entsorgungsbetrieb oder über Ihre kommunale Entsorgungseinrichtung. Beachten Sie die aktuell geltenden Vorschriften. Setzen Sie sich im Zweifelsfall mit Ihrer Entsorgungseinrichtung in Verbindung.

HINWEIS

- ▶ Der integrierte Akku dieses Gerätes kann zur Entsorgung nicht entfernt werden.

Ladegerät entsorgen



Werfen Sie das Ladegerät keinesfalls in den normalen Hausmüll. Dieses Produkt unterliegt der europäischen Richtlinie 2012/19/EU.

Entsorgen Sie das Ladegerät über einen zugelassenen Entsorgungsbetrieb oder über Ihre kommunale Entsorgungseinrichtung. Beachten Sie die aktuell geltenden Vorschriften. Setzen Sie sich im Zweifelsfall mit Ihrer Entsorgungseinrichtung in Verbindung.

Verpackung entsorgen



Die Verpackung besteht aus umweltfreundlichen Materialien, die Sie über die örtlichen Recyclingstellen entsorgen können.

Garantie der Kompernaß Handels GmbH

Sehr geehrte Kundin, sehr geehrter Kunde,

Sie erhalten auf dieses Gerät 3 Jahre Garantie ab Kaufdatum. Im Falle von Mängeln dieses Produkts stehen Ihnen gegen den Verkäufer des Produkts gesetzliche Rechte zu. Diese gesetzlichen Rechte werden durch unsere im Folgenden dargestellte Garantie nicht eingeschränkt.

Garantiebedingungen

Die Garantiefrist beginnt mit dem Kaufdatum. Bitte bewahren Sie den Original-Kassenbon gut auf. Diese Unterlage wird als Nachweis für den Kauf benötigt.

Tritt innerhalb von drei Jahren ab dem Kaufdatum dieses Produkts ein Material- oder Fabrikationsfehler auf, wird das Produkt von uns – nach unserer Wahl – für Sie kostenlos repariert oder ersetzt. Diese Garantieleistung setzt voraus, dass innerhalb der Drei-Jahres-Frist das defekte Gerät und der Kaufbeleg (Kassenbon) vorgelegt und schriftlich kurz beschrieben wird, worin der Mangel besteht und wann er aufgetreten ist.

Wenn der Defekt von unserer Garantie gedeckt ist, erhalten Sie das reparierte oder ein neues Produkt zurück. Mit Reparatur oder Austausch des Produkts beginnt kein neuer Garantiezeitraum.

Garantiezeit und gesetzliche Mängelansprüche

Die Garantiezeit wird durch die Gewährleistung nicht verlängert. Dies gilt auch für ersetzte und reparierte Teile. Eventuell schon beim Kauf vorhandene Schäden und Mängel müssen sofort nach dem Auspacken gemeldet werden. Nach Ablauf der Garantiezeit anfallende Reparaturen sind kostenpflichtig.

Garantieumfang

Das Gerät wurde nach strengen Qualitätsrichtlinien sorgfältig produziert und vor Auslieferung gewissenhaft geprüft.

Die Garantieleistung gilt für Material- oder Fabrikationsfehler. Diese Garantie erstreckt sich nicht auf Produktteile, die normaler Abnutzung ausgesetzt sind und daher als Verschleißteile angesehen werden können oder für Beschädigungen an zerbrechlichen Teilen, z. B. Schalter, Akkus, Backformen oder Teile die aus Glas gefertigt sind.

Diese Garantie verfällt, wenn das Produkt beschädigt, nicht sachgemäß benutzt oder gewartet wurde. Für eine sachgemäße Benutzung des Produkts sind alle in der Bedienungsanleitung aufgeführten Anweisungen genau einzuhalten. Verwendungszwecke und Handlungen, von denen in der Bedienungsanleitung abgeraten oder vor denen gewarnt wird, sind unbedingt zu vermeiden.

Das Produkt ist nur für den privaten und nicht für den gewerblichen Gebrauch bestimmt. Bei missbräuchlicher und unsachgemäßer Behandlung, Gewaltanwendung und bei Eingriffen, die nicht von unserer autorisierten Service-Niederlassung vorgenommen wurden, erlischt die Garantie.

Abwicklung im Garantiefall

Um eine schnelle Bearbeitung ihres Anliegens zu gewährleisten, folgen Sie bitte den folgenden Hinweisen:

- Bitte halten Sie für alle Anfragen den Kassenbono und die Artikelnummer (z. B. IAN 12345) als Nachweis für den Kauf bereit.
- Die Artikelnummer entnehmen Sie bitte dem Typenschild, einer Gravur, auf dem Titelblatt ihrer Anleitung (unten links) oder als Aufkleber auf der Rück- oder Unterseite.
- Sollten Funktionsfehler oder sonstige Mängel auftreten, kontaktieren Sie zunächst die nachfolgend benannte Serviceabteilung **telefonisch** oder per **E-Mail**.
- Ein als defekt erfasstes Produkt können Sie dann unter Beifügung des Kaufbelegs (Kassenbono) und der Angabe, worin der Mangel besteht und wann er aufgetreten ist, für Sie portofrei an die Ihnen mitgeteilte Service-Anschrift übersenden.



Auf www.lidl-service.com können Sie diese und viele weitere Handbücher, Produktvideos und Software herunterladen.

Service

DE Service Deutschland

Tel.: 0800 5435 111 (Kostenfrei aus dem dt. Festnetz/Mobilfunknetz)
E-Mail: kompernass@lidl.de

AT Service Österreich

Tel.: 0820 201 222 (0,15 EUR/Min.)
E-Mail: kompernass@lidl.at

CH Service Schweiz

Tel.: 0842 665566 (0,08 CHF/Min., Mobilfunk max. 0,40 CHF/Min.)
E-Mail: kompernass@lidl.ch

IAN 276990

Importeur

Bitte beachten Sie, dass die folgende Anschrift keine Serviceanschrift ist. Kontaktieren Sie zunächst die benannte Servicestelle.

KOMPERNASS HANDELS GMBH
BURGSTRASSE 21
44867 BOCHUM
GERMANY
www.kompernass.com

KOMPERNASS HANDELS GMBH

BURGSTRASSE 21

44867 BOCHUM

DEUTSCHLAND / GERMANY

www.kompernass.com

Last Information Update · Stand der Informationen:

06 / 2016 · Ident.-No.: SABD3.7LIC2-032016-3

IAN 276990