

# SILVERCREST®



[www.lidl-service.com](http://www.lidl-service.com)



## ELECTRIC OVEN & GRILL SGBR 1500 B3

GB IE NI

### ELECTRIC OVEN & GRILL

Operating instructions

FR BE

### MINI FOUR/GRIL

Mode d'emploi

DE AT CH

### GRILL- UND BACKAUTOMAT

Bedienungsanleitung

DK

### MINIOVN

Betjeningsvejledning

NL BE

### GRILL- EN BAKAUTOMAAT

Gebruiksaanwijzing

IAN 274498

DK BE NL



GB IE NI

Before reading, unfold the page containing the illustrations and familiarise yourself with all functions of the device.

---

DK

Før du læser, vend siden med billeder frem og bliv bekendt med alle apparatets funktioner.

---

FR BE

Avant de lire le mode d'emploi, ouvrez la page contenant les illustrations et familiarisez-vous ensuite avec toutes les fonctions de l'appareil.

---

NL BE

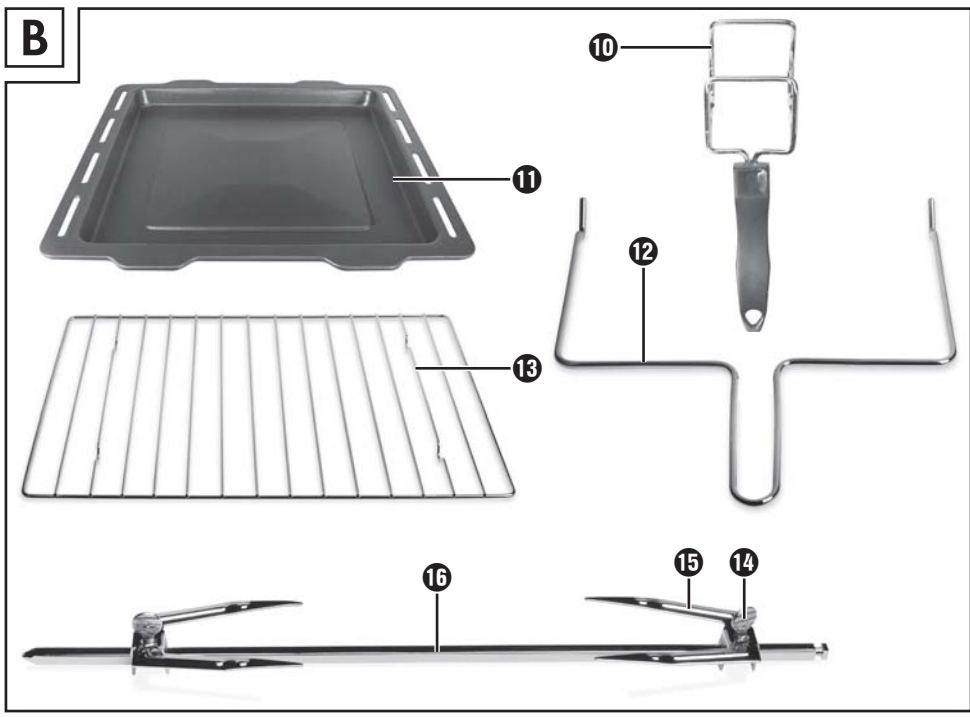
Vouw vóór het lezen de pagina met de afbeeldingen open en maak u vertrouwd met alle functies van het apparaat.

---

DE AT CH

Klappen Sie vor dem Lesen die Seite mit den Abbildungen aus und machen Sie sich anschließend mit allen Funktionen des Gerätes vertraut.

GB/IE/NI	Operating instructions	Page	1
DK	Betjeningsvejledning	Side	21
FR/BE	Mode d'emploi	Page	41
NL/BE	Gebruiksaanwijzing	Pagina	61
DE/AT/CH	Bedienungsanleitung	Seite	81



## Contents

<b>Introduction</b> .....	<b>2</b>
<b>Proper use</b> .....	<b>2</b>
<b>Package contents</b> .....	<b>2</b>
<b>Appliance description</b> .....	<b>2</b>
<b>Technical data</b> .....	<b>2</b>
<b>Safety instructions</b> .....	<b>3</b>
<b>Setting up</b> .....	<b>6</b>
<b>Using the appliance</b> .....	<b>6</b>
Glass door .....	6
Inserting the crumb tray .....	6
Using the rotisserie .....	7
Using the baking tray/rack .....	8
<b>Before first use</b> .....	<b>8</b>
<b>Operating the appliance</b> .....	<b>9</b>
Function switch .....	9
Temperature control .....	9
Timer .....	9
<b>Grilling and baking</b> .....	<b>9</b>
<b>Grilling with the rotisserie</b> .....	<b>10</b>
<b>Cleaning and care</b> .....	<b>12</b>
<b>Storage</b> .....	<b>12</b>
<b>Troubleshooting</b> .....	<b>13</b>
<b>Disposal</b> .....	<b>14</b>
<b>Kompernass Handels GmbH warranty</b> .....	<b>14</b>
Service .....	15
Importer .....	15
<b>Recipes</b> .....	<b>16</b>

## Introduction

Congratulations on the purchase of your new appliance.

You have selected a high-quality product. The operating instructions are part of this product. They contain important information on safety, usage and disposal. Before using the product, familiarise yourself with all handling and safety guidelines. Use the product only as described and for the range of applications specified. Please also pass these operating instructions on to any future owner(s).

## Proper use

The automatic oven and grill is intended for the heating, cooking and grilling of food.

This appliance is intended solely for use in private homes. Do not use it for commercial applications.

All other uses are deemed to be improper and may result in property damage or even in personal injury.

## Package contents

- ◆ Electric Oven & Grill
- ◆ 1 baking tray
- ◆ 1 rack
- ◆ 2 tongs
- ◆ Rotisserie with 2 clamps
- ◆ 1 crumb tray
- ◆ Operating instructions

### NOTE

Check contents for completeness and damage immediately after unpacking. Contact Customer Services if necessary.

## Appliance description

Figure A:

- ❶ Drive
- ❷ Temperature control
- ❸ Function switch
- ❹ Timer
- ❺ Control lamp
- ❻ Glass door
- ❼ Crumb tray
- ❽ Lower heating element
- ❾ Spit fitting

Figure B:

- ❿ Tongs (baking tray or rack)
- ⓫ Baking tray
- ⓬ Tongs (for spit)
- ⓭ rack
- ⓮ Restrainer
- ⓯ Skewer clamps
- ⓰ Rotisserie

## Technical data

Rated voltage: 220 - 240 V ~,  
50/60 Hz


Max. power consumption: 1500 W



All of the parts of this appliance that come into contact with food are food-safe.

## Safety instructions

### **DANGER – RISK OF ELECTRIC SHOCK!**

- ▶ Do not open the housing of the appliance or attempt to repair it. Doing so can lead to risks and also invalidates the warranty. Defective appliances should be repaired by the retailer or authorized personnel only.
  - ▶ Arrange for defective power plugs and/or cables to be replaced as soon as possible by a qualified technician or by our Customer Service Department to avoid the risk of injury.
  - ▶ Do not allow any liquids to penetrate the housing. Do not expose the appliance to moisture and do not use it outdoors. Additionally, do not place fluid-filled receptacles such as flower vases on the appliance. This increases the risk of fire and of receiving an electric shock! If liquids permeate into the housing, unplug the appliance immediately and arrange for it to be repaired by a qualified technician.
  - ▶ Never touch the appliance, power cable or power plug with wet hands. There is a risk of electric shock!
-  **NEVER** immerse the appliance in water or other liquids!  
Risk of electrocution if residual liquids come into contact with live components during operation.

## **⚠ WARNING – RISK OF INJURY!**

- ▶ This appliance may be used by children of the age of 8 years or more and by persons with reduced physical, sensory or mental capabilities or lack of experience and/or knowledge if they are being supervised or have been instructed with regard to the safe use of the appliance and have understood the potential risks.
- ▶ Children must not use the appliance as a plaything.
- ▶ Cleaning and user maintenance must not be performed by children unless they are older than 8 years of age and are supervised.
- ▶ Children younger than 8 years of age must be kept away from the appliance and the power cable.
- ▶ Route the power cable in such a way that no one can tread on it or trip over it.
- ▶ Never touch the glass door or the housing during use, these can get very hot. Use oven gloves or something similar to open the glass door to avoid being burnt!
- ▶ Never touch the heating elements or the viewing window when the appliance is in use, or before it has cooled down completely. Do not reach into the cooking chamber when the appliance is in use. Wait until the appliance has cooled down. Otherwise, you could be burnt.
- ▶ Allow the appliance to cool down after use before transporting it.
- ▶ Always use oven gloves or a pot holder if you need to take hold of the appliance.



Caution! Hot surface!

**CAUTION – PROPERTY DAMAGE!**

- ▶ Do not use an external timer switch or a separate remote control system to operate the appliance.
- ▶ Never leave the appliance unattended during operation.
- ▶ Ensure that the appliance, the power cable and the plug do not come into contact with heat sources such as hotplates or naked flames.
- ▶ Only operate the appliance with the original accessories supplied.
- ▶ Do not kink or crush the mains cable.
- ▶ To disconnect, always remove the plug itself from the mains power socket, do not pull on the power cable.
- ▶ When the appliance is in use, ensure that there are no easily inflammable materials in the immediate vicinity (e.g. dishcloths, oven cloths, etc.).
- ▶ Never dry textiles or other objects on or above the appliance. This increases the risk of fire!



## Setting up

### **WARNING! RISK OF FIRE!**

- ▶ Never place the appliance beneath wall cupboards or next to curtains, cupboard walls or other flammable objects.
- ▶ Always ensure a minimum distance between the appliance and hanging cupboards, ceilings, side walls or similar of at least 10 cm above the appliance and 5 cm at the sides. For this reason the appliance may not be used, for example, in cupboards or similar. Otherwise there is likely to be insufficient ventilation for the appliance, which could cause a fire or damage.
- ▶ Always place the appliance on a heat-resistant surface. Failure to do so increases the risk of fire or of it being damaged. The area under the bottom can discolour and be damaged. Additionally, if placed on a soft upper surface, the appliance could cause permanent damage to it due to pressure indentations.

### **DANGER – ELECTRIC SHOCK!**

- ▶ Do not place the appliance immediately adjacent to sources of water, e.g. sinks or basins, or in damp cellar areas. Otherwise, there is a risk of receiving an electric shock.
- Place the appliance on a solid, level and heat-resistant surface (e.g. stainless steel worktops or natural stone worktops such as granite). Ensure there is sufficient ventilation around the appliance.
- Push the appliance up against the wall, with its rear side facing the wall. The spacers on the back must touch the wall. Ensure that the wall is made of heat-resistant material, e.g. tiles, natural stone or granite.
- Clean all components as described in the section "Cleaning and care".

## Using the appliance

### Glass door

#### **ATTENTION! DAMAGE TO PROPERTY!**

- ▶ Do not lean on the glass door **6**. Do not place any objects on the glass door **6**. This can cause damage to the hinges.
- If you are cooking especially fatty foodstuffs, this can result in increased smoke production. In this case, do not close the glass door **6** completely; instead, leave it slightly open: The glass door **6** has a latching position so that it remains open a little: if you carefully push the glass door **6** closed, it clicks into this position shortly before closing completely.
- When drying fruit (to make dried fruit), the glass door **6** should remain in the latching position to ensure that moisture can escape and that the fruit dries better.

### Inserting the crumb tray

- Push the crumb tray **7** under the lower heating element **8** so that it rests flat on the bottom of the appliance. You can use the bent up side as a handle.

## Using the rotisserie

### ⚠ WARNING! RISK OF INJURY!

- ▶ Always use the tongs **12** to insert the hot rotisserie **16** into the appliance or to remove it.
- You can use the two skewer clamps **15** to fix the food onto the rotisserie **16**. Loosen the restrainer **14** on the skewer clamps **15**, push them so that the food is fixed firmly in between the clamps and then screw the restrainer **14** tight again.
- First push the end of the rotisserie **16** without the notch into the drive **1** (Figure 1):

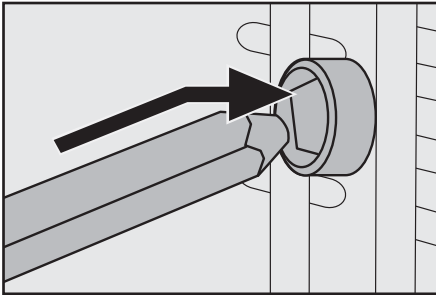


Fig. 1: Push the rotisserie **16** into the drive **1**.

- Then insert the other end of the rotisserie **16** with the deep groove in the spit fitting **9** (Figure 2):

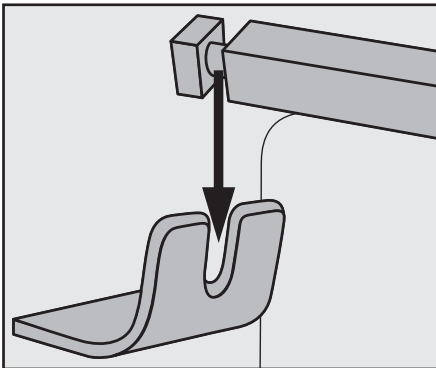


Fig. 2: Insert the rotisserie **16** in the spit fitting **9**.

### NOTE

- ▶ Always slide the baking tray **11** into the lower rail when you use the rotisserie **16**. This will collect any drips.
- To remove the hot rotisserie **16**, grip with the hooks at the end of the tongs **12** into the recesses on the rotisserie **16** (Figure 3):

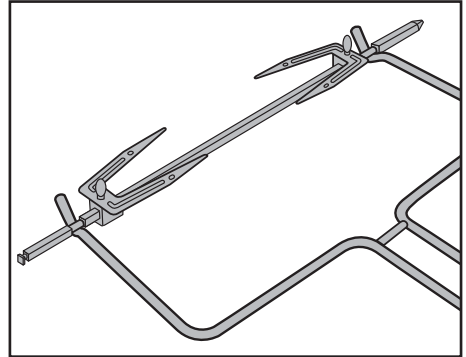


Fig. 3: Hooking the tongs **12** onto the rotisserie **16**

- First lift the left-hand side of the rotisserie **16** out of the spit fitting **9** and then pull the rotisserie **16** from the drive **1**.

## Using the baking tray/rack

### ⚠ WARNING! RISK OF INJURY!

- ▶ Always use the tongs 10 to insert the hot baking tray 11/the hot rack 13 into the appliance or to remove it.
- Push the baking tray 11/the rack 13 into one of the 3 rails in the cooking chamber of the appliance.

### ATTENTION! DAMAGE TO PROPERTY!

- ▶ Never place the baking tray 11/the rack 13 directly onto the heating elements 8.
- To remove the hot baking tray 11 or the rack 13, hook the tongs 10 onto them as follows:

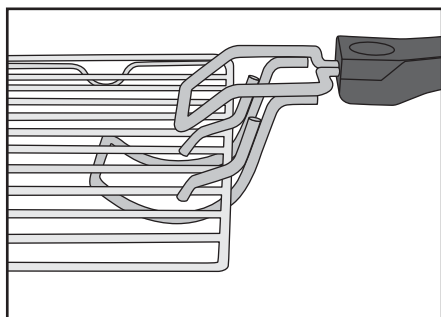


Fig. 4: Hooking the tongs 10 onto the rack 13

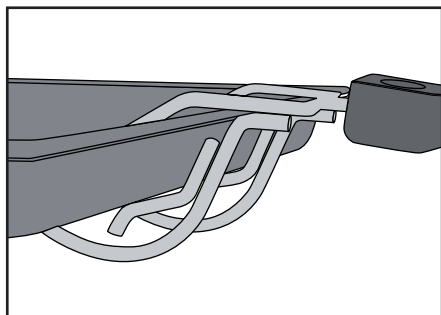



Fig. 5: Hooking the tongs 10 onto the baking tray 11

## Before first use

- 1) Insert the plug into a mains power socket.
- 2) Turn the temperature control 2 clockwise to the maximum temperature (to the stop).
- 3) Turn the function switch 3 to "upper and lower heat" .
- 4) Open the glass door 6 leave this open for this operation.
- 5) Remove any installed accessories from the cooking chamber.
- 6) Turn the timer 4 to 20 minutes.

### NOTE

- ▶ The first time the appliance heats up, a small amount of smoke and odour may be generated due to production-related residue. This is normal and is completely harmless. Provide sufficient ventilation by opening a window, for example.

The appliance switches off automatically after 20 minutes.

If you want to interrupt the heating process prematurely, turn the temperature control 2 counter-clockwise to the stop and set the timer 4 to "OFF".






- 7) Allow the appliance to cool down, then clean the appliance as described in the chapter "Cleaning and care".

The appliance is now ready for use.

## Operating the appliance






### Function switch

You can switch on the appliance with the function switch **3**, and also set 5 different functions:

Symbol	Meaning
	"Lower heat" e.g. for baking
	"Upper heat" e.g. to gratinate
	"Upper & lower heat" e.g. for baking a pizza
	"Upper heat/hot air/ roisserie" e.g. to roast poultry
	"Upper & lower heat/hot air" e.g. to reheat rolls
<b>OFF</b>	"OFF" the appliance is switched off.


### Temperature control °C

Use the temperature control **2** to set the desired temperature.

- If you set the temperature for the functions "Upper heat" , "Lower heat"  or "Upper & lower heat"  use the scale marked with "1".
- If you set the temperature for the functions "Upper heat/hot air/roisserie"  or "Upper & lower heat/hot air"  use the scale marked with „∞“.

### Timer

Use the timer **4** to set the cooking time.

- Set the timer **4** to the desired cooking time. After expiry of the set time a signal tone sounds and the appliance stops heating. If the function "Upper heat/hot air/roisserie"  is selected, the roisserie **16** will also stop turning.

## Grilling and baking

- 1) Put the crumb tray **7** into the appliance.
- 2) Remove the rack **13** and baking tray **11** from the appliance. If required, cover these with baking paper or lightly grease the baking tray **11** with suitable baking fat.

### NOTE

- ▶ Depending on the meal, the oven must be preheated. Refer to the guidelines in the respective recipe. Preheating is useful for:
    - very short baking times,
    - crisp crusts,
    - sensitive meals that require a constant temperature, such as soufflés.
  - ▶ If no preheating is required, skip step 3).
- 3) Allow the appliance to heat up for approx. 10 minutes (depending on the temperature setting) to the required temperature:
    - Select the required temperature using the temperature control **2**. Ensure that you use the correct scale (see chapter "Temperature control").
    - Select the required function with the function switch **3**.

## NOTE

- ▶ As a general rule, if you are baking or grilling with hot air you can dispense with a preheating of the grilling/cooking space.
  - Use the timer **4** to set the preheat time (approx. 10 minutes).
  - Close the glass door **6**.
- 4) Once the warm-up period is finished, place the foodstuffs on the rack **15** or the baking tray **11** and slide it in on one of the rails. Ensure that there is sufficient space between the foodstuffs and the inner walls/heating elements of the appliance.

## NOTE

- ▶ If you wish to prepare food on the rack **15** that drips excessively, then slide the baking tray **11** onto the bottom rail. By doing this, dripping fat for example will be caught and the appliance is then easier to clean.
- 5) Close the glass door **6** before starting the grilling or baking process.
- 6) Use the timer **4** to set the required grilling or baking time. The maximum grilling or baking time is 120 minutes.

## NOTE

- ▶ If the cooking time for the food is less than 20 minutes, first set the timer **4** to 40 minutes and then turn it back to the required grilling or baking time.

The control lamp **5** indicates that the appliance is now switched on. The switch of the timer **4** now rotates itself anti-clockwise to "OFF".

The appliance switches off automatically after the set period, there is a beep and the control lamp **5** switches off.

## NOTE


- If you want to interrupt the heating process prematurely, turn the temperature control **2** counter-clockwise to the stop and set the timer **4** to "OFF".
- 7) After cooking, remove the rack **15** or the baking tray **11** using the tongs **10**.
  - 8) Set the function switch **3** to "OFF".

## Grilling with the rotisserie

- 1) Put the crumb tray **7** into the appliance.
- 2) If inserted, remove the rotisserie **16** from the appliance.
- 3) Push the baking tray **11** onto the lower rail.
- 4) Fix the food to be grilled with the skewer clamps **15**. Ensure that the food in the cooking chamber can turn freely without touching the sides. The rotisserie **16** may change its direction of rotation if the food strikes against a resistance. The two depressions on the rotisserie **16** must remain freely accessible, otherwise you will not be able to grasp the rotisserie **16** with the tongs **12**.
- 5) Fit the rotisserie **16** in the cooking chamber (see chapter "Using the rotisserie")
- 6) Close the glass door **6**.

## NOTE

If you want to interrupt the heating process prematurely, turn the temperature control **2** counter-clockwise to the stop and set the timer **4** to "OFF".

- 7) Adjust the temperature control **2** to the desired temperature.
- 8) Set the function switch **3** to "Upper heat/hot air/roisserie" . Set the timer **4** to the desired grill time.  
The appliance starts the grilling process and the rotisserie **16** starts turning.

The control lamp **5** indicates that the appliance is now switched on. The switch of the timer **4** now rotates itself anti-clockwise to "OFF".

The appliance switches off automatically after the set period, there is a beep and the control lamp **5** switches off.

## NOTE



If you want to interrupt the heating process prematurely, turn the temperature control **2** counter-clockwise to the stop and set the timer **4** to "OFF".

- 9) After the grilling process is completed remove the rotisserie **16** with the help of the tongs **12**.
- 10) Set the function switch **3** to "OFF".

## EXAMPLE: GRILLED CHICKEN

### Ingredients


- ◆ Grilling chicken (approx. 1.3 kg, guts removed)
- ◆ Spices (salt, paprika)
- ◆ Cooking oil

- 1) Season the chicken on the inside and outside with salt and paprika powder. Brush it from the outside with heat resistant cooking oil.
- 2) Push the chicken onto the spit and fix it in place with the skewer clamps **15**. Ensure that the notches on the rotisserie **16** remain free so that you can remove the rotisserie **16** with the help of the tongs **12**. Depending on the shape of the chicken, it may be necessary to fasten the wings and legs with a fireproof string to stop them impacting the sides when turning.
- 3) Push the baking tray **11** onto the lower rail.
- 4) Preheat the appliance for about 10 minutes using the function "Upper & lower heat/hot air"  to 210°C.
- 5) Put the chicken on the rotisserie into the appliance using the tongs **12**.
- 6) Set the function switch to "Upper heat/hot air/roisserie"  and close the door.
- 7) Set the timer **4** approx. 80 minutes. The cooking time can vary depending on the size and nature of the chicken.
- 8) Brush the chicken every now and again with some cooking oil. This will make it crispy.
- 9) Once the set time is up, carefully remove the rotisserie with the chicken using the tongs **12**. Loosen the skewer clamps **15** and pull the chicken off the rotisserie **16**.

## Cleaning and care

### ⚠ DANGER – ELECTRIC SHOCK!

- ▶ Before cleaning the appliance, disconnect the plug from the mains power socket!  
Risk of electric shock!

 NEVER immerse the appliance in water or any other liquid!

### ⚠ WARNING! RISK OF INJURY!

- ▶ Always allow the appliance to cool down before cleaning it. Otherwise there is a risk of burns!

- It is best to clean the appliance and accessories as soon as they have cooled down. This makes food residues easier to remove.

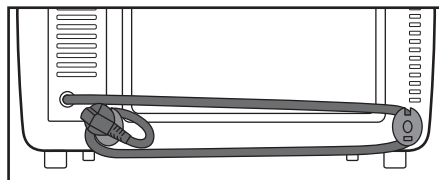
### ATTENTION! DAMAGE TO PROPERTY!

- ▶ Do not use abrasive or aggressive cleaning materials. These could damage the surface of the appliance!
- ▶ Do not clean the components of the appliance in a dishwasher!
- ▶ Do not clean the cooking chamber with an oven spray as this may make residues on the heating elements impossible to remove.

- Wipe the appliance with a damp cloth. If necessary, put a little mild detergent on the cloth and wipe this off afterwards with a cloth dampened with clean water. Dry everything properly.
- Clean the cooking chamber and the glass door **6** with a moist cloth. If necessary, put a little mild detergent on the cloth and wipe this off afterwards with a cloth dampened with clean water. Dry everything properly.
- Clean the tongs **10/12**, the rotisserie **16**, the skewer clamps **15**, the restrainer **14**, the baking tray **11**, the rack **13** and the crumb tray **7** in warm soapy water. Dry all parts properly after cleaning.

## Storage

- You can wind the mains cable around the spacers on the rear side of the appliance and attach the plug to one of the spacers:



- Store the cleaned appliance and its accessories in a clean, dust-free and dry location.

## Troubleshooting

Fault	Cause	Solution
The appliance is not working.	The mains plug is not connected to the mains power.	Insert the plug into a mains power socket.
	The mains power socket is defective.	Use a different mains power socket.
	The appliance is defective.	Contact Customer Services.
The control lamp <b>5</b> comes on and but the appliance does not heat up.	The function switch <b>3</b> is set to OFF.	Turn the function switch <b>3</b> to the desired function.
The cooking time of the food seems very long	The glass door <b>6</b> has been opened often to check the cooking progress.	Do not open the glass door <b>6</b> any more often than is absolutely necessary.
	The wrong temperature level has been set.	Check the temperature settings.
Smoke and smells develop during use.	There is detergent or food residue on the heating elements.	Remove the food from the appliance and continue cooking process with the glass door <b>6</b> open until the smoke stops.

If the malfunction cannot be corrected with the above suggestions, or if you have found some other kind of malfunction, please contact our Customer Service.



## Disposal



**Under no circumstance should the appliance be disposed of as standard domestic waste. This product is subject to the provisions of European Directive 2012/19/EU.**

Dispose of the appliance via an approved waste disposal company or your municipal waste disposal facility. Please observe applicable regulations. Please contact your waste disposal facility if you are in any doubt.



The packaging is made of environmentally friendly materials which you can dispose of at your local recycling centre.

## Kompernass Handels GmbH warranty

Dear Customer,

This appliance has a 3-year warranty valid from the date of purchase. If this product has any faults, you, the buyer, have certain statutory rights. Your statutory rights are not restricted in any way by the warranty described below.

### Warranty conditions

The validity period of the warranty starts from the date of purchase. Please keep your original receipt in a safe place. This document will be required as proof of purchase.

If any material or production fault occurs within three years of the date of purchase of the product, we will either repair or replace the product for you at our discretion. This warranty service is dependent on you presenting the defective appliance and the proof of purchase (receipt) and a short written description of the fault and its time of occurrence.

If the defect is covered by the warranty, your product will either be repaired or replaced by us. The repair or replacement of a product does not signify the beginning of a new warranty period.

## Warranty period and statutory claims for defects

The warranty period is not prolonged by repairs effected under the warranty. This also applies to replaced and repaired components. Any damage and defects present at the time of purchase must be reported immediately after unpacking. Repairs carried out after expiry of the warranty period shall be subject to a fee.

### Scope of the warranty

This appliance has been manufactured in accordance with strict quality guidelines and inspected meticulously prior to delivery.

The warranty covers material faults or production faults. The warranty does not extend to product parts subject to normal wear and tear or fragile parts such as switches, batteries, baking moulds or parts made of glass.

The warranty does not apply if the product has been damaged, improperly used or improperly maintained. The directions in the operating instructions for the product regarding proper use of the product are to be strictly followed. Uses and actions that are discouraged in the operating instructions or which are warned against must be avoided.

This product is intended solely for private use and not for commercial purposes. The warranty shall be deemed void in cases of misuse or improper handling, use of force and modifications/repairs which have not been carried out by one of our authorised Service centres.

## Warranty claim procedure

To ensure quick processing of your case, please observe the following instructions:

- Please have the till receipt and the item number (e.g. IAN 12345) available as proof of purchase.
- You will find the item number on the type plate, an engraving on the front page of the instructions (bottom left), or as a sticker on the rear or bottom of the appliance.
- If functional or other defects occur, please contact the service department listed either by **telephone** or by **e-mail**.
- You can return a defective product to us free of charge to the service address that will be provided to you. Ensure that you enclose the proof of purchase (till receipt) and information about what the defect is and when it occurred.



You can download these instructions along with many other manuals, product videos and software on [www.lidl-service.com](http://www.lidl-service.com).

## Service

### GB Service Great Britain

Tel.: 0871 5000 720 (£ 0.10/Min.)

E-Mail: [kompennass@lidl.co.uk](mailto:kompennass@lidl.co.uk)

### IE Service Ireland

Tel.: 1890 930 034

(0,08 EUR/Min., (peak))

(0,06 EUR/Min., (off peak))

E-Mail: [kompennass@lidl.ie](mailto:kompennass@lidl.ie)

IAN 274498

## Importer

Please note that the following address is not the service address. Please use the service address provided in the operating instructions.

KOMPERNASS HANDELS GMBH

BURGSTRASSE 21

44867 BOCHUM

GERMANY

[www.kompennass.com](http://www.kompennass.com)

## Recipes

In this section, we provide you with various sample recipes for preparing dishes. These examples are recommendations. Cooking times may vary.

These recipes are provided without guarantee. All information on ingredients and preparation is indicative only. Modify the suggested recipes to taste. We hope you enjoy the recipes and wish you "bon appetit"!

### NOTE

Take note of the preparation guidelines provided on the food packaging.

### Muffins

Ingredients for four people:

- ◆ 1 cup of flour
- ◆ 1 teaspoon of baking powder
- ◆ 1 egg
- ◆ 1 tablespoon of melted butter
- ◆ 1 cup of milk
- ◆ 3 tablespoons of sugar
- ◆ 1 pinch salt
- ◆ for variations: also nuts, chopped bananas or chocolate flakes

Preparation:

- 1) Gradually mix the flour, baking powder, egg, milk, salt and sugar together in a bowl, one by one.
- 2) Melt the butter in a saucepan and mix it into the dough.
- 3) Subject to taste, blend in the nuts, chocolate flakes or mashed bananas.
- 4) Place the prepared dough into standard muffin moulds and place them on the baking tray **11**.
- 5) Bake the muffins at 220°C on the bottom rail using top & bottom heat for about 15 minutes.

### Hawaiian toast

Ingredients for 4 pieces of toast:

- ◆ 4 slices of toasting bread
- ◆ 1–2 tablespoons of remoulade
- ◆ 120 g cooked ham
- ◆ 1/2 tin of pineapples
- ◆ 4 slices of cheese for gratinating
- ◆ Curry

Preparation:

- ◆ Toast the bread slices.
- ◆ Spread the remoulade thinly over the pieces of toast and lay the slices of cooked ham on top.
- ◆ Lay one slice of pineapple on each piece of toast. Season with curry.
- ◆ Then place a slice of cheese over each of the pineapple slices.
- ◆ Lay the Hawaiian toasts on the rack **13** and bake at 200°C for about 8 minutes on the upper rail using top heat.

### Baking deep-frozen pizza

Preparation:

- ◆ Place the rack **13** on the upper rail in the cooking chamber.
- ◆ Place the deep-frozen pizza (without packaging) onto the rack **13**.
- ◆ Bake the pizza, using upper and lower heat, for about 20 minutes.
- ◆ Please follow the instructions on the packaging regarding temperature.

### Spritzgebäck cookies

Ingredients:

- ◆ 125 g butter
- ◆ 125 g sugar
- ◆ 1 packet of vanilla sugar
- ◆ 1 pinch salt
- ◆ 1 egg
- ◆ 1 egg white
- ◆ 250 g flour (type 405)
- ◆ 1 teaspoon of baking powder
- ◆ Zest of half a lemon

Preparation:

- 1) Beat the butter until foamy.
- 2) Add the sugar, vanilla sugar, lemon zest and eggs.
- 3) Mix the flour, baking powder and salt and stir into the mixture using a mixing spoon.
- 4) Allow the dough to stand for about 10 minutes.
- 5) Shape the dough as desired, e.g. with the assistance of a mincer, cookie cutters or a piping bag.
- 6) Line the baking tray **11** with baking paper and place the cookies on this.
- 7) Bake the cookies on the top rail of a preheated oven at 180°C, using top and bottom heat, for about 10–15 minutes, until they are golden brown.

#### NOTE

This quantity of dough is sufficient for several baking trays **11**.

### Bread rolls

Ingredients:

- ◆ 300 g flour (or wholemeal flour)
- ◆ 2 heaped teaspoons of baking powder
- ◆ 200 g linseeds
- ◆ 1 egg
- ◆ 500 g quark or curd cheese
- ◆ 1 teaspoon of salt
- ◆ Subject to taste: caraway seeds, onions, bacon ...

Preparation:

- 1) Knead all ingredients together well and then shape into small rolls.
- 2) Line the baking tray **11** with baking paper and place the rolls on this.
- 3) Bake on the top rail at about 200°C for around 30 minutes.

#### NOTE

This quantity of dough is sufficient for several baking trays **11**.

## Meringues

Ingredients:

- ◆ 1 egg white
- ◆ Salt
- ◆ 45 g sugar

Preparation:

- 1) Place the chilled egg white into a fat-free mixing bowl. Ensure that no egg yolk is mixed in with it or the meringue will not solidify.
- 2) Beat the egg white at a slow speed, so that the bubbles formed in the meringue are not too large.
- 3) Add a pinch of salt to taste.
- 4) Gradually add in half of the sugar when the meringue starts to solidify.
- 5) Then beat it at the highest speed until stiff.
- 6) Add the remaining sugar. This allows the meringue to attain the required solidity.
- 7) Fill a piping bag fitted with a large star nozzle with the meringue mixture and squeeze out rosettes, slithers or other shapes onto a baking tray **11** lined with baking paper. Leave a little space between each shape.
- 8) Preheat the oven with grill to approx. 100° C with hot air.
- 9) Bake the meringues with hot air at approx. 100° C for about 2 hours.

## Buttered croutons

Ingredients:

- ◆ 2 slices of toasting bread
- ◆ 1 tbsp. butter

Preparation:

- 1) Cut the bread into small cubes.
- 2) Melt the butter at low heat in a saucepan and mix in the cubed bread.
- 3) Line a baking tray **11** with baking paper and distribute the bread cubes evenly on it.
- 4) Bake the bread cubes at 170° C (top heat) on the upper rail until golden brown (approx. 15-20 minutes).

### NOTE

You can also use herb or garlic butter instead of regular butter. Baking time is then reduced by about 5 minutes.

### Minced meat baguettes

Ingredients:

- ◆ 2 baguette rolls
- ◆ 250 g minced meat (half and half)
- ◆ 2 tomatoes
- ◆ 1 onion (diced)
- ◆ 2 tbsp. tomato purée
- ◆ 40 g grated Parmesan cheese
- ◆ 4 slices of cheese
- ◆ Salt and pepper

Preparation:

- 1) Slice the baguettes and hollow them out.
- 2) Mix together the minced meat, tomato paste, onion, Parmesan, some salt and a little pepper.
- 3) Shape the minced meat into four equal-sized, flat burgers and place them on the baguette halves.
- 4) Cut the tomatoes into slices and arrange them on the baguettes.
- 5) Arrange the cheese slices on the baguettes.
- 6) Place the baguettes on a baking tray **11** and then bake them on the bottom rail at about 230 °C in a preheated oven using top and bottom heat for about 20 minutes.

#### NOTE

You can also season the minced meat mixture with basil, chilli or other spices.

### Cauliflower (gratinated)

Ingredients:

- ◆ 1/2 head cauliflower (about 250 g)
- ◆ 3 lemon slices
- ◆ 1 tbsp. butter
- ◆ 1 heaped tsp. flour
- ◆ 1 tbsp. lemon juice
- ◆ 1 tbsp. slivered almonds
- ◆ 2 tbsp. gratin cheese (grated)
- ◆ Salt, pepper, nutmeg

Preparation:

- 1) Divide the cauliflower into florets and wash them.
- 2) Cook the cauliflower with the lemon slices in boiling, salted water for 8–10 minutes until the cauliflower is al dente. Retain about 150 ml of the cooking water before pouring the rest away.
- 3) Melt the butter in a saucepan and then brown the flour, while stirring continuously, for about 1 minute.
- 4) Continue stirring and pour in the cauliflower water and let it cook for about 2 minutes. If the roux gets too solid, gradually add more water until a creamy consistency is achieved. Season with lemon juice, nutmeg, salt and pepper.
- 5) Place the cauliflower in a baking dish (about 14 cm in diameter) and pour the sauce evenly over it.
- 6) Sprinkle in the cheese and almond slivers over it.
- 7) Place the baking dish on the baking tray **11**.
- 8) Bake the prepared dish at 200 °C in a preheated oven, using top and bottom heat, for about 20 minutes on the bottom rail.

## Salmon-filled flaky pastries (burek)

### Ingredients:

- ◆ 1 pack of flaky pastry slices (approx. 8 pieces)
- ◆ 1 pack of smoked salmon, sliced (about 200 g)
- ◆ 1 lemon
- ◆ 1 onion
- ◆ 1 pack of cream cheese (200 g)
- ◆ Fresh dill
- ◆ Salt and pepper
- ◆ 1 egg yolk

### Preparation:

- 1) Separate the puff pastry sheets and, if necessary, allow them to thaw.
- 2) Mix the cream cheese with salt, pepper and the juice of one lemon.
- 3) Finely dice the onion.
- 4) Add half of the salmon and the onion to the cream cheese mixture and mix it all coarsely with a blender.
- 5) Cut the remaining salmon into thin strips.
- 6) Add the salmon and the dill to the mixture and blend all ingredients together.
- 7) Place individual tablespoonfuls of the mixture on a flaky pastry sheet and fold them over.
- 8) Coat the resulting pouch with egg yolk.
- 9) Place the burek pieces on a baking sheet **11**. Leave sufficient space between the individual pouches because the flaky pastry will expand.
- 10) Bake the pastries on the lower rail at around 230°C using top and bottom heat for about 25–30 minutes. The flaky pastry should turn light brown in colour.

### NOTE

The stated quantity of pastry is sufficient for several baking trays **11**.

# Indholdsfortegnelse

<b>Indledning</b> . . . . .	<b>.22</b>
<b>Anvendelsesområde</b> . . . . .	<b>.22</b>
<b>Pakkens indhold</b> . . . . .	<b>.22</b>
<b>Beskrivelse af produktet</b> . . . . .	<b>.22</b>
<b>Tekniske data</b> . . . . .	<b>.22</b>
<b>Sikkerhedsanvisninger</b> . . . . .	<b>.23</b>
<b>Opstilling</b> . . . . .	<b>.26</b>
<b>Brug af produktet</b> . . . . .	<b>.26</b>
Glaslåge . . . . .	26
Indsætning af krummebakken . . . . .	26
Brug af drejespyd . . . . .	27
Brug af bageplade/rist . . . . .	28
<b>Før produktet bruges første gang</b> . . . . .	<b>.28</b>
<b>Betjening af produktet</b> . . . . .	<b>.29</b>
Funktionskontakt . . . . .	29
Termostat . . . . .	29
Timer . . . . .	29
<b>Grillning og bagning</b> . . . . .	<b>.29</b>
<b>Grillning med drejespyd</b> . . . . .	<b>.30</b>
<b>Rengøring og vedligeholdelse</b> . . . . .	<b>.32</b>
<b>Opbevaring</b> . . . . .	<b>.32</b>
<b>Afhjælpning af fejl</b> . . . . .	<b>.33</b>
<b>Bortskaffelse</b> . . . . .	<b>.34</b>
<b>Garanti for Kompernass Handels GmbH</b> . . . . .	<b>.34</b>
Service . . . . .	35
Importør . . . . .	35
<b>Opskrifter</b> . . . . .	<b>.35</b>



## Indledning

Tillykke med købet af dit nye produkt.

Du har valgt et produkt af høj kvalitet. Betjeningsvejledningen er en del af dette produkt. Den indeholder vigtige informationer om sikkerhed, anvendelse og bortskaffelse. Du bør sætte dig ind i alle produktets betjenings- og sikkerhedsanvisninger før brug. Brug kun produktet som beskrevet og kun til de angivne anvendelsesområder. Lad vejledningen følge med produktet, hvis du giver det videre til andre.

## Anvendelsesområde

Grill- og bageovnen anvendes udelukkende til opvarmning, bagning og grillning af mad.

Dette produkt er udelukkende beregnet til anvendelse i private husholdninger. Det må ikke bruges i erhvervsmæssig sammenhæng.

Al anden anvendelse betragtes som værende uden for anvendelsesområdet og kan føre til personskader.

## Pakkens indhold

- ◆ Miniovn
- ◆ 1 bageplade
- ◆ 1 rist
- ◆ 2 tænger
- ◆ Drejespyd med 2 klemmer
- ◆ 1 krummebakke
- ◆ Betjeningsvejledning

### BEMÆRK

Kontrollér umiddelbart efter udpakning, at alle dele er leveret med og ikke er beskadigede. Henvend dig i modsat fald til service.

## Beskrivelse af produktet

Figur A:

- 1 Drev
- 2 Termostat
- 3 Funktionskontakt
- 4 Timer
- 5 Kontrollampe
- 6 Glaslåge
- 7 Indsat krummebakke
- 8 Nederste varmeelementer
- 9 Holder til drejespyd

Figur B:

- 10 Tang (til bageplade og rist)
- 11 Bageplade
- 12 Tang (til drejespyd)
- 13 Rist
- 14 Fiksering
- 15 Klemmer til drejespyd
- 16 Drejespyd

## Tekniske data

Mærkespænding: 220 - 240 V ~,  
50/60 Hz


maks. effektforbrug: 1500 W



Alle dele, som kommer i kontakt med fødevarer, er levnedsmiddelægte.

## Sikkerhedsanvisninger

### **FARE – ELEKTRISK STØD!**

- ▶ Du må ikke åbne eller reparere produktets kabinet. Hvis du gør det, kan sikkerheden ikke garanteres, og garantien bortfalder. Lad forhandleren eller en autoriseret reparatør reparere produktet, hvis det er defekt.
  - ▶ Lad beskadigede stik eller ledninger udskifte omgående af en autoriseret reparatør eller kundeservice, så farlige situationer undgås.
  - ▶ Lad ikke væske komme ind i produktets kabinet. Produktet må ikke udsættes for fugt og ikke bruges udendørs. Du må heller ikke stille genstande, der er fyldt med væske, som f.eks. vaser, på produktet. Der er brandfare og fare for elektrisk stød! Hvis der alligevel kommer væske ind i produktets kabinet, skal du straks trække stikket ud af stikkontakten og få repareret produktet.
  - ▶ Rør ikke ved produktet, strømledningen eller stikket med våde hænder. I modsat fald er der fare for at få elektrisk stød.
-  Læg aldrig produktet ned i vand eller andre væsker! Det kan være livsfarligt på grund af elektrisk stød, hvis der kommer væskerester på spændingsførende dele under brug.

## **ADVARSEL – FARE FOR KVÆSTELSER!**

- ▶ Dette produkt kan bruges af børn over 8 år samt af personer med reducerede fysiske, sensoriske eller mentale evner eller manglende erfaring og viden, hvis de er under opsyn eller er blevet oplært i brugen af produktet og de farer, som kan være forbundet med det.
- ▶ Børn må ikke lege med produktet.
- ▶ Rengøring og brugervedligeholdelse må ikke udføres af børn, medmindre de er ældre end 8 år og under opsyn.
- ▶ Børn under 8 år skal holdes på afstand af produktet og tilslutningsledningen.
- ▶ Læg ledningen på en sådan måde, at man ikke kan træde på den eller snuble over den.
- ▶ Rør aldrig ved glaslågen eller kabinettet under brug, da disse dele bliver meget varme. Brug en grydelap eller lignende, når du åbner lågen, så forbrændinger undgås!
- ▶ Rør aldrig ved varmelegemerne eller ovnruden under brugen, eller før produktet er afkølet. Ræk ikke ind i ovnrummet, mens ovnen er i gang. Vent indtil ovnen er afkølet. Gør du ikke det, kan du få forbrændinger.
- ▶ Lad produktet køle godt af efter brug, og før du transporterer det.
- ▶ Brug altid grillhandsker eller grydelapper, når du håndterer det varme produkt!



Forsigtig! Varm overflade!

**OBS – MATERIELLE SKADER!**

- ▶ Brug aldrig en ekstern timer eller et separat fjernbetjenings-system til betjening af produktet.
- ▶ Lad aldrig produktet være i funktion uden opsyn.
- ▶ Sørg for at produktet, strømledningen og strømstikket ikke kommer i kontakt med varmekilder eller åben ild.
- ▶ Produktet må kun bruges med det medfølgende originale tilbehør.
- ▶ Strømledningen må ikke knækkes eller klemmes.
- ▶ Træk altid ledningen ud af stikkontakten ved at tage fat i stikket; træk aldrig i selve ledningen.
- ▶ Under brug må der ikke være letantændelige materialer lige i nærheden af ovnen (f.eks. viskestykker, grydelapper etc.).
- ▶ Tør aldrig tekstiler eller genstande på, over eller i ovnen. Det kan medføre brand.

## Opstilling

### ⚠ ADVARSEL! BRANDFARE!

- ▶ Stil aldrig ovnen under hængeskabe eller ved siden af gardiner, vægskabe eller andre antændelige genstande.
- ▶ Afstanden fra ovnen til hængeskabe, lofter, vægge eller lignende skal mindst være 10 cm over ovnen og mindst 5 cm på højre og venstre side af ovnen. Derfor må ovnen f.eks. ikke placeres i skabe eller lignende. I modsat fald er det ikke muligt at opnå tilstrækkelig udluftning omkring produktet, og ovnen kan forårsage en brand eller blive beskadiget.
- ▶ Stil kun produktet på et varmeresistent underlag. Ellers er der brandfare, og produktet kan beskadiges. Området under ovnbunden kan blive misfarvet og beskadiget. Desuden kan der komme permanente mærker i underlaget, hvis det er for blødt.

### ⚠ FARE - ELEKTRISK STØD!

- ▶ Stil ikke produktet i umiddelbar nærhed af vand, f.eks. ved køkkenvaske, opvaskebaljer eller i fugtige kælderrum. I modsat fald er der fare for elektrisk stød.
- Stil produktet på et fast, plant underlag, der kan tåle varme (f.eks. et arbejdsbord af rustfrit stål eller natursten som f.eks. granit). Sørg for tilstrækkelig udluftning rundt om produktet.
- Stil produktet med bagsiden op mod væggen. Afstandsholderen på bagsiden skal røre ved væggen. Sørg for at væggen består af varmebestandigt materiale, f.eks. keramiske fliser, natursten eller granit.
- Rengør alle dele som beskrevet i kapitlet "Rengøring og vedligeholdelse".

## Brug af produktet

### Glaslåge

#### OBS! MATERIELLE SKADER!

- ▶ Brug ikke glaslågen **6** som støtte. Stil ikke genstande på glaslågen **6**.
- ▶ Det medfører, at hængslerne beskadiges.
- Hvis du tilbereder særligt fedtholdige madvarer, kan der udvikles røg. Luk ikke glaslågen **6** helt i dette tilfælde, men lad den stå lidt på klem: Glaslågen **6** har en låsestilling, så lågen bliver stående lidt på klem: Hvis du forsigtigt lukker glaslågen **6**, låser den i denne position, lige inden den lukker.
- Ved tørring af frugt skal glaslågen **6** blive stående på klem, så fugten kan slippe ud, og frugten derved bedre kan tørre.

### Indsætning af krummebakken

- Sæt krummebakken **7** ind under de nederste varmelegemer **8**, så den dækker ovns bund. Du kan holde på siderne, der er bøjet op.

## Brug af drejespyd

### ⚠ ADVARSEL! FARE FOR KVÆSTELSER!

► Brug altid tangen **12**, når det varme drejespyd **16** skal sættes ind i produktet eller tages ud.

- Med drejespyddets **15** to klemmer kan du fastgøre grillmaden på drejespyddet **16**. Løsn fikseringerne **14** på drejespyddets klemmer **15**, og flyt disse, så grillmaden klemmes fast imellem dem, og skru derefter fikseringerne **14** fast igen.
- Sæt først enden af drejespyddet **16** uden not ind i drevet **1** (fig. 1):

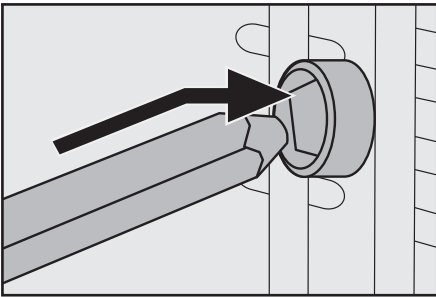


Fig. 1: Drejespyddet **16** sættes ind i drevet **1**.

- Sæt derefter den anden ende af drejespyddet **16** med den dybe not ind i drejespydholderen **9** (fig. 2):

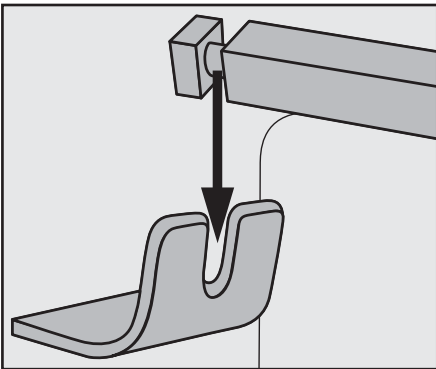


Fig. 2: Drejespyddet **16** sættes ind i drejespydholderen **9**.

### BEMÆRK

- Sæt altid bagepladen **11** ind på den nederste rille, når drejespyddet **16** anvendes. Dermed opsamles neddryppende væske.
- For at tage det varme drejespyd **16** ud skal du gribe med krogene for enden af tangen **12** ned i fordybningerne på drejespyddet **16** (fig. 3):

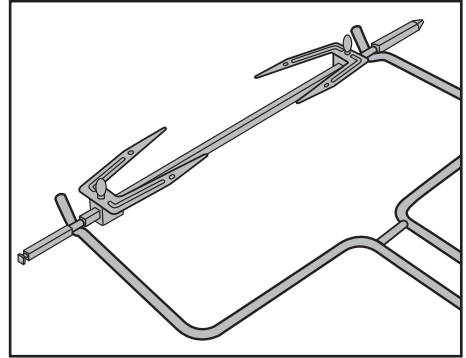


Fig. 3 Tangen **12** sættes på drejespyddet **16**.

- Tag først den venstre side af drejespyddet **16** ud af drejespydholderen **9**, og tag derefter drejespyddet **16** ud af drevet **1**.

## Brug af bageplade/rist

### ⚠ ADVARSEL! FARE FOR KVÆSTELSER!

- ▶ Brug altid tangen ⑩ til at sætte den varme bageplade ⑪/den varme rist ⑬ ind i produktet eller for at tage dem ud.
- Sæt bagepladen ⑪/risten ⑬ ind på en af de 3 riller i ovnrummet.

### OBS! MATERIELLE SKADER!

- ▶ Læg aldrig bagepladen ⑪/risten ⑬ direkte på varmelegemerne ⑧.
- For at kunne tage den varme bageplade ⑪ eller risten ⑬ ud skal du sætte tangen ⑩ fast på følgende måde:

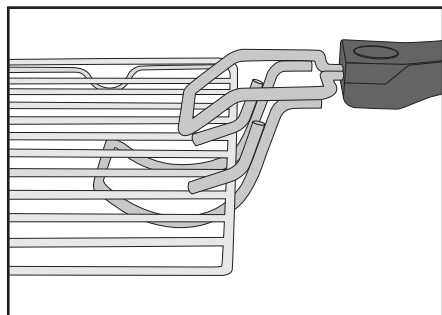


Fig. 4: Tangen ⑩ sættes fast på risten ⑬

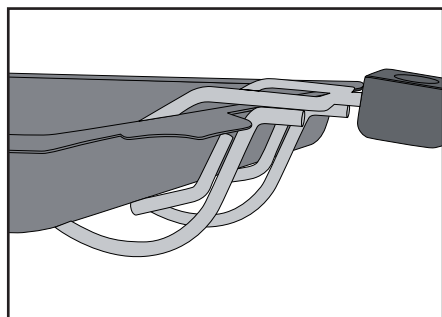



Fig. 5: Tangen ⑩ sættes fast på bagepladen ⑪

## Før produktet bruges første gang

- 1) Sæt strømstikket i en stikkontakt.
- 2) Drej termostaten ② til den højeste temperatur i urets retning indtil stop.
- 3) Drej funktionskontakten ③ til "over- og under-varme" .
- 4) Åbn glaslågen ⑥, og lad den stå åben.
- 5) Fjern eventuelt tilbehør fra ovnrummet.
- 6) Stil timeren ④ på 20 minutter.

### BEMÆRK

- ▶ Når produktet opvarmes første gang, kan der udvikles en smule røg og lugt på grund af produktionsbetingede rester. Det er normalt og helt ufarligt. Sørg for tilstrækkelig udluftning, og åbn for eksempel et vindue.

Produktet slukkes automatisk efter 20 minutter. Hvis du vil afbryde opvarmningen før tid, skal du dreje termostaten ② mod urets retning til stop og stille timeren ④ på "OFF".






- 7) Lad produktet køle af, og rengør det derefter som beskrevet i kapitlet "Rengøring og vedligeholdelse".

Nu er produktet klar til brug.

## Betjening af produktet






### Funktionskontakt

Med funktionskontakten **3** kan der tændes for produktet samt vælges 5 forskellige funktioner:

Symbol	Betydning
	"Undervarme" f.eks. til kagebagning
	"Overvarme" f.eks. til gratinering
	"Over- og undervarme" f.eks. til pizzabagning
	"Overvarme/varmluft/ drejespyd" f.eks. til grillning af fjerkræ
	"Over- og undervarme/ varmluft" f.eks. til opvarmning af boller/rundstykker
OFF	"OFF" Produktet er slukket


### Termostat

Med termostaten **2** kan du indstille den ønskede temperatur.

- Hvis du indstiller temperaturen for funktionerne "overvarme" , "undervarme"  eller "over- & undervarme" , skal du gå frem efter skalaen, som er markeret med "1".
- Hvis du indstiller temperaturen for funktionerne "overvarme/varmluft/drejespyd"  eller "over- & undervarme/varmluft" , skal du gå frem efter skalaen, som er markeret med "2".

### Timer

Med timeren **4** kan du indstille tilberedningstiden:

- Indstil timeren **4** til den ønskede tilberedningstid. Når den indstillede tid er gået, lyder der en signaltone, og ovnen slår varmen fra. Hvis funktionen "overvarme/varmluft/drejespyd"  er valgt, holder drejespyddet **15** også op med at dreje.

## Grillning og bagning

- 1) Sæt krummebakken **7** ind i ovnen.
- 2) Tag risten **13** og bagepladen **11** ud af ovnen. Læg eventuelt bagepapir på disse, eller smør bagepladen **11** med fedtstof, som er egnet til bagning.

### BEMÆRK

- ▶ Ovnen skal forvarmes afhængigt af maden, der skal tilberedes. Følg anvisningerne i den tilhørende opskrift. Forvarmning er under alle omstændigheder en god idé i forbindelse med:
    - Meget korte bagetider
    - Sprøde skorper
    - Vanskelige retter, der kræver en konstant temperatur, som f.eks. souffléer.
  - ▶ Hvis der ikke kræves forvarmning, kan du springe trin 3) over.
- 3) Lad ovnen varme op til den ønskede temperatur i ca. 10 minutter (alt efter temperaturindstilling):
    - Vælg den ønskede temperatur med termostaten **2**. Sørg for, at den rigtige skala anvendes (se kapitlet "Termostat".)
    - Vælg derefter den ønskede funktion med funktionskontakten **3**.



## BEMÆRK

- ▶ Hvis du vælger funktionen med varmluft, er det som regel ikke nødvendigt at forvarme grill- og ovnrummet.
  - Indstil forvarmningstiden (ca. 10 minutter) med timeren **4**.
  - Luk glaslågen **6**.
- 4) Når tiden er gået, lægges madvarerne, som skal tilberedes, på risten **13** eller bagepladen **11**, som derefter sættes ind på en af rillerne. Sørg for at fødevarerne har tilstrækkelig afstand til ovnens indvendige sider og varmelegemer.

## BEMÆRK

- ▶ Hvis du tilbereder grillmad, som drypper meget på risten **13**, skal bagepladen **11** sættes ind på den nederste rille. Derved samles fedtet, der drypper ned, og produktet er lettere at rengøre.
- 5) Luk glaslågen **6**, før du begynder af grille eller bage.
- 6) Indstil den ønskede grill- eller bagetid med timeren **4**. Den maksimale grill- eller bagetid er på 120 minutter.

## BEMÆRK

- ▶ Hvis grillmaden eller bagværket kan tilberedes på mindre end 20 minutter, skal timeren **4** først stilles på 40 minutter og derefter tilbage til den ønskede grill- eller bagetid.

Kontrollampen **5** viser, at der er tændt for ovnen. Timeren **4** bevæger sig nu mod uret i retning mod "OFF".

Ovnen slukker automatisk, når den indstillede tid er gået, der lyder en signaltone, og kontrollampen **5** slukkes.

## BEMÆRK

Hvis du vil afbryde opvarmningen før tid, skal du dreje termostaten **2** mod urets retning til stop og stille timeren **4** på "OFF".

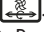
- 7) Tag risten **13** eller bagepladen **11** ud ved hjælp af tangen **10**, når tilberedningen er slut.
- 8) Stil funktionskontakten **3** på "OFF".

## Grillning med drejespyd

- 1) Sæt krummebakken **7** ind i ovnen.
- 2) Tag drejespyddet **16** ud af ovnen, hvis det er sat i.
- 3) Sæt bagepladen **11** ind på den nederste rille.
- 4) Fastgør grillmaden med drejespyddets klemmer **15**. Sørg for at grillmaden kan dreje frit i ovnrummet uden at støde imod siderne. Drejespyddet **16** kan skifte omdrejningsretning, hvis grillmaden støder på modstand. Der skal være fri adgang til de to fordybninger på drejespyddet **16**, da drejespyddet **16** ellers ikke kan holdes med tangen **12**.
- 5) Fastgør drejespyddet **16** i ovnrummet (se kapitlet "Brug af drejespyd").
- 6) Luk glaslågen **6**.

## BEMÆRK

Hvis du vil afbryde opvarmningen før tid, skal du dreje termostaten **2** mod urets retning til stop og stille timeren **4** på "OFF".

- 7) Indstil termostaten **2** på den ønskede temperatur.
- 8) Stil funktionskontakten **3** på "overvarme/varmluft/drejespyd" . Indstil den ønskede grilltid med timeren **4**. Produktet starter grillningen, og drejespyddet **16** drejer rundt.

Kontrollampen **5** viser, at der er tændt for ovnen. Timeren **4** bevæger sig nu mod uret i retning mod "OFF".

Produktet slukkes automatisk efter den indstillede tid, en signaltone lyder, og kontrollampen **5** slukkes.

## BEMÆRK



Hvis du vil afbryde opvarmningen før tid, skal du dreje termostaten **2** mod urets retning til stop og stille timeren **4** på "OFF".

- 9) Tag drejespyddet **16** ud ved hjælp af tangen **12**, når grillningen er færdig.
- 10) Stil funktionskontakten **3** på "OFF".

## EKSEMPEL GRILLKYLLING

### Ingredienser


- ◆ Grillkylling (ca. 1,3 kg, rensset)
- ◆ Krydderier (salt, stødt paprika)
- ◆ Spiseolie

- 1) Krydr grillkyllingen indeni og udenpå med salt og stødt paprika. Pensl den udenpå med varmebestandig spiseolie.
- 2) Sæt grillkyllingen på drejespyddet **16**, og fastgør den med drejespyddets klemmer **15**. Sørg for at der er adgang til fordybningerne på drejespyddet **16**, så drejespyddet **16** kan holdes med tangen **12**. Afhængigt af grillkyllingens form kan det være nødvendigt at fastgøre vingerne og lårene med en ildfast snor, så de ikke støder imod, når kyllingen drejer rundt.
- 3) Sæt bagepladen **11** ind på den nederste rille.
- 4) Varm produktet op i 10 minutter med funktionen "over- & undervarme/varmluft"  til 210°C.
- 5) Sæt grillkyllingen ind i ovnen på drejespyddet ved hjælp af tangen **12**.
- 6) Stil funktionskontakten på "overvarme/varmluft/drejespyd"  og luk lågen.
- 7) Stil timeren **4** på ca. 80 minutter. Tilberedningstiden kan variere afhængigt af grillkyllingens størrelse og kvalitet.
- 8) Pensl grillkyllingen med lidt spiseolie med jævne mellemrum. Så bliver den sprød.
- 9) Når den indstillede tid er gået, kan du forsigtigt tage grillkyllingen af med tangen **12**. Løsn drejespyddets klemmer **15**, og tag grillkyllingen af drejespyddet **16**.

## Rengøring og vedligeholdelse

### ⚠ FARE - ELEKTRISK STØD!

- ▶ Tag altid stikket ud af stikkontakten før rengøring! Der er fare for elektrisk stød!

 Læg aldrig produktet ned i vand eller andre væsker!

### ⚠ ADVARSEL! FARE FOR KVÆSTELSER!

- ▶ Lad først produktet køle af, før du rengør det. Ellers er der fare for forbrændinger!

- Det er bedst at rengøre ovnen og tilbehøret lige efter afkøling, da det gør det nemmere at fjerne fødevareresterne.

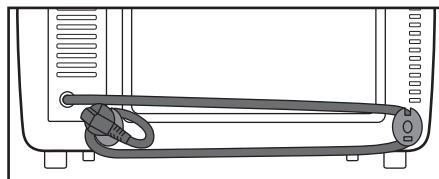
### OBS! MATERIELLE SKADER!

- ▶ Brug ikke skurepulver eller stærke rengøringsmidler. De kan beskadige overfladen!
- ▶ Rengør ikke produktets dele i opvaskemaskinen!
- ▶ Rengør ikke ovnrummet med ovnspray, da rester på varmelegemerne ikke kan fjernes.

- Tør produktet af med en fugtig klud. Ved behov kan der kommes lidt opvaskemiddel på kluden og tørres efter med en klud fugtet med rent vand. Tør det hele godt af.
- Rengør ovnrummet og glaslågen **6** med en fugtig klud. Ved behov kan der kommes lidt opvaskemiddel på kluden og tørres efter med en klud fugtet med rent vand. Tør det hele godt af.
- Rengør tængerne **10/12**, drejespyddet **16**, drejespyddets klemmer **15**, fikseringerne **14**, bagepladen **11**, risten **13** og krummebakken **7** i varmt opvaskevand. Tør alle dele godt af efter rengøringen.

## Opbevaring

- Du kan vikle ledningen om afstandsholderne på bagsiden af produktet og fastgøre stikket på en af afstandsholderne:



- Opbevar den rengjorte ovn og dens tilbehør på et rent, støvfrit og tørt sted.

## Afhjælpning af fejl

Fejl	Årsag	Løsning
Produktet fungerer ikke.	Stikket er ikke sluttet til strømnettet.	Sæt strømstikket i en stikkontakt.
	Stikkontakten er defekt.	Brug en anden stikkontakt.
	Produktet er defekt.	Henvend dig til Service.
Kontrollampen ❸ lyser, men produktet varmer ikke.	Funktionskontakten ❹ står på OFF.	Drej funktionskontakten ❹ til den ønskede funktion.
Madens tilberedningstid virker meget lang.	Glaslågen ❺ er blevet åbnet mange gange for at kontrollere tilberedningen.	Åbn kun glaslågen ❺, når det er strengt nødvendigt.
	Der er indstillet en forkert temperatur.	Kontrollér temperaturindstillingen.
Der udvikles røg og lugt under anvendelsen.	Der er rester af rengøringsmidler eller fødevarer på varmelegemerne.	Tag fødevarerne ud af ovnen og tilbered med åben glaslåge ❺, indtil røgudviklingen er ophørt.

Hvis fejlene ikke kan rettes med ovenstående fejlafhjælpning, eller hvis du finder andre typer fejl, bedes du henvende dig til vores service.

## Bortskaffelse



**Bortskaf ikke produktet sammen med det almindelige husholdningsaffald. Dette produkt er underlagt det europæiske direktiv 2012/19/EU.**

Bortskaf produktet via en godkendt bortskaffelsesvirksomhed eller den kommunale genbrugsplads. Følg de aktuelle gældende regler. Henvend dig i tvivlstilfælde til den lokale genbrugsplads.



Emballagen består af miljøvenlige materialer, som kan bortskaffes på de lokale genbrugspladser.

## Garanti for Kompernass Handels GmbH

Kære kunde

På dette produkt får du 3 års garanti fra købsdatoen. I tilfælde af mangler ved produktet har du en række juridiske rettigheder i forhold til sælgeren af produktet. Dine juridiske rettigheder forringes ikke af den nedenfor anførte garanti.

### Garantibetingelser

Garantiperioden begynder på købsdatoen. Opbevar venligst din originale kvittering et sikkert sted. Dette dokument er nødvendigt for at kunne dokumentere købet.

Hvis der inden for tre år fra købsdatoen for dette produkt opstår en materiale- eller fabrikationsfejl, vil produktet – efter vores valg – blive repareret eller ombyttet gratis for dig. Denne garantiydelse forudsætter, at det defekte produkt og købsbeviset (kvittering) afleveres inden for tre-års-fristen, og der gives en kort skriftlig beskrivelse af, hvori manglen består, og hvornår den er opstået.

Hvis defekten er dækket af vores garanti, får du et repareret eller et nyt produkt retur. Reparation eller ombytning af produktet udløser ikke en ny garantiperiode.

## Garantiperiode og juridiske mangelkrav

Garantiperioden forlænges ikke, hvis der gøres brug af garantien. Det gælder også for udskiftede og reparerede dele. Skader og mangler, som eventuelt allerede fandtes ved køb, samt manglende dele, skal anmeldes straks efter udpakningen. Når garantiperioden er udløbet, er reparation af skader betalingspligtig.

### Garantiens omfang

Produktet er produceret omhyggeligt efter strenge kvalitetsretningslinjer og testet grundigt inden levering.

Garantien dækker materiale- og fabrikationsfejl. Denne garanti omfatter ikke produktdele, der er udsat for normal slitage, og derfor kan betragtes som sliddele, eller for skader på skrøbelige dele, som f.eks. kontakter, batterier, bageforme eller dele som er lavet af glas.

Denne garanti bortfalder, hvis produktet er blevet beskadiget, ikke er forskriftsmæssigt anvendt eller vedligeholdt. For at sikre forskriftsmæssig anvendelse af produktet skal alle anvisninger nævnt i betjeningsvejledningen nøje overholdes. Anvendelsesformål og handlinger, som frarådes eller der advares imod i betjeningsvejledningen, skal ubetinget undgås.

Produktet er kun beregnet til privat og ikke til kommercielt brug. Ved misbrug og uhensigtsmæssig brug, anvendelse af vold og ved indgreb, som ikke er foretaget af vores autoriserede serviceafdeling, bortfalder garantien.

## Afvikling af garantiasager

For at sikre en hurtig behandling af din anmeldelse bør du følge nedenstående anvisninger:

- Ved alle forespørgsler bedes du have kvitteringen og artikelnummeret (f.eks. IAN 12345) klar som dokumentation for købet.
- Artikelnummeret kan du finde på typeskiltet, som indgravering, på vejledningens forside (nederst til venstre) eller som et klæbemærke på bag- eller undersiden.
- Hvis der opstår funktionsfejl eller øvrige mangler, bedes du først kontakte nedennævnte serviceafdeling **telefonisk** eller **via e-mail**.
- Et produkt, der er registreret som defekt, kan du derefter indsende portofrit til den oplyste serviceadresse med vedlæggelse af købsbevis (kvittering) og en beskrivelse af, hvori manglen består, og hvornår den er opstået.



På [www.lidl-service.com](http://www.lidl-service.com) kan du downloade denne og mange andre håndbøger, produktvideoeer og software.

## Service

**DK Service Danmark**

Tel.: 32 710005

E-Mail: [kompernass@lidl.dk](mailto:kompernass@lidl.dk)

IAN 274498

## Importør

Bemærk at den efterfølgende adresse ikke er en serviceadresse. Kontakt først det nævnte servicested.

KOMPERNASS HANDELS GMBH

BURGSTRASSE 21

44867 BOCHUM

GERMANY

[www.kompernass.com](http://www.kompernass.com)

## Opskrifter

I dette kapitel giver vi dig nogle eksempler på tilberedning af madretter. Disse eksempler er anbefalinger. Tilberedningstiden kan variere.

Opskrifter gives uden garanti. Alle oplysninger om ingredienser og tilberedning er vejledende. Supplér disse opskriftsforslag med dine egne erfaringer. Vi ønsker dig god fornøjelse og velbekomme.

### BEMÆRK

Følg anvisningerne for tilberedning på fødevarernes emballage.

### Muffins

Ingredienser til fire personer:

- ◆ 1 kop mel
- ◆ 1 tsk. bagepulver
- ◆ 1 æg
- ◆ 1 spsk. smeltet smør
- ◆ 1 kop mælk
- ◆ 3 spsk. sukker
- ◆ 1 knivspids salt
- ◆ Til forskellige varianter desuden nødder, mosede bananer eller chokoladeflager

Tilberedning:

- 1) Bland langsomt mel, bagepulver, æg, mælk, salt og sukker sammen i en skål.
- 2) Smelt smørret i en gryde, og rør det sammen med dejen.
- 3) Tilsæt nødder, chokoladeflager eller mosede bananer efter smag.
- 4) Hæld den færdige dej i muffin-forme, og stil dem på bagepladen **1**.
- 5) Bag dine muffins ved 220 °C med over- og undervarme i cirka 15 minutter på nederste rille.

## Hawaii-toast

Ingredienser til 4 toasts:

- ◆ 4 skiver toastbrød
- ◆ 1-2 spsk. remoulade
- ◆ 120 g kogt skinke
- ◆ 1/2 dåse ananas
- ◆ 4 skiver ost til gratinering
- ◆ Karry

Tilberedning:

- ◆ Rist først toastskiverne.
- ◆ Smør derefter remoulade tyndt på og læg kogt skinke på.
- ◆ Læg en skive ananas på den smurte toast. Krydr med karry.
- ◆ Læg derefter en skive ost oven på ananassen.
- ◆ Læg hawaiitoastene på risten **13**, og gratiner dem i ca. 8 minutter på den øverste rille i grill- og bageovnen ved ca. 200°C overvarme.

## Bagning af dybfrosne pizza

Tilberedning:

- ◆ Sæt risten **13** ind i grill- og ovnrummets øverste rille.
- ◆ Læg den dybfrosne pizza uden emballage på risten **13**.
- ◆ Bag pizzaen med over- og undervarme i ca. 20 minutter.
- ◆ Følg anvisningerne på emballagen mht. temperatur.

## Dej til sprøjtede kager

Ingredienser:

- ◆ 125 g smør
- ◆ 125 g sukker
- ◆ 1 brev vaniljesukker
- ◆ 1 knivspids salt
- ◆ 1 æg
- ◆ 1 æggehvite
- ◆ 250 g mel (type 405)
- ◆ 1 tsk. bagepulver
- ◆ Revet skal af en halv citron

Tilberedning:

- 1) Pisk smørret til det skummer.
- 2) Tilsæt sukker, vaniljesukker, citronskal og æg.
- 3) Bland mel, bagepulver og salt, og rør det i dejen med en røreske.
- 4) Lad dejen hvile i ca. 10 minutter.
- 5) Brug en kødhakkemaskine, udstiksforme eller en sprøjtepose, så kagerne får den ønskede form.
- 6) Afsæt småkagerne på bagepladen **11** beklædt med bagepapir.
- 7) Bag småkagerne gyldenbrune i den forvarmede bageovn ved 180°C over- og undervarme i ca. 10-15 minutter på den øverste rille.

### BEMÆRK

Mængden af dej er nok til flere bageplader **11**.

## Rundstykker/boller

Ingredienser:

- ◆ 300 g mel (eller fuldkornsmel)
- ◆ Ca. 2 tsk. bagepulver
- ◆ 200 g hørfrø
- ◆ 1 æg
- ◆ 500 g kvark
- ◆ 1 tsk. salt
- ◆ Alt efter smag kommen, løg, bacon ...

Tilberedning:

- 1) Ælt alt godt igennem og lav små boller/rundstykker af dejen.
- 2) Læg bollerne/rundstykkerne på bagepladen **11** beklædt med bagepapir.
- 3) Bag dem ved ca. 200 °C overvarme i omkring 30 minutter på øverste rille.

### BEMÆRK

Mængden af dej er nok til flere bageplader **11**.

## Marengs

Ingredienser:

- ◆ 1 æggehvite
- ◆ Salt
- ◆ 45 g sukker

Tilberedning:

- 1) Kom den afkølede æggehvite i en fedtfri røreskål. Der må ikke blandes æggeblomme i, da æggehviten så ikke kan blive stiv.
- 2) Pisk æggehviten på langsomt trin, så der ikke dannes for store bobler i æggehviten.
- 3) Krydr med en knivspids salt.
- 4) Kom halvdelen af sukkeret i lidt efter lidt, når æggehviten er ved at blive stiv.
- 5) Pisk den derefter stiv på højeste trin.
- 6) Kom resten af sukkeret i. Derved får marengsmassen den nødvendige stivhed.
- 7) Fyld marengsmassen i en sprøjtepose med stor stjernetylle, og sprøjt rosetter, tunger eller andre former på bagepladen **11** beklædt med bagepapir.
- 8) Forvarm grill- og bageovnen til ca. 100° C varmluft.
- 9) Lad marengsen bage på den øverste rille ved ca. 100° C varmluft i ca. 2 timer.



## Smørcroutoner

Ingredienser:

- ◆ 2 skiver toastbrød
- ◆ 1 spsk. smør

Tilberedning:

- 1) Skær toastbrødet i små terninger.
- 2) Smelt smørret ved svag varme i en gryde, og tilsæt toastbrødet.
- 3) Læg bagepapir på bagepladen **11**, og fordel toastbrøds-terningerne ensartet på det.
- 4) Bag toastbrøds-terningerne ved ca. 170 °C overvarme på den øverste rille, til de er gylden-brune (ca. 15 - 20 minutter).

### BEMÆRK

Du kan også bruge krydder- eller hvidløgssmør i stedet for almindeligt smør. Så er bagetiden ca. 5 minutter kortere.

## Miniflûtes med hakket kød

Ingredienser:

- ◆ 2 miniflûtes
- ◆ 250 g hakket kød (kalv og flæsk)
- ◆ 2 tomater
- ◆ 1 løg (i terninger)
- ◆ 2 spsk. tomatpuré
- ◆ 40 g revet parmesan
- ◆ 4 skiver ost
- ◆ Salt og peber

Tilberedning:

- 1) Skær de to miniflûtes igennem, og udhul dem.
- 2) Bland det hakkede kød, tomatpuréen, løget, parmesanen og lidt salt og peber.
- 3) Form det hakkede kød i 4 lige store frikadeller, der er så flade som muligt, og læg dem på de halve flûtes.
- 4) Skær tomaten i skiver, og fordel den på de halve flûtes.
- 5) Fordel osten på de halve flûtes.
- 6) Læg flûtene på en bageplade **11**, og bag dem ved ca. 230 °C i den forvarmede ovn ved over- og undervarme i ca. 20 minutter på den nederste rille.

### BEMÆRK

Du kan også krydre det hakkede kød med basilikum, chili eller andre krydderier.

## Blomkål (gratineret)

Ingredienser:

- ◆ 1/2 blomkålshoved (ca. 250 g)
- ◆ 3 citronskiver
- ◆ 1 spsk. smør
- ◆ 1 tsk. mel med top
- ◆ 1 spsk. citronsaft
- ◆ 1 spsk. mandelflager
- ◆ 2 spsk. gratineringsost (revet)
- ◆ Salt, peber, muskat

Tilberedning:

- 1) Del blomkålen i buketter og vask dem.
- 2) Lad blomkålen simre i kogende vand med citronskiverne i 8-10 minutter, så blomkålen stadig har bid. Hæld ca. 150 ml af kogevandet i en skål, når du hælder det fra.
- 3) Smelt smørret i en gryde, og svits melet i ca. 1 minut, mens du hele tiden rører rundt.
- 4) Hæld blomkålens kogevand i, mens du rører rundt hele tiden, og lad det koge ca. 2 minutter. Hvis meljævningen bliver for fast, kan du tilsætte en smule vand lidt efter lidt, så den får en tykflydende konsistens. Krydr med citronsaft, salt, peber og muskat.
- 5) Hæld blomkålen i en gratinform (ca. 14 cm diameter) og fordel saucen ensartet derover.
- 6) Strø osten og mandelflagerne over.
- 7) Stil gratinformen på bagepladen ①.
- 8) Bag gratinen ved ca. 200 °C på nederste lille i den forvarmede bageovn ved over- og undervarme i ca. 20 minutter.

## Butterdej med laksefyld

Ingredienser:

- ◆ 1 pakke butterdejsblader (ca. 8 stk.)
- ◆ 1 pakke laks, røget, i skiver (ca. 200 g)
- ◆ 1 citron
- ◆ 1 løg
- ◆ 1 pakke flødeost (200 g)
- ◆ Frisk dild
- ◆ Salt og peber
- ◆ 1 æggeblomme

Tilberedning:

- 1) Skil butterdejspladerne ad, og lad dem eventuelt tøj op.
- 2) Bland flødeosten med salt, peber og saften fra en citron.
- 3) Skær løget i fine terninger.
- 4) Tilsæt halvdelen af laksen og løgene til flødeosten, og purér det hele groft med en stavblender.
- 5) Skær resten af laksen i fine strimler.
- 6) Tilsæt laksen og dilden til massen, og bland det hele.
- 7) Læg en skefuld af massen på en butterdejsplade, og klap den sammen.
- 8) Pensl butterdejen med en sammenpisket æggeblomme.
- 9) Læg butterdejspladerne på bagepladen ①. Læg butterdejspladerne med god afstand til hinanden, da butterdejen hæver.
- 10) Bag butterdejspladerne på den nederste skinne ved ca. 230 °C over- og undervarme i ca. 25-30 minutter. Butterdejen skal have en lysebrun farve.

### BEMÆRK

Den angivne mængde er nok til flere bageplader ①.



# Table des matières

<b>Introduction</b> .....	<b>42</b>
<b>Usage conforme</b> .....	<b>42</b>
<b>Matériel livré</b> .....	<b>42</b>
<b>Description de l'appareil</b> .....	<b>42</b>
<b>Caractéristiques techniques</b> .....	<b>42</b>
<b>Consignes de sécurité</b> .....	<b>43</b>
<b>Installation</b> .....	<b>46</b>
<b>Utilisation de l'appareil</b> .....	<b>46</b>
Porte vitrée .....	46
Insérer le tiroir ramasse-miettes .....	46
Utiliser le tournebroche .....	47
Utiliser le plateau/la grille .....	48
<b>Avant la première utilisation</b> .....	<b>48</b>
<b>Utilisation de l'appareil</b> .....	<b>49</b>
Commutateur de fonctions .....	49
Thermostat .....	49
Minuterie .....	49
<b>Grillade et cuisson</b> .....	<b>49</b>
<b>Grillade avec tournebroche</b> .....	<b>50</b>
<b>Nettoyage et entretien</b> .....	<b>52</b>
<b>Entreposage</b> .....	<b>52</b>
<b>Dépannage</b> .....	<b>53</b>
<b>Mise au rebut</b> .....	<b>54</b>
<b>Garantie de Kompnass Handels GmbH</b> .....	<b>54</b>
Service après-vente .....	55
Importateur .....	55
<b>Recettes</b> .....	<b>55</b>

## Introduction

Toutes nos félicitations pour l'achat de votre nouvel appareil.

Ainsi, vous venez d'opter pour un produit de grande qualité. Le mode d'emploi fait partie de ce produit. Il contient des remarques importantes concernant la sécurité, l'usage et la mise au rebut. Avant l'usage du produit, veuillez vous familiariser avec toutes les consignes d'utilisation et de sécurité. N'utilisez le produit que conformément aux consignes et pour les domaines d'utilisation prévus. Si vous cédez le produit à un tiers, remettez-lui également tous les documents.

## Usage conforme

Le four grill automatique sert exclusivement à réchauffer, cuire et griller des aliments.

Cet appareil est exclusivement réservé à un usage domestique. Évitez de l'utiliser à des fins professionnelles.

Toute autre utilisation est considérée comme non conforme et peut entraîner des dommages matériels, voire des accidents.

## Matériel livré

- ◆ Mini four/grill
- ◆ 1 plateau
- ◆ 1 grille
- ◆ 2 pinces
- ◆ Tournebroche avec 2 bornes
- ◆ 1 tiroir ramasse-miettes
- ◆ Mode d'emploi

### REMARQUE

Contrôlez le matériel livré directement après avoir procédé au déballage afin de vous assurer que tout est complet et que rien n'a été endommagé. Si nécessaire, veuillez vous adresser au service après-vente.

## Description de l'appareil

Figure A :

- ❶ Entraînement
- ❷ Thermostat
- ❸ Commutateur de fonction
- ❹ Minuterie
- ❺ Voyant de contrôle
- ❻ Porte vitrée
- ❼ Tiroir ramasse-miettes installé
- ❽ Barreaux chauffants inférieurs
- ❾ Logement du tournebroche

Figure B :

- ❿ Pince (pour plateau et grille)
- ⓫ Plateau
- ⓬ Pince (pour tournebroche)
- ⓭ Grille
- ⓮ Dispositif de blocage
- ⓯ Bornes du tournebroche
- ⓰ Tournebroche

## Caractéristiques techniques

Tension nominale : 220 - 240 V ~,  
50/60 Hz


Puissance absorbée max. : 1500 W



Tous les éléments de cet appareil, entrant en contact avec les aliments sont approuvés pour le contact alimentaire.

## Consignes de sécurité

### **DANGER - RISQUE D'ÉLECTROCUTION !**

- ▶ Il est interdit d'ouvrir ou de réparer le boîtier de l'appareil. Dans ce cas, la sécurité n'est plus assurée et vous perdez le bénéfice de la garantie. Confiez la réparation d'un appareil défectueux uniquement au revendeur ou à un technicien spécialisé.
  - ▶ Faites immédiatement remplacer la fiche secteur ou le cordon d'alimentation endommagé par des techniciens spécialisés agréés ou par le service clientèle, pour éviter tout risque.
  - ▶ Ne laissez pas pénétrer de liquide dans le boîtier de l'appareil. Il est interdit d'exposer l'appareil à l'humidité et de l'utiliser à l'extérieur. Éviter également de poser l'appareil sur des récipients contenant un liquide (vases, etc.). Risque d'incendie ou d'électrocution ! Si toutefois du liquide devait pénétrer dans le boîtier de l'appareil, débranchez immédiatement la fiche de la prise de courant et confiez l'appareil à un atelier spécialisé pour vérification.
  - ▶ Ne saisissez jamais l'appareil, le cordon ou la fiche avec des mains humides. Risque d'électrocution.
-  Ne plongez jamais l'appareil dans de l'eau ou d'autres liquides ! Il y a danger de mort par électrocution si des restes de liquide entrent en contact avec des pièces sous tension pendant le fonctionnement.

## **⚠ ATTENTION – RISQUE DE BLESSURE !**

- ▶ Cet appareil peut être utilisé par des enfants à partir de 8 ans et par des personnes ayant des capacités physiques, sensorielles ou mentales réduites ou un manque d'expérience et de connaissances à condition qu'elles soient surveillées ou qu'elles aient été instruites concernant l'utilisation en toute sécurité de l'appareil et qu'elles aient compris les dangers encourus.
- ▶ Ne pas laisser les enfants jouer avec l'appareil.
- ▶ Le nettoyage et la maintenance réalisés par l'utilisateur ne doivent pas être effectués par des enfants à moins qu'ils soient âgés de plus de 8 ans et surveillés.
- ▶ Éloignez l'appareil et son cordon de raccordement des enfants âgés de moins de 8 ans.
- ▶ Acheminez le cordon d'alimentation de telle manière que personne ne puisse marcher ou trébucher dessus.
- ▶ Ne touchez jamais la porte vitrée ou le boîtier en cours d'utilisation car ils peuvent devenir très chauds. Pour ouvrir la porte vitrée, utilisez une manique ou une protection similaire pour éviter les brûlures !
- ▶ Ne touchez jamais les barreaux chauffants ou la vitre en cours d'opération : attendre que l'appareil soit refroidi. Ne pas mettre la main dans l'enceinte de cuisson en cours d'opération. Attendre que l'appareil soit refroidi. Sinon risque de brûlure.
- ▶ Laissez d'abord l'appareil refroidir avant de le transporter.
- ▶ Utilisez toujours des gants ou des maniques lorsque vous manipulez l'appareil chaud.



Attention ! Surface brûlante !

**ATTENTION – DÉGÂTS MATÉRIELS !**

- ▶ N'utilisez pas de minuterie externe ni de dispositif de commande à distance séparé pour opérer l'appareil.
- ▶ Ne laissez jamais l'appareil sans surveillance en cours d'opération.
- ▶ Assurez-vous que l'appareil, le cordon d'alimentation ou la fiche secteur n'entrent pas en contact avec des sources chaudes telles que des plaques de cuisson ou des flammes nues.
- ▶ Opérez l'appareil uniquement avec les accessoires d'origine fournis.
- ▶ Ne pas tordre, ni plier, ni écraser le cordon d'alimentation.
- ▶ Pour retirer le cordon d'alimentation, toujours prendre soin de retirer la fiche de la prise et ne pas tirer sur le cordon.
- ▶ Éviter toute présence de matériau inflammable à proximité immédiate de l'appareil lorsqu'il est en marche (chiffon, manique, etc.).
- ▶ Ne jamais utiliser l'appareil pour sécher des textiles ou un objet quelconque, que ce soit en posant l'objet à sécher sur ou dans l'appareil. Danger d'incendie !



## Installation

### **AVERTISSEMENT ! RISQUE D'INCENDIE !**

- ▶ N'installez jamais l'appareil sous des armoires suspendues ou à côté de rideaux, de parois d'armoire ou d'autres objets inflammables.
- ▶ La distance entre l'appareil et les armoires suspendues, plafonds, murs latéraux ou autres doit être d'au moins 10 cm en hauteur et 5 cm de chaque côté. Ne pas installer l'appareil dans un buffet, une armoire ou tout espace confiné. En effet, il faut disposer d'un espace libre suffisant autour de l'appareil pour la ventilation (sinon risque de surchauffe ou d'incendie).
- ▶ N'installez l'appareil que sur un support résistant à la chaleur. Sinon, il y a un risque d'incendie et de mise hors service de l'appareil. La zone située sous le fond de l'appareil peut décolorer et être endommagée. D'autre part éviter d'installer le mini-four sur un support en matériau souple, ce qui risquerait de laisser des marques.

### **DANGER - RISQUE D'ÉLECTROCUTION !**

- ▶ Ne pas mettre l'appareil à proximité immédiate d'eau, par ex. dans un évier, une baignoire ou dans des caves humides. Sinon, il y a un risque d'électrocution.
- Posez l'appareil sur un support stable, plat et résistant à la chaleur (par ex. plans de travail en inox ou plans de travail en pierre naturelle comme le granit). Vérifiez qu'il y a un espace suffisant autour de l'appareil pour la ventilation.
- Poussez l'appareil le dos contre le mur. Les écarteurs au dos doivent toucher le mur. Veillez à ce que le mur soit composé d'un matériau résistant à la chaleur, par ex. carrelage, pierre naturelle ou granit.
- Nettoyez toutes les pièces, comme indiqué au chapitre «Nettoyage et entretien».

## Utilisation de l'appareil

### Porte vitrée

#### **ATTENTION ! RISQUE DE DÉGÂTS MATÉRIELS !**

- ▶ Ne pas prendre appui sur la porte vitrée **6**. De même, ne pas mettre d'objet sur la porte vitrée **6**. Risque de dommage sur les charnières.
- Des fumées peuvent apparaître lors de la cuisson de préparations ayant une forte teneur en corps gras. Dans ce cas, ne pas fermer complètement la porte vitrée **6**, mais laisser entrouvert : la porte vitrée **6** a une position de crantage qui lui permet de rester entrouverte : en refermant la porte vitrée **6** doucement, celle-ci présente une légère résistance sur cette position avant fermeture complète.
- Lors de la déshydratation de fruits également, pour obtenir des fruits secs, la porte vitrée **6** doit rester en position de crantage pour que l'humidité puisse s'échapper et que les fruits sèchent mieux.

### Insérer le tiroir ramasse-miettes

- Glissez le tiroir ramasse-miettes **7** sous les barreaux chauffants inférieurs **8**, de sorte qu'il repose à plat sur le fond de l'appareil. Vous pouvez utiliser le côté relevé et courbé comme poignée.

## Utiliser le tournebroche

### ⚠ AVERTISSEMENT ! RISQUE DE BLESSURES !

- ▶ Utilisez toujours la pince **12** pour insérer ou retirer le tournebroche chaud **16** dans l'appareil.
- Avec les deux bornes du tournebroche **15**, vous pouvez fixer les aliments à griller sur le tournebroche **16**.  
Desserrez le dispositif de blocage **14** sur les bornes du tournebroche **15**, poussez celui-ci de telle sorte que les aliments à griller soient bien serrés entre les deux et vissez à nouveau le dispositif de blocage **14** fermement.
- Glissez d'abord l'extrémité du tournebroche **16** sans rainure dans l'entraînement **1** (fig. 1) :

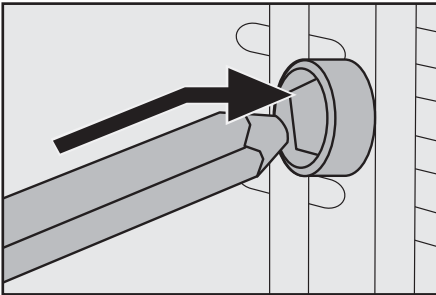


Fig. 1 : Glissez le tournebroche **16** dans l'entraînement **1**.

- Posez ensuite l'autre extrémité du tournebroche **16** avec la rainure profonde dans le logement du tournebroche **9** (fig. 2) :

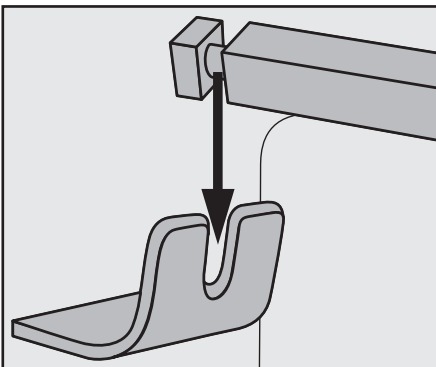


Fig. 2 : Poser le tournebroche **16** dans le logement du tournebroche **9**

### REMARQUE

- ▶ Glissez toujours le plateau **11** dans la glissière inférieure lorsque vous utilisez le tournebroche **16**. Les liquides qui tombent sont ainsi récupérés.
- Pour retirer le tournebroche chaud **16**, saisissez-le avec le crochet situé à l'extrémité de la pince **12** dans les rainures du tournebroche **16** (fig. 3) :

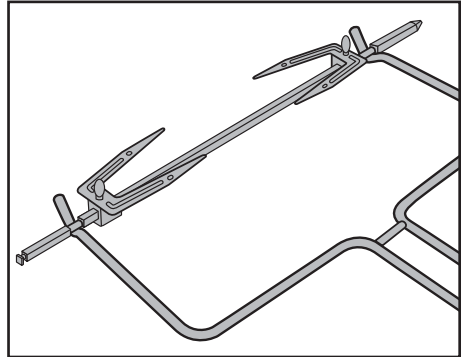


Fig. 3 : Accrochage de la pince **12** avec le tournebroche **16**

- Soulevez d'abord le côté gauche du tournebroche **16** du logement du tournebroche **9** et retirez ensuite le tournebroche **16** de l'entraînement **1**.

## Utiliser le plateau/la grille

### ⚠ AVERTISSEMENT ! RISQUE DE BLESSURES !

- ▶ Utilisez toujours la pince 10 pour insérer ou retirer le plateau 11 chaud/la grille 13 chaude dans l'appareil.
- Glissez le plateau 11/la grille 13 dans l'une des 3 glissières de l'enceinte de cuisson de l'appareil.

### ATTENTION ! RISQUE DE DÉGÂTS MATÉRIELS !

- ▶ Ne posez jamais le plateau 11/la grille 13 directement sur les barreaux chauffants 8.
- Afin de pouvoir retirer le plateau 11 chaud ou la grille 13 accrochez la pince 10 comme suit :

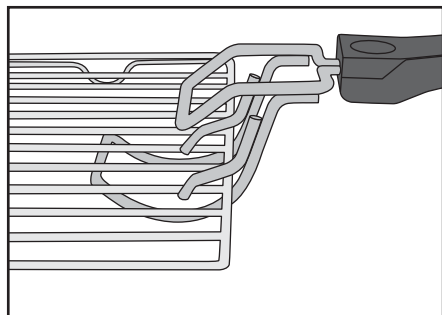


Fig. 4 : Accrochage de la pince 10 avec la grille 13

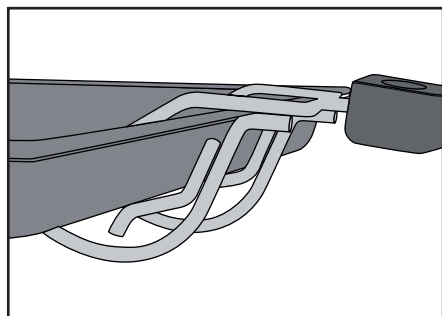


Fig. 5 : Accrochage de la pince 10 avec le plateau 11.

## Avant la première utilisation

- 1) Branchez la fiche secteur dans une prise secteur.
- 2) Réglez le thermostat 2 à la température la plus élevée, en allant jusqu'à la butée dans le sens des aiguilles d'une montre.
- 3) Tournez le commutateur de fonctions 3 sur «Chaleur haut + bas»
- 4) Ouvrez la porte vitrée 6 et laissez-la ouverte pour ce processus.
- 5) Retirez éventuellement les accessoires insérés de l'enceinte de cuisson.
- 6) Réglez la minuterie 4 sur 20 minutes.

### REMARQUE

- ▶ Lorsque vous faites chauffer l'appareil pour la première fois, les résidus de fabrication peuvent entraîner une légère formation de fumée ou d'odeur. Ce phénomène est tout à fait normal et sans risque. Assurez une aération suffisante, en ouvrant une fenêtre par exemple.

L'appareil s'éteint automatiquement après 20 minutes.

Si vous voulez interrompre prématurément le processus de chauffage, réglez le thermostat 2 jusqu'à la butée dans le sens inverse des aiguilles d'une montre et mettez la minuterie 4 sur «OFF - 0».






- 7) Laissez l'appareil refroidir et nettoyez l'appareil tel que stipulé au chapitre «Nettoyage et entretien».

L'appareil est maintenant prêt à l'emploi.

## Utilisation de l'appareil






### Commutateur de fonctions

Sur le commutateur de fonctions **3** vous pouvez mettre l'appareil en marche et régler 5 fonctions différentes :

Symbole	Signification
	«Chaleur bas», par ex. pour faire de la pâtisserie
	«Chaleur haut», par ex. pour faire gratiner
	«Chaleur haut + bas» par ex. pour cuire des pizzas
	«Chaleur haut/ chaleur tournante/ tournebroche» par ex. pour griller de la volaille
	«Chaleur haut + bas/ chaleur tournante» par ex. pour réchauffer des petits pains
OFF	«OFF» l'appareil est éteint

### Thermostat


Sur le thermostat **2**, vous pouvez régler la température désirée

- Lorsque vous réglez la température pour les fonctions «Chaleur haut» , «Chaleur bas»  ou «Chaleur haut + bas» , reportez-vous à l'échelle graduée signalée par «**I**».
- Lorsque vous réglez la température pour les fonctions «Chaleur haut/chaleur tournante/tournebroche»  ou «chaleur haut + bas/chaleur tournante» , reportez-vous à l'échelle graduée signalée par «**II**».

### Minuterie

La minuterie **4** vous permet de régler le temps de cuisson.

- Mettez la minuterie **4** sur le temps de cuisson désiré. A la fin de la durée programmée, un signal sonore retentit et l'appareil arrête de chauffer.

Dans le cas où la fonction «Chaleur haut/chaleur tournante/tournebroche»  est sélectionnée, la rotation du tournebroche **16** s'arrête.

### Grillade et cuisson

- 1) Posez le tiroir ramasse-miettes **7** dans l'appareil.
- 2) Retirez la grille **15** et le plateau **11** de l'appareil. Disposez le cas échéant une feuille de papier sulfurisé ou enduisez le plateau **11** de graisse adaptée à la cuisson.

#### REMARQUE

- Selon le plat, le four doit être préchauffé. Tenez-vous en aux directives dans chaque recette. Le préchauffage est utile dans tous les cas pour :
    - les temps de cuisson très courts,
    - les croûtes croustillantes,
    - les plats sensibles qui nécessitent une température constante, tels que les soufflés.
  - Si aucun préchauffage n'est nécessaire, passez à l'étape d'action 3.
- 3) Mettez l'appareil en chauffe 10 minutes environ (selon le réglage de température) jusqu'à la température souhaitée :

- Sélectionnez la température souhaitée avec le thermostat **2**. Veillez à utiliser la bonne échelle graduée (voir chapitre «Thermostat».)
- Ensuite, sélectionnez la fonction désirée à l'aide du commutateur de fonctions **3**.

## REMARQUE

- ▶ Si vous sélectionnez la fonction à chaleur tournante, un préchauffage du grill et de l'enceinte de cuisson est en général inutile.
    - Réglez la minuterie **4** sur le temps de préchauffage (environ 10 minutes).
    - Refermez la porte vitrée **6**.
- 4) Le délai écoulé, mettre le plat ou la préparation sur la grille **13** ou le plateau **11** et mettre en place dans l'une des glissières du four. Vérifiez qu'il y a un espace suffisant entre le plat et les parois du four d'une part, et les barreaux chauffants d'autre part.

## REMARQUE

- ▶ Si vous préparez des aliments qui gouttent fortement sur la grille **13**, alors faites glisser le plateau **11** dans la glissière inférieure. La graisse qui s'égoutte est récupérée et l'appareil est ensuite plus facile à nettoyer.
- 5) Refermez la porte vitrée **6** avant de lancer la cuisson.
- 6) Mettre la minuterie **4** sur le temps de cuisson souhaité. Le temps maximal de la minuterie est de 120 minutes.

## REMARQUE

- ▶ Lorsque le temps de cuisson pour la préparation du plat est inférieure à 20 minutes, mettre la minuterie **4** d'abord sur 40 minutes, puis sur le temps de cuisson normalement prévu.

Le voyant de contrôle **5** indique que l'appareil est allumé. Le bouton de la minuterie **4** se déplace maintenant dans le sens inverse des aiguilles d'une montre vers «OFF-0».

L'appareil s'éteint automatiquement après le délai pré réglé, un signal sonore retentit et le voyant de contrôle **5** s'éteint.

## REMARQUE


- Si vous voulez interrompre prématurément le processus de chauffage, réglez le thermostat **2** jusqu'à la butée dans le sens inverse des aiguilles d'une montre et mettez la minuterie **4** sur «OFF - 0».
- 7) Après le processus de chauffage, retirez la grille **13** ou le plateau **11** à l'aide de la pince **10**.
- 8) Réglez le commutateur de fonctions **3** sur «OFF».

## Grillade avec tournebroche

- 1) Posez le tiroir ramasse-miettes **7** dans l'appareil.
- 2) S'il est installé, retirez le tournebroche **16** de l'appareil.
- 3) Glissez le plateau **11** dans la glissière inférieure.
- 4) Fixez les aliments à griller aux bornes du tournebroche **16**. Assurez-vous que les aliments à griller peuvent tourner librement dans l'enceinte de cuisson sans toucher l'enceinte de cuisson. Il peut arriver que le tournebroche **16** change de sens de rotation lorsque les aliments à griller butent contre une résistance. Les deux rainures qui se trouvent sur le tournebroche **16** doivent rester librement accessibles sans quoi il est impossible de saisir le tournebroche **16** avec la pince **12**.
- 5) Fixez le tournebroche **16** dans l'enceinte de cuisson (voir chapitre «Utilisation du tournebroche»).
- 6) Refermez la porte vitrée **6**.

## REMARQUE

Si vous voulez interrompre prématurément le processus de chauffage, réglez le thermostat **2** jusqu'à la butée dans le sens inverse des aiguilles d'une montre et mettez la minuterie **4** sur «OFF - 0».

- 7) Réglez la température désirée sur le thermostat **2**.
- 8) Réglez le commutateur de fonctions **3** sur «Chaleur haut/chaleur tournante/ tournebroche» . Réglez la durée de grill souhaitée sur la minuterie **4**. L'appareil démarre la cuisson et le tournebroche **15** tourne.

Le voyant de contrôle **5** indique que l'appareil est allumé. Le bouton de la minuterie **4** se déplace maintenant dans le sens inverse des aiguilles d'une montre vers «OFF - 0».

L'appareil s'éteint automatiquement après le délai pré réglé, un signal sonore retentit et le voyant de contrôle **5** s'éteint.

## REMARQUE



Si vous voulez interrompre prématurément le processus de chauffage, réglez le thermostat **2** jusqu'à la butée dans le sens inverse des aiguilles d'une montre et mettez la minuterie **4** sur «OFF - 0».

- 9) Une fois la cuisson finie, retirez le tournebroche **15** à l'aide de la pince **12**.
- 10) Réglez le commutateur de fonctions **3** sur «OFF».

## EXEMPLE POULET GRILLÉ

### Ingrédients


- ◆ Poulet à griller (env. 1,3 kg, éviscéré)
- ◆ Épices (sel, poivre)
- ◆ Huile de cuisson

- 1) Assaisonnez le poulet à griller à l'intérieur et à l'extérieur avec du sel et du poivre. Badigeonnez-le en surface d'huile de cuisson résistante à la chaleur.
- 2) Glissez le poulet à griller sur la broche **16** et fixez-la aux bornes du tournebroche **15**. Assurez-vous que les rainures sur le tournebroche **15** restent dégagées afin que vous puissiez attraper le tournebroche **16** à l'aide de la pince **12**. Selon la forme du poulet à griller, il est nécessaire de fixer les ailes et les cuisses avec une ficelle de liage réfractaire afin que celles-ci ne heurtent pas le four en tournant.
- 3) Glissez le plateau **11** dans la glissière inférieure.
- 4) Préchauffez l'appareil env. 10 minutes avec la fonction «Chaleur haut + bas/chaleur tournante»  sur 210°C.
- 5) Insérez le poulet à griller sur le tournebroche à l'aide de la pince **12** dans l'appareil.
- 6) Réglez le commutateur de fonctions sur «Chaleur haut/chaleur tournante/ tournebroche»  et fermez la porte.
- 7) Réglez la minuterie **4** sur env. 80 minutes. Le temps de cuisson peut varier selon la taille et la nature du poulet à griller.
- 8) Arrosez le poulet grillé de temps en temps avec un peu d'huile de cuisson. Ainsi, il sera croustillant.
- 9) Lorsque la durée programmée est écoulée, retirez la broche du poulet grillé doucement avec la pince **12**. Desserrez les bornes du tournebroche **15** et retirez le poulet du tournebroche **16**.

## Nettoyage et entretien

### **⚠ DANGER - RISQUE D'ÉLECTROCUTION !**

- ▶ Avant chaque nettoyage, retirez la fiche secteur de la prise secteur !  
Risque d'électrocution !

 Ne plongez jamais l'appareil dans de l'eau ou d'autres liquides !

### **⚠ AVERTISSEMENT ! RISQUE DE BLESSURES !**

- ▶ Laissez toujours refroidir l'appareil avant de le nettoyer. Sinon, il y a un risque de blessures !

- Nettoyez l'appareil et les accessoires le plus tôt possible après le refroidissement. Les restes alimentaires peuvent ensuite être enlevés plus facilement.

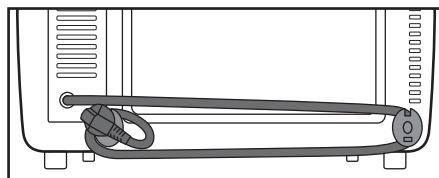
### **ATTENTION ! RISQUE DE DÉGÂTS MATÉRIELS !**

- ▶ N'utilisez pas de produit nettoyant abrasif ou agressif. Ceux-ci peuvent en effet endommager la surface !
- ▶ Ne nettoyez pas les pièces de l'appareil dans le lave-vaisselle !
- ▶ Ne nettoyez pas l'enceinte de cuisson avec un spray pour four, étant donné que les résidus ne peuvent plus être enlevés sur les barreaux chauffants.

- Essuyez l'appareil avec un chiffon humide. Si nécessaire, ajoutez du produit vaisselle doux sur le chiffon et rincez avec un chiffon humidifié à l'eau claire. Bien sécher le tout.
- Nettoyez l'enceinte de cuisson et la porte vitrée **6** à l'aide d'un chiffon humidifié. Si nécessaire, ajoutez du produit vaisselle doux sur le chiffon et rincez avec un chiffon humidifié à l'eau claire. Bien sécher le tout.
- Nettoyez les pinces **10/12**, le tournebroche **16**, les bornes du tournebroche **15**, le dispositif de blocage **14**, le plateau **11**, la grille **13** et le tiroir ramasse-miettes **7** dans de l'eau chaude savonneuse. Veillez à bien sécher toutes les pièces après le nettoyage.

## Entreposage

- Vous pouvez enrouler le cordon d'alimentation autour de l'espaceur au dos de l'appareil et fixer le connecteur à un espaceur :



- Conservez l'appareil nettoyé et ses accessoires dans un endroit sec, propre et exempt de poussières.

## Dépannage

Défaut	Cause	Solution
L'appareil ne fonctionne pas.	La fiche secteur n'est pas raccordée au réseau électrique.	Branchez la fiche secteur dans une prise secteur.
	La prise secteur est défectueuse.	Utilisez une autre prise secteur.
	L'appareil est défectueux.	Adressez-vous au service après-vente.
Le voyant de contrôle ⑤ est allumé mais l'appareil ne chauffe pas.	Le commutateur de fonctions ③ est sur OFF.	Tournez le commutateur de fonctions ③ sur la fonction souhaitée.
Le temps de cuisson des plats semble très long.	La porte vitrée ⑥ a été ouverte très souvent pour contrôler l'avancée de la cuisson.	N'ouvrez pas la porte vitrée ⑥ plus souvent qu'il n'est absolument nécessaire.
	Une mauvaise température est réglée.	Vérifiez les réglages de température.
Pendant l'utilisation, il se forme de la fumée et des odeurs.	Des résidus de nettoyage ou des restes alimentaires se trouvent sur les barreaux chauffants.	Retirez les aliments de l'appareil et poursuivez la cuisson avec la porte vitrée ouverte ⑥ jusqu'à ce que les fumées disparaissent.

Si vous ne parvenez pas à remédier aux pannes à l'aide des indications données ci-dessus ou si vous constatez d'autres types de pannes, veuillez vous adresser à notre service après-vente.



## Mise au rebut



**Ne jamais jeter l'appareil avec les ordures ménagères. Ce produit est assujéti à la directive européenne 2012/19/EU.**

Éliminez l'appareil par l'intermédiaire d'une entreprise de traitement des déchets autorisée ou via le service de recyclage de votre commune. Respectez la réglementation en vigueur. En cas de doute, veuillez contacter votre centre de recyclage.



L'emballage est réalisé à l'aide de matériaux écologiques qu'il est possible de confier aux centres de recyclage proches de chez vous.



Le produit recyclable doit être trié ou rapporté dans un point de collecte pour être recyclé.

## Garantie de Kompernass Handels GmbH

Chère cliente, cher client,

Cet appareil est garanti 3 ans à partir de la date d'achat. Si ce produit venait à présenter des vices, vous disposez de droits légaux face au vendeur de ce produit. Vos droits légaux ne sont pas restreints par notre garantie présentée ci-dessous.

### Conditions de garantie

La période de garantie débute à la date de l'achat. Veuillez bien conserver le ticket de caisse d'origine. Ce document servira de preuve d'achat.

Si dans un délai de trois ans suivant la date d'achat de ce produit, un vice de matériel ou de fabrication venait à apparaître, le produit sera réparé ou remplacé gratuitement par nos soins, selon notre choix. Cette prestation de garantie nécessite dans un délai de trois ans la présentation de l'appareil défectueux et du justificatif d'achat (ticket de caisse) ainsi que la description brève du vice et du moment de son apparition.

Si le vice est couvert par notre garantie, vous recevrez le produit réparé ou un nouveau produit en retour. Aucune nouvelle période de garantie ne débute avec la réparation ou l'échange du produit.

## Période de garantie et réclamation légale pour vices cachés

L'exercice de la garantie ne prolonge pas la période de garantie. Cette disposition s'applique également aux pièces remplacées ou réparées. Les dommages et vices éventuellement déjà présents à l'achat doivent être signalés immédiatement après le déballage. Toute réparation survenant après la période sous garantie fera l'objet d'une facturation.

### Étendue de la garantie

L'appareil a été fabriqué avec soin conformément à des directives de qualité strictes et consciencieusement contrôlé avant sa livraison.

La prestation de garantie est valable pour des vices de matériel et de fabrication. Cette garantie ne s'étend pas aux pièces du produit qui sont exposées à une usure normale et peuvent de ce fait être considérées comme pièces d'usure, ni aux détériorations de pièces fragiles, par ex. connecteur, accu, moules ou pièces en verre.

Cette garantie devient caduque si le produit est détérioré, utilisé ou entretenu de manière non conforme. Toutes les instructions listées dans le manuel d'utilisation doivent être exactement respectées pour une utilisation conforme du produit. Des buts d'utilisation et actions qui sont déconseillés dans le manuel d'utilisation, ou dont vous êtes avertis doivent également être évités.

Le produit est uniquement destiné à un usage privé et ne convient pas à un usage professionnel. La garantie est annulée en cas d'entretien incorrect et inapproprié, d'usage de la force et en cas d'intervention non réalisée par notre centre de service après-vente agréé.

## Procédure en cas de garantie

Afin de garantir un traitement rapide de votre demande, veuillez suivre les indications suivantes :

- Veuillez avoir à portée de main pour toutes questions le ticket de caisse et la référence article (par ex. IAN 12345) en tant que justificatif de votre achat.
- Vous trouverez la référence sur la plaque signalétique, une gravure, sur la page de garde de votre manuel d'utilisation (en bas à gauche) ou sous forme d'autocollant au dos ou sur le dessous.
- Si des erreurs de fonctionnement ou d'autres vices venaient à apparaître, veuillez d'abord contacter le département service clientèle cité ci-dessous par **téléphone** ou **par e-mail**.
- Vous pouvez ensuite retourner un produit enregistré comme étant défectueux en joignant le ticket de caisse et en indiquant en quoi consiste le vice et quand il est survenu, sans devoir l'affranchir à l'adresse de service après-vente communiquée.



Sur [www.lidl-service.com](http://www.lidl-service.com), vous pouvez télécharger ce manuel ainsi que beaucoup d'autres, des vidéos produit et logiciels.

## Service après-vente

FR

### Service France

Tel.: 0800 919270

E-Mail: [kompennass@lidl.fr](mailto:kompennass@lidl.fr)

BE

### Service Belgique

Tel.: 070 270 171 (0,15 EUR/Min.)

E-Mail: [kompennass@lidl.be](mailto:kompennass@lidl.be)

IAN 274498

## Importateur

Veuillez tenir compte du fait que l'adresse suivante n'est pas une adresse de service après-vente. Veuillez d'abord contacter le service mentionné.

KOMPERNASS HANDELS GMBH

BURGSTRASSE 21

44867 BOCHUM

GERMANY

[www.kompennass.com](http://www.kompennass.com)

## Recettes

Ce chapitre vous présente quelques exemples de recettes. Ces exemples ne sont que des recommandations. Les temps de préparation peuvent varier.

Recettes sans garantie. Toutes les indications relatives aux ingrédients et aux préparations sont des valeurs approximatives. Complétez ces propositions de recette avec vos expériences personnelles.

Nous vous souhaitons beaucoup de réussite et un bon appétit.

### REMARQUE

Noter les conseils de préparation donnés sur les emballages des produits alimentaires.

## Muffins

Recette pour quatre personnes :

- ◆ 1 tasse de farine
- ◆ 1 cuillère à café de levure chimique
- ◆ 1 œuf
- ◆ 1 cuillère à soupe de beurre fondu
- ◆ 1 tasse de lait
- ◆ 3 c-à-s de sucre
- ◆ 1 pincée de sel
- ◆ et pour différentes variantes des noix, de la banane écrasée ou des flocons de chocolat

Préparation :

- 1) Mélanger lentement dans un bol à la file la farine, la levure, l'œuf, le lait, le sel et le sucre.
- 2) Fondre le beurre dans une casserole et le mélanger à la pâte.
- 3) Selon les goûts, ajouter des noix, de la banane écrasée ou des flocons de chocolat.
- 4) Mettre la pâte dans des moules à muffin typiques et les placer sur la plaque de cuisson ①.
- 5) Faire cuire à 220°C à chaleur haut + bas pendant env. 15 minutes sur le rail inférieur.

## Toast Hawaii

Ingrédients pour 4 toasts :

- ◆ 4 tranches de toast
- ◆ 1 ou -2 cuillères à soupe de rémoulade
- ◆ 120 g de jambon blanc
- ◆ 1/2 boîte d' ananas
- ◆ 4 tranches de fromage pour gratiner
- ◆ Curry

Préparation :

- ◆ Préchauffer les tranches de toast.
- ◆ Puis mettre une fine couche de rémoulade et garnir avec le jambon.
- ◆ Placer respectivement une tranche d' ananas sur le toast. Assaisonner avec du curry.
- ◆ Puis disposer une tranche de fromage sur la tranche d' ananas.
- ◆ Mettre les toasts Hawaii sur la grille **13**, mettre la grille dans la position supérieure et cuire environ 8 minutes à environ 200 °C à chaleur haut.

## Cuisson d'une pizza congelée

Préparation :

- ◆ Engager la grille **13** dans le rail supérieur de l'enceinte de cuisson et de grill.
- ◆ Placer la pizza congelée sans son emballage sur la grille **13**.
- ◆ Cuire la pizza pendant environ 20 minutes à chaleur de voûte et de sole.
- ◆ Veuillez tenir compte des indications données sur l'emballage concernant la température.

## Biscuits sablés

Ingrédients :

- ◆ 125 g de beurre
- ◆ 125 g de sucre
- ◆ 1 paquet de sucre vanillé
- ◆ 1 pincée de sel
- ◆ 1 œuf
- ◆ 1 blanc d'œuf
- ◆ 250 g de farine (type 405)
- ◆ 1 cuillère à café de levure chimique
- ◆ Zeste râpé d'un demi-citron

Préparation :

- 1) Battre le beurre en mousse.
- 2) Ajouter le sucre, le sucre vanillé, le zeste de citron et les œufs.
- 3) Mélanger la farine, la levure chimique et le sel et les incorporer à la pâte à l'aide d'une cuillère en bois.
- 4) Laisser reposer la pâte environ 10 minutes.
- 5) Mettre la pâte dans le moule souhaité à l'aide d'un hachoir, d'emporte-pièces ou d'une poche à douille.
- 6) Placer les biscuits sablés sur la plaque de cuisson **11** recouverte de papier sulfurisé.
- 7) Faire cuire les biscuits sablés dans un four préchauffé à 180 °C à chaleur haut + bas pendant 10-15 minutes environ sur le rail supérieur jusqu'à obtenir une belle couleur dorée.

### REMARQUE

La quantité de pâte suffit pour plusieurs plaques de cuisson **11**.

### Petits pains

Ingrédients :

- ◆ 300 g de farine (ou de farine complète)
- ◆ 2 bonnes cuillères à café de levure chimique
- ◆ 200 g de graines de lin
- ◆ 1 œuf
- ◆ 500 g de fromage blanc
- ◆ 1 cuillère à café de sel
- ◆ plus selon les goûts du cumin, des oignons, du lard ...

Préparation :

- 1) Bien pétrir le tout et former des petits pains.
- 2) Disposer les petits pains sur une plaque de cuisson ❶ recouvert de papier sulfurisé.
- 3) Cuire à 200 °C environ à chaleur haut pendant 30 minutes sur le rail supérieur.

#### REMARQUE

La quantité de pâte suffit pour plusieurs plaques de cuisson ❶.

### Meringue

Ingrédients :

- ◆ 1 blanc d'œuf
- ◆ Sel
- ◆ 45 g de sucre

Préparation :

- 1) Mettre le blanc d'œuf frais dans un saladier sans gras. Ne pas mélanger de jaune d'œuf, sinon le blanc d'œuf ne montera pas en neige.
- 2) Battre le blanc d'œuf doucement, pour éviter la formation de grosses bulles dans la neige.
- 3) Assaisonner avec une pincée de sel.
- 4) Ajouter à petites doses la moitié du sucre lorsque la neige commence à prendre de la consistance.
- 5) Puis fouetter plus énergiquement.
- 6) Ajouter le reste du sucre. La masse de meringue prend une consistance ferme.
- 7) Remplir de meringue dans une poche à douille avec un grand bec verseur et verser sur la plaque de cuisson ❶ recouvert de papier sulfurisé en formant des rosettes, des langues ou tout autre motif.
- 8) échauffer le mini four/grill à environ 100 °C avec la fonction chaleur tournante.
- 9) Faire cuire environ 2 heures les meringues en position supérieure dans le four à environ 100 °C, en chaleur tournante.

## Croûtons au beurre

Ingrédients :

- ◆ 2 tranches de toast. toa
- ◆ 1 CS de beurre

Préparation :

- 1) Coupez le toast en petits dés.
- 2) Faites fondre le beurre à feu doux dans une casserole et ajoutez les dés de toast.
- 3) Placez du papier sulfurisé sur la plaque de cuisson **11** et répartissez-y les dés de toast de manière uniforme.
- 4) Faites cuire les dés de toast à env. 170°C à chaleur haut sur le rail supérieur jusqu'à obtenir une jolie couleur dorée (env. 15 à 20 minutes).

### REMARQUE

Vous pouvez également utiliser du beurre aux herbes ou du beurre à l'ail au lieu de beurre nature. Le temps de cuisson se réduit alors d'env. 5 minutes.

## Baguettes à la viande hachée

Ingrédients :

- ◆ 2 petites baguettes
- ◆ 250 g de viande hachée (moitié porc et moitié veau)
- ◆ 2 tomates
- ◆ 1 oignon, coupé en dés
- ◆ 2 CS de concentré de tomates
- ◆ 40 g de parmesan râpé
- ◆ 4 tranches de fromage
- ◆ Sel et poivre

Préparation :

- 1) Coupez les baguettes en deux et retirez la mie.
- 2) Mélangez la viande hachée, le concentré de tomates, les oignons, le parmesan, un peu de sel et un peu de poivre.
- 3) Formez quatre boulettes de viande hachée de taille similaire, les plus plates possibles et posez-les sur les moitiés de baguettes.
- 4) Coupez la tomate en tranches et répartissez-la sur les baguettes.
- 5) Répartissez le fromage sur les baguettes.
- 6) Placez les baguettes sur la plaque de cuisson **11** et faites-les cuire à env. 230°C à four préchauffé à chaleur haut+bas pendant env. 20 minutes sur le rail inférieur.

### REMARQUE

N'hésitez pas à assaisonner la viande hachée à l'aide de basilic, de chili ou d'autres épices.

## Gratin de chou-fleur

Ingrédients :

- ◆ 1/2 tête de chou-fleur (env. 250 g)
- ◆ 3 tranches de citron
- ◆ 1 CS de beurre
- ◆ 1 CC bombée de farine
- ◆ 1 CS de jus de citron
- ◆ 1 CS d'amandes effilées
- ◆ 2 CS de fromage à gratin (râpé)
- ◆ Sel, poivre, noix de muscade

Préparation :

- 1) Détachez les bouquets du chou-fleur et lavez-les.
- 2) Faites cuire le chou-fleur avec les tranches de citron à l'eau bouillante salée pendant 8 à 10 minutes, jusqu'à ce que le chou-fleur soit bien ferme. Réservez env. 150 ml de l'eau de cuisson.
- 3) Faites fondre le beurre dans une casserole et réalisez un roux en remuant la farine constamment pendant env. 1 minute.
- 4) En remuant constamment, ajoutez l'eau de cuisson du chou-fleur et faites bouillir pendant env. 2 minutes. Si le roux devient trop ferme, ajoutez progressivement encore un peu d'eau jusqu'à obtenir une consistance veloutée. Assaisonner d'un jus de citron, de sel, de poivre et de noix de muscade.
- 5) Mettez le chou-fleur dans un moule à gratin (d'un diamètre d'env. 14 cm) et nappez-le uniformément de sauce.
- 6) Parsemez de fromage et d'amandes effilées.
- 7) Placez le moule à gratin sur une plaque de cuisson ①.
- 8) Faites cuire le gratin à env. 200 °C à four préchauffé à chaleur haut+bas pendant env. 20 minutes sur le rail inférieur.

## Friands farcis au saumon

Ingrédients :

- ◆ 1 paquet de pâte feuilletée (env. 8 pièces)
- ◆ 1 paquet de saumon fumé en tranches (env. 200 g)
- ◆ 1 citron
- ◆ 1 oignon
- ◆ 1 paquet de fromage frais (200 g)
- ◆ De l'aneth fraîche
- ◆ Sel et poivre
- ◆ 1 jaune d'œuf

Préparation :

- 1) Séparez les feuilles de pâte feuilletée et le cas échéant, laissez-les décongeler.
- 2) Mélangez le fromage frais avec du sel, du poivre et le jus d'un citron.
- 3) Coupez l'oignon en dés fins.
- 4) Ajoutez la moitié du saumon et les oignons au fromage frais et hachez le tout grossièrement à l'aide d'un mixeur.
- 5) Coupez le reste du saumon en fines lamelles.
- 6) Ajoutez le saumon et l'aneth à la préparation et mélangez le tout.
- 7) Mettez une cuillère à soupe remplie de préparation sur une feuille de pâte feuilletée et rabattez les bords.
- 8) Badigeonnez le friand ainsi obtenu de jaune d'œuf.
- 9) Posez les friands sur la plaque de cuisson ①. Laissez suffisamment d'écart entre les différents friands, car la pâte feuilletée gonflera.
- 10) Faire cuire environ 25 - 30 minutes sur le rail inférieur à environ 230 °C, à chaleur haut + bas. La pâte feuilletée doit légèrement brunir.

### REMARQUE

Les quantités indiquées suffisent pour plusieurs plaques de cuisson ①.



# Inhoud

<b>Inleiding</b> .....	<b>62</b>
<b>Gebruik in overeenstemming met bestemming</b> .....	<b>62</b>
<b>Inhoud van het pakket</b> .....	<b>62</b>
<b>Productbeschrijving</b> .....	<b>62</b>
<b>Technische gegevens</b> .....	<b>62</b>
<b>Veiligheidsvoorschriften</b> .....	<b>63</b>
<b>Plaatsen</b> .....	<b>66</b>
<b>Gebruik van het apparaat</b> .....	<b>66</b>
Glazen deur .....	66
Kruimelplaat plaatsen .....	66
Draaispies gebruiken .....	67
Bakplaat/grillrooster gebruiken .....	68
<b>Vóór de ingebruikname</b> .....	<b>68</b>
<b>Bediening van het apparaat</b> .....	<b>69</b>
Funcieschakelaar .....	69
Temperatuurregelaar .....	69
Timer .....	69
<b>Grillen en bakken</b> .....	<b>69</b>
<b>Grillen met draaispies</b> .....	<b>70</b>
<b>Reiniging en onderhoud</b> .....	<b>72</b>
<b>Opbergen</b> .....	<b>72</b>
<b>Problemen oplossen</b> .....	<b>73</b>
<b>Afvoeren</b> .....	<b>74</b>
<b>Garantie van Kompernaß Handels GmbH</b> .....	<b>74</b>
Service .....	75
Importeur .....	75
<b>Recepten</b> .....	<b>75</b>



## Inleiding

Hartelijk gefeliciteerd met de aankoop van uw nieuw apparaat.

U hebt hiermee gekozen voor een hoogwaardig product. De gebruiksaanwijzing maakt deel uit van dit product. Deze bevat belangrijke aanwijzingen voor veiligheid, gebruik en afvoeren. Lees alle bedienings- en veiligheidsvoorschriften voordat u het product in gebruik neemt. Gebruik het product uitsluitend op de voorgeschreven wijze en voor de aangegeven doeleinden. Geef alle documenten mee als u het product doorgeeft aan een derde.

## Gebruik in overeenstemming met bestemming

De grill- en bakautomaat dient uitsluitend voor het opwarmen, garen en grillen van etenswaren.

Dit apparaat is uitsluitend bestemd voor gebruik in privéhuishoudens. Gebruik het apparaat derhalve niet bedrijfsmatig.

Elk ander gebruik geldt als niet in overeenstemming met de bestemming en kan resulteren in materiële schade of zelfs lichamelijk letsel.

## Inhoud van het pakket

- ◆ Grill- en bakautomaat
- ◆ 1 bakplaat
- ◆ 1 grillrooster
- ◆ 2 tangen
- ◆ Draaispies met 2 klemmen
- ◆ 1 kruimelplaat
- ◆ Gebruiksaanwijzing

### OPMERKING

Controleer de inhoud van het pakket direct na het uitpakken op volledigheid en schade. Neem zo nodig contact op met de klantenservice.

## Productbeschrijving

Afbeelding A:

- 1 Aandrijving
- 2 Temperatuurregelaar
- 3 Functieschakelaar
- 4 Timer
- 5 Indicatielampje
- 6 Glazen deur
- 7 Bevestigde kruimelplaat
- 8 Onderste verwarmingselementen
- 9 Draaispieshouder

Afbeelding B:

- 10 Tang (voor bakplaat en grillrooster)
- 11 Bakplaat
- 12 Tang (voor draaispies)
- 13 Grillrooster
- 14 Vergrendeling
- 15 Draaispiesklemmen
- 16 Draaispies

## Technische gegevens

Nominale spanning: 220 - 240 V ~,  
50/60 Hz

Max. opgenomen  
vermogen: 1500 W



Alle delen van het apparaat die in aanraking komen met levensmiddelen, zijn levensmiddelveilig.

## Veiligheidsvoorschriften

### **GEVAAR – ELEKTRISCHE SCHOK!**

- ▶ U mag de apparaatbehuizing niet openen of repareren. In dat geval is de veiligheid niet gegarandeerd en vervalt de garantie. Laat een defect apparaat alleen door de dealer of erkend vakkundig personeel repareren.
  - ▶ Laat beschadigde stekkers en snoeren onmiddellijk door erkend en vakkundig personeel of door de klantenservice vervangen, zodat risico's worden vermeden.
  - ▶ Laat geen vloeistoffen in de apparaatbehuizing binnendringen. Stel het apparaat niet bloot aan vocht en gebruik het niet in de openlucht. Bovendien mag u geen met vloeistof gevulde voorwerpen, zoals bijv. vazen, op het apparaat plaatsen. Er bestaat brandgevaar en gevaar voor een elektrische schok! Mocht er toch vloeistof in de apparaatbehuizing komen, haal dan meteen de stekker van het apparaat uit het stopcontact en laat het apparaat repareren.
  - ▶ Pak het apparaat, het snoer en de stekker nooit met natte handen vast. Er bestaat anders gevaar voor een elektrische schok!
-  Dompel het apparaat nooit onder in water of in andere vloeistoffen! Er kan levensgevaar ontstaan door een elektrische schok, wanneer bij gebruik vloeistoffen in aanraking komen met onderdelen onder spanning.

## **WAARSCHUWING – LETSELGEVAAR!**

- ▶ Dit apparaat mag worden gebruikt door kinderen vanaf 8 jaar en door personen met beperkte fysieke, zintuiglijke of geestelijke vermogens of gebrek aan ervaring en/of kennis, mits ze onder toezicht staan of over het veilige gebruik van het apparaat zijn geïnstrueerd en de daaruit resulterende gevaren hebben begrepen.
- ▶ Kinderen mogen niet met het apparaat spelen.
- ▶ Reiniging en onderhoud door de gebruiker mogen niet door kinderen worden uitgevoerd, tenzij ze ouder dan 8 jaar zijn en onder toezicht staan.
- ▶ Houd het apparaat en het bijbehorende snoer buiten bereik van kinderen jonger dan 8 jaar.
- ▶ Leg het snoer zo, dat er niemand op trapt of erover kan struikelen.
- ▶ Raak tijdens het gebruik nooit de glazen deur of de behuizing aan, omdat die zeer heet worden. Gebruik een pannenzak of iets dergelijks om de glazen deur te openen om verbrandingen te vermijden!
- ▶ Raak nooit de verwarmingselementen of het kijkvenster aan als het apparaat in bedrijf is of voordat het apparaat is afgekoeld. Kom tijdens het bedrijf niet met uw handen in de gaarruimte. Wacht tot het apparaat is afgekoeld. Anders kunt u zich verbranden.
- ▶ Laat het apparaat na gebruik eerst afkoelen alvorens het te transporteren.
- ▶ Gebruik bij de omgang met het hete apparaat altijd ovenwanten of pannenzakken!



Voorzichtig! Heet oppervlak!

**LET OP – MATERIËLE SCHADE!**

- ▶ Gebruik geen externe tijdschakelklok of een separaat systeem voor afstandsbediening om het apparaat te bedienen.
- ▶ Laat het apparaat nooit onbeheerd als het is ingeschakeld.
- ▶ Let erop dat het apparaat, het snoer en de stekker nooit in aanraking komen met hittebronnen zoals kookplaten of open vuur.
- ▶ Gebruik het apparaat alleen met de meegeleverde originele accessoires.
- ▶ Knik of plet het snoer niet.
- ▶ Trek het snoer altijd met de stekker uit het stopcontact, trek nooit aan het snoer zelf.
- ▶ Tijdens het bedrijf mogen zich geen licht brandbare materialen in de onmiddellijke omgeving van de grill- en bakauto-maat bevinden (bijv. vaatdoeken, ovenwanten, enz.).
- ▶ Droog nooit textiel of voorwerpen boven of in het apparaat. Er bestaat brandgevaar!

## Plaatsen

### **⚠ WAARSCHUWING! BRANDGEVAAR!**

- ▶ Zet het apparaat nooit onder hangkasten of in de nabijheid van gordijnen, kastenwanden of andere licht ontvlambare voorwerpen.
- ▶ De afstand van het apparaat tot hangkasten, plafonds, zijwanden en dergelijke moet naar boven minstens 10 cm en aan de zijkanen minstens 5 cm bedragen. Het apparaat mag dus niet in bijv. een kast of iets dergelijks worden geplaatst. Anders is een voldoende ventilatie van het apparaat niet mogelijk en kan er brand ontstaan of kan het apparaat beschadigd raken.
- ▶ Plaats het apparaat uitsluitend op een hittebestendige ondergrond. Anders bestaat er brandgevaar en kan het apparaat beschadigd raken. Het gebied onder de bodem van het apparaat kan verkleuren en beschadigd raken. Bovendien kunnen bij een zachte ondergrond permanente afdrukken in de ondergrond ontstaan.

### **⚠ GEVAAR - ELEKTRISCHE SCHOK!**

- ▶ Plaats het apparaat niet in de onmiddellijke nabijheid van water, bijv. bij een gootsteen, een badkuip of in vochtige kelderruimtes. Anders bestaat er gevaar voor een stroomstok.
- Plaats het apparaat op een stevige, vlakke en hittebestendige ondergrond (bijv. op een werkblad van roestvrij staal of natuursteen zoals graniet). Zorg voor voldoende ventilatie rondom het apparaat.
- Schuif het apparaat tot de achterkant tegen de wand aan komt. De afstandhouders aan de achterkant moeten de wand raken. Zorg ervoor dat de wand uit hittebestendig materiaal bestaat, bijv. een tegelwand, natuursteen of graniet.
- Maak alle onderdelen schoon, zoals beschreven in het hoofdstuk "Reiniging en onderhoud".

## Gebruik van het apparaat

### Glazen deur

#### **LET OP! MATERIËLE SCHADE!**

- ▶ Leun niet op de glazen deur **6**. Plaats geen voorwerpen op de glazen deur **6**. Hierdoor raken de scharnieren beschadigd.
- Wanneer u voedsel met veel vet bereidt, kan er meer rookontwikkeling ontstaan. Sluit in dat geval de glazen deur **6** niet helemaal, maar laat deze op een kier openstaan: De glazen deur **6** heeft een vergrendelingsstand, zodat deze met een opening ter grootte van een kier open blijft staan: wanneer u de glazen deur **6** voorzichtig dichtdoet, blijft deze kort voor het sluiten in deze stand staan.
- Ook bij het drogen van fruit om gedroogd fruit te maken moet de glazen deur **6** in de vergrendelingsstand blijven staan, zodat het vocht kan ontsnappen en het fruit beter droogt.

### Kruimelplaat plaatsen

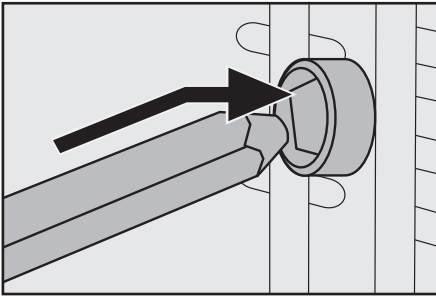
- Schuif de kruimelplaat **7** onder de onderste verwarmingselementen **8**, zodat deze plat op de bodem van het apparaat ligt. De verhoogde gebogen zijde kunt u als greep gebruiken.

## Draaispies gebruiken

### ⚠ WAARSCHUWING! LETSELGEVAAR!

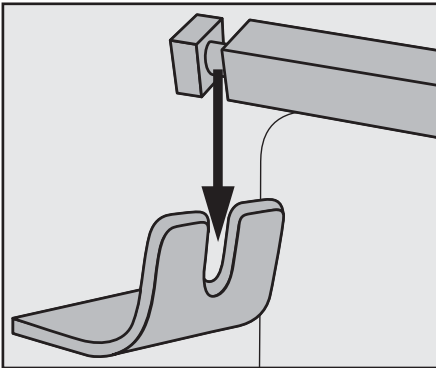
- Gebruik altijd de tang 12 om de hete draaispies 16 in het apparaat te plaatsen of uit het apparaat te nemen.

- Met de beide draaispiesklemmen 15 kunt u het te grillen product op de draaispies 16 vastzetten. Maak de vergrendelingen 14 op de draaispiesklemmen 15 los, verschuif deze zodanig dat het te grillen product ertussen wordt vastgeklemd en schroef de vergrendelingen 14 weer vast.
- Schuif eerst het uiteinde van de draaispies 16 zonder uitsparing in de aandrijving 1 (afb. 1):



Afb. 1: Draaispies 16 in de aandrijving 1 schuiven

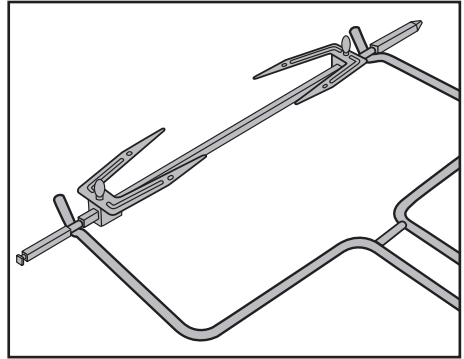
- Leg vervolgens het andere uiteinde van de draaispies 16 met de diepe uitsparing in de draaispieshouder 9 (afb. 2):



Afb. 2: Draaispies 16 in de draaispieshouder 9 leggen

### OPMERKING

- Schuif de bakplaat 11 altijd in de onderste geleiding wanneer u de draaispies 16 gebruikt. Zo wordt omlaag druipende vloeistof opgevangen.
- Om de hete draaispies 16 te verwijderen, grijpt u met de haak aan het uiteinde van de tang 12 in de verdiepingen op de draaispies 16 (afb. 3):



Afb. 3: Inhaken van de tang 12 onder de draaispies 16

- Til eerst de linkerkant van de draaispies 16 uit de draaispieshouder 9 en trek dan de draaispies 16 uit de aandrijving 1.

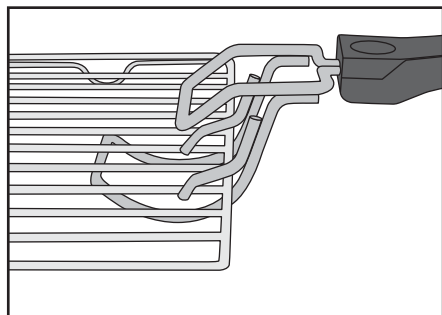
## Bakplaat/grillrooster gebruiken

### ⚠ WAARSCHUWING! LETSELGEVAAR!

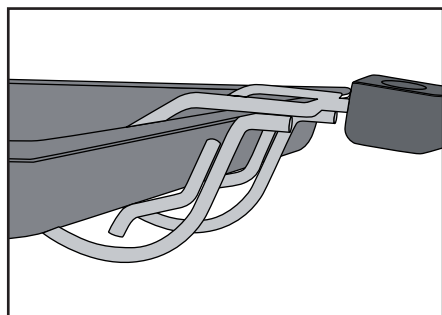
- ▶ Gebruik altijd de tang 10 om de hete bakplaat 11/het hete grillrooster 13 in het apparaat te plaatsen of uit het apparaat te nemen.
- Schuif de bakplaat 11/het grillrooster 13 in een van de 3 geleidingen in de gaarruimte van het apparaat.

### LET OP! MATERIËLE SCHADE!

- ▶ Leg de bakplaat 11/het grillrooster 13 nooit rechtstreeks op de verwarmingselementen 8.
- Om de hete bakplaat 11 of het grillrooster 13 te kunnen uitnemen, haakt u de tang 10 als volgt in:




Afb. 4: Inhaken van de tang 10 bij het grillrooster 13



Afb. 5: Inhaken van de tang 10 bij de bakplaat 11

## Vóór de ingebruikname

- 1) Steek de stekker in een stopcontact.
- 2) Draai de temperatuurregelaar 2 met de wijzers van de klok mee tot aan de aanslag naar de hoogste temperatuur.
- 3) Draai de functieschakelaar 3 naar "Boven- en onderwarmte" .
- 4) Open de glazen deur 6 en laat die voor deze procedure geopend.
- 5) Haal eventuele bevestigde accessoires uit de gaarruimte.
- 6) Draai de timer 4 naar 20 minuten.

### OPMERKING

- ▶ Bij de eerste keer opwarmen van het apparaat kunnen restanten van het productieproces lichte rook- en geurontwikkeling veroorzaken. Dat is normaal en volkomen ongevaarlijk. Zorg voor voldoende ventilatie, open bijvoorbeeld een raam.

Het apparaat wordt na 20 minuten automatisch uitgeschakeld.

Wanneer u het verwarmen voortijdig wilt onderbreken, draait u de temperatuurregelaar 2 tot aan de aanslag tegen de wijzers van de klok in en zet u de timer 4 op "OFF - 0".

- 7) Laat het apparaat afkoelen en reinig het apparaat zoals beschreven in het hoofdstuk "Reiniging en onderhoud".

Nu is het apparaat gereed voor gebruik.

## Bediening van het apparaat

### Functieschakelaar

Met de functieschakelaar ③ kunt u het apparaat inschakelen en 5 verschillende functies instellen:

Symbol	Betekenis
	"Onderwarmte" bijv. voor het bakken van taarten
	"Bovenwarmte" bijv. voor gratinieren
	"Boven- en onderwarmte" bijv. voor het bakken van pizza's
	"Bovenwarmte/ circulatielucht/draaispies" bijv. om gevleugelte te grillen
	"Boven- en onderwarmte/ circulatielucht" bijv. om broodjes af te bakken
OFF	"OFF": het apparaat is uitgeschakeld


### Temperatuurregelaar

Met de temperatuurregelaar ② kunt u de gewenste temperatuur instellen.

- Wanneer u de temperatuur instelt voor de functies "Bovenwarmte" , "Onderwarmte" , of "Boven- en onderwarmte" , gaat u uit van de met "1" gemarkeerde schaal.
- Wanneer u de temperatuur instelt voor de functies "Bovenwarmte/circulatielucht/draaispies" , of "Boven- en onderwarmte/circulatielucht" , gaat u uit van de met "∞" gemarkeerde schaal.

### Timer

Met de timer ④ kunt u de gaartijd instellen:

- Stel de timer ④ in op de gewenste gaartijd. Na afloop van de ingestelde tijd klinkt er een geluidssignaal en stopt het verwarmen. Als de functie "Bovenwarmte/circulatielucht/draaispies"  is gekozen, stopt ook het draaien van de draaispies ⑩.

### Grillen en bakken

- 1) Leg de kruimelplaat ⑦ in het apparaat.
- 2) Neem het grillrooster ⑬ en de bakplaat ⑪ uit het apparaat. Bedek deze desgewenst met bakpapier resp. bestrijk de bakplaat ⑪ met voor bakken geschikt vet.

### OPMERKING

- ▶ Afhankelijk van het gerecht moet de oven worden voorverwarmd. Volg de aanwijzingen in het betreffende recept op. Voorverwarmen is in elk geval zinvol bij:
  - zeer korte baktijden,
  - knapperige korsten,
  - kwetsbare gerechten die een constante temperatuur vereisen, zoals bijvoorbeeld soufflés.
- ▶ Wanneer voorverwarmen niet nodig is, kunt u stap 3 overslaan.

- 3) Laat het apparaat ca. 10 minuten (al naar gelang de temperatuurinstelling) op de gewenste temperatuur heet worden:
  - Kies de gewenste temperatuur met de temperatuurregelaar ②. Gebruik hierbij de juiste schaal (zie hoofdstuk "Temperatuurregelaar").
  - Kies daarna met de functieschakelaar ③ de gewenste functie.



## OPMERKING

- ▶ Wanneer u de functie met circulatielucht kiest, kunt u in de regel afzien van voorverwarming van de grill- en gaarruimte.
    - Stel met de timer **4** de voorverwarmingstijd in (ca. 10 minuten).
    - Sluit de glazen deur **6**.
- 4) Als de tijd verstreken is, legt u het grill- resp. bakgoed op het grillrooster **15** resp. op de bakplaat **11** en schuift u het in een van de geleidingen. Let daarbij op voldoende afstand tussen het grill- resp. bakgoed en de binnenwanden en verwarmingselementen van het apparaat.

## OPMERKING

- ▶ Als u sterk druppelende levensmiddelen op het grillrooster **15** klaarmaakt, schuif dan de bakplaat **11** in de onderste geleiding. Zodoende wordt bijv. omlaag druipend vet opgevangen en is het apparaat nadien gemakkelijker schoon te maken.
- 5) Sluit de glazen deur **6** voordat u het grillen/bakken start.
- 6) Stel met de timer **4** de gewenste grill- resp. baktijd in. De maximale grill- resp. baktijd bedraagt 120 minuten.

## OPMERKING

- ▶ Wanneer de garingstijd van uw grill- resp. bakgoed minder dan 20 minuten bedraagt, zet u de timer **4** eerst op 40 minuten en daarna terug op de gewenste grill- resp. baktijd.

Het indicatielampje **5** geeft aan dat het apparaat is ingeschakeld. De schakelaar van de timer **4** beweegt nu tegen de wijzers van de klok in naar "OFF - 0".

Het apparaat wordt na de ingestelde automatisch uitgeschakeld, er klinkt een geluidssignaal en het indicatielampje **5** dooft.

## OPMERKING


- Wanneer u het verwarmen voortijdig wilt onderbreken, draait u de temperatuurregelaar **2** tot aan de aanslag tegen de wijzers van de klok in en zet u de timer **4** op "OFF - 0".
- 7) Haal na het verwarmen het grillrooster **15** resp. de bakplaat **11** met de tang **10** uit het apparaat.
- 8) Zet de functieschakelaar **3** op "OFF".

## Grillen met draaispies

- 1) Leg de kruimelplaat **7** in het apparaat.
- 2) Als de draaispies **16** is bevestigd, neemt u deze uit het apparaat.
- 3) Schuif de bakplaat **11** in de onderste geleider.
- 4) Maak het te grillen product vast met de draaispiesklemmen **15**. Zorg ervoor dat het te grillen product vrij in de gaarruimte kan draaien, zonder ergens tegenaan te stoten. Het kan gebeuren dat de draairichting van de draaispies **16** omkeert wanneer het te grillen product ergens tegenaan stoot.  
De beide verdiepingen die zich op de draaispies **16** bevinden, moeten vrij toegankelijk blijven, anders kan de draaispies **16** niet met de tang **12** worden vastgepakt.
- 5) Bevestig de draaispies **16** in de gaarruimte (zie hoofdstuk "Draaispies gebruiken").
- 6) Sluit de glazen deur **6**.

## OPMERKING

Wanneer u het verwarmen voortijdig wilt onderbreken, draait u de temperatuurregelaar **2** tot aan de aanslag tegen de wijzers van de klok in en zet u de timer **4** op "OFF - 0".

- 7) Stel op de temperatuurregelaar **2** de gewenste temperatuur in.
- 8) Zet de functieschakelaar **3** op "Bovenwarmte/circulatielucht/draaispies" . Stel op de timer **4** de gewenste grilltijd in. Het apparaat start het grillproces en de draaispies **15** gaat draaien.

Het indicatielampje **5** geeft aan dat het apparaat is ingeschakeld. De schakelaar van de timer **4** beweegt nu tegen de wijzers van de klok in naar "OFF - 0".

Het apparaat wordt na de ingestelde automatisch uitgeschakeld, er klinkt een geluidssignaal en het indicatielampje **5** dooft.

## OPMERKING



Wanneer u het verwarmen voortijdig wilt onderbreken, draait u de temperatuurregelaar **2** tot aan de aanslag tegen de wijzers van de klok in en zet u de timer **4** op "OFF - 0".

- 9) Haal na het grillen de draaispies **15** met de tang **12** uit het apparaat.
- 10) Zet de functieschakelaar **3** op "OFF".

## VOORBEELD GRILLKIP

### Ingrediënten


- ◆ Grillkip (ca. 1,3 kg, ontdaan van ingewanden)
- ◆ Kruiden (zout, paprika)
- ◆ Spijsolie

- 1) Kruid de grillkip van binnen en buiten met zout en paprikapoeder. Bestrijk de kip van buiten met hittebestendige spijsolie.
- 2) Schuif de grillkip op de grillspies en maak hem vast met de draaispiesklemmen **15**. Let er daarbij op dat de verdiepingen op de draaispies **15** vrij blijven, zodat u de draaispies **15** met de tang **12** kunt vastpakken. Al naar gelang de vorm van de grillkip kan het nodig zijn om de vleugels en pootjes met vuurvast opbindtouw vast te binden, zodat deze tijdens het draaien nergens tegenaan stoten.
- 3) Schuif de bakplaat **11** in de onderste geleider.
- 4) Verwarm het apparaat ca. 10 minuten met de functie "Boven- en onderwarmte/circulatielucht"  op 210 °C voor.
- 5) Plaats de grillkip op de draaispies met de tang **12** in het apparaat.
- 6) Zet de functieschakelaar op "Bovenwarmte/circulatielucht/draaispies"  en sluit de deur.
- 7) Zet de timer **4** op ca. 80 minuten. De gaartijd kan variëren, al naar gelang de grootte en toestand van de grillkip.
- 8) Bestrijk de grillkip tussendoor af en toe met een beetje spijsolie. Zo wordt hij knapperig.
- 9) Wanneer de ingestelde tijd is verstreken, haalt u de grillspies met de grillkip voorzichtig met de tang **12** uit het apparaat. Maak de draaispiesklemmen **15** los en trek de grillkip van de draaispies **15**.

## Reiniging en onderhoud

### ⚠ GEVAAR - ELEKTRISCHE SCHOK!

- ▶ Haal voor het schoonmaken altijd eerst de stekker uit het stopcontact! Er bestaat gevaar voor een elektrische schok!

 Dompel het apparaat nooit onder in water of in andere vloeistoffen!

### ⚠ WAARSCHUWING! LETSELGEVAAR!

- ▶ Laat het apparaat na gebruik altijd afkoelen alvorens het te reinigen. Anders bestaat er gevaar voor brandwonden!
- U kunt het apparaat en de accessoires het beste meteen na het afkoelen reinigen. Dan laten resten van levensmiddelen zich gemakkelijker verwijderen.

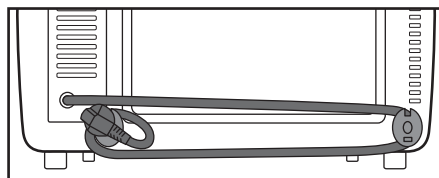
### LET OP! MATERIËLE SCHADE!

- ▶ Gebruik geen schurende of bijtende schoonmaakmiddelen. Deze kunnen de oppervlakken beschadigen!
- ▶ Maak de onderdelen van het apparaat niet schoon in de vaatwasser!
- ▶ Reinig de gaarruimte niet met een ovenspray, omdat resten op de verwarmingselementen dan niet meer kunnen worden verwijderd.

- Veeg het apparaat af met een vochtige doek. Zo nodig doet u wat mild afwasmiddel op de doek en veegt u alles na met een doek die is bevochtigd met schoon water. Droog alles goed af.
- Reinig de gaarruimte en de glazen deur **6** met een vochtige doek. Zo nodig doet u wat mild afwasmiddel op de doek en veegt u alles na met een doek die is bevochtigd met schoon water. Droog alles goed af.
- Reinig de tangen **10/12**, de draaispies **16**, de draaispiesklemmen **15**, de vergrendelingen **14**, de bakplaat **11**, het grillrooster **13** en de kruimelplaat **7** in warm afwaswater. Droog alle onderdelen na het reinigen goed af.

## Opbergen

- U kunt het netsnoer om de afstandhouders op de achterkant van het apparaat wikkelen en de stekker vastzetten in een van de afstandhouders:



- Berg het schoongemaakte apparaat en de accessoires op een schone, stofvrije en droge plaats op.

## Problemen oplossen

Probleem	Oorzaak	Oplossing
Het apparaat werkt niet.	De stekker zit niet in het stopcontact.	Steek de stekker in een stopcontact.
	Het stopcontact is defect.	Gebruik een ander stopcontact.
	Het apparaat is defect.	Neem contact op met de klantenservice.
Het indicatie-lampje ⑤ brandt maar het apparaat wordt niet heet.	De functieschakelaar ③ staat op OFF.	Draai de functieschakelaar ③ naar de gewenste functie.
De gaartijd van de etenswaren lijkt zeer lang.	De glazen deur ⑥ is vaak geopend om de voortgang van het gaarproces te controleren.	Open de glazen deur ⑥ niet vaker dan noodzakelijk.
	Er is een verkeerde temperatuur ingesteld.	Controleer de temperatuurinstellingen.
Tijdens het gebruik treedt er rook- en geurontwikkeling op.	Op de verwarmingselementen bevinden zich reinigings- of levensmiddelresten.	Haal de etenswaren uit het apparaat en ga verder met het gaarproces met geopende glazen deur ⑥, tot de rookontwikkeling is verdwenen.

Neem contact op met de klantenservice, als de storingen met de bovenstaande aanwijzingen niet verholpen kunnen worden, of indien u andere storingen constateert.

## Afvoeren



**Gooi het apparaat in geen geval weg bij het gewone huisvuil. Dit product voldoet aan de Europese richtlijn 2012/19/EU.**

Voer het apparaat af via een erkend afvalverwerkingsbedrijf of via uw gemeentereiniging. Neem de momenteel geldende voorschriften in acht. Neem bij twijfel contact op met de verantwoordelijke instantie.



De verpakking bestaat uit milieuvriendelijke materialen, die u via plaatselijke recyclepunten kunt afvoeren.

## Garantie van Kompernaß Handels GmbH

Geachte klant,

U hebt op dit apparaat 3 jaar garantie vanaf de aankoopdatum. In geval van gebreken in dit product hebt u wettelijke rechten tegenover de verkoper van het product. Deze wettelijke rechten worden door onze hierna beschreven garantie niet beperkt.

### Garantievoorwaarden

De garantieperiode geldt vanaf de datum van aankoop. Bewaar de originele kassabon. U hebt de bon nodig als bewijs van aankoop.

Als er binnen drie jaar vanaf de aankoopdatum van dit product een materiaal- of fabricagefout optreedt, wordt het product door ons – naar onze keuze – voor u kosteloos gerepareerd of vervangen. Voorwaarde voor deze garantie is dat binnen de termijn van drie jaar het defecte apparaat en het aankoopbewijs (kassabon) worden overlegd en dat kort wordt omschreven waaruit het gebrek bestaat en wanneer het is opgetreden.

Wanneer het defect door onze garantie wordt gedeckt, krijgt u het gerepareerde product of een nieuw product retour. Met de reparatie of vervanging van het product begint er geen nieuwe garantieperiode.

## Garantieperiode en wettelijke aanspraken bij gebreken

De garantieperiode wordt door deze waarborg niet verlengd. Dat geldt ook voor vervangen en gerepareerde onderdelen. Eventueel al bij aankoop aanwezige schade en gebreken moeten meteen na het uitpakken worden gemeld. Voor reparaties na afloop van de garantieperiode worden kosten in rekening gebracht.

### Garantieomvang

Het apparaat is op basis van strenge kwaliteitsnormen met de grootst mogelijke zorg vervaardigd en voorafgaand aan de levering nauwkeurig gecontroleerd.

De garantie geldt voor materiaal- of fabricagefouten. Deze garantie geldt niet voor productonderdelen die blootstaan aan normale slijtage en derhalve als aan slijtage onderhevige onderdelen kunnen worden aangemerkt, of voor beschadigingen aan breekbare onderdelen, bijv. schakelaars, accu's, bakvormen of onderdelen die van glas zijn gemaakt.

Deze garantie vervalt wanneer het product is beschadigd, ondeskundig is gebruikt of is gerepareerd. Voor deskundig gebruik van het product moeten alle in de gebruiksaanwijzing beschreven aanwijzingen precies worden opgevolgd. Gebruiksdoeleinden en handelingen die in de gebruiksaanwijzing worden afgeraden of waarvoor wordt gewaarschuwd, moeten beslist worden vermeden.

Het product is uitsluitend bestemd voor privégebruik en niet voor bedrijfsmatige doeleinden. Bij verkeerd gebruik en ondeskundige behandeling, bij gebruik van geweld en bij reparaties die niet door ons erkend servicefiliaal zijn uitgevoerd, vervalt de garantie.

## Afhandeling bij een garantiekwestie

Voor een snelle afhandeling van uw aanvraag neemt u de volgende aanwijzingen in acht:

- Houd voor alle aanvragen de kassabon en het artikelnummer (bijv. IAN 12345) als aankoopbewijs bij de hand.
- Het artikelnummer vindt u op het typeplaatje, in het product gegraveerd, op de titelpagina van de gebruiksaanwijzing (linksonder) of als sticker op de achter- of onderkant van het product.
- Als er fouten in de werking of andere gebreken optreden, neemt u eerst contact op met de hierna genoemde serviceafdeling, **telefonisch** of **via e-mail**.
- Een als defect geregistreerd product kunt u dan zonder portokosten naar het aan u doorgegeven serviceadres sturen. Voeg het aankoopbewijs (kassabon) bij en vermeld waaruit het gebrek bestaat en wanneer het is opgetreden.



Op [www.lidl-service.com](http://www.lidl-service.com) kunt u deze en vele andere handboeken, productvideo's en software downloaden.

## Service

### **NL** Service Nederland

Tel.: 0900 0400223 (0,10 EUR/Min.)

E-Mail: [kompernass@lidl.nl](mailto:kompernass@lidl.nl)

### **BE** Service België

Tel.: 070 270 171 (0,15 EUR/Min.)

E-Mail: [kompernass@lidl.be](mailto:kompernass@lidl.be)

IAN 274498

## Importeur

Let op: het volgende adres is geen serviceadres. Neem eerst contact op met het opgegeven serviceadres.

KOMPERNASS HANDELS GMBH

BURGSTRASSE 21

44867 BOCHUM

GERMANY

[www.kompernass.com](http://www.kompernass.com)

## Recepten

In dit hoofdstuk geven we een paar voorbeelden van de bereiding van etenswaren. Deze voorbeelden zijn suggesties. De bereidingstijd kan variëren.

Wij aanvaarden geen aansprakelijkheid voor de recepten. Alle gegevens m.b.t. ingrediënten en bereiding zijn richtwaarden. Vul deze receptsuggesties aan met uw persoonlijke bevindingen. Wij wensen u in ieder geval een geslaagde en lekkere maaltijd toe.

### OPMERKING

Neem de bereidingsaanwijzingen op de verpakking van de levensmiddelen in acht.

## Muffins

Ingrediënten voor vier personen:

- ◆ 1 kopje meel
- ◆ 1 theelepel bakpoeder
- ◆ 1 ei
- ◆ 1 eetlepel gesmolten boter
- ◆ 1 kopje melk
- ◆ 3 eetlepels suiker
- ◆ 1 snufje zout
- ◆ Voor verschillende varianten daarnaast noten, bananenpartjes of chocovlokken

Bereiding:

- 1) Meng in een schaal meel, bakpoeder, ei, melk, zout en suiker langzaam door elkaar.
- 2) Smelt de boter in een pan smelten roer deze door het deeg.
- 3) Naar smaak mengen met noten, chocovlokken of geprakte bananen.
- 4) Doe het bereide deeg in hiervoor bestemde muffinvormpjes en zet deze op de bakplaat ①.
- 5) Bak de muffins op 220 °C met boven- en onderwarme ca. 15 minuten op het onderste niveau.

## Hawaïtosti's

Ingrediënten voor 4 tosti's:

- ◆ 4 plakjes brood
- ◆ 1-2 eetlepels remoulade
- ◆ 120 g gekookte ham
- ◆ 1/2 blikje ananas
- ◆ 4 plakken kaas om te gratineren
- ◆ Curry

Bereiding:

- ◆ Rooster de plakjes brood.
- ◆ Bestrijk ze daarna dun met remoulade en beleg ze met de gekookte ham.
- ◆ Leg op elke belegde boterham een schijf ananas. Kruid het geheel met curry.
- ◆ Leg daarna op elke schijf ananas een plak kaas.
- ◆ Leg de hawaïtosti's op het grillrooster **15** en gratineer ze in de grill- en bakautomaat op het bovenste niveau bij ca. 200 °C, bovenwarmte ca. 8 minuten.

## Diepvriespizza bakken

Bereiding:

- ◆ Schuif het grillrooster **15** op de bovenste geleidingen van de grill- en bakruimte.
- ◆ Leg de diepvriespizza zonder verpakking op het grillrooster **15** op de bovenste geleidingen van de grill- en .
- ◆ Bak de pizza bij boven- en onderwarmte ca. 20 minuten.
- ◆ Houd u aan de aanwijzingen voor de temperatuur op de verpakking.

## Spritskoekjes

Ingrediënten:

- ◆ 125 g boter
- ◆ 125 g suiker
- ◆ 1 pakje vanillesuiker
- ◆ 1 snufje zout
- ◆ 1 ei
- ◆ 1 eiwitten
- ◆ 250 g meel (type 405)
- ◆ 1 theelepel bakpoeder
- ◆ Geraspte schil van een halve citroen

Bereiding:

- 1) Roer de boter schuimig.
- 2) Voeg suiker, vanillesuiker, citroenschil en eieren toe.
- 3) Meng meel, bakpoeder en zout en roer dit met een lepel door het deeg.
- 4) Laat het deeg ca. 10 minuten rusten.
- 5) Breng het deeg in de gewenste vorm, bijv. met behulp van een vleeswolf, uitsteekvormpjes of een spuitzak.
- 6) Leg de spritskoekjes op de met bakpapier beklede bakplaat **11**.
- 7) Bak de spritsen in de voorverwarmde oven bij 180 °C boven- en onderwarmte ca. 10-15 minuten op het bovenste niveau goudbruin.

### OPMERKING

De hoeveelheid deeg is voldoende voor meerdere bakplaten **11**.

**Broodjes**

Ingrediënten:

- ◆ 300 g meel (of volkorenmeel)
- ◆ 2 theelepels bakpoeder
- ◆ 200 g lijnzaad
- ◆ 1 ei
- ◆ 500 g kwark
- ◆ 1 theelepel zout
- ◆ Naar smaak karwijzaad, uien, spek ...

Bereiding:

- 1) Kneed alles goed door elkaar en maak er kleine broodjes van.
- 2) Leg de broodjes op de met bakpapier beklede bakplaat **11**.
- 3) Bak bij ca. 200° C bovenwarmte ongeveer 30 minuten op het bovenste niveau.

**OPMERKING**

De hoeveelheid deeg is voldoende voor meerdere bakplaten **11**.

**Meringues**

Ingrediënten:

- ◆ 1 eiwitten
- ◆ Zout
- ◆ 45 g suiker

Bereiding:

- 1) Doe het afgekoelde eiwit in een vetvrije roerkom. Er mag geen eigeel bijkomen, anders wordt het eierschuim niet stevig.
- 2) Klop het eiwit op een langzame stand, zodat er geen grote luchtballen in het eierschuim ontstaan.
- 3) Kruid het schuim met een snufje zout.
- 4) Voeg de helft van de suiker beetje bij beetje toe wanneer het eierschuim stevig begint te worden.
- 5) Klop het schuim daarna op de hoogste stand stijf.
- 6) Voeg de rest van de suiker toe. Daardoor krijgt het meringueschuim de benodigde stevigheid.
- 7) Doe het meringueschuim in een spuitzak met een grote stervormige spuitmond en spuit op korte afstand roosjes, tongen of andere vormen op de met bakpapier beklede bakplaat **11**.
- 8) De grill- en bakautomaat op ca. 100 °C circulatielucht voorverwarmen.
- 9) De meringues op het hoogste niveau bij ca. 100 °C circulatielucht ca. 2 uur laten bakken.



## Botercroutons

Ingrediënten:

- ◆ 2 plakjes witbrood
- ◆ 1 EL boter

Bereiding:

- 1) Snijd het witbrood in kleine blokjes.
- 2) Smelt de boter bij laag vuur in een pan en meng het witbrood erdoor.
- 3) Bedek de bakplaat **1** met bakpapier en verdeel de blokjes witbrood er gelijkmatig over.
- 4) Bak de blokjes witbrood bij ca. 170 °C bovenwarmte op het bovenste niveau, tot ze goudbruin zijn (ca. 15 - 20 minuten).

### OPMERKING

U kunt ook kruiden- of knoflookboter gebruiken in plaats van gewone boter. De baktijd is dan ca. 5 minuten korter.

## Gehaktbaguettes

Ingrediënten:

- ◆ 2 kleine baguettes
- ◆ 250 g gehakt (half-om-half)
- ◆ 2 tomaten
- ◆ 1 ui, gesnipperd
- ◆ 2 el tomatenpuree
- ◆ 40 g geraspte Parmezaanse kaas
- ◆ 4 plakken kaas
- ◆ Zout en peper

Bereiding:

- 1) Snijd de baguettes open en hol ze uit.
- 2) Meng het gehakt, de tomatenpuree, de ui, de Parmezaanse kaas, een beetje zout en een beetje peper door elkaar.
- 3) Maak van het gehaktmengsel 4 even grote, zo plat mogelijke schijven en leg die op de baguettehelften.
- 4) Snijd de tomaten in plakjes en verdeel ze over de baguettes.
- 5) Verdeel de kaas over de baguettes.
- 6) Leg de baguettes op de bakplaat **1** en bak ze bij ca. 230 °C in de voorverwarde oven met boven- en onderwarmte ca. 20 minuten op het onderste niveau.

### OPMERKING

U kunt het gehaktmengsel verder op smaak brengen met basilicum, chilipoeder of andere kruiden.

## Gegratineerde bloemkool

Ingrediënten:

- ◆ 1/2 bloemkool (ca. 250 g)
- ◆ 3 schijfjes citroen
- ◆ 1 EL boter
- ◆ 1 grote TL bloem
- ◆ 1 EL citroensap
- ◆ 1 EL geschaafde amandel
- ◆ 2 EL gratinkaas (geraspt)
- ◆ Zout, peper, nootmuskaat

Bereiding:

- 1) Snij de bloemkool in roosjes en was deze.
- 2) Kook de bloemkool met de citroenschijfjes in kokend water met zout 8-10 minuten, zodat de bloemkool beetgaar is. Vang bij het afgieten ca. 150 ml van het kookwater op.
- 3) Laat in een pan de boter smelten en bak de bloem al roerend ca. 1 minuut.
- 4) Voeg al roerend het kookwater van de bloemkool toe en laat het ca. 2 minuten koken. Als het bloemmengsel te dik wordt, voegt u beetje bij beetje nog wat water toe, tot er een romig mengsel ontstaat. Kruid het geheel met zout, peper en nootmuskaat.
- 5) Leg de bloemkool in een ovenschaal (ca. 14 cm doorsnede) en giet de saus er gelijkmatig overheen.
- 6) Strooi de kaas en de geschaafde amandel erover.
- 7) Zet de ovenschaal op de bakplaat ①.
- 8) Gratineer de ovenschotel bij ca. 200 °C in de voorverwarmede oven met boven- en onderwarmte ca. 20 minuten op het onderste niveau.

## Bladerdeegpakketjes met zalmvulling

Ingrediënten:

- ◆ 1 pakje bladerdeegvellen (ca. 8 stuks)
- ◆ 1 pakje zalm, gerookt, in plakken (ca. 200 g)
- ◆ 1 citroen
- ◆ 1 ui
- ◆ 1 pakje roomkaas (200 g)
- ◆ Verse dille
- ◆ Zout en peper
- ◆ 1 eidooier

Bereiding:

- 1) Haal de bladerdeegvellen los en laat ze eventueel ontdooien.
- 2) Meng de roomkaas met zout, peper en het sap van een citroen.
- 3) Snipper de ui.
- 4) Voeg de helft van de zalm en de ui toe aan het roomkaasmengsel en pureer alles grof met een staafmixer.
- 5) Snijd de rest van de zalm in dunne reepjes.
- 6) Voeg de zalm en de dille toe aan het mengsel en meng alles door elkaar.
- 7) Leg steeds een eetlepel van het mengsel op een bladerdeegvel en vouw het dicht.
- 8) Bestrijk het gevouwen pakketje met eigeel.
- 9) Leg de bladerdeegpakketjes op de bakplaat ①. Laat voldoende afstand tussen de pakketjes, omdat het bladerdeeg rijst.
- 10) Bak de bladerdeegpakketjes op het onderste niveau bij ca. 230 °C boven- en onderwarmte ca. 25-30 minuten. Het bladerdeeg moet een lichtbruine kleur krijgen.

### OPMERKING

De aangegeven hoeveelheid is voldoende voor meerdere bakplaten ①.



# Inhaltsverzeichnis

<b>Einleitung</b> .....	<b>82</b>
<b>Bestimmungsgemäßer Gebrauch</b> .....	<b>82</b>
<b>Lieferumfang</b> .....	<b>82</b>
<b>Gerätebeschreibung</b> .....	<b>82</b>
<b>Technische Daten</b> .....	<b>82</b>
<b>Sicherheitshinweise</b> .....	<b>83</b>
<b>Aufstellen</b> .....	<b>86</b>
<b>Benutzung des Gerätes</b> .....	<b>86</b>
Glastür .....	86
Krümblech einlegen .....	86
Drehspieß benutzen .....	87
Backblech/Gitterrost benutzen .....	88
<b>Vor dem ersten Gebrauch</b> .....	<b>88</b>
<b>Bedienen des Gerätes</b> .....	<b>89</b>
Funktionsschalter .....	89
Temperaturregler .....	89
Timer .....	89
<b>Grillen und Backen</b> .....	<b>89</b>
<b>Grillen mit Drehspieß</b> .....	<b>90</b>
<b>Reinigung und Pflege</b> .....	<b>92</b>
<b>Aufbewahrung</b> .....	<b>92</b>
<b>Fehlerbehebung</b> .....	<b>93</b>
<b>Entsorgung</b> .....	<b>94</b>
<b>Garantie der Kompernaß Handels GmbH</b> .....	<b>94</b>
Service .....	95
Importeur .....	95
<b>Rezepte</b> .....	<b>96</b>

## Einleitung

Herzlichen Glückwunsch zum Kauf Ihres neuen Gerätes.

Sie haben sich damit für ein hochwertiges Produkt entschieden. Die Bedienungsanleitung ist Bestandteil dieses Produkts. Sie enthält wichtige Hinweise für Sicherheit, Gebrauch und Entsorgung. Machen Sie sich vor der Benutzung des Produkts mit allen Bedien- und Sicherheitshinweisen vertraut. Benutzen Sie das Produkt nur wie beschrieben und für die angegebenen Einsatzbereiche. Händigen Sie alle Unterlagen bei Weitergabe des Produkts an Dritte mit aus.

## Bestimmungsgemäßer Gebrauch

Der Grill- und Backautomat dient ausschließlich dem Erhitzen, Garen und Grillen von Speisen.

Dieses Gerät ist ausschließlich für die Benutzung in privaten Haushalten bestimmt. Nutzen Sie es nicht gewerblich.

Jede andere Verwendung gilt als nicht bestimmungsgemäß und kann zu Sachschäden oder sogar zu Personenschäden führen.

## Lieferumfang

- ◆ Grill- und Backautomat
- ◆ 1 Backblech
- ◆ 1 Gitterrost
- ◆ 2 Zangen
- ◆ Drehspieß mit 2 Klemmen
- ◆ 1 Krümelblech
- ◆ Bedienungsanleitung

### HINWEIS

Kontrollieren Sie den Lieferumfang direkt nach dem Auspacken auf Vollständigkeit und Beschädigungen. Wenden Sie sich, wenn nötig, an den Service.

## Gerätebeschreibung

Abbildung A:

- 1 Antrieb
- 2 Temperaturregler
- 3 Funktionsschalter
- 4 Timer
- 5 Kontrollleuchte
- 6 Glastür
- 7 eingesetztes Krümelblech
- 8 untere Heizstäbe
- 9 Drehspießaufnahme

Abbildung B:

- 10 Zange (für Backblech und Gitterrost)
- 11 Backblech
- 12 Zange (für Drehspieß)
- 13 Gitterrost
- 14 Feststeller
- 15 Drehspießklemmen
- 16 Drehspieß

## Technische Daten


Nennspannung: 220 - 240 V ~,  
50/60 Hz

max. Leistungsaufnahme: 1500 W



Alle Teile dieses Gerätes, die mit Lebensmitteln in Berührung kommen, sind lebensmittelecht.

**Sicherheitshinweise****⚠ GEFAHR – ELEKTRISCHER SCHLAG!**

- ▶ Sie dürfen das Gerätegehäuse des Gerätes nicht öffnen oder reparieren. In diesem Falle ist die Sicherheit nicht gegeben und die Gewährleistung erlischt. Lassen Sie ein defektes Gerät nur vom Händler oder autorisiertem Fachpersonal reparieren.
  - ▶ Lassen Sie beschädigte Netzstecker oder Netzkabel sofort von autorisiertem Fachpersonal oder dem Kundenservice austauschen, um Gefährdungen zu vermeiden.
  - ▶ Lassen Sie keine Flüssigkeiten in das Gerätegehäuse gelangen. Sie dürfen das Gerät keiner Feuchtigkeit aussetzen und nicht im Freien benutzen. Darüber hinaus dürfen Sie keine mit Flüssigkeiten gefüllten Gegenstände, wie z. B. Vasen auf dem Gerät abstellen. Es besteht Brandgefahr und Gefahr eines elektrischen Schlags! Falls doch einmal Flüssigkeit in das Gerätegehäuse gelangt, ziehen Sie sofort den Netzstecker des Geräts aus der Netzsteckdose und lassen Sie es reparieren.
  - ▶ Fassen Sie Gerät, Netzkabel und -stecker nie mit nassen Händen an. Es besteht sonst die Gefahr eines elektrischen Schlags.
-  Tauchen Sie das Gerät niemals in Wasser oder andere Flüssigkeiten! Hier kann Lebensgefahr durch elektrischen Schlag entstehen, wenn im Betrieb Flüssigkeitsreste auf spannungsführende Teile gelangen.

## **WARNUNG – VERLETZUNGSGEFAHR!**

- ▶ Dieses Gerät kann von Kindern ab 8 Jahren sowie von Personen mit reduzierten physischen, sensorischen oder mentalen Fähigkeiten oder Mangel an Erfahrung und/oder Wissen benutzt werden, wenn sie beaufsichtigt oder bezüglich des sicheren Gebrauchs des Gerätes unterwiesen wurden und die daraus resultierenden Gefahren verstanden haben.
- ▶ Kinder dürfen nicht mit dem Gerät spielen.
- ▶ Reinigung und Benutzer-Wartung dürfen nicht durch Kinder durchgeführt werden, es sei denn, sie sind älter als 8 Jahre und beaufsichtigt.
- ▶ Kinder jünger als 8 Jahre sind von Gerät und Anschlussleitung fernzuhalten.
- ▶ Verlegen Sie das Netzkabel so, dass niemand darauf treten oder darüber stolpern kann.
- ▶ Berühren Sie niemals die Glastür oder das Gehäuse während der Benutzung, da diese sehr heiß werden. Verwenden Sie zum Öffnen der Glastür einen Topflappen o.ä., um Verbrennungen zu vermeiden!
- ▶ Berühren Sie niemals die Heizstäbe oder das Sichtfenster während des Betriebs oder bevor das Gerät abgekühlt ist. Fassen Sie während des Betriebs nicht in den Garraum. Warten Sie bis das Gerät abgekühlt ist. Sie könnten sich andernfalls verbrennen.
- ▶ Lassen Sie das Gerät nach dem Gebrauch erst abkühlen, bevor Sie es transportieren.
- ▶ Benutzen Sie immer Topfhandschuhe oder Topflappen, wenn Sie mit dem heißen Gerät hantieren!



Vorsicht! Heiße Oberfläche!

**ACHTUNG – SACHSCHADEN!**

- ▶ Benutzen Sie keine externe Zeitschaltuhr oder ein separates Fernwirkssystem, um das Gerät zu betreiben.
- ▶ Lassen Sie das Gerät während des Betriebes niemals unbeaufsichtigt.
- ▶ Stellen Sie sicher, dass das Gerät, das Netzkabel oder der Netzstecker nicht mit heißen Quellen, wie Kochplatten oder offenen Flammen, in Berührung kommen.
- ▶ Betreiben Sie das Gerät ausschließlich mit dem mitgelieferten Originalzubehör.
- ▶ Knicken oder quetschen Sie das Netzkabel nicht.
- ▶ Ziehen Sie das Netzkabel stets am Stecker aus der Steckdose, ziehen Sie nicht am Kabel selbst.
- ▶ Es dürfen sich während des Betriebs keine leicht brennbaren Materialien in unmittelbarer Umgebung des Grill- und Backautomaten befinden (z. B. Geschirrhandtuch, Topflappen etc.).
- ▶ Trocknen Sie niemals Textilien oder Gegenstände auf, über oder im Gerät. Es besteht Brandgefahr.



## Aufstellen

### **⚠️ WARNUNG! BRANDGEFAHR!**

- ▶ Stellen Sie das Gerät niemals unter Hängeschränke oder neben Gardinen, Schrankwänden oder anderen entzündlichen Gegenständen.
- ▶ Der Abstand des Gerätes zu Hängeschränken, Decken, seitlichen Wänden oder ähnlichem muss nach oben hin mindestens 10 cm und seitlich jeweils 5 cm betragen. Daher darf das Gerät z. B. nicht in Schränke o. ä. gestellt werden. Andernfalls ist keine ausreichende Belüftung des Gerätes möglich und es könnte einen Brand verursachen oder beschädigt werden.
- ▶ Stellen Sie das Gerät nur auf eine hitzebeständige Unterlage. Andernfalls besteht Brandgefahr und das Gerät kann beschädigt werden. Der Bereich unter dem Geräteboden kann sich verfärben und beschädigt werden. Darüber hinaus können bei einem weichen Untergrund dauerhafte Abdrücke in der Unterlage entstehen.

### **⚠️ GEFAHR - ELEKTRISCHER SCHLAG!**

- ▶ Stellen Sie das Gerät nicht in unmittelbarer Nähe von Wasser auf, z. B. an Spülbecken, Waschwannen oder in feuchten Kellerräumen. Andernfalls besteht die Gefahr eines Stromschlags.
- Stellen Sie das Gerät auf einem festen, ebenen und hitzebeständigen Untergrund (z. B. Edelstahlarbeitsplatten oder Natursteinarbeitsplatten wie Granit) auf. Sorgen Sie für ausreichende Belüftung rund um das Gerät.
- Schieben Sie das Gerät mit der Rückseite bis an die Wand. Die Abstandhalter an der Rückseite müssen die Wand berühren. Achten Sie darauf, dass die Wand aus hitzebeständigem Material besteht, z. B. ein Fliesenspiegel, Naturstein oder Granit.
- Reinigen Sie alle Teile wie im Kapitel „Reinigung und Pflege“ beschrieben.

## Benutzung des Gerätes

### Glastür

#### **ACHTUNG! SACHSCHADEN!**

- ▶ Stützen Sie sich nicht auf der Glastür **6** ab. Stellen Sie keine Gegenstände auf die Glastür **6**. Das führt zu Beschädigungen an den Scharnieren.
- Wenn Sie besonders fetthaltige Speisen zubereiten, kann es zu erhöhter Rauchentwicklung kommen. Schließen Sie in diesem Fall die Glastür **6** nicht ganz, sondern lassen Sie sie einen Spalt breit offen stehen:  
Die Glastür **6** hat eine Raststellung, so dass diese einen Spalt breit offen steht: Wenn Sie die Glastür **6** vorsichtig zuklappen, rastet diese kurz vor dem Schließen in dieser Stellung ein.
- Auch beim Trocknen von Obst, um Trockenobst herzustellen, sollte die Glastür **6** in der Raststellung stehen bleiben, damit die Feuchtigkeit entweichen kann und das Obst besser trocknet.

### Krümblech einlegen

- Schieben Sie das Krümblech **7** unter die unteren Heizstäbe **8**, so dass es flach auf dem Geräteboden aufliegt. Die hochgebogene Seite können Sie als Griff benutzen.

## Drehspieß benutzen

### ⚠️ WARNUNG! VERLETZUNGSGEFAHR!

► Benutzen Sie immer die Zange **12**, um den heißen Drehspieß **16** in das Gerät einzusetzen oder herauszunehmen.

- Mit den beiden Drehspießklemmen **15** können Sie das Grillgut am Drehspieß **16** fixieren. Lösen Sie die Feststeller **14** an den Drehspießklemmen **15**, verschieben Sie diese so, dass das Grillgut dazwischen fest geklemmt wird und schrauben Sie die Feststeller **14** wieder fest.
- Schieben Sie zuerst das Ende des Drehspießes **16** ohne Nut in den Antrieb **1** (Abb. 1):

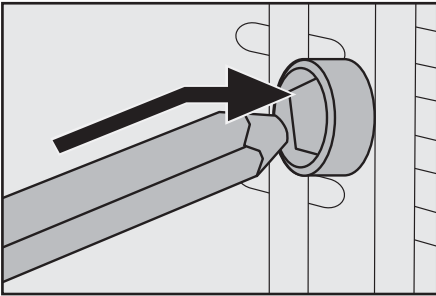


Abb. 1: Drehspieß **16** in den Antrieb **1** schieben.

- Legen Sie dann das andere Ende des Drehspießes **16** mit der tiefen Nut in die Drehspießaufnahme **9** (Abb. 2):

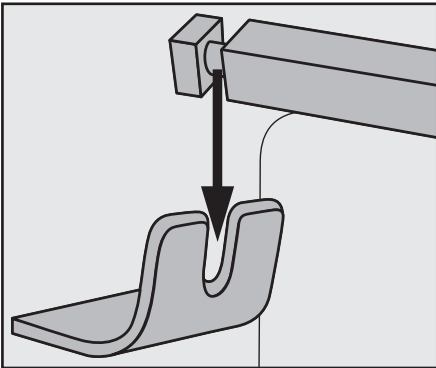


Abb. 2: Drehspieß **16** in die Drehspießaufnahme **9** legen

### HINWEIS

► Schieben Sie immer das Backblech **11** in die untere Schiene, wenn Sie den Drehspieß **16** verwenden. So werden herunterfallende Flüssigkeiten aufgefangen.

- Um den heißen Drehspieß **16** zu entnehmen greifen Sie mit den Haken am Ende der Zange **12** in die Vertiefungen am Drehspieß **16** (Abb. 3):

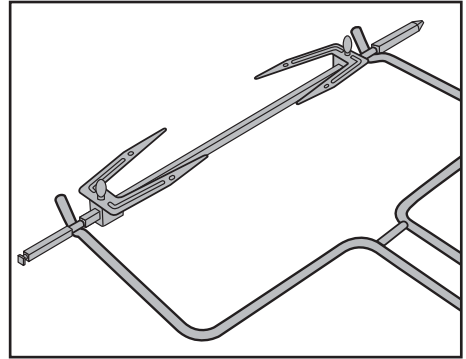


Abb. 3: Einhaken der Zange **12** beim Drehspieß **16**

- Heben Sie zuerst die linke Seite des Drehspießes **16** aus der Drehspießaufnahme **9** und ziehen Sie dann den Drehspieß **16** aus dem Antrieb **1**.

## Backblech/Gitterrost benutzen

### **⚠️ WARNUNG! VERLETZUNGSGEFAHR!**

- ▶ Benutzen Sie immer die Zange **10**, um das heiße Backblech **11**/den heißen Gitterrost **13** in das Gerät einzusetzen oder herauszunehmen.
- Schieben Sie das Backblech **11**/den Gitterrost **13** in eine der 3 Schienen im Garraum des Gerätes.

### **ACHTUNG! SACHSCHADEN!**

- ▶ Legen Sie das Backblech **11**/den Gitterrost **13** niemals direkt auf die Heizstäbe **8**.
- Um das heiße Backblech **11** oder den Gitterrost **13** entnehmen zu können, haken Sie die Zange **10** folgendermaßen ein:

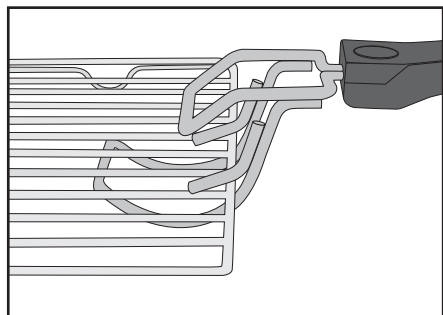


Abb. 4: Einhaken der Zange **10** beim Gitterrost **13**

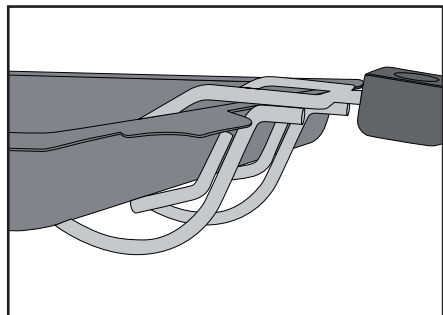



Abb. 5: Einhaken der Zange **10** beim Backblech **11**

## Vor dem ersten Gebrauch

- 1) Stecken Sie den Netzstecker in eine Netzsteckdose.
- 2) Drehen Sie den Temperaturregler **2** bis zum Anschlag im Uhrzeigersinn auf die höchste Temperatur.
- 3) Drehen Sie den Funktionsschalter **3** auf „Ober- und Unterhitze“ .
- 4) Öffnen Sie die Glastür **6** und lassen Sie diese für diesen Vorgang geöffnet.
- 5) Entnehmen Sie eventuell eingesetztes Zubehör aus dem Garraum.
- 6) Drehen Sie den Timer **4** auf 20 Minuten.

### **HINWEIS**

- ▶ Beim erstmaligen Aufheizen des Gerätes kann es durch fertigungsbedingte Rückstände zu leichter Rauch- und Geruchsentwicklung kommen. Das ist normal und völlig ungefährlich.

Sorgen Sie für ausreichende Belüftung, öffnen Sie zum Beispiel ein Fenster.

Das Gerät schaltet sich nach 20 Minuten automatisch aus.

Wenn Sie den Heizvorgang vorzeitig unterbrechen wollen, drehen Sie den Temperaturregler **2** bis zum Anschlag gegen den Uhrzeigersinn und stellen Sie den Timer **4** auf „OFF“.






- 7) Lassen Sie das Gerät abkühlen und reinigen Sie das Gerät wie im Kapitel „Reinigen und Pflegen“ beschrieben.

Das Gerät ist nun betriebsbereit.

## Bedienen des Gerätes







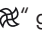
### Funktionsschalter

Am Funktionsschalter **3** können Sie das Gerät einschalten, sowie 5 verschiedene Funktionen einstellen:

Symbol	Bedeutung
	„Unterhitze“ z. B. zum Kuchenbacken
	„Oberhitze“ z. B. zum Überbacken
	„Ober- & Unterhitze“ z. B. zum Pizza backen
	„Oberhitze/Umluft/Drehspieß“ z. B. um Geflügel zu grillen
	„Ober- & Unterhitze/Umluft“ z. B. um Brötchen aufzubacken
OFF	„OFF“ das Gerät ist ausgeschaltet


### Temperaturregler

Am Temperaturregler **2** können Sie die gewünschte Temperatur einstellen.

- Wenn Sie die Temperatur für die Funktionen „Oberhitze“ , „Unterhitze“  oder „Ober- & Unterhitze“  einstellen, orientieren Sie sich an der mit „“ gekennzeichneten Skala.
- Wenn Sie die Temperatur für die Funktionen „Oberhitze/Umluft/Drehspieß“  oder „Ober- & Unterhitze/Umluft“  einstellen, orientieren Sie sich an der mit „“ gekennzeichneten Skala.

### Timer

Mit Hilfe des Timers **4** können Sie die Garzeit einstellen:

- Stellen Sie den Timer **4** auf die gewünschte Garzeit. Nach Beendigung der eingestellten Zeit erklingt ein Signalton und das Gerät stoppt das Heizen.  
Falls die Funktion „Oberhitze/Umluft/Drehspieß“  gewählt ist, stoppt auch das Drehen des Drehspießes **16**.

## Grillen und Backen

- 1) Legen Sie das Krümelblech **7** in das Gerät.
- 2) Nehmen Sie den Gitterrost **15** und das Backblech **11** aus dem Gerät. Legen Sie diese gegebenenfalls mit Backpapier aus bzw. bestreichen Sie das Backblech **11** mit zum Backen geeignetem Fett.

### HINWEIS

- ▶ Je nach Gericht, muss der Backofen vorgeheizt werden. Halten Sie sich an die Vorgaben im jeweiligen Rezept. Das Vorheizen ist auf jeden Fall sinnvoll bei:
    - sehr kurzen Backzeiten,
    - knusprigen Krusten,
    - empfindlichen Gerichten, die eine konstante Temperatur erfordern, wie zum Beispiel Soufflés.
  - ▶ Wenn kein Vorheizen nötig ist, überspringen Sie Handlungsschritt 3).
- 3) Lassen Sie das Gerät ca. 10 Minuten (je nach Temperatureinstellung) auf die gewünschte Temperatur aufheizen:
    - Wählen Sie die gewünschte Temperatur mit dem Temperaturregler **2**. Achten Sie darauf, die korrekte Skala zu benutzen (siehe Kapitel „Temperaturregler“.)
    - Anschließend wählen Sie mit dem Funktionsschalter **3** die gewünschte Funktion.

## HINWEIS

- ▶ Falls Sie die Funktion mit Umluft wählen, können Sie in der Regel auf ein Vorheizen des Grill- und Garraums verzichten.
  - Stellen Sie mit dem Timer **4** die Vorheizzeit ein (ca. 10 Minuten).
  - Schließen Sie die Glastür **6**.
- 4) Ist die Zeit abgelaufen, legen Sie das Grill- bzw. Backgut auf den Gitterrost **15** bzw. das Backblech **11** und schieben Sie es in eine der Schienen. Achten Sie dabei auf einen ausreichenden Abstand des Grill- bzw. Backguts zu den Innenwänden und den Heizstäben des Geräts.

## HINWEIS

- ▶ Wenn Sie stark tropfendes Grillgut auf dem Gitterrost **15** zubereiten, dann schieben Sie das Backblech **11** in die unterste Schiene. So wird z. B. herunter tropfendes Fett aufgefangen und das Gerät ist später leichter zu reinigen.
- 5) Schließen Sie die Glastür **6**, bevor Sie den Grill- Backvorgang starten.
- 6) Stellen Sie mit dem Timer **4** die gewünschte Grill- bzw. Backzeit ein. Die maximale Grill- bzw. Backzeit beträgt 120 Minuten.

## HINWEIS

- ▶ Wenn die Garzeit Ihres Grill- bzw. Backguts weniger als 20 Minuten beträgt, stellen Sie den Timer **4** zunächst auf 40 Minuten und dann zurück auf die gewünschte Grill- bzw. Backzeit.

Die Kontrollleuchte **5** zeigt an, dass das Gerät eingeschaltet ist. Der Schalter des Timers **4** bewegt sich nun gegen den Uhrzeigersinn auf „OFF“ zu.

Das Gerät schaltet sich nach der eingestellten Zeit automatisch aus, ein Signalton erklingt und die Kontrollleuchte **5** erlischt.

## HINWEIS


- Wenn Sie den Heizvorgang vorzeitig unterbrechen wollen, drehen Sie den Temperaturregler **2** bis zum Anschlag gegen den Uhrzeigersinn und stellen Sie den Timer **4** auf „OFF“.
- 7) Entnehmen Sie nach dem Heizvorgang den Gitterrost **15** bzw. das Backblech **11** mit Hilfe der Zange **10**.
- 8) Stellen Sie den Funktionsschalter **3** auf „OFF“.

## Grillen mit Drehspieß

- 1) Legen Sie das Krümelblech **7** in das Gerät.
- 2) Falls eingesetzt, nehmen Sie den Drehspieß **16** aus dem Gerät.
- 3) Schieben Sie das Backblech **11** in die unterste Schiene.
- 4) Fixieren Sie das Grillgut mit den Drehspießklemmen **15**. Achten Sie darauf, dass das Grillgut sich frei im Garraum drehen kann, ohne im Garraum anzustoßen. Es kann passieren, dass der Drehspieß **16** die Drehrichtung wechselt, wenn das Grillgut gegen einen Widerstand stößt. Die beiden Vertiefungen, die sich am Drehspieß **16** befinden, müssen frei zugänglich bleiben, ansonsten kann man den Drehspieß **16** nicht mit der Zange **12** greifen.
- 5) Befestigen Sie den Drehspieß **16** im Garraum (siehe Kapitel „Drehspieß benutzen“).
- 6) Schließen Sie die Glastür **6**.

## HINWEIS

Wenn Sie den Heizvorgang vorzeitig unterbrechen wollen, drehen Sie den Temperaturregler **2** bis zum Anschlag gegen den Uhrzeigersinn und stellen Sie den Timer **4** auf „OFF“.

- 7) Stellen Sie am Temperaturregler **2** die gewünschte Temperatur ein.
- 8) Stellen Sie den Funktionsschalter **3** auf „Oberhitze/Umluft/Drehspieß“ . Stellen Sie am Timer **4** die gewünschte Grillzeit ein. Das Gerät startet den Grillvorgang und der Drehspieß **16** dreht sich.

Die Kontrollleuchte **5** zeigt an, dass das Gerät eingeschaltet ist. Der Schalter des Timers **4** bewegt sich nun gegen den Uhrzeigersinn auf „OFF“ zu.

Das Gerät schaltet sich nach der eingestellten Zeit automatisch aus, ein Signalton erklingt und die Kontrollleuchte **5** erlischt.



## HINWEIS

Wenn Sie den Heizvorgang vorzeitig unterbrechen wollen, drehen Sie den Temperaturregler **2** bis zum Anschlag gegen den Uhrzeigersinn und stellen Sie den Timer **4** auf „OFF“.

- 9) Entnehmen Sie nach dem Grillvorgang den Drehspieß **16** mit Hilfe der Zange **12**.
- 10) Stellen Sie den Funktionsschalter **3** auf „OFF“.

## BEISPIEL GRILLHÄHNCHEN

### Zutaten

- ◆ Grillhähnchen (ca. 1,3 kg, ausgenommen)
  - ◆ Gewürze (Salz, Paprika)
  - ◆ Speiseöl
- 1) Würzen Sie das Grillhähnchen von innen und außen mit Salz und Paprikapulver. Streichen Sie es von außen mit hitzebeständigem Speiseöl ein.
  - 2) Schieben Sie das Grillhähnchen auf den Drehspieß **16** und fixieren Sie es mit den Drehspießklemmen **15**. Achten Sie dabei darauf, dass die Vertiefungen am Drehspieß **16** frei bleiben, damit Sie den Drehspieß **16** mit Hilfe der Zange **12** greifen können. Je nach Form des Grillhähnchens ist es nötig die Flügel und Schenkel mit einer feuerfesten Bindschnur zu fixieren, damit diese während des Drehens nicht anstoßen.
  - 3) Schieben Sie das Backblech **11** in die unterste Schiene.
  - 4) Heizen Sie das Gerät ca. 10 Minuten mit der Funktion „Ober- & Unterhitze/Umluft“  auf 210°C vor.
  - 5) Setzen Sie das Grillhähnchen auf dem Drehspieß mit Hilfe der Zange **12** in das Gerät ein.
  - 6) Stellen Sie den Funktionsschalter auf „Oberhitze/Umluft/Drehspieß“  und schließen Sie die Tür.
  - 7) Stellen Sie den Timer **4** auf ca. 80 Minuten. Die Garzeit kann je nach Größe und Beschaffenheit des Grillhähnchens variieren.
  - 8) Bestreichen Sie das Grillhähnchen zwischendurch immer wieder mit etwas Speiseöl. So wird es knusprig.
  - 9) Wenn die eingestellte Zeit abgelaufen ist, entnehmen Sie den Grillspieß mit dem Grillhähnchen vorsichtig mit der Zange **12**. Lösen Sie die Drehspießklemmen **15** und ziehen Sie das Grillhähnchen vom Drehspieß **16**.

## Reinigung und Pflege

### ⚠ GEFAHR - ELEKTRISCHER SCHLAG!

- ▶ Ziehen Sie vor jeder Reinigung den Netzstecker aus der Netzsteckdose! Es besteht die Gefahr eines elektrischen Schlages!

 Tauchen Sie das Gerät niemals in Wasser oder andere Flüssigkeiten!

### ⚠ WARNUNG! VERLETZUNGSGEFAHR!

- ▶ Lassen Sie das Gerät immer erst abkühlen, bevor Sie es reinigen. Es besteht sonst Verbrennungsgefahr!

- Reinigen Sie das Gerät und die Zubehörteile am besten sofort nach dem Abkühlen. Dann lassen sich Lebensmittelreste leichter entfernen.

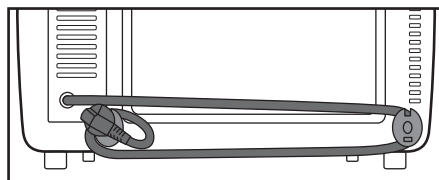
### ⚠ ACHTUNG! SACHSCHADEN!

- ▶ Verwenden Sie keine scheuernden oder aggressiven Reinigungsmittel. Diese können die Oberfläche beschädigen!
- ▶ Reinigen Sie die Teile des Gerätes nicht in der Spülmaschine!
- ▶ Reinigen Sie den Garraum nicht mit einem Backofenspray, da sich Rückstände auf den Heizstäben nicht mehr entfernen lassen.

- Wischen Sie das Gerät mit einem feuchten Tuch ab. Bei Bedarf geben Sie ein mildes Spülmittel auf das Tuch und wischen Sie mit einem mit klarem Wasser befeuchteten Tuch nach. Trocknen Sie alles gut ab.
- Reinigen Sie den Garraum und die Glastür **6** mit einem feuchten Tuch. Bei Bedarf geben Sie ein mildes Spülmittel auf das Tuch und wischen Sie mit einem mit klarem Wasser befeuchteten Tuch nach. Trocknen Sie alles gut ab.
- Reinigen Sie die Zangen **10/12**, den Drehspieß **16**, die Drehspießklemmen **15**, die Feststeller **14**, das Backblech **11**, den Gitterrost **13** und das Krümelblech **7** in warmem Spülwasser. Trocknen Sie alle Teile nach der Reinigung gut ab.

## Aufbewahrung

- Sie können das Netzkabel um die Abstandhalter auf der Rückseite des Gerätes wickeln und den Stecker an einem der Abstandhalter fixieren:



- Bewahren Sie das gereinigte Gerät und seine Zubehörteile an einem sauberen, staubfreien und trockenen Ort auf.

## Fehlerbehebung

Fehler	Ursache	Lösung
Das Gerät funktioniert nicht.	Der Netzstecker ist nicht mit dem Stromnetz verbunden.	Stecken Sie den Netzstecker in eine Netzsteckdose.
	Die Netzsteckdose ist defekt.	Benutzen Sie eine andere Netzsteckdose.
	Das Gerät ist defekt.	Wenden Sie sich an den Service.
Die Kontrollleuchte <b>5</b> leuchtet, aber das Gerät heizt nicht.	Der Funktionsschalter <b>3</b> steht auf OFF.	Drehen Sie den Funktionsschalter <b>3</b> auf die gewünschte Funktion.
Die Garzeit der Speisen erscheint sehr lang.	Die Glastür <b>6</b> wurde sehr oft geöffnet, um den Garfortschritt zu kontrollieren.	Öffnen Sie die Glastür <b>6</b> nicht öfter, als unbedingt notwendig.
	Es ist eine falsche Temperatur eingestellt.	Überprüfen Sie die Temperatureinstellungen.
Während der Benutzung tritt Rauch- und Geruchsentwicklung auf.	An den Heizstäben befinden sich Reinigungs- oder Lebensmittelrückstände.	Entnehmen Sie die Speisen aus dem Gerät und führen Sie den Garvorgang mit geöffneter Glastür <b>6</b> fort, bis die Rauchentwicklung verschwunden ist.

Sollten sich die Störungen nicht mit oben stehenden Fehlerbehebungen beheben lassen, oder wenn Sie andere Arten von Störungen feststellen, wenden Sie sich bitte an unseren Service.



## Entsorgung



**Werfen Sie das Gerät keinesfalls in den normalen Hausmüll. Dieses Produkt unterliegt der europäischen Richtlinie 2012/19/EU.**

Entsorgen Sie das Gerät über einen zugelassenen Entsorgungsbetrieb oder über Ihre kommunale Entsorgungseinrichtung. Beachten Sie die aktuell geltenden Vorschriften. Setzen Sie sich im Zweifelsfall mit Ihrer Entsorgungseinrichtung in Verbindung.



Die Verpackung besteht aus umweltfreundlichen Materialien, die Sie über die örtlichen Recyclingstellen entsorgen können.

## Garantie der Kompernaß Handels GmbH

Sehr geehrte Kundin, sehr geehrter Kunde,

Sie erhalten auf dieses Gerät 3 Jahre Garantie ab Kaufdatum. Im Falle von Mängeln dieses Produkts stehen Ihnen gegen den Verkäufer des Produkts gesetzliche Rechte zu. Diese gesetzlichen Rechte werden durch unsere im Folgenden dargestellte Garantie nicht eingeschränkt.

### Garantiebedingungen

Die Garantiefrist beginnt mit dem Kaufdatum. Bitte bewahren Sie den Original Kassenbon gut auf. Diese Unterlage wird als Nachweis für den Kauf benötigt.

Tritt innerhalb von drei Jahren ab dem Kaufdatum dieses Produkts ein Material- oder Fabrikationsfehler auf, wird das Produkt von uns – nach unserer Wahl – für Sie kostenlos repariert oder ersetzt. Diese Garantieleistung setzt voraus, dass innerhalb der Drei-Jahres-Frist das defekte Gerät und der Kaufbeleg (Kassenbon) vorgelegt und schriftlich kurz beschrieben wird, worin der Mangel besteht und wann er aufgetreten ist.

Wenn der Defekt von unserer Garantie gedeckt ist, erhalten Sie das reparierte oder ein neues Produkt zurück. Mit Reparatur oder Austausch des Produkts beginnt kein neuer Garantiezeitraum.

## Garantiezeit und gesetzliche Mängelansprüche

Die Garantiezeit wird durch die Gewährleistung nicht verlängert. Dies gilt auch für ersetzte und reparierte Teile. Eventuell schon beim Kauf vorhandene Schäden und Mängel müssen sofort nach dem Auspacken gemeldet werden. Nach Ablauf der Garantiezeit anfallende Reparaturen sind kostenpflichtig.

### Garantieumfang

Das Gerät wurde nach strengen Qualitätsrichtlinien sorgfältig produziert und vor Auslieferung gewissenhaft geprüft.

Die Garantieleistung gilt für Material- oder Fabrikationsfehler. Diese Garantie erstreckt sich nicht auf Produktteile, die normaler Abnutzung ausgesetzt sind und daher als Verschleißteile angesehen werden können oder für Beschädigungen an zerbrechlichen Teilen, z. B. Schalter, Akkus, Backformen oder Teile die aus Glas gefertigt sind.

Diese Garantie verfällt, wenn das Produkt beschädigt, nicht sachgemäß benutzt oder gewartet wurde. Für eine sachgemäße Benutzung des Produkts sind alle in der Bedienungsanleitung aufgeführten Anweisungen genau einzuhalten. Verwendungszwecke und Handlungen, von denen in der Bedienungsanleitung abgeraten oder vor denen gewarnt wird, sind unbedingt zu vermeiden.

Das Produkt ist nur für den privaten und nicht für den gewerblichen Gebrauch bestimmt. Bei missbräuchlicher und unsachgemäßer Behandlung, Gewaltanwendung und bei Eingriffen, die nicht von unserer autorisierten Service-Niederlassung vorgenommen wurden, erlischt die Garantie.

## Abwicklung im Garantiefall

Um eine schnelle Bearbeitung ihres Anliegens zu gewährleisten, folgen Sie bitte den folgenden Hinweisen:

- Bitte halten Sie für alle Anfragen den Kassenbon und die Artikelnummer (z. B. IAN 12345) als Nachweis für den Kauf bereit.
- Die Artikelnummer entnehmen Sie bitte dem Typenschild, einer Gravur, auf dem Titelblatt ihrer Anleitung (unten links) oder als Aufkleber auf der Rück- oder Unterseite.
- Sollten Funktionsfehler oder sonstige Mängel auftreten kontaktieren Sie zunächst die nachfolgend benannte Serviceabteilung **telefonisch** oder per **E-Mail**.
- Ein als defekt erfasstes Produkt können Sie dann unter Beifügung des Kaufbelegs (Kassenbon) und der Angabe, worin der Mangel besteht und wann er aufgetreten ist, für Sie portofrei an die Ihnen mitgeteilte Service Anschrift übersenden.



Auf [www.lidl-service.com](http://www.lidl-service.com) können Sie diese und viele weitere Handbücher, Produktvideos und Software herunterladen.

## Service

### DE Service Deutschland

Tel.: 0800 5435 111 (Kostenfrei aus dem dt. Festnetz/Mobilfunknetz)  
E-Mail: [kompernass@lidl.de](mailto:kompernass@lidl.de)

### AT Service Österreich

Tel.: 0820 201 222 (0,15 EUR/Min.)  
E-Mail: [kompernass@lidl.at](mailto:kompernass@lidl.at)

### CH Service Schweiz

Tel.: 0842 665566 (0,08 CHF/Min., Mobilfunk max. 0,40 CHF/Min.)  
E-Mail: [kompernass@lidl.ch](mailto:kompernass@lidl.ch)

IAN 274498

## Importeur

Bitte beachten Sie, dass die folgende Anschrift keine Serviceanschrift ist. Kontaktieren Sie zunächst die benannte Servicestelle.

KOMPERNASS HANDELS GMBH  
BURGSTRASSE 21  
44867 BOCHUM  
GERMANY  
[www.kompernass.com](http://www.kompernass.com)

## Rezepte

In diesem Kapitel geben wir Ihnen einige Beispiele für die Zubereitung von Speisen. Diese Beispiele sind Empfehlungen. Die Zubereitungsdauer kann variieren.

Rezepte ohne Gewähr. Alle Zutaten- und Zubereitungsangaben sind Anhaltswerte. Ergänzen Sie diese Rezeptvorschläge um Ihre persönlichen Erfahrungswerte. Wir wünschen Ihnen auf jeden Fall gutes Gelingen und guten Appetit.

### HINWEIS

Beachten Sie Zubereitungshinweise auf der Verpackung der Lebensmittel.

### Muffins

Zutaten für vier Personen:

- ◆ 1 Tasse Mehl
- ◆ 1 Teelöffel Backpulver
- ◆ 1 Ei
- ◆ 1 Esslöffel geschmolzene Butter
- ◆ 1 Tasse Milch
- ◆ 3 Esslöffel Zucker
- ◆ 1 Prise Salz
- ◆ für verschiedene Varianten zusätzlich Nüsse, zerkleinerte Bananen oder Schokoflocken

Zubereitung:

- 1) Vermischen Sie in einer Schale Mehl, Backpulver, Ei, Milch, Salz und Zucker langsam nacheinander.
- 2) Die Butter in einem Topf schmelzen und mit dem Teig verrühren.
- 3) Je nach Geschmack mit Nüssen, Schokoflocken oder zerdrückten Bananen mischen.
- 4) Den fertigen Teig in typische Muffin-Formen geben und diese auf das Backblech ① stellen.
- 5) Die Muffins bei 220° C mit Ober- und Unterhitze etwa 15 Minuten auf der unteren Schiene backen.

### Hawaiitoast

Zutaten für 4 Toasts:

- ◆ 4 Scheiben Toast
- ◆ 1–2 Esslöffel Remoulade
- ◆ 120 g gekochter Schinken
- ◆ 1/2 Dose Ananas
- ◆ 4 Scheiben Käse zum Überbacken
- ◆ Curry

Zubereitung:

- ◆ Die Toastscheiben vortoasten.
- ◆ Anschließend dünn mit Remoulade bestreichen und mit dem gekochten Schinken belegen.
- ◆ Jeweils eine Scheibe Ananas auf den belegten Toast legen. Mit Curry würzen.
- ◆ Danach jeweils eine Scheibe Käse oben auf die Ananas legen.
- ◆ Die Hawaiitoasts auf den Gitterrost ⑬ legen und im Grill- und Backautomaten auf der oberen Schiene bei ca. 200 °C, Oberhitze ca. 8 Minuten überbacken.

### Tiefgefrorene Pizza backen

Zubereitung:

- ◆ Schieben Sie den Gitterrost ⑬ in die obere Schiene des Grill- und Backraums.
- ◆ Legen Sie die tiefgefrorene Pizza ohne Verpackung auf den Gitterrost ⑬.
- ◆ Backen Sie die Pizza bei Ober- und Unterhitze ca. 20 Minuten.
- ◆ Bitte beachten Sie die Verpackungsangaben bezüglich der Temperatur.

## Spritzgebäck

Zutaten:

- ◆ 125 g Butter
- ◆ 125 g Zucker
- ◆ 1 Päckchen Vanillinzucker
- ◆ 1 Prise Salz
- ◆ 1 Ei
- ◆ 1 Eiweiß
- ◆ 250 g Mehl (Type 405)
- ◆ 1 Teelöffel Backpulver
- ◆ abgeriebene Schale einer halben Zitrone

Zubereitung:

- 1) Die Butter schaumig schlagen.
- 2) Den Zucker, den Vanillinzucker, die Zitronenschale und die Eier dazugeben.
- 3) Das Mehl, das Backpulver und das Salz mischen und mit einem Rührlöffel unter den Teig rühren.
- 4) Teig ca. 10 Minuten ruhen lassen.
- 5) Den Teig in die gewünschte Form, z. B. mit Hilfe von Fleischwolf, Ausstechformen oder Spritzbeutel, bringen.
- 6) Das Spritzgebäck auf das mit Backpapier ausgelegte Backblech **11** legen.
- 7) Das Spritzgebäck im vorgeheizten Backofen bei ca. 180°C Ober- und Unterhitze, ca. 10–15 Minuten auf der oberen Schiene, goldgelb backen.

### HINWEIS

Die Teigmenge reicht für mehrere Backbleche **11**.

## Brötchen

Zutaten:

- ◆ 300 g Mehl (oder Vollkornmehl)
- ◆ gut 2 Teelöffel Backpulver
- ◆ 200 g Leinsamen
- ◆ 1 Ei
- ◆ 500 g Quark
- ◆ 1 Teelöffel Salz
- ◆ je nach Geschmack Kümmel, Zwiebeln, Speck  
...

Zubereitung:

- 1) Alles gut durchkneten und kleine Brötchen daraus formen.
- 2) Die Brötchen auf das mit Backpapier ausgelegte Backblech **11** legen.
- 3) Bei ca. 200° C Oberhitze ungefähr 30 Minuten auf der oberen Schiene backen.

### HINWEIS

Die Teigmenge reicht für mehrere Backbleche **11**.

## Baiser

Zutaten:

- ◆ 1 Eiweiß
- ◆ Salz
- ◆ 45 g Zucker

Zubereitung:

- 1) Das gekühlte Eiweiß in eine fettfreie Rührschüssel geben. Es darf kein Eigelb damit vermischt werden, sonst wird der Eischnee nicht fest.
- 2) Das Eiweiß auf langsamer Stufe anschlagen, damit sich keine zu großen Blasen im Eischnee bilden.
- 3) Mit einer kleinen Prise Salz würzen.
- 4) Die Hälfte des Zuckers nach und nach zufügen, wenn der Eischnee anfängt fest zu werden.
- 5) Dann auf höchster Stufe steif schlagen.
- 6) Den restlichen Zucker zufügen. Dadurch erhält die Baisermasse die nötige Festigkeit.
- 7) Das Baiser in einen Spritzbeutel mit großer Sternentülle füllen und mit wenig Abstand Rosetten, Zungen oder sonstige Formen auf das mit Backpapier belegte Backblech **11** spritzen.
- 8) Den Grill- und Backautomaten auf ca. 100° C Umluft vorheizen.
- 9) Das Baiser auf der oberen Schiene bei ca. 100° C Umluft ca. 2 Stunden backen lassen.

## Buttercroutons

Zutaten:

- ◆ 2 Scheiben Toastbrot
- ◆ 1 EL Butter

Zubereitung:

- 1) Schneiden Sie das Toastbrot in kleine Würfel.
- 2) Schmelzen Sie die Butter bei sanfter Hitze in einem Topf und mischen Sie das Toastbrot unter.
- 3) Legen Sie ein Backblech **11** mit Backpapier aus und verteilen Sie die Toastbrot-Würfel gleichmäßig darauf.
- 4) Backen Sie die Toastbrot-Würfel bei ca. 170° C Oberhitze auf der oberen Schiene, bis Sie goldbraun sind (ca. 15 - 20 Minuten).

### HINWEIS

Sie können auch Kräuter- oder Knoblauchbutter anstatt der normalen Butter verwenden. Die Backzeit verringert sich dann um ca. 5 Minuten.

## Hackfleisch-Baguettes

Zutaten:

- ◆ 2 Baguette-Brötchen
- ◆ 250 g Hackfleisch (halb und halb)
- ◆ 2 Tomaten
- ◆ 1 Zwiebel (gewürfelt)
- ◆ 2 EL Tomatenmark
- ◆ 40 g geriebenen Parmesan
- ◆ 4 Scheiben Käse
- ◆ Salz und Pfeffer

Zubereitung:

- 1) Schneiden Sie die Baguettes auf und höhlen Sie sie aus.
- 2) Vermengen Sie das Gehackte, das Tomatenmark, die Zwiebel, den Parmesan, etwas Salz und etwas Pfeffer.
- 3) Formen Sie das Hackfleisch zu 4 gleich großen, möglichst flachen, Frikadellen und legen Sie sie auf die Baguette-Hälften.
- 4) Schneiden Sie die Tomate in Scheiben und verteilen Sie sie auf den Baguettes.
- 5) Verteilen Sie den Käse auf den Baguettes.
- 6) Legen Sie die Baguettes auf ein Backblech **11** und backen Sie sie bei ca. 230°C im vorgeheizten Backofen bei Ober- und Unterhitze für ca. 20 Minuten auf der unteren Schiene.

### HINWEIS

Sie können das Hackfleisch auch mit Basilikum, Chili oder anderen Gewürzen abschmecken.

## Blumenkohl (überbacken)

Zutaten:

- ◆ 1/2 Kopf Blumenkohl (ca. 250 g)
- ◆ 3 Zitronenscheiben
- ◆ 1 EL Butter
- ◆ 1 gehäufter TL Mehl
- ◆ 1 EL Zitronensaft
- ◆ 1 EL Mandelstifte
- ◆ 2 EL Gratinkäse (gerieben)
- ◆ Salz, Pfeffer, Muskat

Zubereitung:

- 1) Teilen Sie den Blumenkohl in Röschen und waschen Sie diese.
- 2) Garen Sie den Blumenkohl mit den Zitronenscheiben in kochendem Salzwasser für 8-10 Minuten, so dass der Blumenkohl bissfest ist. Fangen Sie beim Abgießen ca. 150 ml des Kochwassers auf.
- 3) Lassen Sie in einem Topf die Butter schmelzen und schwitzen Sie das Mehl unter ständigem Rühren ca. 1 Minute an.
- 4) Gießen Sie unter ständigem Rühren das Kochwasser des Blumenkohls hinzu und lassen Sie es ca. 2 Minuten kochen. Wird die Mehlschwitze zu fest, geben Sie nach und nach noch etwas Wasser hinzu, bis eine sämige Konsistenz entsteht. Mit Zitronensaft, Salz, Pfeffer und Muskat würzen.
- 5) Geben Sie den Blumenkohl in eine Auflaufform (ca. 14 cm Durchmesser) und gießen Sie die Sauce gleichmäßig darüber.
- 6) Streuen Sie den Käse und die Mandelstifte darüber.
- 7) Stellen Sie die Auflaufform auf das Backblech **11**.
- 8) Überbacken Sie den Auflauf bei ca. 200°C im vorgeheizten Backofen bei Ober- und Unterhitze für ca. 20 Minuten auf der unteren Schiene.

## Blätterteigtaschen mit Lachsfüllung

Zutaten:

- ◆ 1 Pck. Blätterteigplatten (ca. 8 Stück)
- ◆ 1 Pck. Lachs, geräuchert, in Scheiben (ca. 200 g)
- ◆ 1 Zitrone
- ◆ 1 Zwiebel
- ◆ 1 Pck. Frischkäse (200 g)
- ◆ frischer Dill
- ◆ Salz und Pfeffer
- ◆ 1 Eigelb

Zubereitung:

- 1) Nehmen Sie die Blätterteigplatten auseinander und lassen Sie sie gegebenenfalls auftauen.
- 2) Vermischen Sie den Frischkäse mit Salz, Pfeffer und dem Saft einer Zitrone.
- 3) Schneiden Sie die Zwiebel in feine Würfel.
- 4) Geben Sie die Hälfte des Lachses und die Zwiebeln zu der Frischkäsemasse und pürieren Sie alles grob mit einem Stabmixer.
- 5) Schneiden Sie den restlichen Lachs in feine Streifen.
- 6) Geben Sie den Lachs und den Dill zu der Masse hinzu und vermischen Sie alles.
- 7) Geben Sie je einen Esslöffel mit der Masse auf eine Blätterteigplatte und klappen Sie diese zusammen.
- 8) Bestreichen Sie die entstandene Tasche mit Eigelb.
- 9) Legen Sie die Blätterteigtaschen auf das Backblech **11**. Lassen Sie genügend Abstand zwischen den einzelnen Taschen, da der Blätterteig aufgeht.
- 10) Die Blätterteigtaschen auf der unteren Schiene bei ca. 230° C Ober- und Unterhitze ca. 25-30 Minuten backen lassen. Der Blätterteig sollte sich leicht braun färben.

### HINWEIS

Die angegebene Menge reicht für mehrere Backbleche **11**.

**KOMPERNASS HANDELS GMBH**

BURGSTRASSE 21

44867 BOCHUM

DEUTSCHLAND / GERMANY

[www.kompernass.com](http://www.kompernass.com)

Last Information Update · Tilstand af information · Version des informations

Stand van de informatie · Stand der Informationen:

06 / 2016 · Ident.-No.: SGBR1500B3-042016-1

---

IAN 274498