



www.lidl-service.com



PLUNGE SAW PTS 500 A1

GB IE

PLUNGE SAW

Translation of the original instructions

FR BE

SCIE CIRCULAIRE

Traduction des instructions d'origine

DE AT CH

TAUCHSÄGE

Originalbetriebsanleitung

DK

DYKSAV

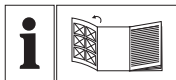
Oversættelse af den originale driftsvejledning

NL BE

PRECISIE CIRKELZAAG

Vertaling van de originele gebruiksaanwijzing

IAN 273278



GB IE

Before reading, unfold the page containing the illustrations and familiarise yourself with all functions of the device.

DK

Før du læser, vend siden med billeder frem og bliv bekendt med alle apparatets funktioner.

FR BE

Avant de lire le mode d'emploi, ouvrez la page contenant les illustrations et familiarisez-vous ensuite avec toutes les fonctions de l'appareil.

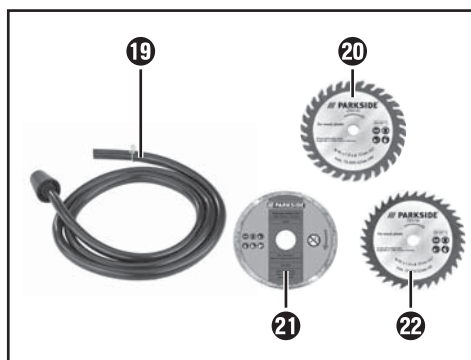
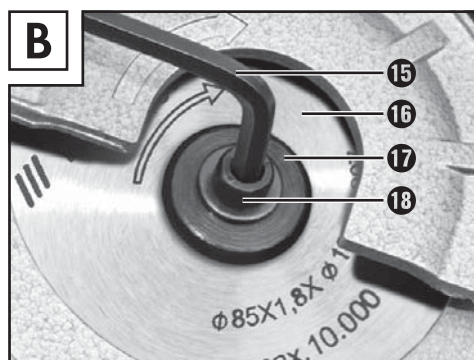
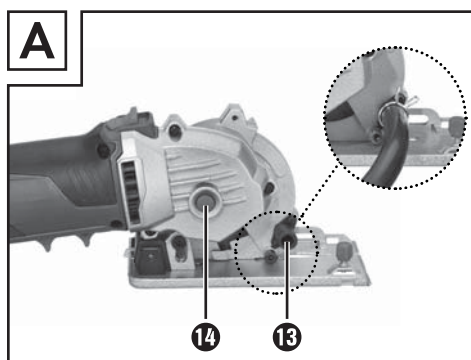
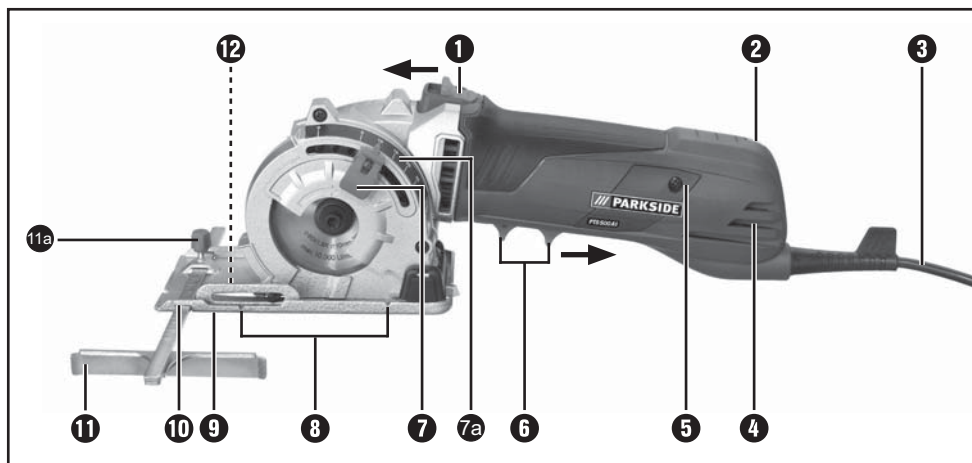
NL BE

Vouw vóór het lezen de pagina met de afbeeldingen open en maak u vertrouwd met alle functies van het apparaat.

DE AT CH

Klappen Sie vor dem Lesen die Seite mit den Abbildungen aus und machen Sie sich anschließend mit allen Funktionen des Gerätes vertraut.

GB/IE	Translation of the original instructions	Page	1
DK	Oversættelse af den originale driftsvejledning	Side	15
FR/BE	Traduction des instructions d'origine	Page	29
NL/BE	Vertaling van de originele gebruiksaanwijzing	Pagina	43
DE/AT/CH	Originalbetriebsanleitung	Seite	57



Contents

Introduction	2
Intended use	2
Features	2
Package contents	2
Technical data	2
General Power Tool Safety Warnings	3
1. Work area safety	3
2. Electrical safety	3
3. Personal safety	4
4. Power tool use and care	4
5. Service	5
Appliance-specific safety instructions	5
Safety instructions for all saws	5
Further safety instructions for all saws	5
Specific safety instructions for this saw	6
Safety instructions for abrasive cutting appliances	7
Further safety instructions for abrasive cutting applications	8
Supplementary notes	9
Original accessories/auxiliary equipment	9
Safety instructions for grinding tools	10
Operation	10
Switching on and off	10
Releasing the plunge lock	10
Selecting the cutting depth	10
Fitting the rip fence	10
Handling the plunge saw	10
Markings for cut length	11
Markings for cutting line	11
Connecting the sawdust extraction device	11
Changing the saw blade	11
Cleaning and maintenance	11
Disposal	11
Warranty	12
Service	12
Importer	12
Translation of the original Conformity Declaration	13

PLUNGE SAW PTS 500 A1

Introduction



Congratulations on the purchase of your new appliance. You have selected a high-quality product. The operating instructions are part of this product. They contain important information on safety, usage and disposal. Before using the product, familiarise yourself with all handling and safety guidelines. Use the product only as described and for the range of applications specified. Please also pass these operating instructions on to any future owner.

Intended use

The appliance is primarily designed for sawing longitudinal and cross cuts in a plunge saw cut into firmly supported solid wood, chip board, plywood, aluminium, tiles, stone, plastics, and lightweight construction materials. Please note that the pre-assembled saw blade is only suitable for use with wood. Any other usage of or modification to the appliance is considered improper and carries the risk of serious personal injury. Not for commercial use.

Features

- 1 Mechanical plunge lock
- 2 Power On / control lamp
- 3 Power cord
- 4 Ventilation slits
- 5 Cover for carbon brushes
- 6 ON / OFF switch
- 7 Cutting depth setting
- 7a Dial for cutting depth
- 8 Markings for cut length
- 9 Base plate
- 10 Rip fence slot
- 11 Rip fence
- 11a Screw for rip fence
- 12 Viewing window for cutting line
- 13 Connection to dust extraction
- 14 Spindle lock
- 15 Allen key
- 16 Saw blade
- 17 Clamping flange

- 18 Clamping screw and washer
- 19 Suction hose
- 20 HW circular saw blade Z85 / 30
- 21 Diamond-coated cutting saw blade Z85VR
- 22 HS circular saw blade Z85 / 36

Package contents

- 1 plunge saw PTS 500 A1
- 1 HW circular saw blade Z85 / 30
- 1 diamond-coated cutting saw blade Z85VR
- 1 HS circular saw blade Z85 / 36
- 1 rip fence
- 1 suction hose
- 1 Allen key
- 1 carrying case
- 1 set of operating instructions

Technical data

Nominal power:	500 W
Rated voltage:	230 V ~, 50 Hz
Idle speed:	n_0 4500 min ⁻¹
Max. cutting depth:	25 mm
Protection class:	II/□

Noise and vibration data:

Noise measurement value determined in accordance with EN 60745. The A-rated noise level of the power tool is typically as follows:

Sound pressure level:	82 dB(A)
Sound power level:	93 dB(A)
Uncertainty K:	3 dB



Wear hearing protection!

Weighted acceleration, typically:

Hand/arm vibration $a_h = 2.266 \text{ m/s}^2$
 Uncertainty K = 1.5 m/s^2

⚠ WARNING!

■ The vibration level specified in these instructions has been measured in accordance with the standardised measuring procedure specified in EN 60745 and can be used for equipment comparisons. The specified vibration emission value can also be used to make an initial exposure estimate. The vibration level varies in accordance with the use of the power tool and may be higher than the value specified in these instructions in some cases. There is a risk of underestimation of the vibration load if the power tool is used regularly in this manner.

NOTE

► For an accurate estimate of the vibration load during a specific working period, the periods during which the appliance is switched off or is running but not actually being used must also be taken into consideration. This can significantly reduce the vibration load over the total working period.

⚠ General Power Tool Safety Warnings

⚠ WARNING!

► Read all safety warnings and all instructions. Failure to follow the warnings and instructions may result in electric shock, fire and/or serious injury.

Save all warnings and instructions for future reference.

The term "power tool" in the warnings refers to your mains-operated (corded) power tool or battery-operated (cordless) power tool

1. Work area safety

- a) **Keep your work area clean and well lit.** Cluttered or dark areas invite accidents.
- b) **Do not operate power tools in explosive atmospheres, such as in the presence of flammable liquids, gases or dust.** Power tools create sparks which may ignite the dust or fumes.
- c) **Keep children and bystanders away while operating a power tool.** Distractions can cause you to lose control.

2. Electrical safety

- a) **Power tool plugs must match the outlet.** Never modify the plug in any way. Do not use any adapter plugs with earthed (grounded) power tools. Unmodified plugs and matching outlets will reduce risk of electric shock.
- b) **Avoid body contact with earthed or grounded surfaces, such as pipes, radiators, ranges and refrigerators.** There is an increased risk of electric shock if your body is earthed or grounded.
- c) **Do not expose power tools to rain or wet conditions.** Water entering a power tool will increase the risk of electric shock.
- d) **Do not abuse the cord. Never use the cord for carrying, pulling or unplugging the power tool. Keep cord away from heat, oil, sharp edges or moving parts.** Damaged or entangled cords increase the risk of electric shock.
- e) **When operating a power tool outdoors, use an extension cord suitable for outdoor use.** Use of a cord suitable for outdoor use reduces the risk of electric shock.
- f) **If operating a power tool in a damp location is unavoidable, use a residual current device (RCD) protected supply.** Use of an RCD reduces the risk of electric shock.

3. Personal safety

- a) Stay alert, watch what you are doing and use common sense when operating a power tool. Do not use a power tool while you are tired or under the influence of drugs, alcohol or medication. A moment of inattention while operating power tools may result in serious personal injury.
- b) Use personal protective equipment. Always wear eye protection. Protective equipment such as dust mask, non-skid safety shoes, hard hat, or hearing protection used for appropriate conditions will reduce personal injuries.
- c) Prevent unintentional starting. Ensure the switch is in the off-position before connecting to power source and/or battery pack, picking up or carrying the tool. Carrying power tools with your finger on the switch or energising power tools that have the switch on invites accidents.
- d) Remove any adjusting key or wrench before turning the power tool on. A wrench or a key left attached to a rotating part of the power tool may result in personal injury.
- e) Do not overreach. Keep proper footing and balance at all times. This enables better control of the power tool in unexpected situations.
- f) Dress properly. Do not wear loose clothing or jewellery. Keep your hair, clothing and gloves away from moving parts. Loose clothes, jewellery or long hair can be caught in moving parts.
- g) If devices are provided for the connection of dust extraction and collection facilities, ensure these are connected and properly used. Use of dust collection can reduce dust-related hazards.

4. Power tool use and care

- a) Do not force the power tool. Use the correct power tool for your application. The correct power tool will do the job better and safer at the rate for which it was designed.
- b) Do not use the power tool if the switch does not turn it on and off. Any power tool that cannot be controlled with the switch is dangerous and must be repaired.
- c) Disconnect the plug from the power source and/or the battery pack from the power tool before making any adjustments, changing accessories, or storing power tools. Such preventive safety measures reduce the risk of starting the power tool accidentally.
- d) Store idle power tools out of the reach of children and do not allow persons unfamiliar with the power tool or these instructions to operate the power tool. Power tools are dangerous in the hands of untrained users.
- e) Maintain power tools. Check for misalignment or binding of moving parts, breakage of parts and any other condition that may affect the power tool's operation. If damaged, have the power tool repaired before use. Many accidents are caused by poorly maintained power tools
- f) Keep cutting tools sharp and clean. Properly maintained cutting tools with sharp cutting edges are less likely to bind and are easier to control.
- g) Use the power tool, accessories and tool bits etc. in accordance with these instructions, taking into account the working conditions and the work to be performed. Use of the power tool for operations different from those intended could result in a hazardous situation.


5. Service

- a) Have your power tool serviced by a qualified repair person using only identical replacement parts. This will ensure that the safety of the power tool is maintained.

Appliance-specific safety instructions

Safety instructions for all saws

Cutting procedures

- a)  **DANGER!** Keep hands away from the cutting area and saw blade. Keep your second hand on the auxiliary handle or motor housing. If both hands are holding the saw, they cannot be injured by the saw blade.
- b) Do not reach underneath the workpiece. The blade guard cannot protect you from the saw blade below the workpiece.
- c) Adapt the cutting depth to the thickness of the workpiece. Less than a full tooth height should be visible below the workpiece.
- d) Never hold the workpiece that is being cut in your hands or across your leg. Secure the workpiece to a stable support. It is important to secure the workpiece properly to minimise the risk of body contact, the saw blade jamming or the loss of control.
- e) Only hold the power tool by the insulated gripping surfaces when performing an operation during which the cutting tool may hit hidden wiring. Contact with a "live" wire will also electrify exposed metal parts of the power tool and could give the operator an electric shock.
- f) When making longitudinal cuts, always use a rip fence or straight edge guide. This improves the accuracy of the cut and reduces the chance of the blade jamming.
- g) Always use the correct size of saw blades and an appropriate central fixing bore (e.g. star-shaped or round). Saw blades that do not fit the mounting components of the saw will run eccentrically, causing loss of control.

- h) Never use damaged or incorrect saw blade washers or screws. The saw blade washers and screws have been specially designed for your saw to provide optimum performance and operational safety.

Further safety instructions for all saws

Kickback - causes and corresponding safety instructions

- A kickback is a sudden reaction caused as a result of the saw blade catching, jamming or being falsely aligned, causing the saw to jump up uncontrollably and out of the workpiece in the direction of the operator;
- if the saw blade catches or jams in a narrowing saw cut, the blade can no longer rotate and the power of the motor throws the appliance back in the direction of the operator;
- if the saw blade twists in the saw cut or becomes misaligned, the teeth at the rear edge of the saw blade can become caught in the surface of the workpiece, causing the saw blade to jump out of the cut and the saw to jump backwards in the direction of the operator.

A kickback is caused by incorrect use or misuse of the saw. This can be avoided by taking proper precautions as given below.

- a) Hold the saw firmly in both hands and position your arms so that they can absorb the force of a kickback. Position your body to either side of the saw blade, never in line with the saw blade. If a kickback occurs, the circular saw may jump backwards. By taken appropriate precautions, however, the operator can control the kickback forces.
- b) If the saw blade jams or you stop working, switch the saw off and hold it steadily in the workpiece until the saw blade has completely stopped turning. Never attempt to remove the saw from the workpiece or pull it backwards while the saw blade is still moving as this could lead to a kickback. Find out why the saw blade has jammed and remove the problem.

- c) If you want to restart a saw that is still in the workpiece, centre the saw blade in the cut and check to ensure that the teeth are not caught anywhere in the workpiece. If the saw blade catches it can jump out of the workpiece or cause a kickback when the saw is restarted.
- d) Support large panels or boards to reduce the risk of the saw blade jamming and causing a kickback. Large panels tend to bend under their own weight. Panels must be supported on both sides, both the vicinity of the saw cut and also at the edge.
- e) Do not use blunt or damaged saw blades. Saw blades with blunt or misaligned teeth may cause excessive friction as the saw cut is too narrow, and can cause a sawblade jam and kickback.
- f) Before sawing, ensure that the fastenings for the cut depth and cut angle settings are tightened. If the settings change while sawing, the saw blade might jam and cause a kickback.
- g) Be particularly careful when sawing in existing walls or other obscured areas. The inserted saw blade could get caught on hidden objects and cause a kickback.

Specific safety instructions for this saw

Function of the lower blade guard:

- a) Before every use, check to ensure that the blade guard closes properly. Do not use the saw if the lower blade guard does not move freely and does not close immediately. Never jam or fasten the blade guard; this would leave the saw blade unprotected. If the saw accidentally falls to the floor, the blade guard might bend. Ensure that the blade guard moves freely and does not touch the saw blade or other parts at any cutting angles or depths.
- b) Check the condition and function of the spring for the blade guard. Have the saw serviced before using it if the blade guard and spring are not working properly. Damaged parts, sticky deposits or accumulations of chippings can cause the lower blade guard to operate slowly.
- c) When making a "plunge cut" that is not at right angles, secure the base plate of the saw to prevent any lateral movement. Lateral movement can cause the saw blade to jam, thus causing a kickback.
- d) Do not leave the saw on the work bench or floor if the blade guard is not fully covering the saw blade. An unprotected, coasting saw blade will move the saw in the opposite direction to the cutting direction saw anything in its path. Always take into account that the saw blade takes some time to stop spinning.

Supplementary notes

- Do not use any grinding discs.
- Use only saw blades with diameters corresponding to the label on the saw.
- When sawing wood or other materials that create dusts that are hazardous to health, always connect the appliance to a suitable, certified suction appliance.
- Wear a dust mask when sawing wood.
- Only use recommended saw blades.
- Always wear ear protectors.
- Do not allow the teeth of the saw blade to overheat.
- When sawing plastic, avoid melting the plastic.

Checking the blade guard:

- Pull the release lever for the blade guard as far as it will go. The blade guard should move without jamming. When letting go of the release lever for the blade guard, it should automatically jump back to its original position.

Circular saw blades (symbols)



Wear protective gloves!



Wear a dust mask!



Wear protective glasses!



Wear ear protectors!

Safety instructions for abrasive cutting appliances

- a) The blade guard, which is a part of the power tool, must be attached securely and set in a way that ensures maximum safety, i.e. the smallest possible amount of the grinding tool is exposed to the operator. Ensure that you and anyone else in the vicinity remain outside of the range of the rotating grinding disc. The blade guard is designed to protect the operator from fragments and accidental contact with the grinding tool.
 - b) Use only diamond-coated cutting discs for your power tool. Just because you can attach the accessories to your power tool, does not ensure they are safe to use.
 - c) The permissible speed of the accessory tool used must be at least as high as the maximum speed specified for the power tool. Accessories that rotate faster than the permissible rate can break and throw pieces into the air.
 - d) Grinding tools should only be used for the recommended applications.
For example: Never grind with the side surface of a cutting disc. Cutting discs are designed to remove material with the edge of the disc. Any lateral application of force on these grinding tools can lead to breakage.
- e) Always use an undamaged clamping flange of the correct size and shape for the selected grinding disc. Suitable flanges support the grinding disc and reduce the risk of disc breakage.
 - f) Do not use worn grinding discs from larger power tools. Grinding discs for larger power tools are not designed for the higher rotational speeds of smaller power tools and can break.
 - g) The external diameter and thickness of the accessory tool used must comply with the dimensions of your power tool. Incorrectly dimensioned accessory tools cannot be sufficiently shielded or controlled.
 - h) Grinding discs and flanges must fit precisely onto the grinding spindle of your power tool. Accessory tools which do not precisely fit on the grinding spindle of the power tool will rotate unevenly, vibrate severely and can lead to a loss of control.
 - i) Do not use damaged grinding discs. Check the grinding discs before each use for chips and cracks. If the power tool or grinding disc is dropped, check to see if it is damaged, or use an undamaged grinding disc. After checking and inserting the grinding disc, ensure that you and any other people in the vicinity remain outside of the range of the rotating grinding disc, and allow the tool to rotate at maximum speed for one minute. Damaged grinding discs usually break during this test period.
 - j) Wear personal protective equipment. Depending on the application, ensure that you use full face protection, eye protection or goggles. If required, use a dust mask, ear protectors, protective gloves or special apron to protect you from grindings and material particles. Eyes should be protected from flying debris that may be generated during certain applications. Dust or filter masks must filter any dust created by the application. If you are exposed to loud noise for any length of time, you may suffer hearing loss.

- k) Ensure that other people remain at a safe distance to your workspace. Anyone who enters the workspace must wear personal protective equipment. Fragments of the workpiece or broken accessory tools can fly off and cause injury – even outside the immediate working area.
- l) **Hold the power tool only by the insulated handles while you are carrying out work during which the accessory tool may come into contact with concealed power cables or the tool's own power cord.** Contact with a live cable may also cause metal parts of the appliance to become live and may result in an electric shock.
- m) **Keep the power cord away from any rotating accessories.** If you lose control of the appliance, the cord may get cut or caught and your hand or arm could get caught in the rotating accessory tool.
- n) **Never put the power tool down until the accessory tool has come to a complete standstill.** The rotating accessory tool can come into contact with the surface and cause you to lose control of the power tool.
- o) **Do not leave the power tool running whilst carrying it.** Accidental contact between your clothing and the rotating accessory tool could cause your clothing to get caught and the accessory tool to penetrate a part of your body.
- p) **Clean the ventilation slits of your power tool regularly.** The engine fan draws dust into the housing and a strong accumulation of metal dust can cause electrical hazards.
- q) **Do not use the power tool in the vicinity of flammable materials.** Sparks can ignite such materials.
- r) **Do not use any accessory tools which require liquid coolant.** The use of water or other liquid coolants may lead to electric shock.

Further safety instructions for abrasive cutting applications

Kickback and corresponding safety instructions

Kickback is the sudden reaction caused when a rotating grinding disc catches or jams. Catching or jamming causes the rotating accessory tool to stop abruptly. If this happens, an uncontrolled power tool turns rapidly against the direction of rotation of the accessory tool caught in the blockage.

If, for example, a grinding disc catches or jams, the edge of the grinding disc that is projecting into the workpiece can get caught and break off the grinding disc or cause a kickback. The grinding disc can then fly in the direction of the operator or away from him, depending on the direction of rotation of the disc at the blockage. This can also break grinding discs.

A kickback is caused by incorrect use or misuse of the power tool. This can be avoided by taking proper precautions as given below.

- a) **Hold the power tool firmly in both hands and position your body and arms so they can absorb the force of a kickback. Always use the additional handle, if available, so you have maximum control over the kickback force or reaction torques at full speed.** By taking adequate precautions, the operator can stay in control of the kickback and reaction torques.
- b) **Never hold your hand close to rotating accessory tools.** The accessory tool could hit your hand in the event of a kickback.
- c) **Avoid the area in front of and behind the rotating cutting disc.** The kickback will force the power tool in the opposite direction to the direction of rotation of the grinding disc at the blockage.
- d) **Take special care when working around corners, sharp edges, etc. Avoid allowing the accessory tool to bounce back from the workpiece, or jam.** The rotating accessory tool is more likely to jam in corners or sharp edges or if it bounces. This can cause a loss of control or kickback.

- e) Do not use a toothed or chain saw blade or segmented diamond-coated disc with more than 10 mm wide slits. Such accessory tools cause a kickback or loss of control over the power tool.
- f) Avoid cutting disc jams or excessive contact pressure. Do not make any excessively deep cuts. Overloading the cutting disc increases the stress and likelihood of tilting or jamming and thus the possibility of kickback or breakage of the grinding tool.
- g) If the cutting disc jams or you stop working, switch the tool off and hold it steady until the disc has completely stopped turning. Never attempt to pull a rotating cutting disc out of a cut. This could lead to kickback. Identify and remove the cause of the jam.
- h) Do not switch the power tool back on as long as it is in the workpiece. Allow the cutting disc to reach its full speed before you carefully continue the cut. Otherwise, the disc may jam, jump out of the workpiece or cause kickback.
- i) Support panels or large workpieces to reduce the risk of the cutting disc jamming and causing a kickback. Large workpieces can bend under their own weight. The workpiece must be deposited on both sides of the disc, namely in the vicinity of the cutting disc and also at the edge.
- j) Be particularly careful when making "pocket cuts" into existing walls or other obscured areas. The protruding cutting disc may cut gas or water pipes, electrical wiring or other objects that can cause kickback.

Original accessories/auxiliary equipment

- Only use the accessories and additional equipment that are specified in the operating instructions and are compatible with the appliance.

Cutting saw blade (symbols)



Wear ear protectors!



Wear protective glasses!



Wear safety shoes!



Wear protective gloves!



Wear a dust mask!



Not approved for wet grinding!



Approved diameter of tools

Supplementary notes

Approved cutting disc designs:

Diamond-coated, disc diameter 85 mm, disc thickness max. 1.8 mm

- Always wear a dust mask!
- Always wear ear protectors!

Safety instructions for grinding tools

a) General

Grinding tools are very fragile and likely to break which is why great care must be taken when handling the grinding tools. Using damaged, incorrectly clamped or incorrectly installed grinding discs is dangerous and may cause serious injury.

b) Handling, transport and storage

Grinding tools are to be treated with care and transported carefully. Grinding tools should be stored in such a way that they are not exposed to mechanical damage or harmful environmental influences.

Avoid any risk of an electric shock.

- Check the condition of the device, power cord and power plug at regular intervals. Stop using appliances where the aforementioned parts are damaged. Never open the device. Damaged appliances, power cords or power plugs cause danger to life by electric shock. Have repairs and replacement work done only by the Service centre or a qualified electrician.
- Do not operate the appliance if it is damp or in a humid environment.
- When working outdoors, connect the appliance via a fault current circuit breaker with a maximum tripping current of 30 mA. Use only an extension cord approved for outdoor use.

NOTE

- ▶ Always hold the power cord away from the working area of the machine and run it to the rear away from the machine.

Operation

Switching on and off

Switching on:

- ◆ Pull the ON / OFF switch **6** back.

Switching off:

- ◆ Release the ON/OFF switch **6**.

Releasing the plunge lock

- ◆ Push the plunge lock **1** forward and keep it pressed.

Selecting the cutting depth

NOTE

- ▶ We generally recommend setting the cutting depth to approx. 2 mm more than the thickness of the material. This ensures that you achieve a clean cut.
- ◆ Release the quick-release lever for setting the cutting depth **7**, and set the desired cutting depth on the dial **7a** and clamp the quick-release lever again.

Fitting the rip fence

- ◆ Loosen the rip fence screw **11a** on the base plate **9** and insert the rip fence **11** into the rip fence slot **10**. Tighten the screw **11a** again.

Handling the plunge saw

1. Place the machine on the material and switch on, as described in the chapter "Switching on and off".
2. If necessary, align the machine using the rip fence **11** or by using a marked line.
3. Saw by applying moderate pressure.

Types of saw blades:

The types of saw blades supplied cover the most common fields of application.

HW circular saw blade 20 Z85 / 30:

Description: ø 85 mm, 30 HW teeth Suitability: soft wood, hard wood, any kind of panel, plastics

Diamond-coated cutting saw blade 21 Z85VR:

Description: ø 85 mm, full edge disc Suitability: ceramics, plastics

HS circular saw blade 22 Z85 / 36:

Description: ø 85 mm, 36 teeth – cross-cut left / right Suitability: soft wood, soft metal such as aluminium, copper, plastics

Markings for cut length

- ◆ Use the markings for the max. cut length 8, to check where your cut starts and ends.

Markings for cutting line

The viewing window for the cutting line helps you accurately guide machine along the cutting line on the workpiece.

- ◆ For a true to size cut, place the machine onto the workpiece so that the cut marking appears in the viewing window for the cutting line 12.

Connecting the sawdust extraction device

- ◆ Push the suction hose 19 onto the dust extractor connector 18.
- ◆ Attach an approved dust and sawdust extractor to the suction hose 19.

Changing the saw blade

1. Actuate the spindle lock 14 and use the Allen key 15 to loosen the clamping screw 18 (turn clockwise to open). Now remove the clamping screw and washer 18 and the clamping flange 17 (see also Fig. B).
2. Set the cutting depth to the maximum position.
3. Swivel the base plate 9 up.
4. Remove the saw blade 16.
5. Fit the saw blade in the reverse order as described.
6. Actuate the spindle lock 14 (until it engages)

and use the Allen key to tighten the clamping screw 18.

- The arrow on the saw blade must correspond to the arrow showing the direction of rotation (running direction shown on the device).

Cleaning and maintenance



WARNING! RISK OF INJURY! Always remove the power plug from the mains power socket before carrying out any work on the appliance.

- Always clean the appliance after finishing work.
- For cleaning the housing use a cloth, under no circumstances should you use petrol, solvents or cleaning agents.

Disposal



The packaging is made from environmentally friendly material and can be disposed off at your local recycling plant.



Do not dispose of power tools in your normal household waste!

European Directive 2012/19/EU requires that used power tools be collected separately and recycled in an environmentally compatible manner. Your local community or municipal authorities can provide information on how to dispose of the worn-out appliance.

Warranty

This appliance is provided with a 3-year warranty valid from the date of purchase. The appliance has been manufactured with care and inspected meticulously prior to delivery. Please retain your receipt as proof of purchase. In the event of a warranty claim, please contact your Customer Service unit by telephone. This is the only way to guarantee free return of your goods.

The warranty only covers claims for material and manufacturing defects, not for damage sustained during carriage, components subject to wear and tear or damage to fragile components such as switches or batteries. This appliance is intended solely for private use and not for commercial purposes. The warranty shall be deemed void in cases of misuse or improper handling, use of force and modifications/repairs which have not been carried out by one of our authorised Service centres. Your statutory rights are not restricted by this warranty. The warranty period is not prolonged by repairs effected under the warranty. This also applies to replaced and repaired components. Any damage and defects present at the time of purchase must be reported immediately after unpacking, but no later than two days after the date of purchase. Repairs carried out after expiry of the warranty period shall be subject to charge.

Service

WARNING!

- ▶ Have the power tool repaired by the Service centre or a qualified electrician and only using original replacement parts. This will ensure that the safety of the appliance is maintained.
- ▶ Always ensure that the power plug or the mains cable is replaced only by the manufacturer of the appliance or by an approved customer service provider. This will ensure that the safety of the appliance is maintained.

Service Great Britain

Tel.: 0871 5000 720 (£ 0.10/Min.)

E-Mail: kompernass@lidl.co.uk

IAN 273278

Service Ireland

Tel.: 1890 930 034

(0,08 EUR/Min., (peak))

(0,06 EUR/Min., (off peak))

E-Mail: kompernass@lidl.ie

IAN 273278

Hotline availability: Monday to Friday from 8:00 a.m. to 8:00 p.m. (CET)

Importer

KOMPERNASS HANDELS GMBH

BURGSTRASSE 21

44867 BOCHUM

GERMANY

www.kompernass.com

Translation of the original Conformity Declaration

We, KOMPERNASS HANDELS GMBH, documents officer: Mr. Semi Uguzlu, BURGSTR. 21, 44867 BOCHUM, GERMANY, hereby declare that this product complies with the following standards, normative documents and EC directives:

**Machinery Directive
(2006/42/EC)**

**EMC (Electromagnetic Compatibility)
(2004/108/EC)**

**RoHS Directive
(2011/65/EU)**

Applied harmonised standards:

EN 60745-1 / A11: 2010

EN 60745-2-5: 2010

EN 60745-2-22 / A11: 2013

EN 55014-1 / A2: 2011

EN 55014-2 / A2: 2008

EN 61000-3-2 / A2: 2009

EN 61000-3-3: 2013

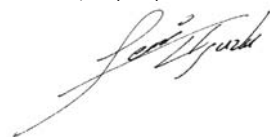
Type/appliance designation:

Plunge saw PTS 500 A1

Year of manufacture: 08-2015

Serial number: IAN 273278

Bochum, 24/08/2015



Semi Uguzlu

- Quality Manager -

The right to effect technical changes in the context of further development is reserved.

Indholdsfortegnelse

Indledning	16
Anvendelsesområde	16
Udstyr	16
Pakkens indhold	16
Tekniske data	16
Generelle sikkerhedsanvisninger for elværktøj	17
1. Sikkerhed på arbejdspladsen	17
2. Elektrisk sikkerhed	17
3. Personsikkerhed	18
4. Anvendelse og håndtering af elværktøj	18
5. Service	19
Sikkerhedsanvisninger specielt for produktet	19
Sikkerhedsanvisninger for alle savtyper	19
Yderligere sikkerhedsanvisninger for alle savtyper	19
Specifikke sikkerhedsanvisninger for denne sav	20
Sikkerhedsanvisninger til save-slibemaskiner	21
Yderligere sikkerhedsanvisninger til save-slibemaskiner	22
Supplerende anvisninger	23
Originalt tilbehør / originalt ekstraudstyr	23
Sikkerhedsanvisninger til slibeværktøjer	24
Første brug	24
Tænd/sluk	24
Dykpærren løsnes	24
Forvalg af skæredybde	24
Montering af parallelanslag	24
Håndtering af dyksaven	24
Markering af snitlængde	25
Markering af snitlinje	25
Tilslutning af spånudsugning	25
Udskiftning af savklinge	25
Rengøring og vedligeholdelse	25
Bortskaffelse	25
Garanti	26
Service	26
Importør	26
Oversættelse af den originale overensstemmelseserklæring	27

DK

DYKSAV PTS 500 A1

Indledning



Tillykke med købet af dit nye produkt.

Du har valgt et produkt af høj kvalitet.

Betjeningsvejledningen er en del af dette produkt. Den indeholder vigtige informationer om sikkerhed, anvendelse og bortskaffelse. Du bør sætte dig ind i alle produktets betjenings- og sikkerhedsanvisninger før brug. Brug kun produktet som beskrevet og kun til de angivne anvendelsesområder. Lad vejledningen følge med produktet, hvis du giver det videre til andre.

Anvendelsesområde

Maskinen er fortrinsvist beregnet til længde- og tværsavning af fastgjort massivt træ, spånplader, krydsfiner, aluminium, fliser, sten, plast og lette byggematerialer. Vær opmærksom på, at den monterede savklinge kun er egnet til savning af træ. Al anden anvendelse eller ændring af maskinen anses for at være uden for anvendelsesområdet og indebærer betydelige farer for uheld. Ikke beregnet til erhvervs-mæssig brug.

Udstyr

- 1 Mekanisk dykspærre
- 2 Tilkoblings- / kontrollampe
- 3 Strømledning
- 4 Ventilationsåbning
- 5 Afdækning til kulbørster
- 6 TÆND- / SLUK-knap
- 7 Dybdeforvalg for snit
- 7a Skala for snitdybde
- 8 Markeringer snitlængde
- 9 Grundplade
- 10 Parallelanslagsoptag
- 11 Parallelanslag
- 11a Skruer til parallelanslag
- 12 Vindue snitlinje
- 13 Tilslutning til støvudsugning
- 14 Spindellås
- 15 Unbraconøgle
- 16 Savklinge
- 17 Klemmefflange

- 18 Spændeskruer og underlagsskive
- 19 Udsugningsslange
- 20 HW-rundsavsklinge Z85 / 30
- 21 Savklinge med diamantbelægning Z85VR
- 22 HS-rundsavsklinge Z85 / 36

Pakkens indhold

- 1 dyksav PTS 500 A1
- 1 HW-rundsavsklinge Z85 / 30
- 1 savklinge med diamantbelægning Z85VR
- 1 HS-rundsavsklinge Z85 / 36
- 1 parallelanslag
- 1 udsugningsslange
- 1 unbraconøgle
- 1 kuffert
- 1 betjeningsvejledning

Tekniske data

Mærkeeffekt:	500 W
Mærkespænding:	230 V ~, 50 Hz
Omdrejninger ubelastet:	n_0 4500 min ⁻¹
Maks. snitdybde:	25 mm
Beskyttelsesklasse:	II/□

Støj- og vibrationsoplysninger:

Måleværdi for støj beregnet iht. EN 60745. Det A-vægtede støjniveau for elværktøjet udgør typisk:

Lydtrykniveau:	82 dB(A)
Lydeffektniveau:	93 dB(A)
Usikkerhed K:	3 dB



Bær høreværn!

Vurderet acceleration, normalt:

Hånd-/armvibration $a_h = 2,266 \text{ m/s}^2$
 Usikkerhed K = 1,5 m/s^2

⚠ ADVARSEL!

■ Vibrationsniveauet, som er angivet i disse anvisninger, er målt med en målemetode, der er standardiseret efter EN 60745, og som kan anvendes til sammenligning af elapparater. Den angivne vibrationsemissionsværdi kan også anvendes til en indledende vurdering af faren ved vibrationsniveauet. Vibrationsniveauet ændrer sig afhængigt af elværktøjets anvendelse og kan i mange tilfælde ligge over værdien, der er angivet i disse anvisninger. Vibrationsbelastningen kan undervurderes, hvis elværktøjet jævnligt anvendes på denne måde.

BEMÆRK

► For at opnå en nøjagtig vurdering af vibrationsbelastningen i et bestemt arbejdsrum er man også nødt til at medregne de tidspunkter, hvor produktet er slukket eller ganske vist er tændt, men ikke anvendes. Dette kan reducere vibrationsbelastningen over hele tidsrummet betydeligt.



Generelle sikkerhedsanvisninger for elværktøj

⚠ ADVARSEL!

► Læs alle sikkerhedsanvisninger og -instruktioner. Hvis de angivne sikkerhedsanvisninger og instruktioner ikke overholdes, kan det medføre elektrisk stød, brand og/eller alvorlige kvæstelser.

Opbevar sikkerhedsanvisningerne og -instruktionerne til senere brug.

Begrebet "elværktøj", der anvendes i sikkerhedsanvisningerne, henviser både til elværktøj, der anvendes med ledning til lysnettet, og batteridrevet elværktøj (uden strømledning).

1. Sikkerhed på arbejdspladsen

- a) Hold arbejdspladsen ren og godt oplyst. Rod og dårligt oplyste arbejdspladser kan medføre uheld.
- b) Arbejd aldrig med elværktøj i eksplosionsfarlige omgivelser, hvor der befinder sig brandbare væsker, gasser eller støv. Elværktøj danner gnister, som kan antænde støvet eller dampene.
- c) Hold børn og andre personer på afstand, når elværktøjet bruges. Hvis du bliver distraheret, kan du miste kontrollen over produktet.

2. Elektrisk sikkerhed

- a) Elværktøjets tilslutningsstik skal passe til stikkontakten. Stikket må ikke ændres på nogen måde.
Der må ikke bruges adapterstik sammen med beskyttelsesjorden elværktøj. Uændrede stik og de rigtige stikkontakter reducerer risikoen for elektrisk stød.
- b) Undgå kropskontakt med jordforbundne overflader som f.eks. rør, radiatorer, komfurer og køleskabe. Der er øget risiko for elektrisk stød, hvis din krop har jordforbindelse.
- c) Beskyt elværktøjet mod regn og fugt. Hvis der trænger vand ind i elværktøjet, øges risikoen for elektrisk stød.
- d) Brug ikke ledningen til noget, den ikke er beregnet til, f.eks. til at bære eller hænge værktøjet op i eller til at trække stikket ud af stikkontakten. Hold ledningen på afstand af varme, olie, skarpe kanter eller dele af produktet, der er i bevægelse. Beskadigede eller sammenfiltrede ledninger øger risikoen for elektrisk stød.
- e) Hvis du anvender et elværktøj udendørs, skal der bruges en forlængerledning, som også er godkendt til brug udendørs. Når du anvender en forlængerledning, der er beregnet til udendørs brug, reduceres risikoen for elektrisk stød.
- f) Hvis det ikke er muligt at undgå at bruge elværktøjet i fugtige omgivelser, skal der installeres en fejlstrømsafbryder. Installation af en fejlstrømsafbryder reducerer risikoen for elektrisk stød.

DK

3. Personssikkerhed

- a) Vær altid opmærksom og bevidst om, hvad du laver, og arbejd fornuftigt med elværktøjet. Brug ikke elværktøjet, hvis du er syg eller træt eller påvirket af narkotika, alkohol eller medicin. Selv et øjeblik uopmærksomhed ved brug af elværktøjet kan medføre alvorlige kvæstelser.
- b) Brug personligt beskyttelsesudstyr, og bær altid beskyttelsesbriller. Når du bruger personligt beskyttelsesudstyr som f.eks. støvmaske, skridsikre sikkerhedssko, beskytteshandsker, sikkerhedshjelm og høreværn afhængigt af elværktøjets type og anvendelse, reduceres risikoen for kvæstelser.
- c) Undgå utilsigtet igangsætning. Kontrollér, at elværktøjet er slukket, før du forbinder det med elforsyningen og/eller tilslutter batteriet, tager elværktøjet op eller bærer det. Hvis du har en finger på kontakten, eller hvis elværktøjet er tændt, mens du bærer det, kan der opstå uheld.
- d) Fjern indstillingsværktøj eller skrueøgler, før du tænder elværktøjet. Hvis der sidder et værktøj eller en skrueøgle på en roterende del af elværktøjet, kan det medføre personskader.
- e) Undgå unormale kropstillinger. Sørg for, at du står sikkert, og hold altid balancen. Derved kan du bedre kontrollere elværktøjet i uventede situationer.
- f) Bær velegnet påklædning. Bær ikke løstsiddende tøj eller smykker. Hold hår, tøj og handsker på afstand af dele, der bevæger sig. Løst tøj, smykker eller hår kan gribe fat i dele, der bevæger sig.
- g) Hvis der monteres støvudsugnings- og op-samlingsanordninger, skal disse tilsluttes og anvendes korrekt. Anvendelse af denne type anordning nedsætter støvriskoen.

4. Anvendelse og håndtering af elværktøj

- a) Overbelast ikke elværktøjet. Brug et elværktøj, der er egnet til arbejdet. Du arbejder bedre og mere sikkert i det angivne effektområde, hvis du bruger det rigtige elværktøj.
- b) Brug ikke elværktøj med defekt kontakt. Elværktøj, som ikke længere kan tændes og slukkes, er farligt og skal repareres.
- c) Træk stikket ud af stikkontakten, og/eller fjern det genopladelige batteri, før du foretager indstillinger på produktet eller tilbehørsdelene eller lægger produktet fra dig. Disse forholdsregler forhindrer, at elværktøjet starter ved en fejl.
- d) Opbevar elværktøj uden for børns rækkevidde, når det ikke anvendes. Personer, som ikke kender produktet, eller som ikke har læst disse anvisninger, må ikke bruge produktet. Elværktøj er farligt, hvis det anvendes af uerfarne personer.
- e) Vedligehold elværktøjet omhyggeligt. Kontrollér, om bevægelige dele fungerer, som de skal og ikke sætter sig fast, om dele er defekte eller så beskadigede, at elværktøjets funktion er påvirket. Få beskadigede dele repareret, inden du bruger produktet. Mange uheld skyldes dårligt vedligeholdt elværktøj.
- f) Hold skærende værktøjer skarpe og rene. Omhyggeligt vedligeholdt værktøj med skarpe skær sætter sig ikke så ofte fast og er lettere at styre.
- g) Brug elværktøj, tilhører, udskiftelige dele osv. iht. disse anvisninger. Tag hensyn til arbejdsbetingelserne og arbejdet, der skal udføres. Anvendelse af elværktøj til andet end de til-tænkte anvendelsesområder kan føre til farlige situationer.


5. Service

- a) Lad kun en kvalificeret reparatør reparere dit elværktøj og kun med originale reservedele. Derved garanteres det, at elværktøjets sikkerhed bevares.

Sikkerhedsanvisninger specielt for produktet

Sikkerhedsanvisninger for alle savtyper

Savning

- a)  **FARE! Ræk aldrig hænderne ind i området, hvor du saver, og rør aldrig savklingen.** Hold i ekstragrebet eller motorhuset med den anden hånd. Hvis du holder saven med begge hænder, kan de ikke beskyldes af savklingen.
- b) **Ræk aldrig ind under emnet.** Beskyttelsesafdækningen kan ikke beskytte dig mod savklingen under emnet.
- c) **Tilpas skæredybden efter emnets tykkelse.** Der må højst være en hel tandhøjde synlig under emnet.
- d) **Hold aldrig emnet, som skal saves, fast med hånden, og læg det ikke over benet. Fastgør emnet i en stabil holder.** Det er vigtigt at fastgøre emnet ordentligt for at minimere risikoen for kropskontakt, fastklemning for savklingen eller tab af kontrol.
- e) **Hold fast i elværktøjet på de isolerede grebflader, når du udfører et arbejde, hvor de udkiftelige dele kan ramme skjulte strømledninger.** Kontakt med en spændingsførende ledning gør også elværktøjets metaldele spændingsførende og fører til elektrisk stød.
- f) **Anvend altid et anslag eller en lige kantføring ved savning på langs.** Det forbedrer nøjagtigheden og nedsætter risikoen for, at savklingen sætter sig fast.

- g) **Brug altid savklinger med den rigtige størrelse og med et optagshul, der passer (f.eks. stjerneformet eller rundt).** Savklinger, som ikke passer til savens monteringsdele, kører ujævnt og fører til tab af kontrol.
- h) **Anvend aldrig beskadigede eller forkerte underlagsskiver og skruer til savklingen.** Savklingens underlagsskiver og skruer er specielt konstrueret til saven med henblik på optimal ydelse og driftssikkerhed.

Yderligere sikkerhedsanvisninger for alle savtyper

Tilbageslag - årsager og tilhørende sikkerhedsanvisninger

- Et tilbageslag er den pludselige reaktion som følge af en fastklemt, blokeret eller forkert indstillet savklinge. Hvis saven ikke er under kontrol, medfører det, at den løfter sig op fra emnet i retning af betjeningspersonen;
 - Hvis savklingen sætter sig fast i savsnittet, fordi det lukker sig, blokerer den, og motorkraften slynger saven tilbage i retning af betjeningspersonen;
 - Hvis savklingen drejes eller vinkles forkert i savsnittet kan tænderne på savklingens bagkant sætte sig fast i arbejdsemnets overflade, hvorved savklingen bevæger sig ud af savsnittet og springer tilbage i retning af betjeningspersonen.
- Et tilbageslag er følgen af, at saven bruges forkert eller er defekt. Det kan forhindres med de nødvendige forholdsregler, som beskrives efterfølgende.

- a) **Hold godt fast i saven med begge hænder, og hold armene i en stilling, så du kan afværge tilbageslagskræfterne.** Hold dig altid på siden af savklingen; og anbring aldrig savklingen på linje med din krop. Ved et tilbageslag kan rundsaven hoppe tilbage, men ved at træffe egnede forholdsregler kan betjeningspersonen kontrollere tilbageslagskræfterne.

- b) Hvis savklingen sidder fast, eller du afbryder arbejdet, skal saven slukkes og holdes i ro i materialet, til savklingen står helt stille. Prøv aldrig på at tage saven ud af emnet eller at trække den tilbage, så længe savklingen roterer - i modsat fald kan det resultere i et tilbageslag. Find og afhjælp årsagen til fastklemningen af savklingen.
- c) Hvis du ønsker at genstarte en sav, som stadig sidder i emnet, skal du centrere savklingen i savsnittet og kontrollere, at savklængens tænder ikke sidder fast i emnet. Hvis savklingen sidder i klemme, kan den bevæge sig ud af emnet eller forårsage et tilbageslag, når saven genstartes.
- d) **Understøt store plader, så risikoen for tilbageslag på grund af en fastklemt savklinge formindskes.** Store plader kan bøjes på grund af deres egenvægt. Pladerne skal understøttes på begge sider, både i nærheden af savsnittet og langs kanten.
- e) **Anvend aldrig en sløv eller beskadiget savklinge.** Savklænger med sløve eller forkert justerede tænder forårsager øget friktion, fastklemning af savklingen og tilbageslag på grund af savorillen, der er for snæver.
- f) **Før savning skal indstillingerne for skæredybde og skærevinkel fastspændes.** Hvis du ændrer indstillingerne under savning, kan savklingen blive fastklemt, og der kan opstå et tilbageslag.
- g) **Vær særligt forsigtig ved savning i eksisterende vægge eller andre områder, hvor man ikke kan se, hvad man saver i.** Den indtrængende savklinge kan blokere ved savning i skjulte genstande og forårsage et tilbageslag.

Specifikke sikkerhedsanvisninger for denne sav

Den nederste beskyttelsesafdæknings funktion

- a) **Kontrollér altid, at den nederste beskyttelsesafdækning lukker korrekt før brug.** Brug aldrig saven, hvis den nederste beskyttelsesafdækning ikke bevæger sig frit og ikke lukker med det samme. Klem eller bind aldrig beskyttelsesafdækningen fast, da savklingen derved er ubeskyttet. Hvis saven ved et uheld falder ned, kan den nederste beskyttelsesafdækning blive bøjet. Sørg for, at beskyttelsesafdækningen bevæger sig frit og ikke berører savklingen eller andre dele i de forskellige skærevinkler og -dybder.
- b) **Kontrollér, at fjederen til beskyttelsesafdækningen fungerer.** Vent med at bruge produktet, hvis den nederste beskyttelsesafdækning og fjederen ikke fungerer korrekt. Beskadigede dele, klæbrige aflejringer eller ophobninger af spåner kan gøre den nederste beskyttelsesafdæknings funktion trægere.
- c) **Fastgør savens grundplade ved "dyksnit", som ikke udføres retvinklet, så grundpladen ikke flytter sig på siden.** Hvis grundpladen flytter sig på siden, kan savklingen sætte sig fast og dermed føre til tilbageslag.
- d) **Læg ikke saven på en arbejdsbænk eller på jorden, uden at den nederste beskyttelsesafdækning dækker savklingen.** En ubeskyttet savklinge, der stadig roterer, bevæger saven i modsat retning af snitretningen og saver alt, hvad der kommer i vejen. Vær opmærksom på savens efterløbstid.

Supplerende anvisninger:

- Brug ikke slibeskiver.
- Brug kun savklænger med diametre, der svarer til anvisningerne på saven.
- Ved bearbejdning af træ eller materialer, hvor der opstår sundhedsfarligt støv, skal der tilsluttes en afprøvet udsugningsanordning, der passer til forholdene.
- Bær altid støvmaske ved savning i træ.
- Brug kun anbefalede savklænger.

- Brug altid høreværn.
- Undgå overophedning af savklingens tænder.
- Undgå at smelte materialet ved savning i plast.

Kontrollér beskyttelsesafdækningen:

- Træk i tilbagetrækningsarmen til beskyttelsesafdækningen indtil anslag. Beskyttelsesafdækningen skal kunne bevæges uden at sætte sig fast, og når tilbagetrækningsarmen til beskyttelsesafdækningen slippes, skal den selv hoppe tilbage til udgangspositionen.

Rundsavsklinger (symboler)



Brug beskyttelseshandsker!



Brug åndedrætsbeskyttelse!



Bær beskyttelsesbriller!



Bær høreværn!

Sikkerhedsanvisninger til save-slibemaskiner

- a) Beskyttelsesafdækningen, som hører til elværktøjet, skal være anbragt sikkert og indstillet, så sikkerheden er bedst mulig, dvs. den mindste del af slibelegemet skal pege mod betjeningspersonen. Ophold dig uden for den roterende slibeskives område. Dette gælder også for personer, der befinder sig i nærheden. Beskyttelsesafdækningen skal beskytte betjeningspersonen mod småstykker og utilsigtet kontakt med slibelegemet.
- b) Brug kun diamantbelagte skiver til elværktøjet. Selv om tilbehøret kan sættes på elværktøjet, er det ingen garanti for, at anvendelsen af det er sikker.
- c) Det anvendte værktøjs tilladte omdrejningstal skal mindst være så højt som det angivne maksimale omdrejningstal på elværktøjet. Tilbehør, som kører hurtigere end tilladt, kan gå i stykker og flyve omkring.
- d) Slibelegemer må kun anvendes til de anbefalede anvendelsesmuligheder. For eksempel: Slib aldrig med den flade side af en skæreskive. Skæreskiver er beregnet til materialejernelse med skivens kant. Kraftpåvirkning på disse slibelegemer fra siden kan ødelægge dem.
- e) Brug altid en ubeskadiget spændeflange med den rigtige størrelse og form til den valgte slibeskive. Egnede flanger støtter slibeskiven og nedsætter risikoen for brud på slibeskiven.
- f) Brug ikke slidte slibeskiver fra større elværktøjer. Slibeskiver til større elværktøjer er ikke beregnet til de mindre elværktøjers højere omdrejningstal og kan derfor gå i stykker.
- g) Det anvendte værktøjs udvendige diameter og tykkelse skal svare til de angivne mål for elværktøjet. Forkert dimensionerede værktøjer kan ikke afskærmes eller kontrolleres i tilstrækkelig grad.
- h) Slibeskiverne og flangen skal passe helt nøjagtigt til elværktøjets slibespindel. Indsatsværktøjer, som ikke passer nøjagtigt til elværktøjets slibespindel, roterer uensartet, vibrerer meget og kan medføre tab af kontrol.
- i) Brug ikke beskadigede indsatsværktøjer. Kontrollér slibeskiverne for splinter og revner. Hvis elværktøjet eller slibeskiven falder ned, skal du kontrollere, om det eller den er gået i stykker eller anvende et ubeskadiget indsatsværktøj. Når du har kontrolleret slibeskiven og monteret den, skal du holde personer i nærheden borte fra det roterende indsatsværktøjs område og lade produktet køre et minut ved maksimalt omdrejningstal. Beskadigede slibeskiver går som regel i stykker i testperioden.

- j) Bær personligt beskyttelsesudstyr. Brug helmaskebeskyttelse, øjenbeskyttelse eller beskyttelsesbriller afhængigt af anvendelsen. Bær støvmaske, høreværn, beskytteshandsker eller specialforklæde, som holder små slibe- og materialepartikler på afstand af dig, hvis anvendelsesområdet kræver det. Øjnene skal beskyttes mod flyvende fremmedlegemer, som opstår ved mange forskellige anvendelser. Støv- og åndedrætsmasken skal filtrere støvet, der opstår ved anvendelsen. Hvis du udsættes for støj i længere tid, kan du få nedsat hørelse.
- k) Hold andre personer på sikker afstand af arbejdsområdet. Alle, som betræder arbejdsområdet, skal bære personligt beskyttelsesudstyr. Dele af emnerne eller ødelagte indsatsværktøjer kan flyve omkring og være årsag til kvæstelser uden for det direkte arbejdsområde.
- l) Hold fast i produktet på de isolerede grebflader, når du udfører et arbejde, hvor værktøjet kan ramme skjulte el-ledninger eller produktets egen ledning. Kontakt med en spændingsførende ledning kan også sætte produktdele af metal under spænding og medføre elektrisk stød.
- m) Hold ledningen borte fra roterende indsatsværktøjer. Hvis du mister kontrollen over produktet, kan ledningen overskæres eller indfanges, og din hånd eller arm kan komme ind i det roterende indsatsværktøj.
- n) Læg aldrig elværktøjet ned, før indsatsværktøjet er standset helt. Det roterende indsatsværktøj kan komme i kontakt med underlaget, og du kan derved miste kontrollen over elværktøjet.
- o) Lad ikke elværktøjet køre, mens du bærer rundt på det. Dit tøj kan fanges ind af en tilfældig kontakt med det roterende indsatsværktøj, og dette kan bore sig ind i din krop.
- p) Rengør regelmæssigt ventilationsåbningen på elværktøjet. Motorblæseren trækker støv ind i huset, og en større ansamling af metalstøv kan være årsag til elektriske risici.
- q) Brug ikke elværktøjet i nærheden af brandfarlige materialer. Disse materialer kan antændes af gnister.
- r) Brug ikke indsatsværktøj, som kræver flydende kølemidler. Anvendelse af vand og andre flydende kølemidler kan medføre elektrisk stød.

Yderligere sikkerhedsanvisninger til save-slibemaskiner

Tilbageslag og tilhørende sikkerhedsanvisninger

Tilbageslag er den pludselige reaktion på grund af en drejende slibeskive, som blokerer eller sætter sig fast. Hvis slibeskiven blokeres eller sætter sig fast, medfører det et pludseligt stop for det roterende indsatsværktøj. Det kan føre til, at elværktøjet (hvis der ikke er kontrol over det) bevæger sig i den modsatte retning af indsatsværktøjets rotationsretning på blokeringsstedet.

Hvis en slibeskive f.eks. sidder fast eller blokerer, kan slibeskvens kant, som er gået ned i emnet, sætte sig fast, og derved kan slibeskiven knække af eller forårsage et tilbageslag. Slibeskiven bevæger sig hen imod eller væk fra betjeningspersonen afhængigt af skivens omdrejningsretning på blokeringsstedet. Herved kan slibeskiven også gå i stykker.

Et tilbageslag finder sted som følge af forkert brug af elværktøjet. Det kan forhindres med de nødvendige forholdsregler, som beskrives efterfølgende.

- a) Hold godt fast i elværktøjet, og hold kroppen og armene i en stilling, så du kan afværge tilbageslagskræfterne. Brug altid det ekstra greb, hvis det findes, så du har bedst mulig kontrol over tilbageslagskræfterne eller reaktionsmomenterne ved opstart. Med egnede forholdsregler kan betjeningspersonen kontrollere tilbageslags- og reaktionskræfterne.
- b) Hold aldrig hånden i nærheden af de roterende indsatsværktøjer. Indsatsværktøjet kan bevæge sig hen over hånden ved tilbageslag.
- c) Undgå området foran og bag den roterende skæreskive. Tilbageslaget tvinger elværktøjet i den modsatte retning af slibeskvens bevægelse på blokeringsstedet.
- d) Arbejd særligt forsigtigt ved hjørner, skarpe kanter osv. Undgå, at indsatsværktøjet springer tilbage fra emnet og sætter sig fast. Det roterende indsatsværktøj har tendens til at sætte sig fast i hjørner, ved skarpe kanter, eller hvis det hopper tilbage fra disse. Det medfører tab af kontrol eller tilbageslag.

- e) Brug ikke kædeklinger eller fortandede savklinger og ingen segmenterede diamantklinger med mere end 10 mm brede riller. Denne type indsatsværktøjer er ofte årsag til tilbageslag eller tab af kontrol over elværktøjet.
- f) Undgå at blokere skæreskiven, og tryk ikke for hårdt. Udfør ikke snit, der er alt for dybe. Ved for dybe snit øges belastningen på skæreskiven og tendensen til fasthængning eller blokering og dermed risikoen for tilbageslag eller brud på slibelegemet.
- g) Hvis skæreskiven sidder fast, eller du afbryder arbejdet, skal produktet slukkes og holdes i ro, til skiven står helt stille. Prøv ikke at trække den kørende skæreskive ud af snittet, da det vil medføre et tilbageslag. Find og afhjælp årsagen til, at den sidder fast.
- h) Tænd ikke for elværktøjet, så længe det sidder fast i emnet. Lad først skæreskiven komme op på det fulde omdrejningstal, før snittet fortsættes. Ellers kan skiven sætte sig fast, hoppe ud af emnet eller forårsage et tilbageslag.
- i) Støt plader eller store emner, så risikoen for tilbageslag på grund af en fastklemt skæreskive formindskes. Store emner kan bøje sig på grund af deres egen vægt. Emnet skal støttes på begge sider af skiven – både i nærheden af skæresnittet og ved kanten.
- j) Vær særligt forsigtig ved udskæring af lommer i eksisterende vægge eller andre områder, hvor man ikke kan se, hvad man skærer i. En skæreskive, der går ind i væggen, kan forårsage tilbageslag ved skæring i gas- eller vandledninger, elektriske ledninger eller andre genstande.

Supplerende anvisninger

Tilladte skæreskivekonstruktioner:

Diamantbelagte, skivediameter 85 mm, skivetykkelse maks. 1,8 mm.

- Brug altid en støvmaske!
- Brug altid høreværn!

Originalt tilbehør / originalt ekstraudstyr

- Brug kun tilbehør og ekstraudstyr, som er angivet i betjeningsvejledningen, eller hvis optag er kompatibelt med elværktøjet.

Savklinge (symboler)



Bær høreværn!



Bær beskyttelsesbriller!



Brug sikkerhedssko!



Brug beskyttelseshandsker!



Brug åndedrætsbeskyttelse!



Ikke tilladt til vådslibning!



Tilladt diameter for værktøj

Sikkerhedsanvisninger til slibeværktøjer

a) Generelt

Slibeværktøjet kan meget nemt gå i stykker, og derfor skal det behandles med største forsigtighed. Anvendelse af beskadigede slibeværktøjer, der er spændt forkert eller sat forkert ind, er farligt og kan føre til alvorlige kvæstelser.

b) Håndtering, transport og opbevaring

Slibeværktøjer skal behandles og transporteres med stor forsigtighed. Slibeværktøjer skal opbevares, så de ikke udsættes for mekaniske skader eller miljøpåvirkning.

Pas på, livsfare på grund af elektrisk stød:

- Kontrollér regelmæssigt produktets, ledningens og stikkets tilstand. Brug ikke produkter med beskadigede dele. Åbn aldrig produktet. Beskadigede produkter, ledninger eller stik er ensbetydende med livsfare på grund af faren for elektrisk stød. Lad kun serviceafdelingen eller en elektriker udføre reparationer eller udskifte dele.
- Brug ikke produktet, hvis det er fugtigt og heller ikke i fugtige omgivelser.
- Når du arbejder udendørs, skal du tilslutte værktøjet via et fejlstrøms- (HFI)relæ med en udløserstrøm på maks. 30 mA. Brug kun en forlængerledning, der er godkendt til anvendelse udendørs.

BEMÆRK

- ▶ Hold altid ledningen på afstand af produktets funktionsområde, og hold den bagud og væk fra produktet.

Første brug

Tænd/sluk

Sådan tænder du:

- ◆ Stil TÆND- / SLUK-knappen **6** tilbage.

Sådan slukker du:

- ◆ Slip TÆND-/SLUK-knappen **6**.

Dykpærren løsnes

- ◆ Stil dykpærren **1** frem, og hold den nede.

Forvalg af skæredybde

BEMÆRK

- ▶ Vi anbefaler, at skæredybden så vidt muligt vælges ca. 2 mm større end materialetykkelsen. Derved opnår du et renere savsnit.

- ◆ Løsn hurtigspændearmen til valg af skæredybden **7**, og indstil den ønskede skæredybde på skalaen **7a**, og klem hurtigspændearmen fast igen.

Montering af parallelanslag

- ◆ Løsn skruen til parallelanslaget **11a** på grundpladen **9**, og sæt parallelanslaget **11** ind i optaget til parallelanslaget **10**. Skru skruen **11a** fast igen.

Håndtering af dyksaven

1. Indstil maskinen efter materialet, og tænd som beskrevet i kapitlet "Tænd / sluk".
2. Justér evt. maskinen på parallelanslaget **11** eller på en optegnet linje.
3. Sav med et middeltryk.

Savklingetyper:

De medfølgende savklingetyper dækker de almindeligste anvendelsesområder.

HW-rundsavsklinge 20 Z85 / 30:

Beskrivelse: ø 85 mm, 30 HQ-tænder egnet til: blødt træ, hårdt træ, plader af alle typer, plast

Savklinge med diamantbelægning 21 Z85VR:

Beskrivelse: ø 85 mm, klinge med hel kant egnet til: Keramik, plast

HS-rundsavsklinge 22 Z85 / 36:

Beskrivelse: ø 85 mm, 36 tænder - bukket til venstre / højre egnet til: Blødt træ, blødt metal som aluminium, kobber plast

Markering af snitlængde

- ◆ Brug markeringerne som hjælp til den maks. snitlængde 8 for at kontrollere, hvor snittet begynder eller slutter.

Markering af snitlinje

Vinduet snitlinje bruges til præcis føring af maskinen på snitlinjen, som er angivet på emnet.

- ◆ For at udføre et nøjagtigt snit efter mål skal maskinen sættes på emnet, så snitmarkeringen vises i vinduet snitlinje 12.

Tilslutning af spånudsugning

- ◆ Sæt udsugningsslangen 19 på tilslutningen til støvudsugningen 13.
- ◆ Tilslut en godkendt støv- og spånudsugning til udsugningsslangen 19.

Udskiftning af savklinge

1. Aktivér spindellåsen 14, og løsn spændeskruen 18 med unbraconøglen 15 (drej i urets retning for at åbne). Tag derefter spændeskruen med underlagsskiven 18 og spændelangen 17 af (se også fig. B).
2. Indstil snitdybden på den maksimale indstilling.
3. Drej grundpladen 9 op.
4. Tag savklingen 16 af.
5. Monter en ny savklinge i omvendt rækkefølge af den beskrevne .
6. Aktivér spindellåsen 14 (til den klikker på plads), og stram spændeskruen 18 med unbracoskruen.

- Pilen på savklingen skal stemme overens med pilen for rotationsretning ↻ (kørselsretning, markeret på produktet).

Rengøring og vedligeholdelse



ADVARSEL! FARE FOR PERSONSKADER! Før du arbejder med elværktøjet, skal du altid trække stikket ud af stikkontakten.

- Rengør produktet, når arbejdet er afsluttet.
- Brug kun en tør klud, og under ingen omstændigheder benzin, opløsningsmiddel eller rensmiddel.

Bortskaffelse



Emballagen består af miljøvenlige materialer, som kan bortskaffes på de lokale genbrugspladser.



Bortskaf ikke elværktøj sammen med husholdningsaffald!

I henhold til det europæiske direktiv 2012/19/EU skal kasseret elværktøj indsamles særskilt og afleveres til miljøvenligt genbrug.

Du kan få oplysninger hos kommunen om bortskaffelse af udfjente produkter.

Garanti

På dette produkt får du 3 års garanti fra købsdatoen. Produktet er produceret og testet omhyggeligt inden leveringen. Opbevar kassebonen som bevis for købet. Kontakt venligst serviceafdelingen telefonisk, hvis du ønsker at gøre brug af garantien. Derved garanteres det, at forsendelsen af varen er gratis.

Garantien gælder kun for materiale- og fabrikationsfejl og ikke for transportskader, sliddele eller skrøbelige dele som f.eks. kontakten eller genopladelige batterier. Produktet er kun beregnet til privat og ikke til erhvervmæssig brug. Ved misbrug og uhensigtsmæssig brug, anvendelse af vold og ved indgreb, som ikke er foretaget af vores autoriserede serviceafdeling, bortfalder garantien. Dine juridiske rettigheder forringes ikke af denne garanti. Garantiperioden forlænges ikke, hvis der gøres brug af garantien. Det gælder også for udskiftede og reparerede dele. Skader og mangler, som eventuelt forefindes allerede ved køb, skal straks anmeldes efter udpakning og senest to dage efter købsdatoen. Når garantiperioden er udløbet, er reparation af skader betalingspligtig.

Service

ADVARSEL!

- Få produktet repareret på et serviceværksted eller af en elektriker og kun med originale reservedele. Derved garanteres det, at produktets sikkerhed bevares.
- Lad altid produktets producent eller dennes kundeservice udskifte stikket eller ledningen. Derved garanteres det, at produktets sikkerhed bevares.

Service Danmark

Tel.: 32 710005

E-Mail: kompernass@lidl.dk

IAN 273278

Åbningstider for hotline: Mandag til fredag fra kl. 8.00 – kl. 20.00 (MET)

Importør

KOMPERNASS HANDELS GMBH

BURGSTRASSE 21

44867 BOCHUM

GERMANY

www.kompernass.com

Oversættelse af den originale overensstemmelseserklæring

Vi, KOMPERNASS HANDELS GMBH, dokumentansvarlig: Semi Uguzlu, BURGSTR. 21, D-44867 BOCHUM, TYSKLAND, erklærer hermed, at dette produkt stemmer overens med følgende standarder, standardiseringsdokumenter og EU-direktiver:

**Maskindirektivet
(2006 / 42 / EC)**

**Elektromagnetisk kompatibilitet
(2004 / 108 / EC)**

**RoHS-direktivet
(2011 / 65 / EU)**

Anvendte harmoniserede standarder:

EN 60745-1 / A11: 2010

EN 60745-2-5: 2010

EN 60745-2-22 / A11: 2013

EN 55014-1 / A2: 2011

EN 55014-2 / A2: 2008

EN 61000-3-2 / A2: 2009

EN 61000-3-3: 2013

Type/produktbetegnelse:

Dyksav PTS 500 A1

Produktionsår: 08-2015

Serienummer: IAN 273278

Bochum, 24-08-2015



Semi Uguzlu

- Kvalitetschef -

Vi forbeholder os ret til tekniske ændringer med henblik på videreudvikling.

Table des matières

Introduction	30
Utilisation conforme à l'usage prévu	30
Équipement	30
Matériel livré	30
Caractéristiques techniques	30
Avertissements de sécurité généraux pour l'outil	31
1. Sécurité de la zone de travail	31
2. Sécurité électrique	31
3. Sécurité des personnes	32
4. Utilisation et entretien de l'outil	32
5. Maintenance et entretien	33
Avertissements de sécurité spécifiques à l'outil	33
Instructions de sécurité spécifiques pour toutes les scies	33
Instructions de sécurité supplémentaires pour toutes les scies	33
Consignes de sécurité spécifiques pour la scie	34
Consignes de sécurité pour tronçonneuses à disque	35
Consignes de sécurité supplémentaires pour applications avec disque abrasif	36
Instructions complémentaires	37
Accessoires d'origine / Équipements supplémentaires d'origine	38
Consignes de sécurité pour outils de meulage	38
Mise en service	39
Allumer et éteindre	39
Débloquer la butée de plongée	39
Réglage de la profondeur de coupe	39
Montage de la butée parallèle	39
Maniement de la scie plongeante	39
Marquage de la longueur de coupe	39
Marquage du trait de coupe	39
Raccordement de l'aspiration des copeaux	39
Changement de lame	39
Nettoyage et maintenance	40
Mise au rebut	40
Garantie	40
Maintenance	41
Importateur	41
Traduction de la déclaration de conformité originale	41

SCIE CIRCULAIRE PTS 500 A1

Introduction



Félicitations pour l'achat de votre nouvel appareil. Vous venez ainsi d'opter pour un produit de grande qualité.

Le mode d'emploi fait partie de ce produit.

Il contient des remarques importantes concernant la sécurité, l'usage et la mise au rebut. Avant d'utiliser le produit, veuillez vous familiariser avec toutes les consignes d'utilisation et de sécurité. N'utilisez le produit que conformément aux consignes et pour les domaines d'utilisation prévus. Si vous cédez le produit à un tiers, remettez-lui également tous les documents.

Utilisation conforme à l'usage prévu

Cette machine est destinée de préférence à scier en plongée, en appui ferme, les sections longitudinales et transversales des matériaux suivants : bois massif, panneaux d'agglomérés, contreplaqué, aluminium, carrelages, la pierre, le plastique et les matériaux de construction légers. Veuillez noter que la lame de scie pré-installée n'est adaptée qu'au sciage du bois. Toute utilisation autre ou modification de la machine est considérée comme étant non conforme et s'accompagne de risques d'accident non négligeables. Ne convient pas pour un usage commercial.

Équipement

- 1 Butée mécanique de plongée
- 2 D'allumage et voyant de contrôle
- 3 Cordon d'alimentation
- 4 Ouïes de ventilation
- 5 Cache des brosses à charbon
- 6 Interrupteur MARCHE/ARRÊT
- 7 Sélection de la profondeur de coupe
- 7a Graduation pour la profondeur de coupe
- 8 Marquages de la longueur de coupe
- 9 Plaque de base
- 10 Logement de la butée parallèle
- 11 Butée parallèle
- 11a Vis de la butée parallèle
- 12 Regard sur la ligne de coupe
- 13 Embout pour aspiration de poussière
- 14 Dispositif de retenue de broche

- 15 Clé à six pans creux
- 16 lame de scie
- 17 Flasque de bridage
- 18 Vis de serrage et rondelle
- 19 Flexible d'aspiration
- 20 lame de scie circulaire HW Z85 / 30
- 21 Disque diamanté Z85VR
- 22 lame de scie circulaire HS Z85 / 36

Matériel livré

- 1 Scie circulaire PTS 500 A1
- 1 lame de scie circulaire HW Z85 / 30
- 1 Disque diamanté Z85VR
- 1 lame de scie circulaire HS Z85 / 36
- 1 Butée parallèle
- 1 Flexible d'aspiration
- 1 Clé à six pans
- 1 Mallette de transport
- 1 Mode d'emploi

Caractéristiques techniques

Puissance nominale :	500 W
Tension nominale :	230 V~, 50 Hz
Régime à vide :	n_0 4500 min ⁻¹
Profondeur de coupe max. :	25 mm
Classe de protection :	II/□

Informations relatives aux bruits et aux vibrations :

Valeur de mesure du bruit déterminée conformément à la norme EN 60745. Le niveau de bruit A pondéré typique de l'outil électrique est de :

Niveau de pression acoustique :	82 dB(A)
Niveau de puissance acoustique :	93 dB(A)
Incertitude K :	3 dB



Porter une protection auditive !

Accélération évaluée, typiquement :

Vibration main/ bras a_h =	2,266 m/s ²
Incertitude K =	1,5 m/s ²

⚠ ATTENTION !

- Le niveau de vibrations indiqué dans les présentes instructions a été mesuré conformément aux méthodes de mesure décrites dans la norme EN 60745 et peut être utilisé pour comparer des appareils. La valeur de vibrations déclarée peut également être utilisée pour une évaluation préliminaire de l'exposition. Le niveau des vibrations varie en fonction de l'usage de l'outil électrique et peut, dans certains cas, excéder la valeur indiquée dans ces instructions. La sollicitation vibratoire pourrait être sous-estimée si l'outil électrique est utilisé régulièrement de cette manière.

REMARQUE

- ▶ Afin d'obtenir une estimation précise de la sollicitation due aux vibrations pendant un certain temps de travail, il convient également de tenir compte des périodes pendant lesquelles l'appareil est éteint, ou allumé mais sans être effectivement utilisé. Ceci peut considérablement réduire la sollicitation due aux vibrations pendant toute la durée du travail.



Avertissements de sécurité généraux pour l'outil

⚠ AVERTISSEMENT !

- ▶ Lire tous les avertissements de sécurité et toutes les instructions. Ne pas suivre les avertissements et instructions peut donner lieu à un choc électrique, un incendie et/ou une blessure sérieuse.

Conserver tous les avertissements et toutes les instructions pour pouvoir s'y reporter ultérieurement.

Le terme "outil" dans les avertissements fait référence à votre outil électrique alimenté par le secteur (avec cordon d'alimentation) ou à votre outil fonctionnant sur batterie (sans cordon d'alimentation).

1. Sécurité de la zone de travail

- a) **Conserver la zone de travail propre et bien éclairée.** Les zones en désordre ou sombres sont propices aux accidents.
- b) **Ne pas faire fonctionner les outils électriques en atmosphère explosive, par exemple en présence de liquides inflammables, de gaz ou de poussières.** Les outils électriques produisent des étincelles qui peuvent enflammer les poussières ou les fumées.
- c) **Maintenir les enfants et les personnes présentes à l'écart pendant l'utilisation de l'outil.** Les distractions peuvent vous faire perdre le contrôle de l'outil.

2. Sécurité électrique

- a) **Les fiches électriques de l'outil électrique doivent être adaptées au socle. Ne jamais modifier la fiche de quelque façon que ce soit.**
Ne pas utiliser d'adaptateurs avec des outils à branchement de terre. Des fiches non modifiées et des socles adaptés réduiront le risque de choc électrique.
- b) **Éviter tout contact du corps avec des surfaces reliées à la terre telles que les tuyaux, les radiateurs, les cuisinières et les réfrigérateurs.** Il existe un risque accru de choc électrique si votre corps est relié à la terre.
- c) **Ne pas exposer les outils électriques à la pluie ou à des conditions humides.** La pénétration d'eau à l'intérieur d'un outil augmentera le risque de choc électrique.
- d) **Ne pas maltraiter le cordon. Ne jamais utiliser le cordon pour porter, tirer ou débrancher l'outil. Maintenir le cordon à l'écart de la chaleur, du lubrifiant, des arêtes ou des parties en mouvement.** Des cordons endommagés ou emmêlés augmentent le risque de choc électrique.
- e) **Lorsqu'on utilise un outil à l'extérieur, utiliser un prolongateur adapté à l'utilisation extérieure.** L'utilisation d'un cordon adapté à l'utilisation extérieure réduit le risque de choc électrique.

- f) Si l'usage d'un outil dans un emplacement humide est inévitable, utiliser une alimentation protégée par un dispositif à courant différentiel résiduel (RCD). L'usage d'un RCD réduit le risque de choc électrique.

3. Sécurité des personnes

- a) Rester vigilant, regarder ce que vous êtes en train de faire et faire preuve de bon sens dans votre utilisation de l'outil. Ne pas utiliser d'outil électrique lorsque vous êtes fatigué ou sous l'emprise de drogues, d'alcool ou de médicaments. Un moment d'inattention en cours d'utilisation d'un outil peut entraîner des blessures graves des personnes.
- b) Utiliser un équipement de sécurité. Toujours porter une protection pour les yeux. Les équipements de sécurité tels que les masques contre les poussières, les chaussures de sécurité antidérapantes, les casques ou les protections acoustiques utilisés pour les conditions appropriées réduiront les blessures de personnes.
- c) Éviter tout démarrage intempestif. S'assurer que l'interrupteur est en position arrêt avant de brancher l'outil au secteur et/ou au bloc de batteries, de le ramasser ou de le porter. Porter les outils en ayant le doigt sur l'interrupteur ou brancher des outils dont l'interrupteur est en position marche est source d'accidents.
- d) Retirer toute clé de réglage avant de mettre l'outil en marche. Une clé laissée fixée sur une partie tournante de l'outil peut donner lieu à des blessures de personnes.
- e) Ne pas se précipiter. Garder une position et un équilibre adaptés à tout moment. Cela permet un meilleur contrôle de l'outil dans des situations inattendues.
- f) S'habiller de manière adaptée. Ne pas porter de vêtements amples ou de bijoux. Garder les cheveux, les vêtements et les gants à distance des parties en mouvement. Des vêtements amples, des bijoux ou les cheveux longs peuvent être pris dans des parties en mouvement.

- g) Si des dispositifs sont fournis pour le raccordement d'équipements pour l'extraction et la récupération des poussières, s'assurer qu'ils sont connectés et correctement utilisés. Utiliser des collecteurs de poussière peut réduire les risques dus aux poussières.

4. Utilisation et entretien de l'outil

- a) Ne pas forcer l'outil. Utiliser l'outil adapté à votre application. L'outil adapté réalisera mieux le travail et de manière plus sûre au régime pour lequel il a été construit.
- b) Ne pas utiliser l'outil si l'interrupteur ne permet pas de passer de l'état de marche à arrêt et vice versa. Tout outil qui ne peut pas être commandé par l'interrupteur est dangereux et il faut le réparer.
- c) Débrancher la fiche de la source d'alimentation en courant et/ou le bloc de batteries de l'outil avant tout réglage, changement d'accessoires ou avant de ranger l'outil. De telles mesures de sécurité préventives réduisent le risque de démarrage accidentel de l'outil.
- d) Conserver les outils à l'arrêt hors de la portée des enfants et ne pas permettre à des personnes ne connaissant pas l'outil ou les présentes instructions de le faire fonctionner. Les outils sont dangereux entre les mains d'utilisateurs novices.
- e) Observer la maintenance de l'outil. Vérifier qu'il n'y a pas de mauvais alignement ou de blocage des parties mobiles, des pièces cassées ou toute autre condition pouvant affecter le fonctionnement de l'outil. En cas de dommages, faire réparer l'outil avant de l'utiliser. De nombreux accidents sont dus à des outils mal entretenus.
- f) Garder affûtés et propres les outils permettant de couper. Des outils destinés à couper correctement entretenus avec des pièces coupantes tranchantes sont moins susceptibles de bloquer et sont plus faciles à contrôler.
- g) Utiliser l'outil, les accessoires et les lames etc., conformément à ces instructions, en tenant compte des conditions de travail et du travail à réaliser. L'utilisation de l'outil pour des opérations différentes de celles prévues pourrait donner lieu à des situations dangereuses.


5. Maintenance et entretien

- a) Faire entretenir l'outil par un réparateur qualifié utilisant uniquement des pièces de rechange identiques. Cela assurera que la sécurité de l'outil est maintenue.

Avertissements de sécurité spécifiques à l'outil

Instructions de sécurité spécifiques pour toutes les scies

Procédures de coupe

- a)  **DANGER ! N'approchez pas les mains de la zone de coupe et de la lame.** Gardez la deuxième main sur la poignée auxiliaire ou sur le boîtier du moteur. Si les deux mains tiennent la scie, elles ne peuvent pas être coupées par la lame.
- b) **N'exposez aucune partie de votre corps sous la pièce à travailler.** Le capot protecteur ne peut pas vous protéger de la lame sous la pièce à travailler.
- c) **Ajustez la profondeur de coupe sur l'épaisseur de la pièce à travailler.** Il convient que moins de la totalité d'une dent parmi toutes les dents de la lame soit visible sous la pièce à travailler.
- d) **Ne tenez jamais la pièce à débiter dans vos mains ou sur vos jambes. Assurez-vous que la pièce à travailler se trouve sur une plateforme stable.** Il est important de bien fixer la pièce à usiner afin de minimiser les risques de contact, de coincement de la lame ou de perte de contrôle.
- e) **Tenir l'outil par les surfaces de préhension isolées, lors de la réalisation d'une opération au cours de laquelle le dispositif de serrage peut entrer en contact avec un câblage non apparent ou son propre cordon d'alimentation.** Le contact avec un fil "sous tension" mettra également "sous tension" les parties métalliques exposées de l'outil et pourra provoquer un choc électrique à l'opérateur.
- f) **Lors d'une coupe longitudinale, utilisez toujours un guide parallèle ou un guide à bords droits.** Cela améliore la précision de la coupe et réduit les risques de grippage de la lame.

- g) **Utilisez toujours des lames dont la taille et la forme des alésages centraux (en étoile ou arrondi) sont convenables.** Les lames qui ne correspondent pas aux éléments de montage de la scie ne fonctionneront pas bien et provoqueront une perte de contrôle.
- h) **N'utilisez jamais de rondelles ou de boulons de lames endommagés ou inadaptés.** Les rondelles et les boulons de lames ont été spécialement conçus pour votre scie, afin de garantir une performance optimale et une sécurité de fonctionnement.

Instructions de sécurité supplémentaires pour toutes les scies.

Causes du recul et mises en garde correspondantes :

- Le recul est une réaction soudaine observée sur une lame de scie pincée, bloquée ou mal alignée, faisant sortir la scie de la pièce à travailler de manière incontrôlée dans la direction de l'opérateur;
- Lorsque la lame est pincée ou bloquée fermement par le fond du trait de scie, la lame se bloque et le moteur renvoie brutalement l'appareil en direction de l'opérateur;
- Si la lame se tord ou est mal alignée lors de la coupe, les dents sur le bord arrière de la lame peuvent se planter dans la face supérieure du bois, la lame sort brutalement du trait de scie puis la scie est projetée vers l'opérateur.

Le recul est le résultat d'un mauvais usage de la scie et/ou de procédures ou de conditions de fonctionnement incorrectes. Des mesures de prudence adaptées, comme celles décrites ci-dessous, permettent de l'éviter :

- a) **Saisir fermement la scie à deux mains et positionner les bras de manière à pouvoir résister à un recul brutal.** Positionnez votre corps sur un côté de la lame et pas dans l'alignement celle-ci. Le recul peut faire revenir la scie en arrière, mais les forces de recul peuvent être maîtrisées par l'opérateur si les précautions adéquates sont prises.

- b) Lorsque la lame est grippée ou lorsqu'une coupe est interrompue pour quelque raison que ce soit, relâchez le bouton de commande et maintenez la scie immobile dans le matériau jusqu'à ce que la lame arrête complètement de tourner. N'essayez jamais de retirer la lame de la pièce à scier ou de tirer la scie en arrière tant que la lame est en mouvement car un recul brutal peut se produire. Recherchez et prenez des mesures correctives afin d'empêcher que la lame ne se grippe.
- c) Si vous voulez faire redémarrer une scie dont la lame se trouve dans la pièce à travailler, centrez la lame de scie dans le trait de scie et vérifiez que les dents de la scie ne sont pas plantées dans le matériau. Si la lame de scie est grippée, elle peut venir chevaucher la pièce à travailler ou en sortir lorsque la scie est remise en fonctionnement.
- d) **Étayer les grands panneaux afin de réduire les risques de recul dus à un coincement de la lame.** Les grands panneaux ont tendance à fléchir sous leur propre poids. Les supports doivent être placés sous les panneaux des deux côtés, près du trait de scie et près du bord du panneau.
- e) **N'utilisez pas de lames émoussées ou endommagées.** Des lames aux dents émoussées ou mal alignées rétrécissent le trait de scie, le frottement augmente, la lame grippe et un recul brutal se produit.
- f) **La profondeur de la lame et les leviers de verrouillage et de réglage du biseau doivent être solides et stables avant de réaliser la coupe.** Si l'ajustement de la lame dérive pendant la coupe, cela peut provoquer un grippage et un recul.
- g) **Soyez d'autant plus prudent lorsque vous découpez des parois existantes ou d'autres zones sans visibilité.** La partie plongeante de la lame peut se bloquer en sciant dans des objets invisibles et provoquer un recul brutal.

Consignes de sécurité spécifiques pour la scie

Fonction du capot de protection inférieur :

- a) Avant chaque utilisation, vérifiez que le capot protecteur se ferme impeccablement. N'utilisez pas la scie si le capot protecteur inférieur ne se déplace pas librement et ne se ferme pas instantanément. N'empêchez jamais le capot protecteur de se mouvoir librement : la lame de scie serait à nu. Si la scie chute sur le sol, cela risque de voiler le capot protecteur. Assurez-vous que le capot se déplace librement et qu'il ne touche ni la lame de scie ni d'autres pièces quels que soient les angles et profondeurs de coupe.
- b) **Vérifiez l'état et le fonctionnement du ressort du capot protecteur. Si le capot protecteur et le ressort ne fonctionnent pas correctement, faites réviser la scie avant utilisation.** Le capot protecteur inférieur peut réagir lentement en raison d'éléments endommagés, de dépôts collants ou d'accumulation de copeaux.
- c) **Pendant une "coupe plongeante" non réalisée à la verticale, veillez à ce que la plaque de base de la scie ne puisse pas se déplacer latéralement.** Un déplacement latéral peut provoquer un coincement, donc un recul brutal, de la lame de scie.
- d) **Ne déposez pas la scie sur l'établi ou le sol si le capot protecteur ne recouvre pas la lame.** Une lame non protégée et continuant à tourner par inertie entraînera la scie en arrière, et tranchera tout ce qui se trouve sur son passage. Soyez conscient du temps nécessaire à la lame pour s'arrêter après que l'interrupteur est relâché.

Instructions supplémentaires :

- Ne pas utiliser de meules.
- Utiliser seulement des lames dont les diamètres correspondent aux inscriptions figurant sur la scie.
- En cas d'usinage du bois ou de matériaux dégagant des poussières nocives, il convient de raccorder un dispositif d'aspiration adéquat et homologué à l'appareil.
- Porter un masque anti-poussière en sciant du bois.

- Utiliser uniquement les lames de scie recommandées.
- Toujours porter une protection auditive.
- Éviter toute surchauffe des crêtes des dents de scie.
- Éviter de faire fondre le plastique lors de son sciage.

Vérifier le capot protecteur :

- Tirez le levier de recul du capot protecteur jusqu'à la butée. Le capot protecteur doit se déplacer sans se coincer et revenir de lui-même rapidement en position de départ après avoir relâché le levier.

Lames de scie circulaire (symboles)



Porter des gants de protection !



Porter une protection respiratoire !



Porter des lunettes de protection !



Porter une protection auditive !

Consignes de sécurité pour tronçonneuses à disque

- a) Le capot protecteur solidaire de l'outil électrique doit avoir été fixé de manière sûre et ajusté de sorte à atteindre un summum de sécurité ; en d'autres termes : seule une très petite partie du disque abrasif regarde en direction de l'opérateur. Tenez-vous, vous et les personnes situées près de vous, hors du plan de rotation du disque abrasif. Le capot de protection doit protéger l'opérateur des fragments et d'un contact aléatoire avec le disque abrasif.
- b) Sur votre outil électrique, utilisez uniquement des disques abrasifs diamantés. Le simple fait de pouvoir fixer l'accessoire à l'outil électrique ne garantit pas une utilisation sûre.
- c) Le nombre de tours autorisé de l'outil d'intervention doit être au moins aussi élevé que le nombre de tours maximal indiqué sur l'outil électrique. Les accessoires qui tournent plus rapidement qu'autorisé peuvent se briser et voler en éclats.
- d) Les disques abrasifs ne doivent être utilisés que dans le cadre des possibilités d'utilisation recommandées.
Par exemple : ne meulez jamais avec la surface latérale d'une meule à tronçonner. Les meules à tronçonner sont conçues pour un enlèvement de matériaux avec le bord du disque. Une influence de force latérale sur cette meule risque de la briser.
- e) Utilisez toujours des flasques de serrage intacts, de taille et de forme adaptée au disque abrasif que vous avez choisi. Des flasques adaptés soutiennent le disque abrasif et réduisent ainsi le risque d'une cassure du disque.
- f) N'utilisez jamais de disques abrasifs usés provenant d'outils électriques de plus grande taille. Les meules abrasives des outils électriques de plus grande taille ne sont pas conçues pour les vitesses élevées d'outils électriques de plus petite dimension et risquent de casser.
- g) Le diamètre extérieur et l'épaisseur de l'outil d'intervention doivent correspondre aux dimensions indiquées de votre outil électrique. Les outils d'intervention mal dimensionnés ne peuvent pas être suffisamment protégés ou contrôlés.
- h) Les disques abrasifs et les brides doivent être exactement adaptés à la broche de votre outil électrique. Les outils mis en œuvre qui ne correspondent pas exactement à la broche de votre outil électrique tournent irrégulièrement, vibrent très fortement et peuvent ainsi vous faire perdre le contrôle de ce dernier.

- i) N'utilisez jamais de disques abrasifs endommagés. Avant chaque utilisation de disques abrasifs, contrôlez s'ils présentent des ébréchures et fissures. Si l'outil électrique ou le disque abrasif chute, vérifiez s'il est endommagé ou utilisez un disque abrasif intact. Après avoir contrôlé le disque abrasif, tenez-vous, ainsi que les personnes se trouvant à proximité, hors du plan de rotation du disque abrasif puis allumez l'appareil et laissez-le tourner une minute à plein régime. C'est au cours de cette période d'essai que, la plupart du temps, les disques abrasifs se brisent.
- j) Portez un équipement de protection individuelle. En fonction de l'utilisation, utilisez une protection faciale intégrale, une protection oculaire ou des lunettes de protection. Dans la mesure du nécessaire, portez un masque anti-poussière, une protection auditive, des gants de protection ou un tablier spécial qui tiennent éloignées les particules de meulage et de matériel. Les yeux doivent être protégés des projections de corps étrangers apparaissant lors de différentes utilisations. Un masque anti-poussière ou respiratoire doit filtrer la poussière créée lors de l'utilisation. Si vous êtes exposé à un bruit important durant une longue période, vous risquez d'être atteint d'une perte auditive.
- k) Veillez à ce que d'autres personnes respectent une distance de sécurité par rapport à votre périmètre de travail. Toute personne pénétrant dans le périmètre de travail doit porter un équipement de protection individuel. Des fragments de la pièce à travailler ou des outils d'intervention brisés peuvent voler et causer des blessures également en dehors du périmètre de travail immédiat.
- l) Ne tenez l'appareil que par ses surfaces de préhension isolées lorsque vous effectuez des travaux dans lesquels l'outil d'intervention peut toucher des lignes électriques ou le propre cordon d'alimentation de l'appareil. Le contact avec une ligne conductrice de courant peut également mettre les parties métalliques de l'appareil sous tension et provoquer un choc électrique.
- m) Maintenez le cordon d'alimentation loin d'outils d'intervention rotatifs. Si vous perdez le contrôle de l'appareil, le cordon secteur peut être sectionné ou happé et votre main ou bras peut entrer brutalement en contact avec l'outil d'intervention.
- n) Ne déposez jamais l'outil électrique tant que l'outil d'intervention ne s'est pas entièrement immobilisé. L'outil d'intervention rotatif peut entrer en contact avec la surface d'appui, vous faisant perdre le contrôle de l'outil électrique.
- o) Attendez toujours que l'outil électrique ait cessé de tourner avant de le transporter. Vos vêtements risquent d'être happés par l'outil d'intervention en rotation et l'outil d'intervention peut pénétrer dans votre corps.
- p) Nettoyez régulièrement les ouïes de ventilation de votre outil électrique. La soufflerie moteur attire la poussière dans le carter, et une accumulation importante de poussière métallique peut causer des risques électriques.
- q) N'utilisez pas l'outil électrique à proximité de matériaux combustibles. Les étincelles risquent d'enflammer ces matériaux.
- r) N'utilisez pas d'outils d'intervention qui nécessitent des réfrigérants liquides. L'utilisation d'eau ou d'autres réfrigérants liquides peut entraîner un choc électrique.

Consignes de sécurité supplémentaires pour applications avec disque abrasif

Recul brutal et consignes de sécurité correspondantes

Le recul brutal est la réaction subite d'un disque abrasif en rotation qui vient d'accrocher un obstacle ou qui se bloque. Cet accrochage ou blocage provoque une immobilisation brutale de l'outil d'intervention qui était en train de tourner. De ce fait, l'outil électrique, s'il n'est pas fermement tenu en main, subit une accélération brutale en sens opposé de celui de l'outil d'intervention.

Si par exemple un disque abrasif accroche dans la pièce ou se bloque, la partie du disque qui plonge dans la pièce risque de se coincer, le disque risque de s'ébrécher ou de provoquer un recul brutal. Le disque peut sauter en direction de l'opérateur ou encore en s'en éloignant, selon le sens du mouvement de la pièce au point de pincement. Le disque abrasif peuvent également se rompre dans ces conditions.

Un recul brutal résulte d'une utilisation incorrecte ou inappropriée de l'outil électrique. Des mesures de prudence adaptées, comme celles décrites ci-dessous, permettent de l'éviter :

- a) **Saisir fermement l'outil électrique et positionner votre corps et vos bras de manière à pouvoir résister à un recul brutal. Utilisez toujours la poignée supplémentaire, si présente, pour maîtriser le mieux possible les forces de recul ou les moments de réaction au démarrage.** L'opérateur peut maîtriser les forces de recul et de réaction grâce à des mesures de prudence adaptées.
- b) **Ne placez jamais les mains à proximité d'outils d'intervention en rotation.** En cas de recul, l'outil d'intervention peut se déplacer au-dessus de votre main.
- c) **Évitez la zone située devant et derrière le disque abrasif.** Au point de blocage, le recul entraîne l'outil électrique dans la direction opposée à celle de rotation du disque.
- d) **Travaillez de manière particulièrement prudente au niveau des angles, des bords tranchants etc. Évitez que les outils d'intervention rebondissent de la pièce à usiner et se coincent.** L'outil d'intervention en rotation a tendance à se coincer dans les angles, sur des arêtes vives ou lorsqu'il rebondit. Ceci entraîne une perte de contrôle ou un recul brutal.
- e) **N'utilisez pas de lame de tronçonneuse, de lame de scie ou lame diamantée dont les espaces inter-dents font plus de 10 mm de largeur.** De tels outils d'intervention provoquent un recul brutal ou font perdre le contrôle de l'outil électrique.

- f) **Évitez que le disque abrasif se bloque et de lui imposer une pression d'applique excessive. N'effectuez pas de coupes trop profondes.** Une surcharge du disque abrasif en augmente la sollicitation, la sensibilité au coincement ou au blocage, donc l'éventualité d'un recul brutal ou d'un bris du disque abrasif.
- g) **En cas de coincement du disque abrasif ou d'interruption des travaux, éteindre l'appareil et le maintenir tranquillement jusqu'à l'arrêt complet de la pièce. N'essayez jamais de retirer le disque abrasif en rotation du trait de scie ; il y a sinon un risque de recul brutal.** Identifiez la cause du coincement et éliminez-la.
- d) **Ne réactivez jamais l'outil électrique tant qu'il se trouve dans la pièce à travailler. Laissez le disque abrasif atteindre sa pleine vitesse de rotation avant de poursuivre la coupe avec précaution.** Sans quoi le disque risque de s'accrocher, de sauter hors de la pièce à usiner ou de provoquer un recul brutal.
 - i) **Étayez les panneaux ou les grandes pièces à usiner afin de réduire le risque de recul dû à un coincement de la meule à tronçonner.** Les grandes pièces à usiner peuvent fléchir sous leur propre poids. La pièce doit être soutenue sur les deux côtés du disque abrasif, à savoir aussi bien à proximité de la fente de tronçonnage que sur les bords extérieurs de la pièce.
 - j) **Soyez particulièrement prudent au moment de pratiquer des "saignées" dans des murs existants ou des zones sans visibilité.** Le disque abrasif plongeant peut provoquer un recul en tranchant des conduites d'eau ou de gaz, des lignes électriques ou d'autres objets.

Instructions complémentaires

Conceptions de disques abrasifs admises :

Disques diamantés de 85 mm de diamètre Épaisseur du disque 1,8 mm max.

- Portez toujours un masque anti-poussière !
- Portez toujours une protection auditive !

Accessoires d'origine / Équipements supplémentaires d'origine

- Utilisez uniquement les accessoires et équipements supplémentaires spécifiés dans le mode d'emploi ou dont le réceptacle est compatible avec l'appareil.

Disque abrasif (symbole)



Porter une protection auditive !



Porter des lunettes de protection !



Porter des gants de sécurité !



Porter des gants de protection !



Porter une protection respiratoire !



Pas admis pour la rectification sous arrosage !



Diamètre admis des outils

Consignes de sécurité pour outils de meulage

a) Généralités

Les outils de meulage sont sensibles à la cassure, d'où la nécessité de les manier avec beaucoup de soin. L'utilisation d'outils de meulage endommagés, incorrectement serrés ou mis en place est dangereuse et peut provoquer des blessures graves.

b) Maniement, transport et stockage

Les outils de meulage doivent être traités et transportés avec soin. Les outils de meulage doivent être stockés de manière à n'être exposés à aucune détérioration mécanique ou influence environnementale néfaste.

Évitez de vous exposer à un danger de mort par choc électrique :

- Contrôlez régulièrement l'état de l'appareil, du cordon secteur et de la fiche secteur. Ne mettez jamais en service des appareils présentant des pièces endommagées de la sorte. N'ouvrez jamais l'appareil. Les appareils, cordons secteur ou fiches mâles endommagés créent un danger de mort par choc électrique. Ne confiez les travaux de réparation ou de remplacement qu'au service après-vente ou à un électricien agréé.
- N'utilisez pas l'appareil lorsqu'il est humide et dans un environnement humide.
- Lorsque vous travaillez en plein air, raccordez l'appareil à un disjoncteur différentiel qui se déclenche à 30 mA maximum. Utilisez exclusivement une rallonge homologuée pour l'extérieur.

REMARQUE

- Maintenez toujours le cordon secteur éloigné de l'aire opérationnelle de l'appareil ; ce cordon doit s'éloigner de l'appareil par l'arrière.

Mise en service

Allumer et éteindre

Allumer :

- ◆ Tirez l'interrupteur MARCHE / ARRÊT **6** en arrière.

Éteindre :

- ◆ Relâchez l'interrupteur MARCHE / ARRÊT **6**.

Débloquer la butée de plongée

- ◆ Poussez la butée de plongée **1** en avant et maintenez-la appuyée.

Réglage de la profondeur de coupe

REMARQUE

- ▶ Nous recommandons de régler si possible une profondeur de coupe supérieure d'env. 2 mm à l'épaisseur du matériau scié. Vous obtiendrez ainsi une coupe nette.
- ◆ Desserrez le levier de serrage rapide affecté au réglage de la profondeur de coupe **7** et ajustez la profondeur de coupe souhaitée sur l'échelle **7a**; ensuite, rebridez fermement le levier de serrage.

Montage de la butée parallèle

- ◆ Desserrez la vis de la butée parallèle **11a** sur la plaque de base **9** puis introduisez la butée parallèle **11** dans le logement à cet effet **10**. Ensuite, resserrez cette vis à fond **11a**.

Maniement de la scie plongeante

1. Posez la machine sur le matériau et allumez-la comme décrit au chapitre "Allumer et éteindre".
2. Alignez le cas échéant la machine sur la butée parallèle **11** ou sur une ligne marquée.
3. Sciez en exerçant une poussée modérée.

Types de lames de scie :

Les types de scie livrés d'origine couvrent les domaines d'application les plus courants.

Lame de scie circulaire HW **20** Z85 / 30 :

Description : ø 85 mm, 30 dents HW, pour : bois tendre, bois dur, panneaux de toutes sortes, matières plastiques

Disque de tronçonnage diamanté **21** Z85VR :

Description : ø 85 mm, disque à bord non denté, pour : céramique, matières plastiques

Lame de scie circulaire HS **22** Z85 / 36 :

Description : ø 85 mm, 36 dents avoyées gauche / droite, pour : bois tendre, métal mou comme l'aluminium, le cuivre, matières plastiques

Marquage de la longueur de coupe

- ◆ Orientez-vous aux marquages de la longueur de coupe max. **8** pour vérifier où votre coupe commence et prend fin.

Marquage du trait de coupe

Le regard sur le trait de coupe sert à guider la machine de manière précise selon le trait appliqué sur la pièce à scier.


- ◆ Pour un sciage aux dimensions précises, posez la machine sur la pièce de telle manière que le trait de coupe soit visible dans le regard à cet effet **12**.

Raccordement de l'aspiration des copeaux

- ◆ Enfillez le flexible d'aspiration **19** sur le raccord d'aspiration de poussière **13**.
- ◆ Branchez un dispositif adapté pour l'aspiration des poussières et copeaux au raccord d'aspiration **19**.

Changement de lame :

1. Actionnez le dispositif de retenue de broche **14** et, avec la clé à six pans **15**, tournez la vis **16** (dans le sens des aiguilles d'une montre pour ouvrir). Démontez à présent la vis de serrage avec la rondelle **18** et le flasque de bridage **17** (voir aussi la figure B).
2. Réglez la profondeur de coupe sur la position maximale.

3. Faites pivoter la plaque de base **9** vers le haut.
 4. Retirez la lame de scie **16**.
 5. Montez la nouvelle lame de scie dans l'ordre chronologique inverse de ce qui précède.
 6. Actionnez le dispositif de retenue de broche **14** (jusqu'à ce qu'il enclante) puis vissez à fond la vis de serrage avec la clé à six pans **18**.
- La flèche sur la lame de scie doit concorder avec la flèche de sens de rotation  marquée sur l'appareil.

Nettoyage et maintenance



AVERTISSEMENT ! RISQUE DE BLESSURES ! Avant d'effectuer des travaux sur l'appareil, débranchez toujours la fiche secteur de la prise.

- Nettoyez l'appareil après avoir achevé les travaux.
- Pour nettoyer le boîtier, utilisez un chiffon et en aucun cas de l'essence, du solvant ou du détergent.

Mise au rebut



L'emballage se compose de matières recyclables que vous pouvez mettre au rebut dans un centre de recyclage local.



Ne jetez pas les outils électriques avec les ordures ménagères !

Conformément à la directive européenne 2012/19/EU, les outils électriques usagés doivent faire l'objet d'un tri et d'un recyclage respectueux de l'environnement.

Se renseigner auprès de votre mairie ou des services de votre commune pour connaître les possibilités de mise au rebut de votre appareil usagé.

Garantie

Cet appareil est garanti 3 ans à partir de la date d'achat. L'appareil a été fabriqué avec soin et contrôlé consciencieusement avant sa livraison. Veuillez conserver le ticket de caisse en guise de preuve d'achat. En cas d'exercice de la garantie, veuillez contacter le service après-vente compétent. Cette condition doit être respectée pour assurer l'expédition gratuite de votre marchandise.

La prestation sous garantie s'applique uniquement aux vices de matière ou de fabrication, non aux dégâts survenus pendant le transport, aux pièces d'usure ou aux dégâts subis par des pièces fragiles comme par ex. les commutateurs ou les batteries. Le produit est destiné uniquement à un usage privé et ne répond pas à un usage professionnel. La garantie est annulée en cas d'entretien incorrect et inapproprié, d'usage de la force et en cas d'intervention non réalisée par notre centre de service après-vente agréé. Vos droits légaux ne sont pas restreints par la présente garantie. L'exercice de la garantie ne prolonge pas la période de garantie. Cette disposition s'applique également aux pièces remplacées ou réparées. Signaler sans attendre toute anomalie éventuelle sur le matériel au moment du déballage et au plus tard deux jours après la date d'achat. Toute réparation fera l'objet d'une facturation après expiration de la période de garantie.

Indépendamment de la garantie commerciale souscrite, le vendeur reste tenu des défauts de conformité du bien et des vices rédhibitoires dans les conditions prévues aux articles L211-4 et suivants du Code de la consommation et aux articles 1641 et suivants du Code Civil.

Maintenance

⚠ AVERTISSEMENT !

- ▶ **Faites réparer vos appareils par le service après-vente ou un électricien et uniquement avec des pièces détachées d'origine.**
Cela garantira le maintien de la sécurité de l'appareil.
- ▶ **Confiez toujours le remplacement de la fiche ou du câble secteur au fabricant de l'appareil ou à son service après-vente.**
Cela garantira le maintien de la sécurité de l'appareil.

FR Service France

Tel.: 0800 919270

E-Mail: kompernass@lidl.fr

IAN 273278

BE Service Belgique

Tel.: 070 270 171 (0,15 EUR/Min.)

E-Mail: kompernass@lidl.be

IAN 273278

Assistance téléphonique : du lundi au vendredi de 8 h à 20 h (HEC)

Importateur

KOMPERNASS HANDELS GMBH

BURGSTRASSE 21

44867 BOCHUM

GERMANY

www.kompernass.com

Traduction de la déclaration de conformité originale

Nous soussignés, KOMPERNASS HANDELS GMBH, responsables du document : M. Semi Uguzlu, BURGSTR. 21, 44867 BOCHUM, DEUTSCHLAND, déclarons par la présente que ce produit est en conformité avec les normes, documents normatifs et directives CE suivants :

**Directive Machines
(2006/42/EC)**

**Compatibilité électromagnétique
(2004/108/EC)**

**Directive RoHS
(2011/65/EU)**

Normes harmonisées appliquées :

EN 60745-1 / A11 : 2010

EN 60745-2-5 : 2010

EN 60745-2-22 / A11 : 2013

EN 55014-1 / A2 : 2011

EN 55014-2 / A2 : 2008

EN 61000-3-2 / A2 : 2009

EN 61000-3-3 : 2013

Type / Désignation de l'appareil :

Scie circulaire PTS 500 A1

Année de construction : 08-2015

Numéro de série : IAN 273278

Bochum, le 24/08/2015



Semi Uguzlu

- Responsable qualité -

Sous réserve de modifications techniques à des fins d'amélioration.

Inhoud

Inleiding	44
Gebruik in overeenstemming met bestemming	44
Uitrusting	44
Inhoud van het pakket	44
Technische gegevens	44
Algemene veiligheidsvoorschriften voor elektrische gereedschappen	45
1. Veiligheid op de werkplek	45
2. Elektrische veiligheid	45
3. Veiligheid van personen	46
4. Gebruik en behandeling van het elektrische gereedschap	46
5. Service	47
Apparaatspecifieke veiligheidsvoorschriften	47
Veiligheidsvoorschriften voor alle zagen	47
Overige veiligheidsinstructies voor alle zagen	47
Specifieke veiligheidsvoorschriften voor deze zaag	48
Veiligheidsvoorschriften voor doorslijpmachines	49
Overige veiligheidsvoorschriften voor het gebruik van slijpschijven	50
Aanvullende aanwijzingen	51
Originele accessoires/hulpapparatuur	51
Veiligheidsvoorschriften voor slijpgereedschappen	52
Ingebruikname	52
In- en uitschakelen	52
Invalblokkering vrijmaken	52
Zaagdiepte instellen	53
Parallelaanslag monteren	53
Hantering van de invalzaag	53
Markering zaagsnede	53
Markering zaaglijn	53
Spaanafzuiging aansluiten	53
Zaagblad vervangen	53
Reiniging en onderhoud	54
Afvoeren	54
Garantie	54
Service	55
Importeur	55
Vertaling van de oorspronkelijke conformiteitsverklaring	55

PRECISIE CIRKELZAAG PTS 500 A1

Inleiding



Hartelijk gefeliciteerd met de aankoop van uw nieuwe apparaat. U hebt hiermee gekozen voor een hoogwaardig product.

De gebruiksaanwijzing maakt deel uit van dit product. Deze bevat belangrijke aanwijzingen voor veiligheid, gebruik en afvoer. Lees alle bedienings- en veiligheidsaanwijzingen voordat u het product in gebruik neemt. Gebruik het product uitsluitend op de voorgeschreven wijze en voor de aangegeven doeleinden. Geef alle documenten mee als u het product doorgeeft aan een derde.

Gebruik in overeenstemming met bestemming

De zaagmachine is met name bestemd voor invalwerk in de lengte en overdwars in goed vastgezet massief hout, spaanplaat, multiplex, aluminium, tegels, steen, kunststof en lichte bouwmaterialen. Houd er daarbij rekening mee dat het voorgemonterde zaagblad alleen geschikt is voor gebruik met hout. Elk ander gebruik of modificatie van het apparaat geldt als niet in overeenstemming met de bestemming en brengt aanzienlijke risico's op ongelukken met zich mee. Niet voor commercieel gebruik.

Uitrusting

- 1 Mechanische invalblokkering
- 2 Voeding aan-/indicatielampje
- 3 Netsnoer
- 4 Ventilatiesleuven
- 5 Afdekking voor koolborstels
- 6 Aan-/uitknop
- 7 Instelling zaagdiepte
- 7a Schaal voor zaagdiepte
- 8 Markeringen zaagsnede
- 9 Zool
- 10 Sleuf voor parallelaanslag
- 11 Parallelaanslag
- 11a Bout voor parallelaanslag
- 12 Kijkvenster zaaglijn
- 13 Aansluiting voor stofafzuiging

- 14 Spilvergrendeling
- 15 Inbussleutel
- 16 Zaagblad
- 17 Klemflens
- 18 Spanbout en sluitring
- 19 Afzuigslang
- 20 HM-cirkelzaagblad Z85 / 30
- 21 Diamantzaagblad Z85VR
- 22 HSS-cirkelzaagblad Z85 / 36

Inhoud van het pakket

- 1 precisie cirkelzaag PTS 500 A1
- 1 HM-cirkelzaagblad Z85 / 30
- 1 diamantzaagblad Z85VR
- 1 HSS-cirkelzaagblad Z85 / 36
- 1 parallelaanslag
- 1 afzuigslang
- 1 inbussleutel
- 1 koffer
- 1 gebruiksaanwijzing

Technische gegevens

- Nominaal vermogen: 500 W
- Nominale spanning: 230 V ~, 50 Hz
- Onbelast toerental: n_0 4500 min⁻¹
- Max. zaagdiepte: 25 mm
- Beschermingsklasse: II/□

Geluids- en trillingsgegevens:

Gemeten waarde voor geluid vastgesteld conform EN 60745. Het A-gewogen geluidsniveau van het elektrische gereedschap bedraagt gemiddeld:

- Geluidsdrukniveau: 82 dB(A)
- Geluidsvermogeniveau: 93 dB(A)
- Onzekerheid K: 3 dB



Draag gehoorbescherming!

Vastgestelde acceleratie, gemiddeld:

- Hand-/armtrilling $a_h = 2,266$ m/s²
- Onzekerheid K = 1,5 m/s²

⚠ WAARSCHUWING!

- Het in deze gebruiksaanwijzing vermelde trillingsniveau is gemeten conform een in EN 60745 genormeerde meetprocedure en kan worden gebruikt voor apparaatvergelijking. De vermelde trillingsemissiewaarde kan ook gebruikt worden voor een voorlopige beoordeling van de blootstelling. Het trillingsniveau verandert afhankelijk van het gebruik van het elektrische gereedschap en kan in bepaalde gevallen hoger zijn dan de in deze gebruiksaanwijzing aangegeven waarde. De trillingsbelasting kan worden onderschat wanneer het elektrische gereedschap regelmatig op een dergelijke manier wordt gebruikt.

OPMERKING

- ▶ Voor een nauwkeurige beoordeling van de trillingsbelasting tijdens een bepaalde werkperiode moeten ook de tijden worden meegerekend waarin het apparaat is uitgeschakeld, of wel loopt, maar niet wordt gebruikt. Dit kan de trillingsbelasting over de totale werkperiode duidelijk verminderen.



Algemene veiligheidsvoorschriften voor elektrische gereedschappen

⚠ WAARSCHUWING!

- ▶ Lees alle veiligheidsinstructies en aanwijzingen. Het niet naleven van de veiligheidsinstructies en aanwijzingen kan elektrische schokken, brand en/of ernstig letsel veroorzaken.

Bewaar alle veiligheidsinstructies en aanwijzingen voor toekomstig gebruik.

De in de veiligheidsinstructies gebruikte term "elektrisch gereedschap" heeft betrekking op elektrische gereedschappen die op netvoeding werken (met snoer) en op elektrische gereedschappen die op accu's werken (zonder snoer).

1. Veiligheid op de werkplek

- a) Houd uw werkomgeving schoon en goed geventileerd. Wanorde en een niet verlichte werkomgeving kunnen leiden tot ongelukken.
- b) Werk met het elektrische gereedschap niet in explosiegevaarlijke omgevingen waarin zich brandbare vloeistoffen, gassen of stoffen bevinden. Elektrisch gereedschap geeft vonken of die stof of dampen kunnen doen ontvlammen.
- c) Houd kinderen en andere personen uit de buurt tijdens het gebruik van het elektrische gereedschap. Als u afgeleid raakt, zou u de controle over het apparaat kunnen verliezen.

2. Elektrische veiligheid

- a) De stekker van het elektrische gereedschap moet in het stopcontact passen. De stekker mag op geen enkele wijze worden veranderd. Gebruik geen verloopstekker in combinatie met geaarde elektrische gereedschappen. Onveranderde stekkers en passende stopcontacten verminderen het risico op elektrische schokken.
- b) Voorkom lichamelijk contact met geaarde oppervlakken, zoals buizen, verwarmingen, fornuizen en koelkasten. Er bestaat een verhoogd risico op elektrische schokken als uw lichaam geaard is.
- c) Houd elektrisch gereedschap uit de buurt van regen of vocht. Als er water in een elektrisch apparaat binnendringt, bestaat er een verhoogde kans op een elektrische schok.
- d) Gebruik het snoer niet voor een ander doel, bijvoorbeeld om het elektrische gereedschap te dragen, op te hangen of om de stekker uit het stopcontact te trekken. Houd het snoer uit de buurt van hitte, olie, scherpe randen of bewegende onderdelen. Beschadigde of verwarde snoeren verhogen de kans op een elektrische schok.
- e) Gebruik bij het werken met elektrisch gereedschap buitenshuis alleen verlengsnoeren die zijn goedgekeurd voor gebruik buitenshuis. Het gebruik van een verlengsnoer dat geschikt is voor gebruik buitenshuis, vermindert het risico op een elektrische schok.

- f) Gebruik een aardlekschakelaar als het gebruik van het elektrische gereedschap in een vochtige omgeving onvermijdelijk is. Het gebruik van een aardlekschakelaar vermindert het risico op een elektrische schok.

3. Veiligheid van personen

- a) Wees altijd alert, let op wat u doet en gebruik uw gezond verstand bij het gebruik van elektrisch gereedschap. Gebruik geen elektrisch gereedschap als u ziek of moe bent of onder invloed bent van drugs, alcohol of medicijnen. Een moment van onoplettendheid kan bij het gebruik van het elektrische gereedschap al tot ernstig letsel leiden.
- b) Draag persoonlijke beschermingsmiddelen en altijd een veiligheidsbril. Het dragen van persoonlijke beschermingsmiddelen zoals een stofmasker, antislip-veiligheidsschoenen, veiligheidshelm of gehoorbescherming, al naar gelang het type en het gebruik van het elektrische gereedschap, vermindert het risico op letsel.
- c) Voorkom onbedoelde inschakeling. Zorg ervoor dat het elektrische gereedschap is uitgeschakeld voordat u het aansluit op de netvoeding en/of de accu, het optilt of draagt. Als u bij het dragen van het elektrische gereedschap uw vinger op de aan-/uitknop houdt of het apparaat al ingeschakeld op de netvoeding aansluit, kan dit tot ongelukken leiden.
- d) Verwijder het afstelgereedschap of de sleutel voordat u het elektrische gereedschap aanzet. Gereedschap of een sleutel die zich in een draaiend onderdeel van het apparaat bevindt, kan letsel tot gevolg hebben.
- e) Voorkom een abnormale lichaamshouding. Zorg dat u stevig staat en bewaar altijd uw evenwicht. Daardoor kunt u het elektrische gereedschap in onverwachte situaties beter controleren.
- f) Draag geschikte kleding. Draag geen wijde kleding of sieraden. Houd haar, kleding en handschoenen ver van bewegende onderdelen. Los zittende kleding, sieraden of haren kunnen door bewegende onderdelen gegrepen worden.

- g) Als stofafzuigings- en opvangvoorzieningen kunnen worden bevestigd, zorg er dan voor dat deze zijn aangesloten en correct worden gebruikt. Het gebruik van een stofafzuiging kan risico's door stof beperken.

4. Gebruik en behandeling van het elektrische gereedschap

- a) Voorkom overbelasting van het apparaat. Gebruik voor uw werkzaamheden het daarvoor bedoelde elektrisch gereedschap. Met een passend elektrisch apparaat werkt u beter en veiliger in het aangegeven vermogensbereik.
- b) Gebruik geen elektrisch gereedschap waarvan de aan-/uitknop defect is. Elektrisch gereedschap dat niet meer aan- of uitgezet kan worden, is gevaarlijk en moet gerepareerd worden.
- c) Haal de stekker uit het stopcontact of verwijder de accu, voordat u instellingen aan het apparaat verricht, accessoires verwisselt of het apparaat weglegt. Deze voorzorgsmaatregel voorkomt dat het elektrische gereedschap onbedoeld kan worden gestart.
- d) Berg elektrisch gereedschap buiten het bereik van kinderen op als het niet in gebruik is. Zorg ervoor dat het apparaat niet wordt gebruikt door personen die hiermee niet vertrouwd zijn of die deze instructies niet hebben gelezen. Elektrisch gereedschap is gevaarlijk als het door onervaren personen worden gebruikt.
- e) Onderhoud elektrisch gereedschap zorgvuldig. Controleer of bewegende onderdelen naar behoren werken en niet klemmen, en of er geen onderdelen gebroken of zodanig beschadigd zijn dat daardoor de werking van het elektrische gereedschap nadelig wordt beïnvloed. Laat beschadigde onderdelen vóór de ingebruikname van het apparaat repareren. Veel ongelukken zijn het gevolg van slecht onderhoud van elektrisch gereedschap.
- f) Houd zagen scherp en schoon. Met zorg onderhouden zagen met scherpe zaagvlakken lopen minder vaak vast en zijn gemakkelijker te sturen.

NL
BE

g) Gebruik elektrisch gereedschap, toebehoren, hulpstukken en dergelijke in overeenstemming met deze instructies. Houd daarbij rekening met de werkomstandigheden en de te verrichten werkzaamheden. Het gebruik van elektrisch gereedschap voor andere doeleinden dan de beoogde toepassingen kan tot gevaarlijke situaties leiden.

5. Service

a) Laat uw elektrisch gereedschap alleen door gekwalificeerde vakmensen en uitsluitend met originele vervangingsonderdelen repareren. Op die manier blijft de veiligheid van het elektrische gereedschap gewaarborgd.

Apparaatspecifieke veiligheidsvoorschriften

Veiligheidsvoorschriften voor alle zagen

Zaagprocedure

- a)  **GEVAAR!** Kom met uw handen niet in het zaagberek en bij het zaagblad. Houd met uw tweede hand de hulpgreep of de motorbehuizing vast. Als beide handen de zaag vasthouden, kunnen ze niet worden verwond door het zaagblad.
- b) **Grijp niet onder het werkstuk.** De beschermkap kan u onder het werkstuk niet tegen het zaagblad beschermen.
- c) **Pas de zaagdiepte aan de dikte van het werkstuk aan.** Er moet minder dan een volledige tandhoogte onder het werkstuk zichtbaar zijn.
- d) **Houd het te zagen werkstuk nooit in de hand of boven het been vast. Zet het werkstuk vast op een stabiele ondergrond.** Het is belangrijk om het werkstuk goed te bevestigen, zodat het risico op fysiek contact, vastlopen van het zaagblad of verlies van de controle wordt geminimaliseerd.

e) Pak het elektrische gereedschap alleen vast aan de geïsoleerde greepvlakken wanneer u werkzaamheden uitvoert waarbij het gereedschap met verborgen elektriciteitsleidingen in aanraking kan komen. Bij contact met een onder spanning staande leiding komen ook de metalen delen van het elektrische gereedschap onder spanning, wat resulteert in een elektrische schok.

f) **Gebruik bij langszagen altijd een aanslag of een geleiderail.** Dit verbetert de nauwkeurigheid van de snede en vermindert de kans dat het zaagblad vastloopt.

g) **Gebruik altijd zaagbladen met de juiste grootte en met een bijpassend asgat (bijv. stervormig of rond).** Zaagbladen met een niet bij de as van de zaag passend asgat, draaien excentrisch en hebben verlies van de controle tot gevolg.

h) **Gebruik nooit beschadigde of verkeerde sluitringen of moeren voor het zaagblad.** De sluitringen en moeren voor het zaagblad zijn speciaal ontworpen voor uw zaag, voor optimale prestaties en bedrijfsveiligheid.

Overige veiligheidsinstructies voor alle zagen

Terugslag - oorzaken en passende veiligheidsmaatregelen:

- Een terugslag is een plotselinge reactie als gevolg van een hakend, vastlopend of niet goed uitgelijnd zaagblad, die tot gevolg heeft dat de zaag ongecontroleerd omhoog komt en zich uit het werkstuk in de richting van de gebruiker beweegt;
- als het zaagblad zich in de zich sluitende zaagsnede vasthaakt of vastklemt, blokkeert het en slaat de motorkracht het apparaat terug in de richting van de gebruiker;
- als het zaagblad in de zaagsnede wordt verdraaid of verkeerd wordt uitgelijnd, kunnen de tanden aan de achterkant van het zaagblad in het oppervlak van het werkstuk vasthaken, waardoor het zaagblad uit de zaagopening wordt gedrukt en de zaag terugspringt in de richting van de gebruiker.

Een terugslag is het gevolg van onjuist gebruik van de zaag. Dit is te voorkomen door passende voorzorgsmaatregelen, zoals hieronder beschreven.

- a) **Houd de zaag met beide handen vast en breng uw armen in een positie waarin u de terugslagkrachten kunt opvangen. Blijf altijd aan de zijkant van het zaagblad, breng het zaagblad nooit in één lijn met uw lichaam.** Bij een terugslag kan de cirkelzaag naar achteren springen, maar de gebruiker kan de terugslagkrachten door passende voorzorgsmaatregelen beheersen.
- b) **Als het zaagblad vastloopt of als u het werk onderbreekt, schakelt u de zaag uit en houdt u deze rustig in het materiaal tot het zaagblad tot stilstand is gekomen. Probeer nooit om de zaag uit het werkstuk te verwijderen of naar achteren te trekken zolang het zaagblad in beweging is, anders kan er een terugslag optreden.** Stel de oorzaak van het vastlopen van het zaagblad vast en los het probleem op.
- c) **Als u een zaag die in het werkstuk steekt opnieuw wilt starten, centreert u het zaagblad in de zaagsnede en controleert u of de zaagtanden niet in het werkstuk vasthaken.** Als het zaagblad klemt, kan het uit het werkstuk worden gedrukt of een terugslag veroorzaken wanneer de zaag opnieuw wordt gestart.
- d) **Ondersteun grote platen om het risico op een terugslag door een klemmend zaagblad te verminderen.** Grote platen kunnen onder hun eigen gewicht doorbuigen. Platen moeten aan beide zijden worden ondersteund, zowel in de buurt van de zaagsnede als aan de rand.
- e) **Gebruik geen botte of beschadigde zaagbladen.** Zaagbladen met botte of verkeerd uitgelijnde tanden veroorzaken door een te smalle zaagsnede verhoogde wrijving, vastlopen van het zaagblad en terugslag.
- f) **Zet vóór het zagen de instellingen voor de zaagdiepte en zaaghoek goed vast.** Als tijdens het zagen de instellingen veranderen, kan het zaagblad vastlopen en een terugslag veroorzaken.

- g) **Wees bijzonder voorzichtig bij het zagen in bestaande wanden of andere materialen waarvan de samenstelling onbekend is.** Het zaagblad kan bij het zagen in verborgen objecten blokkeren en een terugslag veroorzaken.

Specifieke veiligheidsvoorschriften voor deze zaag

Werking van de beschermkap:

- a) **Controleer vóór elk gebruik of de beschermkap perfect sluit. Gebruik de zaag niet als de beschermkap niet vrij kan bewegen en niet onmiddellijk sluit.** Klem of bind de beschermkap nooit vast; daardoor zou het zaagblad onbeschermd zijn. Als u de zaag per ongeluk laat vallen, kan de beschermkap verbogen raken. Zorg ervoor dat de beschermkap vrij kan bewegen en bij alle zaaghoeken en zaagdieptes het zaagblad of andere onderdelen niet aanraakt.
- b) **Controleer de toestand en werking van de veren van de beschermkap.** Laat de zaag vóór gebruik nakijken als de beschermkap en de veren niet correct werken. Door beschadigde onderdelen, kleverige aanslag of spaanophoppingen kan de onderste beschermkap vertraagd werken.
- c) **Beveilig bij invalwerk dat onder een hoek wordt uitgevoerd, de zool van de zaag tegen zijwaarts verschuiven.** Een zijwaartse verschuiving kan resulteren in vastklemmen van het zaagblad, met een terugslag als gevolg.
- d) **Leg de zaag niet op de werkbank of op de vloer zonder dat de beschermkap het zaagblad bedekt.** Een onbeschermd, nadraaiend zaagblad beweegt de zaag tegen de snijrichting in en zaagt alles wat in de weg zit. Houd daarbij rekening met de nalooptijd van de zaag.

Aanvullende aanwijzingen:

- Gebruik geen slijpschijven.
- Gebruik alleen zaagbladen met een diameter die in overeenstemming is met de aanduidingen op de zaag.
- Bij het bewerken van hout of materialen waarbij stof vrijkomt dat schadelijk is voor de gezondheid, moet het apparaat worden aangesloten op een passend, goedgekeurd afzuigsysteem.
- Draag bij het zagen van hout een stofmasker.
- Gebruik uitsluitend aanbevolen zaagbladen.
- Draag altijd gehoorbescherming.
- Voorkom oververhitting van de zaagtandpunten.
- Voorkom bij het zagen van kunststof dat de kunststof smelt.

Beschermkap controleren:

- Trek de terugtrekhandel voor de beschermkap tot aan de aanslag. De beschermkap moet zonder te klemmen bewegen en bij loslaten van de terugtrekhandel voor de beschermkap automatisch terugspringen in de beginstand.

Cirkelzaagbladen (symbolen)



Draag veiligheidshandschoenen!



Draag een mondkapje!



Draag een veiligheidsbril!



Draag gehoorbescherming!

Veiligheidsvoorschriften voor doorslijpmachines

- a) De bij het elektrisch gereedschap behorende beschermkap moet veilig worden aangebracht en zodanig zijn ingesteld, dat de grootste mogelijke veiligheid wordt bereikt, d.w.z. dat de bedienende persoon wordt blootgesteld aan het kleinst mogelijke gedeelte van de schijf. Uzelf en zich in de buurt bevindende personen moeten buiten het bereik van de draaiende slijpschijf blijven.

De beschermkap moet de gebruiker beschermen tegen brokstukken en toevallig contact met de slijpschijf.

- b) **Gebruik uitsluitend diamantslijpschijven voor uw elektrisch gereedschap.** Alleen omdat u het toebehoren kunt bevestigen op uw elektrische gereedschap, garandeert dit geen veilig gebruik.
- c) **Het toegelaten toerental van het toebehoren moet minstens even hoog zijn als het maximale toerental dat op het elektrische gereedschap is vermeld.** Toebehoren dat sneller draait dan toegestaan, kan breken en rondvliegen.
- d) **Slijpschijven mogen alleen worden gebruikt voor de aanbevolen toepassingen.** Bijvoorbeeld: slijp nooit met het zijvlak van een doorslijpschijf. Doorslijpschijven zijn bestemd voor het slijpen van materiaal met de rand van de schijf. Door een zijdelingse krachtinwerking op deze slijpschijven kunnen ze breken.
- e) **Gebruik altijd onbeschadigde spanflenzen van de juiste grootte en vorm voor de door u gekozen slijpschijf.** Geschikte flenzen steunen de slijpschijf en beperken zo het risico van breken van de slijpschijf.
- f) **Gebruik geen versleten slijpschijven van grotere elektrische gereedschappen.** Slijpschijven voor grotere elektrische gereedschappen zijn niet ontworpen voor de hogere toerentallen van kleinere elektrische gereedschappen en kunnen breken.
- g) **Buitendiameter en dikte van de slijpschijf moeten beantwoorden aan de afmetingen van uw elektrische gereedschap.** Verkeerd berekende geplaatste gereedschappen kunnen niet voldoende worden afgeschermd of gecontroleerd.
- h) **Slijpschijven en flens moeten precies op de slijpas van uw elektrisch gereedschap passen.** Slijpschijven die niet precies op de slijpas passen, draaien ongelijkmatig, trillen hevig en kunnen leiden tot een verlies aan controle.

- i) **Gebruik geen beschadigde slijpschijven.** Controleer de slijpschijven voor ieder gebruik op splinters en scheuren. Controleer na een val of het elektrisch gereedschap of de slijpschijf beschadigd is; gebruik bij twijfel een onbeschadigde slijpschijf. Als u de slijpschijf gecontroleerd en gemonteerd hebt, begeeft u zich (evenals eventuele andere personen) buiten het bereik van de draaiende slijpschijf en laat u het apparaat een minuut lang met het hoogste toerental onbelast draaien. Beschadigde slijpschijven breken meestal binnen deze testtijd.
- j) **Draag persoonlijke beschermingsmiddelen.** Gebruik al naar gelang de toepassing een volledig gelaatsmasker, oogbescherming of een veiligheidsbril. Indien toepasselijk draagt u een stofmasker, gehoorbescherming, veiligheidshandschoenen of een speciale schort, die kleine slijp- en materiaaldeeltjes van u weghoudt. De ogen moeten worden beschermd tegen rondvliegende deeltjes, die bij verschillende toepassingen ontstaan. Een stof- of ademhalingsmasker moet het stof filteren dat bij de toepassing ontstaat. Als u lange tijd bent blootgesteld aan luid lawaai, kunt u gehoorverlies lijden.
- k) **Let bij andere personen op een veilige afstand tot uw werkvlak. Eenieder die de werkplek betreedt, moet persoonlijke beschermingsmiddelen dragen.** Afgebroken stukken van het werkstuk of gebroken toebehoren kunnen wegvliegen en verwondingen veroorzaken, ook buiten het directe werkgebied.
- l) **Pak het apparaat uitsluitend vast aan de geïsoleerde greepvlakken wanneer u werkzaamheden uitvoert waarbij het gereedschap met verborgen elektriciteitsleidingen of het eigen snoer in aanraking kan komen.** Bij contact met een leiding waar spanning op staat, kunnen ook metalen onderdelen van het apparaat onder spanning komen te staan en een elektrische schok tot gevolg hebben.
- m) **Houd het snoer weg van roterend toebehoren.** Als u de controle over het apparaat verliest, kan het snoer worden doorgesneden of gegrepen en kan uw hand of arm in het roterende toebehoren terechtkomen.
- n) **Leg het elektrische gereedschap nooit neer voordat het toebehoren volledig tot stilstand is gekomen.** Het roterende toebehoren kan in contact komen met het vlak waarop het wordt neergelegd, zodat u de controle kunt verliezen over het elektrische gereedschap.
- o) **Laat het elektrische gereedschap niet draaien terwijl u het draagt.** Uw kleding kan door toevallig contact met het roterende toebehoren worden gegrepen en het toebehoren kan zich in uw lichaam boren.
- p) **Reinig regelmatig de ventilatiespleten van uw elektrische gereedschap.** De motorventilator trekt stof in de behuizing, en een sterke opeenhoping van metaalstof kan elektrische risico's veroorzaken.
- q) **Gebruik het elektrische gereedschap niet in de buurt van brandbare materialen.** Vonken kunnen deze materialen doen ontvlammen.
- r) **Gebruik geen toebehoren dat vloeibare koelstoffen nodig heeft.** Het gebruik van water of andere vloeibare koelstoffen kan leiden tot een elektrische schok.

Overige veiligheidsvoorschriften voor het gebruik van slijpschijven

Terugslag en passende veiligheidsmaatregelen

Terugslag is de plotselinge reactie als gevolg van een vastklemmende of blokkerende draaiende slijpschijf. Het vastklemmen of blokkeren leidt tot een abrupte stop van het draaiende gereedschap. Daardoor versnelt een ongecontroleerd elektrische gereedschap tegen de draairichting van het toebehoren op het blokkeerpunt.

Als bijv. een slijpschijf in het werkstuk haakt of blokkeert, kan de rand van de slijpschijf die in het werkstuk gaat, vastlopen en daardoor de slijpschijf doen uitbreken of een terugslag veroorzaken. De slijpschijf wordt dan naar de gebruiker of van hem weg bewogen, al naar gelang de draairichting van de schijf op het blokkeerpunt. Hierbij kunnen slijpschijven ook breken.

Een terugslag is het gevolg van onjuist of verkeerd gebruik van het elektrische gereedschap. Dit is te voorkomen door passende voorzorgsmaatregelen, zoals hieronder beschreven.

- a) Houd het elektrische gereedschap goed vast en breng uw lichaam en armen in een positie waarin u de terugslagkrachten kunt opvangen. Gebruik altijd de extra handgreep, indien aanwezig, om een zo groot mogelijke controle te hebben over terugslagkrachten of reactiemomenten wanneer het apparaat op volle toeren draait. De gebruiker kan door passende veiligheidsmaatregelen de terugslag- en reactiekrachten beheersen.
- b) **Breng uw hand nooit in de buurt van roterend toebehoren.** Het toebehoren kan bij een terugslag over uw hand bewegen.
- c) **Mijd de zone voor en achter de roterende doorslijpschijf.** De terugslag drijft het elektrische gereedschap in tegenovergestelde richting van de slijpschijf op het blokkeerpunt.
- d) **Werk bijzonder voorzichtig in de buurt van hoeken, scherpe randen enz. Voorkom dat toebehoren uit het werkstuk terugslaat en vastloopt.** Het roterende toebehoren heeft de neiging vast te lopen bij hoeken, scherpe randen of wanneer het afketst. Dit veroorzaakt een verlies aan controle of een terugslag.
- e) **Gebruik geen kettingzaagblad of gekarteld zaagblad en ook geen gesegmenteerde diamantschijf met meer dan 10 mm brede sleuven.** Dergelijk toebehoren veroorzaakt een terugslag of het verlies van de controle over het elektrische gereedschap.
- f) **Voorkom dat de doorslijpschijf blokkeert of een te hoge aandrukkracht ondergaat. Voer geen te diepe snedes uit.** Een overbelasting van de doorslijpschijf verhoogt de kans op kantelen of blokkeren en dus de mogelijkheid van een terugslag of een breuk van de slijpschijf.
- g) **Als de doorslijpschijf vastloopt of als u het werk onderbreekt, schakelt u het apparaat uit en houdt u het rustig in het materiaal tot de schijf tot stilstand is gekomen. Probeer nooit de nog draaiende doorslijpschijf uit de snede te trekken, anders kan er een terugslag plaatsvinden. Stel de oorzaak van het vastlopen vast en los het probleem op.**
- h) **Schakel het elektrische gereedschap niet opnieuw in zolang het zich in het werkstuk bevindt. Laat de doorslijpschijf eerst het volledige toerental bereiken, alvorens voorzichtig verder te gaan met het snijden. Anders kan de schijf zich vasthaken, uit het werkstuk springen of een terugslag veroorzaken.**
- i) **Ondersteun platen of grote werkstukken om het risico van een terugslag door een vastgelopen doorslijpschijf te verminderen.** Grote werkstukken kunnen onder hun eigen gewicht doorbuigen. Het werkstuk moet aan beide zijden van de schijf worden ondersteund, zowel in de buurt van de doorslijpsnede als aan de rand.
- j) **Wees bijzonder voorzichtig bij insnijdingen in bestaande wanden of andere materialen waarvan de samenstelling onbekend is.** De doorslijpschijf kan bij het snijden in gas- of waterleidingen, elektrische leidingen of andere objecten een terugslag veroorzaken wanneer hij ingebracht wordt.

Aanvullende aanwijzingen

Toegestane doorslijpschijfconstructies:

Diamantschijf, schijfdiameter 85 mm, schijfdikte max. 1,8 mm

- Draag altijd een stofmasker!
- Draag altijd gehoorbescherming!

Originele accessoires/hulpapparatuur

- Gebruik alleen accessoires en hulpapparatuur die vermeld staan in de gebruiksaanwijzing resp. waarvan gebruik compatibel is met het apparaat.

Diamantzaagblad (symbolen)



Draag gehoorbescherming!



Draag een veiligheidsbril!



Draag veiligheidsschoenen!



Draag veiligheidshandschoenen!



Draag een mondkapje!



Niet toegelaten voor nat slijpen!



Toegestane diameter van de gereedschappen

Veiligheidsvoorschriften voor slijpgereedschappen

a) Algemeen

Slijpgereedschappen zijn breukgevoelig, daarom moet uiterst zorgvuldig worden omgegaan met dergelijke gereedschappen. Het gebruik van beschadigde, verkeerd opgespannen of verkeerd bevestigde slijpschijven is gevaarlijk en kan leiden tot ernstig letsel!

b) Behandeling, transport en opslag

Slijpgereedschappen moeten zorgvuldig worden behandeld en vervoerd. Slijpgereedschappen moeten zodanig worden opgeslagen dat ze niet worden blootgesteld aan mechanische beschadigingen en schadelijke omgevingsinvloeden.

Voorkom levensgevaarlijke situaties door een elektrische schok:

- Controleer regelmatig de toestand van het apparaat, het netsnoer en de stekker. Neem apparaten met dergelijke beschadigde onderdelen niet meer in gebruik. Demonteer het apparaat nooit. Een beschadigd apparaat, netsnoer of stekker levert een levensgevaarlijke situatie op waarbij u een elektrische schok kunt krijgen. Laat reparatie- en vervangingswerkzaamheden alleen uitvoeren door de servicedienst of een vakman.
- Gebruik het apparaat niet als het vochtig is en ook niet in een vochtige omgeving.
- Sluit het apparaat, wanneer u in de openlucht werkt, aan via een lekstroom-veiligheidsschakelaar (FI) met maximaal 30 mA uitschakelstroom. Gebruik uitsluitend een verlengsnoer dat is toegestaan voor gebruik buitenshuis.

OPMERKING

- Houd het netsnoer altijd uit de buurt van de werkingszone van de machine en leid het naar achteren van de machine vandaan.

Ingebruikname

In- en uitschakelen

Inschakelen:

- ◆ Schuif de aan-/uitknop **6** naar achteren.

Uitschakelen:

- ◆ Laat de aan-/uitknop **6** los.

Invalblokkering vrijmaken

- ◆ Druk de invalblokkering **1** naar voren en houd deze ingedrukt.

Zaagdiepte instellen

OPMERKING

- ▶ Het verdient aanbeveling om indien mogelijk een zaagdiepte in te stellen die ca. 2 mm groter is dan de dikte van het materiaal. Zo bereikt u een zuivere snede.
- ◆ Maak de snelspanhendel van de zaagdiepte-instelling **7** los, stel de gewenste zaagdiepte in op de schaal **7a** en klem de snelspanhendel weer vast.

Parallelaanslag monteren

- ◆ Draai de bout voor de parallelaanslag **11a** op de zool **9** los en schuif de parallelaanslag **11** in de gleuf voor de parallelaanslag **10**. Draai de bout **11a** weer vast.

Hantering van de invalzaag

1. Plaats de machine op het materiaal en schakel hem in, zoals beschreven in het hoofdstuk "In- en uitschakelen".
2. Lijn zo nodig de machine uit met de parallel-aanslag **11** of met een getekende lijn.
3. Zaag met matige druk.

Typen zaagbladen:

De meegeleverde typen zaagbladen dekken de meest gangbare toepassingen.

HM-cirkelzaagblad **20** Z85 / 30:

Beschrijving: ø 85 mm, 30 HM-tanden, geschikt voor: zacht hout, hardhout, platen van elk type, kunststoffen

Diamantzaagblad **21** Z85VR:

Beschrijving: ø 85 mm schijf met doorlopende rand, geschikt voor: keramiek, kunststoffen

HSS-cirkelzaagblad **22** Z85 / 36:

Beschrijving: ø 85 mm, 36 tanden - links/rechts gezet, geschikt voor: zacht hout, zachte metalen zoals aluminium en koper, kunststoffen

Markering zaagsnede

- ◆ Richt u op de markeringen voor de max. zaagsnede **8** om te controleren waar de snede begint resp. ophoudt.

Markering zaaglijn


Het kijkvenster voor de zaaglijn dient voor het nauwkeurig geleiden van de machine langs de op het werkstuk aangebrachte zaaglijn.

- ◆ Voor een exacte zaagsnede plaatst u de machine zo op het werkstuk, dat de markering in het kijkvenster voor de zaaglijn **12** te zien is.

Spaanafzuiging aansluiten

- ◆ Sluit de afzuigslang **19** aan op de aansluiting voor de stofafzuiging **13**.
- ◆ Sluit een goedgekeurde stof- en spaanafzuiging aan op de afzuigslang **19**.

Zaagblad vervangen

1. Druk op de spilvergrendeling **14** en draai met de inbussleutel **15** de spanbout **13** los (met de wijzers van de klok mee losdraaien). Neem nu de spanbout met sluitring **18** en klemflens **17** van de spil (zie ook afb. B).
 2. Stel de zaagdiepte in op de maximale positie.
 3. Zwenk de zool **9** omhoog.
 4. Neem het zaagblad **16** van de as.
 5. Monteer het zaagblad in omgekeerde volgorde van de bovenstaande beschrijving.
 6. Druk op de spilvergrendeling **14** (tot deze vastklikt) en draai met de inbussleutel de spanbout **13** vast.
- De pijl op het zaagblad moet overeenkomen met de pijl die de draairichting aangeeft  (looprichting, gemarkeerd op het apparaat).

Reiniging en onderhoud



WAARSCHUWING! LETSELGEVAAR!
Haal altijd de stekker uit het stopcontact voordat u werkzaamheden aan het apparaat verricht.

- Reinig het apparaat na het uitvoeren van de werkzaamheden.
- Gebruik voor het schoonmaken van de behuizing een doek en in geen geval benzine, oplosmiddel of schoonmaakmiddel.

Afvoeren



De verpakking bestaat uit milieuvriendelijke materialen, die u via de plaatselijke recyclepunten kunt afvoeren.



Deponer elektrisch gereedschap niet bij het huisvuil!

Conform de Europese richtlijn 2012/19/EU moet afgedankt elektrisch gereedschap gescheiden worden ingezameld en op een milieuvriendelijke wijze worden gerecycled.

Informatie over mogelijkheden voor het afvoeren van het afgedankte apparaat krijgt u bij uw gemeentereinigingsdienst.

Garantie

U hebt op dit apparaat 3 jaar garantie vanaf de aankoopdatum. Het apparaat is met de grootst mogelijke zorg vervaardigd en voorafgaand aan de levering nauwkeurig gecontroleerd. Bewaar de kassabon als bewijs van aankoop. Neem telefonisch contact op met uw servicepunt, mocht u aanspraak willen maken op de garantie. Alleen op die manier is een kosteloze verzending van uw product gegarandeerd.

De garantie geldt uitsluitend voor materiaal- of fabricagefouten, echter niet voor transportschade, niet voor onderdelen die onderhevig zijn aan slijtage of voor beschadigingen van breekbare delen, bijv. schakelaars of accu's. Het product is uitsluitend bestemd voor privégebruik en niet voor bedrijfsmatige doeleinden. Bij verkeerd gebruik en ondeskundige behandeling, bij gebruik van geweld en bij reparaties die niet door ons erkend servicefiliaal zijn uitgevoerd, vervalt de garantie. Uw wettelijke rechten worden door deze garantie niet beperkt. De garantieperiode wordt door deze waarborg niet verlengd. Dat geldt ook voor vervangen en gerepareerde onderdelen. Eventueel al bij aankoop aanwezige schade en gebreken moeten meteen na het uitpakken worden gemeld, echter uiterlijk twee dagen na de aankoopdatum. Voor reparaties na afloop van de garantieperiode worden kosten in rekening gebracht.

Service

⚠ WAARSCHUWING!

- ▶ Laat uw apparaten door het servicepunt of een elektricien repareren, en uitsluitend met originele vervangingsonderdelen. Op die manier blijft de veiligheid van het apparaat gewaarborgd.
- ▶ Laat de stekker of het snoer altijd vervangen door de fabrikant van het apparaat of diens klantenservice. Op die manier blijft de veiligheid van het apparaat gewaarborgd.

NL Service Nederland

Tel.: 0900 0400223 (0,10 EUR/Min.)

E-Mail: kompernass@lidl.nl

IAN 273278

BE Service België

Tel.: 070 270 171 (0,15 EUR/Min.)

E-Mail: kompernass@lidl.be

IAN 273278

Bereikbaarheid hotline: maandag t/m vrijdag van 8:00 uur – 20:00 uur (MET)

Importeur

KOMPERNASS HANDELS GMBH

BURGSTRASSE 21

44867 BOCHUM

GERMANY

www.kompernass.com

Vertaling van de oorspronkelijke conformiteitsverklaring

Wij, KOMPERNASS HANDELS GMBH, documentverantwoordelijke persoon: de heer Semi Uguzlu, BURGSTR. 21, 44867 BOCHUM, DUITSLAND, verklaren hierbij dat dit product voldoet aan de volgende normen, normatieve documenten en EU-richtlijnen:

Machinerichtlijn
(2006/42/EC)

Elektromagnetische compatibiliteit
(2004/108/EC)

RoHS-richtlijn
(2011/65/EU)

Toegepaste geharmoniseerde normen:
EN 60745-1 / A11: 2010

EN 60745-2-5: 2010

EN 60745-2-22 / A11: 2013

EN 55014-1 / A2: 2011

EN 55014-2 / A2: 2008

EN 61000-3-2 / A2: 2009

EN 61000-3-3: 2013

Type/apparaatbeschrijving:

Precisie cirkelzaag PTS 500 A1

Productiejaar: 08-2015

Serienummer: IAN 273278

Bochum, 24-8-2015



Semi Uguzlu

- Kwaliteitsmanager -

Technische wijzigingen vanwege verdere ontwikkeling voorbehouden.

Inhaltsverzeichnis

Einleitung	58
Bestimmungsgemäßer Gebrauch	58
Ausstattung	58
Lieferumfang	58
Technische Daten	58
Allgemeine Sicherheitshinweise für Elektrowerkzeuge	59
1. Arbeitsplatz-Sicherheit	59
2. Elektrische Sicherheit	59
3. Sicherheit von Personen	60
4. Verwendung und Behandlung des Elektrowerkzeugs	60
5. Service	61
Gerätespezifische Sicherheitshinweise	61
Sicherheitshinweise für alle Sägen	61
Weitere Sicherheitshinweise für alle Sägen	61
Spezifische Sicherheitshinweise für diese Säge	62
Sicherheitshinweise für Trennschleifmaschinen	63
Weitere Sicherheitshinweise für Trennschleifanwendungen	64
Ergänzende Anweisungen	65
Originalzubehör / -zusatzgeräte	65
Sicherheitshinweise für Schleifwerkzeuge	66
Inbetriebnahme	66
Ein- und ausschalten	66
Tauchsperre lösen	66
Schnitt-Tiefe vorwählen	66
Parallelanschlag montieren	66
Handhabung der Tauchsäge	66
Markierung Schnittlänge	67
Markierung Schnittlinie	67
Spanabsaugung anschließen	67
Sägeblatt wechseln	67
Reinigung und Wartung	67
Entsorgung	67
Garantie	68
Service	68
Importeur	68
Original-Konformitätserklärung	69

TAUCHSÄGE PTS 500 A1

Einleitung



Wir beglückwünschen Sie zum Kauf Ihres neuen Gerätes. Sie haben sich damit für ein hochwertiges Produkt entschieden. Die

Bedienungsanleitung ist Teil dieses Produkts. Sie enthält wichtige Hinweise für Sicherheit, Gebrauch und Entsorgung. Machen Sie sich vor der Benutzung des Produkts mit allen Bedien- und Sicherheitshinweisen vertraut. Benutzen Sie das Produkt nur wie beschrieben und für die angegebenen Einsatzbereiche. Händigen Sie alle Unterlagen bei Weitergabe des Produkts an Dritte mit aus.

Bestimmungsgemäßer Gebrauch

Die Maschine ist vorzugsweise zum Sägen von Längs- und Querschnitten im Tauchsägeschnitt mit fester Auflage in Vollholz, Spanplatten, Sperrholz, Aluminium, Fliesen, Gestein, Kunststoff und Leichtbaustoffen vorgesehen. Berücksichtigen Sie dabei, dass das vormontierte Sägeblatt nur zum Gebrauch mit Holz geeignet ist. Jede andere Verwendung oder Veränderung der Maschine gilt als nicht bestimmungsgemäß und birgt erhebliche Unfallgefahren. Nicht zum gewerblichen Gebrauch.

Ausstattung

- ➊ Mechanische Tauchsperre
- ➋ Netz Ein- / Kontrollleuchte
- ➌ Netzleitung
- ➍ Lüftungsschlitze
- ➎ Abdeckung für Kohlebürsten
- ➏ EIN- / AUS-Schalter
- ➐ Schnitt-Tiefenvorwahl
- ➑a Skala für Schnitt-Tiefe
- ➒ Markierungen Schnittlänge
- ➓ Grundplatte
- ➔ Parallelanschlagaufnahme
- ➕ Parallelanschlag
- ➖a Schraube für Parallelanschlag
- ➗ Sichtfenster Schnittlinie
- ➘ Anschluss zur Staubabsaugung
- ➙ Spindelarretierung
- ➚ Innensechskantschlüssel
- ➛ Sägeblatt
- ➜ Klemmflansch

- ➜ Spannschraube und Unterlegscheibe
- ➞ Absaugschlauch
- ➟ HW-Kreissägeblatt Z85 / 30
- ➠ Trennsägeblatt diamantiert Z85VR
- ➡ HS-Kreissägeblatt Z85 / 36

Lieferumfang

- 1 Tauchsäge PTS 500 A1
- 1 HW-Kreissägeblatt Z85 / 30
- 1 Trennsägeblatt diamantiert Z85VR
- 1 HS-Kreissägeblatt Z85 / 36
- 1 Parallelanschlag
- 1 Absaugschlauch
- 1 Innensechskantschlüssel
- 1 Tragekoffer
- 1 Bedienungsanleitung

Technische Daten

Nennleistung:	500 W
Nennspannung:	230 V ~, 50 Hz
Leerlaufdrehzahl:	n_0 4500 min ⁻¹
Max. Schnitt-Tiefe:	25 mm
Schutzklasse:	II/□

Geräusch- und Vibrationsinformationen:

Messwert für Geräusch ermittelt entsprechend EN 60745. Der A-bewertete Geräuschpegel des Elektrowerkzeugs beträgt typischerweise:

Schalldruckpegel:	82 dB(A)
Schalleistungspegel:	93 dB(A)
Unsicherheit K:	3 dB



Gehörschutz tragen!

Bewertete Beschleunigung, typischerweise:

Hand- / Armvibration $a_h = 2,266 \text{ m/s}^2$
 Unsicherheit K = 1,5 m/s^2

⚠️ WARNUNG!

■ Der in diesen Anweisungen angegebene Schwingungspegel ist entsprechend einem in EN 60745 genormten Messverfahren gemessen worden und kann für den Gerätevergleich verwendet werden. Der angegebene Schwingungsemissionswert kann auch zu einer einleitenden Einschätzung der Aussetzung verwendet werden. Der Schwingungspegel wird sich entsprechend dem Einsatz des Elektrowerkzeugs verändern und kann in manchen Fällen über dem in diesen Anweisungen angegebenen Wert liegen. Die Schwingungsbelastung könnte unterschätzt werden, wenn das Elektrowerkzeug regelmäßig in solcher Weise verwendet wird.

HINWEIS

► Für eine genaue Abschätzung der Schwingungsbelastung während eines bestimmten Arbeitszeitraumes sollten auch die Zeiten berücksichtigt werden, in denen das Gerät abgeschaltet ist oder zwar läuft, aber nicht tatsächlich im Einsatz ist. Dies kann die Schwingungsbelastung über den gesamten Arbeitszeitraum deutlich reduzieren.



Allgemeine Sicherheitshinweise für Elektrowerkzeuge

⚠️ WARNUNG!

► Lesen Sie alle Sicherheitshinweise und Anweisungen. Versäumnisse bei der Einhaltung der Sicherheitshinweise und Anweisungen können elektrischen Schlag, Brand und/oder schwere Verletzungen verursachen.

Bewahren Sie alle Sicherheitshinweise und Anweisungen für die Zukunft auf.

Der in den Sicherheitshinweisen verwendete Begriff „Elektrowerkzeug“ bezieht sich auf netzbetriebene Elektrowerkzeuge (mit Netzkabel) und auf akkubetriebene Elektrowerkzeuge (ohne Netzkabel).

1. Arbeitsplatz-Sicherheit

- a) Halten Sie Ihren Arbeitsbereich sauber und gut beleuchtet. Unordnung und unbeleuchtete Arbeitsbereiche können zu Unfällen führen.
- b) Arbeiten Sie mit dem Elektrowerkzeug nicht in explosionsgefährdeter Umgebung, in der sich brennbare Flüssigkeiten, Gase oder Stäube befinden. Elektrowerkzeuge erzeugen Funken, die den Staub oder die Dämpfe entzünden können.
- c) Halten Sie Kinder und andere Personen während der Benutzung des Elektrowerkzeugs fern. Bei Ablenkung können Sie die Kontrolle über das Gerät verlieren.

2. Elektrische Sicherheit

- a) Der Anschlussstecker des Elektrowerkzeuges muss in die Steckdose passen. Der Stecker darf in keiner Weise verändert werden. Verwenden Sie keine Adapterstecker gemeinsam mit schutzgeerdeten Elektrowerkzeugen. Unveränderte Stecker und passende Steckdosen verringern das Risiko eines elektrischen Schlages.
- b) Vermeiden Sie Körperkontakt mit geerdeten Oberflächen, wie von Rohren, Heizungen, Herden und Kühlschränken. Es besteht ein erhöhtes Risiko durch elektrischen Schlag, wenn Ihr Körper geerdet ist.
- c) Halten Sie Elektrowerkzeuge von Regen oder Nässe fern. Das Eindringen von Wasser in ein Elektrogerät erhöht das Risiko eines elektrischen Schlages.
- d) Zweckenfremden Sie das Kabel nicht, um das Elektrowerkzeug zu tragen, aufzuhängen oder um den Stecker aus der Steckdose zu ziehen. Halten Sie das Kabel fern von Hitze, Öl, scharfen Kanten oder sich bewegenden Geräteteilen. Beschädigte oder verwickelte Kabel erhöhen das Risiko eines elektrischen Schlages.
- e) Wenn Sie mit einem Elektrowerkzeug im Freien arbeiten, verwenden Sie nur Verlängerungskabel, die auch für den Außenbereich zugelassen sind. Die Anwendung eines für den Außenbereich geeigneten Verlängerungskabels verringert das Risiko eines elektrischen Schlages.
- f) Wenn der Betrieb des Elektrowerkzeuges in feuchter Umgebung nicht vermeidbar ist, verwenden Sie einen Fehlerstromschutzschalter. Der Einsatz eines Fehlerstromschutzschalters vermindert das Risiko eines elektrischen Schlages.

DE
AT
CH

3. Sicherheit von Personen

- a) Seien Sie stets aufmerksam, achten Sie darauf, was Sie tun und gehen Sie mit Vernunft an die Arbeit mit einem Elektrowerkzeug. Benutzen Sie kein Elektrowerkzeug, wenn Sie krank oder müde oder unter dem Einfluss von Drogen, Alkohol oder Medikamenten stehen. Ein Moment der Unachtsamkeit beim Gebrauch des Elektrowerkzeuges kann zu ernsthaften Verletzungen führen.
- b) Tragen Sie persönliche Schutzausrüstung und immer eine Schutzbrille. Das Tragen persönlicher Schutzausrüstung wie Staubmaske, rutschfeste Sicherheitsschuhe, Schutzhelm oder Gehörschutz, je nach Art und Einsatz des Elektrowerkzeuges, verringert das Risiko von Verletzungen.
- c) Vermeiden Sie eine unbeabsichtigte Inbetriebnahme. Vergewissern Sie sich, dass das Elektrowerkzeug ausgeschaltet ist, bevor Sie es an die Stromversorgung und / oder den Akku anschließen, es aufnehmen oder tragen. Wenn Sie beim Tragen des Elektrowerkzeuges den Finger am Schalter haben oder das Gerät bereits eingeschaltet an die Stromversorgung anschließen, kann dies zu Unfällen führen.
- d) Entfernen Sie Einstellwerkzeuge oder Schraubenschlüssel, bevor Sie das Elektrowerkzeug einschalten. Ein Werkzeug oder Schlüssel, der sich in einem drehenden Geräteteil befindet, kann zu Verletzungen führen.
- e) Vermeiden Sie eine abnormale Körperhaltung. Sorgen Sie für einen sicheren Stand und halten Sie jederzeit das Gleichgewicht. Dadurch können Sie das Elektrowerkzeug in unerwarteten Situationen besser kontrollieren.
- f) Tragen Sie geeignete Kleidung. Tragen Sie keine weite Kleidung oder Schmuck. Halten Sie Haare, Kleidung und Handschuhe fern von sich bewegenden Teilen. Lockere Kleidung, Schmuck oder lange Haare können von sich bewegenden Teilen erfasst werden.
- g) Wenn Staubabsaug- und -auffangeinrichtungen montiert werden können, vergewissern Sie sich, dass diese angeschlossen sind und richtig verwendet werden. Die Verwendung einer Staubabsaugung kann Gefährdungen durch Staub verringern.

4. Verwendung und Behandlung des Elektrowerkzeugs

- a) Überlasten Sie das Gerät nicht. Verwenden Sie für Ihre Arbeit das dafür bestimmte Elektrowerkzeug. Mit dem passenden Elektrowerkzeug arbeiten Sie besser und sicherer im angegebenen Leistungsbereich.
- b) Benutzen Sie kein Elektrowerkzeug, dessen Schalter defekt ist. Ein Elektrowerkzeug, das sich nicht mehr ein- oder ausschalten lässt, ist gefährlich und muss repariert werden.
- c) Ziehen Sie den Stecker aus der Steckdose und / oder entfernen Sie den Akku, bevor Sie Geräteeinstellungen vornehmen, Zubehörteile wechseln oder das Gerät weglegen. Diese Vorsichtsmaßnahme verhindert den unbeabsichtigten Start des Elektrowerkzeuges.
- d) Bewahren Sie unbenutzte Elektrowerkzeuge außerhalb der Reichweite von Kindern auf. Lassen Sie Personen das Gerät nicht benutzen, die mit diesem nicht vertraut sind oder diese Anweisungen nicht gelesen haben. Elektrowerkzeuge sind gefährlich, wenn sie von unerfahrenen Personen benutzt werden.
- e) Pflegen Sie Elektrowerkzeuge mit Sorgfalt. Kontrollieren Sie, ob bewegliche Teile einwandfrei funktionieren und nicht klemmen, ob Teile gebrochen oder so beschädigt sind, dass die Funktion des Elektrowerkzeuges beeinträchtigt ist. Lassen Sie beschädigte Teile vor dem Einsatz des Gerätes reparieren. Viele Unfälle haben ihre Ursache in schlecht gewarteten Elektrowerkzeugen.
- f) Halten Sie Schneidwerkzeuge scharf und sauber. Sorgfältig gepflegte Schneidwerkzeuge mit scharfen Schneidkanten verklemmen sich weniger und sind leichter zu führen.
- g) Verwenden Sie Elektrowerkzeug, Zubehör, Einsatzwerkzeuge usw. entsprechend diesen Anweisungen. Berücksichtigen Sie dabei die Arbeitsbedingungen und die auszuführende Tätigkeit. Der Gebrauch von Elektrowerkzeugen für andere als die vorgesehenen Anwendungen kann zu gefährlichen Situationen führen.

5. Service

- a) Lassen Sie Ihr Elektrowerkzeug nur von qualifiziertem Fachpersonal und nur mit Original-Ersatzteilen reparieren. Damit wird sichergestellt, dass die Sicherheit des Elektrowerkzeugs erhalten bleibt.

Gerätespezifische Sicherheitshinweise

Sicherheitshinweise für alle Sägen

Sägeverfahren

- a)  **GEFAHR!** Kommen Sie mit Ihren Händen nicht in den Sägebereich und an das Sägeblatt. Halten Sie mit Ihrer zweiten Hand den Zusatzgriff oder das Motorgehäuse. Wenn beide Hände die Säge halten, können diese vom Sägeblatt nicht verletzt werden.
- b) **Greifen Sie nicht unter das Werkstück.** Die Schutzhaube kann Sie unter dem Werkstück nicht vor dem Sägeblatt schützen.
- c) **Passen Sie die Schnitt-Tiefe an die Dicke des Werkstücks an.** Es sollte weniger als eine volle Zahnhöhe unter dem Werkstück sichtbar sein.
- d) **Halten Sie das zu sägende Werkstück niemals in der Hand oder über dem Bein fest. Sichern Sie das Werkstück an einer stabilen Aufnahme.** Es ist wichtig, das Werkstück gut zu befestigen, um die Gefahr von Körperkontakt, Klemmen des Sägeblattes oder Verlust der Kontrolle zu minimieren.
- e) **Fassen Sie das Elektrowerkzeug nur an den isolierten Griffflächen an, wenn Sie Arbeiten ausführen, bei denen das Einsatzwerkzeug verborgene Stromleitungen treffen kann.** Kontakt mit einer spannungsführenden Leitung setzt auch die Metallteile des Elektrowerkzeugs unter Spannung und führt zu einem elektrischen Schlag.
- f) **Verwenden Sie beim Längsschneiden immer einen Anschlag oder eine gerade Kantenführung.** Dies verbessert die Schnittgenauigkeit und verringert die Möglichkeit, dass das Sägeblatt klemmt.

- g) **Verwenden Sie immer Sägeblätter in der richtigen Größe und mit passender Aufnahmebohrung (z.B. sternförmig oder rund).** Sägeblätter, die nicht zu den Montageteilen der Säge passen, laufen unrund und führen zum Verlust der Kontrolle.
- h) **Verwenden Sie niemals beschädigte oder falsche Sägeblatt-Unterlegscheiben oder -schrauben.** Die Sägeblatt-Unterlegscheiben und -schrauben wurden speziell für Ihre Säge konstruiert, für optimale Leistung und Betriebssicherheit.

Weitere Sicherheitshinweise für alle Sägen

Rückschlag - Ursachen und entsprechende Sicherheitshinweise:

- Ein Rückschlag ist die plötzliche Reaktion infolge eines hakenden, klemmenden oder falsch ausgerichteten Sägeblattes, die dazu führt, dass eine unkontrollierte Säge abhebt und sich aus dem Werkstück heraus in Richtung der Bedienperson bewegt;
- wenn sich das Sägeblatt in dem sich schließenden Sägespalt verhakt oder verklemmt, blockiert es, und die Motorkraft schlägt das Gerät in Richtung der Bedienperson zurück;
- wird das Sägeblatt im Sägeschnitt verdreht oder falsch ausgerichtet, können sich die Zähne der hinteren Sägeblattkante in der Oberfläche des Werkstücks verhaken, wodurch sich das Sägeblatt aus dem Sägespalt herausbewegt und die Säge in Richtung der Bedienperson zurückspringt.

Ein Rückschlag ist die Folge eines falschen oder fehlerhaften Gebrauchs der Säge. Er kann durch geeignete Vorsichtsmaßnahmen, wie nachfolgend beschrieben, verhindert werden.

- a) **Halten Sie die Säge mit beiden Händen fest und bringen Sie Ihre Arme in eine Stellung, in der Sie die Rückschlagkräfte abfangen können. Halten Sie sich immer seitlich des Sägeblattes, nie das Sägeblatt in eine Linie mit Ihrem Körper bringen.** Bei einem Rückschlag kann die Kreissäge rückwärts springen, jedoch kann die Bedienperson durch geeignete Vorsichtsmaßnahmen die Rückschlagkräfte beherrschen.

- b) Falls das Sägeblatt verklemmt oder Sie die Arbeit unterbrechen, schalten Sie die Säge aus und halten Sie sie im Werkstoff ruhig, bis das Sägeblatt zum Stillstand gekommen ist. **Versuchen Sie nie, die Säge aus dem Werkstück zu entfernen oder sie rückwärts zu ziehen, solange das Sägeblatt sich bewegt, sonst kann ein Rückschlag erfolgen.** Ermitteln und beheben Sie die Ursache für das Verklemmen des Sägeblattes.
- c) **Wenn Sie eine Säge, die im Werkstück steckt, wieder starten wollen, zentrieren Sie das Sägeblatt im Sägespalt und überprüfen Sie, ob die Sägezähne nicht im Werkstück verhakt sind.** Klemmt das Sägeblatt, kann es sich aus dem Werkstück heraus bewegen oder einen Rückschlag verursachen, wenn die Säge erneut gestartet wird.
- d) **Stützen Sie große Platten ab, um das Risiko eines Rückschlags durch ein klemmendes Sägeblatt zu vermindern.** Große Platten können sich unter ihrem Eigengewicht durchbiegen. Platten müssen auf beiden Seiten abgestützt werden, sowohl in der Nähe des Sägespalts als auch an der Kante.
- e) **Verwenden Sie keine stumpfen oder beschädigten Sägeblätter.** Sägeblätter mit stumpfen oder falsch ausgerichteten Zähnen verursachen durch einen zu engen Sägespalt eine erhöhte Reibung, Klemmen des Sägeblattes und Rückschlag.
- f) **Ziehen Sie vor dem Sägen die Schnitt-Tiefen und Schnitt-Winkeleinstellungen fest.** Wenn sich während des Sägens die Einstellungen verändern, kann sich das Sägeblatt verklemmen und ein Rückschlag auftreten.
- g) **Seien Sie besonders vorsichtig beim Sägen in bestehende Wände oder andere nicht einsehbare Bereiche.** Das eintauchende Sägeblatt kann beim Sägen in verborgene Objekte blockieren und einen Rückschlag verursachen.

Spezifische Sicherheitshinweise für diese Säge

Funktion der unteren Schutzhaube:

- a) Überprüfen Sie vor jeder Benutzung, ob die Schutzhaube einwandfrei schließt. Verwenden Sie die Säge nicht, wenn die Schutzhaube nicht frei beweglich ist und sich nicht sofort schließt. Klemmen oder binden Sie die Schutzhaube niemals fest; dadurch wäre das Sägeblatt ungeschützt. Sollte die Säge unbeabsichtigt zu Boden fallen, kann die Schutzhaube verbogen werden. Stellen Sie sicher, dass die Schutzhaube sich frei bewegt und bei allen Schnittwinkeln und -tiefen weder Sägeblatt noch andere Teile berührt.
- b) Überprüfen Sie Zustand und Funktion der Feder für die Schutzhaube. Lassen Sie die Säge vor dem Gebrauch warten, wenn Schutzhaube und Feder nicht einwandfrei arbeiten. Beschädigte Teile, klebrige Ablagerungen oder Anhäufungen von Spänen lassen die untere Schutzhaube verzögert arbeiten.
- c) **Sichern Sie beim „Tautschneit“, der nicht rechtwinklig ausgeführt wird, die Grundplatte der Säge gegen seitliches Verschieben.** Ein seitliches Verschieben kann zum Klemmen des Sägeblattes und damit zum Rückschlag führen.
- d) **Legen Sie die Säge nicht auf der Werkbank oder dem Boden ab, ohne dass die Schutzhaube das Sägeblatt bedeckt.** Ein ungeschütztes, nachlaufendes Sägeblatt bewegt die Säge entgegen der Schnittrichtung und sagt, was ihm im Weg ist. Beachten Sie dabei die Nachlaufzeit der Säge.

Ergänzende Anweisungen:

- Verwenden Sie keine Schleifscheiben.
- Verwenden Sie nur Sägeblätter mit Durchmessern entsprechend den Aufschriften auf der Säge.
- Beim Bearbeiten von Holz oder Materialien, bei denen gesundheitsgefährdender Staub entsteht, ist das Gerät an eine passende, geprüfte Absaugvorrichtung anzuschließen.
- Tragen Sie beim Sägen von Holz eine Staubschutzmaske.
- Verwenden Sie nur empfohlene Sägeblätter.

- Tragen Sie immer einen Gehörschutz.
- Vermeiden Sie ein Überhitzen der Sägezahnspitzen.
- Vermeiden Sie beim Sägen von Kunststoff ein Schmelzen des Kunststoffs.

Schutzhaube prüfen:

- Ziehen Sie den Rückziehhelb für Schutzhaube bis zum Anschlag. Die Schutzhaube muss ohne zu klemmen bewegbar sein und bei Loslassen des Rückziehhelbs für die Schutzhaube selbst in die Ausgangsposition zurückspringen.

Kreissägeblätter (Symbole)



Schutzhandschuhe tragen!



Atemschutz tragen!



Schutzbrille tragen!



Gehörschutz tragen!

**Sicherheitshinweise für
Trennschleifmaschinen**

- a) Die zum Elektrowerkzeug gehörende Schutzhaube muss sicher angebracht und so eingestellt sein, dass ein Höchstmaß an Sicherheit erreicht wird, d. h. der kleinstmögliche Teil des Schleifkörpers zeigt offen zur Bedienperson. Halten Sie und in der Nähe befindliche Personen sich außerhalb der Ebene der rotierenden Schleifscheibe auf. Die Schutzhaube soll die Bedienperson vor Bruchstücken und zufälligem Kontakt mit dem Schleifkörper schützen.
- b) Verwenden Sie ausschließlich diamantbesetzte Trennscheiben für Ihr Elektrowerkzeug. Nur weil Sie das Zubehör an Ihrem Elektrowerkzeug befestigen können, garantiert das keine sichere Verwendung.
- c) Die zulässige Drehzahl des Einsatzwerkzeugs muss mindestens so hoch sein wie die auf dem Elektrowerkzeug angegebene Höchstdrehzahl. Zubehör, das sich schneller als zulässig dreht, kann zerbrechen und umherfliegen.

- d) Schleifkörper dürfen nur für die empfohlenen Einsatzmöglichkeiten verwendet werden. Zum Beispiel: Schleifen Sie nie mit der Seitenfläche einer Trennscheibe. Trennscheiben sind zum Materialabtrag mit der Kante der Scheibe bestimmt. Seitliche Krafteinwirkung auf diese Schleifkörper kann sie zerbrechen.
- e) Verwenden Sie immer unbeschädigte Spannfleische in der richtigen Größe und Form für die von Ihnen gewählte Schleifscheibe. Geeignete Flansche stützen die Schleifscheibe und verringern so die Gefahr eines Schleifscheibenbruchs.
- f) Verwenden Sie keine abgenutzten Schleifscheiben von größeren Elektrowerkzeugen. Schleifscheiben für größere Elektrowerkzeuge sind nicht für die höheren Drehzahlen von kleineren Elektrowerkzeugen ausgelegt und können brechen.
- g) Außendurchmesser und Dicke des Einsatzwerkzeugs müssen den Maßangaben Ihres Elektrowerkzeugs entsprechen. Falsch bemessene Einsatzwerkzeuge können nicht ausreichend abgeschirmt oder kontrolliert werden.
- h) Schleifscheiben und Flansche müssen genau auf die Schleifspindel Ihres Elektrowerkzeugs passen. Einsatzwerkzeuge, die nicht genau auf die Schleifspindel des Elektrowerkzeugs passen, drehen sich ungleichmäßig, vibrieren sehr stark und können zum Verlust der Kontrolle führen.
- i) Verwenden Sie keine beschädigten Schleifscheiben. Kontrollieren Sie vor jeder Verwendung die Schleifscheiben auf Absplitterungen und Risse. Wenn das Elektrowerkzeug oder die Schleifscheibe herunterfällt, überprüfen Sie, ob es / sie beschädigt ist, oder verwenden Sie eine unbeschädigte Schleifscheibe. Wenn Sie die Schleifscheibe kontrolliert und eingesetzt haben, halten Sie und in der Nähe befindliche Personen sich außerhalb der Ebene der rotierenden Schleifscheibe auf und lassen Sie das Gerät eine Minute lang mit Höchstdrehzahl laufen. Beschädigte Schleifscheiben brechen meist in dieser Testzeit.
- j) Tragen Sie persönliche Schutzausrüstung. Verwenden Sie je nach Anwendung Vollgesichtsschutz, Augenschutz oder Schutzbrille.

DE
AT
CH

- Soweit angemessen, tragen Sie Staubmaske, Gehörschutz, Schutzhandschuhe oder Spezialschürze, die kleine Schleif- und Materialpartikel von Ihnen fernhält. Die Augen sollen vor herumfliegenden Fremdkörpern geschützt werden, die bei verschiedenen Anwendungen entstehen. Staub- oder Atemschutzmaske müssen den bei der Anwendung entstehenden Staub filtern. Wenn Sie lange lautem Lärm ausgesetzt sind, können Sie einen Hörverlust erleiden.
- k) **Achten Sie bei anderen Personen auf sicheren Abstand zu Ihrem Arbeitsbereich. Jeder, der den Arbeitsbereich betritt, muss persönliche Schutzausrüstung tragen.** Bruchstücke des Werkstücks oder gebrochener Einsatzwerkzeuge können wegfiegen und Verletzungen auch außerhalb des direkten Arbeitsbereichs verursachen.
 - l) **Halten Sie das Gerät nur an den isolierten Griffflächen, wenn Sie Arbeiten ausführen, bei denen das Einsatzwerkzeug verborgene Stromleitungen oder das eigene Netzkabel treffen kann.** Der Kontakt mit einer spannungsführenden Leitung kann auch metallene Geräteteile unter Spannung setzen und zu einem elektrischen Schlag führen.
 - m) **Halten Sie das Netzkabel von sich drehenden Einsatzwerkzeugen fern.** Wenn Sie die Kontrolle über das Gerät verlieren, kann das Netzkabel durchtrennt oder erfasst werden und Ihre Hand oder Ihr Arm in das sich drehende Einsatzwerkzeug geraten.
 - n) **Legen Sie das Elektrowerkzeug niemals ab, bevor das Einsatzwerkzeug völlig zum Stillstand gekommen ist.** Das sich drehende Einsatzwerkzeug kann in Kontakt mit der Ablagefläche geraten, wodurch Sie die Kontrolle über das Elektrowerkzeug verlieren können.
 - o) **Lassen Sie das Elektrowerkzeug nicht laufen, während Sie es tragen.** Ihre Kleidung kann durch zufälligen Kontakt mit dem sich drehenden Einsatzwerkzeug erfasst werden, und das Einsatzwerkzeug sich in Ihren Körper bohren.
 - p) **Reinigen Sie regelmäßig die Lüftungsschlitze Ihres Elektrowerkzeugs.** Das Motorgebläse zieht Staub in das Gehäuse, und eine starke Ansammlung von Metallstaub kann elektrische Gefahren verursachen.

- q) **Verwenden Sie das Elektrowerkzeug nicht in der Nähe brennbarer Materialien.** Funken können diese Materialien entzünden.
- r) **Verwenden Sie keine Einsatzwerkzeuge die flüssige Kühlmittel erfordern.** Die Verwendung von Wasser oder anderen flüssigen Kühlmitteln kann zu einem elektrischen Schlag führen.

Weitere Sicherheitshinweise für Trennschleifanwendungen

Rückschlag und entsprechende Sicherheitshinweise

Rückschlag ist die plötzliche Reaktion infolge einer hakenden oder blockierten drehenden Schleifscheibe. Verhaken oder Blockieren führt zu einem abrupten Stopp des rotierenden Einsatzwerkzeugs. Dadurch wird ein unkontrolliertes Elektrowerkzeug gegen die Drehrichtung des Einsatzwerkzeugs an der Blockierstelle beschleunigt.

Wenn z. B. eine Schleifscheibe im Werkstück hakt oder blockiert, kann sich die Kante der Schleifscheibe, die in das Werkstück eintaucht, verfangen und dadurch die Schleifscheibe ausbrechen oder einen Rückschlag verursachen. Die Schleifscheibe bewegt sich dann auf die Bedienperson zu oder von ihr weg, je nach Drehrichtung der Scheibe an der Blockierstelle. Hierbei können Schleifscheiben auch brechen.

Ein Rückschlag ist die Folge eines falschen oder fehlerhaften Gebrauchs des Elektrowerkzeugs. Er kann durch geeignete Vorsichtsmaßnahmen, wie nachfolgend beschrieben, verhindert werden.

- a) **Halten Sie das Elektrowerkzeug gut fest und bringen Sie Ihren Körper und Ihre Arme in eine Position, in der Sie die Rückschlagkräfte abfangen können.** Verwenden Sie immer den Zusatzgriff, falls vorhanden, um die größtmögliche Kontrolle über Rückschlagkräfte oder Reaktionsmomente beim Hochlauf zu haben. Die Bedienperson kann durch geeignete Vorsichtsmaßnahmen die Rückschlag- und Reaktionskräfte beherrschen.
- b) **Bringen Sie Ihre Hand nie in die Nähe sich drehender Einsatzwerkzeuge.** Das Einsatzwerkzeug kann sich beim Rückschlag über Ihre Hand bewegen.

- c) **Meiden Sie den Bereich vor und hinter der rotierenden Trennscheibe.** Der Rückschlag treibt das Elektrowerkzeug in die Richtung entgegengesetzt zur Bewegung der Schleifscheibe an der Blockierstelle.
- d) **Arbeiten Sie besonders vorsichtig im Bereich von Ecken, scharfen Kanten usw. Verhindern Sie, dass Einsatzwerkzeuge vom Werkstück zurückprallen und verklemmen.** Das rotierende Einsatzwerkzeug neigt bei Ecken, scharfen Kanten oder wenn es abprallt dazu, sich zu verklemmen. Dies verursacht einen Kontrollverlust oder Rückschlag.
- e) **Verwenden Sie kein Ketten- oder gezähntes Sägeblatt sowie keine segmentierte Diamantscheibe mit mehr als 10 mm breiten Schlitzten.** Solche Einsatzwerkzeuge verursachen einen Rückschlag oder den Verlust der Kontrolle über das Elektrowerkzeug.
- f) **Vermeiden Sie ein Blockieren der Trennscheibe oder zu hohen Anpressdruck. Führen Sie keine übermäßig tiefen Schnitte aus.** Eine Überlastung der Trennscheibe erhöht deren Beanspruchung und die Anfälligkeit zum Verkanten oder Blockieren und damit die Möglichkeit eines Rückschlags oder Schleifkörperbruchs.
- g) **Falls die Trennscheibe verklemmt oder Sie die Arbeit unterbrechen, schalten Sie das Gerät aus und halten Sie es ruhig, bis die Scheibe zum Stillstand gekommen ist. Versuchen Sie nie, die noch laufende Trennscheibe aus dem Schnitt zu ziehen, sonst kann ein Rückschlag erfolgen.** Ermitteln und beheben Sie die Ursache für das Verklemmen.
- h) **Schalten Sie das Elektrowerkzeug nicht wieder ein, solange es sich im Werkstück befindet. Lassen Sie die Trennscheibe erst ihre volle Drehzahl erreichen, bevor Sie den Schnitt vorsichtig fortsetzen.** Anderenfalls kann die Scheibe verhaken, aus dem Werkstück springen oder einen Rückschlag verursachen.
- i) **Stützen Sie Platten oder große Werkstücke ab, um das Risiko eines Rückschlags durch eine eingeklemmte Trennscheibe zu vermindern.** Große Werkstücke können sich unter ihrem eigenen Gewicht durchbiegen. Das Werkstück muss auf beiden Seiten der Scheibe abgesetzt

werden, und zwar sowohl in der Nähe des Trennschnitts als auch an der Kante.

- j) **Seien Sie besonders vorsichtig bei „Taschenschnitten“ in bestehende Wände oder andere nicht einsehbare Bereiche.** Die eintauchende Trennscheibe kann beim Schneiden in Gas- oder Wasserleitungen, elektrische Leitungen oder andere Objekte einen Rückschlag verursachen.

Ergänzende Anweisungen

Zulässige Trennscheibenkonstruktionen:

Diamantbesetzte, Scheibendurchmesser 85 mm, Scheibendicke max. 1,8 mm

- Tragen Sie immer eine Staubschutzmaske!
- Tragen Sie immer einen Gehörschutz!

Originalzubehör / -zusatzgeräte

- Benutzen Sie nur Zubehör und Zusatzgeräte, die in der Bedienungsanleitung angegeben sind bzw. deren Aufnahme mit dem Gerät kompatibel ist.

Trennsägeblatt (Symbole)



Gehörschutz tragen!



Schutzbrille tragen!



Sicherheitsschuhe tragen!



Schutzhandschuhe tragen!



Atemschutz tragen!



Nicht zulässig für Nassschleifen!



Zugelassener Durchmesser der Werkzeuge

Sicherheitshinweise für Schleifwerkzeuge

a) Allgemeines

Schleifwerkzeuge sind bruchempfindlich, daher ist äußerste Sorgfalt beim Umgang mit Schleifwerkzeugen erforderlich. Die Verwendung von beschädigten, falsch aufgespannten oder eingesetzten Schleifwerkzeugen ist gefährlich und kann zu schwerwiegenden Verletzungen führen.

b) Handhabung, Transport und Lagerung

Schleifwerkzeuge sind mit Sorgfalt zu behandeln und zu transportieren. Schleifwerkzeuge sind so zu lagern, dass sie keinen mechanischen Beschädigungen und schädigenden Umwelteinflüssen ausgesetzt sind.

Vermeiden Sie Lebensgefahr durch elektrischen Schlag:

- Kontrollieren Sie regelmäßig den Zustand von Gerät, Netzkabel und den Netzstecker. Nehmen Sie Geräte mit derart beschädigten Teilen nicht mehr in Betrieb. Öffnen Sie niemals das Gerät. Beschädigte Geräte, Netzanschlussleitung oder Netzstecker bedeuten Lebensgefahr durch elektrischen Schlag. Lassen Sie Reparatur- oder Austauscharbeiten nur von der Servicestelle oder einer Elektrofachkraft durchführen.
- Betreiben Sie das Gerät nicht, wenn es feucht ist, und auch nicht in feuchter Umgebung.
- Schließen Sie, wenn Sie im Freien arbeiten, das Gerät über einen Fehlerstrom (FI)-Schutzschalter mit maximal 30 mA Auslösestrom an. Verwenden Sie nur ein für den Außenbereich zugelassenes Verlängerungskabel.

HINWEIS

- ▶ Halten Sie das Netzkabel stets vom Wirkungskreis der Maschine fern und führen Sie es nach hinten von der Maschine weg.

Inbetriebnahme

Ein- und ausschalten

Einschalten:

- ◆ Ziehen Sie den EIN / AUS-Schalter **6** nach hinten.

Ausschalten:

- ◆ Lassen Sie den EIN / AUS-Schalter **6** los.

Tauchsperre lösen

- ◆ Drücken Sie die Tauchsperre **1** nach vorne und halten diese gedrückt.

Schnitt-Tiefe vorwählen

HINWEIS

- ▶ Wir empfehlen, die Schnitt-Tiefe möglichst ca. 2 mm größer als die Materialstärke zu wählen. Dadurch erzielen Sie einen sauberen Schnitt.
- ◆ Lösen Sie den Schnellspanhebel der Schnitt-Tiefenvorwahl **7**, und stellen Sie die gewünschte Schnitt-Tiefe an der Skala **7a** ein und klemmen Sie den Schnellspanhebel wieder fest.

Parallelanschlag montieren

- ◆ Lösen Sie die Schraube für Parallelanschlag **11a** an der Grundplatte **9** und setzen Sie den Parallelanschlag **11** in die Parallelanschlagaufnahme **10** ein. Ziehen Sie diese Schraube **11a** wieder fest.

Handhabung der Tauchsäge

1. Maschine auf das Material setzen und einschalten, wie in Kapitel »Ein- und ausschalten« beschrieben.
2. Richten Sie ggf. die Maschine am Parallelanschlag **11** oder an einer aufgezeichneten Linie aus.
3. Sägen Sie mit mäßigem Druck.

Sägeblatt-Typen:

Die mitgelieferten Sägeblatt-Typen decken die gängigsten Anwendungsbereiche ab.

HW-Kreissägeblatt 20 Z85 / 30:

Beschreibung: ø 85 mm, 30 HW-Zähne Eignung: Weichholz, Hartholz, Platten jeder Art, Kunststoffe

Trennsägeblatt diamantiert 21 Z85VR:

Beschreibung: ø 85 mm Vollrandscheibe Eignung: Keramik, Kunststoffe

HS-Kreissägeblatt 22 Z85 / 36:

Beschreibung: ø 85 mm, 36 Zähne - links / rechts geschränkt Eignung: Weichholz, Weichmetall wie Aluminium, Kupfer, Kunststoffe

Markierung Schnittlänge

- ◆ Orientieren Sie sich an den Markierungen für die max. Schnittlänge 8, um zu überprüfen, wo Ihr Schnitt anfängt bzw. aufhört.

Markierung Schnittlinie

Das Sichtfenster Schnittlinie dient der präzisen Führung der Maschine an der auf dem Werkstück aufgetragenen Schnittlinie.


- ◆ Für einen maßgenauen Schnitt setzen Sie die Maschine so auf das Werkstück, dass die Schnittmarkierung im Sichtfenster Schnittlinie 12 erscheint.

Spanabsaugung anschließen

- ◆ Schieben Sie den Absaugschlauch 19 auf den Anschluss zur Staubabsaugung 16.
- ◆ Schließen Sie eine zugelassene Staub- und Spanabsaugung an den Absaugschlauch 19 an.

Sägeblatt wechseln

1. Betätigen Sie die Spindelarreterierung 14 und lösen Sie mit dem Innensechskantschlüssel 15 die Spannschraube 13 (zum Öffnen im Uhrzeigersinn drehen). Nehmen Sie jetzt die Spannschraube mit Unterlegscheibe 18 und den Klemmflansch 17 ab (siehe auch Abb. B).
2. Setzen Sie die Schnitt-Tiefe auf die maximale Position.
3. Schwenken Sie die Grundplatte 9 nach oben.
4. Nehmen Sie das Sägeblatt 16 ab.
5. Einbau des Sägeblattes entsprechend in umgekehrter Reihenfolge wie beschrieben vornehmen.

6. Betätigen Sie die Spindelarreterierung 14 (bis sie einrastet) und ziehen Sie mit dem Innensechskantschlüssel die Spannschraube 13 fest.
- Der Pfeil auf dem Sägeblatt muss mit dem Drehrichtungspfeil  (Laufrichtung, am Gerät markiert) übereinstimmen.

Reinigung und Wartung



WARNUNG! VERLETZUNGSGEFAHR!
Bevor Sie Arbeiten am Gerät durchführen, ziehen Sie immer den Netzstecker aus der Steckdose.

- Reinigen Sie das Gerät nach Abschluss der Arbeit.
- Verwenden Sie zur Reinigung des Gehäuses ein Tuch und keinesfalls Benzin, Lösungsmittel oder Reiniger.

Entsorgung



Die Verpackung besteht aus umweltfreundlichen Materialien, die Sie über die örtlichen Recyclingstellen entsorgen können.



Werfen Sie Elektrowerkzeuge nicht in den Hausmüll!

Gemäß Europäischer Richtlinie 2012/19/EU müssen verbrauchte Elektrowerkzeuge getrennt gesammelt und einer umweltgerechten Wiederverwertung zugeführt werden.

Möglichkeiten zur Entsorgung des ausgedienten Gerätes erfahren Sie bei Ihrer Gemeinde- oder Stadtverwaltung.

Garantie

Sie erhalten auf dieses Gerät 3 Jahre Garantie ab Kaufdatum. Das Gerät wurde sorgfältig produziert und vor Anlieferung gewissenhaft geprüft. Bitte bewahren Sie den Kassenbon als Nachweis für den Kauf auf. Bitte setzen Sie sich im Garantiefall mit Ihrer Servicestelle telefonisch in Verbindung. Nur so kann eine kostenlose Einsendung Ihrer Ware gewährleistet werden.

Die Garantieleistung gilt nur für Material- oder Fabrikationsfehler, nicht aber für Transportschäden, Verschleißteile oder für Beschädigungen an zerbrechlichen Teilen, z. B. Schalter oder Akkus. Das Produkt ist lediglich für den privaten und nicht für den gewerblichen Gebrauch bestimmt. Bei missbräuchlicher und unsachgemäßer Behandlung, Gewaltanwendung und bei Eingriffen, die nicht von unserer autorisierten Service-Niederlassung vorgenommen wurden, erlischt die Garantie. Ihre gesetzlichen Rechte werden durch diese Garantie nicht eingeschränkt. Die Garantiezeit wird durch die Gewährleistung nicht verlängert. Dies gilt auch für ersetzte und reparierte Teile. Eventuell schon beim Kauf vorhandene Schäden und Mängel müssen sofort nach dem Auspacken gemeldet werden, spätestens aber zwei Tage nach Kaufdatum. Nach Ablauf der Garantiezeit anfallende Reparaturen sind kostenpflichtig.

Service

WARNUNG!

- ▶ Lassen Sie Ihre Geräte von der Servicestelle oder einer Elektrofachkraft und nur mit Original-Ersatzteilen reparieren. Damit wird sichergestellt, dass die Sicherheit des Gerätes erhalten bleibt.
- ▶ Lassen Sie den Austausch des Steckers oder der Netzleitung immer vom Hersteller des Gerätes oder seinem Kundendienst ausführen. Damit wird sichergestellt, dass die Sicherheit des Gerätes erhalten bleibt.

Service Deutschland

Tel.: 0800 5435 111 (Kostenfrei aus dem dt. Festnetz/Mobilfunknetz)
E-Mail: kompernass@lidl.de
IAN 273278

Service Österreich

Tel.: 0820 201 222 (0,15 EUR/Min.)
E-Mail: kompernass@lidl.at
IAN 273278

Service Schweiz

Tel.: 0842 665566 (0,08 CHF/Min., Mobilfunk max. 0,40 CHF/Min.)
E-Mail: kompernass@lidl.ch
IAN 273278

Erreichbarkeit Hotline: Montag bis Freitag von 8:00 Uhr – 20:00 Uhr (MEZ)

Importeur

KOMPERNASS HANDELS GMBH
BURGSTRASSE 21
44867 BOCHUM
GERMANY
www.kompernass.com

Original- Konformitätserklärung

Wir, KOMPERNASS HANDELS GMBH, Dokumentenverantwortlicher: Herr Semi Uguzlu, BURGSTR. 21, 44867 BOCHUM, DEUTSCHLAND, erklären hiermit, dass dieses Produkt mit den folgenden Normen, normativen Dokumenten und EG-Richtlinien übereinstimmt:

**Maschinenrichtlinie
(2006 / 42 / EC)**

**Elektromagnetische Verträglichkeit
(2004 / 108 / EC)**

**RoHS Richtlinie
(2011 / 65 / EU)**

Angewandte harmonisierte Normen:

EN 60745-1 / A11: 2010

EN 60745-2-5: 2010

EN 60745-2-22 / A11: 2013

EN 55014-1 / A2: 2011

EN 55014-2 / A2: 2008

EN 61000-3-2 / A2: 2009

EN 61000-3-3: 2013

Typ / Gerätebezeichnung:

Tauchsäge PTS 500 A1

Herstellungsjahr: 08-2015

Seriennummer: IAN 273278

Bochum, 24.08.2015



Semi Uguzlu

- Qualitätsmanager -

Technische Änderungen im Sinne der Weiterentwicklung sind vorbehalten.

KOMPERNASS HANDELS GMBH

BURGSTRASSE 21

44867 BOCHUM

DEUTSCHLAND/GERMANY

www.kompernass.com

Last Information Update · Tilstand af information · Version des informations

Stand van de informatie · Stand der Informationen:

08/2015 · Ident.-No.: PTS500A1-082015-2

IAN 273278