



www.lidl-service.com



PLUNGE SAW PTS 500 A1

GB IE CY

PLUNGE SAW

Translation of the original instructions

DE AT CH

TAUCHSÄGE

Originalbetriebsanleitung

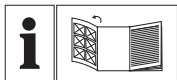
GR CY

ΣΕΓΑ

Μετάφραση των αυθεντικών οδηγιών λειτουργίας

IAN 273278

GB IE
CY



GB IE CY

Before reading, unfold the page containing the illustrations and familiarise yourself with all functions of the device.

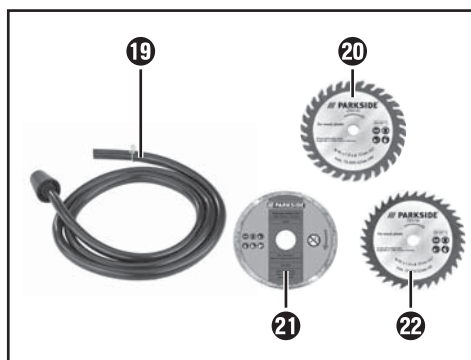
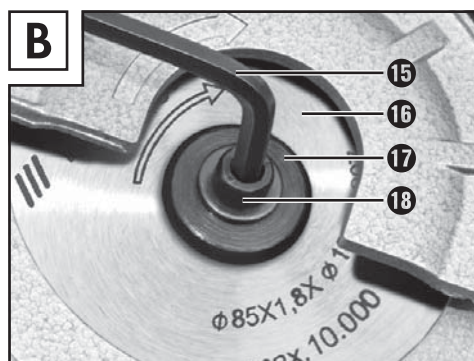
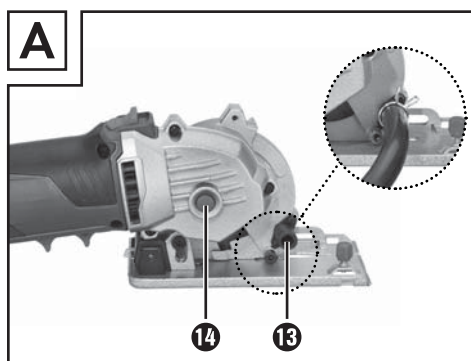
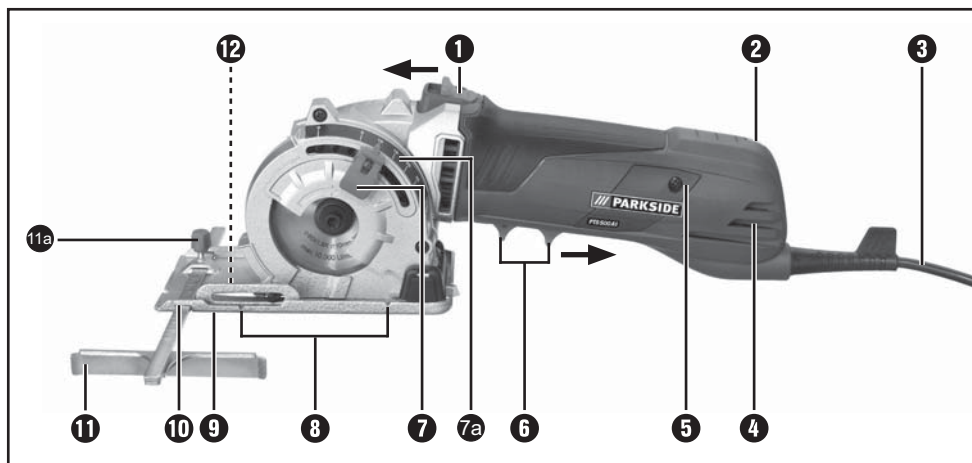
GR CY

Πριν ξεκινήσετε την ανάγνωση, ανοίξτε τις δυο σελίδες με τις εικόνες και εξοικειωθείτε με όλες τις λειτουργίες της συσκευής.

DE AT CH

Klappen Sie vor dem Lesen die Seite mit den Abbildungen aus und machen Sie sich anschließend mit allen Funktionen des Gerätes vertraut.

GB/IE/CY	Translation of the original instructions	Page	1
GR/CY	Μετάφραση των αυθεντικών οδηγιών λειτουργίας	Σελίδα	15
DE/AT/CH	Originalbetriebsanleitung	Seite	29



Contents

Introduction	2
Intended use	2
Features	2
Package contents	2
Technical data	2
General Power Tool Safety Warnings	3
1. Work area safety	3
2. Electrical safety	3
3. Personal safety	4
4. Power tool use and care	4
5. Service	5
Appliance-specific safety instructions	5
Safety instructions for all saws	5
Further safety instructions for all saws	5
Specific safety instructions for this saw	6
Safety instructions for abrasive cutting appliances	7
Further safety instructions for abrasive cutting applications	8
Supplementary notes	9
Original accessories/auxiliary equipment	9
Safety instructions for grinding tools	10
Operation	10
Switching on and off	10
Releasing the plunge lock	10
Selecting the cutting depth	10
Fitting the rip fence	10
Handling the plunge saw	10
Markings for cut length	11
Markings for cutting line	11
Connecting the sawdust extraction device	11
Changing the saw blade	11
Cleaning and maintenance	11
Disposal	11
Warranty	12
Service	12
Importer	12
Translation of the original Conformity Declaration	13

PLUNGE SAW PTS 500 A1

Introduction



Congratulations on the purchase of your new appliance. You have selected a high-quality product. The operating instructions

are part of this product. They contain important information on safety, usage and disposal. Before using the product, familiarise yourself with all handling and safety guidelines. Use the product only as described and for the range of applications specified. Please also pass these operating instructions on to any future owner.

Intended use

The appliance is primarily designed for sawing longitudinal and cross cuts in a plunge saw cut into firmly supported solid wood, chip board, plywood, aluminium, tiles, stone, plastics, and lightweight construction materials. Please note that the pre-assembled saw blade is only suitable for use with wood. Any other usage of or modification to the appliance is considered improper and carries the risk of serious personal injury. Not for commercial use.

Features

- 1 Mechanical plunge lock
- 2 Power On / control lamp
- 3 Power cord
- 4 Ventilation slits
- 5 Cover for carbon brushes
- 6 ON / OFF switch
- 7 Cutting depth setting
- 7a Dial for cutting depth
- 8 Markings for cut length
- 9 Base plate
- 10 Rip fence slot
- 11 Rip fence
- 11a Screw for rip fence
- 12 Viewing window for cutting line
- 13 Connection to dust extraction
- 14 Spindle lock
- 15 Allen key
- 16 Saw blade
- 17 Clamping flange

- 18 Clamping screw and washer
- 19 Suction hose
- 20 HW circular saw blade Z85 / 30
- 21 Diamond-coated cutting saw blade Z85VR
- 22 HS circular saw blade Z85 / 36

Package contents

- 1 plunge saw PTS 500 A1
- 1 HW circular saw blade Z85 / 30
- 1 diamond-coated cutting saw blade Z85VR
- 1 HS circular saw blade Z85 / 36
- 1 rip fence
- 1 suction hose
- 1 Allen key
- 1 carrying case
- 1 set of operating instructions

Technical data

Nominal power:	500 W
Rated voltage:	230 V ~, 50 Hz
Idle speed:	n_0 4500 min ⁻¹
Max. cutting depth:	25 mm
Protection class:	II/□

Noise and vibration data:

Noise measurement value determined in accordance with EN 60745. The A-rated noise level of the power tool is typically as follows:

Sound pressure level:	82 dB(A)
Sound power level:	93 dB(A)
Uncertainty K:	3 dB



Wear hearing protection!

Weighted acceleration, typically:

Hand/arm vibration $a_h = 2.266 \text{ m/s}^2$
 Uncertainty K = 1.5 m/s^2

⚠ WARNING!

- The vibration level specified in these instructions has been measured in accordance with the standardised measuring procedure specified in EN 60745 and can be used for equipment comparisons. The specified vibration emission value can also be used to make an initial exposure estimate. The vibration level varies in accordance with the use of the power tool and may be higher than the value specified in these instructions in some cases. There is a risk of underestimation of the vibration load if the power tool is used regularly in this manner.

NOTE

- ▶ For an accurate estimate of the vibration load during a specific working period, the periods during which the appliance is switched off or is running but not actually being used must also be taken into consideration. This can significantly reduce the vibration load over the total working period.

⚠ General Power Tool Safety Warnings

⚠ WARNING!

- ▶ Read all safety warnings and all instructions. Failure to follow the warnings and instructions may result in electric shock, fire and/or serious injury.

Save all warnings and instructions for future reference.

The term "power tool" in the warnings refers to your mains-operated (corded) power tool or battery-operated (cordless) power tool

1. Work area safety

- a) **Keep your work area clean and well lit.** Cluttered or dark areas invite accidents.
- b) **Do not operate power tools in explosive atmospheres, such as in the presence of flammable liquids, gases or dust.** Power tools create sparks which may ignite the dust or fumes.
- c) **Keep children and bystanders away while operating a power tool.** Distractions can cause you to lose control.

2. Electrical safety

- a) **Power tool plugs must match the outlet.** Never modify the plug in any way. Do not use any adapter plugs with earthed (grounded) power tools. Unmodified plugs and matching outlets will reduce risk of electric shock.
- b) **Avoid body contact with earthed or grounded surfaces, such as pipes, radiators, ranges and refrigerators.** There is an increased risk of electric shock if your body is earthed or grounded.
- c) **Do not expose power tools to rain or wet conditions.** Water entering a power tool will increase the risk of electric shock.
- d) **Do not abuse the cord. Never use the cord for carrying, pulling or unplugging the power tool. Keep cord away from heat, oil, sharp edges or moving parts.** Damaged or entangled cords increase the risk of electric shock.
- e) **When operating a power tool outdoors, use an extension cord suitable for outdoor use.** Use of a cord suitable for outdoor use reduces the risk of electric shock.
- f) **If operating a power tool in a damp location is unavoidable, use a residual current device (RCD) protected supply.** Use of an RCD reduces the risk of electric shock.

3. Personal safety

- a) **Stay alert, watch what you are doing and use common sense when operating a power tool. Do not use a power tool while you are tired or under the influence of drugs, alcohol or medication.** A moment of inattention while operating power tools may result in serious personal injury.
- b) **Use personal protective equipment. Always wear eye protection.** Protective equipment such as dust mask, non-skid safety shoes, hard hat, or hearing protection used for appropriate conditions will reduce personal injuries.
- c) **Prevent unintentional starting. Ensure the switch is in the off-position before connecting to power source and/or battery pack, picking up or carrying the tool.** Carrying power tools with your finger on the switch or energising power tools that have the switch on invites accidents.
- d) **Remove any adjusting key or wrench before turning the power tool on.** A wrench or a key left attached to a rotating part of the power tool may result in personal injury.
- e) **Do not overreach. Keep proper footing and balance at all times.** This enables better control of the power tool in unexpected situations.
- f) **Dress properly. Do not wear loose clothing or jewellery. Keep your hair, clothing and gloves away from moving parts.** Loose clothes, jewellery or long hair can be caught in moving parts.
- g) **If devices are provided for the connection of dust extraction and collection facilities, ensure these are connected and properly used.** Use of dust collection can reduce dust-related hazards.

4. Power tool use and care

- a) **Do not force the power tool. Use the correct power tool for your application.** The correct power tool will do the job better and safer at the rate for which it was designed.
- b) **Do not use the power tool if the switch does not turn it on and off.** Any power tool that cannot be controlled with the switch is dangerous and must be repaired.
- c) **Disconnect the plug from the power source and/or the battery pack from the power tool before making any adjustments, changing accessories, or storing power tools.** Such preventive safety measures reduce the risk of starting the power tool accidentally.
- d) **Store idle power tools out of the reach of children and do not allow persons unfamiliar with the power tool or these instructions to operate the power tool.** Power tools are dangerous in the hands of untrained users.
- e) **Maintain power tools. Check for misalignment or binding of moving parts, breakage of parts and any other condition that may affect the power tool's operation. If damaged, have the power tool repaired before use.** Many accidents are caused by poorly maintained power tools
- f) **Keep cutting tools sharp and clean.** Properly maintained cutting tools with sharp cutting edges are less likely to bind and are easier to control.
- g) **Use the power tool, accessories and tool bits etc. in accordance with these instructions, taking into account the working conditions and the work to be performed.** Use of the power tool for operations different from those intended could result in a hazardous situation.


5. Service

- a) Have your power tool serviced by a qualified repair person using only identical replacement parts. This will ensure that the safety of the power tool is maintained.

Appliance-specific safety instructions

Safety instructions for all saws

Cutting procedures

- a)  **DANGER!** Keep hands away from the cutting area and saw blade. Keep your second hand on the auxiliary handle or motor housing. If both hands are holding the saw, they cannot be injured by the saw blade.
- b) Do not reach underneath the workpiece. The blade guard cannot protect you from the saw blade below the workpiece.
- c) Adapt the cutting depth to the thickness of the workpiece. Less than a full tooth height should be visible below the workpiece.
- d) Never hold the workpiece that is being cut in your hands or across your leg. Secure the workpiece to a stable support. It is important to secure the workpiece properly to minimise the risk of body contact, the saw blade jamming or the loss of control.
- e) Only hold the power tool by the insulated gripping surfaces when performing an operation during which the cutting tool may hit hidden wiring. Contact with a "live" wire will also electrify exposed metal parts of the power tool and could give the operator an electric shock.
- f) When making longitudinal cuts, always use a rip fence or straight edge guide. This improves the accuracy of the cut and reduces the chance of the blade jamming.
- g) Always use the correct size of saw blades and an appropriate central fixing bore (e.g. star-shaped or round). Saw blades that do not fit the mounting components of the saw will run eccentrically, causing loss of control.

- h) Never use damaged or incorrect saw blade washers or screws. The saw blade washers and screws have been specially designed for your saw to provide optimum performance and operational safety.

Further safety instructions for all saws

Kickback - causes and corresponding safety instructions

- A kickback is a sudden reaction caused as a result of the saw blade catching, jamming or being falsely aligned, causing the saw to jump up uncontrollably and out of the workpiece in the direction of the operator;
- if the saw blade catches or jams in a narrowing saw cut, the blade can no longer rotate and the power of the motor throws the appliance back in the direction of the operator;
- if the saw blade twists in the saw cut or becomes misaligned, the teeth at the rear edge of the saw blade can become caught in the surface of the workpiece, causing the saw blade to jump out of the cut and the saw to jump backwards in the direction of the operator.

A kickback is caused by incorrect use or misuse of the saw. This can be avoided by taking proper precautions as given below.

- a) Hold the saw firmly in both hands and position your arms so that they can absorb the force of a kickback. Position your body to either side of the saw blade, never in line with the saw blade. If a kickback occurs, the circular saw may jump backwards. By taken appropriate precautions, however, the operator can control the kickback forces.
- b) If the saw blade jams or you stop working, switch the saw off and hold it steadily in the workpiece until the saw blade has completely stopped turning. Never attempt to remove the saw from the workpiece or pull it backwards while the saw blade is still moving as this could lead to a kickback. Find out why the saw blade has jammed and remove the problem.

- c) If you want to restart a saw that is still in the workpiece, centre the saw blade in the cut and check to ensure that the teeth are not caught anywhere in the workpiece. If the saw blade catches it can jump out of the workpiece or cause a kickback when the saw is restarted.
- d) Support large panels or boards to reduce the risk of the saw blade jamming and causing a kickback. Large panels tend to bend under their own weight. Panels must be supported on both sides, both the vicinity of the saw cut and also at the edge.
- e) Do not use blunt or damaged saw blades. Saw blades with blunt or misaligned teeth may cause excessive friction as the saw cut is too narrow, and can cause a sawblade jam and kickback.
- f) Before sawing, ensure that the fastenings for the cut depth and cut angle settings are tightened. If the settings change while sawing, the saw blade might jam and cause a kickback.
- g) Be particularly careful when sawing in existing walls or other obscured areas. The inserted saw blade could get caught on hidden objects and cause a kickback.

Specific safety instructions for this saw

Function of the lower blade guard:

- a) Before every use, check to ensure that the blade guard closes properly. Do not use the saw if the lower blade guard does not move freely and does not close immediately. Never jam or fasten the blade guard; this would leave the saw blade unprotected. If the saw accidentally falls to the floor, the blade guard might bend. Ensure that the blade guard moves freely and does not touch the saw blade or other parts at any cutting angles or depths.
- b) Check the condition and function of the spring for the blade guard. Have the saw serviced before using it if the blade guard and spring are not working properly. Damaged parts, sticky deposits or accumulations of chippings can cause the lower blade guard to operate slowly.
- c) When making a "plunge cut" that is not at right angles, secure the base plate of the saw to prevent any lateral movement. Lateral movement can cause the saw blade to jam, thus causing a kickback.
- d) Do not leave the saw on the work bench or floor if the blade guard is not fully covering the saw blade. An unprotected, coasting saw blade will move the saw in the opposite direction to the cutting direction saw anything in its path. Always take into account that the saw blade takes some time to stop spinning.

Supplementary notes

- Do not use any grinding discs.
- Use only saw blades with diameters corresponding to the label on the saw.
- When sawing wood or other materials that create dusts that are hazardous to health, always connect the appliance to a suitable, certified suction appliance.
- Wear a dust mask when sawing wood.
- Only use recommended saw blades.
- Always wear ear protectors.
- Do not allow the teeth of the saw blade to overheat.
- When sawing plastic, avoid melting the plastic.

Checking the blade guard:

- Pull the release lever for the blade guard as far as it will go. The blade guard should move without jamming. When letting go of the release lever for the blade guard, it should automatically jump back to its original position.

Circular saw blades (symbols)



Wear protective gloves!



Wear a dust mask!



Wear protective glasses!



Wear ear protectors!

Safety instructions for abrasive cutting appliances

- a) The blade guard, which is a part of the power tool, must be attached securely and set in a way that ensures maximum safety, i.e. the smallest possible amount of the grinding tool is exposed to the operator. Ensure that you and anyone else in the vicinity remain outside of the range of the rotating grinding disc. The blade guard is designed to protect the operator from fragments and accidental contact with the grinding tool.
 - b) Use only diamond-coated cutting discs for your power tool. Just because you can attach the accessories to your power tool, does not ensure they are safe to use.
 - c) The permissible speed of the accessory tool used must be at least as high as the maximum speed specified for the power tool. Accessories that rotate faster than the permissible rate can break and throw pieces into the air.
 - d) Grinding tools should only be used for the recommended applications.
For example: Never grind with the side surface of a cutting disc. Cutting discs are designed to remove material with the edge of the disc. Any lateral application of force on these grinding tools can lead to breakage.
- e) Always use an undamaged clamping flange of the correct size and shape for the selected grinding disc. Suitable flanges support the grinding disc and reduce the risk of disc breakage.
 - f) Do not use worn grinding discs from larger power tools. Grinding discs for larger power tools are not designed for the higher rotational speeds of smaller power tools and can break.
 - g) The external diameter and thickness of the accessory tool used must comply with the dimensions of your power tool. Incorrectly dimensioned accessory tools cannot be sufficiently shielded or controlled.
 - h) Grinding discs and flanges must fit precisely onto the grinding spindle of your power tool. Accessory tools which do not precisely fit on the grinding spindle of the power tool will rotate unevenly, vibrate severely and can lead to a loss of control.
 - i) Do not use damaged grinding discs. Check the grinding discs before each use for chips and cracks. If the power tool or grinding disc is dropped, check to see if it is damaged, or use an undamaged grinding disc. After checking and inserting the grinding disc, ensure that you and any other people in the vicinity remain outside of the range of the rotating grinding disc, and allow the tool to rotate at maximum speed for one minute. Damaged grinding discs usually break during this test period.
 - j) Wear personal protective equipment. Depending on the application, ensure that you use full face protection, eye protection or goggles. If required, use a dust mask, ear protectors, protective gloves or special apron to protect you from grindings and material particles. Eyes should be protected from flying debris that may be generated during certain applications. Dust or filter masks must filter any dust created by the application. If you are exposed to loud noise for any length of time, you may suffer hearing loss.

- k) Ensure that other people remain at a safe distance to your workspace. Anyone who enters the workspace must wear personal protective equipment. Fragments of the workpiece or broken accessory tools can fly off and cause injury – even outside the immediate working area.
- l) **Hold the power tool only by the insulated handles while you are carrying out work during which the accessory tool may come into contact with concealed power cables or the tool's own power cord.** Contact with a live cable may also cause metal parts of the appliance to become live and may result in an electric shock.
- m) **Keep the power cord away from any rotating accessories.** If you lose control of the appliance, the cord may get cut or caught and your hand or arm could get caught in the rotating accessory tool.
- n) **Never put the power tool down until the accessory tool has come to a complete standstill.** The rotating accessory tool can come into contact with the surface and cause you to lose control of the power tool.
- o) **Do not leave the power tool running whilst carrying it.** Accidental contact between your clothing and the rotating accessory tool could cause your clothing to get caught and the accessory tool to penetrate a part of your body.
- p) **Clean the ventilation slits of your power tool regularly.** The engine fan draws dust into the housing and a strong accumulation of metal dust can cause electrical hazards.
- q) **Do not use the power tool in the vicinity of flammable materials.** Sparks can ignite such materials.
- r) **Do not use any accessory tools which require liquid coolant.** The use of water or other liquid coolants may lead to electric shock.

Further safety instructions for abrasive cutting applications

Kickback and corresponding safety instructions

Kickback is the sudden reaction caused when a rotating grinding disc catches or jams. Catching or jamming causes the rotating accessory tool to stop abruptly. If this happens, an uncontrolled power tool turns rapidly against the direction of rotation of the accessory tool caught in the blockage.

If, for example, a grinding disc catches or jams, the edge of the grinding disc that is projecting into the workpiece can get caught and break off the grinding disc or cause a kickback. The grinding disc can then fly in the direction of the operator or away from him, depending on the direction of rotation of the disc at the blockage. This can also break grinding discs.

A kickback is caused by incorrect use or misuse of the power tool. This can be avoided by taking proper precautions as given below.

- a) **Hold the power tool firmly in both hands and position your body and arms so they can absorb the force of a kickback. Always use the additional handle, if available, so you have maximum control over the kickback force or reaction torques at full speed.** By taking adequate precautions, the operator can stay in control of the kickback and reaction torques.
- b) **Never hold your hand close to rotating accessory tools.** The accessory tool could hit your hand in the event of a kickback.
- c) **Avoid the area in front of and behind the rotating cutting disc.** The kickback will force the power tool in the opposite direction to the direction of rotation of the grinding disc at the blockage.
- d) **Take special care when working around corners, sharp edges, etc. Avoid allowing the accessory tool to bounce back from the workpiece, or jam.** The rotating accessory tool is more likely to jam in corners or sharp edges or if it bounces. This can cause a loss of control or kickback.

- e) Do not use a toothed or chain saw blade or segmented diamond-coated disc with more than 10 mm wide slits. Such accessory tools cause a kickback or loss of control over the power tool.
- f) Avoid cutting disc jams or excessive contact pressure. Do not make any excessively deep cuts. Overloading the cutting disc increases the stress and likelihood of tilting or jamming and thus the possibility of kickback or breakage of the grinding tool.
- g) If the cutting disc jams or you stop working, switch the tool off and hold it steady until the disc has completely stopped turning. Never attempt to pull a rotating cutting disc out of a cut. This could lead to kickback. Identify and remove the cause of the jam.
- h) Do not switch the power tool back on as long as it is in the workpiece. Allow the cutting disc to reach its full speed before you carefully continue the cut. Otherwise, the disc may jam, jump out of the workpiece or cause kickback.
- i) Support panels or large workpieces to reduce the risk of the cutting disc jamming and causing a kickback. Large workpieces can bend under their own weight. The workpiece must be deposited on both sides of the disc, namely in the vicinity of the cutting disc and also at the edge.
- j) Be particularly careful when making "pocket cuts" into existing walls or other obscured areas. The protruding cutting disc may cut gas or water pipes, electrical wiring or other objects that can cause kickback.

Original accessories/auxiliary equipment

- Only use the accessories and additional equipment that are specified in the operating instructions and are compatible with the appliance.

Cutting saw blade (symbols)



Wear ear protectors!



Wear protective glasses!



Wear safety shoes!



Wear protective gloves!



Wear a dust mask!



Not approved for wet grinding!



Approved diameter of tools

Supplementary notes

Approved cutting disc designs:

Diamond-coated, disc diameter 85 mm, disc thickness max. 1.8 mm

- Always wear a dust mask!
- Always wear ear protectors!

Safety instructions for grinding tools

a) General

Grinding tools are very fragile and likely to break which is why great care must be taken when handling the grinding tools. Using damaged, incorrectly clamped or incorrectly installed grinding discs is dangerous and may cause serious injury.

b) Handling, transport and storage

Grinding tools are to be treated with care and transported carefully. Grinding tools should be stored in such a way that they are not exposed to mechanical damage or harmful environmental influences.

Avoid any risk of an electric shock.

- Check the condition of the device, power cord and power plug at regular intervals. Stop using appliances where the aforementioned parts are damaged. Never open the device. Damaged appliances, power cords or power plugs cause danger to life by electric shock. Have repairs and replacement work done only by the Service centre or a qualified electrician.
- Do not operate the appliance if it is damp or in a humid environment.
- When working outdoors, connect the appliance via a fault current circuit breaker with a maximum tripping current of 30 mA. Use only an extension cord approved for outdoor use.

NOTE

- ▶ Always hold the power cord away from the working area of the machine and run it to the rear away from the machine.

Operation

Switching on and off

Switching on:

- ◆ Pull the ON / OFF switch **6** back.

Switching off:

- ◆ Release the ON/OFF switch **6**.

Releasing the plunge lock

- ◆ Push the plunge lock **1** forward and keep it pressed.

Selecting the cutting depth

NOTE

- ▶ We generally recommend setting the cutting depth to approx. 2 mm more than the thickness of the material. This ensures that you achieve a clean cut.
- ◆ Release the quick-release lever for setting the cutting depth **7**, and set the desired cutting depth on the dial **7a** and clamp the quick-release lever again.

Fitting the rip fence

- ◆ Loosen the rip fence screw **11a** on the base plate **9** and insert the rip fence **11** into the rip fence slot **10**. Tighten the screw **11a** again.

Handling the plunge saw

1. Place the machine on the material and switch on, as described in the chapter "Switching on and off".
2. If necessary, align the machine using the rip fence **11** or by using a marked line.
3. Saw by applying moderate pressure.

Types of saw blades:

The types of saw blades supplied cover the most common fields of application.

HW circular saw blade 20 Z85 / 30:

Description: ø 85 mm, 30 HW teeth Suitability: soft wood, hard wood, any kind of panel, plastics

Diamond-coated cutting saw blade 21 Z85VR:

Description: ø 85 mm, full edge disc Suitability: ceramics, plastics

HS circular saw blade 22 Z85 / 36:

Description: ø 85 mm, 36 teeth – cross-cut left / right Suitability: soft wood, soft metal such as aluminium, copper, plastics

Markings for cut length

- ◆ Use the markings for the max. cut length 8, to check where your cut starts and ends.

Markings for cutting line

The viewing window for the cutting line helps you accurately guide machine along the cutting line on the workpiece.

- ◆ For a true to size cut, place the machine onto the workpiece so that the cut marking appears in the viewing window for the cutting line 12.

Connecting the sawdust extraction device

- ◆ Push the suction hose 19 onto the dust extractor connector 18.
- ◆ Attach an approved dust and sawdust extractor to the suction hose 19.

Changing the saw blade

1. Actuate the spindle lock 14 and use the Allen key 15 to loosen the clamping screw 18 (turn clockwise to open). Now remove the clamping screw and washer 18 and the clamping flange 17 (see also Fig. B).
2. Set the cutting depth to the maximum position.
3. Swivel the base plate 9 up.
4. Remove the saw blade 16.
5. Fit the saw blade in the reverse order as described.
6. Actuate the spindle lock 14 (until it engages)

and use the Allen key to tighten the clamping screw 18.

- The arrow on the saw blade must correspond to the arrow showing the direction of rotation (running direction shown on the device).

Cleaning and maintenance



WARNING! RISK OF INJURY! Always remove the power plug from the mains power socket before carrying out any work on the appliance.

- Always clean the appliance after finishing work.
- For cleaning the housing use a cloth, under no circumstances should you use petrol, solvents or cleaning agents.

Disposal



The packaging is made from environmentally friendly material and can be disposed off at your local recycling plant.



Do not dispose of power tools in your normal household waste!

European Directive 2012/19/EU requires that used power tools be collected separately and recycled in an environmentally compatible manner. Your local community or municipal authorities can provide information on how to dispose of the worn-out appliance.

Warranty

This appliance is provided with a 3-year warranty valid from the date of purchase. The appliance has been manufactured with care and inspected meticulously prior to delivery. Please retain your receipt as proof of purchase. In the event of a warranty claim, please contact your Customer Service unit by telephone. This is the only way to guarantee free return of your goods.

The warranty only covers claims for material and manufacturing defects, not for damage sustained during carriage, components subject to wear and tear or damage to fragile components such as switches or batteries. This appliance is intended solely for private use and not for commercial purposes. The warranty shall be deemed void in cases of misuse or improper handling, use of force and modifications/repairs which have not been carried out by one of our authorised Service centres. Your statutory rights are not restricted by this warranty. The warranty period is not prolonged by repairs effected under the warranty. This also applies to replaced and repaired components. Any damage and defects present at the time of purchase must be reported immediately after unpacking, but no later than two days after the date of purchase. Repairs carried out after expiry of the warranty period shall be subject to charge.

Service

WARNING!

- ▶ Have the power tool repaired by the Service centre or a qualified electrician and only using original replacement parts. This will ensure that the safety of the appliance is maintained.
- ▶ Always ensure that the power plug or the mains cable is replaced only by the manufacturer of the appliance or by an approved customer service provider. This will ensure that the safety of the appliance is maintained.

Service Great Britain

Tel.: 0871 5000 720 (£ 0.10/Min.)

E-Mail: kompernass@lidl.co.uk

IAN 273278

Service Ireland

Tel.: 1890 930 034

(0,08 EUR/Min., (peak))

(0,06 EUR/Min., (off peak))

E-Mail: kompernass@lidl.ie

IAN 273278

Service Cyprus

Tel.: 8009 4409

E-Mail: kompernass@lidl.com.cy

IAN 273278

Hotline availability: Monday to Friday from 8:00 a.m. to 8:00 p.m. (CET)

Importer

KOMPERNASS HANDELS GMBH

BURGSTRASSE 21

44867 BOCHUM

GERMANY

www.kompernass.com

Translation of the original Conformity Declaration

We, KOMPERNASS HANDELS GMBH, documents officer: Mr. Semi Uguzlu, BURGSTR. 21, 44867 BOCHUM, GERMANY, hereby declare that this product complies with the following standards, normative documents and EC directives:

**Machinery Directive
(2006/42/EC)**

**EMC (Electromagnetic Compatibility)
(2004/108/EC)**

**RoHS Directive
(2011/65/EU)**

Applied harmonised standards:

EN 60745-1 / A11: 2010

EN 60745-2-5: 2010

EN 60745-2-22 / A11: 2013

EN 55014-1 / A2: 2011

EN 55014-2 / A2: 2008

EN 61000-3-2 / A2: 2009

EN 61000-3-3: 2013

Type/appliance designation:

Plunge saw PTS 500 A1

Year of manufacture: 08-2015

Serial number: IAN 273278

Bochum, 24/08/2015



Semi Uguzlu

- Quality Manager -

The right to effect technical changes in the context of further development is reserved.

Περιεχόμενα

Εισαγωγή	16
Προβλεπόμενη χρήση	16
Εξοπλισμός	16
Παραδοτέος εξοπλισμός.....	16
Τεχνικά χαρακτηριστικά	16
Γενικές υποδείξεις ασφαλείας για ηλεκτρικά εργαλεία	17
1. Ασφάλεια στο χώρο εργασίας.....	17
2. Ηλεκτρική ασφάλεια.....	17
3. Ασφάλεια ατόμων	18
4. Χρήση και χειρισμός του ηλεκτρικού εργαλείου	18
5. Σέρβις	19
Υποδείξεις ασφαλείας ειδικές για τη συσκευή	19
Υποδείξεις ασφαλείας για όλα τα πριόνια	19
Περαπέρα υποδείξεις ασφαλείας για όλα τα πριόνια	19
Ειδικές υποδείξεις ασφαλείας για αυτό το πριόνι	20
Υποδείξεις ασφαλείας για μηχανές κοπής με λειαντικούς δίσκους τριβής.....	21
Περισσότερες υποδείξεις ασφαλείας για εφαρμογές αποκοπής με λείανση.....	23
Συμπληρωματικές οδηγίες	24
Γνήσια εξαρτήματα/συμπληρωματικές συσκευές.....	24
Υποδείξεις ασφαλείας για εργαλεία λείανσης	25
Θέση σε λειτουργία	25
Ενεργοποίηση και απενεργοποίηση.....	25
Χαλάρωση φραγής εμπύθισης.....	25
Προεπιλογή βάθους κοπής.....	25
Τοποθέτηση παράλληλου αναστολέα	25
Χειρισμός του βυθιζόμενου δισκοπριονίου	25
Σήμανση μήκους κοπής.....	26
Σήμανση γραμμής κοπής	26
Σύνδεση διάταξης απορρόφησης ρινιδιών.....	26
Αλλαγή λεπίδας πριονιού	26
Καθαρισμός και συντήρηση	26
Απόρριψη	26
Εγγύηση	27
Σέρβις	27
Εισαγωγέας	27
Μετάφραση της Πρωτότυπης Δήλωση συμμόρφωσης	28

ΣΕΓΑ PTS 500 A1

Εισαγωγή



Συγχαρητήρια για την αγορά της νέας σας συσκευής. Αποφασίσατε έτσι για την απόκτηση ενός προϊόντος υψηλής ποιότητας. Οι οδηγίες χρήσης είναι τμήμα αυτού του προϊόντος. Περιέχουν σημαντικές υποδείξεις για την ασφάλεια, τη χρήση και την απόρριψη. Πριν από τη χρήση του προϊόντος, εξοικειωθείτε με όλες τις υποδείξεις χειρισμού και ασφάλειας. Χρησιμοποιείτε το προϊόν μόνο όπως περιγράφεται και για τους αναφερόμενους τομείς χρήσης. Παραδώστε όλα τα έγγραφα σε περίπτωση παράδοσης του προϊόντος σε τρίτους.

Προβλεπόμενη χρήση

Το μηχάνημα προβλέπεται κυρίως για τη διεξαγωγή κατά μήκος και εγκάρσιων κοπών σε κοπές με εμβύθιση του πριονιού με σταθερή βάση σε συμπαγές ξύλο, μοριοσανίδες, κόντρα πλακέ, αλουμίνιο, πλακίδια, πέτρα, πλαστικό και υλικά ελαφρών κατασκευών. Να θυμάστε ότι η προμονταρισμένη λεπίδα ενδείκνυται μόνο για τη χρήση με ξύλο. Κάθε άλλη χρήση ή μετατροπή της μηχανής ισχύει ως μη σύμφωνη με τους κανονισμούς και κρύβει σημαντικούς κινδύνους ατυχημάτων. Δεν προορίζεται για επαγγελματική χρήση.

Εξοπλισμός

- 1 Μηχανική φραγή εμβύθισης
- 2 Λυχνία ενεργοποίησης/ελέγχου
- 3 Καλώδιο σύνδεσης δικτύου
- 4 Οπή αερισμού
- 5 Κάλυμμα για τα καρβουνάκια
- 6 Διακόπτης ON/OFF
- 7 Προεπιλογή βάθους κοπής
- 7a Διαβάθμιση για το βάθος κοπής
- 8 Σημάνσεις μήκους κοπής
- 9 Πλάκα βάσης
- 10 Υποδοχή παράλληλου αναστολέα
- 11 Παράλληλος αναστολέας
- 11a Βίδα παράλληλου αναστολέα
- 12 Παράθυρο οπτικής επαφής γραμμής κοπής
- 13 Σύνδεση για την απορρόφηση σκόνης
- 14 Ασφάλιση ατράκτου
- 15 Εσωτερικό εξαγνο κλειδί

- 16 Λεπίδα πριονιού
- 17 Φλάντζα σύσφιξης
- 18 Βίδα σύσφιξης και ροδέλα
- 19 Σωλήνας απορρόφησης
- 20 Λεπίδα δισκοπριονίου HW Z85 / 30
- 21 Διαμαντένια λεπίδα κοπής Z85VR
- 22 Λεπίδα δισκοπριονίου HS Z85 / 36

Παραδοτέος εξοπλισμός

- 1 ΣΕΓΑ PTS 500 A1
- 1 Λεπίδα δισκοπριονίου HW Z85 / 30
- 1 Διαμαντένια λεπίδα κοπής Z85VR
- 1 Λεπίδα δισκοπριονίου HS Z85 / 36
- 1 Παράλληλος αναστολέας
- 1 Σωλήνας απορρόφησης
- 1 Εσωτερικό εξαγωγικό κλειδί
- 1 Βαλβισάκι μεταφοράς
- 1 Οδηγίες χρήσης

Τεχνικά χαρακτηριστικά

Ονομαστική ισχύς:	500 W
Ονομαστική τάση:	230 V ~, 50 Hz
Αριθμός στροφών ρελαντί:	n_0 4500 min ⁻¹
Μέγ. βάθος κοπής:	25 mm
Κατηγορία προστασίας:	II/□

Πληροφορίες θορύβου και κραδασμών:

Τιμή μέτρησης για θόρυβο διακριβωμένη σύμφωνα με το EN 60745. Το επίπεδο θορύβου A-στάθμισης του ηλεκτρικού εργαλείου ανέρχεται συνήθως:

Στάθμη ηχητικής πίεσης:	82 dB(A)
Επιτρεπόμενη στάθμη θορύβου:	93 dB(A)
Αβεβαιότητα K:	3 dB



Φοράτε προστασία για την ακοή!

Αξιολογημένη επιβράδυνση, τυπικά:

Δόνηση άκρας χειρός/βραχίονα $a_h = 2,266 \text{ m/s}^2$
 Αβεβαιότητα K = 1,5 m/s^2

⚠️ ΠΡΟΕΙΔΟΠΟΙΗΣΗ!

■ Το αναφερόμενο σε αυτές τις οδηγίες επίπεδο κραδασμών έχει μετρηθεί σύμφωνα με μια τυποποιημένη στο EN 60745 διαδικασία μέτρησης και μπορεί να χρησιμοποιείται για τη σύγκριση συσκευών. Η αναφερόμενη τιμή εκπομπής κραδασμών μπορεί επίσης να χρησιμοποιείται για μια αρχική εκτίμηση της έκθεσης. Το επίπεδο κραδασμών θα αλλάζει σύμφωνα με τη χρήση του ηλεκτρικού εργαλείου και σε ορισμένες περιπτώσεις μπορεί να βρίσκεται πάνω από την αναφερόμενη σε αυτές τις οδηγίες τιμή. Το φορτίο κραδασμών θα μπορούσε να υποτιμηθεί, εάν το ηλεκτρικό εργαλείο χρησιμοποιείται τακτικά με αυτό τον τρόπο.

ΥΠΟΔΕΙΞΗ

► Για μια εκτίμηση ακριβείας του φορτίου κραδασμών κατά τη διάρκεια μιας συγκεκριμένης χρονικής περιόδου εργασίας θα πρέπει επίσης να λαμβάνονται υπόψη οι χρόνοι, κατά τους οποίους είναι απενεργοποιημένη η συσκευή ή λειτουργεί χωρίς ωστόσο να χρησιμοποιείται. Αυτό μπορεί να μειώσει κατά πολύ το φορτίο κραδασμών στο σύνολο της χρονικής περιόδου εργασίας.



Γενικές υποδείξεις ασφαλείας για ηλεκτρικά εργαλεία

⚠️ ΠΡΟΕΙΔΟΠΟΙΗΣΗ!

► Διαβάστε όλες τις υποδείξεις ασφαλείας και τις οδηγίες. Παραλείψεις κατά την τήρηση των υποδείξεων ασφαλείας και των οδηγιών μπορούν να προκαλέσουν ηλεκτροπληξία, πυρκαγιά και/ή σοβαρούς τραυματισμούς.

Φυλάξτε όλες τις υποδείξεις ασφαλείας και τις οδηγίες για το μέλλον.

Ο χρησιμοποιούμενος σε αυτές τις υποδείξεις ασφαλείας όρος "Ηλεκτρικό εργαλείο" αναφέρεται σε ηλεκτρικά εργαλεία (με καλώδιο) που λειτουργούν με ρεύμα και σε ηλεκτρικά εργαλεία (χωρίς καλώδιο) που λειτουργούν μέσω συσσωρευτή.

1. Ασφάλεια στο χώρο εργασίας

- α) Διατηρείτε το χώρο εργασίας σας καθαρό και καλά φωτισμένο. Η ακαταστασία και οι μη φωτισμένοι χώροι εργασίας μπορούν να οδηγήσουν σε ατυχήματα.
- β) Μην εργάζεστε με το ηλεκτρικό εργαλείο σε περιβάλλον όπου υπάρχει κίνδυνος έκρηξης, εύφλεκτα υγρά, αέρια ή σκόνες. Τα ηλεκτρικά εργαλεία δημιουργούν σπινθήρες, οι οποίοι μπορούν να προκαλέσουν ανάφλεξη στη σκόνη ή στους ατμούς.
- γ) Κρατάτε τα παιδιά και άλλα άτομα μακριά κατά τη χρήση του ηλεκτρικού εργαλείου. Σε περίπτωση διάσπασης της προσοχής μπορεί να χάσετε τον έλεγχο της συσκευής.

2. Ηλεκτρική ασφάλεια

- α) Το βύσμα σύνδεσης του ηλεκτρικού εργαλείου πρέπει να ταιριάζει στην πρίζα. Το βύσμα δεν επιτρέπεται να τροποποιηθεί με κανέναν τρόπο. Μην χρησιμοποιείτε βύσματα ανταπτόρων μαζί με γειωμένα ηλεκτρικά εργαλεία. Τα βύσματα που δεν έχουν τροποποιηθεί και οι κατάλληλες πρίζες μειώνουν τον κίνδυνο ηλεκτροπληξίας.
- β) Αποφεύγετε τη σωματική επαφή με γειωμένες επιφάνειες, όπως σωλήνες, θερμομαντικά σώματα, εστίες και ψυγεία. Υπάρχει αυξημένος κίνδυνος λόγω ηλεκτροπληξίας όταν το σώμα σας είναι γειωμένο.
- γ) Κρατάτε τα ηλεκτρικά εργαλεία μακριά από βροχή ή υγρασία. Η διείσδυση νερού σε μια ηλεκτρική συσκευή αυξάνει τον κίνδυνο ηλεκτροπληξίας.
- δ) Μην χρησιμοποιείτε το καλώδιο άσκοπα, π.χ. για να μεταφέρετε το ηλεκτρικό εργαλείο, να το κρεμάσετε ή για να τραβήξετε το βύσμα από την πρίζα. Κρατάτε το καλώδιο μακριά από υψηλές θερμοκρασίες, λάδια, αιχμηρές άκρες ή κινούμενα τμήματα της συσκευής. Τα φθαρμένα ή μπερδεμένα καλώδια αυξάνουν τον κίνδυνο ηλεκτροπληξίας.
- ε) Όταν εργάζεστε με ένα ηλεκτρικό εργαλείο σε εξωτερικό χώρο χρησιμοποιείτε μόνο καλώδια επέκτασης, τα οποία έχουν εγκριθεί για εξωτερικούς χώρους. Η χρήση κατάλληλου καλωδίου επέκτασης για εξωτερικό χώρο μειώνει τον κίνδυνο ηλεκτροπληξίας.

στ) Εάν δεν μπορεί να αποφευχθεί η λειτουργία του ηλεκτρικού εργαλείου σε υγρό περιβάλλον, χρησιμοποιείτε διακόπτη ασφαλείας. Η χρήση διακόπτη ασφαλείας μειώνει τον κίνδυνο ηλεκτροπληξίας.

3. Ασφάλεια ατόμων

- α) Να είστε πάντα προσεκτικοί, προσέχετε τι κάνετε και χρησιμοποιείτε τη λογική όταν εργάζεστε με ένα ηλεκτρικό εργαλείο. Μη χρησιμοποιείτε ηλεκτρικά εργαλεία εάν είστε άρρωστοι ή κουρασμένοι ή υπό την επήρεια ναρκωτικών, αλκοόλ ή φαρμάκων. Ένα μόνο λεπτό απροσεξίας κατά τη χρήση του ηλεκτρικού εργαλείου αρκεί για να οδηγήσει σε σοβαρούς τραυματισμούς.
- β) Φοράτε ατομικό προστατευτικό εξοπλισμό και πάντα γυαλιά προστασίας. Όταν φοράτε ατομικό προστατευτικό εξοπλισμό, όπως μάσκα για τη σκόνη, αντιολισθητικά υποδήματα ασφαλείας, κράνος ή προστασία για την ακοή, ανάλογα με το είδος και τη χρήση του ηλεκτρικού εργαλείου, μειώνεται ο κίνδυνος τραυματισμών.
- γ) Αποφεύγετε μια μη ηθελημένη θέση σε λειτουργία. Βεβαιώστε ότι το ηλεκτρικό εργαλείο έχει απενεργοποιηθεί, προτού το συνδέσετε στην τροφοδοσία ρεύματος και/ή το συσσωρευτή, το σηκώσετε ή το μεταφέρετε. Όταν μεταφέρετε το ηλεκτρικό εργαλείο και έχετε το δάχτυλο στο διακόπτη ή εάν έχετε συνδέσει την ήδη ενεργοποιημένη συσκευή στην παροχή ρεύματος, αυτό μπορεί να οδηγήσει σε ατυχήματα.
- δ) Απομακρύνετε εργαλεία ρύθμισης ή μηχανικά κλειδιά πριν ενεργοποιήσετε το ηλεκτρικό εργαλείο. Ένα εργαλείο ή κλειδί, το οποίο βρίσκεται σε ένα περιστρεφόμενο τμήμα της συσκευής, μπορεί να οδηγήσει σε τραυματισμούς.
- ε) Αποφεύγετε μια λάθος στάση του σώματος. Φροντίστε για μια ασφαλή στάση και διατηρείτε πάντα την ισορροπία. Έτσι μπορείτε να ελέγχετε το ηλεκτρικό εργαλείο καλύτερα σε μη αναμενόμενες καταστάσεις.
- στ) Φοράτε κατάλληλο ρουχισμό. Μη φοράτε μακριά ρούχα ή κοσμήματα. Κρατάτε τα μαλλιά, τα ρούχα και τα γάντια μακριά από κινούμενα τμήματα. Τα χαλαρά ρούχα, τα κοσμήματα ή τα μακριά μαλλιά μπορούν να πιαστούν από κινούμενα τμήματα.

ζ) Εάν μπορούν να συναρμολογηθούν διατάξεις απορρόφησης και συλλογής σκόνης, βεβαιώστε ότι αυτές έχουν συνδεθεί και χρησιμοποιούνται σωστά. Η χρήση μιας διάταξης απορρόφησης σκόνης μπορεί να μειώσει τους κινδύνους από τη σκόνη.

4. Χρήση και χειρισμός του ηλεκτρικού εργαλείου

- α) Μην υπερφορτώνετε τη συσκευή. Χρησιμοποιείτε για την εργασία σας το αντίστοιχο ηλεκτρικό εργαλείο. Με το κατάλληλο ηλεκτρικό εργαλείο εργάζεστε καλύτερα και ασφαλέστερα στο δοθέν πεδίο απόδοσης.
- β) Μη χρησιμοποιείτε ηλεκτρικά εργαλεία με ελαττωματικό διακόπτη. Ένα ηλεκτρικό εργαλείο, το οποίο δεν μπορεί πλέον να ενεργοποιηθεί ή απενεργοποιηθεί, είναι επικίνδυνο και πρέπει να επισκευαστεί.
- γ) Τραβάτε το βύσμα από την πρίζα και/ή απομακρύνετε το συσσωρευτή πριν διεξάγετε ρυθμίσεις στη συσκευή, πριν αλλάξετε εξαρτήματα ή πριν φυλάξετε τη συσκευή. Αυτό το μέτρο ασφαλείας εμποδίζει τη μη ηθελημένη εκκίνηση του ηλεκτρικού εργαλείου.
- δ) Φυλάτε τα μη χρησιμοποιούμενα ηλεκτρικά εργαλεία εκτός εμβέλειας των παιδιών. Μη επιτρέπετε να χρησιμοποιούν τη συσκευή άτομα, τα οποία δεν έχουν εξοικειωθεί μαζί της ή δεν έχουν διαβάσει αυτές τις οδηγίες. Τα ηλεκτρικά εργαλεία είναι επικίνδυνα όταν χρησιμοποιούνται από άπειρα άτομα.
- ε) Φροντίζετε τα ηλεκτρικά εργαλεία με προσοχή. Ελέγχετε εάν τα κινούμενα τμήματα λειτουργούν σωστά και δεν κολλάνε, εάν κάποια μέρη έχουν σπάσει ή παρουσιάζουν τέτοια βλάβη, ώστε να επηρεάζεται η λειτουργία του ηλεκτρικού εργαλείου. Τα εξαρτήματα με βλάβη πρέπει να επισκευάζονται πριν από τη χρήση της συσκευής. Η αιτία πολλών ατυχημάτων οφείλεται στην κακή συντήρηση των ηλεκτρικών εργαλείων.
- στ) Διατηρείτε τα εργαλεία κοπής αιχμηρά και καθαρά. Τα προσεκτικά φροντισμένα εργαλεία κοπής με αιχμηρές ακμές κοπής κολλάνε λιγότερο και είναι ευκολότερα στο χειρισμό.

ζ) Χρησιμοποιείτε το ηλεκτρικό εργαλείο, τα εξαρτήματα, τα εργαλεία χρήσης, κλπ., σύμφωνα με αυτές τις οδηγίες. Λαμβάνετε υπόψη τις συνθήκες εργασίας και την προς διεξαγωγή ενέργεια. Η χρήση ηλεκτρικών εργαλείων για διαφορετικές από τις προβλεπόμενες χρήσεις μπορεί να οδηγήσει σε επικίνδυνες καταστάσεις.


5. Σέρβις

α) Το ηλεκτρικό σας εργαλείο πρέπει να επισκευάζεται μόνο από εξειδικευμένο ειδικό προσωπικό και μόνο με γνήσια ανταλλακτικά. Έτσι διατηρείται η ασφάλεια του ηλεκτρικού εργαλείου.

Υποδείξεις ασφαλείας ειδικές για τη συσκευή

Υποδείξεις ασφαλείας για όλα τα πριόνια

Διαδικασία πριονίσματος

- α)  **ΚΙΝΔΥΝΟΣ!** Τα χέρια σας δεν επιτρέπεται να φτάνουν στο σημείο πριονίσματος και στη λεπίδα πριονιού. Με το άλλο σας χέρι κρατάτε την επιπρόσθετη λαβή ή το περιβλήμα κινητήρα. Όταν και τα δύο χέρια κρατάνε το πριόνι, δεν υπάρχει περίπτωση να τραυματιστούν από τη λεπίδα πριονιού.
- β) Μην πιάνετε κάτω από το τεμάχιο επεξεργασίας. Το προστατευτικό κάλυμμα κάτω από το τεμάχιο επεξεργασίας δεν μπορεί να σας προστατεύσει από τη λεπίδα πριονιού.
- γ) Προσαρμόστε το βάθος κοπής στο πάχος του τεμαχίου επεξεργασίας. Κάτω από το τεμάχιο επεξεργασίας θα πρέπει να είναι ορατό λιγότερο από ένα πλήρες ύψος οδόντωσης.
- δ) Ποτέ μην κρατάτε το προς κοπή τεμάχιο επεξεργασίας στο χέρι ή πάνω από το πόδι. Ασφαλιζέτε το τεμάχιο επεξεργασίας σε μια σταθερή υποδοχή. Είναι σημαντικό να στερεώνετε καλά το τεμάχιο επεξεργασίας, ώστε να ελαχιστοποιείτε τον κίνδυνο επαφής με το σώμα, μάγκωμα της λεπίδας πριονιού ή απώλεια του ελέγχου.

ε) Πιάνετε το ηλεκτρικό εργαλείο μόνο από τις μονωμένες λαβές όταν διεξάγετε εργασίες, κατά τις οποίες το εργαλείο χρήσης μπορεί να συναντήσει κρυμμένους αγωγούς ρεύματος. Η επαφή με έναν ρευματοφόρο αγωγό θέτει και τα μεταλλικά τμήματα του ηλεκτρικού εργαλείου υπό τάση, προκαλώντας ηλεκτροπληξία.

στ) Στις κατά μήκος κοπές χρησιμοποιείτε πάντα έναν αναστολέα ή έναν ισίο οδηγό ακμών. Έτσι διευκολύνεται η ακρίβεια κοπής και μειώνεται η πιθανότητα μαγκώματος της λεπίδας πριονιού.

η) Χρησιμοποιείτε πάντα λεπίδες πριονιού σωστού μεγέθους και με αντίστοιχη οπή υποδοχής (π.χ. σχήματος αστέρα ή στρογγυλή). Οι λεπίδες πριονιού, οι οποίες δεν ταιριάζουν στα εξαρτήματα συναρμολόγησης, κινούνται ακανόνιστα και οδηγούν σε απώλεια του ελέγχου.

θ) Ποτέ μη χρησιμοποιείτε φθαρμένες ή λάθος ροδέλες ή βίδες λεπίδων πριονιού. Οι ροδέλες και οι βίδες λεπίδων πριονιού έχουν κατασκευαστεί ειδικά για το πριόνι σας, για βέλτιστη απόδοση και ασφάλεια λειτουργίας.

Περαιτέρω υποδείξεις ασφαλείας για όλα τα πριόνια

Αντεπιστροφή - Αιτίες και αντίστοιχες υποδείξεις ασφαλείας:

- Η αντεπιστροφή είναι η ξαφνική αντίδραση λόγω μιας λεπίδας που μαγκώνει, σφηνώνει ή είναι λάθος ρυθμισμένη και οδηγεί σε μη ελεγχόμενη κίνηση του πριονιού έξω από το τεμάχιο επεξεργασίας προς την κατεύθυνση του χειριστή
- Όταν η λεπίδα πριονιού μαγκώσει ή σφηνώσει στο σημείο κλεισίματος του κενού πριονίσματος μπλοκάρει και η ισχύς κινητήρα απωθεί τη συσκευή προς την κατεύθυνση του χειριστή
- Εάν η λεπίδα πριονιού στραβώσει ή έχει λάθος κατεύθυνση στην κοπή πριονίσματος, οι οδοντώσεις της πίσω ακμής της λεπίδας πριονιού μπορεί να μαγκώσουν στην επιφάνεια του τεμαχίου επεξεργασίας με συνέπεια η λεπίδα πριονιού να βγει έξω από το κενό πριονίσματος και το πριόνι να αναπηδήσει προς την κατεύθυνση του χειριστή.

Μια αντεπιστροφή είναι το επακόλουθο λάθος ή ελλιπούς χρήσης του πριονιού. Μπορεί να εμποδιστεί μέσω κατάλληλων προληπτικών μέτρων, όπως περιγράφεται κατωτέρω.

- α)** Κρατάτε το πριόνι σταθερά και με τα δύο χέρια και θέτετε τους βραχίονες σας σε μια θέση, στην οποία θα μπορείτε να δέξεστε τις δυνάμεις αντεπιστροφής. Πρέπει πάντα να είστε στα πλάγια της λεπίδας πριονιού. Η λεπίδα πριονιού δεν πρέπει ποτέ να βρίσκεται σε μια γραμμή με το σώμα σας. Σε περίπτωση αντεπιστροφής το δισκοπρίονο ενδέχεται να αναπηδήσει προς τα πίσω, ωστόσο ο χειριστής μπορεί να ελέγξει τις δυνάμεις αντεπιστροφής μέσω κατάλληλων προληπτικών μέτρων.
- β)** Στην περίπτωση που η λεπίδα πριονιού μαγκώσει ή διακόψετε την εργασία, απενεργοποιήστε το πριόνι και κρατήστε το μέσα στο τεμάχιο επεξεργασίας, έως ότου ακινητοποιηθεί η λεπίδα πριονιού. Ποτέ μην προσπαθείτε να απομακρύνετε το πριόνι από το τεμάχιο επεξεργασίας ή να το απομακρύνετε προς τα πίσω, όσο η λεπίδα κινείται, αλλιώς μπορεί να προκληθεί αντεπιστροφή. Εξακριβώστε και διορθώστε την αιτία του μαγκώματος της λεπίδας πριονιού.
- γ)** Εάν θέλετε να επανεκκινήσετε ένα πριόνι, το οποίο βρίσκεται μέσα στο τεμάχιο επεξεργασίας, κεντράρετε τη λεπίδα πριονιού στο κενό πριονίσματος και ελέγξτε εάν οι οδοντώσεις έχουν μαγκώσει στο τεμάχιο επεξεργασίας. Εάν η λεπίδα πριονιού έχει μαγκώσει, σε νέα εκκίνηση του πριονιού μπορεί να βγει έξω από το τεμάχιο επεξεργασίας ή να προκαλέσει αντεπιστροφή.
- δ)** Στηρίζετε τις μεγάλες πλάκες, προς αποφυγή κινδύνου αντεπιστροφής λόγω μαγκωμένης λεπίδας πριονιού. Οι μεγάλες πλάκες μπορούν να λυγίσουν από το ίδιο τους το βάρος. Οι πλάκες πρέπει να υποστηρίζονται και στις δύο πλευρές, τόσο κοντά στο κενό πριονίσματος όσο και στην ακμή.

- ε)** Μην χρησιμοποιείτε στομωμένες ή φθαρμένες λεπίδες πριονιού. Λεπίδες πριονιού με στομωμένες ή λάθος ευθυγραμμισμένες οδοντώσεις προκαλούν, λόγω πολύ μικρού κενού πριονίσματος, αυξημένη τριβή, μάγκωμα της λεπίδας πριονιού και αντεπιστροφή.
- στ)** Πριν από το πριόνισμα ορίζετε τις ρυθμίσεις βάθους κοπής και γωνίας κοπής. Εάν κατά το πριόνισμα οι ρυθμίσεις αλλάξουν, η λεπίδα πριονιού μπορεί να μαγκώσει και να προκληθεί αντεπιστροφή.
- η)** Να είστε ιδιαίτερα προσεκτικοί κατά το πριόνισμα σε υπάρχοντες τοίχους ή σε άλλους τομείς που δεν είναι ορατοί. Η βυθιζόμενη λεπίδα πριονιού μπορεί κατά το πριόνισμα να μπλοκάρει σε κρυμμένα αντικείμενα και να προκαλέσει αντεπιστροφή.

Ειδικές υποδείξεις ασφάλειας για αυτό το πριόνι

Λειτουργία του κάτω προστατευτικού καλύμματος:

- α)** Πριν από κάθε χρήση ελέγχετε εάν το προστατευτικό κάλυμμα κλείνει άνετα. Μην χρησιμοποιείτε το πριόνι εάν το προστατευτικό κάλυμμα δεν κινείται άνετα και δεν κλείνει αμέσως. Ποτέ μη στερεώνετε ή σφίγγετε το προστατευτικό κάλυμμα. Έτσι η λεπίδα πριονιού δεν θα ήταν προστατευμένη. Εάν το πριόνι πέσει κατά λάθος κάτω, το προστατευτικό κάλυμμα μπορεί να στραβώσει. Βεβαιωθείτε ότι το προστατευτικό κάλυμμα κινείται ελεύθερα και δεν αγγίζει τη λεπίδα πριονιού ή άλλα τμήματα σε όλες τις γωνίες και τα βάθη κοπής.
- β)** Ελέγχετε την κατάσταση και λειτουργία των ελατηρίων για το προστατευτικό κάλυμμα. Το πριόνι θα πρέπει να συντηρείται πριν από τη χρήση, εάν το προστατευτικό κάλυμμα και τα ελατήρια δε λειτουργούν άψογα. Φθαρμένα εξαρτήματα, κολλώδεις εναποθέσεις ή συσσωρεύσεις ρινιδίων επιβραδύνουν τη λειτουργία του κάτω προστατευτικού καλύμματος.

- γ) Ασφαλίστε στη "βαθιά τομή" που δεν διεξάγεται κάθετα την πλάκα βάσης του πριονιού έναντι πλευρικής μετατόπισης. Μια πλευρική μετατόπιση μπορεί να οδηγήσει σε μάγκωμα της λεπίδας πριονιού και έτσι σε αντεπιστροφή.
- δ) Μην αποθέτετε το πριόνι επάνω στον πάγκο εργασίας ή στο δάπεδο, εάν το προστατευτικό κάλυμμα δεν καλύπτει τη λεπίδα πριονιού. Μια απροσάτευτη λεπίδα πριονιού που συνεχίζει να κινείται, κινεί το πριόνι αντίθετα από την κατεύθυνση κοπής και πριονίζει ό,τι βρίσκεται στο δρόμο της. Προσέξτε εδώ το χρόνο συνέχισης κίνησης του πριονιού.

Συμπληρωματικές υποδείξεις:

- Μη χρησιμοποιείτε δίσκους τροχίσματος.
- Χρησιμοποιείτε μόνο λεπίδες με διαμέτρου που συμφωνούν με τα αναγραφόμενα στο πριόνι.
- Κατά την επεξεργασία ξύλου ή υλικών, από τα οποία δημιουργείται σκόνη επικίνδυνη για την υγεία, η συσκευή πρέπει να συνδέεται σε μια αντίστοιχη, ελεγμένη διάταξη απορρόφησης.
- Κατά το πριόνισμα ξύλου φοράτε μάσκα προστασίας από τη σκόνη.
- Χρησιμοποιείτε μόνο τις προτεινόμενες λεπίδες πριονιού.
- Να φοράτε πάντα προστασία για την ακοή.
- Αποφεύγετε υπερθέρμανση των ακμών οδοντώσεων.
- Αποφεύγετε κατά το πριόνισμα πλαστικού, λιώσιμο του πλαστικού.

Έλεγχος προστατευτικού καλύμματος:

- Τραβήξτε το μοχλό ανάκλησης για το προστατευτικό κάλυμμα έως τον αναστολέα. Το προστατευτικό κάλυμμα πρέπει να μπορεί να κινείται χωρίς να μαγκώνει και όταν αφήνετε το μοχλό ανάκλησης για το προστατευτικό κάλυμμα να γυρίζει αυτόματα στην αρχική θέση.

Λεπίδα δισκοπριονιού (σύμβολα)



Φοράτε προστατευτικά γάντια!



Φοράτε προστασία για την αναπνοή!



Φοράτε γυαλιά προστασίας!



Φοράτε προστασία για την ακοή!

Υποδείξεις ασφαλείας για μηχανές κοπής με λειαντικούς δίσκους τριβής

- α) Το προστατευτικό κάλυμμα που ανήκει στο ηλεκτρικό εργαλείο πρέπει να τοποθετείται με ασφάλεια και να ρυθμίζεται έτσι ώστε να επιτυγχάνεται η μέγιστη ασφάλεια, δηλαδή το μικρότερο δυνατό τμήμα του λειαντικού σώματος να δείχνει ανοιχτά προς το χειριστή. Εσείς και άτομα που βρίσκονται κοντά πρέπει να παραμένετε εκτός της περιοχής του περιστεφόμενου δίσκου λείανσης. Το προστατευτικό κάλυμμα πρέπει να προστατεύει το χειριστή από τεμάχια που σπάνε και από τυχαία επαφή με το λειαντικό σώμα.
- β) Να χρησιμοποιείτε αποκλειστικά δίσκους κοπής με διαμαντένια άκρη για το ηλεκτρικό εργαλείο σας. Το γεγονός ότι το εξάρτημα μπορεί να στερεωθεί σε ηλεκτρικό εργαλείο, δεν μπορεί να διασφαλίσει την ασφαλή χρήση.
- γ) Ο επιτρεπόμενος αριθμός στροφών του εργαλείου εφαρμογής πρέπει να είναι τουλάχιστον ίσος με αυτόν που αναφέρεται στο ηλεκτρικό εργαλείο ως μέγιστος αριθμός στροφών. Τα εξαρτήματα, τα οποία περιστρέφονται πιο γρήγορα από ότι επιτρέπεται, ίσως σπάσουν και εκτιναχθούν.
- δ) Τα λειαντικά σώματα επιτρέπεται να χρησιμοποιούνται μόνο για τις προτεινόμενες δυνατότητες χρήσης. Για παράδειγμα: Ποτέ μη λειανίτε με την πλάγια επιφάνεια ενός δίσκου κοπής. Οι δίσκοι κοπής προορίζονται για την αφαίρεση υλικού με την άκρη του δίσκου. Η πλευρική επίδραση δύναμης σε αυτά τα λειαντικά σώματα μπορεί να τα σπάσει.

- ε) Χρησιμοποιείτε πάντα μη φθαρμένες φλάντζες σύσφιξης στο σωστό μέγεθος και σχήμα για τον επιλεγμένο από εσάς δίσκο λείανσης. Οι κατάλληλες φλάντζες υποστηρίζουν το δίσκο λείανσης και μειώνουν έτσι τον κίνδυνο σπασίματος του.
- στ) Μη χρησιμοποιείτε φθαρμένους δίσκους λείανσης από μεγαλύτερα ηλεκτρικά εργαλεία. Οι δίσκοι λείανσης για μεγαλύτερα ηλεκτρικά εργαλεία δεν έχουν κατασκευαστεί για υψηλότερους αριθμούς στροφών μικρότερων ηλεκτρικών εργαλείων και μπορεί να σπάσουν.
- η) Η εξωτερική διάμετρος και το πάχος του εργαλείου εφαρμογής πρέπει να ανταποκρίνονται στα στοιχεία διαστάσεων του ηλεκτρικού εργαλείου σας. Τα εργαλεία εφαρμογής με λάθος διαστάσεις δεν μπορούν να θωρακιστούν ή να ελεγχθούν επαρκώς.
- θ) Οι δίσκοι λείανσης και η φλάντζα πρέπει να ταιριάζουν επακριβώς στην άτρακτο λείανσης του ηλεκτρικού σας εργαλείου. Τα εργαλεία εφαρμογής, τα οποία δεν εφαρμόζουν με ακρίβεια στην άτρακτο λείανσης του ηλεκτρικού εργαλείου, περιστρέφονται ανομοιόμορφα, δονούνται πολύ και ίσως οδηγήσουν σε απώλεια ελέγχου.
- ι) Απαγορεύεται η χρήση ελαττωματικών δίσκων λείανσης. Πριν από κάθε χρήση ελέγχετε τους δίσκους λείανσης για σπασίματα και ρωγμές. Σε περίπτωση πτώσης του ηλεκτρικού εργαλείου ή του δίσκου λείανσης, ελέγξτε αν έχουν καταστραφεί ή χρησιμοποιήστε έναν άθικτο δίσκο λείανσης. Εφόσον ελέγξετε και τοποθετήσετε το δίσκο λείανσης, κρατηθείτε τόσο εσείς όσο και τα πλησίον ευρισκόμενα άτομα εκτός της περιοχής του περιστρεφόμενου δίσκου λείανσης και αφήστε τη συσκευή να λειτουργήσει για ένα λεπτό στο μέγιστο αριθμό στροφών. Οι κατεστραμμένοι δίσκοι λείανσης σπάνε συνήθως κατά το δοκιμαστικό χρόνο.
- κ) Φοράτε ατομικό προστατευτικό εξοπλισμό. Φοράτε, αναλόγως της χρήσης, προστασία ολόκληρου του προσώπου, προστασία για τα μάτια ή προστατευτικά γυαλιά. Εφόσον πρέπει, φοράτε μάσκα προστασίας από τη σκόνη, ωτοασπίδες, προστατευτικά γάντια ή ειδική ποδιά, τα οποία κρατάνε μακριά τα μικρά τεμάχια λείανσης και υλικού. Τα μάτια πρέπει να προστατεύονται από τα ξένα σωματίδια που εκτινάσσονται και τα οποία δημιουργούνται από διάφορες εφαρμογές. Οι μάσκες προστασίας από τη σκόνη ή οι αναπνευστικές μάσκες πρέπει να φιλτράρουν τη σκόνη που δημιουργείται κατά την εφαρμογή. Σε περίπτωση έκθεσης επί μακρόν σε δυνατό θόρυβο, ίσως υποστείτε βλάβη στην ακοή σας.
- λ) Φροντίστε ώστε τα άλλα άτομα να βρίσκονται σε απόσταση ασφαλείας από τον τομέα εργασίας σας. Όλα τα άτομα, τα οποία εισέρχονται μέσα στον τομέα εργασίας, πρέπει να φοράνε ατομικό προστατευτικό εξοπλισμό. Τα θραύσματα των τεμαχίων επεξεργασίας ή τα σπασμένα εργαλεία εφαρμογής ίσως εκτιναχθούν και προκαλέσουν τραυματισμούς και εκτός του άμεσου τομέα εργασίας.
- μ) Πιάνετε τη συσκευή μόνο από τις μονωμένες επιφάνειες των λαβών, όταν διεξάγετε εργασίες, κατά τις οποίες το εργαλείο χρήσης μπορεί να συναντήσει κρυμμένους αγωγούς ρεύματος ή το ίδιο το καλώδιο δικτύου. Η επαφή με έναν ρευματοφόρο αγωγό θέτει υπό τάση ακόμη και μεταλλικά τμήματα της συσκευής, προκαλώντας ηλεκτροπληξία.
- ν) Κρατήστε το καλώδιο δικτύου μακριά από περιστρεφόμενα εργαλεία εφαρμογής. Σε περίπτωση απώλειας ελέγχου της συσκευής, υπάρχει πιθανότητα κοψίματος ή πιασίματος του καλωδίου δικτύου και εισχώρησης της παλάμης ή του χεριού σας μέσα στο περιστρεφόμενο εργαλείο εφαρμογής.
- ξ) Απαγορεύεται αυστηρά η απόθεση του ηλεκτρικού εργαλείου προτού το εργαλείο εφαρμογής έρθει σε κατάσταση πλήρους ακινησίας. Το περιστρεφόμενο εργαλείο εφαρμογής ίσως έρθει σε επαφή με την επιφάνεια απόθεσης, γεγονός που ίσως οδηγήσει σε απώλεια ελέγχου του ηλεκτρικού εργαλείου

- ο) **Μην αφήνετε το ηλεκτρικό εργαλείο να λειτουργεί, ενώ το κρατάτε.** Τα ρούχα σας μπορεί να πιαστούν λόγω τυχαίας επαφής στο περιστρεφόμενο εργαλείο εφαρμογής και το εργαλείο εφαρμογής ίσως κόψει το σώμα σας.
- π) **Καθαρίζετε τακτικά τις οπές αερισμού του ηλεκτρικού σας εργαλείου.** Ο φυσητήρας κινητήρα τραβάει τη σκόνη μέσα στο περίβλημα και η μεγάλη συγκέντρωση μεταλλικής σκόνης ίσως προκαλέσει ηλεκτρικό κίνδυνο.
- ρ) **Μη χρησιμοποιείτε το ηλεκτρικό εργαλείο κοντά σε εύφλεκτα υλικά.** Οι σπινθήρες μπορεί να αναφλέξουν αυτά τα υλικά.
- σ) **Μη χρησιμοποιείτε εργαλεία εφαρμογής, τα οποία απαιτούν υγρά ψυκτικά μέσα.** Η χρήση νερού ή άλλων υγρών ψυκτικών μέσων μπορεί να οδηγήσει σε ηλεκτροπληξία.

Περισσότερες υποδείξεις ασφάλειας για εφαρμογές αποκοπής με λείανση

Αντεπιστροφή και αντίστοιχες υποδείξεις ασφαλείας

Αντεπιστροφή είναι η ξαφνική αντίδραση λόγω ενός μαγκωμένου ή μπλοκαρισμένου περιστρεφόμενου δίσκου λείανσης. Μάγκωμα ή μπλοκάρισμα οδηγούν σε απότομο σταμάτημα του περιστρεφόμενου εργαλείου εφαρμογής. Έτσι το μη ελεγχόμενο ηλεκτρικό εργαλείο επιταχύνεται προς την κατεύθυνση περιστροφής του εργαλείου εφαρμογής στη θέση μπλοκαρίσματος.

Όταν π.χ. ένας δίσκος λείανσης μαγκώσει ή μπλοκάρει στο τεμάχιο επεξεργασίας, η ακμή του δίσκου λείανσης που βυθίζεται στο τεμάχιο επεξεργασίας μπορεί να πιαστεί και έτσι να σπάσει ο δίσκος λείανσης ή να προκαλέσει αντεπιστροφή. Ο δίσκος λείανσης κινείται στη συνέχεια προς το χειριστή ή μακριά από αυτόν, ανάλογα με την κατεύθυνση περιστροφής του δίσκου στο σημείο μπλοκαρίσματος. Οι δίσκοι λείανσης μπορεί τότε να σπάσουν.

Η αντεπιστροφή είναι το επακόλουθο λάθους ή ελλιπούς χρήσης του ηλεκτρικού εργαλείου. Μπορεί να εμποδιστεί μέσω κατάλληλων προληπτικών μέτρων, όπως περιγράφεται κατωτέρω.

- α) **Κρατάτε το ηλεκτρικό εργαλείο σφικτά και τοποθετείτε το σώμα και τους βραχίονες σας σε μια θέση, στην οποία θα μπορείτε να δέξεστε τις δυνάμεις αντεπιστροφής.** Χρησιμοποιείτε πάντα την πρόσθετη λαβή, εφόσον διατίθεται, ώστε να έχετε το μεγαλύτερο δυνατό έλεγχο των δυνάμεων αντεπιστροφής ή ροπών αντίδρασης κατά την εκκίνηση. Ο χειριστής μπορεί να ελέγχει τις δυνάμεις αντεπιστροφής και αντίδρασης με κατάλληλα προληπτικά μέτρα.
- β) **Ποτέ μη φέρνετε τα χέρια σας κοντά σε περιστρεφόμενα εργαλεία εφαρμογής.** Το εργαλείο εφαρμογής μπορεί να μετακινηθεί πάνω από το χέρι σας σε περίπτωση αντεπιστροφής.
- γ) **Αποφεύγετε την περιοχή μπροστά και πίσω από τον περιστρεφόμενο δίσκο κοπής.** Η αντεπιστροφή οδηγεί το ηλεκτρικό εργαλείο αντίθετα από την κατεύθυνση κίνησης του δίσκου λείανσης στη θέση μπλοκαρίσματος.
- δ) **Να εργάζεστε ιδιαίτερα προσεκτικά κοντά σε γωνίες, αιχμηρές ακμές, κλπ. Εμποδίζετε αναπήδηση και μάγκωμα των εργαλείων εφαρμογής από το τεμάχιο επεξεργασίας.** Το περιστρεφόμενο εργαλείο εφαρμογής τείνει να μαγκώνει σε γωνίες, αιχμηρές ακμές ή όταν αναπηδάει. Αυτό προκαλεί απώλεια του ελέγχου ή αντεπιστροφή.
- ε) **Μη χρησιμοποιείτε αλυσίδες ή λεπίδες πρινιού καθώς και τμηματικούς διαμαντόδίσκους με εγκοπές πλάτους άνω των 10 mm.** Αυτά τα εργαλεία προκαλούν αντεπιστροφή ή απώλεια του ελέγχου του ηλεκτρικού εργαλείου.
- στ) **Αποφεύγετε μπλοκάρισμα του δίσκου κοπής ή πολύ υψηλή πίεση συμπίεσης. Μη διεξάγετε υπερβολικά βαθιές κοπές.** Μια υπερφόρτωση του δίσκου κοπής αυξάνει την επιβάρυνση του και την τάση συστορφής ή μπλοκαρίσματος και συνεπώς την πιθανότητα αντεπιστροφής ή σπασίματος του λειαντικού σώματος.

- η) Σε περίπτωση που μαγκώσει ο δίσκος κοπής ή διακόψετε την εργασία, απενεργοποιήστε τη συσκευή και κρατήστε την ήρεμα έως ότου ο δίσκος ακινητοποιηθεί. Ποτέ μην προσπαθείτε να τραβήξετε τον κινούμενο δίσκο κοπής από την κοπή, αλλιώς μπορεί να προκληθεί αντεπιστροφή. Εξακριβώστε και διορθώστε την αιτία του μαγκώματος.
- θ) Μην ενεργοποιήσετε πάλι το ηλεκτρικό εργαλείο, όσο αυτό βρίσκεται στο τεμάχιο επεξεργασίας. Αφήστε πρώτα το δίσκο κοπής να φτάσει στις πλήρεις στροφές του, προτού συνεχίσετε προσεκτικά την κοπή. Αλλιώς ο δίσκος μπορεί να μαγκώσει, να αναπηδήσει από το τεμάχιο επεξεργασίας ή να προκαλέσει αντεπιστροφή.
- ι) Στηρίζετε πλάκες ή μεγάλα τεμάχια επεξεργασίας ώστε να εμποδίζετε κίνδυνο αντεπιστροφής μέσω ενός μαγκωμένου δίσκου κοπής. Τα μεγάλα τεμάχια επεξεργασίας μπορούν να λυγίσουν από το ίδιο τους το βάρος. Το τεμάχιο επεξεργασίας πρέπει να τοποθετείται και στις δύο πλευρές του δίσκου και μάλιστα τόσο κοντά στο δίσκο κοπής όσο και στην άκρη.
- κ) Δείξτε ιδιαίτερη προσοχή κατά τις "βαθιές κοπές" σε ήδη υπάρχοντα τοιχία ή άλλα μη εμφανή μέρη. Μπορεί να προκληθεί αντεπιστροφή του βυθιζόμενου δίσκου κοπής κατά την κοπή αγωγών αερίου ή νερού, ηλεκτρικών αγωγών ή άλλων αντικειμένων.

Συμπληρωματικές οδηγίες

Επιτρεπόμενες κατασκευές δίσκων κοπής:

Δίσκοι κοπής με διαμαντένια άκρη, διάμετρος δίσκου 85 mm, πάχος δίσκου μέγ. 1,8 mm

- Φοράτε πάντα μάσκα προστασίας από τη σκόνη!
- Φοράτε πάντα προστασία για την ακοή!

Γνήσια εξαρτήματα/συμπληρωματικές συσκευές

- Χρησιμοποιείτε μόνο εξαρτήματα και συμπληρωματικές συσκευές που αναφέρονται στις οδηγίες χρήσης ή που οι υποδοχές τους είναι συμβατές με τη συσκευή.

Λεπίδα κοπής (σύμβολα)



Φοράτε προστασία για την ακοή!



Φοράτε γυαλιά προστασίας!



Φοράτε υποδήματα προστασίας!



Φοράτε προστατευτικά γάντια!



Φοράτε προστασία για την αναπνοή!



Δεν επιτρέπεται για υγρό τρόχισμα!



Επιτρεπόμενη διάμετρος των εργαλείων

Υποδείξεις ασφαλείας για εργαλεία λείανσης

α) Γενικά

Τα εργαλεία λείανσης σπάνε εύκολα, γι' αυτό απαιτείται εξαιρετική προσοχή κατά το χειρισμό τους. Η χρήση φθαρμένων, λάθος σφιγμένων ή τοποθετημένων εργαλείων λείανσης είναι επικίνδυνη και μπορεί να οδηγήσει σε σοβαρούς τραυματισμούς.

β) Χειρισμός, μεταφορά και αποθήκευση

Ο χειρισμός και η μεταφορά των εργαλείων λείανσης πρέπει να διεξάγονται με προσοχή. Τα εργαλεία λείανσης πρέπει να αποθηκεύονται κατά τέτοιο τρόπο ώστε να μην εκτίθενται σε μηχανικές φθορές ή αρνητικές επιδράσεις του περιβάλλοντος.

Αποφεύγετε κίνδυνο ζωής λόγω ηλεκτροπληξίας:

- Ελέγχετε τακτικά την κατάσταση της συσκευής, του καλωδίου δικτύου και του βύσματος. Μη θέτετε πλέον σε λειτουργία συσκευές με τέτοιου είδους εξαρτήματα με βλάβες. Ποτέ μην ανοίγετε τη συσκευή. Συσκευές, καλώδια σύνδεσης δικτύου ή βύσματα με βλάβη σημαίνουν κίνδυνο ζωής λόγω ηλεκτροπληξίας. Οι εργασίες επισκευών ή αλλαγών πρέπει να διεξάγονται μόνο από την υπηρεσία σέρβις ή από ηλεκτρολογικό προσωπικό.
- Μη λειτουργείτε τη συσκευή εάν είναι υγρή, ούτε και όταν βρίσκεται σε υγρό περιβάλλον.
- Όταν εργάζεστε σε εξωτερικό χώρο, συνδέετε τη συσκευή μέσω ενός διακόπτη προστασίας υπολειπόμενου ρεύματος (FI) με μέγιστο ρεύμα ενεργοποίησης 30 mA. Χρησιμοποιείτε μόνο ένα επιτρεπόμενο για εξωτερικό χώρο καλώδιο επέκτασης.

ΥΠΟΔΕΙΞΗ

- Κρατάτε πάντα το καλώδιο δικτύου μακριά από τον κύκλο εργασίας της μηχανής και οδηγείτε το πίσω και μακριά από αυτήν.

Θέση σε λειτουργία

Ενεργοποίηση και απενεργοποίηση

Ενεργοποίηση:

- ◆ Τραβήξτε το διακόπτη ON/OFF **6** προς τα πίσω.

Απενεργοποίηση:

- ◆ Αφήστε ελεύθερο το διακόπτη ON/OFF **6**.

Χαλάρωση φραγής εμβύθισης

- ◆ Πιέστε τη φραγή εμβύθισης **1** προς τα εμπρός και κρατήστε την πατημένη.

Προεπιλογή βάθους κοπής

ΥΠΟΔΕΙΞΗ

- Συστήνουμε να επιλέγετε το βάθος κοπής το δυνατόν περ. 2 mm μεγαλύτερο από το πάχος υλικού. Έτσι επιτυγχάνετε μια καθαρή κοπή.
- ◆ Χαλαρώστε το μοχλό γρήγορης σύσφιξης της προεπιλογής βάθους κοπής **7**, ρυθμίστε το επιθυμητό βάθος κοπής στη διαβάθμιση **7a** και σφίξτε πάλι το μοχλό γρήγορης σύσφιξης.

Τοποθέτηση παράλληλου αναστολέα

- ◆ Λασκάρτε τη βίδα παράλληλου αναστολέα **11a** στην πλάκα βάσης **9** και τοποθετήστε τον παράλληλο αναστολέα **11** στην υποδοχή παράλληλου αναστολέα **10**. Σφίξτε πάλι καλά τη βίδα **11a**.

Χειρισμός του βυθιζόμενου δισκοπρίονου

1. Τοποθετήστε το μηχάνημα επάνω στο υλικό και ενεργοποιήστε όπως περιγράφεται στο Κεφάλαιο "Ενεργοποίηση και απενεργοποίηση".
2. Κατευθύνετε εφόσον απαιτείται το μηχάνημα στον παράλληλο αναστολέα **11** ή σε μια σημειωμένη γραμμή.
3. Κόψτε με μέτρια πίεση.

Τύποι λεπίδων:

Οι απεσταλμένοι τύποι λεπίδων καλύπτουν τους συνήθεις τομείς χρήσης.

Λεπίδα δισκοπριονίου HW 20 Z85 / 30:

Περιγραφή: ø 85 mm, οδόντωση 30 HW Καταλληλότητα: μαλακό ξύλο, σκληρό ξύλο, πλάκες κάθε είδους, πλαστικά

Διαμαντένια λεπίδα κοπής 21 Z85VR:

Περιγραφή: ø 85 mm Δίσκος συνεχούς άκρου Καταλληλότητα: κεραμικά, πλαστικά

Λεπίδα δισκοπριονίου HS 22 Z85 / 36:

Περιγραφή: ø 85 mm, 36 οδοντώσεις - αριστερά/δεξιά με λυγισμένα εναλλάξ δόντια Καταλληλότητα: μαλακό ξύλο, μαλακό μέταλλο όπως αλουμίνιο, χαλκός, πλαστικά

Σήμανση μήκους κοπής

- ♦ Ανατρέξτε στις σήμανσεις για το μέγ. μήκος κοπής 8, για να ελέγξετε που ξεκινάει ή σταματάει η κοπή σας.

Σήμανση γραμμής κοπής

Το παράθυρο οπτικής επαφής γραμμής κοπής εξυπηρετεί την οδήγηση ακριβείας της μηχανής στην τοποθετημένη γραμμή κοπής στο τεμάχιο επεξεργασίας.

- ♦ Για μια ακριβή κοπή τοποθετήστε το μηχάνημα έτσι στο τεμάχιο επεξεργασίας, ώστε η σήμανση κοπής να εμφανίζεται στο παράθυρο οπτικής επαφής γραμμής κοπής 12.

Σύνδεση διάταξης απορρόφησης ρινιδιών

- ♦ Ωθήστε το σωλήνα απορρόφησης 19 στη σύνδεση της διάταξης απορρόφησης σκόνης 18.
- ♦ Συνδέστε μια εγκεκριμένη διάταξη απορρόφησης σκόνης και ρινιδιών στο σωλήνα απορρόφησης 19.

Αλλαγή λεπίδας πριονιού

1. Πιέστε την ασφάλιση ατράκτου 14 και λασκάρτε με το εσωτερικό εξάγωνο κλειδί 15 τη βίδα σύσφιξης 18 (για το άνοιγμα γυρίστε δεξιόστροφα). Τώρα απομακρύνετε τη βίδα σύσφιξης με ροδέλα 13 και τη φλάντζα σύσφιξης 17 (βλ. επίσης Εικ. Β).

2. Ρυθμίστε το βάθος κοπής στη μέγιστη θέση.
3. Περιστρέψτε την πλάκα βάσης 9 προς τα επάνω.
4. Απομακρύνετε τη λεπίδα 16.
5. Διεξάγετε την τοποθέτηση της λεπίδας πριονιού με την αντίστροφη σειρά από αυτήν που περιγράφηκε ανωτέρω.
6. Πιέστε την ασφάλιση ατράκτου 14 (έως ότου κουμπώσει) και σφίξτε καλά με το εσωτερικό εξάγωνο κλειδί τη βίδα σύσφιξης 18.

- Το βέλος στη λεπίδα πριονιού πρέπει να συμφωνεί με το βέλος κατεύθυνσης περιστροφής (η κατεύθυνση λειτουργίας, επισημαίνεται στη συσκευή).

Καθαρισμός και συντήρηση



ΠΡΟΕΙΔΟΠΟΙΗΣΗ! ΚΙΝΔΥΝΟΣ ΤΡΑΥΜΑΤΙΣΜΟΥ! Πριν διεξάγετε εργασίες στη συσκευή, τραβάτε πάντα το βύσμα από την πρίζα.

- Καθαρίζετε τη συσκευή μετά την ολοκλήρωση της εργασίας.
- Για τον καθαρισμό του περιβλήματος χρησιμοποιείτε ένα πανί και σε καμία περίπτωση βενζίνη, διαλυτικά μέσα ή καθαριστικά.

Απόρριψη



Η συσκευασία αποτελείται από φιλικά προς το περιβάλλον υλικά, τα οποία μπορείτε να απορρίψετε μέσω των τοπικών σημείων ανακύκλωσης.



Μην απορρίπτετε τα ηλεκτρικά εργαλεία στα οικιακά απορρίμματα!

Σύμφωνα με την Ευρωπαϊκή Οδηγία 2012/19/EU, τα χρησιμοποιημένα ηλεκτρικά εργαλεία πρέπει να συλλέγονται χωριστά και να οδηγούνται σε μια φιλική για το περιβάλλον επαναχρησιμοποίηση. Για τις δυνατότητες απόρριψης των αχρηστευμένων συσκευών ενημερώνεστε από τη διαχείριση της κοινότητας ή της πόλης σας.

Εγγύηση

Η παρούσα συσκευή διαθέτει 3 χρόνια εγγύηση από την ημερομηνία αγοράς. Η συσκευή κατασκευάστηκε και ελέγχθηκε προσεκτικά πριν από την αποστολή. Παρακαλούμε φυλάξτε την απόδειξη ταμείου ως απόδειξη για την αγορά. Σε περίπτωση απαίτησης εγγύησης επικοινωνήστε τηλεφωνικά με το τμήμα σέρβις. Μόνο έτσι μπορεί να εξασφαλιστεί δωρεάν αποστολή του εμπορεύματός σας.

Η απόδοση εγγύησης ισχύει μόνο για σφάλματα υλικού ή κατασκευής, όχι όμως για ζημιές από τη μεταφορά, για εξαρτήματα φθοράς ή για βλάβες σε εύθραυστα εξαρτήματα, π.χ. διακόπτες ή συσσωρευτές. Το προϊόν προορίζεται μόνο για ιδιωτική και όχι για επαγγελματική χρήση. Σε περίπτωση κακής μεταχείρισης και ακατάλληλης χρήσης, χρήσης βίας και παρεμβάσεων, οι οποίες δεν διεξήχθησαν από το εξουσιοδοτημένο μας τμήμα σέρβις, η εγγύηση παύει να ισχύει. Τα νομικά σας δικαιώματα δεν περιορίζονται μέσω αυτής της εγγύησης. Ο χρόνος εγγύησης δεν παρατείνεται μέσω της παροχής εγγύησης. Αυτό ισχύει και για εξαρτήματα, τα οποία έχουν αντικατασταθεί και επισκευαστεί. Ενδεχόμενες ήδη υπάρχουσες ζημιές και ελλείψεις κατά την αγορά πρέπει να γνωστοποιηθούν αμέσως μετά το άνοιγμα της συσκευασίας, το αργότερο ωστόσο δύο ημέρες μετά την ημερομηνία αγοράς. Μετά τη λήξη του χρόνου εγγύησης, τυχόν εμφανιζόμενες επισκευές χρεώνονται.

Σέρβις

⚠ ΠΡΟΕΙΔΟΠΟΙΗΣΗ!

- ▶ Η επισκευή των συσκευών σας πρέπει να γίνεται από την υπηρεσία σέρβις ή εξειδικευμένο ηλεκτρολογικό προσωπικό και μόνο με γνήσια εξαρτήματα. Έτσι διατηρείται η ασφάλεια της συσκευής.
- ▶ Η αλλαγή του βύσματος ή του καλωδίου δικτύου πρέπει να διεξάγεται πάντα από τον κατασκευαστή της συσκευής ή από το τμήμα εξυπηρέτησης πελατών του. Έτσι διατηρείται η ασφάλεια της συσκευής.

GR Σέρβις Ελλάδα

Tel.: 801 5000 019 (0,03 EUR/Min.)

E-Mail: kompernass@lidl.gr

IAN 273278

CY Σέρβις Κύπρος

Tel.: 8009 4409

E-Mail: kompernass@lidl.com.cy

IAN 273278

Τηλεφωνικό κέντρο (Hotline): Δευτέρα έως Παρασκευή, 8:00 - 20:00 (CET)

Εισαγωγέας

KOMPERNASS HANDELS GMBH

BURGSTRASSE 21

44867 BOCHUM

GERMANY

www.kompernass.com

Μετάφραση της Πρωτότυπης Δήλωση συμμόρφωσης

Εμείς, η KOMPERNASS HANDELS GMBH,
Υπεύθυνος τεκμηριώσεων: Κύριος Semi Uguzlu,
BURGSTR. 21, 44867 BOCHUM, ΓΕΡΜΑΝΙΑ,
δηλώνουμε δια της παρούσης ότι το παρόν προϊόν
συμφωνεί με τα ακόλουθα πρότυπα, τα κανονιστι-
κά έγγραφα και τις οδηγίες της ΕΚ:

Οδηγία περί μηχανών
(2006/42/EC)

Ηλεκτρομαγνητική συμβατότητα
(2004/108/EC)

Οδηγία RoHS (Σχετικά με τον περιορισμό
χρήσης συγκεκριμένων επικίνδυνων ουσιών
στον ηλεκτρικό και ηλεκτρονικό εξοπλισμό)
(2011/65/EU)

Εφαρμοσμένα εναρμονισμένα πρότυπα:

EN 60745-1 / A11: 2010

EN 60745-2-5: 2010

EN 60745-2-22 / A11: 2013

EN 55014-1 / A2: 2011

EN 55014-2 / A2: 2008

EN 61000-3-2 / A2: 2009

EN 61000-3-3: 2013

Τύπος/Περιγραφή συσκευής:

ΣΕΓΑ PTS 500 A1

Έτος κατασκευής: 08-2015

Αύξων αριθμός: IAN 273278

Bochum, 24/8/2015



Semi Uguzlu

- Διευθυντής ποιότητας -

Με την επιφύλαξη τεχνικών αλλαγών υπό την
έννοια της συνεχούς ανάπτυξης.

Inhaltsverzeichnis

Einleitung	30
Bestimmungsgemäßer Gebrauch	30
Ausstattung	30
Lieferumfang	30
Technische Daten	30
Allgemeine Sicherheitshinweise für Elektrowerkzeuge	31
1. Arbeitsplatz-Sicherheit	31
2. Elektrische Sicherheit	31
3. Sicherheit von Personen	32
4. Verwendung und Behandlung des Elektrowerkzeugs	32
5. Service	33
Gerätespezifische Sicherheitshinweise	33
Sicherheitshinweise für alle Sägen	33
Weitere Sicherheitshinweise für alle Sägen	33
Spezifische Sicherheitshinweise für diese Säge	34
Sicherheitshinweise für Trennschleifmaschinen	35
Weitere Sicherheitshinweise für Trennschleifanwendungen	36
Ergänzende Anweisungen	37
Originalzubehör / -zusatzgeräte	37
Sicherheitshinweise für Schleifwerkzeuge	38
Inbetriebnahme	38
Ein- und ausschalten	38
Tauchsperre lösen	38
Schnitt-Tiefe vorwählen	38
Parallelanschlag montieren	38
Handhabung der Tauchsäge	38
Markierung Schnittlänge	39
Markierung Schnittlinie	39
Spanabsaugung anschließen	39
Sägeblatt wechseln	39
Reinigung und Wartung	39
Entsorgung	39
Garantie	40
Service	40
Importeur	40
Original-Konformitätserklärung	41

DE
AT
CH

TAUCHSÄGE PTS 500 A1

Einleitung



Wir beglückwünschen Sie zum Kauf Ihres neuen Gerätes. Sie haben sich damit für ein hochwertiges Produkt entschieden. Die

Bedienungsanleitung ist Teil dieses Produkts. Sie enthält wichtige Hinweise für Sicherheit, Gebrauch und Entsorgung. Machen Sie sich vor der Benutzung des Produkts mit allen Bedien- und Sicherheitshinweisen vertraut. Benutzen Sie das Produkt nur wie beschrieben und für die angegebenen Einsatzbereiche. Händigen Sie alle Unterlagen bei Weitergabe des Produkts an Dritte mit aus.

Bestimmungsgemäßer Gebrauch

Die Maschine ist vorzugsweise zum Sägen von Längs- und Querschnitten im Tauchsägeschnitt mit fester Auflage in Vollholz, Spanplatten, Sperrholz, Aluminium, Fliesen, Gestein, Kunststoff und Leichtbaustoffen vorgesehen. Berücksichtigen Sie dabei, dass das vormontierte Sägeblatt nur zum Gebrauch mit Holz geeignet ist. Jede andere Verwendung oder Veränderung der Maschine gilt als nicht bestimmungsgemäß und birgt erhebliche Unfallgefahren. Nicht zum gewerblichen Gebrauch.

Ausstattung

- 1 Mechanische Tauchsperre
- 2 Netz Ein- / Kontrollleuchte
- 3 Netzleitung
- 4 Lüftungsschlitze
- 5 Abdeckung für Kohlebürsten
- 6 EIN- / AUS-Schalter
- 7 Schnitt-Tiefenvorwahl
- 7a Skala für Schnitt-Tiefe
- 8 Markierungen Schnittlänge
- 9 Grundplatte
- 10 Parallelanschlagaufnahme
- 11 Parallelanschlag
- 11a Schraube für Parallelanschlag
- 12 Sichtfenster Schnittlinie
- 13 Anschluss zur Staubabsaugung
- 14 Spindelarretierung
- 15 Innensechskantschlüssel
- 16 Sägeblatt
- 17 Klemmflansch

- 18 Spannschraube und Unterlegscheibe
- 19 Absaugschlauch
- 20 HW-Kreissägeblatt Z85 / 30
- 21 Trennsägeblatt diamantiert Z85VR
- 22 HS-Kreissägeblatt Z85 / 36

Lieferumfang

- 1 Tauchsäge PTS 500 A1
- 1 HW-Kreissägeblatt Z85 / 30
- 1 Trennsägeblatt diamantiert Z85VR
- 1 HS-Kreissägeblatt Z85 / 36
- 1 Parallelanschlag
- 1 Absaugschlauch
- 1 Innensechskantschlüssel
- 1 Tragekoffer
- 1 Bedienungsanleitung

Technische Daten

Nennleistung:	500 W
Nennspannung:	230 V ~, 50 Hz
Leerlaufdrehzahl:	n_0 4500 min ⁻¹
Max. Schnitt-Tiefe:	25 mm
Schutzklasse:	II/□

Geräusch- und Vibrationsinformationen:

Messwert für Geräusch ermittelt entsprechend EN 60745. Der A-bewertete Geräuschpegel des Elektrowerkzeugs beträgt typischerweise:

Schalldruckpegel:	82 dB(A)
Schalleistungspegel:	93 dB(A)
Unsicherheit K:	3 dB



Gehörschutz tragen!

Bewertete Beschleunigung, typischerweise:

Hand- / Armvibration $a_h = 2,266 \text{ m/s}^2$
 Unsicherheit K = 1,5 m/s²

⚠️ WARNUNG!

■ Der in diesen Anweisungen angegebene Schwingungspegel ist entsprechend einem in EN 60745 genormten Messverfahren gemessen worden und kann für den Gerätevergleich verwendet werden. Der angegebene Schwingungsemissionswert kann auch zu einer einleitenden Einschätzung der Aussetzung verwendet werden. Der Schwingungspegel wird sich entsprechend dem Einsatz des Elektrowerkzeugs verändern und kann in manchen Fällen über dem in diesen Anweisungen angegebenen Wert liegen. Die Schwingungsbelastung könnte unterschätzt werden, wenn das Elektrowerkzeug regelmäßig in solcher Weise verwendet wird.

HINWEIS

► Für eine genaue Abschätzung der Schwingungsbelastung während eines bestimmten Arbeitszeitraumes sollten auch die Zeiten berücksichtigt werden, in denen das Gerät abgeschaltet ist oder zwar läuft, aber nicht tatsächlich im Einsatz ist. Dies kann die Schwingungsbelastung über den gesamten Arbeitszeitraum deutlich reduzieren.



Allgemeine Sicherheitshinweise für Elektrowerkzeuge

⚠️ WARNUNG!

► Lesen Sie alle Sicherheitshinweise und Anweisungen. Versäumnisse bei der Einhaltung der Sicherheitshinweise und Anweisungen können elektrischen Schlag, Brand und/oder schwere Verletzungen verursachen.

Bewahren Sie alle Sicherheitshinweise und Anweisungen für die Zukunft auf.

Der in den Sicherheitshinweisen verwendete Begriff „Elektrowerkzeug“ bezieht sich auf netzbetriebene Elektrowerkzeuge (mit Netzkabel) und auf akkubetriebene Elektrowerkzeuge (ohne Netzkabel).

1. Arbeitsplatz-Sicherheit

- a) Halten Sie Ihren Arbeitsbereich sauber und gut beleuchtet. Unordnung und unbeleuchtete Arbeitsbereiche können zu Unfällen führen.
- b) Arbeiten Sie mit dem Elektrowerkzeug nicht in explosionsgefährdeter Umgebung, in der sich brennbare Flüssigkeiten, Gase oder Stäube befinden. Elektrowerkzeuge erzeugen Funken, die den Staub oder die Dämpfe entzünden können.
- c) Halten Sie Kinder und andere Personen während der Benutzung des Elektrowerkzeugs fern. Bei Ablenkung können Sie die Kontrolle über das Gerät verlieren.

2. Elektrische Sicherheit

- a) Der Anschlussstecker des Elektrowerkzeuges muss in die Steckdose passen. Der Stecker darf in keiner Weise verändert werden. Verwenden Sie keine Adapterstecker gemeinsam mit schutzgeerdeten Elektrowerkzeugen. Unveränderte Stecker und passende Steckdosen verringern das Risiko eines elektrischen Schlages.
- b) Vermeiden Sie Körperkontakt mit geerdeten Oberflächen, wie von Rohren, Heizungen, Herden und Kühlschränken. Es besteht ein erhöhtes Risiko durch elektrischen Schlag, wenn Ihr Körper geerdet ist.
- c) Halten Sie Elektrowerkzeuge von Regen oder Nässe fern. Das Eindringen von Wasser in ein Elektrogerät erhöht das Risiko eines elektrischen Schlages.
- d) Zweckenfremden Sie das Kabel nicht, um das Elektrowerkzeug zu tragen, aufzuhängen oder um den Stecker aus der Steckdose zu ziehen. Halten Sie das Kabel fern von Hitze, Öl, scharfen Kanten oder sich bewegenden Geräteteilen. Beschädigte oder verwickelte Kabel erhöhen das Risiko eines elektrischen Schlages.
- e) Wenn Sie mit einem Elektrowerkzeug im Freien arbeiten, verwenden Sie nur Verlängerungskabel, die auch für den Außenbereich zugelassen sind. Die Anwendung eines für den Außenbereich geeigneten Verlängerungskabels verringert das Risiko eines elektrischen Schlages.
- f) Wenn der Betrieb des Elektrowerkzeuges in feuchter Umgebung nicht vermeidbar ist, verwenden Sie einen Fehlerstromschutzschalter. Der Einsatz eines Fehlerstromschutzschalters vermindert das Risiko eines elektrischen Schlages.

3. Sicherheit von Personen

- a) Seien Sie stets aufmerksam, achten Sie darauf, was Sie tun und gehen Sie mit Vernunft an die Arbeit mit einem Elektrowerkzeug. Benutzen Sie kein Elektrowerkzeug, wenn Sie krank oder müde oder unter dem Einfluss von Drogen, Alkohol oder Medikamenten stehen. Ein Moment der Unachtsamkeit beim Gebrauch des Elektrowerkzeuges kann zu ernsthaften Verletzungen führen.
- b) Tragen Sie persönliche Schutzausrüstung und immer eine Schutzbrille. Das Tragen persönlicher Schutzausrüstung wie Staubmaske, rutschfeste Sicherheitsschuhe, Schutzhelm oder Gehörschutz, je nach Art und Einsatz des Elektrowerkzeuges, verringert das Risiko von Verletzungen.
- c) Vermeiden Sie eine unbeabsichtigte Inbetriebnahme. Vergewissern Sie sich, dass das Elektrowerkzeug ausgeschaltet ist, bevor Sie es an die Stromversorgung und / oder den Akku anschließen, es aufnehmen oder tragen. Wenn Sie beim Tragen des Elektrowerkzeuges den Finger am Schalter haben oder das Gerät bereits eingeschaltet an die Stromversorgung anschließen, kann dies zu Unfällen führen.
- d) Entfernen Sie Einstellwerkzeuge oder Schraubenschlüssel, bevor Sie das Elektrowerkzeug einschalten. Ein Werkzeug oder Schlüssel, der sich in einem drehenden Geräteteil befindet, kann zu Verletzungen führen.
- e) Vermeiden Sie eine abnormale Körperhaltung. Sorgen Sie für einen sicheren Stand und halten Sie jederzeit das Gleichgewicht. Dadurch können Sie das Elektrowerkzeug in unerwarteten Situationen besser kontrollieren.
- f) Tragen Sie geeignete Kleidung. Tragen Sie keine weite Kleidung oder Schmuck. Halten Sie Haare, Kleidung und Handschuhe fern von sich bewegenden Teilen. Lockere Kleidung, Schmuck oder lange Haare können von sich bewegenden Teilen erfasst werden.
- g) Wenn Staubabsaug- und -auffangeinrichtungen montiert werden können, vergewissern Sie sich, dass diese angeschlossen sind und richtig verwendet werden. Die Verwendung einer Staubabsaugung kann Gefährdungen durch Staub verringern.

4. Verwendung und Behandlung des Elektrowerkzeugs

- a) Überlasten Sie das Gerät nicht. Verwenden Sie für Ihre Arbeit das dafür bestimmte Elektrowerkzeug. Mit dem passenden Elektrowerkzeug arbeiten Sie besser und sicherer im angegebenen Leistungsbereich.
- b) Benutzen Sie kein Elektrowerkzeug, dessen Schalter defekt ist. Ein Elektrowerkzeug, das sich nicht mehr ein- oder ausschalten lässt, ist gefährlich und muss repariert werden.
- c) Ziehen Sie den Stecker aus der Steckdose und / oder entfernen Sie den Akku, bevor Sie Geräteeinstellungen vornehmen, Zubehörteile wechseln oder das Gerät weglegen. Diese Vorsichtsmaßnahme verhindert den unbeabsichtigten Start des Elektrowerkzeuges.
- d) Bewahren Sie unbenutzte Elektrowerkzeuge außerhalb der Reichweite von Kindern auf. Lassen Sie Personen das Gerät nicht benutzen, die mit diesem nicht vertraut sind oder diese Anweisungen nicht gelesen haben. Elektrowerkzeuge sind gefährlich, wenn sie von unerfahrenen Personen benutzt werden.
- e) Pflegen Sie Elektrowerkzeuge mit Sorgfalt. Kontrollieren Sie, ob bewegliche Teile einwandfrei funktionieren und nicht klemmen, ob Teile gebrochen oder so beschädigt sind, dass die Funktion des Elektrowerkzeuges beeinträchtigt ist. Lassen Sie beschädigte Teile vor dem Einsatz des Gerätes reparieren. Viele Unfälle haben ihre Ursache in schlecht gewarteten Elektrowerkzeugen.
- f) Halten Sie Schneidwerkzeuge scharf und sauber. Sorgfältig gepflegte Schneidwerkzeuge mit scharfen Schneidkanten verklemmen sich weniger und sind leichter zu führen.
- g) Verwenden Sie Elektrowerkzeug, Zubehör, Einsatzwerkzeuge usw. entsprechend diesen Anweisungen. Berücksichtigen Sie dabei die Arbeitsbedingungen und die auszuführende Tätigkeit. Der Gebrauch von Elektrowerkzeugen für andere als die vorgesehenen Anwendungen kann zu gefährlichen Situationen führen.

5. Service

- a) Lassen Sie Ihr Elektrowerkzeug nur von qualifiziertem Fachpersonal und nur mit Original-Ersatzteilen reparieren. Damit wird sichergestellt, dass die Sicherheit des Elektrowerkzeugs erhalten bleibt.

Gerätespezifische Sicherheitshinweise

Sicherheitshinweise für alle Sägen

Sägeverfahren

- a)  **GEFAHR!** Kommen Sie mit Ihren Händen nicht in den Sägebereich und an das Sägeblatt. Halten Sie mit Ihrer zweiten Hand den Zusatzgriff oder das Motorgehäuse. Wenn beide Hände die Säge halten, können diese vom Sägeblatt nicht verletzt werden.
- b) **Greifen Sie nicht unter das Werkstück.** Die Schutzhaube kann Sie unter dem Werkstück nicht vor dem Sägeblatt schützen.
- c) **Passen Sie die Schnitt-Tiefe an die Dicke des Werkstücks an.** Es sollte weniger als eine volle Zahnhöhe unter dem Werkstück sichtbar sein.
- d) **Halten Sie das zu sägende Werkstück niemals in der Hand oder über dem Bein fest. Sichern Sie das Werkstück an einer stabilen Aufnahme.** Es ist wichtig, das Werkstück gut zu befestigen, um die Gefahr von Körperkontakt, Klemmen des Sägeblattes oder Verlust der Kontrolle zu minimieren.
- e) **Fassen Sie das Elektrowerkzeug nur an den isolierten Griffflächen an, wenn Sie Arbeiten ausführen, bei denen das Einsatzwerkzeug verborgene Stromleitungen treffen kann.** Kontakt mit einer spannungsführenden Leitung setzt auch die Metallteile des Elektrowerkzeugs unter Spannung und führt zu einem elektrischen Schlag.
- f) **Verwenden Sie beim Längsschneiden immer einen Anschlag oder eine gerade Kantenführung.** Dies verbessert die Schnittgenauigkeit und verringert die Möglichkeit, dass das Sägeblatt klemmt.

- g) **Verwenden Sie immer Sägeblätter in der richtigen Größe und mit passender Aufnahmebohrung (z.B. sternförmig oder rund).** Sägeblätter, die nicht zu den Montageteilen der Säge passen, laufen unrund und führen zum Verlust der Kontrolle.
- h) **Verwenden Sie niemals beschädigte oder falsche Sägeblatt-Unterlegscheiben oder -schrauben.** Die Sägeblatt-Unterlegscheiben und -schrauben wurden speziell für Ihre Säge konstruiert, für optimale Leistung und Betriebssicherheit.

Weitere Sicherheitshinweise für alle Sägen

Rückschlag - Ursachen und entsprechende Sicherheitshinweise:

- Ein Rückschlag ist die plötzliche Reaktion infolge eines hakenden, klemmenden oder falsch ausgerichteten Sägeblattes, die dazu führt, dass eine unkontrollierte Säge abhebt und sich aus dem Werkstück heraus in Richtung der Bedienperson bewegt;
- wenn sich das Sägeblatt in dem sich schließenden Sägespalt verhakt oder verklemmt, blockiert es, und die Motorkraft schlägt das Gerät in Richtung der Bedienperson zurück;
- wird das Sägeblatt im Sägeschnitt verdreht oder falsch ausgerichtet, können sich die Zähne der hinteren Sägeblattkante in der Oberfläche des Werkstücks verhaken, wodurch sich das Sägeblatt aus dem Sägespalt herausbewegt und die Säge in Richtung der Bedienperson zurückspringt.

Ein Rückschlag ist die Folge eines falschen oder fehlerhaften Gebrauchs der Säge. Er kann durch geeignete Vorsichtsmaßnahmen, wie nachfolgend beschrieben, verhindert werden.

- a) **Halten Sie die Säge mit beiden Händen fest und bringen Sie Ihre Arme in eine Stellung, in der Sie die Rückschlagkräfte abfangen können. Halten Sie sich immer seitlich des Sägeblattes, nie das Sägeblatt in eine Linie mit Ihrem Körper bringen.** Bei einem Rückschlag kann die Kreissäge rückwärts springen, jedoch kann die Bedienperson durch geeignete Vorsichtsmaßnahmen die Rückschlagkräfte beherrschen.

- b) Falls das Sägeblatt verklemmt oder Sie die Arbeit unterbrechen, schalten Sie die Säge aus und halten Sie sie im Werkstoff ruhig, bis das Sägeblatt zum Stillstand gekommen ist. **Versuchen Sie nie, die Säge aus dem Werkstück zu entfernen oder sie rückwärts zu ziehen, solange das Sägeblatt sich bewegt, sonst kann ein Rückschlag erfolgen.** Ermitteln und beheben Sie die Ursache für das Verklemmen des Sägeblattes.
- c) **Wenn Sie eine Säge, die im Werkstück steckt, wieder starten wollen, zentrieren Sie das Sägeblatt im Sägespalt und überprüfen Sie, ob die Sägezähne nicht im Werkstück verhakt sind.** Klemmt das Sägeblatt, kann es sich aus dem Werkstück heraus bewegen oder einen Rückschlag verursachen, wenn die Säge erneut gestartet wird.
- d) **Stützen Sie große Platten ab, um das Risiko eines Rückschlags durch ein klemmendes Sägeblatt zu vermindern.** Große Platten können sich unter ihrem Eigengewicht durchbiegen. Platten müssen auf beiden Seiten abgestützt werden, sowohl in der Nähe des Sägespalts als auch an der Kante.
- e) **Verwenden Sie keine stumpfen oder beschädigten Sägeblätter.** Sägeblätter mit stumpfen oder falsch ausgerichteten Zähnen verursachen durch einen zu engen Sägespalt eine erhöhte Reibung, Klemmen des Sägeblattes und Rückschlag.
- f) **Ziehen Sie vor dem Sägen die Schnitt-Tiefen und Schnitt-Winkeleinstellungen fest.** Wenn sich während des Sägens die Einstellungen verändern, kann sich das Sägeblatt verklemmen und ein Rückschlag auftreten.
- g) **Seien Sie besonders vorsichtig beim Sägen in bestehende Wände oder andere nicht einsehbare Bereiche.** Das eintauchende Sägeblatt kann beim Sägen in verborgene Objekte blockieren und einen Rückschlag verursachen.

Spezifische Sicherheitshinweise für diese Säge

Funktion der unteren Schutzhaube:

- a) Überprüfen Sie vor jeder Benutzung, ob die Schutzhaube einwandfrei schließt. Verwenden Sie die Säge nicht, wenn die Schutzhaube nicht frei beweglich ist und sich nicht sofort schließt. Klemmen oder binden Sie die Schutzhaube niemals fest; dadurch wäre das Sägeblatt ungeschützt. Sollte die Säge unbeabsichtigt zu Boden fallen, kann die Schutzhaube verbogen werden. Stellen Sie sicher, dass die Schutzhaube sich frei bewegt und bei allen Schnittwinkeln und -tiefen weder Sägeblatt noch andere Teile berührt.
- b) Überprüfen Sie Zustand und Funktion der Feder für die Schutzhaube. Lassen Sie die Säge vor dem Gebrauch warten, wenn Schutzhaube und Feder nicht einwandfrei arbeiten. Beschädigte Teile, klebrige Ablagerungen oder Anhäufungen von Spänen lassen die untere Schutzhaube verzögert arbeiten.
- c) **Sichern Sie beim „Tauschnitt“, der nicht rechtwinklig ausgeführt wird, die Grundplatte der Säge gegen seitliches Verschieben.** Ein seitliches Verschieben kann zum Klemmen des Sägeblattes und damit zum Rückschlag führen.
- d) **Legen Sie die Säge nicht auf der Werkbank oder dem Boden ab, ohne dass die Schutzhaube das Sägeblatt bedeckt.** Ein ungeschütztes, nachlaufendes Sägeblatt bewegt die Säge entgegen der Schnittrichtung und sagt, was ihm im Weg ist. Beachten Sie dabei die Nachlaufzeit der Säge.

Ergänzende Anweisungen:

- Verwenden Sie keine Schleifscheiben.
- Verwenden Sie nur Sägeblätter mit Durchmessern entsprechend den Aufschriften auf der Säge.
- Beim Bearbeiten von Holz oder Materialien, bei denen gesundheitsgefährdender Staub entsteht, ist das Gerät an eine passende, geprüfte Absaugvorrichtung anzuschließen.
- Tragen Sie beim Sägen von Holz eine Staubschutzmaske.
- Verwenden Sie nur empfohlene Sägeblätter.

- Tragen Sie immer einen Gehörschutz.
- Vermeiden Sie ein Überhitzen der Sägezahnspitzen.
- Vermeiden Sie beim Sägen von Kunststoff ein Schmelzen des Kunststoffs.

Schutzhaube prüfen:

- Ziehen Sie den Rückziehhelb für Schutzhaube bis zum Anschlag. Die Schutzhaube muss ohne zu klemmen bewegbar sein und bei Loslassen des Rückziehhelbs für die Schutzhaube selbst in die Ausgangsposition zurückspringen.

Kreissägeblätter (Symbole)



Schutzhandschuhe tragen!



Atemschutz tragen!



Schutzbrille tragen!



Gehörschutz tragen!

**Sicherheitshinweise für
Trennschleifmaschinen**

- a) Die zum Elektrowerkzeug gehörende Schutzhaube muss sicher angebracht und so eingestellt sein, dass ein Höchstmaß an Sicherheit erreicht wird, d. h. der kleinstmögliche Teil des Schleifkörpers zeigt offen zur Bedienperson. Halten Sie und in der Nähe befindliche Personen sich außerhalb der Ebene der rotierenden Schleifscheibe auf. Die Schutzhaube soll die Bedienperson vor Bruchstücken und zufälligem Kontakt mit dem Schleifkörper schützen.
- b) Verwenden Sie ausschließlich diamantbesetzte Trennscheiben für Ihr Elektrowerkzeug. Nur weil Sie das Zubehör an Ihrem Elektrowerkzeug befestigen können, garantiert das keine sichere Verwendung.
- c) Die zulässige Drehzahl des Einsatzwerkzeugs muss mindestens so hoch sein wie die auf dem Elektrowerkzeug angegebene Höchstdrehzahl. Zubehör, das sich schneller als zulässig dreht, kann zerbrechen und umherfliegen.

- d) Schleifkörper dürfen nur für die empfohlenen Einsatzmöglichkeiten verwendet werden. Zum Beispiel: Schleifen Sie nie mit der Seitenfläche einer Trennscheibe. Trennscheiben sind zum Materialabtrag mit der Kante der Scheibe bestimmt. Seitliche Krafteinwirkung auf diese Schleifkörper kann sie zerbrechen.
- e) Verwenden Sie immer unbeschädigte Spannfleische in der richtigen Größe und Form für die von Ihnen gewählte Schleifscheibe. Geeignete Flansche stützen die Schleifscheibe und verringern so die Gefahr eines Schleifscheibenbruchs.
- f) Verwenden Sie keine abgenutzten Schleifscheiben von größeren Elektrowerkzeugen. Schleifscheiben für größere Elektrowerkzeuge sind nicht für die höheren Drehzahlen von kleineren Elektrowerkzeugen ausgelegt und können brechen.
- g) Außendurchmesser und Dicke des Einsatzwerkzeugs müssen den Maßangaben Ihres Elektrowerkzeugs entsprechen. Falsch bemessene Einsatzwerkzeuge können nicht ausreichend abgeschirmt oder kontrolliert werden.
- h) Schleifscheiben und Flansche müssen genau auf die Schleifspindel Ihres Elektrowerkzeugs passen. Einsatzwerkzeuge, die nicht genau auf die Schleifspindel des Elektrowerkzeugs passen, drehen sich ungleichmäßig, vibrieren sehr stark und können zum Verlust der Kontrolle führen.
- i) Verwenden Sie keine beschädigten Schleifscheiben. Kontrollieren Sie vor jeder Verwendung die Schleifscheiben auf Absplittungen und Risse. Wenn das Elektrowerkzeug oder die Schleifscheibe herunterfällt, überprüfen Sie, ob es / sie beschädigt ist, oder verwenden Sie eine unbeschädigte Schleifscheibe. Wenn Sie die Schleifscheibe kontrolliert und eingesetzt haben, halten Sie und in der Nähe befindliche Personen sich außerhalb der Ebene der rotierenden Schleifscheibe auf und lassen Sie das Gerät eine Minute lang mit Höchstdrehzahl laufen. Beschädigte Schleifscheiben brechen meist in dieser Testzeit.
- j) Tragen Sie persönliche Schutzausrüstung. Verwenden Sie je nach Anwendung Vollgesichtsschutz, Augenschutz oder Schutzbrille.

DE
AT
CH

Soweit angemessen, tragen Sie Staubmaske, Gehörschutz, Schutzhandschuhe oder Spezialschürze, die kleine Schleif- und Materialpartikel von Ihnen fernhält. Die Augen sollen vor herumfliegenden Fremdkörpern geschützt werden, die bei verschiedenen Anwendungen entstehen. Staub- oder Atemschutzmaske müssen den bei der Anwendung entstehenden Staub filtern. Wenn Sie lange lautem Lärm ausgesetzt sind, können Sie einen Hörverlust erleiden.

- k) **Achten Sie bei anderen Personen auf sicheren Abstand zu Ihrem Arbeitsbereich. Jeder, der den Arbeitsbereich betritt, muss persönliche Schutzausrüstung tragen.** Bruchstücke des Werkstücks oder gebrochener Einsatzwerkzeuge können wegfiegen und Verletzungen auch außerhalb des direkten Arbeitsbereichs verursachen.
- l) **Halten Sie das Gerät nur an den isolierten Griffflächen, wenn Sie Arbeiten ausführen, bei denen das Einsatzwerkzeug verborgene Stromleitungen oder das eigene Netzkabel treffen kann.** Der Kontakt mit einer spannungsführenden Leitung kann auch metallene Geräteteile unter Spannung setzen und zu einem elektrischen Schlag führen.
- m) **Halten Sie das Netzkabel von sich drehenden Einsatzwerkzeugen fern.** Wenn Sie die Kontrolle über das Gerät verlieren, kann das Netzkabel durchtrennt oder erfasst werden und Ihre Hand oder Ihr Arm in das sich drehende Einsatzwerkzeug geraten.
- n) **Legen Sie das Elektrowerkzeug niemals ab, bevor das Einsatzwerkzeug völlig zum Stillstand gekommen ist.** Das sich drehende Einsatzwerkzeug kann in Kontakt mit der Ablagefläche geraten, wodurch Sie die Kontrolle über das Elektrowerkzeug verlieren können.
- o) **Lassen Sie das Elektrowerkzeug nicht laufen, während Sie es tragen.** Ihre Kleidung kann durch zufälligen Kontakt mit dem sich drehenden Einsatzwerkzeug erfasst werden, und das Einsatzwerkzeug sich in Ihren Körper bohren.
- p) **Reinigen Sie regelmäßig die Lüftungsschlitze Ihres Elektrowerkzeugs.** Das Motorgebläse zieht Staub in das Gehäuse, und eine starke Ansammlung von Metallstaub kann elektrische Gefahren verursachen.

- q) **Verwenden Sie das Elektrowerkzeug nicht in der Nähe brennbarer Materialien.** Funken können diese Materialien entzünden.
- r) **Verwenden Sie keine Einsatzwerkzeuge die flüssige Kühlmittel erfordern.** Die Verwendung von Wasser oder anderen flüssigen Kühlmitteln kann zu einem elektrischen Schlag führen.

Weitere Sicherheitshinweise für Trennschleifanwendungen

Rückschlag und entsprechende Sicherheitshinweise

Rückschlag ist die plötzliche Reaktion infolge einer hakenden oder blockierten drehenden Schleifscheibe. Verhaken oder Blockieren führt zu einem abrupten Stopp des rotierenden Einsatzwerkzeugs. Dadurch wird ein unkontrolliertes Elektrowerkzeug gegen die Drehrichtung des Einsatzwerkzeugs an der Blockierstelle beschleunigt.

Wenn z. B. eine Schleifscheibe im Werkstück hakt oder blockiert, kann sich die Kante der Schleifscheibe, die in das Werkstück eintaucht, verfangen und dadurch die Schleifscheibe ausbrechen oder einen Rückschlag verursachen. Die Schleifscheibe bewegt sich dann auf die Bedienperson zu oder von ihr weg, je nach Drehrichtung der Scheibe an der Blockierstelle. Hierbei können Schleifscheiben auch brechen.

Ein Rückschlag ist die Folge eines falschen oder fehlerhaften Gebrauchs des Elektrowerkzeugs. Er kann durch geeignete Vorsichtsmaßnahmen, wie nachfolgend beschrieben, verhindert werden.

- a) **Halten Sie das Elektrowerkzeug gut fest und bringen Sie Ihren Körper und Ihre Arme in eine Position, in der Sie die Rückschlagkräfte abfangen können.** Verwenden Sie immer den Zusatzgriff, falls vorhanden, um die größtmögliche Kontrolle über Rückschlagkräfte oder Reaktionsmomente beim Hochlauf zu haben. Die Bedienperson kann durch geeignete Vorsichtsmaßnahmen die Rückschlag- und Reaktionskräfte beherrschen.
- b) **Bringen Sie Ihre Hand nie in die Nähe sich drehender Einsatzwerkzeuge.** Das Einsatzwerkzeug kann sich beim Rückschlag über Ihre Hand bewegen.

- c) **Meiden Sie den Bereich vor und hinter der rotierenden Trennscheibe.** Der Rückschlag treibt das Elektrowerkzeug in die Richtung entgegengesetzt zur Bewegung der Schleifscheibe an der Blockierstelle.
- d) **Arbeiten Sie besonders vorsichtig im Bereich von Ecken, scharfen Kanten usw. Verhindern Sie, dass Einsatzwerkzeuge vom Werkstück zurückprallen und verklemmen.** Das rotierende Einsatzwerkzeug neigt bei Ecken, scharfen Kanten oder wenn es abprallt dazu, sich zu verklemmen. Dies verursacht einen Kontrollverlust oder Rückschlag.
- e) **Verwenden Sie kein Ketten- oder gezähntes Sägeblatt sowie keine segmentierte Diamantscheibe mit mehr als 10 mm breiten Schlitzten.** Solche Einsatzwerkzeuge verursachen einen Rückschlag oder den Verlust der Kontrolle über das Elektrowerkzeug.
- f) **Vermeiden Sie ein Blockieren der Trennscheibe oder zu hohen Anpressdruck. Führen Sie keine übermäßig tiefen Schnitte aus.** Eine Überlastung der Trennscheibe erhöht deren Beanspruchung und die Anfälligkeit zum Verkanten oder Blockieren und damit die Möglichkeit eines Rückschlags oder Schleifkörperbruchs.
- g) **Falls die Trennscheibe verklemmt oder Sie die Arbeit unterbrechen, schalten Sie das Gerät aus und halten Sie es ruhig, bis die Scheibe zum Stillstand gekommen ist. Versuchen Sie nie, die noch laufende Trennscheibe aus dem Schnitt zu ziehen, sonst kann ein Rückschlag erfolgen.** Ermitteln und beheben Sie die Ursache für das Verklemmen.
- h) **Schalten Sie das Elektrowerkzeug nicht wieder ein, solange es sich im Werkstück befindet. Lassen Sie die Trennscheibe erst ihre volle Drehzahl erreichen, bevor Sie den Schnitt vorsichtig fortsetzen.** Anderenfalls kann die Scheibe verhaken, aus dem Werkstück springen oder einen Rückschlag verursachen.
- i) **Stützen Sie Platten oder große Werkstücke ab, um das Risiko eines Rückschlags durch eine eingeklemmte Trennscheibe zu vermindern.** Große Werkstücke können sich unter ihrem eigenen Gewicht durchbiegen. Das Werkstück muss auf beiden Seiten der Scheibe abgesetzt

werden, und zwar sowohl in der Nähe des Trennschnitts als auch an der Kante.

- j) **Seien Sie besonders vorsichtig bei „Taschenschnitten“ in bestehende Wände oder andere nicht einsehbare Bereiche.** Die eintauchende Trennscheibe kann beim Schneiden in Gas- oder Wasserleitungen, elektrische Leitungen oder andere Objekte einen Rückschlag verursachen.

Ergänzende Anweisungen

Zulässige Trennscheibenkonstruktionen:

Diamantbesetzte, Scheibendurchmesser 85 mm, Scheibendicke max. 1,8 mm

- Tragen Sie immer eine Staubschutzmaske!
- Tragen Sie immer einen Gehörschutz!

Originalzubehör / -zusatzgeräte

- Benutzen Sie nur Zubehör und Zusatzgeräte, die in der Bedienungsanleitung angegeben sind bzw. deren Aufnahme mit dem Gerät kompatibel ist.

Trennsägeblatt (Symbole)



Gehörschutz tragen!



Schutzbrille tragen!



Sicherheitsschuhe tragen!



Schutzhandschuhe tragen!



Atemschutz tragen!



Nicht zulässig für Nassschleifen!



Zugelassener Durchmesser der Werkzeuge

Sicherheitshinweise für Schleifwerkzeuge

a) Allgemeines

Schleifwerkzeuge sind bruchempfindlich, daher ist äußerste Sorgfalt beim Umgang mit Schleifwerkzeugen erforderlich. Die Verwendung von beschädigten, falsch aufgespannten oder eingesetzten Schleifwerkzeugen ist gefährlich und kann zu schwerwiegenden Verletzungen führen.

b) Handhabung, Transport und Lagerung

Schleifwerkzeuge sind mit Sorgfalt zu behandeln und zu transportieren. Schleifwerkzeuge sind so zu lagern, dass sie keinen mechanischen Beschädigungen und schädigenden Umwelteinflüssen ausgesetzt sind.

Vermeiden Sie Lebensgefahr durch elektrischen Schlag:

- Kontrollieren Sie regelmäßig den Zustand von Gerät, Netzkabel und den Netzstecker. Nehmen Sie Geräte mit derart beschädigten Teilen nicht mehr in Betrieb. Öffnen Sie niemals das Gerät. Beschädigte Geräte, Netzanschlussleitung oder Netzstecker bedeuten Lebensgefahr durch elektrischen Schlag. Lassen Sie Reparatur- oder Austauscharbeiten nur von der Servicestelle oder einer Elektrofachkraft durchführen.
- Betreiben Sie das Gerät nicht, wenn es feucht ist, und auch nicht in feuchter Umgebung.
- Schließen Sie, wenn Sie im Freien arbeiten, das Gerät über einen Fehlerstrom (FI)-Schutzschalter mit maximal 30 mA Auslösestrom an. Verwenden Sie nur ein für den Außenbereich zugelassenes Verlängerungskabel.

HINWEIS

- ▶ Halten Sie das Netzkabel stets vom Wirkungskreis der Maschine fern und führen Sie es nach hinten von der Maschine weg.

Inbetriebnahme

Ein- und ausschalten

Einschalten:

- ◆ Ziehen Sie den EIN / AUS-Schalter **6** nach hinten.

Ausschalten:

- ◆ Lassen Sie den EIN / AUS-Schalter **6** los.

Tauchsperre lösen

- ◆ Drücken Sie die Tauchsperre **1** nach vorne und halten diese gedrückt.

Schnitt-Tiefe vorwählen

HINWEIS

- ▶ Wir empfehlen, die Schnitt-Tiefe möglichst ca. 2 mm größer als die Materialstärke zu wählen. Dadurch erzielen Sie einen sauberen Schnitt.
- ◆ Lösen Sie den Schnellspanhebel der Schnitt-Tiefenvorwahl **7**, und stellen Sie die gewünschte Schnitt-Tiefe an der Skala **7a** ein und klemmen Sie den Schnellspanhebel wieder fest.

Parallelanschlag montieren

- ◆ Lösen Sie die Schraube für Parallelanschlag **11a** an der Grundplatte **9** und setzen Sie den Parallelanschlag **11** in die Parallelanschlagaufnahme **10** ein. Ziehen Sie diese Schraube **11a** wieder fest.

Handhabung der Tauchsäge

1. Maschine auf das Material setzen und einschalten, wie in Kapitel »Ein- und ausschalten« beschrieben.
2. Richten Sie ggf. die Maschine am Parallelanschlag **11** oder an einer aufgezeichneten Linie aus.
3. Sägen Sie mit mäßigem Druck.

Sägeblatt-Typen:

Die mitgelieferten Sägeblatt-Typen decken die gängigsten Anwendungsbereiche ab.

HW-Kreissägeblatt 20 Z85 / 30:

Beschreibung: ø 85 mm, 30 HW-Zähne Eignung: Weichholz, Hartholz, Platten jeder Art, Kunststoffe

Trennsägeblatt diamantiert 21 Z85VR:

Beschreibung: ø 85 mm Vollrandscheibe Eignung: Keramik, Kunststoffe

HS-Kreissägeblatt 22 Z85 / 36:

Beschreibung: ø 85 mm, 36 Zähne - links / rechts geschränkt Eignung: Weichholz, Weichmetall wie Aluminium, Kupfer, Kunststoffe

Markierung Schnittlänge

- ◆ Orientieren Sie sich an den Markierungen für die max. Schnittlänge 8, um zu überprüfen, wo Ihr Schnitt anfängt bzw. aufhört.

Markierung Schnittlinie

Das Sichtfenster Schnittlinie dient der präzisen Führung der Maschine an der auf dem Werkstück aufgebracht Schnittlinie.

- ◆ Für einen maßgenauen Schnitt setzen Sie die Maschine so auf das Werkstück, dass die Schnittmarkierung im Sichtfenster Schnittlinie 12 erscheint.


Spanabsaugung anschließen

- ◆ Schieben Sie den Absaugschlauch 19 auf den Anschluss zur Staubabsaugung 16.
- ◆ Schließen Sie eine zugelassene Staub- und Spanabsaugung an den Absaugschlauch 19 an.

Sägeblatt wechseln

1. Betätigen Sie die Spindelarreterierung 14 und lösen Sie mit dem Innensechskantschlüssel 15 die Spannschraube 13 (zum Öffnen im Uhrzeigersinn drehen). Nehmen Sie jetzt die Spannschraube mit Unterlegscheibe 18 und den Klemmflansch 17 ab (siehe auch Abb. B).
2. Setzen Sie die Schnitt-Tiefe auf die maximale Position.
3. Schwenken Sie die Grundplatte 9 nach oben.
4. Nehmen Sie das Sägeblatt 16 ab.
5. Einbau des Sägeblattes entsprechend in umgekehrter Reihenfolge wie beschrieben vornehmen.

6. Betätigen Sie die Spindelarreterierung 14 (bis sie einrastet) und ziehen Sie mit dem Innensechskantschlüssel die Spannschraube 13 fest.

- Der Pfeil auf dem Sägeblatt muss mit dem Drehrichtungspfeil  (Laufrichtung, am Gerät markiert) übereinstimmen.

Reinigung und Wartung



WARNUNG! VERLETZUNGSGEFAHR!
Bevor Sie Arbeiten am Gerät durchführen, ziehen Sie immer den Netzstecker aus der Steckdose.

- Reinigen Sie das Gerät nach Abschluss der Arbeit.
- Verwenden Sie zur Reinigung des Gehäuses ein Tuch und keinesfalls Benzin, Lösungsmittel oder Reiniger.

Entsorgung



Die Verpackung besteht aus umweltfreundlichen Materialien, die Sie über die örtlichen Recyclingstellen entsorgen können.



Werfen Sie Elektrowerkzeuge nicht in den Hausmüll!

Gemäß Europäischer Richtlinie 2012/19/EU müssen verbrauchte Elektrowerkzeuge getrennt gesammelt und einer umweltgerechten Wiederverwertung zugeführt werden.

Möglichkeiten zur Entsorgung des ausgedienten Gerätes erfahren Sie bei Ihrer Gemeinde- oder Stadtverwaltung.

Garantie

Sie erhalten auf dieses Gerät 3 Jahre Garantie ab Kaufdatum. Das Gerät wurde sorgfältig produziert und vor Anlieferung gewissenhaft geprüft. Bitte bewahren Sie den Kassenbon als Nachweis für den Kauf auf. Bitte setzen Sie sich im Garantiefall mit Ihrer Servicestelle telefonisch in Verbindung. Nur so kann eine kostenlose Einsendung Ihrer Ware gewährleistet werden.

Die Garantieleistung gilt nur für Material- oder Fabrikationsfehler, nicht aber für Transportschäden, Verschleißteile oder für Beschädigungen an zerbrechlichen Teilen, z. B. Schalter oder Akkus. Das Produkt ist lediglich für den privaten und nicht für den gewerblichen Gebrauch bestimmt. Bei missbräuchlicher und unsachgemäßer Behandlung, Gewaltanwendung und bei Eingriffen, die nicht von unserer autorisierten Service-Niederlassung vorgenommen wurden, erlischt die Garantie. Ihre gesetzlichen Rechte werden durch diese Garantie nicht eingeschränkt. Die Garantiezeit wird durch die Gewährleistung nicht verlängert. Dies gilt auch für ersetzte und reparierte Teile. Eventuell schon beim Kauf vorhandene Schäden und Mängel müssen sofort nach dem Auspacken gemeldet werden, spätestens aber zwei Tage nach Kaufdatum. Nach Ablauf der Garantiezeit anfallende Reparaturen sind kostenpflichtig.

Service

WARNUNG!

- ▶ Lassen Sie Ihre Geräte von der Servicestelle oder einer Elektrofachkraft und nur mit Original-Ersatzteilen reparieren. Damit wird sichergestellt, dass die Sicherheit des Gerätes erhalten bleibt.
- ▶ Lassen Sie den Austausch des Steckers oder der Netzleitung immer vom Hersteller des Gerätes oder seinem Kundendienst ausführen. Damit wird sichergestellt, dass die Sicherheit des Gerätes erhalten bleibt.

Service Deutschland

Tel.: 0800 5435 111 (Kostenfrei aus dem dt. Festnetz/Mobilfunknetz)
E-Mail: kompernass@lidl.de
IAN 273278

Service Österreich

Tel.: 0820 201 222 (0,15 EUR/Min.)
E-Mail: kompernass@lidl.at
IAN 273278

Service Schweiz

Tel.: 0842 665566 (0,08 CHF/Min., Mobilfunk max. 0,40 CHF/Min.)
E-Mail: kompernass@lidl.ch
IAN 273278

Erreichbarkeit Hotline: Montag bis Freitag von 8:00 Uhr – 20:00 Uhr (MEZ)

Importeur

KOMPERNASS HANDELS GMBH
BURGSTRASSE 21
44867 BOCHUM
GERMANY
www.kompernass.com

Original- Konformitätserklärung

Wir, KOMPERNASS HANDELS GMBH, Dokumentenverantwortlicher: Herr Semi Uguzlu, BURGSTR. 21, 44867 BOCHUM, DEUTSCHLAND, erklären hiermit, dass dieses Produkt mit den folgenden Normen, normativen Dokumenten und EG-Richtlinien übereinstimmt:

**Maschinenrichtlinie
(2006 / 42 / EC)**

**Elektromagnetische Verträglichkeit
(2004 / 108 / EC)**

**RoHS Richtlinie
(2011 / 65 / EU)**

Angewandte harmonisierte Normen:

EN 60745-1 / A11: 2010

EN 60745-2-5: 2010

EN 60745-2-22 / A11: 2013

EN 55014-1 / A2: 2011

EN 55014-2 / A2: 2008

EN 61000-3-2 / A2: 2009

EN 61000-3-3: 2013

Typ / Gerätebezeichnung:

Tauchsäge PTS 500 A1

Herstellungsjahr: 08-2015

Seriennummer: IAN 273278

Bochum, 24.08.2015



Semi Uguzlu

- Qualitätsmanager -

Technische Änderungen im Sinne der Weiterentwicklung sind vorbehalten.

KOMPERNASS HANDELS GMBH

BURGSTRASSE 21

44867 BOCHUM

DEUTSCHLAND / GERMANY

www.kompernass.com

Last Information Update · Έκδοση των πληροφοριών

Stand der Informationen: 08 / 2015 · Ident.-No.: PTS500A1-082015-2

IAN 273278