



www.lidl-service.com



3-IN-1 MULTI-PURPOSE SANDER PMFS 200 A1

GB IE CY

3-IN-1 MULTI-PURPOSE SANDER

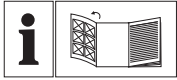
Translation of the original instructions

DE AT CH

3-IN-1-MULTIFUNKTIONSSCHLEIFER

Originalbetriebsanleitung

IAN 115767



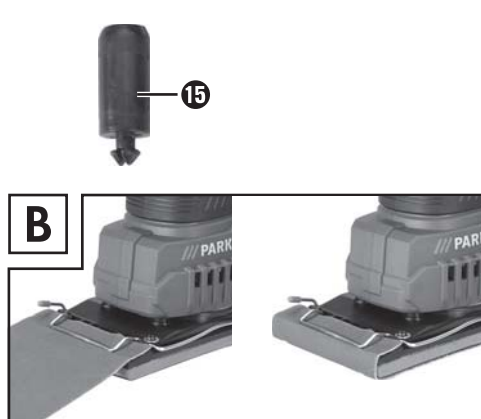
GB IE CY

Before reading, unfold the page containing the illustrations and familiarise yourself with all functions of the device.

DE AT CH

Klappen Sie vor dem Lesen die Seite mit den Abbildungen aus und machen Sie sich anschließend mit allen Funktionen des Gerätes vertraut.

GB/IE/CY	Translation of the original instructions	Page	1
DE/AT/CH	Originalbetriebsanleitung	Seite	11



Contents

Introduction	2
Intended use	2
Features	2
Package contents	2
Technical data	2
General power tool safety warnings	3
1. Work area safety	3
2. Electrical safety	3
3. Personal safety	4
4. Power tool use and care	4
5. Service	5
Appliance-specific safety instructions	5
Before use	6
Fitting/changing the sanding plate	6
Select sanding sheet	6
Fitting the sanding sheet	6
Dust extraction	7
Dust collection box	7
Reducer	7
Operation	7
Switching on and off	7
Setting the oscillating speed	8
Working procedures	8
Maintenance and cleaning	8
Warranty	8
Service	8
Importer	9
Disposal	9
Translation of the original Conformity Declaration	9

3-IN-1 MULTI-PURPOSE SANDER PMFS 200 A1

Introduction



Congratulations on the purchase of your new appliance. You have selected a high-quality product. The operating instructions are part of this product. They contain important information on safety, usage and disposal. Before using the product, familiarise yourself with all handling and safety guidelines. Use the product only as described and for the range of applications specified. Please also pass these operating instructions on to any future owner.

Intended use

Depending on the sandpaper being used, this appliance is suitable for the dry sanding of wood, plastic, metal, filler and also painted surfaces. The appliance is particularly suitable for corners, edges and hard-to-reach areas. Any other usage of or modification to the appliance is deemed to be improper and carries a significant risk of accidents. The manufacturer accepts no responsibility for damage(s) resulting from improper usage. This appliance is not intended for commercial use.

Features

- 1 ON/OFF switch
- 2 Adaptor fitting
- 3 Reducer for external extraction appliance
- 4 Power cord
- 5 Tab (dust box)
- 6 Dust collection box
- 7 Release button for dust box
- 8 Clamping lever
- 9 Orbital sander plate
- 10 Clamping rails
- 11 Triangular sander plate
- 12 Screws (8x)
- 13 Random orbital sander plate
- 14 Speed selector
- 15 Rubber pin (8x)

Package contents

- 1 3-in-1 multi-purpose sander PMFS 200 A1
- 1 Random orbital sander plate with Velcro fastener
- 1 Orbital sander plate with Velcro fastener
- 1 Triangular sander plate with Velcro fastener
- 2 Random orbital sander sheets (grain size 80/240)
- 2 Orbital sander sheets (grain size 80/240)
- 2 Triangular sander sheets (grain size 80/240)
- 1 Dust box
- 1 Reducer for external extraction appliance
- 8 Rubber pins (4x pre-installed)
- 8 Screws (4x pre-installed)
- 1 Operating instructions

Technical data

Nominal power input:	200 W
Rated voltage:	230V ~ 50Hz
Nominal speed:	n_o 7000-12000 rpm
Nominal oscillation speed:	n_o 14000-24000 rpm
Protection class:	II/□

Noise and vibration data:

Noise measurement value determined in accordance with EN 60745. The A-rated noise level of the power tool is typically as follows:

Sound pressure level L_{PA} :	76 dB(A)
Sound power level L_{WA} :	87 dB(A)
Uncertainty K:	3 dB(A)



Wear hearing protection!

Weighted acceleration, typically:

Hand/arm vibration $a_h = 11.5 \text{ m/s}^2$
 Uncertainty K = 1.5 m/s^2

NOTE

- The vibration level specified in these instructions has been measured in accordance with the standardised measuring procedure specified in EN 60745 and can be used to make equipment comparisons. The specified vibration emission value can also be used to make an initial exposure estimate.

⚠ WARNING!

- ▶ The vibration level varies in accordance with the use of the power tool and may be higher than the value specified in these instructions in some cases. There is a risk of underestimation of the vibration load if the power tool is used regularly in this manner. Try to keep the vibration load as low as possible. Measures to reduce the vibration load are, e.g. wearing gloves and limiting the working time. Wherein all states of operation must be included (e.g. times when the power tool is switched off and times where the power tool is switched on but running without load).



General power tool safety warnings

⚠ WARNING!

- ▶ **Read all safety warnings and all instructions.** Failure to follow the warnings and instructions may result in electric shock, fire and/or serious injury.

Save all warnings and instructions for future reference.

The term "power tool" in the warnings refers to your mains-operated (corded) power tool or battery-operated (cordless) power tool.

1. Work area safety

- a) **Keep work area clean and well lit.** Cluttered or dark areas invite accidents.
- b) **Do not operate power tools in explosive atmospheres, such as in the presence of flammable liquids, gases or dust.** Power tools create sparks which may ignite the dust or fumes.
- c) **Keep children and bystanders away while operating a power tool.** Distractions can cause you to lose control.

2. Electrical safety

- a) **Power tool plugs must match the outlet. Never modify the plug in any way. Do not use any adapter plugs with earthed (grounded) power tools.** Unmodified plugs and matching outlets will reduce risk of electric shock.
- b) **Avoid body contact with earthed or grounded surfaces, such as pipes, radiators, ranges and refrigerators.** There is an increased risk of electric shock if your body is earthed or grounded.
- c) **Do not expose power tools to rain or wet conditions.** Water entering a power tool will increase the risk of electric shock.
- d) **Do not abuse the cord. Never use the cord for carrying, pulling or unplugging the power tool. Keep cord away from heat, oil, sharp edges or moving parts.** Damaged or entangled cords increase the risk of electric shock.
- e) **When operating a power tool outdoors, use an extension cord suitable for outdoor use.** Use of a cord suitable for outdoor use reduces the risk of electric shock.
- f) **If operating a power tool in a damp location is unavoidable, use a residual current device (RCD) protected supply.** Use of an RCD reduces the risk of electric shock.

3. Personal safety

- a) **Stay alert, watch what you are doing and use common sense when operating a power tool. Do not use a power tool while you are tired or under the influence of drugs, alcohol or medication.** A moment of inattention while operating power tools may result in serious personal injury.
- b) **Use personal protective equipment.** Always wear eye protection. Protective equipment such as dust mask, non-skid safety shoes, hard hat, or hearing protection used for appropriate conditions will reduce personal injuries.
- c) **Prevent unintentional starting. Ensure the switch is in the off-position before connecting to power source and/or battery pack, picking up or carrying the tool.** Carrying power tools with your finger on the switch or energising power tools that have the switch on invites accidents.
- d) **Remove any adjusting key or wrench before turning the power tool on.** A wrench or a key left attached to a rotating part of the power tool may result in personal injury.
- e) **Do not overreach. Keep proper footing and balance at all times.** This enables better control of the power tool in unexpected situations.
- f) **Dress properly. Do not wear loose clothing or jewellery. Keep your hair, clothing and gloves away from moving parts.** Loose clothes, jewellery or long hair can be caught in moving parts.
- g) **If devices are provided for the connection of dust extraction and collection facilities, ensure these are connected and properly used.** Use of dust collection can reduce dust-related hazards.

4. Power tool use and care

- a) **Do not force the power tool. Use the correct power tool for your application.** The correct power tool will do the job better and safer at the rate for which it was designed.
- b) **Do not use the power tool if the switch does not turn it on and off.** Any power tool that cannot be controlled with the switch is dangerous and must be repaired.
- c) **Disconnect the plug from the power source and/or the battery pack from the power tool before making any adjustments, changing accessories, or storing power tools.** Such preventive safety measures reduce the risk of starting the power tool accidentally.
- d) **Store idle power tools out of the reach of children and do not allow persons unfamiliar with the power tool or these instructions to operate the power tool.** Power tools are dangerous in the hands of untrained users.
- e) **Maintain power tools. Check for misalignment or binding of moving parts, breakage of parts and any other condition that may affect the power tool's operation. If damaged, have the power tool repaired before use.** Many accidents are caused by poorly maintained power tools.
- f) **Keep cutting tools sharp and clean.** Properly maintained cutting tools with sharp cutting edges are less likely to bind and are easier to control.
- g) **Use the power tool, accessories and tool bits etc. in accordance with these instructions, taking into account the working conditions and the work to be performed.** Use of the power tool for operations different from those intended could result in a hazardous situation.

5. Service

- a) Have your power tool serviced by a qualified repair person using only identical replacement parts. This will ensure that the safety of the power tool is maintained.
- b) Always arrange for the plug or the power cord to be replaced by the manufacturer of the appliance or by its approved customer services. This will ensure that the safety of the power tool is maintained.

Appliance-specific safety instructions

- Secure the workpiece. A workpiece securely held by a clamping device or vice is much safer than one held in your hand.
- Do not rest your hands next to or in front of the appliance and the area being worked as there is a risk of injury if you slip.
- In case of danger, remove the plug from the socket immediately.
- Always route the power cord towards the rear, away from the appliance.
- **RISK OF FIRE DUE TO FLYING SPARKS!**
If you sand metal, sparks will be produced. Ensure that nobody can be put at risk and that no combustible materials are located in the immediate vicinity of where you are working.

⚠ WARNING! TOXIC VAPOURS!

- ▶ Working with the tool can produce harmful/toxic dusts that represent a health hazard for the person operating the appliance and for any other people in the area.

⚠ WARNING! DANGER FROM DUST!

- ▶ When working for extended periods of time on wood and, in particular, materials that produce dust that is hazardous to health, connect the appliance to an appropriate external dust extraction appliance. **Wear safety goggles and a protective dust mask!**
- Provide sufficient ventilation when working on plastics, paints, lacquers, etc.
- Do not soak the materials or the area to be processed with liquids containing solvents.
- Never work on moistened materials or damp surfaces.
- Avoid sanding lead paint or other harmful materials.
- Materials containing asbestos may NOT be processed. Asbestos is a known carcinogen.
- Avoid contact with the sanding sheet while the appliance is running!
- Do not use the appliance without a sanding sheet fitted.
- Never use the appliance for other purposes and only original parts/accessories. Using attachments or accessory tools other than those recommended in the operating instructions can lead to a risk of injury.
- Always allow the appliance to come to a complete standstill before putting it down.
- The appliance must always be kept clean, dry and free from oil or grease.

Before use

Fitting/changing the sanding plate

⚠ WARNING!

- ▶ Always remove the plug from the mains power socket before carrying out any work on the appliance.
- ◆ Use the appropriate sanding plate **9** **11** **13** for the corresponding application.
- ◆ Remove the four screws **12**.
- ◆ Remove the pre-fitted sanding plate.

NOTE

The orbital sander plate **9** can only be fitted to the appliance in one direction. Please pay attention to the arrow marks on the orbital sander plate **9** when doing this. These must point forwards. With the triangular sander plate **11** the tip points forwards.

- ◆ Now fit the required sander plate. Ensure that the mounting plate **B** is aligned with the sander plate. The threaded holes of the mounting plate **B** must be aligned with the markings on the appliance (see Fig. A). The rubber pins **A** **15** (only on sander plates **9** and **11**) to the holes in the appliance (see Fig. B).

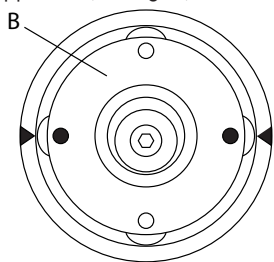


Figure A

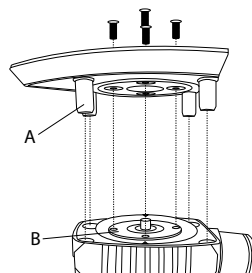


Figure B

- ◆ Replace the four screws **12**.
- ◆ Check that the sander plate is fitted securely.

Select sanding sheet

Removal and surface:

The material removal rate and surface quality are determined by the grain strength of the sandpaper.

- ◆ Please note that you need to use sandpapers with different grains for working the different materials.

Fitting the sanding sheet

⚠ WARNING!

- ▶ Always remove the plug from the mains power socket before carrying out any work on the appliance.

NOTE

- ▶ Before fitting a new sanding sheet, remove any dust and dirt from the sanding plate **9** **11** **13**.

Attaching sanding sheets using Velcro:

- ◆ You can attach the sanding sheet to the sander plate **9** **11** **13** using Velcro.
- ◆ Ensure that the extraction holes on the sanding sheet match up with those on the sander plate.

Removing sanding sheets fitted using Velcro:

- ◆ Simply pull the sanding sheet off the sander plate **9** **11** **13** (see Fig. A on fold page).

Attaching sanding sheets without using Velcro (see Fig. B on fold page not included in scope of delivery):

- ◆ Open the two clamping levers **8**.
- ◆ Push the sanding sheet under the open clamping rail **10** at one end and clamp it firmly in place with the clamping lever.
- ◆ Follow the same procedure at the other end.

Dust extraction

⚠ WARNING! RISK OF FIRE!

- ▶ When working with power tools that have a dust collection box or can be connected to a vacuum cleaner via the vacuum cleaner adapter, there is a risk of fire! In unfavourable conditions, e.g. when sparks are flying while sanding metal or metal residues in wood, wood dust in the dust bag (or in the bag of the vacuum cleaner) can spontaneously ignite. This is a particular risk if the wood dust is mixed with paint residues or other chemicals and the workpiece has become hot after being worked for a long time. Therefore, do not allow the workpiece to overheat and always empty the dust box or the dust bag of the vacuum cleaner before taking a break from work.

Wear a dust mask.

NOTE

- ▶ Perforated sanding sheets are required for dust extraction.

Dust collection box

Connecting:

- ◆ Push the dust collection box **6** onto the multi-sander as far as the stop.

Removal:

- ◆ Press the release button **7** of the dust collection box **6** and pull it off backwards.

NOTE

- ▶ To achieve optimum dust extraction, the dust collection box **6** should be emptied regularly.

- ◆ To do this, remove the dust collection box **6** from the appliance as described above. Open the dust box by pulling on the tab **5** and then remove the lid. Clean both parts thoroughly by tapping.

Reducer

Connecting:

- ◆ Push the reducer **3** into the adapter fitting **2**.
- ◆ Push the hose of a suitable of vacuum cleaning appliance (e.g. a workshop vacuum cleaner) onto the reducer **3**.

Removal:

- ◆ Pull the hose of the vacuum cleaner off the reducer **3**.
- ◆ Remove the reducer **3**.

Operation

⚠ CAUTION!

- ▶ Ensure that the appliance is switched off before connecting it to the mains.

NOTE

- ▶ Always switch the multi-sander on before making contact with the material, then apply it to the workpiece.

Switching on and off

Switching the appliance on:

- ◆ Move the ON/OFF switch **1** to the "I" position.

Switching the appliance off:

- ◆ Move the ON/OFF switch **1** to the "0" position.

Setting the oscillating speed

You can set the desired oscillating speed using the speed selector **14** as required. The required speed depends on the material being processed and can be determined through practical tests.

Working procedures

- Switch the appliance on before applying it to the workpiece.
- Apply minimal pressure when working.
- Work at a constant speed.
- Change the sanding sheets regularly.
- Never sand different materials (such as wood and then metal) using the same sanding sheet. Optimum sanding results can only be achieved by using clean sanding sheets.
- Clean the sanding sheet every once in a while using a vacuum cleaner.
- Sand hard-to-reach places with the front or side edge of the sanding sheet on the sanding plate.
- Run the sander in parallel and overlapping sanding motions over the workpiece.
- After completing the task, lift the appliance from the workpiece and then switch it off.

Maintenance and cleaning

⚠ WARNING!

- ▶ Always remove the plug from the mains power socket before carrying out any work on the appliance.

The multi-sander is maintenance-free.

- Always clean the appliance immediately after completion of work.
- Use a dry cloth to clean the housing.
- Remove any adhering swarf with a brush.
- Never use sharp objects, petrol, solvents or cleaning agents that can damage plastic. Do not allow any liquids to get into the interior of the appliance.
- Keep the ventilation openings free of obstructions at all times.

Warranty

This appliance is provided with a 3-year warranty valid from the date of purchase. The appliance has been manufactured with care and inspected meticulously prior to delivery. Please retain your receipt as proof of purchase. In the event of a warranty claim, please contact your Customer Service unit by telephone. This is the only way to guarantee free return of your goods.

The warranty only covers claims for material and manufacturing defects, not for damage sustained during carriage, components subject to wear and tear or damage to fragile components such as switches or batteries. This appliance is intended solely for private use and not for commercial purposes.

The warranty shall be deemed void in cases of misuse or improper handling, use of force and modifications/repairs which have not been carried out by one of our authorised Service centres. Your statutory rights are not restricted by this warranty.

The warranty period is not prolonged by repairs effected under the warranty. This also applies to replaced and repaired components. Any damage and defects present at the time of purchase must be reported immediately after unpacking, but no later than two days after the date of purchase. Repairs carried out after expiry of the warranty period shall be subject to charge.

Service

GB Service Great Britain

Tel.: 0871 5000 720 (£ 0.10/Min.)

E-Mail: kompernass@lidl.co.uk

IAN 115767

IE Service Ireland

Tel.: 1890 930 034

(0,08 EUR/Min., (peak))

(0,06 EUR/Min., (off peak))

E-Mail: kompernass@lidl.ie

IAN 115767

CY Service Cyprus

Tel.: 8009 4409

E-Mail: kompernass@lidl.com.cy

IAN 115767

Hotline availability: Monday to Friday from 8:00 a.m. to 8:00 p.m. (CET)

Importer

KOMPERNASS HANDELS GMBH
BURGSTRASSE 21
44867 BOCHUM
GERMANY
www.kompernass.com

Disposal



The packaging is made from environmentally friendly material and can be disposed of at your local recycling plant.



Do not dispose of power tools in your normal household waste!

In accordance with European Directive 2012/19/EU on Waste Electrical and Electronic Equipment and its implementation into national law, used power tools must be collected separately and recycled in an environmentally friendly manner.

Your local community or municipal authorities can provide information on how to dispose of the worn-out appliance.

Translation of the original Conformity Declaration

We, KOMPERNASS HANDELS GMBH, documents officer: Mr. Semi Uguzlu, BURGSTR. 21, 44867 BOCHUM, GERMANY, hereby declare that this product complies with the following standards, normative documents and EC directives:

**Machine Directive
(2006/42/EC)**

**Electromagnetic compatibility
(2004/108/EC)**

**RoHs Directive
(2011/65/EU)**

Applied harmonised standards:

EN 60745-1: 2009 / A11: 2010
EN 60745-2-4: 2009 / A11: 2011
EN 62233: 2008
EN 55014-1: 2006 / A2: 2011
EN 55014-2: 1997 / A2: 2008
EN 61000-3-2: 2014
EN 61000-3-3: 2013

Type/appliance designation:

3-in-1 multi-purpose sander PMFS 200 A1

Year of manufacture: 07-2015

Serial number: IAN 115767

Bochum, 08/04/2015

Semi Uguzlu
- Quality Manager -



The right to effect technical changes in the context of further development is reserved.

Inhaltsverzeichnis

Einleitung	12
Bestimmungsgemäßer Gebrauch	12
Ausstattung	12
Lieferumfang	12
Technische Daten	12
Allgemeine Sicherheitshinweise für Elektrowerkzeuge	13
1. Arbeitsplatz-Sicherheit	13
2. Elektrische Sicherheit	13
3. Sicherheit von Personen	13
4. Verwendung und Behandlung des Elektrowerkzeugs	14
5. Service	15
Gerätespezifische Sicherheitshinweise	15
Vor der Inbetriebnahme	16
Schleifplatte montieren/wechseln	16
Schleifblatt wählen	16
Schleifblatt befestigen	16
Staubabsaugung	17
Staubbox zur Eigenabsaugung	17
Reduzierstück	17
Inbetriebnahme	17
Ein- und ausschalten	17
Schwingzahl einstellen	18
Arbeitshinweise	18
Wartung und Reinigung	18
Garantie	18
Service	18
Importeur	19
Entsorgung	19
Original-Konformitätserklärung	19

DE
AT
CH

3-IN-1-MULTIFUNKTIONS- SCHLEIFER PMFS 200 A1

Einleitung



Wir beglückwünschen Sie zum Kauf Ihres neuen Gerätes. Sie haben sich damit für ein hochwertiges Produkt entschieden. Die Bedienungsanleitung ist Teil dieses Produkts. Sie enthält wichtige Hinweise für Sicherheit, Gebrauch und Entsorgung. Machen Sie sich vor der Benutzung des Produkts mit allen Bedien- und Sicherheitshinweisen vertraut. Benutzen Sie das Produkt nur wie beschrieben und für die angegebenen Einsatzbereiche. Händigen Sie alle Unterlagen bei Weitergabe des Produkts an Dritte mit aus.

Bestimmungsgemäßer Gebrauch

Das Gerät ist – je nach Schleifpapier – zum trockenen Schleifen von Holz, Kunststoff, Metall, Spachtelmasse sowie lackierten Oberflächen bestimmt. Das Gerät ist besonders geeignet für Ecken, Profile oder schwer zugängliche Stellen. Jede andere Verwendung oder Veränderung des Gerätes gilt als nicht bestimmungsgemäß und birgt erhebliche Unfallgefahren. Für aus bestimmungswidriger Verwendung entstandene Schäden übernehmen wir keine Haftung. Nicht für den gewerblichen Gebrauch bestimmt.

Ausstattung

- 1 EIN- / AUS-Schalter
- 2 Adapteranschluss
- 3 Reduzierstück zur Fremdabsaugung
- 4 Netzleitung
- 5 Lasche (Staubbox)
- 6 Staubbox zur Eigenabsaugung
- 7 Entriegelungstaste Staubbox
- 8 Spannhebel
- 9 Schwingschleifplatte
- 10 Klemmleisten
- 11 Dreieckschleifplatte
- 12 Schraube (8x)
- 13 Exzentrerschleifplatte
- 14 Schwingzahlvorwahl
- 15 Gummistift (8x)

Lieferumfang

- 1 3in1 Multifunktionsschleifer PMFS 200 A1
- 1 Exzentrerschleifplatte mit Kletthaftung
- 1 Schwingschleifplatte mit Kletthaftung
- 1 Dreieckschleifplatte mit Kletthaftung
- 2 Exzentrerschleifblätter (Körnung 80/240)
- 2 Schwingschleifblätter (Körnung 80/240)
- 2 Dreieckschleifblätter (Körnung 80/240)
- 1 Staubbox
- 1 Reduzierstück zur Fremdabsaugung
- 8 Gummistifte (4x vormontiert)
- 8 Schrauben (4x vormontiert)
- 1 Bedienungsanleitung

Technische Daten

Nennaufnahme:	200 W
Nennspannung:	230 V ~ 50 Hz
Nennzahl:	n_0 7000 - 12000 min ⁻¹
Nennschwingzahl:	n_0 14000 - 24000 min ⁻¹
Schutzklasse:	II/Ⓜ

Geräusch- und Vibrationsinformationen:

Messwert für Geräusch ermittelt entsprechend EN 60745. Der A-bewertete Geräuschpegel des Elektrowerkzeugs beträgt typischerweise:

Schalldruckpegel L_{PA} :	76 dB(A)
Schallleistungspegel L_{WA} :	87 dB(A)
Unsicherheit K:	3 dB(A)



Gehörschutz tragen!

Bewertete Beschleunigung, typischerweise:

Hand- / Armvibration $a_h = 11,5 \text{ m/s}^2$
 Unsicherheit K = $1,5 \text{ m/s}^2$

HINWEIS

- Der in diesen Anweisungen angegebene Schwingungspegel ist entsprechend einem in EN 60745 genormten Messverfahren gemessen worden und kann für den Gerätevergleich verwendet werden. Der angegebene Schwingungsemissionswert kann auch zu einer einleitenden Einschätzung der Aussetzung verwendet werden.

⚠️ WARNUNG!

- ▶ Der Schwingungspegel wird sich entsprechend dem Einsatz des Elektrowerkzeugs verändern und kann in manchen Fällen über dem in diesen Anweisungen angegebenen Wert liegen. Die Schwingungsbelastung könnte unterschätzt werden, wenn das Elektrowerkzeug regelmäßig in solcher Weise verwendet wird. Versuchen Sie, die Belastung durch Vibrationen so gering wie möglich zu halten. Beispielhafte Maßnahmen zur Verringerung der Vibrationsbelastung sind das Tragen von Handschuhen beim Gebrauch des Werkzeugs und die Begrenzung der Arbeitszeit. Dabei sind alle Anteile des Betriebszyklus zu berücksichtigen (beispielsweise Zeiten, in denen das Elektrowerkzeug abgeschaltet ist, und solche, in denen es zwar eingeschaltet ist, aber ohne Belastung läuft).



Allgemeine Sicherheitshinweise für Elektrowerkzeuge

⚠️ WARNUNG!

- ▶ **Lesen Sie alle Sicherheitshinweise und Anweisungen.** Versäumnisse bei der Einhaltung der Sicherheitshinweise und Anweisungen können elektrischen Schlag, Brand und/oder schwere Verletzungen verursachen.

Bewahren Sie alle Sicherheitshinweise und Anweisungen für die Zukunft auf.

Der in den Sicherheitshinweisen verwendete Begriff „Elektrowerkzeug“ bezieht sich auf netzbetriebene Elektrowerkzeuge (mit Netzkabel) und auf akkubetriebene Elektrowerkzeuge (ohne Netzkabel).

1. Arbeitsplatz-Sicherheit

- a) Halten Sie Ihren Arbeitsbereich sauber und gut beleuchtet. Unordnung und unbeleuchtete Arbeitsbereiche können zu Unfällen führen.
- b) Arbeiten Sie mit dem Elektrowerkzeug nicht in explosionsgefährdeter Umgebung, in der sich brennbare Flüssigkeiten, Gase oder Stäube befinden. Elektrowerkzeuge erzeugen Funken, die den Staub oder die Dämpfe entzünden können.
- c) Halten Sie Kinder und andere Personen während der Benutzung des Elektrowerkzeugs fern. Bei Ablenkung können Sie die Kontrolle über das Gerät verlieren.

2. Elektrische Sicherheit

- a) Der Anschlussstecker des Elektrowerkzeuges (bzw. Netzteils) muss in die Steckdose passen. Der Stecker darf in keiner Weise verändert werden. Verwenden Sie keine Adapterstecker gemeinsam mit schutzgeerdeten Elektrowerkzeugen. Unveränderte Stecker und passende Steckdosen verringern das Risiko eines elektrischen Schlages.
- b) Vermeiden Sie Körperkontakt mit geerdeten Oberflächen, wie von Rohren, Heizungen, Herden und Kühlschränken. Es besteht ein erhöhtes Risiko durch elektrischen Schlag, wenn Ihr Körper geerdet ist.
- c) Halten Sie Elektrowerkzeuge von Regen oder Nässe fern. Das Eindringen von Wasser in ein Elektrogerät erhöht das Risiko eines elektrischen Schlages.
- d) Zweckentfremden Sie das Kabel nicht, um das Elektrowerkzeug zu tragen, aufzuhängen oder um den Stecker aus der Steckdose zu ziehen. Halten Sie das Kabel fern von Hitze, Öl, scharfen Kanten oder sich bewegenden Geräteteilen. Beschädigte oder verwickelte Kabel erhöhen das Risiko eines elektrischen Schlages.
- e) Wenn Sie mit einem Elektrowerkzeug im Freien arbeiten, verwenden Sie nur Verlängerungskabel, die auch für den Außenbereich zugelassen sind. Die Anwendung eines für den Außenbereich geeigneten Verlängerungskabels verringert das Risiko eines elektrischen Schlages.
- f) Wenn der Betrieb des Elektrowerkzeuges in feuchter Umgebung nicht vermeidbar ist, verwenden Sie einen Fehlerstromschutzschalter. Der Einsatz eines Fehlerstromschutzschalters vermindert das Risiko eines elektrischen Schlages.

3. Sicherheit von Personen

- a) Seien Sie stets aufmerksam, achten Sie darauf, was Sie tun und gehen Sie mit Vernunft an die Arbeit mit einem Elektrowerkzeug. Benutzen Sie kein Elektrowerkzeug, wenn Sie müde sind oder unter dem Einfluss von Drogen, Alkohol oder Medikamenten stehen. Ein Moment der Unachtsamkeit beim Gebrauch des Elektrowerkzeuges kann zu ernsthaften Verletzungen führen.

- b) Tragen Sie persönliche Schutzausrüstung und immer eine Schutzbrille. Das Tragen persönlicher Schutzausrüstung wie Staubmaske, rutschfeste Sicherheitsschuhe, Schutzhelm oder Gehörschutz, je nach Art und Einsatz des Elektrowerkzeuges, verringert das Risiko von Verletzungen.
- c) **Vermeiden Sie eine unbeabsichtigte Inbetriebnahme. Vergewissern Sie sich, dass das Elektrowerkzeug ausgeschaltet ist, bevor Sie es an die Stromversorgung und / oder den Akku anschließen, es aufnehmen oder tragen.** Wenn Sie beim Tragen des Elektrowerkzeuges den Finger am Schalter haben oder das Gerät bereits eingeschaltet an die Stromversorgung anschließen, kann dies zu Unfällen führen.
- d) **Entfernen Sie Einstellwerkzeuge oder Schraubenschlüssel, bevor Sie das Elektrowerkzeug einschalten.** Ein Werkzeug oder Schlüssel, der sich in einem drehenden Geräteteil befindet, kann zu Verletzungen führen.
- e) **Vermeiden Sie eine abnormale Körperhaltung. Sorgen Sie für einen sicheren Stand und halten Sie jederzeit das Gleichgewicht.** Dadurch können Sie das Elektrowerkzeug in unerwarteten Situationen besser kontrollieren.
- f) **Tragen Sie geeignete Kleidung. Tragen Sie keine weite Kleidung oder Schmuck. Halten Sie Haare, Kleidung und Handschuhe fern von sich bewegenden Teilen.** Lockere Kleidung, Schmuck oder lange Haare können von sich bewegenden Teilen erfasst werden.
- g) **Wenn Staubabsaug- und -auffangeinrichtungen montiert werden können, vergewissern Sie sich, dass diese angeschlossen sind und richtig verwendet werden.** Die Verwendung einer Staubabsaugung kann Gefährdungen durch Staub verringern.

4. Verwendung und Behandlung des Elektrowerkzeugs

- a) **Überlasten Sie das Gerät nicht. Verwenden Sie für Ihre Arbeit das dafür bestimmte Elektrowerkzeug.** Mit dem passenden Elektrowerkzeug arbeiten Sie besser und sicherer im angegebenen Leistungsbereich.
- b) **Benutzen Sie kein Elektrowerkzeug, dessen Schalter defekt ist.** Ein Elektrowerkzeug, das sich nicht mehr ein- oder ausschalten lässt, ist gefährlich und muss repariert werden.
- c) **Ziehen Sie den Stecker aus der Steckdose und / oder entfernen Sie den Akku, bevor Sie Geräteeinstellungen vornehmen, Zubehörteile wechseln oder das Gerät weglegen.** Diese Vorsichtsmaßnahme verhindert den unbeabsichtigten Start des Elektrowerkzeuges.
- d) **Bewahren Sie unbenutzte Elektrowerkzeuge außerhalb der Reichweite von Kindern auf. Lassen Sie Personen das Gerät nicht benutzen, die mit diesem nicht vertraut sind oder diese Anweisungen nicht gelesen haben.** Elektrowerkzeuge sind gefährlich, wenn sie von unerfahrenen Personen benutzt werden.
- e) **Pflegen Sie Elektrowerkzeuge mit Sorgfalt. Kontrollieren Sie, ob bewegliche Teile einwandfrei funktionieren und nicht klemmen, ob Teile gebrochen oder so beschädigt sind, dass die Funktion des Elektrowerkzeuges beeinträchtigt ist. Lassen Sie beschädigte Teile vor dem Einsatz des Gerätes reparieren.** Viele Unfälle haben ihre Ursache in schlecht gewarteten Elektrowerkzeugen.
- f) **Halten Sie Schneidwerkzeuge scharf und sauber.** Sorgfältig gepflegte Schneidwerkzeuge mit scharfen Schneidkanten verklemmen sich weniger und sind leichter zu führen.
- g) **Verwenden Sie Elektrowerkzeug, Zubehör, Einsatzwerkzeuge usw. entsprechend diesen Anweisungen. Berücksichtigen Sie dabei die Arbeitsbedingungen und die auszuführende Tätigkeit.** Der Gebrauch von Elektrowerkzeugen für andere als die vorgesehenen Anwendungen kann zu gefährlichen Situationen führen.

5. Service

- a) Lassen Sie Ihr Elektrowerkzeug nur von qualifiziertem Fachpersonal und nur mit Original-Ersatzteilen reparieren. Damit wird sichergestellt, dass die Sicherheit des Elektrowerkzeugs erhalten bleibt.
- b) Lassen Sie den Austausch des Steckers oder der Anschlussleitung immer vom Hersteller des Elektrowerkzeugs oder seinem Kundendienst ausführen. Damit wird sichergestellt, dass die Sicherheit des Elektrowerkzeugs erhalten bleibt.

Gerätespezifische Sicherheitshinweise

- Sichern Sie das Werkstück. Ein mit Spannvorrichtungen oder Schraubstock festgehaltenes Werkstück ist sicherer gehalten als mit Ihrer Hand.
- Stützen Sie auf keinen Fall die Hände neben oder vor dem Gerät und der zu bearbeitenden Fläche ab, da bei einem Abrutschen Verletzungsgefahr besteht.
- Ziehen Sie bei Gefahr sofort den Netzstecker aus der Steckdose.
- Führen Sie das Netzkabel immer nach hinten vom Gerät weg.
- **BRANDGEFAHR DURCH FUNKENFLUG !**
Wenn Sie Metalle schleifen, entsteht Funkenflug. Achten Sie deshalb unbedingt darauf, dass keine Personen gefährdet werden und sich keine brennbaren Materialien in der Nähe des Arbeitsbereiches befinden.

⚠️ WARNUNG! GIFTIGE DÄMPFE!

- ▶ Die durch die Bearbeitung entstehenden schädlichen / giftigen Stäube stellen eine Gesundheitsgefährdung für die Bedienperson oder in der Nähe befindliche Personen dar.

⚠️ WARNUNG! GEFÄHRDUNG DURCH STAUB!

- ▶ Schließen Sie bei längerem Bearbeiten von Holz und insbesondere wenn Materialien bearbeitet werden, bei denen gesundheitsgefährdende Stäube entstehen, das Gerät an eine geeignete externe Staubabsaugvorrichtung an. Tragen Sie Schutzbrille und Staubschutzmaske!
- Sorgen Sie bei der Bearbeitung von Kunststoffen, Farben, Lacken, etc. für ausreichende Belüftung.
- Tränken Sie Materialien oder zu bearbeitende Flächen nicht mit lösungsmittelhaltigen Flüssigkeiten.
- Bearbeiten Sie keine angefeuchteten Materialien oder feuchte Flächen.
- Vermeiden Sie das Schleifen von bleihaltigen Farben oder anderen gesundheitsschädlichen Materialien.
- Asbesthaltiges Material darf nicht bearbeitet werden. Asbest gilt als krebserregend.
- Vermeiden Sie den Kontakt mit dem laufenden Schleifblatt.
- Verwenden Sie das Gerät nur mit angebrachtem Schleifblatt.
- Verwenden Sie das Gerät niemals zweckentfremdet und nur mit Originalteilen / -zubehör. Der Gebrauch anderer als in der Bedienungsanleitung empfohlener Teile oder anderen Zubehörs kann eine Verletzungsgefahr für Sie bedeuten.
- Lassen Sie das ausgeschaltete Gerät zum Stillstand kommen, bevor Sie es ablegen.
- Das Gerät muss stets sauber, trocken und frei von Öl oder Schmierfetten sein.

Vor der Inbetriebnahme

Schleifplatte montieren/wechseln

⚠️ WARNUNG!

- ▶ Bevor Sie Arbeiten am Gerät durchführen, ziehen Sie immer den Netzstecker aus der Steckdose.

- ◆ Wählen Sie die jeweilige Schleifplatte **9 11 13** zu der entsprechenden Anwendung aus.
- ◆ Entfernen Sie die vier Schrauben **12**.
- ◆ Entfernen Sie die vormontierte Schleifplatte.

HINWEIS

Die Schwingschleifplatte **9** kann nur in einer Richtung auf dem Gerät montiert werden. Achten Sie hierbei auf die Pfeilmarkierungen auf der Schwingschleifplatte **9**. Diese müssen nach vorne zeigen. Bei der Dreieckschleifplatte **11** zeigt die Spitze nach vorne.

- ◆ Montieren Sie jetzt die gewünschte Schleifplatte. Stellen Sie sicher, dass die Befestigungsplatte **B** zu der Schleifplatte ausgerichtet ist. Die Gewindeborehungen der Befestigungsplatte **B** müssen zu den Markierungen am Gerät ausgerichtet sein (siehe Abb. A). Die Gummistifte **A 15** (nur Schleifplatte **9** und **11**) zu den Löchern im Gerät (siehe Abb. B).

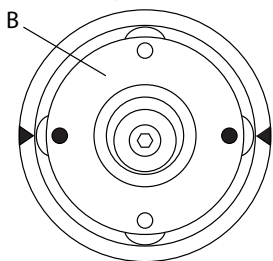


Abbildung A

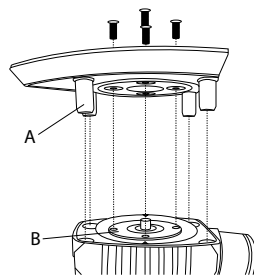


Abbildung B

- ◆ Schrauben Sie die vier Schrauben **12** wieder fest.
- ◆ Überprüfen Sie den festen Sitz der Schleifplatte.

Schleifblatt wählen

Abtrag und Oberfläche:

Die Abtragsleistung und die Oberflächengüte werden von der Kornstärke des Schleifblattes bestimmt.

- ◆ Beachten Sie bitte, dass Sie zur Bearbeitung der verschiedenen Materialien entsprechende Schleifblätter mit unterschiedlicher Körnung einsetzen.

Schleifblatt befestigen

⚠️ WARNUNG!

- ▶ Bevor Sie Arbeiten am Gerät durchführen, ziehen Sie immer den Netzstecker aus der Steckdose.

HINWEIS

- ▶ Entfernen Sie vor dem Befestigen eines neuen Schleifblattes Staub und Schmutz von der Schleifplatte **9 11 13**.

Schleifblätter mit Kletthaftung anbringen:

- ◆ Sie können das Schleifblatt mittels Klettverschluss an der Schleifplatte **9 11 13** anbringen.
- ◆ Achten Sie auf Übereinstimmung der Absauglöcher am Schleifblatt und Schleifplatte.

Schleifblätter mit Kletthaftung abziehen:

- ◆ Ziehen Sie das Schleifblatt einfach von der Schleifplatte **9 11 13** ab (siehe Abb. A auf der Ausklappseite).

**Schleifblätter ohne Kletthaftung anbringen
(siehe Abb. B auf der Ausklappseite nicht im
Lieferumfang enthalten):**

- ◆ Öffnen Sie die beiden Spannhebel **8**.
- ◆ Schieben Sie das Schleifblatt an einem Ende unter die offene Klemmleiste **10** und klemmen Sie es fest, indem Sie den Spannhebel wieder arretieren.
- ◆ Verfahren Sie mit dem anderen Ende auf die gleiche Weise.

Staubabsaugung

⚠️ WARNUNG! BRANDGEFAHR!

- ▶ Beim Arbeiten mit Elektrowerkzeugen, die über eine Staubfangbox verfügen oder durch eine Staubabsaugvorrichtung mit dem Staubsauger verbunden werden können, besteht Brandgefahr! Unter ungünstigen Bedingungen, wie z.B. bei Funkenflug, beim Schleifen von Metall oder Metallresten in Holz, kann sich Holzstaub im Staubsack (oder im Staubbeutel des Staubsaugers) selbst entzünden. Dies kann insbesondere dann geschehen, wenn der Holzstaub mit Lackresten oder anderen chemischen Stoffen vermischt ist und das Schleifgut nach langem Arbeiten heiß ist. Vermeiden Sie deshalb unbedingt eine Überhitzung des Schleifguts und des Gerätes und entleeren Sie vor Arbeitspausen stets die Staubfangbox bzw. den Staubbeutel des Staubsaugers.

Tragen Sie eine Staubschutzmaske!

HINWEIS

- ▶ Für die Staubabsaugung brauchen Sie gelochte Schleifblätter.

Staubbox zur Eigenabsaugung

Anschließen:

- ◆ Schieben Sie die Staubbox zur Eigenabsaugung **6** bis zum Anschlag auf den Multifunktions-
schleifer.

Entnehmen:

- ◆ Drücken Sie die Entriegelungstaste **7** der Staubbox zur Eigenabsaugung **6** und ziehen Sie sie nach hinten ab.

HINWEIS

- ▶ Um eine optimale Absaugleistung zu gewährleisten, die Staubbox zur Eigenabsaugung **6** rechtzeitig leeren.
- ◆ Entnehmen Sie dazu die Staubbox **6** wie zuvor beschrieben vom Gerät. Öffnen Sie die Staubbox durch Ziehen an der Lasche **5** und entnehmen Sie den Deckel. Reinigen Sie nun beide Teile gründlich durch Ausklopfen.

Reduzierstück

Anschließen:

- ◆ Schieben Sie das Reduzierstück **3** in den Adapteranschluss **2**.
- ◆ Schieben Sie den Schlauch einer zulässigen Staubsaugvorrichtung (z.B. eines Werkstattstaubsaugers) auf das Reduzierstück **3**.

Entnehmen:

- ◆ Ziehen Sie den Schlauch der Staubsaugvorrichtung vom Reduzierstück **3** ab.
- ◆ Ziehen Sie das Reduzierstück **3** ab.

Inbetriebnahme

⚠️ VORSICHT!

- ▶ Stellen Sie sicher, dass das Gerät vor dem Anschließen an die Stromversorgung ausgeschaltet ist.

HINWEIS

- ▶ Schalten Sie den Multifunktions-
schleifer immer vor Materialkontakt ein und führen Sie das Gerät erst dann auf das Werkstück.

Ein- und ausschalten

Gerät einschalten:

- ◆ Drücken Sie den EIN- / AUS-Schalter **1** in die Position „I“.

Gerät ausschalten:

- ◆ Drücken Sie den EIN- / AUS-Schalter **1** in die Position „0“.

Schwingzahl einstellen

Die gewünschte Schwingzahl können Sie mit der Schwingzahlvorwahl **14** je nach Bedarf vorwählen. Die erforderliche Schwingzahl ist abhängig vom zu bearbeitenden Material und kann durch praktischen Versuch ermittelt werden.

Arbeitshinweise

- Führen Sie das Gerät eingeschaltet an das Werkstück.
- Arbeiten Sie mit geringem Anpressdruck.
- Arbeiten Sie mit gleichmäßigem Vorschub.
- Wechseln Sie die Schleifblätter rechtzeitig aus.
- Schleifen Sie nie mit dem gleichen Schleifblatt unterschiedliche Materialien (z.B. Holz und anschließend Metall). Nur mit einwandfreien Schleifblättern erreichen Sie gute Schleifleistungen.
- Reinigen Sie hin und wieder das Schleifblatt mit dem Staubsauger.
- Schleifen Sie schwer erreichbare Stellen mit der vorderen oder seitlichen Kante des Schleifblattes an der Schleifplatte.
- Führen Sie den Schleifvorgang parallel und überlappend zu den Schleifbahnen durch.
- Heben Sie das Gerät nach der Bearbeitung vom Werkstück ab und schalten Sie es dann aus.

Wartung und Reinigung

⚠ WARNUNG!

- ▶ Bevor Sie Arbeiten am Gerät durchführen, ziehen Sie immer den Netzstecker aus der Steckdose.

Der Multifunktionsschleifer ist wartungsfrei.

- Reinigen Sie das Gerät, direkt nach Abschluss der Arbeit.
- Verwenden Sie zur Reinigung des Gehäuses ein trockenes Tuch.
- Entfernen Sie anhaftenden Schleifstaub mit einem Pinsel.
- Verwenden Sie keinesfalls scharfe Gegenstände, Benzin, Lösungsmittel oder Reiniger, die Kunststoff angreifen. Vermeiden Sie, dass Flüssigkeiten in das Innere des Gerätes gelangen.
- Halten Sie die Lüftungsöffnungen immer frei.

Garantie

Sie erhalten auf dieses Gerät 3 Jahre Garantie ab Kaufdatum. Das Gerät wurde sorgfältig produziert und vor Anlieferung gewissenhaft geprüft. Bitte bewahren Sie den Kassenbon als Nachweis für den Kauf auf. Bitte setzen Sie sich im Garantiefall mit Ihrer Servicestelle telefonisch in Verbindung. Nur so kann eine kostenlose Einsendung Ihrer Ware gewährleistet werden.

Die Garantieleistung gilt nur für Material- oder Fabrikationsfehler, nicht aber für Transportschäden, Verschleißteile oder für Beschädigungen an zerbrechlichen Teilen, z. B. Schalter oder Akkus. Das Produkt ist lediglich für den privaten und nicht für den gewerblichen Gebrauch bestimmt. Bei missbräuchlicher und unsachgemäßer Behandlung, Gewaltanwendung und bei Eingriffen, die nicht von unserer autorisierten Service-Niederlassung vorgenommen wurden, erlischt die Garantie. Ihre gesetzlichen Rechte werden durch diese Garantie nicht eingeschränkt. Die Garantiezeit wird durch die Gewährleistung nicht verlängert. Dies gilt auch für ersetzte und reparierte Teile. Eventuell schon beim Kauf vorhandene Schäden und Mängel müssen sofort nach dem Auspacken gemeldet werden, spätestens aber zwei Tage nach Kaufdatum. Nach Ablauf der Garantiezeit anfallende Reparaturen sind kostenpflichtig.

Service

DE Service Deutschland

Tel.: 0800 5435 111
E-Mail: kompernass@lidl.de

IAN 115767

AT Service Österreich

Tel.: 0820 201 222 (0,15 EUR/Min.)
E-Mail: kompernass@lidl.at

IAN 115767

CH Service Schweiz

Tel.: 0842 665566 (0,08 CHF/Min., Mobilfunk max. 0,40 CHF/Min.)
E-Mail: kompernass@lidl.ch

IAN 115767

Erreichbarkeit Hotline: Montag bis Freitag von 8:00 Uhr - 20:00 Uhr (MEZ)

Importeur

KOMPERNASS HANDELS GMBH

BURGSTRASSE 21

44867 BOCHUM

GERMANY

www.kompernass.com

Entsorgung



Die Verpackung besteht aus umweltfreundlichen Materialien, die Sie über die örtlichen Recyclingstellen entsorgen können.



Werfen Sie Elektrowerkzeuge nicht in den Hausmüll!

Gemäß Europäischer Richtlinie 2012/19/EU über Elektro- und Elektronik-Altgeräte und Umsetzung in nationales Recht müssen verbrauchte Elektrowerkzeuge getrennt gesammelt und einer umweltgerechten Wiederverwertung zugeführt werden.

Möglichkeiten zur Entsorgung des ausgedienten Gerätes erfahren Sie bei Ihrer Gemeinde- oder Stadtverwaltung.

Original-Konformitätserklärung

Wir, KOMPERNASS HANDELS GMBH, Dokumentenverantwortlicher: Herr Semi Uguzlu, BURGSTR. 21, 44867 BOCHUM, DEUTSCHLAND, erklären hiermit, dass dieses Produkt mit den folgenden Normen, normativen Dokumenten und EG-Richtlinien übereinstimmt:

**Maschinenrichtlinie
(2006 / 42 / EC)**

**Elektromagnetische Verträglichkeit
(2004 / 108 / EC)**

**RoHS Richtlinie
(2011 / 65 / EU)**

Angewandte harmonisierte Normen:

EN 60745-1: 2009 / A11: 2010

EN 60745-2-4: 2009 / A11: 2011

EN 62233: 2008

EN 55014-1: 2006 / A2: 2011

EN 55014-2: 1997 / A2: 2008

EN 61000-3-2: 2014

EN 61000-3-3: 2013

Typ / Gerätebezeichnung:

3in1 Multifunktionsschleifer PMFS 200 A1

Herstellungsjahr: 07-2015

Seriennummer: IAN 115767

Bochum, 08.04.2015

Semi Uguzlu

- Qualitätsmanager -



Technische Änderungen im Sinne der Weiterentwicklung sind vorbehalten.

KOMPERNASS HANDELS GMBH

BURGSTRASSE 21

44867 BOCHUM

DEUTSCHLAND / GERMANY

www.kompernass.com

Last Information Update · Stand der Informationen:

05 / 2015 Ident.-No.: PMFS200A1-052015-2

IAN 115767

