

SILVERCREST®



www.lidl-service.com



ELECTRIC OVEN & GRILL SGBR 1500 A1

(GB)

ELECTRIC OVEN & GRILL

Operating instructions

(GR)

ΦΟΥΡΝΑΚΙ ΜΕ ΓΚΡΙΑ

Οδηγίες χρήσης

(RO)

CUPTOR AUTOMAT PENTRU GRILL ȘI COPT

Instrucțiuni de utilizare

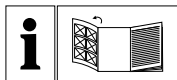
(DE) (AT) (CH)

GRILL- UND BACKAUTOMAT

Bedienungsanleitung

IAN 102464

(RO) (GR)



GB

Before reading, unfold the page containing the illustrations and familiarise yourself with all functions of the device.

RO

Înainte de a citi instrucțiunile, priviți imaginile și familiarizați-vă cu toate funcțiile aparatului.

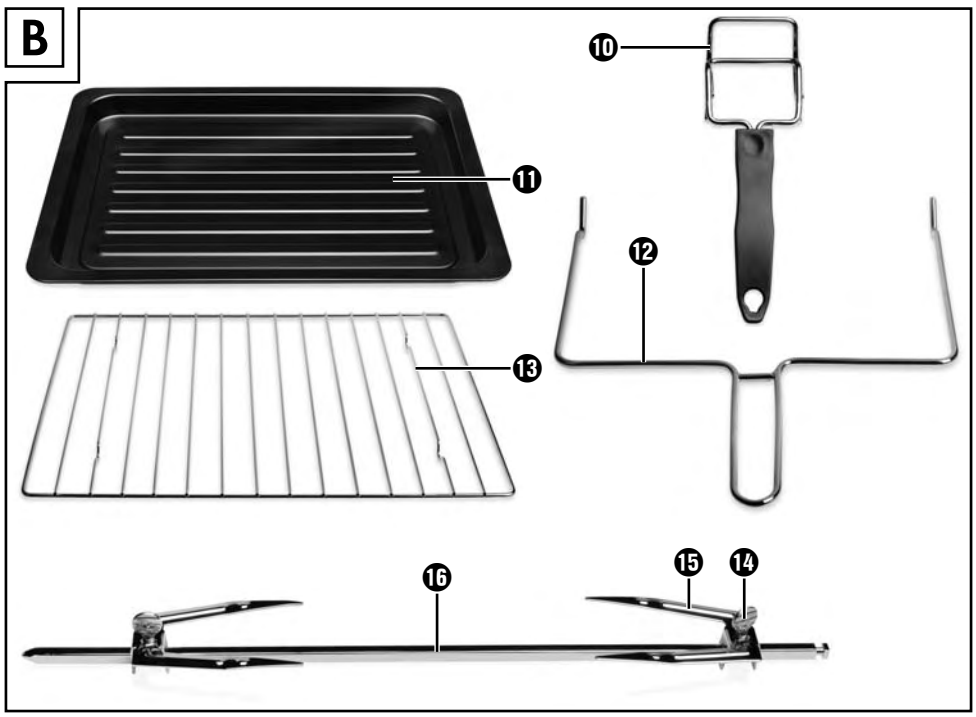
GR

Πριν ξεκινήσετε την ανάγνωση, ανοίξτε τη σελίδα με τις εικόνες και εξοικειωθείτε με όλες τις λειτουργίες της συσκευής.

DE AT CH

Klappen Sie vor dem Lesen die Seite mit den Abbildungen aus und machen Sie sich anschließend mit allen Funktionen des Gerätes vertraut.

GB	Operating instructions	Page	1
RO	Instrucțiuni de utilizare	Pagina	15
GR	Οδηγίες χρήσης	Σελίδα	29
DE/AT/CH	Bedienungsanleitung	Seite	43



Contents

Introduction	2
Proper use	2
Package contents	2
Appliance description	2
Technical data	2
Safety instructions	3
Setting up	6
Using the appliance	6
Glass door	6
Inserting the crumb tray	6
Using the rotisserie	7
Using the baking tray/rack	8
Before first use	8
Operating the appliance	9
Function switch	9
Temperature control	9
Timer	9
Grilling and baking	9
Grilling with the rotisserie	10
Cleaning and care	12
Storage	12
Troubleshooting	13
Warranty and service	14
Disposal	14
Importer	14

Introduction

Congratulations on the purchase of your new appliance.

You have selected a high-quality product.

The operating instructions are part of this product.

They contain important information on safety, usage and disposal. Before using the product, familiarise yourself with all handling and safety guidelines.

Use the product only as described and for the range of applications specified. Please also pass these operating instructions on to any future owner(s).

Proper use

The automatic oven and grill is intended for the heating, cooking and grilling of food.

This appliance is intended solely for use in private homes. Do not use it for commercial applications.

All other uses are deemed to be improper and may result in property damage or even in personal injury.

Package contents

- ◆ Electric Oven & Grill
- ◆ 1 baking tray
- ◆ 1 rack
- ◆ 2 tongs
- ◆ Rotisserie with 2 clamps
- ◆ 1 crumb tray
- ◆ Operating instructions

NOTE

Check contents for completeness and damage immediately after unpacking. Contact Customer Services if necessary.

Appliance description

Figure A:

- ❶ Drive
- ❷ Temperature control
- ❸ Function switch
- ❹ Timer
- ❺ Control lamp
- ❻ Glass door
- ❼ Crumb tray
- ❽ Lower heating element
- ❾ Spit fitting

Figure B:

- ❿ Tongs (baking tray or rack)
- ⓫ Baking tray
- ⓬ Tongs (for spit)
- ⓭ rack
- ⓮ Restrainer
- ⓯ Skewer clamps
- ⓰ Rotisserie


Technical data

Rated voltage: 220 - 240 V ~,
50/60 Hz

Max. power consumption: 1500 W

Safety instructions

DANGER – RISK OF ELECTRIC SHOCK!

- ▶ Do not open the housing of the appliance or attempt to repair it. Doing so can lead to risks and also invalidates the warranty. Defective appliances should be repaired by the retailer or authorized personnel only.
 - ▶ Arrange for defective power plugs and/or cables to be replaced as soon as possible by a qualified technician or by our Customer Service Department to avoid the risk of injury.
 - ▶ Do not allow any liquids to penetrate the housing. Do not expose the appliance to moisture and do not use it outdoors. Additionally, do not place fluid-filled receptacles such as flower vases on the appliance. This increases the risk of fire and of receiving an electric shock! If liquids permeate into the housing, unplug the appliance immediately and arrange for it to be repaired by a qualified technician.
 - ▶ Never touch the appliance, power cable or power plug with wet hands. There is a risk of electric shock!
-  **NEVER** immerse the appliance in water or other liquids!
Risk of electrocution if residual liquids come into contact with live components during operation.

⚠ WARNING – RISK OF INJURY!

- ▶ This appliance may be used by children of the age of 8 years or more and by persons with reduced physical, sensory or mental capabilities or lack of experience and/or knowledge if they are being supervised or have been instructed with regard to the safe use of the appliance and have understood the potential risks.
- ▶ Children must not use the appliance as a plaything.
- ▶ Cleaning and user maintenance must not be performed by children unless they are older than 8 years of age and are supervised.
- ▶ Children younger than 8 years of age must be kept away from the appliance and the power cable.
- ▶ Route the power cable in such a way that no one can tread on it or trip over it.
- ▶ Never touch the glass door or the housing during use, these can get very hot. Use oven gloves or something similar to open the glass door to avoid being burnt!
- ▶ Never touch the heating elements or the viewing window when the appliance is in use, or before it has cooled down completely. Do not reach into the cooking chamber when the appliance is in use. Wait until the appliance has cooled down. Otherwise, you could be burnt.
- ▶ Allow the appliance to cool down after use before transporting it.
- ▶ Always use oven gloves or a pot holder if you need to take hold of the appliance.



Caution! Hot surface!

CAUTION – PROPERTY DAMAGE!

- ▶ Do not use an external timer switch or a separate remote control system to operate the appliance.
- ▶ Never leave the appliance unattended during operation.
- ▶ Ensure that the appliance, the power cable and the plug do not come into contact with heat sources such as hotplates or naked flames.
- ▶ Only operate the appliance with the original accessories supplied.
- ▶ Do not kink or crush the mains cable.
- ▶ To disconnect, always remove the plug itself from the mains power socket, do not pull on the power cable.
- ▶ When the appliance is in use, ensure that there are no easily inflammable materials in the immediate vicinity (e.g. dishcloths, oven cloths, etc.).
- ▶ Never dry textiles or other objects on or above the appliance.
This increases the risk of fire!

Setting up

WARNING! RISK OF FIRE!

- ▶ Never place the appliance beneath wall cupboards or next to curtains, cupboard walls or other flammable objects.
- ▶ Always ensure a minimum distance between the appliance and hanging cupboards, ceilings, walls or similar of at least 10 cm above the appliance and 5 cm at the sides. For this reason the appliance may not be used, for example, in cupboards or similar. Otherwise there is likely to be insufficient ventilation for the appliance, which could cause a fire or damage.
- ▶ Always place the appliance on a heat-resistant surface. Failure to do so increases the risk of fire or of it being damaged. The area under the bottom can discolour and be damaged. Additionally, if placed on a soft upper surface, the appliance could cause permanent damage to it due to pressure indentations.

DANGER – ELECTRIC SHOCK!

- ▶ Do not place the appliance immediately adjacent to sources of water, e.g. sinks or basins, or in damp cellar areas. Otherwise, there is a risk of receiving an electric shock.
- Place the appliance on a solid, level and heat-resistant surface (e.g. stainless steel worktops or natural stone worktops such as granite). Ensure there is sufficient ventilation around the appliance.
- Clean all components as described in the section “Cleaning and care”.

Using the appliance

Glass door

ATTENTION! DAMAGE TO PROPERTY!

- ▶ Do not lean on the glass door **6**. Do not place any objects on the glass door **6**. This can cause damage to the hinges.
- If you are cooking especially fatty foodstuffs, this can result in increased smoke production. In this case, do not close the glass door **6** completely; instead, leave it slightly open:
The glass door **6** has a latching position so that it remains open a little: if you carefully push the glass door **6** closed, it clicks into this position shortly before closing completely.

Inserting the crumb tray

- Push the crumb tray **7** under the lower heating element **8** so that it rests flat on the bottom of the appliance.

Using the rotisserie

⚠ WARNING! RISK OF INJURY!

- ▶ Always use the tongs **12** to insert the hot rotisserie **16** into the appliance or to remove it.
- You can use the two skewer clamps **15** to fix the food onto the rotisserie **16**. Loosen the restrainer **14** on the skewer clamps **15**, push them so that the food is fixed firmly in between the clamps and then screw the restrainer **14** tight again.
- First push the end of the rotisserie **16** **without** the notch into the drive **1** (Figure 1):

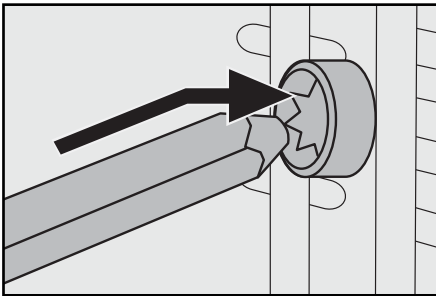


Fig. 1: Push the rotisserie **16** into the drive **1**.

- Then insert the other end of the rotisserie **16** with the deep groove in the spit fitting **9** (Figure 2):

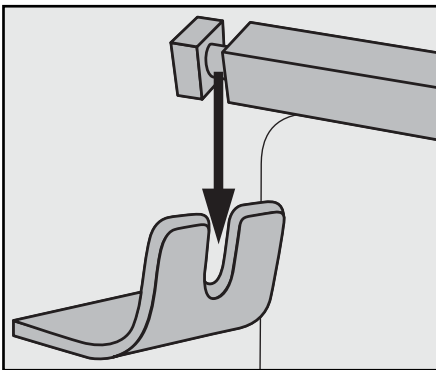


Fig. 2: Insert the rotisserie **16** in the spit fitting **9**.

NOTE

- ▶ Always slide the baking tray **11** into the lower rail when you use the rotisserie **16**. This will collect any drips.
- To remove the hot rotisserie **16**, grip with the hooks at the end of the tongs **12** into the recesses on the rotisserie **16** (Figure 3):

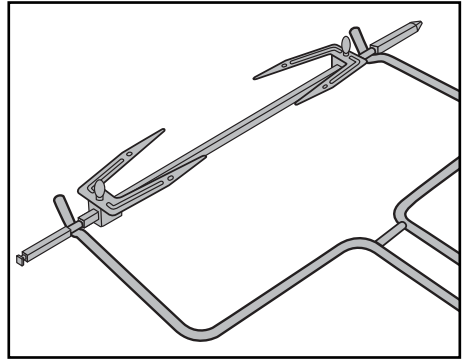


Fig. 3: Hooking the tongs **12** onto the rotisserie **16**

- First lift the left-hand side of the rotisserie **16** out of the spit fitting **9** and then pull the rotisserie **16** from the drive **1**.

Using the baking tray/rack

⚠ WARNING! RISK OF INJURY!

▶ Always use the tongs 10 to insert the hot baking tray 11/the hot rack 13 into the appliance or to remove it.

■ Push the baking tray 11/the rack 13 into one of the 3 rails in the cooking chamber of the appliance.

⚠ ATTENTION! DAMAGE TO PROPERTY!

▶ Never place the baking tray 11/the rack 13 directly onto the heating elements 8.

■ To remove the hot baking tray 11 or the rack 13, hook the tongs 10 onto them as follows:

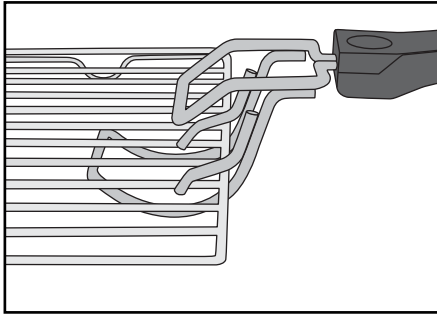


Fig. 4: Hooking the tongs 10 onto the rack 13

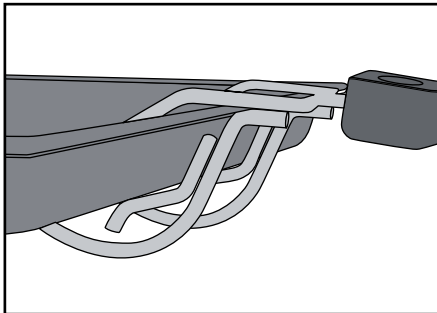



Fig. 5: Hooking the tongs 10 onto the baking tray 11

Before first use

- 1) Insert the plug into a mains power socket.
- 2) Turn the temperature control 2 clockwise to the maximum temperature (to the stop).
- 3) Turn the function switch 3 to "upper and lower heat" .
- 4) Open the glass door 6 leave this open for this operation.
- 5) Remove any installed accessories from the cooking chamber.
- 6) Turn the timer 4 to 20 minutes.

NOTE

▶ The first time the appliance heats up, a small amount of smoke and odour may be generated due to production-related residue. This is normal and is completely harmless. Provide sufficient ventilation by opening a window, for example.

The appliance switches off automatically after 20 minutes.

If you want to interrupt the heating process prematurely, turn the temperature control 2 counter-clockwise to the stop and set the timer 4 to "OFF - 0".

- 7) Allow the appliance to cool down, then clean the appliance as described in the chapter "Cleaning and care".

The appliance is now ready for use.

Operating the appliance

Function switch

You can switch on the appliance with the function switch **3**, and also set 5 different functions:

Symbol	Meaning
	"Upper heat" e.g. to gratinate
	"Lower heat" e.g. for baking
	"Upper & lower heat" e.g. for baking a pizza
	"Upper & lower heat/hot air/ roisserie" e.g. to roast poultry
	"Upper & lower heat/hot air" e.g. to reheat rolls
OFF	"OFF" the appliance is switched off.

Temperature control

Use the temperature control **2** to set the desired temperature.

- If you set the temperature for the functions "Upper heat" , "Lower heat" or "Upper & lower heat" use the scale marked with "".
- If you set the temperature for the functions "Upper & lower heat/hot air/roisserie" or "Upper & lower heat/hot air" use the scale marked with "".

Timer

Use the timer **4** to set the cooking time.

- Set the timer **4** to the desired cooking time. After expiry of the set time a signal tone sounds and the appliance stops heating. If the function "Upper & lower heat/hot air/roisserie" is selected, the roisserie **16** will also stop turning.

Grilling and baking

- 1) Put the crumb tray **7** into the appliance.
- 2) Remove the rack **13** and baking tray **11** from the appliance. If required, cover these with baking paper or lightly grease the baking tray **11** with suitable baking fat.

NOTE

- ▶ Depending on the meal, the oven must be preheated. Refer to the guidelines in the respective recipe. Preheating is useful for:
 - very short baking times,
 - crisp crusts,
 - sensitive meals that require a constant temperature, such as soufflés.
- ▶ If no preheating is required, skip step 3).

- 3) Allow the appliance to heat up for approx. 10 minutes (depending on the temperature setting) to the required temperature:
 - Select the required temperature using the temperature control **2**. Ensure that you use the correct scale (see chapter "Temperature control").
 - Select the required function with the function switch **3**.

NOTE

- ▶ As a general rule, if you are baking or grilling with hot air you can dispense with a preheating of the grilling/cooking space.
 - Use the timer **4** to set the preheat time (approx. 10 minutes).
 - Close the glass door **6**.
- 4) Once the warm-up period is finished, place the foodstuffs on the rack **15** or the baking tray **11** and slide it in on one of the rails. Ensure that there is sufficient space between the foodstuffs and the inner walls/heating elements of the appliance.

NOTE

- ▶ If you wish to prepare food on the rack **15** that drips excessively, then slide the baking tray **11** onto the bottom rail. By doing this, dripping fat for example will be caught and the appliance is then easier to clean.
- 5) Close the glass door **6** before starting the grilling or baking process.
- 6) Use the timer **4** to set the required grilling or baking time. The maximum grilling or baking time is 120 minutes.

NOTE

- ▶ If the cooking time for the food is less than 20 minutes, first set the timer **4** to 40 minutes and then turn it back to the required grilling or baking time.

The control lamp **5** indicates that the appliance is now switched on. The switch of the timer **4** now rotates itself anti-clockwise to "OFF - 0".

The appliance switches off automatically after the set period, there is a beep and the control lamp **5** switches off.

NOTE

If you want to interrupt the heating process prematurely, turn the temperature control **2** counter-clockwise to the stop and set the timer **4** to "OFF - 0".


- 7) After cooking, remove the rack **15** or the baking tray **11** using the tongs **10**.
- 8) Set the function switch **3** to "OFF".

Grilling with the rotisserie

- 1) Put the crumb tray **7** into the appliance.
- 2) If inserted, remove the rotisserie **16** from the appliance.
- 3) Push the baking tray **11** onto the lower rail.
- 4) Fix the food to be grilled with the skewer clamps **15**. Ensure that the food in the cooking chamber can turn freely without touching the sides. The rotisserie **16** may change its direction of rotation if the food strikes against a resistance. The two depressions on the rotisserie **16** must remain freely accessible, otherwise you will not be able to grasp the rotisserie **16** with the tongs **12**.
- 5) Fit the rotisserie **16** in the cooking chamber (see chapter "Using the rotisserie")
- 6) Close the glass door **6**.

NOTE

If you want to interrupt the heating process prematurely, turn the temperature control **2** counter-clockwise to the stop and set the timer **4** to "OFF - 0".

- 7) Adjust the temperature control **2** to the desired temperature.
- 8) Set the function switch **3** to "Upper & lower heat/hot air/roast" . Set the timer **4** to the desired grill time.
The appliance starts the grilling process and the rotisserie **16** starts turning.

The control lamp **5** indicates that the appliance is now switched on. The switch of the timer **4** now rotates itself anti-clockwise to "OFF - 0".

The appliance switches off automatically after the set period, there is a beep and the control lamp **5** switches off.



NOTE

If you want to interrupt the heating process prematurely, turn the temperature control **2** counter-clockwise to the stop and set the timer **4** to "OFF - 0".

- 9) After the grilling process is completed remove the rotisserie **16** with the help of the tongs **12**.
- 10) Set the function switch **3** to "OFF".

EXAMPLE: GRILLED CHICKEN**Ingredients**


- ◆ Grilling chicken (approx. 1.3 kg, guts removed)
- ◆ Spices (salt, paprika)
- ◆ Cooking oil

- 1) Season the chicken on the inside and outside with salt and paprika powder. Brush it from the outside with heat resistant cooking oil.
- 2) Push the chicken onto the spit and fix it in place with the skewer clamps **15**. Ensure that the notches on the rotisserie **16** remain free so that you can remove the rotisserie **16** with the help of the tongs **12**. Depending on the shape of the chicken, it may be necessary to fasten the wings and legs with a fireproof string to stop them impacting the sides when turning.
- 3) Push the baking tray **11** onto the lower rail.
- 4) Preheat the appliance for about 10 minutes using the function "Upper & lower heat/hot air"  to 210°C.
- 5) Put the chicken on the rotisserie into the appliance using the tongs **12**.
- 6) Set the function switch to "Upper & lower heat/hot air/roast"  and close the door.
- 7) Set the timer **4** approx. 90 minutes. The cooking time can vary depending on the size and nature of the chicken.
- 8) Brush the chicken every now and again with some cooking oil. This will make it crispy.
- 9) Once the set time is up, carefully remove the rotisserie with the chicken using the tongs **12**. Loosen the skewer clamps **15** and pull the chicken off the rotisserie **16**.

Cleaning and care

DANGER – ELECTRIC SHOCK!

- ▶ Before cleaning the appliance, disconnect the plug from the mains power socket!
Risk of electric shock!

 NEVER immerse the appliance in water or any other liquid!

WARNING! RISK OF INJURY!

- ▶ Always allow the appliance to cool down before cleaning it. Otherwise there is a risk of burns!

- It is best to clean the appliance and accessories as soon as they have cooled down. This makes food residues easier to remove.

ATTENTION! DAMAGE TO PROPERTY!

- ▶ Do not use abrasive or aggressive cleaning materials. These could damage the surface of the appliance!
- ▶ Do not clean the components of the appliance in a dishwasher!
- ▶ Do not clean the cooking chamber with an oven spray as this may make residues on the heating elements impossible to remove.

- Wipe the appliance with a damp cloth. If necessary, put a little mild detergent on the cloth and wipe this off afterwards with a cloth dampened with clean water. Dry everything properly.
- Clean the cooking chamber and the glass door **6** with a moist cloth. If necessary, put a little mild detergent on the cloth and wipe this off afterwards with a cloth dampened with clean water. Dry everything properly.
- Clean the tongs **10/12**, the rotisserie **16**, the skewer clamps **15**, the restrainer **14**, the baking tray **11**, the rack **13** and the crumb tray **7** in warm soapy water. Dry all parts properly after cleaning.

Storage

- Store the cleaned appliance and its accessories in a clean, dust-free and dry location.

Troubleshooting

Fault	Cause	Solution
The appliance is not working.	The mains plug is not connected to the mains power.	Insert the plug into a mains power socket.
	The mains power socket is defective.	Use a different mains power socket.
	The appliance is defective.	Contact Customer Services.
The control lamp ❸ comes on and but the appliance does not heat up.	The function switch ❹ is set to OFF.	Turn the function switch ❹ to the desired function.
The cooking time of the food seems very long	The glass door ❺ has been opened often to check the cooking progress.	Do not open the glass door ❺ any more often than is absolutely necessary.
	The wrong temperature level has been set.	Check the temperature settings.
Smoke and smells develop during use.	There is detergent or food residue on the heating elements.	Remove the food from the appliance and continue cooking process with the glass door ❺ open until the smoke stops.

If the malfunction cannot be corrected with the above suggestions, or if you have found some other kind of malfunction, please contact our Customer Service.

GB

Warranty and service

The warranty provided for this appliance is 3 years from the date of purchase. This appliance has been manufactured with care and inspected meticulously prior to delivery. Please retain your receipt as proof of purchase. In the event of a warranty claim, please contact your Customer Service unit by telephone. This is the only way to **guarantee free return of your goods.**

The warranty only covers claims for material and manufacturing defects, not for transport damage, wearing parts or for damage to fragile components such as switches or batteries. This appliance is intended solely for private use and not for commercial purposes.

The warranty shall be deemed void in the case of misuse or improper handling, use of force and interventions which have not been carried out by one of our authorised Service centres.

Your statutory rights are not restricted by this warranty.

The warranty period is not prolonged by repairs effected under the warranty. This also applies to replaced and repaired components. Any damage and defects present at the time of purchase must be reported immediately after unpacking, but no later than two days after the date of purchase. Repairs made after expiry of the warranty period are chargeable.

GB Service Great Britain

Tel.: 0871 5000 720 (£ 0.10/Min.)

E-Mail: kompernass@lidl.co.uk

IAN 102464

IE Service Ireland

Tel.: 1890 930 034

(0,08 EUR/Min., (peak))

(0,06 EUR/Min., (off peak))

E-Mail: kompernass@lidl.ie

IAN 102464

CY Service Cyprus

Tel.: 8009 4409

E-Mail: kompernass@lidl.com.cy

IAN 102464

Hotline availability:

Monday to Friday 08:00 - 20:00 (CET)

Disposal



Under no circumstance should the appliance be disposed of as standard domestic waste. This product is subject to the provisions of European Directive 2012/19/EU.

Dispose of the appliance via an approved waste disposal company or your municipal waste disposal facility. Please observe applicable regulations. Please contact your waste disposal facility if you are in any doubt.



The packaging is made of environmentally friendly materials which you can dispose of at your local recycling centre.

Importer

KOMPERNASS HANDELS GMBH

BURGSTRASSE 21

44867 BOCHUM

GERMANY

www.kompernass.com

Cuprins

Introducere	16
Utilizarea conform destinației	16
Furnitura	16
Descrierea aparatului	16
Datele tehnice	16
Indicații de siguranță	17
Amplasarea	20
Utilizarea aparatului	20
Ușa de sticlă	20
Introducerea tăvii pentru firimituri	20
Utilizarea rotisorului	21
Utilizarea tăvii de copt/grătarului	22
Înainte de prima utilizare	22
Deservirea aparatului	23
Comutator funcțional	23
Butonul de reglare a temperaturii	23
Temporizatorul	23
Frigerea și coacerea	23
Frigerea la rotisor	24
Curățarea și îngrijirea	26
Depozitarea	26
Remediarea defecțiunilor	27
Garanția și service-ul	28
Eliminarea	28
Importator	28

Introducere

Felicitări pentru cumpărarea noului dvs. aparat.

Prin aceasta v-ați decis pentru un produs de calitate superioară. Instrucțiunile de utilizare fac parte integrantă din acest produs. Acestea cuprind informații importante pentru siguranță, utilizare și eliminare.

Înainte de utilizarea produsului, familiarizați-vă cu toate indicațiile privind operarea și siguranța. Utilizați acest produs numai în modul descris și numai în scopurile menționate. În cazul transmiterii aparatului unei alte persoane, predați-i, de asemenea, documentele aferente acestuia.

Utilizarea conform destinației

Cuptorul electric cu grill este destinat exclusiv încălzirii, preparării și frigării alimentelor.

Acest aparat este destinat exclusiv uzului casnic. Este interzisă utilizarea profesională.

Orice altă utilizare este considerată neconformă cu destinația și poate conduce la pagube materiale sau vătămări corporale.

Furnitura

- ◆ Cuptor automat pentru grill și copt
- ◆ 1 tavă de copt
- ◆ 1 grătar
- ◆ 2 clește
- ◆ Rotisor cu 2 țepușe
- ◆ 1 tavă pentru firimituri
- ◆ Instrucțiuni de utilizare

INDICAȚIE

Imediat după dezambalare, verificați dacă furnitura este completă și nu prezintă deteriorări. Adresați-vă centrului de service dacă este cazul.

Descrierea aparatului

Figura A:

- ❶ Mecanism de antrenare
- ❷ Buton de reglare a temperaturii
- ❸ Comutator funcțional
- ❹ Temporizator
- ❺ Bec de control
- ❻ Ușă de sticlă
- ❼ Tava pentru firimituri montată
- ❽ Elementi inferiori de încălzire
- ❾ Suport pentru rotisor

Figura B:

- ❿ Clește (pentru tava de copt și grătar)
- ⓫ Tavă de copt
- ⓬ Clește (pentru rotisor)
- ⓭ Grătar
- ⓮ Opritor
- ⓯ Țepușe pentru rotisor
- ⓰ Rotisor


Datele tehnice

Tensiune nominală: 220 - 240 V ~,
50/60 Hz

Consum max.: 1500 W

Indicații de siguranță

PERICOL DE ELECTROCUTARE!

- ▶ Nu este permisă deschiderea sau repararea carcasei aparatului. În aceste cazuri nu mai este asigurată siguranța, iar garanția devine nulă. Solicitați repararea aparatului defect numai distribuitorului sau personalului de specialitate autorizat.
 - ▶ Pentru a evita pericolele, solicitați imediat înlocuirea de către personalul de specialitate autorizat sau de către serviciul clienți a ștecărelor sau a cablurilor de alimentare deteriorate.
 - ▶ Evitați pătrunderea oricăror lichide în carcasă. Nu expuneți aparatul mediilor umede și nu-l utilizați în aer liber. De asemenea este interzisă așezarea vaselor cu lichide pe cuptor, cum ar fi vasele. Pericol de incendiu și de electrocutare! Dacă, din întâmplare, în carcasa aparatului se infiltrează lichide, scoateți imediat ștecărul din priză și predați aparatul unui specialist în vederea reparării.
 - ▶ Nu puneți mâinile ude pe aparat, pe cablul de alimentare sau pe ștecăr. Pericol de electrocutare.
-  Nu introduceți niciodată aparatul în apă sau în alte lichide! Există pericol de moarte prin electrocutare dacă în timpul funcționării ajung resturi de lichid pe componentele conductoare de tensiune.

⚠️ AVERTIZARE – PERICOL DE RĂNIRE!

- ▶ Acest aparat poate fi utilizat de copii începând cu vârsta de 8 ani, precum și de persoane cu abilități fizice, senzoriale sau mentale reduse sau fără experiență și/sau fără cunoștințe necesare, dacă sunt supravegheate sau dacă au fost instruite cu privire la utilizarea sigură a acestui aparat și au înțeles pericolele cu privire la acesta.
- ▶ Copiilor le este interzis să se joace cu aparatul.
- ▶ Curățarea și acțiunile de întreținere destinate utilizatorului nu se vor efectua de către copii, cu excepția cazului în care aceștia au vârsta peste 8 ani și sunt supravegheați.
- ▶ Copiii cu vârsta sub 8 ani nu trebuie se afle în apropierea aparatului și a cablului de conexiune.
- ▶ Poziționați cablul de alimentare astfel încât să nu se calce pe el sau să devină un obstacol pentru persoane.
- ▶ În timpul utilizării nu atingeți niciodată ușa de sticlă sau carcasa, deoarece acestea devin foarte fierbinți. Pentru a deschide ușa de sticlă utilizați o lavetă de bucătărie sau ceva similar, în scopul prevenirii arsurilor!
- ▶ Nu atingeți niciodată elementii de încălzire sau geamul în timpul funcționării sau înaintea răcirii aparatului. Nu introduceți mâna în interiorul aparatului în timp ce funcționează. Așteptați până ce aparatul s-a răcit. Altfel vă puteți arde.
- ▶ După utilizare, înainte de a-l transporta, așteptați până când aparatul s-a răcit.
- ▶ Utilizați întotdeauna mănuși de bucătărie sau lavete atunci când manevrați aparatul!



Precauție! Suprafețe fierbinți!

ATENȚIE - PAGUBE MATERIALE!

- ▶ Nu utilizați temporizatoare externe sau sisteme separate de comandă de la distanță pentru a opera aparatul.
- ▶ Nu lăsați niciodată aparatul nesupravegheat în timpul funcționării.
- ▶ Asigurați-vă că aparatul, cablul de alimentare sau ștecărul nu vor intra în contact cu suprafețe fierbinți cum sunt plitele sau flăcările deschise.
- ▶ Utilizați aparatul numai cu accesoriile originale din pachetul de livrare.
- ▶ Nu îndoiiți și nu striviți cablul de alimentare.
- ▶ Scoateți întotdeauna cablul din priză trăgând de ștecăr, nu trageți direct de cablu.
- ▶ În timpul funcționării, în imediata apropiere a cuptorului electric cu grill nu trebuie să se afle materiale inflamabile (de ex. prosoape de bucătărie, lavete etc.).
- ▶ Nu uscați niciodată textile sau altfel de obiecte pe aparat, deasupra acestuia sau în interior. Există pericol de incendiu.

Amplasarea

⚠️ AVERTIZARE! PERICOL DE INCENDIU!

- ▶ Nu așezați niciodată aparatul sub dulapuri suspendate sau în apropierea perdelelor, pereților de dulapuri sau a altor obiecte inflamabile.
- ▶ Distanța dintre aparat și dulapurile suspendate, plaoane, pereți etc. trebuie să fie de minim 10 cm în sus și câte 5 cm în lateral. De aceea, aparatul nu trebuie montat, de exemplu, în dulapuri etc. Altfel nu este posibilă aerisirea suficientă a aparatului, care ar putea provoca incendii sau s-ar putea defecta.
- ▶ Așezați aparatul doar pe o suprafață termo-rezistentă. Altfel există pericol de incendiu, iar aparatul s-ar putea defecta. Zona de sub aparat se poate păta sau poate fi deteriorată. În plus, dacă suprafața este construită dintr-un material moale, în aceasta se pot forma adâncituri permanente.

⚠️ PERICOL DE ELECTROCUTARE!

- ▶ Nu amplasați aparatul în imediata apropiere a apei, de exemplu, lângă chiuvete, căzi sau în pivnițe umede. Altfel există pericol de electrocutare.
- Așezați aparatul pe o suprafață dură, dreaptă și rezistentă la căldură (de ex. blat de lucru din oțel sau piatră naturală, cum este granitul). Asigurați o aerisire suficientă pe toate părțile aparatului.
- Curățați toate componentele în modul descris în capitolul „Curățarea și îngrijirea”.

Utilizarea aparatului

Ușa de sticlă

ATENȚIE! PAGUBE MATERIALE!

- ▶ Nu vă sprijiniți de ușa de sticlă **6**. Nu așezați niciun obiect pe ușa de sticlă **6**. Acest lucru ar deteriora balamalele.
- În cazul preparării alimentelor cu multă grăsime se poate forma foarte mult fum. În acest caz nu închideți de tot ușa de sticlă **6**, ci lăsați-o puțin deschisă:
Ușa de sticlă **6** dispune de o poziție de blocare, astfel încât aceasta poate rămâne puțin deschisă: La închiderea cu atenție a ușii de sticlă **6**, aceasta se va bloca, cu puțin înainte de închidere, în poziția respectivă.

Introducerea tăvii pentru firimituri

- Împingeți tava pentru firimituri **7** sub elementii inferiori de încălzire **8**, până la poziționarea plană a acesteia pe fundul aparatului.

Utilizarea rotisorului

⚠️ AVERTIZARE! PERICOL DE RĂNIRE!

► Utilizați întotdeauna cleștele **12** pentru introducerea sau scoaterea din aparat a rotisorului fierbinte **16**.

- Cu ajutorul celor două țepușe **15** pot fi fixate pe rotisor **16** produsele de preparat. Desfaceți opritoarele **14** de la țepușele pentru rotisor **15**, deplasați-le astfel încât produsele de preparat să se fixeze bine între acestea și înșurubați la loc opritoarele **14**.
- Introduceți mai întâi capătul rotisorului **16** fără canelură în mecanismul de antrenare **1** (fig. 1):

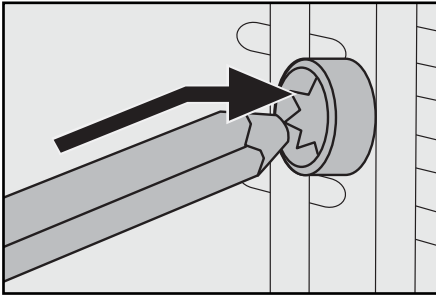


Fig. 1: Introduceți rotisorul **16** în mecanismul de antrenare **1**.

- Apoi așezați celălalt capăt al rotisorului **16** cu canelura adâncă în suportul pentru rotisor **9** (fig. 2):

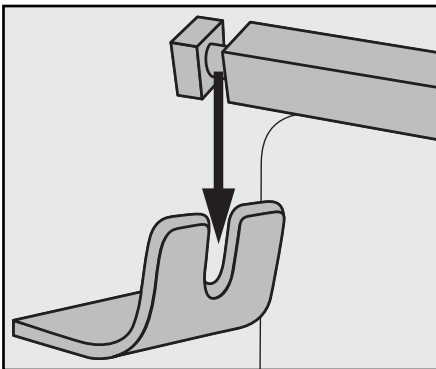


Fig. 2: Introduceți rotisorul **16** în suport **9**.

INDICAȚIE

- Împingeți întotdeauna tava de copt **11** pe șina inferioară atunci când utilizați rotisorul **16**. În acest mod vor fi captate lichidele care se scurg.
- Pentru a scoate rotisorul fierbinte **16** introduceți cârligele de la capătul cleștelui **12** în decupașele de la rotisor **16** (fig. 3):

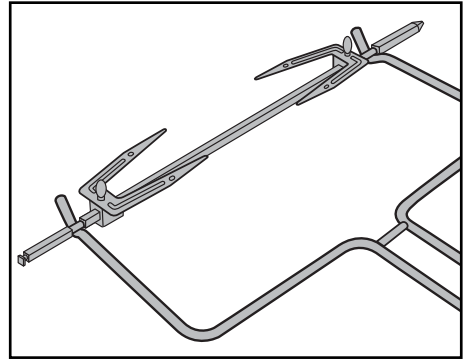


Fig. 3: Prinderea cleștelui **12** la rotisor **16**.

- Ridicați mai întâi partea stângă a rotisorului **16** din suport **9** și apoi scoateți rotisorul **16** din mecanismul de antrenare **1**.

Utilizarea tăvii de copt/grătarului

⚠️ AVERTIZARE! PERICOL DE RĂNIRE!

► Utilizați întotdeauna cleștele 10 pentru introducerea sau scoaterea din aparat a tăvii de copt fierbinți 11/grătarului fierbinte 13.

■ Împingeți tava de copt 11/grătarul 13 pe una dintre cele 3 șine din interiorul aparatului.

ATENȚIE! PAGUBE MATERIALE!

► Nu așezați niciodată tava de copt 11/grătarul 13 direct pe elementii de încălzire 8.

■ Pentru a putea scoate tava de copt 11 sau grătarul fierbinte 13, prindeți cleștele 10 după cum urmează:

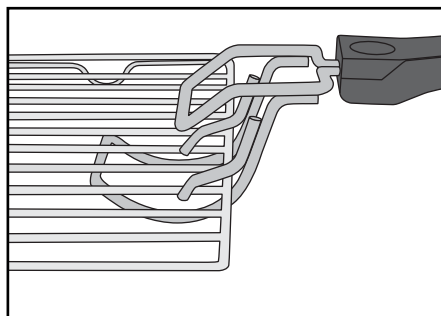


Fig. 4: Prinderea cleștelui 10 la grătar 13

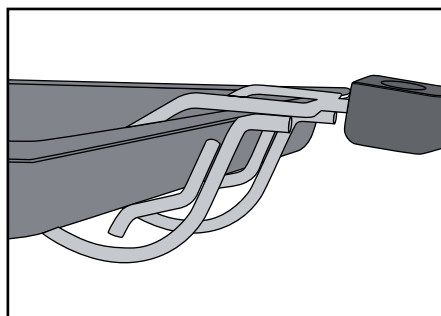



Fig. 5: Prinderea cleștelui 10 la tava de copt 11.

Înainte de prima utilizare

- 1) Introduceți ștecărul în priză.
- 2) Rotiți butonul de reglare a temperaturii 2 până la limită, în sensul acelor de ceasornic, la temperatura maximă.
- 3) Rotiți comutatorul funcțional 3 pe „Încălzire în partea superioară și încălzire în partea inferioară” .
- 4) Deschideți ușa de sticlă 6 și lăsați-o deschisă pentru această operațiune.
- 5) Scoateți eventualele accesorii din interiorul aparatului.
- 6) Rotiți temporizatorul 4 la 20 de minute.

INDICAȚIE

► La prima încălzire a aparatului se pot degaja ușoare mirosuri și fum din cauza resturilor rămase din fabricație. Acest lucru este absolut normal și inofensiv. Asigurați aerisirea suficientă a încăperii, de exemplu, prin deschiderea ferestrei.

Aparatul se oprește automat după 20 de minute.

Pentru a întrerupe anticipat procesul de încălzire rotiți butonul de reglare a temperaturii 2 până la limită, în sens invers acelor de ceasornic și poziționați temporizatorul 4 pe „OFF - 0”.

- 7) Așteptați ca aparatul să se răcească și curățați-l conform descrierii din capitolul „Curățarea și îngrijirea”.

Acum puteți utiliza aparatul.

Deservirea aparatului

Comutator funcțional

Cu ajutorul comutatorului funcțional ❸ poate fi pornit aparatul și pot fi reglate 5 funcții diferite:

Simbolul	Semnificația
	„Încălzire în partea superioară” de exemplu pentru gratinare
	„Încălzire în partea inferioară” de exemplu pentru prăjituri
	„Încălzire în partea superioară & încălzire în partea inferioară” de exemplu pentru pizza
	„Încălzire în partea superioară & încălzire în partea inferioară/ventilație/rotisor” de exemplu pentru frigerea puilor
	„Încălzire în partea superioară & încălzire în partea inferioară/ventilație” de exemplu pentru coacerea chiflelor
OFF	„OFF” aparatul este oprit

Butonul de reglare a temperaturii

Cu ajutorul butonului de reglare a temperaturii ❷ poate fi reglată temperatura dorită.

- La reglarea temperaturii pentru funcțiile „Încălzire în partea superioară” „Încălzire în partea inferioară” sau „Încălzire în partea superioară & încălzire în partea inferioară” orientați-vă cu ajutorul scalei cu marcajul .
- La reglarea temperaturii pentru funcțiile „Încălzire în partea superioară & încălzire în partea inferioară/ventilație/rotisor” sau „Încălzire în partea superioară & încălzire în partea inferioară/ventilație” orientați-vă cu ajutorul scalei cu marcajul .

Temporizatorul

Cu ajutorul temporizatorului ❹ poate fi reglat timpul de preparare:

- Reglați temporizatorul ❹ pe timpul de preparare dorit. După încheierea perioadei setate este emis un semnal sonor, iar aparatul oprește încălzirea.
În cazul selectării funcției „Încălzire în partea superioară & încălzire în partea inferioară/ventilație/rotisor” se oprește și rotirea rotisorului ❻.

Frigerea și coacerea

- 1) Introduceți tava pentru firimituri ❺ în aparat.
- 2) Scoateți grătarul ❻ și tava de copt ❶ din aparat. Eventual așezați hârtie de copt sau ungeți tava de copt ❶ cu grăsime adecvată.

INDICAȚIE

- ▶ În funcție de preparat poate fi necesară pre-încălzirea cuptorului. Respectați indicațiile din rețeta respectivă. Preîncălzirea este recomandată întotdeauna pentru:
 - durate de coacere foarte scurte,
 - cruste crocante,
 - preparate sensibile care necesită o temperatură constantă, cum ar fi sufleurile.
 - ▶ Dacă nu este necesară preîncălzirea, ignorați pasul 3).
- 3) Așteptați cca 10 minute (în funcție de temperatura reglată) până ce aparatul atinge temperatura dorită:

- Selectați temperatura dorită cu ajutorul butonului de reglare a temperaturii ❷. Se va avea în vedere utilizarea scalei corecte (a se vedea capitolul „Butonul de reglare a temperaturii”).
- Apoi selectați funcția dorită cu ajutorul comutatorului funcțional ❸.

INDICAȚIE

- ▶ În cazul selectării funcției de ventilație, de regulă, se poate renunța la preîncălzirea aparatului.
 - Reglați timpul de preîncălzire cu ajutorul temporizatorului **4** (cca 10 minute).
 - Închideți ușa de sticlă **6**.
- 4) După expirarea timpului așezați produsul pe grătar **15** sau pe tava de copt **11** și împingeți grătarul/tava de copt pe șine. Asigurați-vă că există spațiu suficient între produs și pereții interiori și elementii de încălzire ai aparatului.

INDICAȚIE

- ▶ În cazul preparării pe grătar **15** a alimentelor din care se scurg lichide, așezați tava de copt **11** pe șina de dedesubt. Astfel, lichidele se scurg în tavă, iar aparatul va fi apoi mai ușor de curățat.
- 5) Închideți ușa de sticlă **6** înaintea începerii preparării alimentelor pe grătar sau la cuptor.
- 6) Cu ajutorul temporizatorului **4** reglați timpul dorit de preparare pe grătar sau la cuptor. Timpul maxim de coacere sau prăjire este de 120 de minute.

INDICAȚIE

- ▶ Dacă timpul de preparare a produsului pe grătar sau la cuptor este mai mic de 20 de minute, reglați mai întâi temporizatorul **4** pe 40 de minute și apoi pe timpul dorit.

Becul de control **5** indică faptul că aparatul este pornit. Acum, comutatorul temporizatorului **4** se deplasează în sens invers acelor de ceasornic, spre „OFF - 0”.

După expirarea timpului setat, aparatul se oprește automat, este emis un semnal sonor, iar becul de control **5** se stinge.

INDICAȚIE

Pentru a întrerupe anticipat procesul de încălzire rotiți butonul de reglare a temperaturii **2** până la limită, în sens invers acelor de ceasornic și poziționați temporizatorul **4** pe „OFF - 0”.


- 7) După încălzire scoateți grătarul **13** sau tava de copt **11** cu ajutorul cleștelui **10**.
- 8) Poziționați comutatorul funcțional **3** pe „OFF”.

Frigerea la rotisor

- 1) Introduceți tava pentru firimituri **7** în aparat.
- 2) Scoateți rotisorul **16** din aparat dacă este cazul.
- 3) Împingeți tava de copt **11** pe șina inferioară.
- 4) Fixați produsul de preparat cu ajutorul țepușelor pentru rotisor **15**. Asigurați-vă că produsul poate fi rotit liber în interiorul aparatului, fără a-i atinge marginile. Rotisorul **16** își poate modifica direcția de rotație atunci când produsul întâmpină rezistență.
Cele două decupațe de la rotisor **16** trebuie menținute ușor accesibile, altfel rotisorul **16** nu va putea fi prins cu cleștele **12**.
- 5) Fixați rotisorul **16** în interiorul aparatului (a se vedea capitolul „Utilizarea rotisorului”).
- 6) Închideți ușa de sticlă **6**.

INDICAȚIE

Pentru a întrerupe anticipat procesul de încălzire rotiți butonul de reglare a temperaturii **2** până la limită, în sens invers acelor de ceasornic și poziționați temporizatorul **4** pe „OFF - 0”.

- 7) Reglați temperatura dorită cu ajutorul butonului de reglare a temperaturii **2**.
- 8) Reglați comutatorul funcțional **3** pe „Încălzire în partea superioară & încălzire în partea inferioară/ventilație/rotisor ”. Reglați timpul dorit de frigere cu ajutorul temporizatorului **4**. Aparatul pornește procesul de frigere, iar rotisorul **15** se rotește.

Beclul de control **5** indică faptul că aparatul este pornit. Acum, comutatorul temporizatorului **4** se deplasează în sens invers acelor de ceasornic, spre „OFF - 0”.

După expirarea timpului setat, aparatul se oprește automat, emite un semnal sonor, iar beclul de control **5** se stinge.


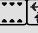
INDICAȚIE

Pentru a întrerupe anticipat procesul de încălzire rotiți butonul de reglare a temperaturii **2** până la limită, în sens invers acelor de ceasornic și poziționați temporizatorul **4** pe „OFF - 0”.

- 9) După frigere scoateți rotisorul **15** cu ajutorul cleștelui **12**.
- 10) Poziționați comutatorul funcțional **3** pe „OFF”.

EXEMPLU DE PUI LA ROTISOR**Ingrediente**


- ◆ Pui pentru rotisor (cca 1,3 kg gata pentru preparare)
- ◆ Condimente (sare, boia)
- ◆ Ulei alimentar

- 1) Condimentați puiul în interior și la exterior cu sare și boia. Ungeți-l la exterior cu ulei alimentar pentru prăjit.
- 2) Introduceți puiul pe frigare și fixați-l cu țepușele pentru rotisor **15**. Asigurați-vă că decupajele din rotisor **16** se mențin libere pentru a putea apuca rotisorul **16** cu cleștele **12**. În funcție de forma puiului poate fi necesară fixarea aripilor și a pulpelor cu sfoară ignifugă, pentru ca acestea să nu lovească marginile în timpul rotirii.
- 3) Împingeți tava de copt **11** pe șina inferioară.
- 4) Preîncălziți cuptorul cca 10 minute cu ajutorul funcției „Încălzire în partea superioară & încălzire în partea inferioară /ventilație”  la 210°C.
- 5) Introduceți puiul pe rotisor cu ajutorul cleștelui **12** în aparat.
- 6) Reglați comutatorul funcțional pe „Încălzire în partea superioară & încălzire în partea inferioară/ventilație/rotisor ” și închideți ușa.
- 7) Reglați temporizatorul **4** la cca 90 de minute. Timpul de preparare poate varia în funcție de mărimea și constituția puiului.
- 8) Din când în când ungeți puiul cu puțin ulei alimentar. Astfel acesta va deveni crocant.
- 9) La încheierea timpului setat, scoateți cu atenție frigerea cu puiul cu ajutorul cleștelui **12**. Desfaceți țepușele **15** și scoateți puiul de pe rotisor **16**.

Curățarea și îngrijirea

PERICOL DE ELECTROCUTARE!

- ▶ Înainte de fiecare curățare scoateți ștecărul din priză! Pericol de electrocutare!

-  Nu introduceți niciodată aparatul în apă sau în alte lichide!

AVERTIZARE! PERICOL DE RĂNIRE!

- ▶ Așteptați până când aparatul s-a răcit înainte de a-l curăța. În caz contrar există pericol de arsuri!

- Se recomandă curățarea aparatului și a accesoriilor imediat după răcirea acestora. Astfel resturile de alimente pot fi îndepărtate mai ușor.

ATENȚIE! PAGUBE MATERIALE!

- ▶ Nu utilizați substanțe de curățare abrazive sau agresive. Acestea pot deteriora suprafața aparatului!
- ▶ Nu spălați componentele aparatului în mașina de spălat vase!
- ▶ Nu curățați interiorul aparatului cu spray pentru cuptor, deoarece reziduurile de pe elementii de încălzire nu se vor mai putea îndepărta.

- Ștergeți aparatul cu o lavetă umedă. Dacă este necesar, adăugați un detergent delicat pe lavetă și ștergeți cu o lavetă umezită cu apă curată. Uscați totul foarte bine.
- Curățați interiorul aparatului și ușa de sticlă **6** cu o lavetă umedă. Dacă este necesar, adăugați un detergent delicat pe lavetă și ștergeți cu o lavetă umezită cu apă curată. Uscați totul foarte bine.
- Curățați cleștele **10/12**, rotisorul **16**, țepușele pentru rotisor **15**, opritoarele **14**, tava de copt **11**, grătarul **13** și tava pentru firimituri **7** în apă caldă cu detergent de vase. După spălare uscați bine toate componentele.

Depozitarea

- Păstrați aparatul și accesoriile acestuia curățate, într-un loc curat, lipsit de praf și uscat.

Remedierea defecțiunilor

Defecțiunea	Cauza	Remedierea
Aparatul nu funcționează.	Ștecărul nu este conectat la rețeaua electrică.	Introduceți ștecărul în priză.
	Priza este defectă.	Introduceți aparatul într-o altă priză.
	Aparatul este defect.	Adresați-vă centrului de service.
Becul de control 5 se aprinde, dar aparatul nu încălzește.	Comutatorul funcțional 3 este poziționat pe OFF.	Rotiți comutatorul funcțional 3 pe funcția dorită.
Timpul de preparare a alimentelor este prea lung.	Ușa de sticlă 6 a fost deschisă de prea multe ori pentru a verifica stadiul de preparare.	Nu deschideți ușa de sticlă 6 mai des decât este neapărat necesar.
	Este setată o temperatură eronată.	Verificați setările temperaturii.
Pe durata utilizării este degajat fum și se înregistrează zgomote.	Pe elementii de încălzire se află reziduuri de detergent sau de alimente.	Scoateți alimentele din aparat și continuați prepararea cu ușa de sticlă 6 deschisă până la dispariția fumului.

Dacă defecțiunile nu pot fi remediate prin măsurile specificate mai sus sau dacă constatați alte tipuri de defecțiuni, adresați-vă centrului nostru de service.

Garanția și service-ul

Pentru acest aparat se acordă o garanție de 3 ani de la data cumpărării. Aparatul a fost produs cu grijă și verificat cu rigurozitate înaintea livrării. Păstrați bonul de casă pentru a dovedi cumpărarea. În caz de defecțiuni în perioada de garanție, contactați telefonic centrul dvs. de service. Numai astfel poate fi asigurată o expediere gratuită a produsului dvs.

Garanția acoperă numai defectele de material sau de fabricație, nu și deteriorările rezultate în urma transportului, piesele de uzură sau deteriorările apărute la componentele fragile, de ex. comutatoare sau acumulatori. Aparatul este destinat numai uzului privat și nu utilizărilor profesionale.

În cazul manevrării abuzive sau necorespunzătoare, al uzului de forță și al intervențiilor care nu au fost realizate de către filiala noastră autorizată de service, garanția își pierde valabilitatea.

Drepturile dvs. legale nu sunt limitate prin această garanție.

Perioada de garanție nu este prelungită după efectuarea reparațiilor realizate în perioada de garanție. Acest lucru este valabil și pentru piesele înlocuite și reparate. Deteriorările și deficiențele prezente deja la cumpărare trebuie semnalate imediat după dezambalare sau în cel târziu două zile de la data cumpărării. Reparațiile necesare după expirarea perioadei de garanție se efectuează contra cost.

RO Service România

Tel.: 0800896637

E-Mail: kompernass@lidl.ro

IAN 102464

Acces linie telefonică directă:

De luni până vineri, între orele 8:00 - 20:00 (CET)

Eliminarea



Nu aruncați aparatul în niciun caz în gunoiul menajer obișnuit. Acest produs face obiectul Directivei europene 2012/19/EU.

Eliminați aparatul prin intermediul unei firme autorizate sau prin intermediul centrului local de colectare a deșeurilor. Respectați reglementările actuale în vigoare. Dacă aveți nelămuriri, contactați serviciul local de eliminare a deșeurilor.



Amalajul este format din materiale ecologice pe care le puteți elimina la centrele locale de eliminare a deșeurilor.

Importator

KOMPERNASS HANDELS GMBH

BURGSTRASSE 21

44867 BOCHUM

GERMANY

www.kompernass.com

Περιεχόμενα

Εισαγωγή	30
Προβλεπόμενη χρήση	30
Παραδοτέος εξοπλισμός	30
Περιγραφή συσκευής	30
Τεχνικά χαρακτηριστικά	30
Υποδείξεις ασφαλείας	31
Τοποθέτηση	34
Χρήση της συσκευής	34
Γυάλινη πόρτα	34
Τοποθέτηση δίσκου συλλογής ψίχουλων	34
Χρήση περιστρεφόμενης σούβλας	35
Χρήση ταψιού/σχάρας	36
Πριν την πρώτη χρήση	36
Χρήση της συσκευής	37
Διακόπτης λειτουργίας	37
Ρυθμιστής θερμοκρασίας	37
Χρονοδιακόπτης	37
Ψήσιμο στη σχάρα και ψήσιμο	37
Ψήσιμο με την περιστρεφόμενη σούβλα	38
Καθαρισμός και φροντίδα	40
Αποθήκευση	40
Διόρθωση σφαλμάτων	41
Εγγύηση και σέρβις	42
Απόρριψη	42
Εισαγωγέας	42

Εισαγωγή

Συγχαρητήρια για την αγορά της νέας σας συσκευής.

Αποφασίσατε έτσι για την απόκτηση ενός προϊόντος υψηλής ποιότητας. Οι οδηγίες χρήσης είναι τμήμα αυτού του προϊόντος. Περιέχουν σημαντικές υποδείξεις για την ασφάλεια, τη χρήση και την απόρριψη. Πριν από τη χρήση του προϊόντος, εξοικειωθείτε με όλες τις υποδείξεις χειρισμού και ασφαλείας. Χρησιμοποιείτε το προϊόν μόνο όπως περιγράφεται και για τους αναφερόμενους τομείς χρήσης. Παραδώστε όλα τα έγγραφα σε περίπτωση παράδοσης του προϊόντος σε τρίτους.

Προβλεπόμενη χρήση

Ο αυτόματος φούρνος με γκριλ εξυπηρετεί αποκλειστικά για το ζέσταμα, το μαγείρεμα και το ψήσιμο φαγητών.

Αυτή η συσκευή προορίζεται αποκλειστικά για χρήση σε νοικοκυριά. Μην τη χρησιμοποιείτε για επαγγελματικό σκοπό.

Κάθε άλλη χρήση ισχύει ως μη σύμφωνη με τους κανονισμούς και μπορεί να οδηγήσει σε υλικές ζημιές ή ακόμη και σε σωματικές βλάβες.

Παραδοτέος εξοπλισμός

- ◆ Φουρνάκι με γκριλ
- ◆ 1 ταψί
- ◆ 1 σχάρα
- ◆ 2 λαβίδες
- ◆ Περιστρεφόμενη σούβλα με 2 τσιμπίδες
- ◆ 1 δίσκος συλλογής ψίχουλων
- ◆ Οδηγίες χρήσης

ΥΠΟΔΕΙΞΗ

Ελέγξτε τον παραδοτέο εξοπλισμό ως προς την πληρότητα και για ζημιές, απευθείας μετά την αποσυσκευασία. Απευθυνθείτε, εάν απαιτείται, στο τμήμα σέρβις.

Περιγραφή συσκευής

Εικόνα Α:

- ❶ Σύστημα μετάδοσης κίνησης
- ❷ Ρυθμιστής θερμοκρασίας
- ❸ Διακόπτης λειτουργίας
- ❹ Χρονοδιακόπτης
- ❺ Λυχνία ελέγχου
- ❻ Γυάλινη πόρτα
- ❼ Τοποθετημένος δίσκος συλλογής ψίχουλων
- ❽ Κάτω θερμομαντικές ράβδοι
- ❾ Υποδοχή περιστρεφόμενης σούβλας

Εικόνα Β:

- ❿ Λαβίδα (για ταψί και σχάρα)
- ⓫ Ταψί
- ⓬ Λαβίδα (για περιστρεφόμενη σούβλα)
- ⓭ Σχάρα
- ⓮ Αναστολέας
- ⓯ Τσιμπίδες περιστρεφόμενης σούβλας
- ⓰ Περιστρεφόμενη σούβλα


Τεχνικά χαρακτηριστικά

Όνομαστική τάση: 220 - 240 V ~,
50/60 Hz

Μέγ. κατανάλωση ισχύος: 1500 W

Υποδείξεις ασφαλείας

ΚΙΝΔΥΝΟΣ ΗΛΕΚΤΡΟΠΛΗΞΙΑΣ!

- ▶ Δεν επιτρέπεται να ανοίγετε ή να επισκευάζετε το περίβλημα της συσκευής. Σε αυτήν την περίπτωση δεν διασφαλίζεται πλέον η ασφαλής λειτουργία και ακυρώνεται η εγγύηση. Η ελαττωματική συσκευή πρέπει να επισκευάζεται μόνο από τον προμηθευτή ή εξουσιοδοτημένο ειδικό προσωπικό.
 - ▶ Τα βύσματα ή τα καλώδια που έχουν υποστεί βλάβη πρέπει να αντικαθίστανται αμέσως από εξουσιοδοτημένο εξειδικευμένο προσωπικό ή από το τμήμα εξυπηρέτησης πελατών, ώστε να αποφεύγονται κίνδυνοι.
 - ▶ Μην αφήνετε υγρά να διεισδύουν μέσα στο περίβλημα της συσκευής. Απαγορεύεται η έκθεση της συσκευής σε υγρασία, καθώς και η χρήση της σε εξωτερικούς χώρους. Επίσης, δεν επιτρέπεται να τοποθετείτε επάνω στη συσκευή αντικείμενα γεμάτα με υγρά, όπως π.χ. βάζα. Υπάρχει κίνδυνος πυρκαγιάς και ηλεκτροπληξίας! Στην περίπτωση που ωστόσο εισχωρήσουν υγρά μέσα στο περίβλημα, αποσυνδέστε αμέσως το βύσμα της συσκευής από την πρίζα και παραδώστε τη συσκευή προς επισκευή.
 - ▶ Ποτέ μην πιάνετε τη συσκευή, το καλώδιο και το βύσμα με βρεγμένα χέρια. Σε αντίθετη περίπτωση υπάρχει κίνδυνος ηλεκτροπληξίας.
-  Ποτέ μη βυθίζετε τη συσκευή σε νερό ή σε άλλα υγρά! Υπάρχει κίνδυνος για τη ζωή εξαιτίας βραχυκυκλώματος, όταν κατά τη λειτουργία υπόλοιπα υγρών καταλήγουν σε ρευματοφόρα μέρη.

⚠ ΠΡΟΕΙΔΟΠΟΙΗΣΗ – ΚΙΝΔΥΝΟΣ ΤΡΑΥΜΑΤΙΣΜΟΥ!

- ▶ Μπορεί να γίνεται χρήση αυτής της συσκευής από παιδιά άνω των 8 ετών, καθώς και από άτομα με μειωμένες φυσικές, αισθητηριακές ή νοητικές ικανότητες ή με έλλειψη εμπειρίας και/ή γνώσεων, εφόσον επιτηρούνται ή έχουν εκπαιδευτεί αναφορικά με την ασφαλή χρήση της συσκευής και έχουν κατανοήσει τους επακόλουθους κινδύνους.
- ▶ Τα παιδιά δεν επιτρέπεται να παίζουν με τη συσκευή.
- ▶ Ο καθαρισμός και η συντήρηση χρήστη δεν επιτρέπεται να διεξάγονται από παιδιά, εκτός εάν είναι άνω των 8 ετών και επιτηρούνται.
- ▶ Παιδιά μικρότερα των 8 ετών πρέπει να παραμένουν μακριά από τη συσκευή και το καλώδιο σύνδεσης.
- ▶ Τοποθετείτε το καλώδιο έτσι ώστε να μην μπορεί να το πατήσει κανείς ή να σκοντάψει σε αυτό.
- ▶ Ποτέ μην αγγίζετε τη γυάλινη πόρτα ή το περίβλημα κατά τη διάρκεια της χρήσης, διότι αυτά μπορεί να είναι πολύ ζεστά. Για το άνοιγμα της γυάλινης πόρτας χρησιμοποιείτε ένα πανί κουζίνας ή κάτι παρόμοιο, ώστε να αποφεύγετε εγκαύματα!
- ▶ Ποτέ μην αγγίζετε τις θερμαντικές ράβδους ή το παράθυρο παρακολούθησης κατά τη λειτουργία ή πριν κρυώσει η συσκευή. Κατά τη λειτουργία ποτέ μην πιάνετε μέσα στο χώρο ψησίματος. Περιμένετε έως ότου κρυώσει η συσκευή. Αλλιώς μπορεί να καείτε.
- ▶ Αφήνετε τη συσκευή να κρυώνει καλά μετά τη χρήση, πριν τη μεταφέρετε.
- ▶ Χρησιμοποιείτε πάντα ειδικά γάντια ή πανιά όταν πιάνετε την καυτή συσκευή!



Προσοχή! Καυτή επιφάνεια!

ΠΡΟΣΟΧΗ – ΥΛΙΚΕΣ ΖΗΜΙΕΣ!

- ▶ Μη χρησιμοποιείτε εξωτερικό χρονοδιακόπτη ή ξεχωριστό τηλεχειριστήριο για να λειτουργήσετε τη συσκευή.
- ▶ Ποτέ μην αφήνετε τη συσκευή ανεπιτήρητη κατά τη διάρκεια της λειτουργίας.
- ▶ Βεβαιώστε ότι η συσκευή, το καλώδιο ή το βύσμα δεν έρχονται σε επαφή με πηγές θερμότητας, όπως μάτια κουζίνας ή φλόγες.
- ▶ Χρησιμοποιείτε τη συσκευή μόνο με τα παραδοτέα γνήσια εξαρτήματα.
- ▶ Μην διπλώνετε ή μαγκώνετε το καλώδιο.
- ▶ Πιάνετε πάντα το βύσμα κατά την αποσύνδεση από την πρίζα, μην τραβάτε ποτέ από το ίδιο το καλώδιο.
- ▶ Κατά τη διάρκεια της λειτουργίας δεν επιτρέπεται να υπάρχουν εύφλεκτα υλικά πολύ κοντά στον αυτόματο φούρνο με γκριλ (π.χ. πετσέτα, πανιά κουζίνας, κλπ.).
- ▶ Ποτέ μη στεγνώνετε υφάσματα ή αντικείμενα επάνω ή μέσα στη συσκευή. Υπάρχει κίνδυνος πυρκαγιάς.

Τοποθέτηση

⚠ ΠΡΟΕΙΔΟΠΟΙΗΣΗ! ΚΙΝΔΥΝΟΣ ΠΥΡΚΑΓΙΑΣ!

- ▶ Ποτέ μην τοποθετείτε τη συσκευή κάτω από εντοιχισμένα ερμάρια ή δίπλα σε κουρτίνες, ράφια ή άλλα εύφλεκτα αντικείμενα.
- ▶ Η απόσταση της συσκευής από κρεμαστά ντουλάπια, ταβάνια, τοίχους και παρόμοια πρέπει να ανέρχεται προς τα επάνω τουλάχιστον 10 εκ. και στο πλάι 5 εκ. Συνεπώς η συσκευή δεν επιτρέπεται να τοποθετείται σε ντουλάπια ή παρόμοια έπιπλα. Αλλιώς δεν είναι δυνατός ο επαρκής αερισμός της συσκευής και η συσκευή θα μπορούσε να προκαλέσει πυρκαγιά ή ζημιά.
- ▶ Τοποθετείτε τη συσκευή μόνο επάνω σε μια θερμανθεκτική βάση. Αλλιώς υπάρχει κίνδυνος πυρκαγιάς και η συσκευή μπορεί να πάθει βλάβη. Η περιοχή κάτω από τον πάτο της συσκευής μπορεί να αποχρωματιστεί και να υποστεί ζημιά. Επίσης, σε περίπτωση μαλακιάς βάσης, μπορεί αυτή η βάση να πιέζεται συνεχώς.

⚠ ΚΙΝΔΥΝΟΣ ΗΛΕΚΤΡΟΠΛΗΞΙΑΣ!

- ▶ Μην τοποθετείτε τη συσκευή πολύ κοντά σε νερό, π.χ. σε νεροχύτες, σκάφες ή σε υγρούς χώρους κελαριών. Αλλιώς υπάρχει κίνδυνος ηλεκτροπληξίας.
- Τοποθετείτε τη συσκευή επάνω σε μια σταθερή, επίπεδη και θερμανθεκτική βάση (π.χ. πλάκες εργασίας από ανοξείδωτο χάλυβα ή πλάκες εργασίας από φυσική πέτρα, όπως γρανίτη). Φροντίστε για επαρκή αερισμό γύρω από τη συσκευή.
- Καθαρίζετε όλα τα εξαρτήματα, όπως περιγράφεται στο Κεφάλαιο «Καθαρισμός και φροντίδα».

Χρήση της συσκευής

Γυάλινη πόρτα

ΠΡΟΣΟΧΗ! ΥΛΙΚΕΣ ΖΗΜΙΕΣ!

- ▶ Μην στηρίζετε στη γυάλινη πόρτα **6**. Μην τοποθετείτε αντικείμενα επάνω στη γυάλινη πόρτα **6**. Αυτό προκαλεί ζημιά στους μεντεσέδες.
- Όταν ετοιμάζετε ιδιαίτερα λιπαρά φαγητά, ίσως δημιουργηθεί πολύς καπνός. Σε αυτή την περίπτωση μην κλείνετε τη γυάλινη πόρτα **6** εντελώς, αλλά αφήνετέ την λίγο ανοιχτή: Η γυάλινη πόρτα **6** διαθέτει μία θέση μανδάλωσης, ώστε να μένει ελαφρώς ανοιχτή: Όταν κλείνετε προσεκτικά τη γυάλινη πόρτα **6**, αυτή ασφαλίζει σε αυτή τη θέση λίγο πριν το κλείσιμο.

Τοποθέτηση δίσκου συλλογής ψίχουλων

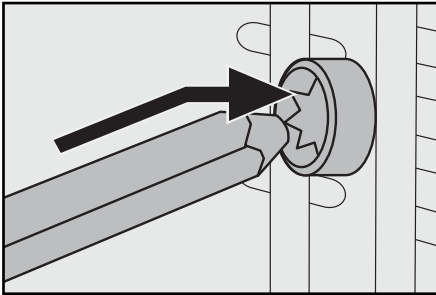
- Ωθήστε το δίσκο συλλογής ψίχουλων **7** κάτω από τις χαμηλές θερμαντικές ράβδους **8**, ώστε να βρίσκεται χαμηλά στον πάτο της συσκευής.

GR

Χρήση περιστρεφόμενης σούβλας

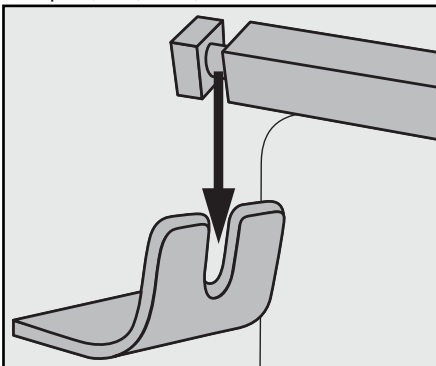
⚠ ΠΡΟΕΙΔΟΠΟΙΗΣΗ! ΚΙΝΔΥΝΟΣ ΤΡΑΥΜΑΤΙΣΜΟΥ!

- ▶ Χρησιμοποιείτε πάντα τη λαβίδα **12** για να τοποθετήσετε ή να αφαιρέσετε την καυτή περιστρεφόμενη σούβλα **16** στη / από τη συσκευή.
- Με τις δύο τσιμπίδες της περιστρεφόμενης σούβλας **16** μπορείτε να στερεώσετε το προϊόν ψησίματος στην περιστρεφόμενη σούβλα **16**. Λύστε τους αναστολείς **14** των τσιμπίδων της περιστρεφόμενης σούβλας **16**, μετατοπίστε τους κατά τέτοιο τρόπο, ώστε το προϊόν ψησίματος να στερεώνεται σταθερά ανάμεσα τους και βιδώστε ξανά καλά τους αναστολείς **14**.
- Σπρώξτε αρχικά το άκρο της περιστρεφόμενης σούβλας **16** χωρίς εγκοπή στο σύστημα μετάδοσης κίνησης **1** (Εικ. 1):



Εικ. 1: Ώθηση περιστρεφόμενης σούβλας **16** στο σύστημα μετάδοσης κίνησης **1**.

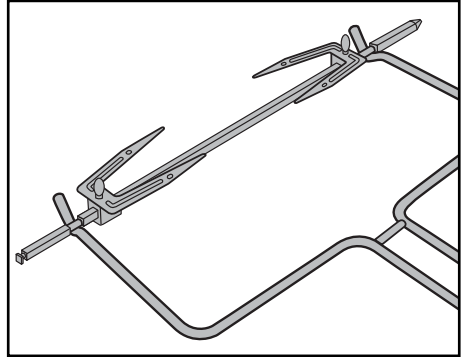
- Στη συνέχεια, τοποθετήστε το άλλο άκρο της περιστρεφόμενης σούβλας **16** με τη βαθιά εγκοπή στην υποδοχή της περιστρεφόμενης σούβλας **9** (Εικ. 2):



Εικ. 2: Τοποθέτηση περιστρεφόμενης σούβλας **16** στην υποδοχή περιστρεφόμενης σούβλας **9**

ΥΠΟΔΕΙΞΗ

- ▶ Σπρώχνετε πάντα το ταψί **11** στη χαμηλότερη ράγα, όταν χρησιμοποιείτε την περιστρεφόμενη σούβλα **16**. Έτσι, τα υγρά που πέφτουν συλλέγονται στο δοχείο.
- Για να απομακρύνετε την καυτή περιστρεφόμενη σούβλα **16**, πιάστε με το άγκιστρο στο άκρο της λαβίδας **12** τις εσοχές της περιστρεφόμενης σούβλας **16** (Εικ. 3):



Εικ. 3: Πιάσιμο της λαβίδας **12** στην περιστρεφόμενη σούβλα **16**

- Σηκώστε πρώτα την αριστερή πλευρά της περιστρεφόμενης σούβλας **16** από την υποδοχή της περιστρεφόμενης σούβλας **9** και στη συνέχεια τραβήξτε την περιστρεφόμενη σούβλα **16** από το σύστημα μετάδοσης κίνησης **1**.

Χρήση τασιού/σχάρας

⚠ ΠΡΟΕΙΔΟΠΟΙΗΣΗ! ΚΙΝΔΥΝΟΣ ΤΡΑΥΜΑΤΙΣΜΟΥ!

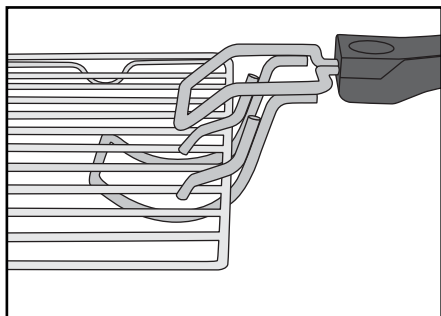
► Χρησιμοποιείτε πάντα τη λαβίδα **10** για να τοποθετήσετε ή να απομακρύνετε το καυτό ταψί **11** /την καυτή σχάρα **13** στη / από τη συσκευή.

■ Σπρώξτε το ταψί **11** /τη σχάρα **13** σε μία από τις 3 ράγες στο χώρο ψησίματος της συσκευής.

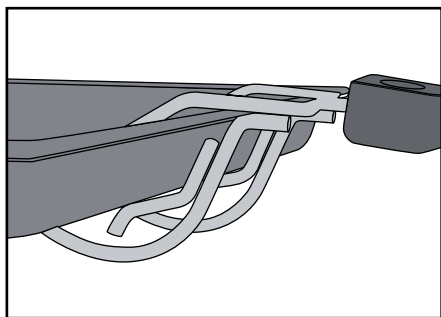
ΠΡΟΣΟΧΗ! ΥΛΙΚΕΣ ΖΗΜΙΕΣ!

► Ποτέ μην τοποθετείτε το ταψί **11** /τη σχάρα **13** απευθείας επάνω στις θερμαντικές ράβδους **8**.

■ Για να μπορέσετε να αφαιρέσετε το καυτό ταψί **11** ή τη σχάρα **13**, πιάστε τη λαβίδα **10** ως εξής:




Εικ. 4: Πιάσιμο της λαβίδας **10** στη σχάρα **13**



Εικ. 5: Πιάσιμο της λαβίδας **10** στο ταψί **11**.

Πριν την πρώτη χρήση

- 1) Βάλτε το βύσμα σε μια πρίζα.
- 2) Γυρίστε τέρμα δεξιά το ρυθμιστή θερμοκρασίας **2** στην υψηλότερη θερμοκρασία.
- 3) Γυρίστε το διακόπτη λειτουργίας **3** στη θέση «Επάνω και κάτω αντίσταση» .
- 4) Ανοίξτε τη γυάλινη πόρτα **6** και αφήστε την ανοιχτή για αυτή τη διαδικασία.
- 5) Απομακρύνετε τυχόν τοποθετημένα εξαρτήματα από το χώρο ψησίματος.
- 6) Γυρίστε το χρονοδιακόπτη **4** στα 20 λεπτά.

ΥΠΟΔΕΙΞΗ

► Κατά το πρώτο ζέσταμα της συσκευής μπορεί να προκύψουν υπολείμματα από τη διαδικασία ετοιμασίας, όπως και μικρή ανάπτυξη καπνού και οσμής. Αυτό είναι φυσιολογικό και πλήρως ακίνδυνο. Φροντίστε για επαρκή αερισμό, για παράδειγμα ανοίξτε ένα παράθυρο.

Η συσκευή απενεργοποιείται αυτόματα μετά από 20 λεπτά.

Εάν επιθυμείτε να διακόψετε πρόωρα τη θερμαντική διαδικασία, γυρίστε το ρυθμιστή θερμοκρασίας **2** τέρμα αριστερά και θέστε το χρονοδιακόπτη **4** στη θέση «OFF - 0».

- 7) Αφήστε τη συσκευή να κρυώσει και καθαρίστε τη, όπως περιγράφεται στο Κεφάλαιο «Καθαρισμός και φροντίδα».

Η συσκευή είναι πλέον έτοιμη για λειτουργία.

Χρήση της συσκευής




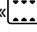



Διακόπτης λειτουργίας

Με το διακόπτη λειτουργίας **4** μπορείτε να ενεργοποιήσετε τη συσκευή, αλλά και να ρυθμίσετε 5 διαφορετικές λειτουργίες:

Σύμβολο	Σημασία
	"Επάνω αντίσταση" π.χ. για ψήσιμο στο φούρνο
	"Κάτω αντίσταση" π.χ. για ψήσιμο γλυκών
	"Επάνω και κάτω αντίσταση" π.χ. για ψήσιμο πίτσας
	"Επάνω και κάτω αντίσταση/ Αέρας/Περιστρεφόμενη σούβλα" π.χ. για ψήσιμο πουλερικών στο γκριλ
	"Επάνω και κάτω αντίσταση/ Αέρας" π.χ. για ζέσταμα ψωμιών
OFF	"OFF" η συσκευή είναι απενερ- γοποιημένη


Ρυθμιστής θερμοκρασίας

Με το ρυθμιστή θερμοκρασίας **2** μπορείτε να ρυθμίσετε την επιθυμητή θερμοκρασία.

- Όταν ρυθμίζετε τη θερμοκρασία για τις λειτουργίες «Επάνω αντίσταση» , «Κάτω αντίσταση»  ή «Επάνω και κάτω αντίσταση» , να προσανατολιζέστε στην κλίμακα που επισημαίνεται με «».
- Όταν ρυθμίζετε τη θερμοκρασία για τις λειτουργίες «Επάνω και κάτω αντίσταση/Αέρας/Περιστρεφόμενη σούβλα»  ή «Επάνω και κάτω αντίσταση/Αέρας» , να προσανατολιζέστε στην κλίμακα που επισημαίνεται με «».

Χρονοδιακόπτης

Με τη βοήθεια του χρονοδιακόπτη **4** μπορείτε να ρυθμίσετε το χρόνο ψησίματος:

- Θέστε το χρονοδιακόπτη **4** στον επιθυμητό χρόνο ψησίματος. Με το πέρας του ρυθμισμένου χρόνου ακούγεται ένας ήχος και η συσκευή σταματά τη θέρμανση. Εάν έχει επιλεγεί η λειτουργία «Επάνω και κάτω αντίσταση/Αέρας/Περιστρεφόμενη σούβλα» , σταματάει και η περιστροφή της περιστρεφόμενης σούβλας **10**.

Ψήσιμο στη σχάρα και ψήσιμο

- 1) Τοποθετήστε το δίσκο συλλογής ψίχουλων **7** στη συσκευή.
- 2) Απομακρύνετε τη σχάρα **13** και το ταψί **11** από τη συσκευή. Τοποθετήστε σε αυτά εάν απαιτείται χαρτί ψησίματος ή περάστε το ταψί **11** με κατάλληλο για ψήσιμο λίπος.

ΥΠΟΔΕΙΞΗ

- ▶ Αναλόγως του πιάτου, ο φούρνος πρέπει να προθερμαίνεται. Τηρείτε τις οδηγίες της εκάστοτε συνταγής. Η προθέρμανση ενδείκνυται σε κάθε περίπτωση για:
 - πολύ σύντομους χρόνους ψησίματος,
 - τραγανιστές κόρες,
 - ευαίσθητα πιάτα που απαιτούν σταθερή θερμοκρασία, όπως π.χ. σουφλέ.
 - ▶ Εάν δεν απαιτείται προθέρμανση, υπερπηδήστε το βήμα 3).
- 3) Αφήστε τη συσκευή να ζεσταθεί για περ. 10 λεπτά (ανάλογα με τη ρύθμιση θερμοκρασίας) στην επιθυμητή θερμοκρασία:
 - Επιλέξτε την επιθυμητή θερμοκρασία με το ρυθμιστή θερμοκρασίας **2**. Φροντίζετε να χρησιμοποιείτε τη σωστή κλίμακα (βλ. Κεφάλαιο «Ρυθμιστής θερμοκρασίας»).
 - Στη συνέχεια επιλέξτε με το διακόπτη λειτουργίας **4** την επιθυμητή λειτουργία.

ΥΠΟΔΕΙΞΗ

► Στην περίπτωση που επιλέξετε τη λειτουργία με κυκλοφορία αέρα, μπορείτε κατά κανόνα να αποφύγετε την προθέρμανση του χώρου ψησίματος.

- Ρυθμίστε με το χρονοδιακόπτη **4** το χρόνο προθέρμανσης (περ. 10 λεπτά).
 - Κλείστε τη γυάλινη πόρτα **6**.
- 4) Μόλις περάσει ο χρόνος, τοποθετήστε το προϊόν ψησίματος επάνω στη σχάρα **13** ή στο ταψί **11** και ωθήστε το σε μια από τις ράγες. Φροντίστε για επαρκή απόσταση του προϊόντος ψησίματος από τα πλευρικά τοιχώματα και τις θερμαντικές ράβδους της συσκευής.

ΥΠΟΔΕΙΞΗ

► Όταν ετοιμάζετε προϊόν ψησίματος που σάζει πολύ επάνω στη σχάρα **13**, σπρώξτε το ταψί **11** στη χαμηλότερη ράγα. Έτσι π.χ. λίπος που σάζει προς τα κάτω συλλέγεται στο δοχείο και η συσκευή αργότερα καθαρίζεται πιο εύκολα.

- 5) Κλείστε τη γυάλινη πόρτα **6**, πριν εκκινήσετε τη διαδικασία ψησίματος.
- 6) Ρυθμίστε με το χρονοδιακόπτη **4** τον επιθυμητό χρόνο ψησίματος. Ο μέγιστος χρόνος ψησίματος ανέρχεται σε 120 λεπτά.

ΥΠΟΔΕΙΞΗ

► Εάν ο χρόνος ψησίματος του προϊόντος ψησίματος είναι μικρότερος από 20 λεπτά, θέστε το χρονοδιακόπτη **4** πρώτα στα 40 λεπτά και στη συνέχεια πίσω στον επιθυμητό χρόνο ψησίματος.

Η λυχνία ελέγχου **5** δείχνει ότι η συσκευή είναι ενεργοποιημένη. Ο διακόπτης του χρονοδιακόπτη **4** κινείται τώρα προς τα αριστερά, στη θέση «OFF - 0».

Η συσκευή απενεργοποιείται αυτόματα μετά το ρυθμισμένο χρόνο, ακούγεται ένας ήχος και η λυχνία ελέγχου **5** σβήνει.

ΥΠΟΔΕΙΞΗ

Εάν επιθυμείτε να διακόψετε πρόωρα τη θερμαντική διαδικασία, γυρίστε το ρυθμιστή θερμοκρασίας **2** τέρμα αριστερά και θέστε το χρονοδιακόπτη **4** στη θέση "OFF - 0".

- 7) Μετά τη θερμαντική διαδικασία βγάλτε τη σχάρα **13** ή το ταψί **11** με τη βοήθεια της λαβίδας **10**.
- 8) Θέστε το διακόπτη λειτουργίας **3** στη θέση «OFF».


Ψήσιμο με την περιστρεφόμενη σούβλα

- 1) Τοποθετήστε το δίσκο συλλογής ψίχουλων **7** στη συσκευή.
- 2) Σε περίπτωση που έχει τοποθετηθεί, βγάλτε την περιστρεφόμενη σούβλα **16** από τη συσκευή.
- 3) Σπρώξτε το ταψί **11** στη χαμηλότερη ράγα.
- 4) Στερεώστε το προϊόν ψησίματος με τις τσιμπίδες της περιστρεφόμενης σούβλας **15**. Φροντίστε ώστε το προϊόν ψησίματος να μπορεί να περιστρέφεται ελεύθερα μέσα στο χώρο ψησίματος, χωρίς να προσκρούει σε αυτόν. Υπάρχει πιθανότητα η περιστρεφόμενη σούβλα **16** να αλλάξει τη φορά περιστροφής, εάν το προϊόν ψησίματος προσκρούσει σε αντίσταση. Οι δύο εσοχές που βρίσκονται στην περιστρεφόμενη σούβλα **16** πρέπει να είναι ελεύθερα προσβάσιμες, ειδάλλως η περιστρεφόμενη σούβλα **16** δεν μπορεί να πιαστεί με τη λαβίδα **12**.
- 5) Στερεώστε την περιστρεφόμενη σούβλα **16** στο χώρο ψησίματος (βλ. Κεφάλαιο «Χρήση περιστρεφόμενης σούβλας»).
- 6) Κλείστε τη γυάλινη πόρτα **6**.

GR

ΥΠΟΔΕΙΞΗ

Εάν επιθυμείτε να διακόψετε πρόωρα τη θερμοκρασιακή διαδικασία, γυρίστε το ρυθμιστή θερμοκρασίας **2** τέρμα αριστερά και θέστε το χρονοδιακόπτη **4** στη θέση "OFF - 0".

- 7) Ρυθμίστε στο ρυθμιστή θερμοκρασίας **2** την επιθυμητή θερμοκρασία.
- 8) Θέστε το διακόπτη λειτουργίας **3** στη θέση «Επάνω και κάτω αντίσταση/Αέρας/Περιστρεφόμενη σούβλα ». Ρυθμίστε στο χρονοδιακόπτη **4** τον επιθυμητό χρόνο ψησίματος. Η συσκευή αρχίζει τη διαδικασία ψησίματος και η περιστρεφόμενη σούβλα **15** περιστρέφεται.

Η λυχνία ελέγχου **5** δείχνει ότι η συσκευή είναι ενεργοποιημένη. Ο διακόπτης του χρονοδιακόπτη **4** κινείται τώρα προς τα αριστερά, στη θέση «OFF - 0».

Η συσκευή απενεργοποιείται αυτόματα μετά το ρυθμισμένο χρόνο, ένας ήχος ακούγεται και η λυχνία ελέγχου **5** σβήνει.


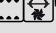
ΥΠΟΔΕΙΞΗ

Εάν επιθυμείτε να διακόψετε πρόωρα τη θερμοκρασιακή διαδικασία, γυρίστε το ρυθμιστή θερμοκρασίας **2** τέρμα αριστερά και θέστε το χρονοδιακόπτη **4** στη θέση "OFF - 0".

- 9) Μετά τη διαδικασία ψησίματος, βγάλτε την περιστρεφόμενη σούβλα **15** με τη βοήθεια της λαβίδας **12**.
- 10) Θέστε το διακόπτη λειτουργίας **3** στη θέση «OFF».

ΠΑΡΑΔΕΙΓΜΑ ΚΟΤΟΠΟΥΛΟ ΣΤΗ ΣΧΑΡΑ**Συστατικά**


- ◆ Κοτόπουλο (περ. 1,3 κιλά, καθαρισμένο από εντόσθια)
- ◆ Μπαχαρικά (αλάτι, πιπεριά)
- ◆ Μαγειρικό λάδι

- 1) Πασπαλιζετε το κοτόπουλο μέσα και έξω με αλάτι και τη σκόνη πιπεριάς. Απλώνετε εξωτερικά θερμοανθεκτικό μαγειρικό λάδι.
- 2) Σπρώχνετε το κοτόπουλο στη σούβλα και το στερεώνετε με τις τσιμπίδες περιστρεφόμενης σούβλας **15**. Φροντίστε ώστε οι εσοχές που βρίσκονται στην περιστρεφόμενη σούβλα **15** να μένουν ελεύθερες, ώστε να μπορείτε να πιάσετε την περιστρεφόμενη σούβλα **15** με τη βοήθεια της λαβίδας **12**. Αναλόγως του σχήματος του κοτόπουλου, μπορεί να χρειάζεται να στερεώσετε τις φτερούγες και τα μπούτια με ένα πυρίμαχο σχοινί, ώστε να μην χτυπούν κατά την περιστροφή.
- 3) Ωθήστε το ταψί **11** στη χαμηλότερη ράγα.
- 4) Προθερμάνετε τη συσκευή για περ. 10 λεπτά με τη λειτουργία "Επάνω και κάτω αντίσταση/Αέρας"  περ. στους 210°C.
- 5) Τοποθετήστε το κοτόπουλο στην περιστρεφόμενη σούβλα με τη βοήθεια της λαβίδας **12** στη συσκευή.
- 6) Θέστε το διακόπτη λειτουργίας στη θέση "Επάνω και κάτω αντίσταση/Αέρας/Περιστρεφόμενη σούβλα " και κλείστε την πόρτα.
- 7) Θέστε το χρονοδιακόπτη **4** περ. στα 90 λεπτά. Ο χρόνος ψησίματος μπορεί να διαφέρει αναλόγως του μεγέθους και της υφής του κοτόπουλου.
- 8) Πασπαλιζετε ανά διαστήματα το κοτόπουλο με λίγο μαγειρικό λάδι. Έτσι, θα γίνει τραγανό.
- 9) Μόλις περάσει ο ρυθμισμένος χρόνος, βγάλτε προσεκτικά τη σούβλα με το κοτόπουλο με τη βοήθεια της λαβίδας **12**. Λύστε τις τσιμπίδες της περιστρεφόμενης σούβλας **15** και βγάλτε το κοτόπουλο από την περιστρεφόμενη σούβλα **15**.

Καθαρισμός και φροντίδα

ΚΙΝΔΥΝΟΣ ΗΛΕΚΤΡΟΠΛΗΞΙΑΣ!

- ▶ Πριν από κάθε καθαρισμό αποσυνδέετε το βύσμα από την πρίζα! Υπάρχει κίνδυνος ηλεκτροπληξίας!

 Ποτέ μη βυθίζετε τη συσκευή σε νερό ή σε άλλα υγρά!

ΠΡΟΕΙΔΟΠΟΙΗΣΗ! ΚΙΝΔΥΝΟΣ ΤΡΑΥΜΑΤΙΣΜΟΥ!

- ▶ Αφήνετε πάντα πρώτα τη συσκευή να κρυώνει, προτού την καθαρίσετε. Σε αντίθετη περίπτωση υπάρχει κίνδυνος εγκαύματος!

- Κατά προτίμηση καθαρίζετε τη συσκευή και τα εξαρτήματα αμέσως μόλις κρυώσουν. Έτσι, υπολείμματα τροφίμων απομακρύνονται ευκολότερα.

ΠΡΟΣΟΧΗ! ΥΛΙΚΕΣ ΖΗΜΙΕΣ!

- ▶ Μη χρησιμοποιείτε τριβικά ή επιθετικά απορρυπαντικά. Αυτά μπορεί να καταστρέψουν την επιφάνεια!
- ▶ Μην καθαρίζετε τα μέρη της συσκευής στο πλυντήριο πιάτων!
- ▶ Μην καθαρίζετε το χώρο ψησίματος με σπρέι για φούρνους, διότι τα υπολείμματα στις θερμομαντικές ράβδους δεν θα αφαιρούνται πλέον.

- Σκουπίζετε τη συσκευή με ένα νωπό πανί. Εάν χρειάζεται, προσθέτετε ήπιο απορρυπαντικό στο πανί και ξεπλένετε με πανί βρεγμένο με καθαρό νερό. Στεγνώνετε τα όλα καλά.
- Καθαρίζετε το χώρο ψησίματος και τη γυάλινη πόρτα **6** με ένα νωπό πανί. Εάν χρειάζεται, προσθέτετε ήπιο απορρυπαντικό στο πανί και ξεπλένετε με πανί βρεγμένο με καθαρό νερό. Στεγνώνετε τα όλα καλά.
- Καθαρίζετε τις λαβίδες **10/12**, την περιστρεφόμενη σούβλα **16**, τις τσιμπίδες περιστρεφόμενης σούβλας **15**, τους αναστολείς **14**, το ταψί **11**, τη σχάρα **13** και το δίσκο συλλογής ψιχουλών **7** σε ζεστό νερό. Μετά το πλύσιμο στεγνώνετε καλά όλα τα εξαρτήματα.

Αποθήκευση

- Φυλάξτε την καθαρή συσκευή και τα εξαρτήματά της σε έναν καθαρό και στεγνό χώρο χωρίς σκόνη.

Διόρθωση σφαλμάτων

Σφάλμα	Αιτία	Λύση
Η συσκευή δε λειτουργεί.	Το βύσμα δεν είναι συνδεδεμένο στην πρίζα.	Συνδέστε το βύσμα σε μια πρίζα.
	Η πρίζα είναι ελαττωματική.	Χρησιμοποιήστε μια άλλη πρίζα.
	Η συσκευή είναι ελαττωματική.	Απευθυνθείτε στο τμήμα σέρβις.
Η λυχνία ελέγχου ❸ ανάβει, αλλά η συσκευή δεν θερμαίνει.	Ο διακόπτης λειτουργίας ❹ είναι στη θέση OFF.	Γυρίστε το διακόπτη λειτουργίας ❹ στην επιθυμητή λειτουργία.
Ο χρόνος ψησίματος των φαγητών φαίνεται πολύ μεγάλος.	Η γυάλινη πόρτα ❺ άνοιξε πολλές φορές, για να ελεγχθεί η πρόοδος του ψησίματος.	Μην ανοίγετε τη γυάλινη πόρτα ❺ συχνότερα από ότι χρειάζεται.
	Έχει ρυθμιστεί λάθος θερμοκρασία.	Ελέγξτε τις ρυθμίσεις θερμοκρασίας.
Κατά τη χρήση εμφανίζεται καπνός και θόρυβος.	Στις θερμαντικές ράβδους υπάρχουν υπολείμματα από τον καθαρισμό, καθώς και υπολείμματα φαγητών.	Απομακρύνετε τα φαγητά από τη συσκευή και συνεχίστε τη διαδικασία ψησίματος με ανοιχτή τη γυάλινη πόρτα ❺, έως ότου εξαφανιστεί ο καπνός.

Εάν οι βλάβες δεν διορθώνονται με τις ανωτέρω αναφερόμενες προτάσεις αντιμετώπισης σφαλμάτων, ή εάν εξακριβώσετε άλλα είδη βλαβών, απευθυνθείτε στο τμήμα σέρβις μας.

Εγγύηση και σέρβις

Η παρούσα συσκευή διαθέτει 3 χρόνια εγγύηση από την ημερομηνία αγοράς. Η συσκευή κατασκευάστηκε και ελέγχθηκε προσεκτικά πριν από την αποστολή. Παρακαλούμε φυλάξτε την απόδειξη ταμείου ως απόδειξη για την αγορά. Σε περίπτωση απαίτησης εγγύησης επικοινωνήστε τηλεφωνικώς με το τμήμα σέρβις. Μόνο έτσι μπορεί να εξασφαλιστεί δωρεάν αποστολή του εμπορεύματός σας.

Η απόδοση εγγύησης ισχύει μόνο για σφάλματα υλικού ή κατασκευής, όχι όμως για ζημιές από τη μεταφορά, για εξαρτήματα φθοράς ή για βλάβες σε εύθραυστα εξαρτήματα, π.χ. διακόπτες ή συσσωρευτές. Το προϊόν προορίζεται μόνο για ιδιωτική και όχι για επαγγελματική χρήση.

Σε περίπτωση κακής μεταχείρισης και ακατάλληλης χρήσης, χρήσης βίας και παρεμβάσεων, οι οποίες δεν διεξήχθησαν από το εξουσιοδοτημένο μας τμήμα σέρβις, η εγγύηση παύει να ισχύει.

Τα νομικά σας δικαιώματα δεν περιορίζονται μέσω αυτής της εγγύησης.

Ο χρόνος εγγύησης δεν επιμηκύνεται μέσω της εγγύησης. Αυτό ισχύει και για εξαρτήματα, τα οποία έχουν αντικατασταθεί και επισκευαστεί. Ενδεχόμενες ήδη υπάρχουσες ζημιές και ελλείψεις κατά την αγορά πρέπει να γνωστοποιηθούν αμέσως μετά το άνοιγμα της συσκευασίας, το αργότερο ωστόσο δύο ημέρες μετά την ημερομηνία αγοράς. Μετά τη λήξη του χρόνου εγγύησης, τυχόν εμφανιζόμενες επισκευές χρεώνονται.

GR Σέρβις Ελλάδα

Tel.: 801 5000 019 (0,03 EUR/Min.)

E-Mail: kompernass@lidl.gr

IAN 102464

Τηλεφωνικό κέντρο (Hotline): Δευτέρα έως Παρασκευή, 8:00 – 20:00 (CET)

Απόρριψη



Σε καμία περίπτωση μην απορρίψετε τη συσκευή στα οικιακά απορρίμματα. Αυτό το προϊόν υπόκειται στην Ευρωπαϊκή Οδηγία 2012/19/EU.

Απορρίψτε τη συσκευή μέσω μιας εγκεκριμένης επιχείρησης απόρριψης ή μέσω της κοινοτικής επιχείρησης απόρριψης. Τηρείτε τους ισχύοντες κανονισμούς. Σε περίπτωση αμφιβολιών επικοινωνείτε με την αρμόδια επιχείρηση απόρριψης.



Η συσκευασία αποτελείται από φιλικά προς το περιβάλλον υλικά, τα οποία μπορείτε να απορρίψετε μέσω των τοπικών σημείων ανακύκλωσης.

Εισαγωγέας

KOMPERNASS HANDELS GMBH

BURGSTRASSE 21

44867 BOCHUM

GERMANY

www.kompernass.com

Inhaltsverzeichnis

Einleitung44
Bestimmungsgemäßer Gebrauch44
Lieferumfang44
Gerätebeschreibung44
Technische Daten44
Sicherheitshinweise45
Aufstellen48
Benutzung des Gerätes48
Glastür	48
Krümblech einlegen	48
Drehspieß benutzen	49
Backblech/Gitterrost benutzen	50
Vor dem ersten Gebrauch50
Bedienen des Gerätes51
Funktionsschalter	51
Temperaturregler	51
Timer	51
Grillen und Backen51
Grillen mit Drehspieß52
Reinigung und Pflege54
Aufbewahrung54
Fehlerbehebung55
Garantie und Service56
Entsorgung56
Importeur56

Einleitung

Herzlichen Glückwunsch zum Kauf Ihres neuen Gerätes.

Sie haben sich damit für ein hochwertiges Produkt entschieden. Die Bedienungsanleitung ist Bestandteil dieses Produkts. Sie enthält wichtige Hinweise für Sicherheit, Gebrauch und Entsorgung. Machen Sie sich vor der Benutzung des Produkts mit allen Bedien- und Sicherheitshinweisen vertraut. Benutzen Sie das Produkt nur wie beschrieben und für die angegebenen Einsatzbereiche. Händigen Sie alle Unterlagen bei Weitergabe des Produkts an Dritte mit aus.

Bestimmungsgemäßer Gebrauch

Der Grill- und Backautomat dient ausschließlich dem Erhitzen, Garen und Grillen von Speisen.

Dieses Gerät ist ausschließlich für die Benutzung in privaten Haushalten bestimmt. Nutzen Sie es nicht gewerblich.

Jede andere Verwendung gilt als nicht bestimmungsgemäß und kann zu Sachschäden oder sogar zu Personenschäden führen.

Lieferumfang

- ◆ Grill- und Backautomat
- ◆ 1 Backblech
- ◆ 1 Gitterrost
- ◆ 2 Zangen
- ◆ Drehspieß mit 2 Klemmen
- ◆ 1 Krümelblech
- ◆ Bedienungsanleitung

HINWEIS

Kontrollieren Sie den Lieferumfang direkt nach dem Auspacken auf Vollständigkeit und Beschädigungen. Wenden Sie sich, wenn nötig, an den Service.

Gerätebeschreibung

Abbildung A:

- ❶ Antrieb
- ❷ Temperaturregler
- ❸ Funktionsschalter
- ❹ Timer
- ❺ Kontrollleuchte
- ❻ Glastür
- ❼ eingesetztes Krümelblech
- ❽ untere Heizstäbe
- ❾ Drehspießaufnahme

Abbildung B:

- ❿ Zange (für Backblech und Gitterrost)
- ⓫ Backblech
- ⓬ Zange (für Drehspieß)
- ⓭ Gitterrost
- ⓮ Feststeller
- ⓯ Drehspießklemmen
- ⓰ Drehspieß


Technische Daten

Nennspannung: 220 - 240 V ~,
50/60 Hz

max. Leistungsaufnahme: 1500 W

Sicherheitshinweise

GEFAHR – ELEKTRISCHER SCHLAG!

- ▶ Sie dürfen das Gerätegehäuse des Gerätes nicht öffnen oder reparieren. In diesem Falle ist die Sicherheit nicht gegeben und die Gewährleistung erlischt. Lassen Sie ein defektes Gerät nur vom Händler oder autorisiertem Fachpersonal reparieren.
 - ▶ Lassen Sie beschädigte Netzstecker oder Netzkabel sofort von autorisiertem Fachpersonal oder dem Kundenservice austauschen, um Gefährdungen zu vermeiden.
 - ▶ Lassen Sie keine Flüssigkeiten in das Gerätegehäuse gelangen. Sie dürfen das Gerät keiner Feuchtigkeit aussetzen und nicht im Freien benutzen. Darüber hinaus dürfen Sie keine mit Flüssigkeiten gefüllten Gegenstände, wie z. B. Vasen auf dem Gerät abstellen. Es besteht Brandgefahr und Gefahr eines elektrischen Schlags! Falls doch einmal Flüssigkeit in das Gerätegehäuse gelangt, ziehen Sie sofort den Netzstecker des Geräts aus der Netzsteckdose und lassen Sie es reparieren.
 - ▶ Fassen Sie Gerät, Netzkabel und -stecker nie mit nassen Händen an. Es besteht sonst die Gefahr eines elektrischen Schlags.
-  Tauchen Sie das Gerät niemals in Wasser oder andere Flüssigkeiten! Hier kann Lebensgefahr durch elektrischen Schlag entstehen, wenn im Betrieb Flüssigkeitsreste auf spannungsführende Teile gelangen.

⚠️ WARNUNG – VERLETZUNGSGEFAHR!

- ▶ Dieses Gerät kann von Kindern ab 8 Jahren sowie von Personen mit reduzierten physischen, sensorischen oder mentalen Fähigkeiten oder Mangel an Erfahrung und/oder Wissen benutzt werden, wenn sie beaufsichtigt oder bezüglich des sicheren Gebrauchs des Gerätes unterwiesen wurden und die daraus resultierenden Gefahren verstanden haben.
- ▶ Kinder dürfen nicht mit dem Gerät spielen.
- ▶ Reinigung und Benutzer-Wartung dürfen nicht durch Kinder durchgeführt werden, es sei denn, sie sind älter als 8 Jahre und beaufsichtigt.
- ▶ Kinder jünger als 8 Jahre sind von Gerät und Anschlussleitung fernzuhalten.
- ▶ Verlegen Sie das Netzkabel so, dass niemand darauf treten oder darüber stolpern kann.
- ▶ Berühren Sie niemals die Glastür oder das Gehäuse während der Benutzung, da diese sehr heiß werden. Verwenden Sie zum Öffnen der Glastür einen Topflappen o.ä., um Verbrennungen zu vermeiden!
- ▶ Berühren Sie niemals die Heizstäbe oder das Sichtfenster während des Betriebs oder bevor das Gerät abgekühlt ist. Fassen Sie während des Betriebs nicht in den Garraum. Warten Sie bis das Gerät abgekühlt ist. Sie könnten sich andernfalls verbrennen.
- ▶ Lassen Sie das Gerät nach dem Gebrauch erst abkühlen, bevor Sie es transportieren.
- ▶ Benutzen Sie immer Topfhandschuhe oder Topflappen, wenn Sie mit dem heißen Gerät hantieren!



Vorsicht! Heiße Oberfläche!

ACHTUNG – SACHSCHADEN!

- ▶ Benutzen Sie keine externe Zeitschaltuhr oder ein separates Fernwirsystem, um das Gerät zu betreiben.
- ▶ Lassen Sie das Gerät während des Betriebes niemals unbeaufsichtigt.
- ▶ Stellen Sie sicher, dass das Gerät, das Netzkabel oder der Netzstecker nicht mit heißen Quellen, wie Kochplatten oder offenen Flammen, in Berührung kommen.
- ▶ Betreiben Sie das Gerät ausschließlich mit dem mitgelieferten Originalzubehör.
- ▶ Knicken oder quetschen Sie das Netzkabel nicht.
- ▶ Ziehen Sie das Netzkabel stets am Stecker aus der Steckdose, ziehen Sie nicht am Kabel selbst.
- ▶ Es dürfen sich während des Betriebs keine leicht brennbaren Materialien in unmittelbarer Umgebung des Grill- und Backautomaten befinden (z. B. Geschirrhandtuch, Topflappen etc.).
- ▶ Trocknen Sie niemals Textilien oder Gegenstände auf, über oder im Gerät. Es besteht Brandgefahr.

Aufstellen

⚠️ WARNUNG! BRANDGEFAHR!

- ▶ Stellen Sie das Gerät niemals unter Hängeschränke oder neben Gardinen, Schrankwänden oder anderen entzündlichen Gegenständen.
- ▶ Der Abstand des Gerätes zu Hängeschränken, Decken, Wänden oder ähnlichem muss nach oben hin mindestens 10 cm und seitlich jeweils 5 cm betragen. Daher darf das Gerät z. B. nicht in Schränke o. ä. gestellt werden. Andernfalls ist keine ausreichende Belüftung des Gerätes möglich und es könnte einen Brand verursachen oder beschädigt werden.
- ▶ Stellen Sie das Gerät nur auf eine hitzebeständige Unterlage. Andernfalls besteht Brandgefahr und das Gerät kann beschädigt werden. Der Bereich unter dem Geräteboden kann sich verfärben und beschädigt werden. Darüber hinaus können bei einem weichen Untergrund dauerhafte Abdrücke in der Unterlage entstehen.

⚠️ GEFAHR - ELEKTRISCHER SCHLAG!

- ▶ Stellen Sie das Gerät nicht in unmittelbarer Nähe von Wasser auf, z. B. an Spülbecken, Waschwannen oder in feuchten Kellerräumen. Andernfalls besteht die Gefahr eines Stromschlags.
- Stellen Sie das Gerät auf einem festen, ebenen und hitzebeständigen Untergrund (z.B. Edelstahlarbeitsplatten oder Natursteinarbeitsplatten wie Granit) auf. Sorgen Sie für ausreichende Belüftung rund um das Gerät.
- Reinigen Sie alle Teile wie im Kapitel „Reinigung und Pflege“ beschrieben.

Benutzung des Gerätes

Glastür

ACHTUNG! SACHSCHADEN!

- ▶ Stützen Sie sich nicht auf der Glastür **6** ab. Stellen Sie keine Gegenstände auf die Glastür **6**. Das führt zu Beschädigungen an den Scharnieren.
 - Wenn Sie besonders fetthaltige Speisen zubereiten, kann es zu erhöhter Raumentwicklung kommen. Schließen Sie in diesem Fall die Glastür **6** nicht ganz, sondern lassen Sie sie einen Spalt breit offen stehen:
Die Glastür **6** hat eine Raststellung, so dass diese einen Spalt breit offen steht: Wenn Sie die Glastür **6** vorsichtig zuklappen, rastet diese kurz vor dem Schließen in dieser Stellung ein.
- ### Krümellech einlegen
- Schieben Sie das Krümellech **7** unter die unteren Heizstäbe **8**, so dass es flach auf dem Geräteboden aufliegt.

Drehspieß benutzen

⚠️ WARNUNG! VERLETZUNGSGEFAHR!

► Benutzen Sie immer die Zange **12**, um den heißen Drehspieß **16** in das Gerät einzusetzen oder herauszunehmen.

- Mit den beiden Drehspießklemmen **15** können Sie das Grillgut am Drehspieß **16** fixieren. Lösen Sie die Feststeller **14** an den Drehspießklemmen **15**, verschieben Sie diese so, dass das Grillgut dazwischen fest geklemmt wird und schrauben Sie die Feststeller **14** wieder fest.
- Schieben Sie zuerst das Ende des Drehspießes **16** ohne Nut in den Antrieb **1** (Abb. 1):

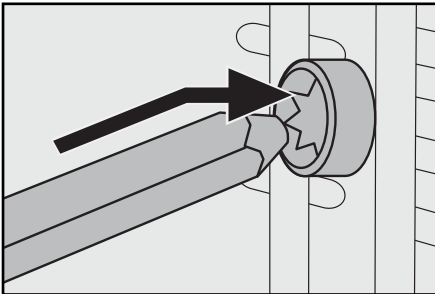


Abb. 1: Drehspieß **16** in den Antrieb **1** schieben.

- Legen Sie dann das andere Ende des Drehspießes **16** mit der tiefen Nut in die Drehspießaufnahme **9** (Abb. 2):

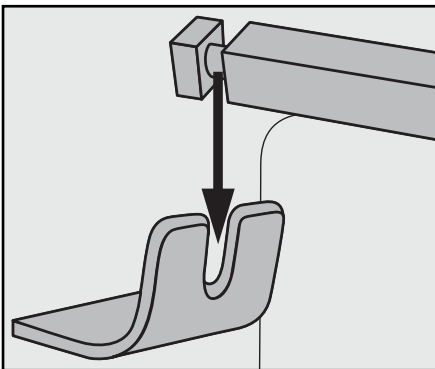


Abb. 2: Drehspieß **16** in die Drehspießaufnahme **9** legen

HINWEIS

- Schieben Sie immer das Backblech **11** in die untere Schiene, wenn Sie den Drehspieß **16** verwenden. So werden herunterfallende Flüssigkeiten aufgefangen.
- Um den heißen Drehspieß **16** zu entnehmen greifen Sie mit den Haken am Ende der Zange **12** in die Vertiefungen am Drehspieß **16** (Abb. 3):

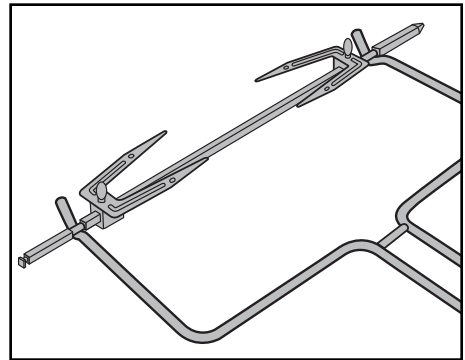


Abb. 3: Einhaken der Zange **12** beim Drehspieß **16**

- Heben sie zuerst die linke Seite des Drehspießes **16** aus der Drehspießaufnahme **9** und ziehen Sie dann den Drehspieß **16** aus dem Antrieb **1**.

Backblech/Gitterrost benutzen

⚠️ **WARNUNG! VERLETZUNGSGEFAHR!**

▶ Benutzen Sie immer die Zange **10**, um das heiße Backblech **11**/den heißen Gitterrost **13** in das Gerät einzusetzen oder herauszunehmen.

■ Schieben Sie das Backblech **11**/den Gitterrost **13** in eine der 3 Schienen im Garraum des Gerätes.

ACHTUNG! SACHSCHADEN!

▶ Legen Sie das Backblech **11**/den Gitterrost **13** niemals direkt auf die Heizstäbe **8**.

■ Um das heiße Backblech **11** oder den Gitterrost **13** entnehmen zu können, haken Sie die Zange **10** folgendermaßen ein:

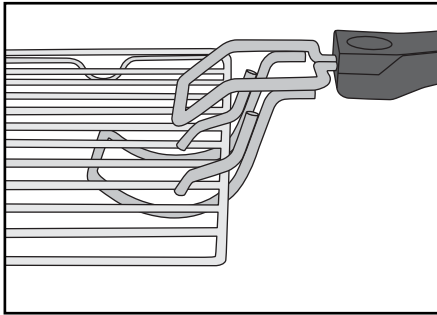


Abb. 4: Einhängen der Zange **10** beim Gitterrost **13**

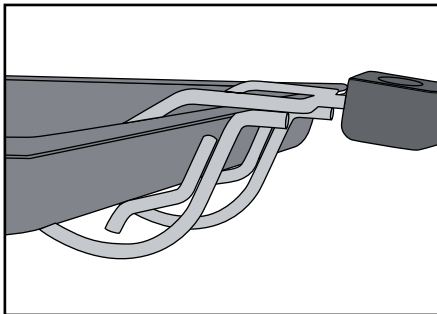



Abb. 5: Einhängen der Zange **10** beim Backblech **11**.

Vor dem ersten Gebrauch

- 1) Stecken Sie den Netzstecker in eine Netzsteckdose.
- 2) Drehen Sie den Temperaturregler **2** bis zum Anschlag im Uhrzeigersinn auf die höchste Temperatur.
- 3) Drehen Sie den Funktionsschalter **3** auf „Ober- und Unterhitze“ .
- 4) Öffnen Sie die Glastür **6** und lassen Sie diese für diesen Vorgang geöffnet.
- 5) Entnehmen Sie eventuell eingesetztes Zubehör aus dem Garraum.
- 6) Drehen Sie den Timer **4** auf 20 Minuten.

HINWEIS

▶ Beim erstmaligen Aufheizen des Gerätes kann es durch fertigungsbedingte Rückstände zu leichter Rauch- und Geruchsentwicklung kommen. Das ist normal und völlig ungefährlich.

Sorgen Sie für ausreichende Belüftung, öffnen Sie zum Beispiel ein Fenster.

Das Gerät schaltet sich nach 20 Minuten automatisch aus.

Wenn Sie den Heizvorgang vorzeitig unterbrechen wollen, drehen Sie den Temperaturregler **2** bis zum Anschlag gegen den Uhrzeigersinn und stellen Sie den Timer **4** auf „OFF - 0“.

- 7) Lassen Sie das Gerät abkühlen und reinigen Sie das Gerät wie im Kapitel „Reinigen und Pflegen“ beschrieben.

Das Gerät ist nun betriebsbereit.

Bedienen des Gerätes

Funktionsschalter

Am Funktionsschalter ③ können Sie das Gerät einschalten, sowie 5 verschiedene Funktionen einstellen:

Symbol	Bedeutung
	„Oberhitze“ z.B. zum Überbacken
	„Unterhitze“ z.B. zum Kuchenbacken
	„Ober- & Unterhitze“ z.B. zum Pizza backen
	„Ober- & Unterhitze/Umluft/ Drehspieß“ z.B. um Geflügel zu grillen
	„Ober- & Unterhitze/Umluft“ z.B. um Brötchen aufzubacken
OFF	„OFF“ das Gerät ist ausgeschaltet

Temperaturregler

Am Temperaturregler ② können Sie die gewünschte Temperatur einstellen.

- Wenn Sie die Temperatur für die Funktionen „Oberhitze“ „Unterhitze“ oder „Ober- & Unterhitze“ einstellen, orientieren Sie sich an der mit „“ gekennzeichneten Skala.
- Wenn Sie die Temperatur für die Funktionen „Ober- & Unterhitze/Umluft/Drehspieß“ oder „Ober- & Unterhitze/Umluft“ einstellen, orientieren Sie sich an der mit „“ gekennzeichneten Skala.

Timer

Mit Hilfe des Timers ④ können Sie die Garzeit einstellen:

- Stellen Sie die Timer ④ auf die gewünschte Garzeit. Nach Beendigung der eingestellten Zeit erklingt ein Signalton und das Gerät stoppt das Heizen.
Falls die Funktion „Ober- & Unterhitze/Umluft/Drehspieß“ gewählt ist, stoppt auch das Drehen des Drehspießes ⑩.

Grillen und Backen

- 1) Legen Sie das Krümelblech ⑦ in das Gerät.
- 2) Nehmen Sie den Gitterrost ⑮ und das Backblech ⑪ aus dem Gerät. Legen Sie diese gegebenenfalls mit Backpapier aus bzw. bestreichen Sie das Backblech ⑪ mit zum Backen geeignetem Fett.

HINWEIS

- ▶ Je nach Gericht, muss der Backofen vorgeheizt werden. Halten Sie sich an die Vorgaben im jeweiligen Rezept. Das Vorheizen ist auf jeden Fall sinnvoll bei:
 - sehr kurzen Backzeiten,
 - knusprigen Krusten,
 - empfindlichen Gerichten, die eine konstante Temperatur erfordern, wie zum Beispiel Soufflés.
- ▶ Wenn kein Vorheizen nötig ist, überspringen Sie Handlungsschritt 3).

- 3) Lassen Sie das Gerät ca. 10 Minuten (je nach Temperatureinstellung) auf die gewünschte Temperatur aufheizen:
 - Wählen Sie die gewünschte Temperatur mit dem Temperaturregler ②. Achten Sie darauf, die korrekte Skala zu benutzen (siehe Kapitel „Temperaturregler“.)
 - Anschließend wählen Sie mit dem Funktionsschalter ③ die gewünschte Funktion.

DE
AT
CH

HINWEIS

- ▶ Falls Sie die Funktion mit Umluft wählen, können Sie in der Regel auf ein Vorheizen des Grill- und Garraums verzichten.
 - Stellen Sie mit dem Timer **4** die Vorheizzeit ein (ca. 10 Minuten).
 - Schließen Sie die Glastür **6**.
- 4) Ist die Zeit abgelaufen, legen Sie das Grill- bzw. Backgut auf den Gitterrost **13** bzw. das Backblech **11** und schieben Sie es in eine der Schienen. Achten Sie dabei auf einen ausreichenden Abstand des Grill- bzw. Backguts zu den Innenwänden und den Heizstäben des Geräts.

HINWEIS

- ▶ Wenn Sie stark tropfendes Grillgut auf dem Gitterrost **13** zubereiten, dann schieben Sie das Backblech **11** in die unterste Schiene. So wird z.B. herunter tropfendes Fett aufgefangen und das Gerät ist später leichter zu reinigen.
- 5) Schließen Sie die Glastür **6**, bevor Sie den Grill- Backvorgang starten.
- 6) Stellen Sie mit dem Timer **4** die gewünschte Grill- bzw. Backzeit ein. Die maximale Grill- bzw. Backzeit beträgt 120 Minuten.

HINWEIS

- ▶ Wenn die Garzeit Ihres Grill- bzw. Backguts weniger als 20 Minuten beträgt, stellen Sie den Timer **4** zunächst auf 40 Minuten und dann zurück auf die gewünschte Grill- bzw. Backzeit.

Die Kontrollleuchte **5** zeigt an, dass das Gerät eingeschaltet ist. Der Schalter des Timers **4** bewegt sich nun gegen den Uhrzeigersinn auf „OFF - 0“ zu.

Das Gerät schaltet sich nach der eingestellten Zeit automatisch aus, ein Signalton erklingt und die Kontrollleuchte **5** erlischt.

HINWEIS

Wenn Sie den Heizvorgang vorzeitig unterbrechen wollen, drehen Sie den Temperaturregler **2** bis zum Anschlag gegen den Uhrzeigersinn und stellen Sie den Timer **4** auf „OFF - 0“.


- 7) Entnehmen Sie nach dem Heizvorgang den Gitterrost **13** bzw. das Backblech **11** mit Hilfe der Zange **10**.
- 8) Stellen Sie den Funktionsschalter **3** auf „OFF“.

Grillen mit Drehspieß

- 1) Legen Sie das Krümelblech **7** in das Gerät.
- 2) Falls eingesetzt, nehmen Sie den Drehspieß **16** aus dem Gerät.
- 3) Schieben Sie das Backblech **11** in die unterste Schiene.
- 4) Fixieren Sie das Grillgut mit den Drehspießklemmen **15**. Achten Sie darauf, dass das Grillgut sich frei im Garraum drehen kann, ohne im Garraum anzustoßen. Es kann passieren, dass der Drehspieß **16** die Drehrichtung wechselt, wenn das Grillgut gegen einen Widerstand stößt. Die beiden Vertiefungen, die sich am Drehspieß **16** befinden, müssen frei zugänglich bleiben, ansonsten kann man den Drehspieß **16** nicht mit der Zange **12** greifen.
- 5) Befestigen Sie den Drehspieß **16** im Garraum (siehe Kapitel „Drehspieß benutzen“).
- 6) Schließen Sie die Glastür **6**.

HINWEIS

Wenn Sie den Heizvorgang vorzeitig unterbrechen wollen, drehen Sie den Temperaturregler **2** bis zum Anschlag gegen den Uhrzeigersinn und stellen Sie den Timer **4** auf „OFF - 0“.

- 7) Stellen Sie am Temperaturregler **2** die gewünschte Temperatur ein.
- 8) Stellen Sie den Funktionsschalter **3** auf „Ober- & Unterhitze/Umluft/Drehspieß“ . Stellen Sie am Timer **4** die gewünschte Grillzeit ein. Das Gerät startet den Grillvorgang und der Drehspieß **15** dreht sich.

Die Kontrollleuchte **5** zeigt an, dass das Gerät eingeschaltet ist. Der Schalter des Timers **4** bewegt sich nun gegen den Uhrzeigersinn auf „OFF - 0“ zu.

Das Gerät schaltet sich nach der eingestellten Zeit automatisch aus, ein Signalton erklingt und die Kontrollleuchte **5** erlischt.

HINWEIS



Wenn Sie den Heizvorgang vorzeitig unterbrechen wollen, drehen Sie den Temperaturregler **2** bis zum Anschlag gegen den Uhrzeigersinn und stellen Sie den Timer **4** auf „OFF - 0“.

- 9) Entnehmen Sie nach dem Grillvorgang den Drehspieß **15** mit Hilfe der Zange **12**.
- 10) Stellen Sie den Funktionsschalter **3** auf „OFF“.

BEISPIEL GRILLHÄHNCHEN

Zutaten


- ◆ Grillhähnchen (ca. 1,3 kg, ausgenommen)
- ◆ Gewürze (Salz, Paprika)
- ◆ Speiseöl

- 1) Würzen Sie das Grillhähnchen von innen und außen mit Salz und Paprikapulver. Streichen Sie es von außen mit hitzebeständigem Speiseöl ein.
- 2) Schieben Sie das Grillhähnchen auf den Grillspieß und fixieren Sie es mit den Drehspießklemmen **15**. Achten Sie dabei darauf, dass die Vertiefungen am Drehspieß **16** frei bleiben, damit Sie den Drehspieß **16** mit Hilfe der Zange **12** greifen können. Je nach Form des Grillhähnchens ist es nötig die Flügel und Schenkel mit einer feuerfesten Bindschnur zu fixieren, damit diese während des Drehens nicht anstoßen.
- 3) Schieben Sie das Backblech **11** in die unterste Schiene.
- 4) Heizen Sie das Gerät ca. 10 Minuten mit der Funktion „Ober- & Unterhitze/Umluft“  auf 210 °C vor.
- 5) Setzen Sie das Grillhähnchen auf dem Drehspieß mit Hilfe der Zange **12** in das Gerät ein.
- 6) Stellen Sie den Funktionsschalter auf „Ober- & Unterhitze/Umluft/Drehspieß“  und schließen Sie die Tür.
- 7) Stellen Sie den Timer **4** auf ca. 90 Minuten. Die Garzeit kann je nach Größe und Beschaffenheit des Grillhähnchens variieren.
- 8) Bestreichen Sie das Grillhähnchen zwischendurch immer wieder mit etwas Speiseöl. So wird es knusprig.
- 9) Wenn die eingestellte Zeit abgelaufen ist, entnehmen Sie den Grillspieß mit dem Grillhähnchen vorsichtig mit der Zange **12**. Lösen Sie die Drehspießklemmen **15** und ziehen Sie das Grillhähnchen vom Drehspieß **16**.

Reinigung und Pflege

GEFAHR - ELEKTRISCHER SCHLAG!

- ▶ Ziehen Sie vor jeder Reinigung den Netzstecker aus der Netzsteckdose! Es besteht die Gefahr eines elektrischen Schlages!

 Tauchen Sie das Gerät niemals in Wasser oder andere Flüssigkeiten!

WARNUNG! VERLETZUNGSGEFAHR!

- ▶ Lassen Sie das Gerät immer erst abkühlen, bevor Sie es reinigen. Es besteht sonst Verbrennungsgefahr!

- Reinigen Sie das Gerät und die Zubehörteile am besten sofort nach dem Abkühlen. Dann lassen sich Lebensmittelreste leichter entfernen.

ACHTUNG! SACHSCHADEN!

- ▶ Verwenden Sie keine scheuernden oder aggressiven Reinigungsmittel. Diese können die Oberfläche beschädigen!
- ▶ Reinigen Sie die Teile des Gerätes nicht in der Spülmaschine!
- ▶ Reinigen Sie den Garraum nicht mit einem Backofenspray, da sich Rückstände auf den Heizstäben nicht mehr entfernen lassen.

- Wischen Sie das Gerät mit einem feuchten Tuch ab. Bei Bedarf geben Sie ein mildes Spülmittel auf das Tuch und wischen Sie mit einem mit klarem Wasser befeuchteten Tuch nach. Trocknen Sie alles gut ab.

- Reinigen Sie den Garraum und die Glastür **6** mit einem feuchten Tuch. Bei Bedarf geben Sie ein mildes Spülmittel auf das Tuch und wischen Sie mit einem mit klarem Wasser befeuchteten Tuch nach. Trocknen Sie alles gut ab.

- Reinigen Sie die Zangen **10/12**, den Drehspieß **16**, die Drehspießklemmen **15**, die Feststeller **14**, das Backblech **11**, den Gitterrost **13** und das Krümelblech **7** in warmem Spülwasser. Trocknen Sie alle Teile nach der Reinigung gut ab.

Aufbewahrung

- Bewahren Sie das gereinigte Gerät und seine Zubehörteile an einem sauberen, staubfreien und trockenen Ort auf.

Fehlerbehebung

Fehler	Ursache	Lösung
Das Gerät funktioniert nicht.	Der Netzstecker ist nicht mit dem Stromnetz verbunden.	Stecken Sie den Netzstecker in eine Netzsteckdose.
	Die Netzsteckdose ist defekt.	Benutzen Sie eine andere Netzsteckdose.
	Das Gerät ist defekt.	Wenden Sie sich an den Service.
Die Kontrollleuchte ❸ leuchtet, aber das Gerät heizt nicht.	Der Funktionsschalter ❸ steht auf OFF.	Drehen Sie den Funktionsschalter ❸ auf die gewünschte Funktion.
Die Garzeit der Speisen erscheint sehr lang.	Die Glastür ❹ wurde sehr oft geöffnet, um den Garfortschritt zu kontrollieren.	Öffnen Sie die Glastür ❹ nicht öfter, als unbedingt notwendig.
	Es ist eine falsche Temperatur eingestellt.	Überprüfen Sie die Temperatureinstellungen.
Während der Benutzung tritt Rauch- und Geruchsentwicklung auf.	An den Heizstäben befinden sich Reinigungs- oder Lebensmittelrückstände.	Entnehmen Sie die Speisen aus dem Gerät und führen Sie den Garvorgang mit geöffneter Glastür ❹ fort, bis die Rauchentwicklung verschwunden ist.

DE
AT
CH

Sollten sich die Störungen nicht mit oben stehenden Fehlerbehebungen beheben lassen, oder wenn Sie andere Arten von Störungen feststellen, wenden Sie sich bitte an unseren Service.

Garantie und Service

Sie erhalten auf dieses Gerät 3 Jahre Garantie ab Kaufdatum. Das Gerät wurde sorgfältig produziert und vor Anlieferung gewissenhaft geprüft. Bitte bewahren Sie den Kassenbon als Nachweis für den Kauf auf. Bitte setzen Sie sich im Garantiefall mit Ihrer Servicestelle telefonisch in Verbindung. Nur so kann eine kostenlose Einsendung Ihrer Ware gewährleistet werden.

Die Garantieleistung gilt nur für Material- oder Fabrikationsfehler, nicht aber für Transportschäden, Verschleißteile oder für Beschädigungen an zerbrechlichen Teilen, z. B. Schalter oder Akkus. Das Produkt ist lediglich für den privaten und nicht für den gewerblichen Gebrauch bestimmt.

Bei missbräuchlicher und unsachgemäßer Behandlung, Gewaltanwendung und bei Eingriffen, die nicht von unserer autorisierten Service-Niederlassung vorgenommen wurden, erlischt die Garantie. Ihre gesetzlichen Rechte werden durch diese Garantie nicht eingeschränkt.

Die Garantiezeit wird durch die Gewährleistung nicht verlängert. Dies gilt auch für ersetzte und reparierte Teile. Eventuell schon beim Kauf vorhandene Schäden und Mängel müssen sofort nach dem Auspacken gemeldet werden, spätestens aber zwei Tage nach Kaufdatum. Nach Ablauf der Garantiezeit anfallende Reparaturen sind kostenpflichtig.

DE Service Deutschland

Tel.: 0800 5435 111 (Kostenfrei aus dem dt. Festnetz/Mobilfunknetz)
E-Mail: kompernass@lidl.de

IAN 102464

AT Service Österreich

Tel.: 0820 201 222 (0,15 EUR/Min.)
E-Mail: kompernass@lidl.at

IAN 102464

CH Service Schweiz

Tel.: 0842 665566 (0,08 CHF/Min., Mobilfunk max. 0,40 CHF/Min.)
E-Mail: kompernass@lidl.ch

IAN 102464

Erreichbarkeit Hotline: Montag bis Freitag von 8:00 Uhr - 20:00 Uhr (MEZ)

Entsorgung



Werfen Sie das Gerät keinesfalls in den normalen Hausmüll. Dieses Produkt unterliegt der europäischen Richtlinie 2012/19/EU.

Entsorgen Sie das Gerät über einen zugelassenen Entsorgungsbetrieb oder über Ihre kommunale Entsorgungseinrichtung. Beachten Sie die aktuell geltenden Vorschriften. Setzen Sie sich im Zweifelsfall mit Ihrer Entsorgungseinrichtung in Verbindung.



Die Verpackung besteht aus umweltfreundlichen Materialien, die Sie über die örtlichen Recyclingstellen entsorgen können.

Importeur

KOMPERNASS HANDELS GMBH
BURGSTRASSE 21
44867 BOCHUM
GERMANY
www.kompernass.com

KOMPERNASS HANDELS GMBH

BURGSTRASSE 21

44867 BOCHUM

DEUTSCHLAND / GERMANY

www.kompernass.com

Last Information Update · Versiunea informațiilor

Έκδοση των πληροφοριών · Stand der Informationen:

06/2014 · Ident.-No.: SGBR1500A1-022014-2

IAN 102464