

SILVERCREST®



www.lidl-service.com



RECHARGEABLE HAND-HELD AND UPRIGHT VACUUM CLEANER SHSS 12 B2

(GB) (CY)

RECHARGEABLE HAND-HELD AND UPRIGHT VACUUM CLEANER

Operating instructions

(RO)

ASPIRATOR MANUAL ȘI DE PODEA CU ACUMULATOR

Instrucțiuni de utilizare

(DE) (AT) (CH)

AKKU-HAND- UND -BODENSTAUBSAUGER

Bedienungsanleitung

(HR)

AKUMULATORSKI RUČNI I PODNI USISAVAC

Upute za upotrebu

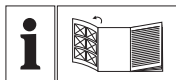
(BG)

ПРАХОСМУКАЧКА

Ръководство за експлоатация

IAN 100116

(HR) (RO) (BG)



GB CY

Before reading, unfold the page containing the illustrations and familiarise yourself with all functions of the device.

HR

Prije nego što pročitate tekst, otvorite stranicu sa slikama i upoznajte se na osnovu toga sa svim funkcijama uređaja.

RO

Înainte de a citi instrucțiunile, priviți imaginile și familiarizați-vă cu toate funcțiile aparatului.

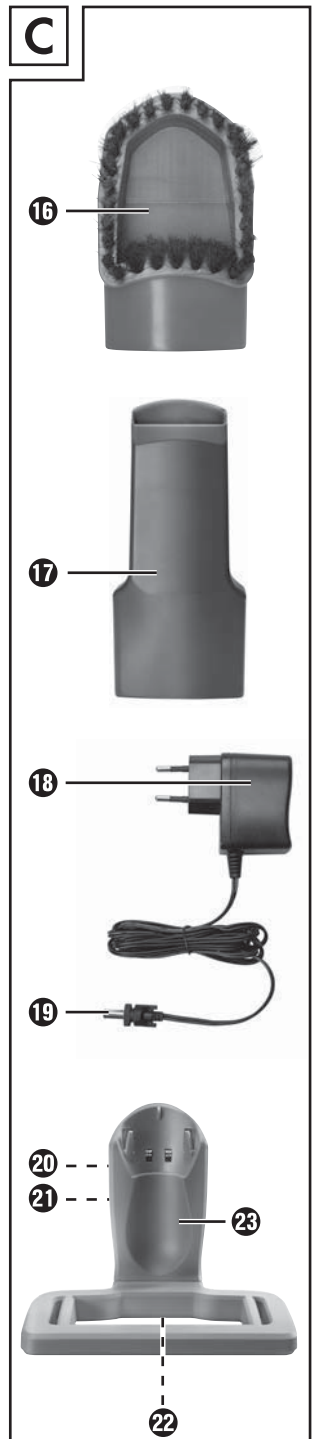
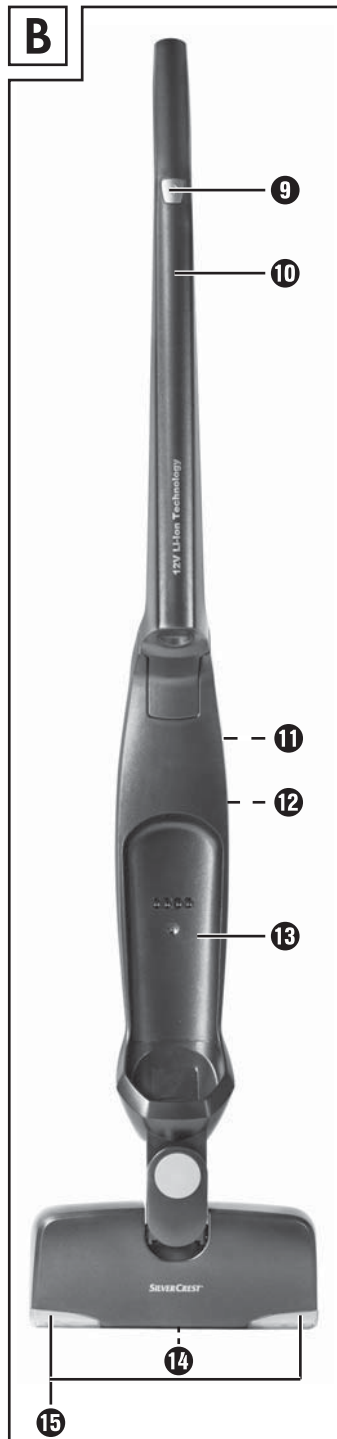
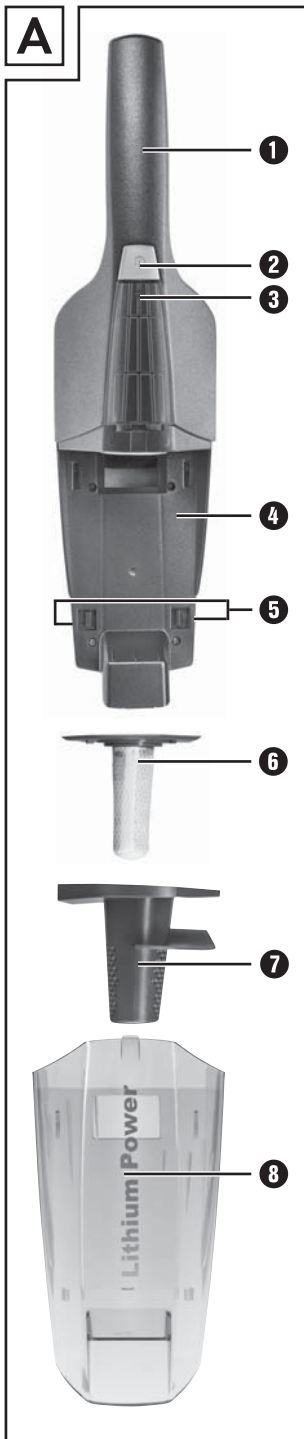
BG

Преди да прочетете отворете страницата с фигурите и след това се запознайте с всички функции на уреда.

DE AT CH

Klappen Sie vor dem Lesen die Seite mit den Abbildungen aus und machen Sie sich anschließend mit allen Funktionen des Gerätes vertraut.

GB/CY	Operating instructions	Page	1
HR	Upute za upotrebu	Stranica	11
RO	Instrucțiuni de utilizare	Pagina	21
BG	Ръководство за експлоатация	Страница	31
DE/AT/CH	Bedienungsanleitung	Seite	41



Contents

Introduction	2
Intended use	2
Package contents	2
Appliance description	2
Technical data	3
Safety guidelines	3
Before first use	6
Charging the appliance	6
Assembly/disassembly	6
Connecting the hand element to the handle/removal from handle	6
Operation	7
Using the hand element with the handle	7
Using the hand element	7
Cleaning and care	7
Emptying the dirt container	8
Cleaning the appliance	8
Cleaning the rotary brush	8
Storage	9
Troubleshooting	9
Warranty and service	9
Disposal	10
Disposal of the appliance	10
Disposal of (rechargeable) batteries	10
Importer	10

RECHARGEABLE HAND-HELD AND UPRIGHT VACUUM CLEANER SHSS 12 B2

Introduction

Congratulations on the purchase of your new appliance.

You have selected a high-quality product. The operating instructions are part of this product. They contain important information on safety, usage and disposal. Before using the product, familiarise yourself with all handling and safety guidelines. Use the product only as described and for the range of applications specified. Please also pass these operating instructions on to any future owner(s).

Intended use

This appliance has been designed exclusively for vacuum cleaning dry surfaces and dry residues. This appliance is intended solely for use in private homes. Do not vacuum people or animals with this appliance. Any other usage of or modification to the appliance is deemed to be improper usage and carries the risk of serious personal injury. The manufacturer accepts no liability for damages that result from improper use of the appliance or are caused by the incorrect operation of it.

The appliance is not intended for commercial use.

Package contents

Handheld vacuum cleaner

Brush nozzle

Crevice tool

Extension handle with floor nozzle

Cradle (with charging socket)

Charger

Operating instructions

Check the delivery contents for completeness immediately after unpacking.

Appliance description

Figure A:

- ❶ Grip, hand element
- ❷ On/Off switch
- ❸ Charge indicator lamp
- ❹ Hand element
- ❺ Buttons ▲
- ❻ Dust filter
- ❼ Coarse filter
- ❽ Dirt container

Figure B:

- ❾ On/Off switch
- ❿ Grip
- ⓫ "Grip" release
- ⓬ "Hand element" release
- ⓭ Hand element recess
- ⓮ Rotary brush
- ⓯ LED lamp

Figure C:

- ❶ Brush nozzle
- ❷ Crevice tool
- ❸ Charger
- ❹ Charger barrel jack
- ❺ Holder for brush nozzle
- ❻ Holder for crevice tool
- ❼ Charging socket
- ❽ Cradle (with charging socket)


Technical data

Charger

Input: 100–240 V ~50/60 Hz 300 mA Max.


Output: 13.5 V  500 mA


Type designation: SHSS 12 B2-1

Protection class: II / 


Floor nozzle

Nominal power: 5 W

Protection class: III / 


Input voltage: 10.8 V  1800 mAh

Appliance

Input voltage/current: 13.5 V  500 mA

Nominal power: 75 W

Protection class: III / 

Batteries: 10.8 V/1800 mAh  Li-ion battery

Battery Pack: 3 cells each of 3.6 V

Operating time with full battery charge
(depending on floor covering): approx. 15 min.

Charging time with empty battery: 5–6 hours

Safety guidelines

DANGER – ELECTRIC SHOCK!

- ▶ Do not charge or use the appliance outdoors.
- ▶ Never use the handheld vacuum cleaner if the cable, plug or casing are damaged.
- ▶ To avoid risks, arrange for damaged power cables and/or plugs to be replaced as soon as possible by a qualified specialist or by our Customer Services.
- ▶ Arrange for repairs to be carried out only by specialist workshops. Under no circumstances should you open the appliance yourself. Repairs that are not carried out by a specialist workshop could lead to physical injuries.
- ▶ Before charging the appliance, make sure that the mains voltage corresponds to the voltage indicated in the technical data for the charger.
- ▶ Never touch the mains adapter/charger or the appliance with wet or damp hands.
- ▶ Do not use the mains adapter/charger with an extension cable; connect the mains adapter directly to a power socket.

⚠ WARNING! RISK OF INJURY!

- ▶ Do not change any accessories while the appliance is switched on.
- ▶ Do not use the handheld vacuum cleaner for vacuuming up water or other liquids.
- ▶ Do not use the handheld vacuum cleaner for vacuuming up sharp objects or glass shards.
- ▶ Never vacuum up burning matches, glowing ashes or cigarette butts.
- ▶ Do not use the handheld vacuum cleaner for vacuuming up chemical products, stone dust, gypsum, cement or similar particles.
- ▶ This appliance is not suitable for use with inflammable and explosive substances or chemical and aggressive liquids.
- ▶ Always store the appliance indoors. To prevent accidents, keep the appliance in a dry location when not in use.
- ▶ Under extreme conditions, leaks in the battery cells may occur. In the event that battery fluid comes into contact with skin or eyes, the affected area must be rinsed off with water immediately. Contact a physician.
- ▶ This appliance may be used by children aged 8 years and above and by persons with limited physical, sensory or mental capabilities or lack of experience and knowledge, provided that they are under supervision or have been told how to use the appliance safely and are aware of the potential risks. Children must not use the appliance as a plaything. Cleaning and user maintenance tasks may not be carried out by children unless they are supervised.

⚠ WARNING! RISK OF INJURY!

- ▶ Use only accessories recommended by the manufacturer.
- ▶ The mains adapter may not be used for other purposes.
- ▶ Always grip the power plug to disconnect the appliance from the power supply.
- ▶ Always be sure to keep the handheld vacuum cleaner away from heating elements, ovens or other heated appliances and surfaces.
- ▶ Always make certain that the ventilation slits are not obstructed. A blocked ventilation circuit can result in overheating and damage to the appliance.
- ▶ Take special care when using the handheld vacuum cleaner on stairs.
- ▶ This product contains rechargeable batteries. Do not throw the appliance into a fire and do not subject it to high temperatures. There is a risk of explosion!
- ▶ Always remove the floor nozzle from the handle before cleaning the rotary brush to avoid accidental starting of the rotary brush.

ATTENTION! MATERIAL DAMAGE!

- ▶ Do not use the handheld vacuum cleaner without the dust filter inserted.
- ▶ Do not use the mains adapter for a different product and do not attempt to charge this appliance with a different charger. Use only the charger supplied with this appliance.
- ▶ Never charge non-rechargeable batteries!

Before first use

NOTE

- ▶ This appliance is supplied with non-charged batteries. The batteries must be charged for 6 hours before the first use.
- Remove all packaging materials as well as foils and stickers

Charging the appliance

NOTE

- ▶ Ensure that the appliance is switched off before starting to charge the batteries.
- To charge the appliance, connect the charger 18 to a mains socket and insert the barrel jack 19 into the charging socket 22 on the cradle 23. Feed the cable through the cable channel on the charging socket 22, so that the cradle 23 is not resting on the cable.
- Place the handle with the attached hand element 4 onto the cradle 23. The red control lamp 3 illuminates. When the appliance is fully charged, the indicator light 3 illuminates green.

Assembly/disassembly

Connecting the hand element to the handle/removal from handle

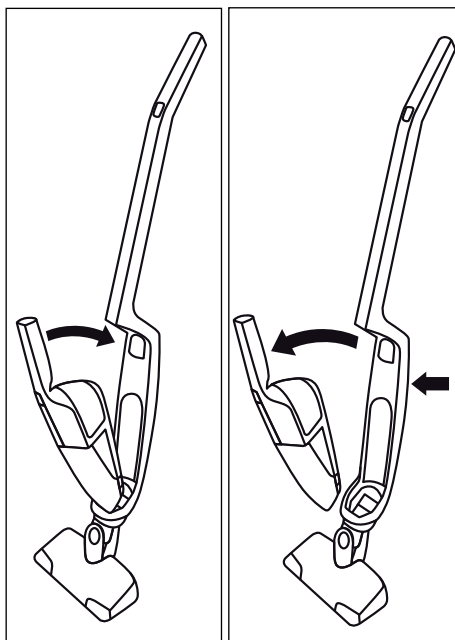


Fig. 1

Fig. 2

- To connect the hand element 4 to the handle, push the tip of the hand element 4 into the opening in the hand element recess 13.
- Then press the grip 1 of the hand element 4 into the handle so that the hand element 4 clicks firmly into position (Fig. 1).
- To remove the hand element 4 from the handle, press the "Hand element" release 12.
- Then pull the hand element 4 upwards and forwards out of the hand element recess 13 (Fig. 2).

Operation

ATTENTION! MATERIAL DAMAGE!

- ▶ The suction opening must always be open and unblocked. Blockages lead to overheating and damage to the motor.
- ▶ Do not vacuum shag pile carpet with the floor nozzle. The rotary brush **14** can get caught in the carpet and block!

NOTE

- ▶ Make certain that the dust filter **6** and the coarse filter **7** are always inserted before using the appliance.
- ▶ As soon as the suction power of the appliance begins to diminish noticeably, connect the appliance to the charger **18**.

Using the hand element with the handle

- 1) Insert the hand element **4** into the hand element recess **13** as described in the chapter "Assembly/disassembly".
- 2) Fold out the grip **10** by pressing the "Grip" release **11** and at the same time pulling the grip **10** upwards.
- 3) Switch on the appliance using the on/off switch **9**. The LED lamp **15** on the floor nozzle will illuminate and the rotary brush **14** starts turning.
- 4) Guide the floor nozzle over the area to be vacuumed. Hold the grip **10** so that the floor nozzle moves smoothly over the floor.
- 5) Press the on/off switch **9** when you have finished vacuuming. The rotary brush **14** stops and the LED lamp **15** goes out.

Using the hand element

- 1) Remove the hand element **4** from the hand element recess **13** as described in the chapter "Assembly/disassembly".
- 2) If required, attach the crevice tool **17** or the brush nozzle **16**.
- 3) Set the on/off switch **2** to start vacuuming the desired areas.
- 4) When you have finished vacuuming, press the on/off switch **2** again.

Cleaning and care

⚠ WARNING! RISK OF INJURY!

- ▶ Always disconnect the charger **18** from the mains socket and remove the barrel jack **19** from the charging socket **22** on the cradle **23** before cleaning the cradle **23**.
- ▶ Always remove the hand element **4** from the hand element recess **13** on the handle before cleaning the hand element **4**, the handle or the rotary brush **14**.

To achieve the best results, empty the dirt container **8** and clean the dust filter **6** after every use.

ATTENTION! MATERIAL DAMAGE!

- ▶ Do not use abrasive or aggressive cleaning materials. These could damage the surface of the appliance!

NOTE

- ▶ The LED lamp **15** is maintenance-free. The LEDs cannot be changed.

Emptying the dirt container

- 1) To open the dirt container **8**, remove the hand element **4** from the hand element recess **15**.
- 2) Press both buttons **▲** **5** and, at the same time, pull the dirt container **8** upwards. You can now lift this off upwards/forwards.
- 3) Remove the dust filter **6** by pulling it out with your fingers. Rinse the dust filter **6** in clear water and let it air dry. Do not use hot air to dry the dust filter **6**.
- 4) Then remove the coarse filter **7** also by simply pulling it out.

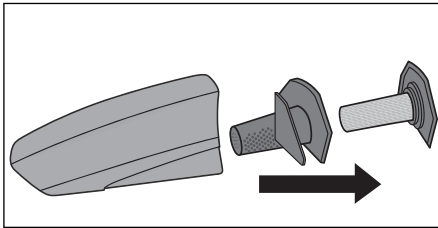


Fig. 3

- 5) Empty the dirt container **8**.
- 6) Now you can re-insert first the coarse filter **7** and then the dust filter **6**.
- 7) Replace the dirt container **8** by first inserting the catch into the notch in the hand element **4** and then pushing the front part of the dirt container **8** firmly downwards so that the dirt container **8** clicks firmly into place.

Cleaning the appliance

Wipe the appliance with a damp cloth. For stubborn dirt, wipe, adding mild detergent to the cloth. Ensure that the appliance is completely dry before the next use.

Cleaning the rotary brush

The rotary brush **14** can become covered in residues, such as hair, after a while. To remove this dirt, you can remove the rotary brush **14** (Fig. 4).

- 1) Turn the floor nozzle upside down.
- 2) Push the catch on the cover plate to the rear so that you can remove the cover plate.
- 3) Lift out the rotary brush **14**.
- 4) To replace the rotary brush **14**, first push the broad end onto the drive shaft so that the rotary brush **14** hooks into place.
- 5) Then push the other end into the mount so that the rotary brush **14** sits straight in the floor nozzle.
- 6) Replace the cover plate and fasten it firmly into place.

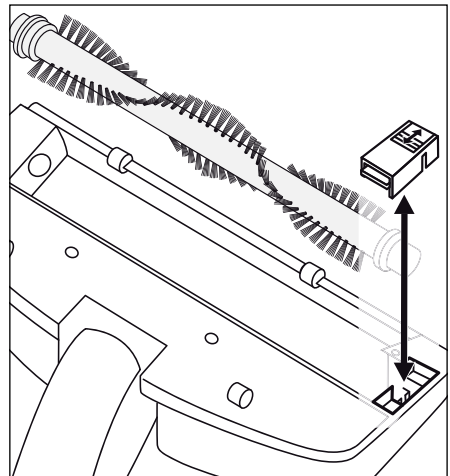


Fig. 4

Storage

- When you are not using the appliance, place it on the cradle 23.
- You can store the crevice tool 17 and the brush nozzle 16 on the rear side of the cradle 23 in the holder for the brush nozzle 20 and the holder for the crevice tool 21.
- Store the appliance in a dust-free and dry location.

Troubleshooting

The appliance is not working.

- The battery is not charged.
 - ◆ Connect the appliance to the charger 18.
- The appliance is defective.
 - ◆ Contact the Customer Service department.

The appliance is running but hardly sucking up any dirt.

- The battery is not sufficiently charged.
 - ◆ Connect the appliance to the charger 18.
- The dirt container 8 is full.
 - ◆ Empty the dirt container 8.
- The dust filter 6 is blocked.
 - ◆ Clean the dust filter 6.

The appliance will not charge.

- The charger 18 is not correctly connected to the socket/mains plug.
 - ◆ Check the connections of the charger 18.
- The charger 18 is defective.
 - ◆ Contact the Customer Service department.

Warranty and service

You are provided a 3-year warranty on this appliance, valid from the date of purchase. This appliance has been manufactured with care and inspected meticulously prior to delivery. Please retain your receipt as proof of purchase. In the event of a warranty claim, please contact your Customer Service unit by telephone. This is the only way to guarantee free return of your goods.

The warranty only covers claims for material and manufacturing defects, not for damage sustained during carriage, components subject to wear and tear or damage to fragile components such as switches or batteries. This appliance is intended solely for private use and not for commercial purposes. The warranty shall be deemed void in the case of misuse or improper handling, use of force and interventions which have not been carried out by one of our authorised Service centres. Your statutory rights are not restricted by this warranty.

The warranty period is not prolonged by repairs effected under the warranty. This also applies to replaced and repaired components. Any damage and defects present at the time of purchase must be reported immediately after unpacking, but no later than two days after the date of purchase. Repairs effected after expiry of the warranty period shall be subject to charge.

GB Service Great Britain

Tel.: 0871 5000 720 (£ 0.10/Min.)

E-Mail: kompernass@lidl.co.uk

IAN 100116

CY Service Cyprus

Tel.: 8009 4409

E-Mail: kompernass@lidl.com.cy

IAN 100116

Hotline availability: Monday to Friday 08:00 - 20:00 (CET)

Disposal

Disposal of the appliance



Under no circumstances should you dispose of the appliance in the normal domestic waste. This product is subject to the provisions of European Directive 2012/19/EU.

Dispose of the appliance via an approved waste disposal company or your municipal waste disposal facility. Please observe applicable regulations. Please contact your waste disposal facility if you are in any doubt.

Disposal of (rechargeable) batteries



Used batteries may not be disposed of in household waste.

Consumers are legally obliged to dispose of batteries at a collection point in their community/city district or at a retail store.

The purpose of this obligation is to ensure that batteries are disposed of in an environmentally congruent manner. Only dispose of batteries when they are fully discharged.

ATTENTION! MATERIAL DAMAGE!

► If you open the housing and dispose of the batteries, the appliance will be irreparably damaged!

- 1) Before you start removing the battery, discharge it completely.
- 2) Remove the dirt collector ⑧.
- 3) Undo the 5 screws on the rear of the hand element ④ and pull the two halves of the housing apart.
- 4) Remove the motor from the housing half.
- 5) Undo the two screws on the plastic bracket that holds the blue battery and remove the plastic bracket.

- 6) Use pliers to cut the cable that leads to the blue battery. Make sure that you do not short-circuit the bare cable ends with the metal parts of the pliers.
- 7) Remove the battery and dispose of it in an environmentally friendly manner.



The packaging is made from environmentally friendly material and can be disposed of at your local recycling plant.

Importer

KOMPERNASS HANDELS GMBH
BURGSTRASSE 21
44867 BOCHUM
GERMANY
www.kompernass.com

Sadržaj

Uvod	12
Namjenska uporaba	12
Opseg isporuke	12
Opis uređaja	12
Tehnički podaci	13
Sigurnosne napomene	13
Prije prve uporabe	16
Punjenje uređaja	16
Montaža/demontaža	16
Povezivanje ručnog dijela s drškom / skidanje s drške	16
Rukovanje	17
Korištenje ručnog dijela s drškom	17
Korištenje ručnog dijela	17
Čišćenje i održavanje	17
Pražnjenje spremnika za nečistoću	18
Čišćenje uređaja	18
Čišćenje valjaka s četkom	18
Skladištenje	19
Otklanjanje smetnji	19
Jamstvo i servis	19
Zbrinjavanje	20
Zbrinjavanje uređaja	20
Zbrinjavanje baterija/akumulatora	20
Uvoznik	20

AKUMULATORSKI RUČNI I PODNI USISIVAČ SHSS 12 B2

Uvod

Srdačno čestitamo na kupnji Vašeg novog uređaja. Time ste se odlučili za visokovrijedan proizvod. Upute za rukovanje predstavljaju sastavni dio ovog proizvoda. One sadrže važne napomene za sigurnost, rukovanje i zbrinjavanje. Prije uporabe uređaja upoznajte se sa svim pripadajućim uputama za uporabu i svim sigurnosnim napomenama. Proizvod koristite isključivo na opisani način i u navedenim područjima uporabe. U slučaju predaje proizvoda trećim osobama priložite i predajte i svu dokumentaciju.

Namjenska uporaba

Ovaj uređaj služi isključivo za usisavanje suhih površina, odnosno suhe nečistoće. Ovaj je uređaj namijenjen isključivo za uporabu u privatnim domaćinstvima. Uređajem se ne smije usisavati ljude ili životinje. Svaki drugi način uporabe i svaka izmjena uređaja smatra se nenamjenskom i krije znatnu opasnost od nastanka nezgode. Proizvođač ne odgovara za štete nastale uslijed nenamjenske uporabe uređaja ili uslijed pogrešnog načina rukovanja. Uređaj nije namijenjen za komercijalnu uporabu.

Opseg isporuke

Ručni usisivač

Nastavak s četkom

Nastavak za fuge

Produžena drška s nastavkom za pod

Držač (s utičnicom za punjenje)

Punjač

Upute za rukovanje

Neposredno nakon raspakiranja provjerite kompletnost opsega isporuke.

Opis uređaja

Slika A:

- 1 Ručka ručnog dijela
- 2 Prekidač Uklj/Isklj
- 3 Kontrolna lampica za kontrolu punjenja
- 4 Ručni dio
- 5 Tipke ▲
- 6 Filtar za prašinu
- 7 Grubi filtari
- 8 Spremnik za nečistoću

Slika B:

- 9 Prekidač Uklj/Isklj
- 10 Ručka
- 11 Deblokada "Ručka"
- 12 Deblokada "Ručni dio"
- 13 Udubljene ručnog dijela
- 14 Valjak s četkom
- 15 LED - osvjetljenje

Slika C:

- 16 Nastavak s četkom
- 17 Nastavak za fuge
- 18 Punjač
- 19 Šuplji utikač punjača
- 20 Držač nastavka s četkom
- 21 Držač nastavka za fuge
- 22 Utičnica za punjenje
- 23 Držač (s utičnicom za punjenje)

Tehnički podaci

Punjač

Ulaz: 100-240 V ~, 50/60 Hz, 300 mA maks.

Izlaz: 13,5 V  500 mA


Oznaka tipa: SHSS 12 B2-1

Razred zaštite: II / 


Nastavak za podove

Nominalna snaga: 5 W

Razred zaštite: III / 


Ulazni napon: 10,8 V  1800 mAh

Uređaj

Ulazni napon/struja: 13,5 V  500 mA

Nominalna snaga: 75 W

Razred zaštite: III / 

Baterije: Li-Ion (10,8 V)  1800 mAh

Paket baterija: 3 jedinice po 3,6 V

Vrijeme rada s potpuno napunjenom baterijom (ovisi o podnoj oblozi): oko 15 minuta

Vrijeme punjenja prazne baterije: 5 - 6 sati

Izjava o sukladnosti za ovaj proizvod dostupna je na internet stranici www.lidl.hr.

HR

Sigurnosne napomene

OPASNOST - STRUJNI UDAR!

- ▶ Ne punite i ne koristite ovaj uređaj izvan prostorija.
- ▶ Ručni usisivač nikada ne koristite ako su oštećeni kabel, utikač ili kućište.
- ▶ Oštećeni mrežni kabel ili mrežni utikač na zamjenu dajte autoriziranom stručnom osoblju, kako bi se izbjegle moguće opasnosti.
- ▶ Popravke smije obavljati isključivo stručna radionica. Ni u kom slučaju samostalno ne otvarajte uređaj. Zahvati, koje nije izvršila autorizirana radionica, mogu dovesti do ozljeda.
- ▶ Prije uključivanja uređaja provjerite da napon naveden u tehničkim podacima uređaja odgovara mrežnom naponu.
- ▶ Mrežni adapter/punjač ili uređaj nikada ne dirajte mokrim ili vlažnim rukama.
- ▶ Mrežni adapter/punjač ne koristite zajedno s produžnim kabelom, nego ga neposredno priključite na utičnicu.

⚠ UPOZORENJE! OPASNOST OD OZLJEDA!

- ▶ Ne mijenjajte dijelove opreme dok uređaj radi.
- ▶ Ručni usisivač ne koristite za usisavanje vode ili drugih tekućina.
- ▶ Ručni usisivač ne koristite za usisavanje šiljatih predmeta ili krhotina stakla.
- ▶ Nikada ne usisavajte goruće šibice, žareći pepeo ili goruće opuške.
- ▶ Ručni usisivač nikada ne koristite za usisavanje kemijskih proizvoda, kamene prašine, gipsa, cementa ili sličnih tvari.
- ▶ Uređaj nije prikladan za zapaljive i eksplozivne tvari, niti za kemijske ili agresivne tekućine.
- ▶ Uređaj uvijek skladištite u zatvorenim prostorijama. Da biste spriječili nezgode, uređaj nakon uporabe uvijek čuvajte na suhom mjestu.
- ▶ Pod ekstremnim uvjetima baterije mogu procuriti. U slučaju kontakta tekućine s kožom ili očima, mjesto dodira odmah isperite čistom vodom. Potražite liječničku pomoć.
- ▶ Ovaj uređaj smiju koristiti djeca stara 8 godina ili više, kao i osobe sa smanjenim fizičkim, senzornim ili mentalnim sposobnostima ili pomanjkanjem iskustva i/ili znanja, ukoliko su pod nadzorom ili su primile poduku o sigurnom rukovanju uređajem te su razumjele opasnosti koje proizlaze iz uporabe uređaja. Djeca se ne smiju igrati uređajem. Čišćenje i servisiranje ne smiju obavljati djeca bez odgovarajućeg nadzora.

⚠ UPOZORENJE! OPASNOST OD OZLJEDA!

- ▶ Koristite isključivo opremu koju preporučuje proizvođač.
- ▶ Mrežni adapter se ne smije koristiti u druge svrhe.
- ▶ Uvijek uhvatite mrežni utikač, kada uređaj želite isključiti iz utičnice.
- ▶ Obavezno obratite pažnju na to da ručni usisivač ne odlažete pokraj radijatora, pećnica ili drugih zagrijanih uređaja ili površina.
- ▶ Uvijek obratite pažnju na to da otvori za ventilaciju ostanu slobodni. Blokirana cirkulacija zraka može dovesti do pregrijavanja i oštećenja uređaja.
- ▶ Budite posebno pažljivi kada ručni usisivač koristite na stepenicama.
- ▶ Ovaj proizvod sadrži punjive baterije. Uređaj ne bacajte u vatru i ne izlažite ga visokim temperaturama. Postoji opasnost od eksplozije!
- ▶ Prije čišćenja valjka s četkom uvijek izvadite ručni dio iz drške kako biste izbjegli nehотиčno pokretanje valjka s četkom.

POZOR! OŠTEĆENJE PROIZVODA!

- ▶ Ručni usisivač ne koristite bez umetnutog filtra za prašinu.
- ▶ Punjač ne koristite za druge proizvode i ne pokušavajte uređaj puniti pomoću drugog punjača. Koristite isključivo punjač isporučen zajedno s ovim uređajem.
- ▶ Nikada ne pokušavajte puniti baterije koje za to nisu predviđene!

Prije prve uporabe

NAPOMENA

► Uređaj se isporučuje s nenapunjenim baterijama. Prije prve uporabe uređaja baterije treba puniti 6 sati.

■ Odstranite svu ambalažu i sve folije i naljepnice.

Punjenje uređaja

NAPOMENA

► Provjerite da je uređaj isključen prije nego počnete puniti baterije.

■ Da biste napunili uređaj, spojite punjač 18 na mrežnu utičnicu i utaknite šuplji utikač 19 u utičnicu za punjenje 22 smještenu na držaču 23. Provedite kabel kroz kabelski kanal na utičnici za punjenje 22, tako da držač 23 ne stoji na kabelu.

■ Dršku sa umetnutim ručnim dijelom 4 postavite na držač 23.

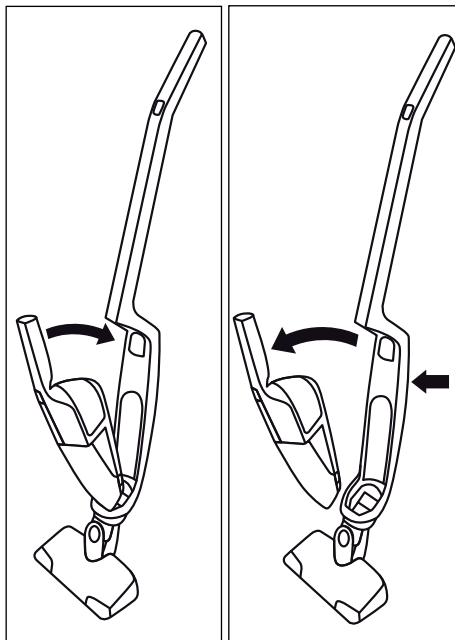
Crvena kontrolna lampica 3 svijetli zeleno.

Kada je uređaj napunjen, signalizacija punjenja

3 svijetli zeleno.

Montaža/demontaža

Povezivanje ručnog dijela s drškom / skidanje s drške



Slika 1

Slika 2

■ Da biste ručni dio 4 povezali s drškom, gurnite vrh ručnog dijela 4 u utor udubine ručnog dijela uređaja 13.

■ Zatim utisnite ručku 1 ručnog dijela uređaja 4 u dršku, tako da ručni dio uređaja 4 ulegne i čvrsto stoji na svom mjestu (slika 1).

■ Da biste ručni dio 4 odvojili od drške, pritisnite deblokadu "Ručni dio" 12.

■ Povlačenjem izvadite ručni dio 4 prema gore/naprijed iz udubine ručnog dijela 13 (slika 2).

Rukovanje

POZOR! OŠTEĆENJE PROIZVODA!

- ▶ Usisni otvor u svakom trenutku mora biti prohodan i ne smije biti začepljen. Začepljenja dovode do pregrijavanja i oštećenja motora.
- ▶ Nemojte usisavati duboke tepihe pomoću nastavka za podove. Valjak s četkom 14 može se zaplesti u tepihu i blokirati!

NAPOMENA

- ▶ Obratite pažnju na to da filter za prašinu 6 i grubi filter 7 uvijek budu umetnuti prije nego što koristite uređaj.
- ▶ Čim snaga usisavanja osjetno oslabi, uređaj ponovo povežite s punjačem 18.

Korištenje ručnog dijela s drškom

- 1) Umetnite ručni dio 4 u udubinu ručnog dijela 13 na način opisan u poglavlju "Montaža/demontaža".
- 2) Otklopite ručku 10 pritiskanjem deblokade "Ručka" 11 i istovremenim povlačenjem ručke 10 prema gore.
- 3) Uključite uređaj pomoću prekidača Uklj/Isklj 9. LED-osvjetljenje 15 na nastavku za podove svijetli, a valjak s četkom 14 se okreće.
- 4) Prijedite nastavkom za podove preko površina koje treba usisati. Ručku 10 pritom držite tako, da nastavak za podove ravno klizi preko poda.
- 5) Pritisnite prekidač Uklj/Isklj 9, kada želite završiti usisavanje. Valjak s četkom 14 se zaustavlja i LED-osvjetljenje 15 se gasi.

Korištenje ručnog dijela

- 1) Otpustite ručni dio 4 u udubini ručnog dijela 13 na način opisan u poglavlju "Montaža/demontaža".
- 2) Po potrebi stavite nastavak za fuge 17 ili nastavak s četkom 16.
- 3) Pritisnite prekidač Uklj/Isklj 2 i usisavajte na željenim mjestima.
- 4) Kada želite okončati usisavanje, još jednom pritisnite prekidač Uklj/Isklj 2.

Čišćenje i održavanje

⚠ UPOZORENJE! OPASNOST OD OZLJEDA!

- ▶ Uvijek izvucite punjač 18 iz mrežne utičnice i otpustite šuplji utikač 19 iz utičnice za punjenje 22 na držaču 23, prije nego počnete čistiti držač 23.
- ▶ Ručni dio 4 obavezno izvadite iz udubljena ručnog dijela 13 na dršci prije nego počnete čistiti ručni dio 4, dršku ili valjak s četkom 14.

Za postizanje najboljih rezultata ispraznite spremnik za nečistoću 8 i očistite filter za prašinu 6 nakon svake uporabe.

POZOR! OŠTEĆENJE PROIZVODA!

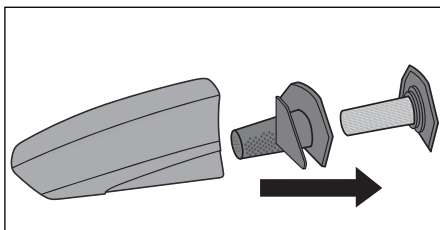
- ▶ Ne koristite abrazivna ili agresivna sredstva za čišćenje, jer mogu oštetiti površinu uređaja!

NAPOMENA

- ▶ LED - osvjetljenje 15 je samoodržavajuće. LED-svjetiljke se ne mogu zamijeniti.

Pražnjenje spremnika za nečistoću

- 1) Da biste otvorili spremnik za nečistoću **8**, izvadite ručni dio **4** iz udubine ručnog dijela **15**.
- 2) Istovremeno pritisnite dvije tipke **5** i povucite spremnik za nečistoću **8** prema gore. Sada spremnik možete podići prema gore/ prema naprijed.
- 3) Izvadite filtar za prašinu **6** tako što ćete ga izvući prstima. Isperite filtar za prašinu **6** u čistoj vodi i ostavite ga da se osuši na zraku. Ne koristite vruć zrak za sušenje filtra za prašinu **6**.
- 4) Zatim također izvučite i grubi filtar **7**.



Slika 3

- 5) Ispraznite spremnik za nečistoću **8**.
- 6) Najprije umetnite grubi filtar **7** a nakon toga vratite suhi filtar za prašinu **6**.
- 7) Spremnik za nečistoću **8** vratite tako, što ćete blokadu prvo gurnuti u utor na ručnom dijelu **4** i nakon toga prednji dio spremnika za nečistoću **8** snažno pritisnuti prema dolje, tako da spremnik za nečistoću **8** ulegne i čvrsto stoji na svome mjestu.

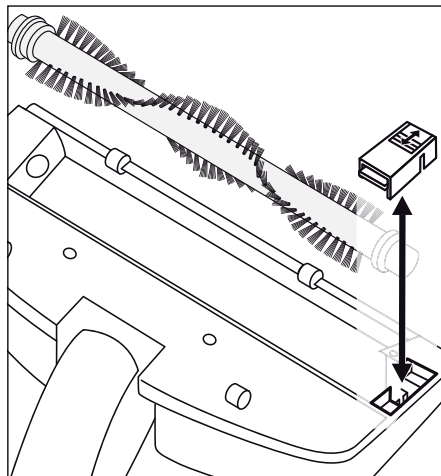
Čišćenje uređaja

Uređaj prebrišite vlažnom krpom. U slučaju tvrdokornih onečišćenja na krpu dodajte blago sredstvo za pranje posuda. Uvjerite se da je uređaj prije sljedeće uporabe potpuno suh.

Čišćenje valjaka s četkom

Na valjku s četkom **14** se vremenom može nakupiti nečistoća kao što su na primjer vlasi. Da biste ovu nečistoću odstranili, valjak s četkom **14** možete izvaditi (slika 4).

- 1) Okrenite nastavak za podove.
- 2) Gurnite blokadu na pokrovnoj ploči prema natrag, tako da možete skinuti pokrovnu ploču.
- 3) Podignite valjak s četkom **14**.
- 4) Da biste ponovno umetnuli valjak s četkom **14**, najprije na pogonsku osovinu gurnite široki kraj, kako biste zakvačili valjak s četkom **14**.
- 5) Zatim gurnite drugi kraj u prihvatnik, tako da valjak s četkom **14** stoji ravno u nastavku za podove.
- 6) Vratite pokrovnu ploču i zaključajte je.



Slika 4

Skladištenje

- Kada uređaj ne koristite, postavite ga na držač 23.
- Nastavak za fuge 17 i nastavak s četkom 16 možete smjestiti na stražnju stranu držača 23 na držač nastavka s četkom 20 i držač nastavka za fuge 21.
- Uređaj čuvajte na suhom mjestu, na kojem nema prašine.

Otklanjanje smetnji

Uređaj ne radi.

- Baterija nije napunjena.
- ◆ Povežite uređaj s punjačem 18.
- Uređaj je neispravan.
- ◆ Obratite se servisu za kupce.

Uređaj radi, ali jedva usisava nečistoću.

- Baterije nisu dovoljno napunjene.
- ◆ Povežite uređaj s punjačem 18.
- Spremnik za nečistoću 8 je pun.
- ◆ Ispraznite spremnik za nečistoću 8.
- Filtar za prašinu 6 je začepljen.
- ◆ Očistite filtara za prašinu 6.

Uređaj se ne puni.

- Punjač 18 nije ispravno utaknut u utičnicu / mrežni utikač.
- ◆ Prekontrolirajte priključke punjača 18.
- Punjač 18 je neispravan.
- ◆ Obratite se servisu za kupce.

Jamstvo i servis

Za ovaj uređaj odobrava se jamstvo u trajanju od 3 godine od datuma kupnje. Uređaj je pažljivo proizveden i prije isporuke brižljivo provjeren. Molimo sačuvajte račun kao dokaz o kupnji. Molimo vas da u slučaju jamstvenog zahtjeva nazovete telefonski broj nadležnog servisa. Samo na taj način možemo osigurati besplatno slanje robe.

Pravo na jamstvo vrijedi samo za greške materijala i greške nastale prilikom proizvodnje, ali ne i za štetu nastalu prilikom transporta, potrošne dijelove ili uslijed oštećenja lomljivih dijelova, npr. prekidača ili baterija. Proizvod je namijenjen isključivo za privatnu, nekomercijalnu uporabu. Jamstvo prestaje vrijediti u slučaju zlorabuse, nepravilnog korištenja, primjene sile i zahvata na uređaju koje nije obavila za to ovlaštena podružnica servisa. Ovo jamstvo ne ograničava Vaša zakonska prava.

Korištenje prava na jamstvo ne produžuje jamstveni rok. To vrijedi i za zamijenjene i popravljene dijelove. Štete i nedostatke koji eventualno postoje već prilikom kupovine treba javiti neposredno nakon raspakiranja, a najkasnije u roku od dva dana nakon datuma kupnje. Nakon isteka jamstvenog roka izvršeni popravci se naplaćuju.

HR Servis Hrvatska

Tel.: 0800 777 999

E-Mail: kompermass@lidl.hr

IAN 100116

Dostupnost dežurne telefonske linije:

Ponedjeljak do petak od 8:00 - 20:00 sati (SEV)

Zbrinjavanje

Zbrinjavanje uređaja



Uređaj nikako ne bacajte zajedno s ostalim kućnim otpadom. Ovaj proizvod podliježe europskoj direktivi 2012/19/EU.

Uređaj zbrinite preko ovlaštenog poduzeća za zbrinjavanje otpada ili preko nadležnog komunalnog poduzeća za zbrinjavanje otpada. Poštujte aktualno važeće propise. U slučaju dvojbe obratite se mjesnom poduzeću za zbrinjavanje otpada.

Zbrinjavanje baterija/akumulatora



Baterije/akumulatori ne smiju se zbrinuti zajedno s kućnim otpadom.

Svaki potrošač zakonski je obavezan baterije/akumulatore predati na sabirnom mjestu njegove općine/njegovog dijela grada ili u trgovini.

Svrha ove obveze je da se baterije/akumulatore zbrinjava na način neškodljiv za okoliš. Baterije/akumulatore vratite isključivo u ispraznjenom stanju.

POZOR! OŠTEĆENJE PROIZVODA!

► Kada otvorite uređaj i zbrinete baterije, uređaj će biti nepopravljivo oštećen.

- 1) Prije nego počnete s vađenjem baterije, bateriju potpuno ispraznite.
- 2) Skinite spremnik za nečistoću **8**.
- 3) Otpustite 5 vijaka na stražnjoj strani ručnog dijela **4** i rastavite dvije polovine kućišta.
- 4) Izvucite motor iz polovice kućišta.
- 5) Otpustite dva vijka na plastičnom držaču, koji drži plavu bateriju, i izvadite plastični držač.
- 6) Klještima redom prerežite kableske žile koje vode prema plavoj bateriji. Obratite pažnju na to da dodirivanjem golih krajeva vodova metalnim dijelom klješta ne izazovete kratki spoj.
- 7) Izvadite bateriju i zbrinite je na ekološki prikladan način.



Ambalaža se sastoji od materijala neškodljivih za okoliš koje možete zbrinuti preko mjesnih ispostava za recikliranje.

Uvoznik

Lidl Hrvatska d.o.o. k.d.,
p.p. 61
10020 Novi Zagreb

Proizvođač:

KOMPERNASS HANDELS GMBH
BURGSTRASSE 21
44867 BOCHUM
GERMANY
www.kompernass.com

Cuprins

Introducere	22
Utilizarea conform destinației	22
Furnitura	22
Descrierea aparatului	22
Date tehnice	23
Indicații de siguranță	23
Înainte de prima utilizare	26
Încărcarea aparatului	26
Montarea / demontarea	26
Conectarea unității manuale cu mânerul / eliberarea acesteia de pe mâner	26
Operarea	27
Utilizarea unității manuale cu mânerul	27
Utilizarea unității manuale	27
Curățarea și îngrijirea	27
Golirea rezervorului de colectare a murdăriei	28
Curățarea aparatului	28
Curățarea periei rotative	28
Depozitarea	29
Remediarea defecțiunilor	29
Garanția și service-ul	29
Eliminarea	30
Eliminarea aparatului	30
Eliminarea bateriilor/acumulatorilor	30
Importator	30

ASPIRATOR MANUAL ȘI DE PODEA CU ACUMULATOR SHSS 12 B2

Introducere

Felicitări pentru cumpărarea noului dvs. aparat.

Prin aceasta v-ați decis pentru un produs de calitate superioară. Instrucțiunile de utilizare fac parte integrantă din acest produs. Acestea cuprind informații importante pentru siguranță, utilizare și eliminare.

Înainte de utilizarea produsului, familiarizați-vă cu toate indicațiile privind operarea și siguranța.

Utilizați acest produs numai în modul descris și numai în scopurile menționate. În cazul transmiterii aparatului unei alte persoane, predați-i, de asemenea, documentele aferente acestuia.

Utilizarea conform destinației

Acest aparat servește exclusiv pentru aspirarea suprafețelor uscate sau a materialelor care pot fi aspirate. Acest aparat este destinat exclusiv uzului casnic. A nu se utiliza asupra oamenilor sau animalelor. Orice altă utilizare sau modificare a aparatului este considerată a fi neconformă și atrage după sine pericole serioase de accidentare. Producătorul nu răspunde pentru pagubele cauzate prin utilizarea neconformă sau manipularea greșită.

Este interzisă utilizarea aparatului în scopuri profesionale.

Furnitura

Aspirator de mână

Duză pentru perii

Duză pentru rosturi

Mâner de prelungire cu duză pentru pardoseală

Suport (cu mufă de încărcare)

Încărcător

Instrucțiuni de utilizare

Imediat după livrare verificați dacă furnitura este completă.

Descrierea aparatului

Figura A:

- ❶ Mâner unitate manuală
- ❷ Comutator pornit/oprit
- ❸ Bec de control pentru încărcare
- ❹ Unitate manuală
- ❺ Taste ▲
- ❻ Filtru de praf
- ❼ Filtru brut
- ❽ Rezervor de colectare a murdăriei

Figura B:

- ❾ Comutator pornit/oprit
- ❿ Mâner
- ⓫ Mecanism de deblocare „mâner”
- ⓬ Mecanism de deblocare „unitate manuală”
- ⓭ Locașul unității manuale
- ⓮ Perie rotativă
- ⓯ Lampă cu LED

Figura C:

- ⓶ Duză perii
- ⓷ Duză pentru rosturi
- ⓸ Încărcător
- ⓹ Conector-tată încărcător
- ⓺ Suport duză pentru perii
- ⓻ Suport duză pentru rosturi
- ⓼ Mufă de încărcare
- ⓽ Suport (cu mufă de încărcare)

Date tehnice

Încărcător

Intrare: 100 - 240 V ~, 50 / 60 Hz, 300 mA

Ieșire: 13,5 V  500 mA


Denumire tip: SHSS 12 B2-1

Clasa de protecție: II/ 


Duza pentru pardoseală

Putere nominală: 5 W

Clasa de protecție: III / 


Tensiune de intrare: 10,8 V  1800 mAh

Aparatul

Tensiune de intrare/
curent de intrare: 13,5 V  500 mA

Putere nominală: 75 W

Clasa de protecție: III / 

Acumulatori: Li-Ion (10,8 V)  1800 mAh

Set acumulatori: 3 celule a câte 3,6 V

Timpul de funcționare cu acumulatorul încărcat
complet (în funcție de tipul pardoselii): cca 15 minute

Timp de încărcare după descărcarea completă a
acumulatorului: 5 - 6 ore

RO

Indicații de siguranță

PERICOL DE ELECTROCUTARE!

- ▶ Nu încărcați, resp. nu utilizați aparatul în aer liber.
- ▶ Nu utilizați niciodată aspiratorul de mână dacă ștecărul, cablul sau carcasa sunt deteriorate.
- ▶ Dacă ștecărul sau cablul de alimentare se defectează, solicitați imediat înlocuirea respectivei componente de către personal de specialitate autorizat, pentru a evita situațiile periculoase.
- ▶ Reparațiile trebuie executate numai într-un atelier de specialitate. Nu desfaceți aparatul în nicio circumstanță. În urma intervențiilor care nu au fost realizate de către o firmă de specialitate, pot rezulta răniri.
- ▶ Înainte de pornirea aparatului, asigurați-vă că tensiunea indicată în datele tehnice ale aparatului corespunde cu tensiunea rețelei dvs. de curent.
- ▶ Nu apucați adaptorul de rețea/încărcătorul sau aparatul cu mâinile ude sau umede.
- ▶ Nu utilizați adaptorul de rețea / încărcătorul împreună cu un cablu prelungitor, ci conectați adaptorul direct la priza de curent.

⚠️ AVERTIZARE! PERICOL DE RĂNIRE!

- ▶ Nu schimbați accesoriile în timp ce aparatul se află în funcțiune.
- ▶ Nu utilizați aspiratorul de mână pentru aspirarea apei sau a altor lichide.
- ▶ Nu utilizați aspiratorul de mână pentru aspirarea obiectelor ascuțite sau a cioburilor de sticlă.
- ▶ Nu aspirați niciodată chibrituri aprinse, cenușă cu jar sau mucuri de țigară.
- ▶ Nu utilizați aspiratorul de mână pentru aspirarea produselor chimice, prafului de piatră, gipsului, cimentului sau altor particule asemănătoare.
- ▶ Aparatul nu este adecvat pentru substanțe inflamabile sau explozive și nici pentru lichide chimice sau agresive.
- ▶ Păstrați aparatul întotdeauna în încăperi închise. Pentru a preveni accidentele, după utilizare, păstrați aparatul într-un loc uscat.
- ▶ În condiții extreme pot apărea scurgeri la nivelul celulelor acumulatorilor. La contactul lichidului scurs cu pielea sau cu ochii, zona afectată trebuie spălată bine, resp. clătită imediat cu apă curată. Consultați un medic.
- ▶ Acest aparat poate fi utilizat atât de către copii începând cu vârsta de 8 ani, cât și de persoane cu abilități fizice, senzoriale sau mintale reduse sau fără experiență și fără cunoștințe necesare, dacă sunt supravegheate sau dacă au fost instruite cu privire la utilizarea sigură a acestui aparat și au înțeles pericolele legate de acesta. Copiilor le este interzis să se joace cu aparatul. Curățarea și acțiunile de întreținere destinate utilizatorului nu se vor efectua de către copii fără supraveghere.

⚠️ AVERTIZARE! PERICOL DE RĂNIRE!

- ▶ Utilizați numai accesoriile recomandate de către producător.
- ▶ Adaptorul de rețea nu trebuie utilizat în alte scopuri.
- ▶ Apucați întotdeauna ștecărul cu mâna pentru a deconecta aparatul de la sursa de alimentare.
- ▶ Aveți în vedere neapărat să nu așezați aspiratorul de mână lângă corpuri de încălzit, cuptoare sau alte aparate ori suprafețe încălzite.
- ▶ Asigurați-vă că orificiile de aerisire sunt în permanență libere. Un circuit de aer blocat poate conduce la supraîncălzirea sau defectarea aparatului.
- ▶ Fiți deosebit de atent când utilizați aspiratorul de mână pe scări.
- ▶ Acest produs conține acumulatori reîncărcabili. Nu aruncați aparatul în foc și nu îl expuneți la temperaturi ridicate. Pericol de explozie!
- ▶ Înainte de curățarea periei rotative demontați întotdeauna unitatea manuală de pe mâner, pentru a evita pornirea accidentală a periei rotative.

ATENȚIE! PAGUBE MATERIALE!

- ▶ Nu utilizați aspiratorul de mână fără a monta filtrul de praf.
- ▶ Nu utilizați încărcătorul pentru un alt produs și nu încercați să încărcați acest aparat cu un alt încărcător. Utilizați numai încărcătorul livrat împreună cu acest aparat.
- ▶ Nu reîncărcați niciodată baterii care nu sunt reîncărcabile!

Înainte de prima utilizare

INDICAȚIE

- ▶ Aparatul este livrat cu acumulatorii descărcați. Înainte de prima utilizare a aparatului, acumulatorii trebuie mai întâi încărcăți timp de 6 ore.
- Îndepărtați toate materialele de ambalat, precum și foliile și autocolantele.

Încărcarea aparatului

INDICAȚIE

- ▶ Asigurați-vă că aparatul este oprit înainte să începeți încărcarea.
- Pentru încărcarea aparatului conectați încărcătorul 18 la o priză și cuplați conectorul-tată 19 la mufa de încărcare 22 de pe mâner 23. Introduceți cablul prin canalul pentru cablu de la mufa de încărcare 22, astfel încât suportul 23 să nu fie poziționat pe cablu.
- Așezați mânerul cu unitatea manuală montată 4 pe suport 23. Se aprinde becul roșu de control pentru încărcare 5. Când aparatul este încărcat, becul de control pentru încărcare 5 este verde.

Montarea / demontarea

Conectarea unității manuale cu mânerul / eliberarea acesteia de pe mâner

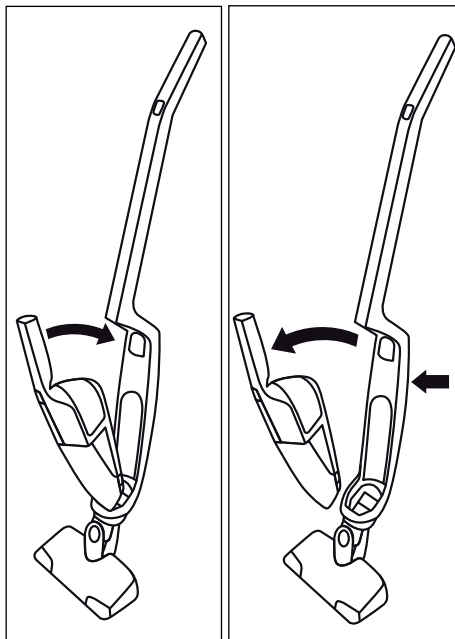


Fig. 1

Fig. 2

- Pentru a conecta unitatea manuală 4 cu mânerul, rotiți partea superioară a unității manuale 4 în decupajul locașului unității manuale 13.
- Apăsăți mânerul 1 al unității manuale 4 în mânerul aspiratorului, astfel încât unitatea manuală 4 să se cupleze și să se fixeze în poziție (fig. 1).
- Pentru a elibera unitatea manuală 4 de pe mânerul aspiratorului, apăsați mecanismul de deblocare al „unității manuale” 12.
- Trageți unitatea manuală 4 în sus / în față din locașul unității manuale 13 (fig. 2).

Operarea

ATENȚIE! PAGUBE MATERIALE!

- ▶ Orificiul de aspirare trebuie să fie în permanență liber și neobturat. Obturarea conduce la supraîncălzirea și deteriorarea motorului.
- ▶ Nu aspirați cu duza pentru pardoseală coavore cu fir lung. Peria rotativă 14 se încurcă în covor și se blochează!

INDICAȚIE

- ▶ Întotdeauna înainte de a utiliza aparatul, asigurați-vă că filtrul de praf 6 și filtrul brut 7 sunt montate.
- ▶ Dacă puterea aspiratorului a scăzut în mod semnificativ, conectați aparatul din nou la încărcător 18.

Utilizarea unității manuale cu mânerul

- 1) Așezați unitatea manuală 4 în locașul unității manuale 13 după cum este descris în capitolul „Montare/demontare”.
- 2) Rabatați mânerul 10 apăsând simultan mecanismul de deblocare a „mânerului” 11 și trăgând în sus mânerul 10.
- 3) Porniți aparatul de la comutatorul pornit / oprit 2. Lampa cu LED 15 de pe duza pentru pardoseală luminează și peria rotativă 14 se rotește.
- 4) Aspirați cu duza pentru pardoseală locurile care pot fi aspirate. Țineți mânerul 10 astfel încât duza pentru pardoseală să fie glisată în poziție plană deasupra pardoselii.
- 5) Apăsăți comutatorul pornit/oprit 2 în poziția „O” atunci când ați terminat de aspirat. Peria rotativă 14 se oprește, iar lampa cu LED 15 se stinge.

Utilizarea unității manuale

- 1) Desfaceți unitatea manuală 4 din locașul unității manuale 13 după cum este descris în capitolul „Montare/demontare”.
- 2) Dacă doriți, montați duza pentru rosturi 17 sau duza pentru perii 16.
- 3) Apăsăți comutatorul pornit/oprit 2 și aspirați locurile dorite.
- 4) Atunci când doriți să întrerupeți aspirarea, apăsați încă o dată comutatorul pornit/oprit 2.

Curățarea și îngrijirea

⚠ AVERTIZARE! PERICOL DE RĂNIRE!

- ▶ Scoateți întotdeauna încărcătorul 18 din priză și decuplați conectorul-tată 19 din mufa de încărcare 22 de la suport 23, înainte de a curăța suportul 23.
- ▶ Scoateți întotdeauna unitatea manuală 4 din locașul unității manuale 13 de la mâner înainte de a curăța unitatea manuală 4, mânerul sau peria rotativă 14.

Pentru obținerea rezultatelor optime, goliți recipientul pentru gunoi 8 și curățați filtrul de praf 6 după fiecare utilizare.

ATENȚIE! PAGUBE MATERIALE!

- ▶ Nu utilizați substanțe de curățare abrazive sau agresive. Acestea pot deteriora suprafața aparatului!

INDICAȚIE

- ▶ Lampa cu LED 15 nu necesită întreținere. Ledurile nu pot fi înlocuite!

Golirea rezervorului de colectare a murdăriei

- 1) Pentru deschiderea rezervorului de colectare a murdăriei **8** scoateți unitatea manuală **4** din locașul unității manuale **13**.
- 2) Apăsăți concomitent cele două taste **▲** **5** trăgând totodată în sus rezervorul de colectare a murdăriei **8**. Acum îl puteți ridica în sus / în față.
- 3) Îndepărtați filtrul de praf **6** trăgându-l cu degetele în afară. Curățați filtrul de praf **6** cu apă curată și lăsați-l la aer să se usuce. Nu utilizați aer cald pentru a usca filtrul de praf **6**.
- 4) Îndepărtați filtrul brut **7** trăgându-l, de asemenea, în afară.

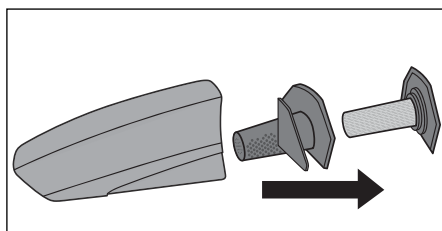


Fig. 3

- 5) Goliți rezervorul de colectare a murdăriei **8**.
- 6) Introduceți din nou, mai întâi filtrul brut **7** și apoi filtrul de praf **6**.
- 7) Montați la loc rezervorul de colectare a murdăriei **8** împingând mai întâi piedica în locașul unității manuale **4** și apoi împingeți cu putere în jos partea frontală a rezervorului de colectare a murdăriei **8**, astfel încât acesta **8** să se cupleze și să se fixeze în poziție.

Curățarea aparatului

Ștergeți aparatul cu o lavetă umedă. În cazul depunerilor persistente de murdărie, aplicați un detergent delicat pe lavetă. Asigurați-vă că aparatul este uscat în totalitate înainte de a-l utiliza din nou.

Curățarea periei rotative

În timp, pe peria rotativă **14** se pot fixa impurități, ca de exemplu păr. Pentru a le îndepărta, puteți să demontați peria rotativă **14** (fig. 4).

- 1) Rotiți duza pentru pardoseală.
- 2) Împingeți în spate piedica de la placa de acoperire, astfel încât aceasta să se poată detașa.
- 3) Scoateți peria rotativă **14**.
- 4) Pentru a introduce din nou peria rotativă **14** împingeți mai întâi capătul lat pe axul de acționare, astfel încât peria rotativă **14** să fie prinsă acolo.
- 5) Apoi împingeți celălalt capăt în suport, astfel încât peria rotativă **14** să fie poziționată drept în duza pentru pardoseală.
- 6) Așezați la loc placa de acoperire și fixați-o.

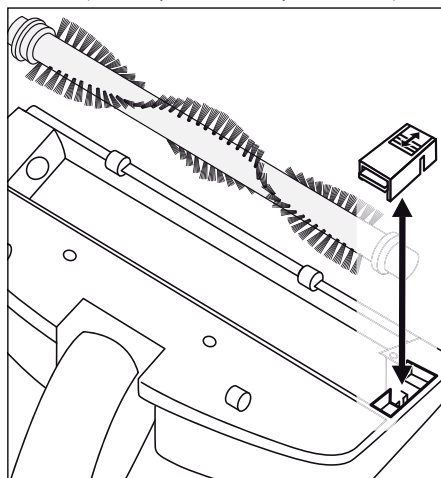


Fig. 4

Depozitarea

- Atunci când nu utilizați aparatul, așezați-l pe suport 23.
- Duza pentru rosturi 17 și duza pentru perii 16 pot fi introduse pe partea posterioară a suportului 23 pe suportul duzei pentru perii 20 și suportul duzei pentru rosturi 21.
- Păstrați aparatul într-un loc lipsit de praf și uscat.

Remediarea defecțiunilor

Aparatul nu funcționează.

- Acumulatorul nu este încărcat.
- ◆ Conectați aparatul cu încărcătorul 18.
- Aparatul este defect.
- ◆ Adresați-vă serviciului pentru clienți.

Aparatul funcționează, dar aspiră cu greu murdăria.

- Acumulatorul nu este încărcat suficient.
- ◆ Conectați aparatul cu încărcătorul 18.
- Rezervorul de colectare a murdăriei 8 este plin.
- ◆ Goliiți rezervorul de colectare a murdăriei 8.
- Filtrul de praf 6 este colmatat.
- ◆ Curățați filtrul de praf 6.

Aparatul nu se încarcă.

- Încărcătorul 18 nu este introdus corect în mufă/priză.
- ◆ Verificați conexiunile încărcătorului 18.
- Încărcătorul 18 este defect.
- ◆ Adresați-vă serviciului pentru clienți.

Garanția și service-ul

Pentru acest aparat se acordă o garanție de 3 ani de la data cumpărării. Aparatul a fost produs cu grijă și verificat cu rigurozitate înaintea livrării. Păstrați bonul de casă pentru a dovedi cumpărarea. În caz de defecțiuni în perioada de garanție, contactați telefonic centrul dvs. de service. Numai astfel poate fi asigurată o expediție gratuită a produsului dvs.

Garanția acoperă numai defectele de material sau de fabricație, nu și deteriorările rezultate în urma transportului, piesele de uzură sau deteriorările apărute la componentele fragile, de exemplu comutatoare sau acumulatori. Aparatul este destinat numai uzului privat și nu utilizărilor profesionale. În cazul manevrării abuzive sau necorespunzătoare, al uzului de forță și al intervențiilor care nu au fost realizate de către filiala noastră autorizată de service, garanția își pierde valabilitatea. Drepturile dvs. legale nu sunt limitate prin această garanție.

Perioada de garanție nu este prelungită după efectuarea reparațiilor realizate în perioada de garanție. Acest lucru este valabil și pentru piesele înlocuite și reparate. Deteriorările și deficiențele prezente deja la cumpărare trebuie semnalate imediat după dezambalare sau cel târziu la două zile de la data cumpărării. Reparațiile necesare după expirarea perioadei de garanție se efectuează contra cost.

RO Service România

Tel.: 0800896637

E-Mail: kompernass@lidl.ro

IAN 100116

Acces linie telefonică directă: De luni până vineri, între orele 8:00 - 20:00 (CET)

Eliminarea

Eliminarea aparatului



Nu aruncați aparatul sub nicio formă în gunoii menajer obișnuit. Acest produs face obiectul Directivei europene 2012/19/EU.

Eliminați aparatul prin intermediul unei firme autorizate sau prin intermediul centrului local de colectare a deșeurilor. Respectați reglementările actuale în vigoare. Dacă aveți nelămuriri, contactați serviciul local de eliminare a deșeurilor.

Eliminarea bateriilor/acumulatorilor



Este interzisă eliminarea bateriilor/acumulatorilor în gunoii menajer.

Fiecare consumator are obligația legală de a preda bateriile / acumulatorii la un centru de colectare local.

Această obligație are scopul de a asigura eliminarea ecologică a bateriilor/acumulatorilor. Predați bateriile/acumulatorii numai în stare descărcată.

ATENȚIE! PAGUBE MATERIALE!

► Dacă desfaceți aparatul și eliminați acumulatorii, aparatul este deteriorat în mod ireparabil!

- 1) descărcați complet acumulatorul înaintea demontării acestuia.
- 2) Scoateți rezervorul de colectare a murdăriei ❸.
- 3) Desfaceți cele 5 șuruburi de la partea din spate a unității manuale ❹ și scoateți separat ambele jumătăți de carcasă.
- 4) Scoateți motorul din jumătatea de carcasă.
- 5) Desfaceți ambele șuruburi de la suportul din plastic care susțin acumulatorul albastru și scoateți suportul din plastic.
- 6) Îndepărtați pe rând cu un clește conductorii care fac legătura cu acumulatorul albastru. Asigurați-vă că nu se produce scurtcircuit între capetele descoperite ale cablului și părțile metalice ale cleștelui.

- 7) Scoateți și eliminați acumulatorul în mod responsabil față de mediul înconjurător.



Amalajul este format din materiale ecologice pe care le puteți elimina la centrele locale de eliminare a deșeurilor.

Importator

KOMPERNASS HANDELS GMBH

BURGSTRASSE 21

44867 BOCHUM

GERMANY

www.kompernass.com

Съдържание

Въведение	32
Употреба по предназначение	32
Окомплектовка на доставката	32
Описание на уреда	32
Технически характеристики	33
Указания за безопасност	33
Преди първата употреба	36
Зареждане на уреда	36
Монтаж/Демонтаж	36
Съединяване/Разединяване на тялото на уреда с/от ръкохватката	36
Работа с уреда	37
Употреба на тялото на уреда с ръкохватката	37
Употреба на тялото на уреда	37
Почистване и поддръжка	37
Изпразване на контейнера за смет	38
Почистване на уреда	38
Почистване на ролката на четката	38
Съхранение	39
Отстраняване на неизправности	39
Гаранция и сервиз	39
Предаване за отпадъци	40
Предаване на уреда за отпадъци	40
Изхвърляне на батерии/акумулаторни батерии	40
Вносител	40

ПРАХОСМУКАЧКА SHSS 12 B2

Въведение

Поздравяваме ви за покупката на вашия нов уред. Избрали сте висококачествен продукт. Ръководството за потребителя е неразделна част от този продукт. То съдържа важни указания относно безопасността, употребата и предаването за отпадъци. Преди да използвате продукта, се запознайте с всички указания за обслужване и безопасност. Използвайте продукта единствено според описанието и за указанияте области на приложение. Предавайте продукта на трети лица заедно с цялата документация.

Употреба по предназначение

Този уред служи единствено за изсмукване на сухи повърхности респ. сухи материали. Този уред е предназначен единствено за битова употреба. С този уред не трябва да се почистват хора или животни. Всяка друга употреба или промяна на уреда се счита за нецелесъобразна и крие значителни опасности от злополука. Производителят не поема отговорност за щети, причинени в резултат на нецелесъобразна употреба или неправилно обслужване. Уредът не е предназначен за професионална употреба.

Окомплектовка на доставката

Ръчна прахосмукачка
 Приставка с четка
 Приставка за фуги
 Ръкохватка удължител с приставка за под
 Държач (със зарядна буква)
 Зарядно устройство
 Ръководство за потребителя

Проверете доставката за комплектност непосредствено след разпаковането.

Описание на уреда

Фигура А:

- ❶ Дръжка на тялото на уреда
- ❷ Бутон за включване/изключване
- ❸ Контролна лампичка за зареждането
- ❹ Тяло на уреда
- ❺ Бутони ▲
- ❻ Прахов филтър
- ❼ Филтър за грубо пречистване
- ❽ Контейнер за смет

Фигура В:

- ❾ Бутон за включване/изключване
- ❿ Ръкохватка
- ⓫ Приспособление за деблокиране на ръкохватката
- ⓬ Приспособление за деблокиране на тялото на уреда
- ⓭ Легло за тялото на уреда
- ⓮ Ролка на четката
- ⓯ Светодиодно осветление

Фигура С:

- ❶ Приставка с четка
- ❷ Приставка за фуги
- ❸ Зарядно устройство
- ❹ Коаксиален щепсел на зарядното устройство
- ❺ Държач за приставката с четка
- ❻ Държач за приставката за фуги
- ❼ Зарядна буква
- ❽ Държач (със зарядна буква)

Технически характеристики

Зарядно устройство

Вход: 100 – 240 V ~, 50/60 Hz, 300 mA макс

Изход: 13,5 V  500 mA


Типово означение: SHSS 12 B2-1

Клас на защита: II / 

Ролката на четката


Номинална мощност: 5 W

Клас на защита: III / 

Входно напрежение: 10,8 V  1800 mAh


Уред

Входно напрежение/

Входен ток: 13,5 V  500 mA

Номинална мощност: 75 W

Клас на защита: III / 

Батерии: литиево-йонни
(10,8 V)  1800 mAh

Пакет батерии: 3 клетки по 3,6 V

Продължителност на работа при пълно зареждане на батериите (в зависимост от подовото покритие): около 15 минути

Време за зареждане при празна батерия:
5 – 6 часа

BG

Указания за безопасност

ОПАСНОСТ – ТОКОВ УДАР!

- ▶ Не зареждайте респ. не използвайте този уред на открито.
- ▶ Никога не използвайте ръчната прахосмукачка, ако кабелът, щепселът или корпусът са повредени.
- ▶ За да се избегнат опасности, повредените щепсели или кабели трябва да се сменят незабавно от оторизирани специалисти.
- ▶ Ремонтите трябва да се извършват само от специализиран сервиз. При никакви обстоятелства не отваряйте сами уреда. Интервенциите, които не са извършени от специализиран сервиз, могат да причинят наранявания.
- ▶ Преди включването на уреда се уверете, че посоченото в техническите характеристики на уреда напрежение отговаря на напрежението на електрическата мрежа.
- ▶ Никога не докосвайте хранящия блок/зарядното устройство или уреда с мокри или влажни ръце.
- ▶ Не използвайте хранящия блок/зарядното устройство с удължител; включвайте хранящия блок директно в контакта.

⚠ ПРЕДУПРЕЖДЕНИЕ! ОПАСНОСТ ОТ НАРАНЯВАНЕ!

- ▶ Не сменяйте принадлежностите, когато уредът работи.
- ▶ Не използвайте ръчната прахосмукачка за изсмукване на вода или други течности.
- ▶ Не използвайте ръчната прахосмукачка за изсмукване на остри предмети или натрошени стъкла.
- ▶ Никога не изсмуквайте горящи клечки кибрит, тлееща пепел или фасове.
- ▶ Никога не използвайте ръчната прахосмукачка за изсмукване на химични продукти, каменен прах, гипс, цимент или други подобни частици.
- ▶ Уредът не е подходящ за възпламеняеми и експлозивни материали или химични и агресивни течности.
- ▶ Винаги съхранявайте уреда в затворени помещения. За да предотвратите злополуки, след употреба съхранявайте уреда на сухо място.
- ▶ При екстремни обстоятелства могат да се появят течове от клетките на батериите. При контакт на течността с кожата или очите засегнатото място трябва незабавно да се изплакне респ. измие с чиста вода. Потърсете лекарска помощ.
- ▶ Този уред може да се използва от деца на възраст над 8 години, както и от лица с ограничени физически, сетивни или умствени възможности или без опит и знания, ако са под наблюдение или са инструктирани по отношение на безопасната употреба на уреда и разбират опасностите, произтичащи от работата с него. Не допускайте деца да играят с уреда. Почистването и поддръжката от страна на потребителя не трябва да се извършват от деца, ако не са под наблюдение.

⚠ ПРЕДУПРЕЖДЕНИЕ! ОПАСНОСТ ОТ НАРАНЯВАНЕ!

- ▶ Използвайте само принадлежностите, препоръчани от производителя.
- ▶ Захранващият блок не трябва да се използва за други цели.
- ▶ Винаги хващайте щепсела, за да изключите уреда от мрежата.
- ▶ Обърнете непременно внимание на това, че ръчната прахосмукачка не трябва да се оставя до радиатори, фурни или други нагрети уреди или повърхности.
- ▶ Винаги внимавайте вентилационните отвори да са свободни. Нарушена циркулация на въздуха може да доведе до прегряване и повреда на уреда.
- ▶ Бъдете много внимателни, когато използвате ръчната прахосмукачка по стълби.
- ▶ Този продукт съдържа презареждащи се батерии. Не хвърляйте уреда в огън и не го излагайте на високи температури. Съществува опасност от експлозия!
- ▶ Преди да почистите ролката на четката, винаги сваляйте тялото на уреда от ръкохватката, за да избегнете включване по невнимание на ролката на четката.

ВНИМАНИЕ! ОПАСНОСТ ОТ МАТЕРИАЛНИ ЩЕТИ!

- ▶ Не използвайте ръчната прахосмукачка без поставен прахов филтър.
- ▶ Не използвайте зарядното устройство за друг продукт и не правете опити да зареждате този уред посредством друго зарядно устройство. Използвайте само зарядното устройство, доставено с този уред.
- ▶ Никога не зареждайте презареждащи се батерии!

Преди първата употреба

УКАЗАНИЕ

- ▶ Уредът се доставя с незаредени батерии. Преди първата употреба на уреда батериите трябва да се заредят в продължение на 6 часа.
- Отстранете всички опаковъчни материали, фолиа и стикери.

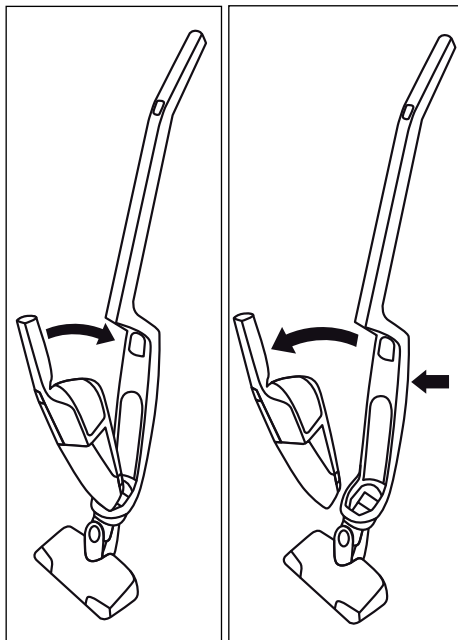
Зареждане на уреда

УКАЗАНИЕ

- ▶ Уверете се, че уредът е изключен, преди да започнете зареждането.
- За да зарядите уреда, включете зарядното устройство **18** в електрически контакт и поставете коаксиалния щепсел **19** в зарядната буска **22** на държача **23**. Вкарайте кабела през канала за кабела до зарядната буска **22** така, че държачът **23** да не стои върху кабела.
- Поставете ръкохватката с поставеното тяло на уреда **4** в държача **23**. Червената контролна лампичка за зареждането **3** свети. След като уредът се зареди, контролната лампичка за зареждането **3** свети зелено.

Монтаж/Демонтаж

Съединяване/Разединяване на тялото на уреда с/от ръкохватката



Фиг. 1

Фиг. 2

- За съединяване на тялото на уреда **4** с ръкохватката пхнете върха на тялото на уреда **4** в отвора на леглото за тялото на уреда **13**.
- След това натиснете дръжката **1** на тялото на уреда **4** в ръкохватката така, че тялото на уреда **4** да се фиксира и да стои стабилно (Фиг. 1).
- За разединяване на тялото на уреда **4** от ръкохватката натиснете приспособлението за деблокиране на тялото на уреда **12**.
- Дръпнете тялото на уреда **4** нагоре/напред от леглото за тялото на уреда **13** (Фиг. 2).

Работа с уреда

ВНИМАНИЕ! ОПАСНОСТ ОТ МАТЕРИАЛНИ ЩЕТИ!

- ▶ Смукателният отвор трябва винаги да е свободен и да не е задръстен. Задръстванията водят до прегряване и повреда на двигателя.
- ▶ Не изсмуквайте килими с висок косъм с приставката за под. Ролката на четката **14** се заплита в килима и блокира!

УКАЗАНИЕ

- ▶ Преди да използвате уреда, внимавайте винаги да са поставени праховият филтър **6** и филтърът за грубо пречистване **7**.
- ▶ Когато смукателната мощност намалее чувствително, свържете уреда отново със зарядното устройство **18**.

Употреба на тялото на уреда с ръкохватката

- 1) Поставете тялото на уреда **4** в леглото за тялото на уреда **13**, както е описано в глава „Монтаж/Демонтаж“.
- 2) Изтеглете ръкохватката **10**, като натиснете приспособлението за деблокиране на ръкохватката **11**, и същевременно дръпнете ръкохватката **10** нагоре.
- 3) Включете уреда с бутона за включване/изключване **9**. Светодиодното осветление **15** на приставката за под свети и ролката на четката **14** се върти.
- 4) Движете приставката за под по изсмукваните повърхности. Дръжте ръкохватката **10** така, че приставката за под да се плъзга хоризонтално на пода.
- 5) Натиснете бутона за включване/изключване **9**, когато искате да прекратите изсмукването. Ролката на четката **14** спира и светодиодното осветление **15** угасва.

Употреба на тялото на уреда

- 1) Разединете тялото на уреда **4** от леглото за тялото на уреда **13**, както е описано в глава „Монтаж/Демонтаж“.
- 2) Ако желаете, поставете приставката за фуги **17** или приставката с четка **16**.
- 3) Натиснете бутона за включване/изключване **2** и изсмучете желаните места.
- 4) Когато искате да прекратите изсмукването, натиснете още веднъж бутона за включване/изключване **2**.

Почистване и поддръжка

⚠ ПРЕДУПРЕЖДЕНИЕ! ОПАСНОСТ ОТ НАРАНЯВАНЕ!

- ▶ Винаги издърпвайте зарядното устройство **18** от контакта и разединявайте коаксиалния щепсел **19** от зарядната буска **22** на държача **23**, преди да почистите държача **23**.
- ▶ Винаги сваляйте тялото на уреда **4** от леглото за тялото на уреда **13** в ръкохватката, преди да почистите тялото на уреда **4**, ръкохватката или ролката на четката **14**.

За постигане на най-добри резултати след всяка употреба изпразвайте контейнера за смет **8** и почиствайте праховия филтър **6**.

ВНИМАНИЕ! ОПАСНОСТ ОТ МАТЕРИАЛНИ ЩЕТИ!

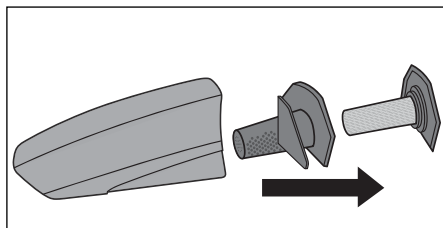
- ▶ Не използвайте абразивни или агресивни почистващи препарати. Те могат да повредят повърхността!

УКАЗАНИЕ

- ▶ Светодиодното осветление **15** не се нуждае от поддръжка. Светодиодите не могат да се сменят!

Изпразване на контейнера за смет

- 1) За да отворите контейнера за смет **8**, свалете тялото на уреда **4** от леглото за тялото на уреда **15**.
- 2) Натиснете едновременно двата бутона **5** и издърпайте контейнера за смет **8** нагоре. Сега можете да го свалите нагоре/напред.
- 3) Извадете праховия филтър **6**, като го издърпате с пръсти. Измийте праховия филтър **6** с чиста вода и го оставете да изсъхне на въздуха. Не използвайте горещ въздух, за да изсушите праховия филтър **6**.
- 4) Извадете филтъра за грубо пречистване **7**, като го издърпате.



Фиг. 3

- 5) Изпразнете контейнера за смет **8**.
- 6) Отново поставете първо филтъра за грубо пречистване **7** и след това сухия прахов филтър **6**.
- 7) Поставете отново контейнера за смет **8**, като първо поставите фиксатора в отвора на тялото на уреда **4** и след това натиснете силно надолу предната част на контейнера за смет **8** така, че контейнерът за смет **8** да се фиксира и да стои стабилно.

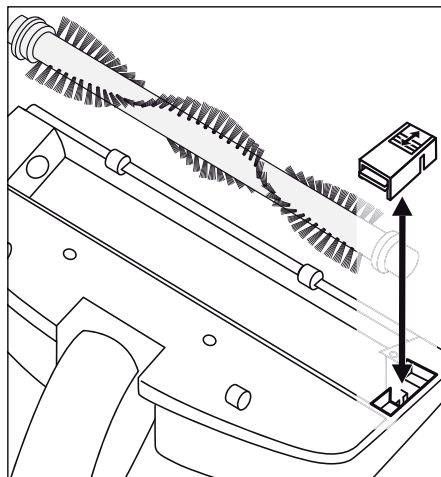
Почистване на уреда

Избърсвайте уреда с влажна кърпа. При упорити замърсявания използвайте мек миещ препарат върху кърпата. Внимавайте уредът да е напълно сух, преди да го използвате отново.

Почистване на ролката на четката

С времето по ролката на четката **14** могат да се съберат замърсявания, като напр. косми. За отстраняване на тези замърсявания можете да демонтирате ролката на четката **14** (Фиг. 4).

- 1) Обърнете приставката за под.
- 2) Тласнете блокировка на капака назад така, че да можете да свалите капака.
- 3) Извадете ролката на четката **14**.
- 4) За да поставите отново ролката на четката **14**, първо тласнете широкия край на задвижващия вал така, че ролката на четката **14** да се закачи на него.
- 5) След това тласнете другия край в държача така, че ролката на четката **14** да лежи право в приставката за под.
- 6) Поставете отново капака и го блокирайте.



Фиг. 4

Съхранение

- Когато не използвате уреда, го поставяйте в държача 23.
- Приставката за фуги 17 и приставката с четка 16 можете да поставите на гърба на държача 23 в държача за приставката за фуги 21 и в държача за приставката с четка 20.
- Съхранявайте уреда на сухо и защитено от прах място.

Отстраняване на неизправности

Уредът не функционира.

- Батерията не е заредена.
- ◆ Свържете уреда със зарядното устройство 18.
- Уредът е повреден.
- ◆ Обърнете се към сервизната служба.

Уредът работи, но не изсмуква.

- Батерията не е заредена достатъчно.
- ◆ Свържете уреда със зарядното устройство 18.
- Контейнерът за смет 8 е пълен.
- ◆ Изпразнете контейнера за смет 8.
- Праховият филтър 6 е задръстен.
- ◆ Почистете праховия филтър 6.

Уредът не се зарежда.

- Зарядното устройство 18 не е поставено правилно в буксата/щепсела.
- ◆ Проверете свързването на зарядното устройство 18.
- Зарядното устройство 18 е повредено.
- ◆ Обърнете се към сервизната служба.

Гаранция и сервиз

За този уред вие получавате гаранция от 3 години от датата на закупуване. Уредът е произведен старателно и е изпитан щателно преди доставката. Запазете касовата бележка като доказателство за покупката. Ако се наложи да се възползвате от гаранцията, първо се свържете по телефона със сервиза. Само по този начин може да се осигури безплатно връщане на вашата стока.

Предоставянето на гаранция важи само за материални или фабрични дефекти, но не и за транспортни щети, износващи се части или при повреда на лесно чупливи части, напр. превключватели или акумулаторни батерии. Продуктът е предназначен единствено за битова, а не за професионална употреба. При неправилна и нецелесъобразна употреба, упражняване на сила или ремонтни дейности, които не са извършени от нашия оторизиран сервизен филиал, гаранцията отпада. Законите ви права не се ограничават от тази гаранция.

Гаранционният срок не се удължава от гаранцията. Това важи и за сменени и ремонтирани части. Евентуално наличните още при закупуването повреди и дефекти трябва да се съобщят незабавно след разопаковането, но най-късно два дни след датата на закупуване. След като изтече гаранционният срок, ремонтите се заплащат.

BG Сервизно обслужване България

Тел.: 00800 111 4920

Е-мейл: kompnass@lidl.bg

IAN 100116

Работно време на горещата линия:

понеделник до петък от 8:00 ч. – 20:00 ч.
(централноевропейско време)

Предаване за отпадъци

Предаване на уреда за отпадъци



В никакъв случай не изхвърляйте уреда с обикновените битови отпадъци. Този продукт подлежи на европейската директива 2012/19/EU.

Предайте уреда за отпадъци чрез лицензирана фирма за управление на отпадъци или общинската служба за управление на отпадъците.

Спазвайте действащите в момента разпоредби. В случай на съмнение се обърнете към местния пункт за събиране на отпадъци.

Изхвърляне на батерии/ акумулаторни батерии



Батериите/Акумулаторните батерии не трябва да се изхвърлят заедно с битовите отпадъци.

По закон всеки потребител е длъжен да предава батериите/акумулаторните батерии в събирателен пункт в общината, квартала или търговската мрежа.

Това задължение е в услуга на екологосъобразното предаване за отпадъци на батерии/акумулаторни батерии. Връщайте батериите/акумулаторните батерии само в разредено състояние.

ВНИМАНИЕ! ОПАСНОСТ ОТ МАТЕРИАЛНИ ЩЕТИ!

► В случай че отворите уреда и изхвърлите батериите, уредът е непоправимо повреден!

- 1) Разредете напълно батерията, преди да започнете демонтажа на батерията.
- 2) Свалете контейнера за смет **8**.
- 3) Развийте 5-те винта на гърба на тялото на уреда **4** и разединете двете половини на корпуса.
- 4) Издърпайте двигателя от съответната половина на корпуса.
- 5) Развийте двата винта на пластмасовия държач, който държи синята батерия и извадете пластмасовия държач.

- 6) Прекъснете с клещи – поединично и един след друг – проводниците, които водят до синята батерия. Внимавайте с металните части на клещите да не свържете на късо оголените краища на проводниците.
- 7) Извадете батерията и я изхвърлете, като спазвате екологичните изисквания.



Опаковката е произведена от екологични материали, които могат да се предават в местните пунктове за рециклиране.

Вносител

KOMPERNASS HANDELS GMBH

BURGSTRASSE 21

44867 BOCHUM

GERMANY

www.kompernass.com

Inhaltsverzeichnis

Einleitung	42
Bestimmungsgemäßer Gebrauch	42
Lieferumfang	42
Gerätebeschreibung	42
Technische Daten	43
Sicherheitshinweise	43
Vor dem ersten Gebrauch	46
Gerät aufladen	46
Montage/Demontage	46
Handteil mit Stiel verbinden / vom Stiel lösen	46
Bedienen	47
Handteil mit Stiel verwenden	47
Handteil verwenden	47
Reinigung und Pflege	47
Schmutzbehälter leeren	48
Gerät reinigen	48
Bürstenrolle reinigen	48
Lagerung	49
Fehlerbehebung	49
Garantie und Service	49
Entsorgung	50
Gerät entsorgen	50
Batterien/Akkus entsorgen	50
Importeur	50

AKKU-HAND- UND -BODEN-STAUBSAUGER SHSS 12 B2

Einleitung

Herzlichen Glückwunsch zum Kauf Ihres neuen Gerätes.

Sie haben sich damit für ein hochwertiges Produkt entschieden. Die Bedienungsanleitung ist Bestandteil dieses Produkts. Sie enthält wichtige Hinweise für Sicherheit, Gebrauch und Entsorgung. Machen Sie sich vor der Benutzung des Produkts mit allen Bedien- und Sicherheitshinweisen vertraut. Benutzen Sie das Produkt nur wie beschrieben und für die angegebenen Einsatzbereiche. Händigen Sie alle Unterlagen bei Weitergabe des Produkts an Dritte mit aus.

Bestimmungsgemäßer Gebrauch

Dieses Gerät dient ausschließlich dem Saugen von trockenen Oberflächen bzw. trockenem Sauggut. Dieses Gerät ist ausschließlich für die Benutzung in privaten Haushalten bestimmt. Das Gerät darf nicht dazu verwendet werden Menschen oder Tiere abzusaugen. Jede andere Verwendung oder Veränderung des Gerätes gilt als nicht bestimmungsgemäß und birgt erhebliche Unfallgefahren. Der Hersteller haftet nicht für Schäden, die durch nicht bestimmungsgemäßen Gebrauch oder falsche Bedienung verursacht werden. Das Gerät ist nicht für den gewerblichen Gebrauch bestimmt.

Lieferumfang

Handstaubsauger

Bürstendüse

Fugendüse

Verlängerungsstiel mit Bodendüse

Halterung (mit Ladebuchse)

Ladegerät

Bedienungsanleitung

Kontrollieren Sie direkt nach dem Auspacken den Lieferumfang auf Vollständigkeit.

Gerätebeschreibung

Abbildung A:

- ❶ Griff Handteil
- ❷ Ein-/Aus-Schalter
- ❸ Ladekontrollleuchte
- ❹ Handteil
- ❺ Tasten ▲
- ❻ Staubfilter
- ❼ Grobfilter
- ❽ Schmutzbehälter

Abbildung B:

- ❾ Ein-/Aus-Schalter
- ❿ Griff
- ⓫ Entriegelung „Griff“
- ⓬ Entriegelung „Handteil“
- ⓭ Handteilmulde
- ⓮ Bürstenrolle
- ⓯ LED - Beleuchtung

Abbildung C:

- ⓶ Bürstendüse
- ⓷ Fugendüse
- ⓸ Ladegerät
- ⓹ Hohlstecker Ladegerät
- ⓺ Halterung Bürstendüse
- ⓻ Halterung Fugendüse
- ⓼ Ladebuchse
- ⓽ Halterung (mit Ladebuchse)

Technische Daten

Ladegerät

Eingang: 100 - 240 V ~, 50 / 60 Hz,
300 mA max.

Ausgang: 13,5 V \equiv 500 mA

Typenbezeichnung: SHSS 12 B2-1

Schutzklasse: II / \square

Bodendüse

Nennleistung: 5 W

Schutzklasse: III / \diamond

Eingangsspannung: 10,8 V \equiv 1800 mAh

Gerät

Eingangsspannung/-strom: 13,5 V \equiv 500 mA

Nennleistung: 75 W

Schutzklasse: III / \diamond

Akkus: Li-Ion (10,8 V) \equiv 1800 mAh

Akku-Pack: 3 Zellen zu je 3,6 V

Betriebszeit bei voller Akkuladung
(abhängig vom Bodenbelag): ca. 15 Min

Ladezeit bei leerem Akku: 5 - 6 Std.

Sicherheitshinweise

⚠ GEFAHR - ELEKTRISCHER SCHLAG!

- ▶ Laden bzw. verwenden Sie dieses Gerät nicht im Freien.
- ▶ Den Handstaubsauger niemals gebrauchen, wenn Kabel, Stecker oder Gehäuse beschädigt sind.
- ▶ Lassen Sie beschädigte Netzstecker oder Netzkabel sofort von autorisiertem Fachpersonal austauschen, um Gefährdungen zu vermeiden.
- ▶ Lassen Sie Reparaturen nur von einer Fachwerkstatt durchführen. Öffnen Sie unter keinen Umständen selbst das Gerät. Eingriffe, die nicht durch einen Fachbetrieb vorgenommen wurden, können zu Verletzungen führen.
- ▶ Überzeugen Sie sich vor dem Laden des Gerätes, dass die in den technischen Daten des Netzteil/Ladegerät verzeichnete Spannung der Netzspannung entspricht.
- ▶ Fassen Sie das Netzteil/Ladegerät oder das Gerät nicht mit nassen oder feuchten Händen an.
- ▶ Verwenden Sie das Netzteil/Ladegerät nicht mit einem Verlängerungskabel, sondern verbinden Sie das Netzteil direkt mit einer Steckdose.

⚠️ WARNUNG! VERLETZUNGSGEFAHR!

- ▶ Wechseln Sie keine Zubehörteile aus, wenn das Gerät in Betrieb ist.
- ▶ Benutzen Sie den Handstaubsauger nicht zum Aufsaugen von Wasser oder anderen Flüssigkeiten.
- ▶ Benutzen Sie den Handstaubsauger nicht zum Aufsaugen von spitzen Gegenständen oder Glasscherben.
- ▶ Niemals brennende Streichhölzer, glimmende Asche oder Zigarettenstummel aufsaugen.
- ▶ Gebrauchen Sie den Handstaubsauger nicht zum Aufsaugen von chemischen Produkten, Steinstaub, Gips, Zement, oder anderen ähnlichen Partikeln.
- ▶ Das Gerät ist nicht für entflammbare und explosive Stoffe oder chemische und aggressive Flüssigkeiten geeignet.
- ▶ Lagern Sie das Gerät immer in geschlossenen Räumen. Um Unfälle zu verhindern, bewahren Sie das Gerät nach Gebrauch an einem trockenen Ort auf.
- ▶ Unter extremen Bedingungen können Leckagen an den Akkuzellen auftreten. Bei Kontakt der Flüssigkeit mit Haut oder Augen ist die betreffende Stelle sofort mit sauberem Wasser aus- bzw. abzuspülen. Suchen Sie einen Arzt auf.
- ▶ Dieses Gerät kann von Kindern ab 8 Jahren und darüber sowie von Personen mit verringerten physischen, sensorischen oder mentalen Fähigkeiten oder Mangel an Erfahrung und Wissen benutzt werden, wenn sie beaufsichtigt oder bezüglich des sicheren Gebrauchs des Gerätes unterwiesen wurden und die daraus resultierenden Gefahren verstehen. Kinder dürfen nicht mit dem Gerät spielen. Reinigung und Benutzer-Wartung dürfen nicht von Kindern ohne Beaufsichtigung durchgeführt werden.

⚠️ WARNUNG! VERLETZUNGSGEFAHR!

- ▶ Verwenden Sie nur Zubehörteile, die vom Hersteller empfohlen werden.
- ▶ Das Netzteil darf nicht für andere Zwecke benutzt werden.
- ▶ Fassen Sie immer den Netzstecker an, um das Gerät von der Stromversorgung zu trennen.
- ▶ Achten Sie unbedingt darauf, dass Sie den Handstaubsauger nicht neben Heizkörpern, Backöfen oder anderen erhitzten Geräten oder Flächen abstellen.
- ▶ Achten Sie immer darauf, dass die Lüftungsschlitze frei sind. Ein blockierter Luftkreislauf kann zur Überhitzung und Beschädigung des Gerätes führen.
- ▶ Üben Sie besondere Sorgfalt aus, wenn Sie den Handstaubsauger auf Treppen benutzen. Sturzgefahr!
- ▶ Dieses Produkt enthält wiederaufladbare Akkus. Werfen Sie das Gerät nicht ins Feuer und setzen Sie es nicht hohen Temperaturen aus. Es besteht Explosionsgefahr!
- ▶ Nehmen Sie vor dem Reinigen der Bürstenrolle immer das Handteil aus dem Stiel, um versehentliches Starten der Bürstenrolle zu vermeiden.

ACHTUNG! SACHSCHADEN!

- ▶ Benutzen Sie den Handstaubsauger nicht ohne eingesetzten Staubfilter.
- ▶ Benutzen Sie das Ladegerät nicht für ein anderes Produkt und versuchen Sie nicht, dieses Gerät mittels eines anderen Ladegerätes aufzuladen. Verwenden Sie nur das mit diesem Gerät gelieferte Ladegerät.
- ▶ Laden Sie niemals nicht wiederaufladbare Batterien auf!

Vor dem ersten Gebrauch

HINWEIS

- ▶ Das Gerät wird mit nicht geladenen Akkus geliefert. Vor dem ersten Gebrauch des Gerätes sind die Akkus zunächst für 6 Stunden zu laden.
- Entfernen Sie alle Verpackungsmaterialien und Schutzkleber vom Gerät, insbesondere den Schutzkleber an den Kontakten auf der Rückseite des Handteils 4.

Gerät aufladen

HINWEIS

- ▶ Vergewissern Sie sich, dass das Gerät ausgeschaltet ist, bevor Sie mit dem Laden beginnen.
- Um das Gerät aufzuladen, verbinden Sie das Ladegerät 18 mit einer Netzsteckdose und stecken Sie den Hohlstecker 19 in die Ladebuchse 22 an der Halterung 23. Führen Sie das Kabel durch den Kabelkanal an der Ladebuchse 22, so dass die Halterung 23 nicht auf dem Kabel steht.
- Stellen Sie den Stiel mit eingesetztem Handteil 4 auf die Halterung 23. Die rote Ladekontrollleuchte 3 leuchtet. Wenn das Gerät aufgeladen ist, leuchtet die Ladekontrollleuchte 3 grün.

Montage/Demontage

Handteil mit Stiel verbinden / vom Stiel lösen

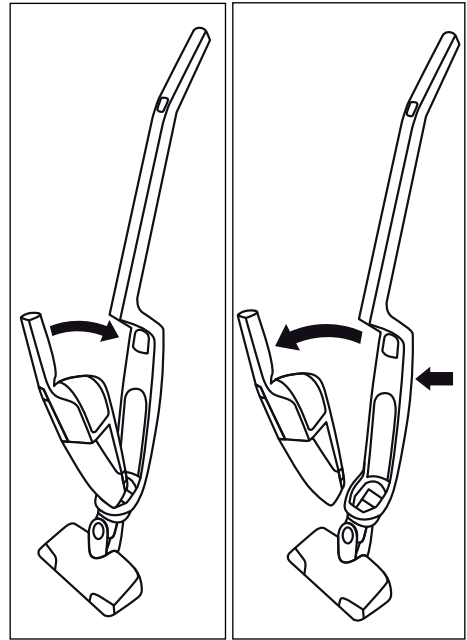


Abb. 1

Abb. 2

- Um das Handteil 4 mit dem Stiel zu verbinden, schieben Sie die Spitze des Handteils 4 in die Aussparung der Handteilmulde 15.
- Drücken Sie dann den Griff 1 des Handteils 4 in den Stiel, so dass das Handteil 4 einrastet und fest sitzt (Abb. 1).
- Um das Handteil 4 vom Stiel zu lösen, drücken Sie die Entriegelung „Handteil“ 12.
- Ziehen Sie das Handteil 4 nach oben/vorne aus der Handteilmulde 15 (Abb. 2).

Bedienen

ACHTUNG! SACHSCHADEN!

- ▶ Die Saugöffnung muss jederzeit frei und darf nicht verstopft sein. Verstopfungen führen zu Überhitzung und Beschädigung des Motors.
- ▶ Saugen Sie keine hochflorigen Teppiche mit der Bodendüse. Die Bürstenrolle 14 verfängt sich im Teppich und blockiert!

HINWEIS

- ▶ Achten Sie darauf, dass der Staubfilter 6 und der Grobfilter 7 immer eingesetzt sind, bevor Sie das Gerät verwenden.
- ▶ Sobald die Saugleistung spürbar nachlässt, verbinden Sie das Gerät wieder mit dem Ladegerät 18.

Handteil mit Stiel verwenden

- 1) Setzen Sie das Handteil 4 in die Handteilmulde 15 wie im Kapitel „Montage/Demontage“ beschrieben.
- 2) Klappen Sie den Griff 10 aus, indem Sie die Entriegelung „Griff“ 11 drücken und gleichzeitig den Griff 10 nach oben ziehen.
- 3) Schalten Sie das Gerät am Ein-/Aus-Schalter 9 ein. Die LED -Beleuchtung 15 an der Bodendüse leuchtet und die Bürstenrolle 14 dreht sich.
- 4) Fahren Sie mit der Bodendüse über die zu saugenden Stellen. Halten Sie den Griff 10 dabei so, dass die Bodendüse plan über den Boden gleitet.
- 5) Drücken Sie den Ein-/Aus-Schalter 9, wenn Sie das Saugen beenden wollen. Die Bürstenrolle 14 stoppt und die LED - Beleuchtung 15 erlischt.

Handteil verwenden

- 1) Lösen Sie das Handteil 4 aus der Handteilmulde 15 wie im Kapitel „Montage/Demontage“ beschrieben.
- 2) Setzen Sie, wenn gewünscht, die Fugendüse 17 oder die Bürstendüse 16 auf.
- 3) Drücken Sie den Ein-/Aus-Schalter 2 und saugen Sie die gewünschten Stellen.
- 4) Wenn Sie das Saugen beenden wollen, drücken Sie noch einmal den Ein-/Aus-Schalter 2.

Reinigung und Pflege

⚠️ WARNUNG! VERLETZUNGSGEFAHR!

- ▶ Ziehen Sie immer das Ladegerät 18 aus der Netzsteckdose und lösen Sie den Hohlstecker 19 aus der Ladebuchse 22 an der Halterung 23, bevor Sie die Halterung 23 reinigen.
- ▶ Nehmen Sie das Handteil 4 immer aus der Handteilmulde 15 am Stiel, bevor Sie das Handteil 4, den Stiel oder die Bürstenrolle 14 reinigen.

Um beste Ergebnisse zu erzielen, leeren Sie den Schmutzbehälter 8 und reinigen Sie den Staubfilter 6 nach jedem Gebrauch.

ACHTUNG! SACHSCHADEN!

- ▶ Verwenden Sie keine scheuernden oder aggressiven Reinigungsmittel. Diese können die Oberfläche beschädigen!

HINWEIS

- ▶ Die LED - Beleuchtung 15 ist wartungsfrei. Die LEDs können nicht ausgewechselt werden!

Schmutzbehälter leeren

- 1) Um den Schmutzbehälter **8** zu öffnen, nehmen Sie das Handteil **4** aus der Handteilmulde **13**.
- 2) Drücken Sie gleichzeitig die beiden Tasten **▲** **5** und ziehen Sie gleichzeitig den Schmutzbehälter **8** nach oben. Sie können diesen nun nach oben/vorne abheben.
- 3) Entnehmen Sie den Staubfilter **6**, indem Sie ihn mit den Fingern herausziehen. Spülen Sie den Staubfilter **6** in klarem Wasser aus und lassen Sie ihn an der Luft trocknen. Benutzen Sie keine heiße Luft, um den Staubfilter **6** zu trocknen.
- 4) Entnehmen Sie dann den Grobfilter **7**, indem Sie auch diesen herausziehen.

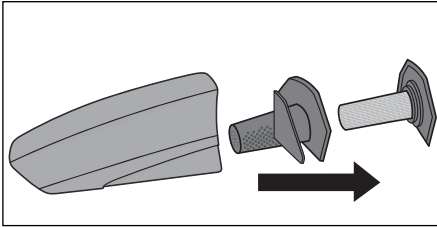


Abb. 3

- 5) Entleeren Sie den Schmutzbehälter **8**.
- 6) Setzen Sie erst den Grobfilter **7** und dann den trockenen Staubfilter **6** wieder ein.
- 7) Setzen Sie den Schmutzbehälter **8** wieder ein, indem Sie die Arretierung zuerst in die Aussparung am Handteil **4** schieben und dann den vorderen Teil des Schmutzbehälters **8** kräftig herunter drücken, so dass der Schmutzbehälter **8** einrastet und fest sitzt.

Gerät reinigen

Wischen Sie das Gerät mit einem feuchten Tuch ab. Bei hartnäckigen Verschmutzungen geben Sie ein mildes Spülmittel auf das Tuch. Achten Sie darauf, dass das Gerät vor der erneuten Benutzung wieder vollständig trocken ist.

Bürstenrolle reinigen

An der Bürstenrolle **14** kann sich mit der Zeit Schmutz, wie z.B. Haare, festsetzen. Um diesen Schmutz zu entfernen können Sie die Bürstenrolle **14** ausbauen (Abb. 4).

- 1) Drehen Sie die Bodendüse um.
- 2) Schieben Sie die Verriegelung an der Abdeckplatte nach hinten, so dass Sie die Abdeckplatte abnehmen können.
- 3) Heben Sie die Bürstenrolle **14** raus.
- 4) Um die Bürstenrolle **14** wieder einzusetzen, schieben Sie zuerst das breite Ende auf die Antriebswelle, so dass die Bürstenrolle **14** dort eingehakt ist.
- 5) Dann schieben Sie das andere Ende in die Aufnahme, so dass die Bürstenrolle **14** grade in der Bodendüse liegt.
- 6) Setzen Sie die Abdeckplatte wieder auf und verriegeln Sie sie.

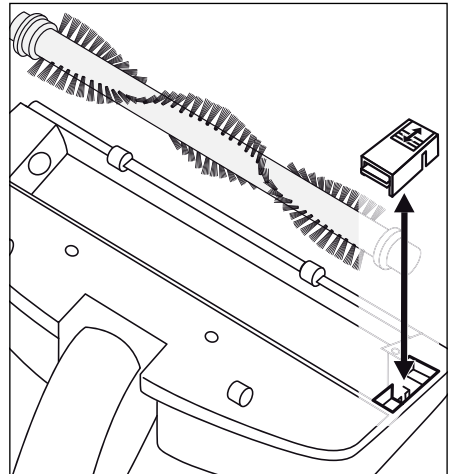


Abb. 4

Lagerung

- Wenn Sie das Gerät nicht benutzen, stellen Sie es auf die Halterung 23.
- Die Fugendüse 17 und die Bürstendüse 16 können Sie auf die Rückseite der Halterung 23 auf die Halterung Bürstendüse 20 und die Halterung Fugendüse 21 stecken.
- Bewahren Sie das Gerät an einem staubfreien und trockenen Ort auf.

Fehlerbehebung

Das Gerät funktioniert nicht.

- Der Akku ist nicht aufgeladen.
- ◆ Verbinden Sie das Gerät mit dem Ladegerät 18.
- Das Gerät ist defekt.
- ◆ Wenden Sie sich an den Kundendienst.

Das Gerät läuft, saugt aber kaum den Schmutz auf.

- Der Akku ist nicht ausreichend geladen.
- ◆ Verbinden Sie das Gerät mit dem Ladegerät 18.
- Der Schmutzbehälter 8 ist voll.
- ◆ Leeren Sie den Schmutzbehälter 8.
- Der Staubfilter 6 ist verstopft.
- ◆ Reinigen Sie den Staubfilter 6.

Das Gerät lädt sich nicht auf.

- Das Ladegerät 18 steckt nicht korrekt in der Buchse/dem Netzstecker.
- ◆ Kontrollieren Sie die Anschlüsse des Ladegerätes 18.
- Das Ladegerät 18 ist defekt.
- ◆ Wenden Sie sich an den Kundendienst.

Garantie und Service

Sie erhalten auf dieses Gerät 3 Jahre Garantie ab Kaufdatum. Das Gerät wurde sorgfältig produziert und vor Anlieferung gewissenhaft geprüft. Bitte bewahren Sie den Kassenbon als Nachweis für den Kauf auf. Bitte setzen Sie sich im Garantiefall mit Ihrer Servicestelle telefonisch in Verbindung. Nur so kann eine kostenlose Einsendung Ihrer Ware gewährleistet werden.

Die Garantieleistung gilt nur für Material- oder Fabrikationsfehler, nicht aber für Transportschäden, Verschleißteile oder für Beschädigungen an zerbrechlichen Teilen, z. B. Schalter oder Akkus. Das Produkt ist lediglich für den privaten und nicht für den gewerblichen Gebrauch bestimmt. Bei missbräuchlicher und unsachgemäßer Behandlung, Gewaltanwendung und bei Eingriffen, die nicht von unserer autorisierten Service-Niederlassung vorgenommen wurden, erlischt die Garantie. Ihre gesetzlichen Rechte werden durch diese Garantie nicht eingeschränkt.

Die Garantiezeit wird durch die Gewährleistung nicht verlängert. Dies gilt auch für ersetzte und reparierte Teile. Eventuell schon beim Kauf vorhandene Schäden und Mängel müssen sofort nach dem Auspacken gemeldet werden, spätestens aber zwei Tage nach Kaufdatum. Nach Ablauf der Garantiezeit anfallende Reparaturen sind kostenpflichtig.

DE Service Deutschland

Tel.: 0800 5435 111 (Kostenfrei aus dem dt. Festnetz/Mobilfunknetz)
E-Mail: kompernass@lidl.de

IAN 100116

AT Service Österreich

Tel.: 0820 201 222 (0,15 EUR/Min.)
E-Mail: kompernass@lidl.at

IAN 100116

CH Service Schweiz

Tel.: 0842 665566 (0,08 CHF/Min., Mobilfunk max. 0,40 CHF/Min.)
E-Mail: kompernass@lidl.ch

IAN 100116

Erreichbarkeit Hotline: Montag bis Freitag von 8:00 Uhr – 20:00 Uhr (MEZ)

Entsorgung

Gerät entsorgen



Werfen Sie das Gerät keinesfalls in den normalen Hausmüll. Dieses Produkt unterliegt der europäischen Richtlinie 2012/19/EU.

Entsorgen Sie das Gerät über einen zugelassenen Entsorgungsbetrieb oder über Ihre kommunale Entsorgungseinrichtung. Beachten Sie die aktuell geltenden Vorschriften. Setzen Sie sich im Zweifelsfall mit Ihrer Entsorgungseinrichtung in Verbindung.

Batterien/Akkus entsorgen



Batterien/Akkus dürfen nicht im Hausmüll entsorgt werden.

Jeder Verbraucher ist gesetzlich verpflichtet, Batterien/Akkus bei einer Sammelstelle seiner Gemeinde/ seines Stadtteils oder im Handel abzugeben.

Diese Verpflichtung dient dazu, dass Batterien/Akkus einer umweltschonenden Entsorgung zugeführt werden können. Geben Sie Batterien/Akkus nur im entladenen Zustand zurück.

ACHTUNG! SACHSCHADEN!

► Wenn Sie das Gerät öffnen und die Akkus entsorgen ist das Gerät irreparabel beschädigt!

- 1) entladen Sie den Akku vollständig, bevor Sie mit dem Ausbau des Akkus beginnen.
- 2) Nehmen Sie den Schmutzbehälter **8** ab.
- 3) Lösen Sie die 5 Schrauben auf der Rückseite des Handteils **4** und nehmen Sie die beiden Gehäusehälften auseinander.
- 4) Ziehen Sie den Motor aus der Gehäusehälfte.
- 5) Lösen Sie die beiden Schrauben an der Plastikhalterung, die den blauen Akku hält und entnehmen Sie die Plastikhalterung.
- 6) Knipsen Sie mit einer Zange die Adern, die zu dem blauen Akku führen, einzeln und nacheinander durch. Achten Sie darauf, dass Sie die blanken Leitungsenden nicht mit den Metallteilen der Zange kurzschließen.

- 7) Entnehmen Sie den Akku und entsorgen Sie diesen umweltgerecht.



Die Verpackung besteht aus umweltfreundlichen Materialien, die Sie über die örtlichen Recyclingstellen entsorgen können.

Importeur

KOMPERNASS HANDELS GMBH

BURGSTRASSE 21

44867 BOCHUM

GERMANY

www.kompernass.com



KOMPERNASS HANDELS GMBH

BURGSTRASSE 21

44867 BOCHUM

DEUTSCHLAND / GERMANY

www.kompernass.com

Last Information Update · Stanje informacija · Versiunea informațiilor

Актуалност на информацията · Stand der Informationen:

09 / 2014 · Ident.-No.: SHSS12B2-082014-2

IAN 100116

