



PDF ONLINE
www.lidl-service.com

DEMOLITION HAMMER PAH 1300 B2

GB IE NI CY

DEMOLITION HAMMER

Translation of the original instructions

DE AT CH

ABBRUCHHAMMER

Originalbetriebsanleitung

GR CY

ΣΚΑΠΤΙΚΟ ΔΡΑΠΑΝΟ ΜΕ ΚΑΛΕΜΙ

Μετάφραση των αυθεντικών οδηγιών λειτουργίας

IAN 353936_2010



GB IE NI CY

Before reading, unfold the page containing the illustrations and familiarise yourself with all functions of the device.

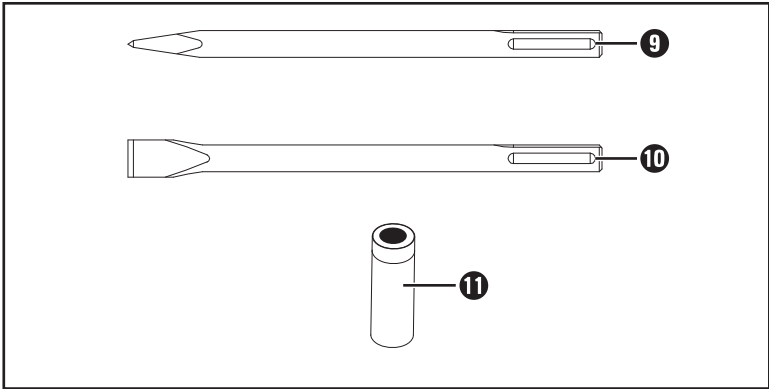
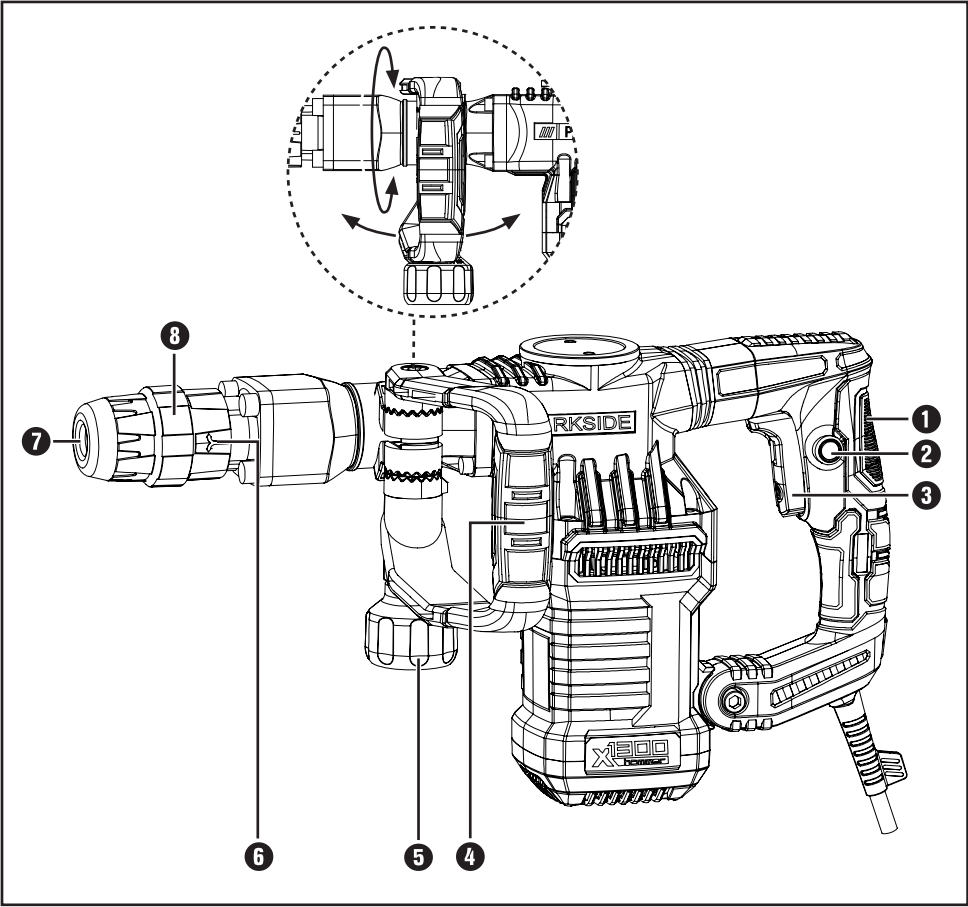
GR CY

Πριν ξεκινήσετε την ανάγνωση, ανοίξτε τη σελίδα με τις εικόνες και εξοικειωθείτε με όλες τις λειτουργίες της συσκευής.

DE AT CH

Klappen Sie vor dem Lesen die Seite mit den Abbildungen aus und machen Sie sich anschließend mit allen Funktionen des Gerätes vertraut.

GB/IE/NI/CY	Translation of the original instructions	Page	1
GR/CY	Μετάφραση των αυθεντικών οδηγιών λειτουργίας	Σελίδα	11
DE/AT/CH	Originalbetriebsanleitung	Seite	21



Contents

Introduction	2
Intended use	2
Depicted components	2
Package contents	2
Technical data	2
General Power Tool Safety Warnings	3
1. Work area safety	3
2. Electrical safety	4
3. Personal safety	4
4. Power tool use and care	5
5. Service	5
Appliance-specific safety instructions for hammers	5
Installation	6
Additional handle	6
Fitting a tool	6
Removing a tool	6
Adjust chisel position	6
Operation	6
Switching on and off	6
Maintenance and cleaning	7
Disposal	7
Kompernass Handels GmbH warranty	8
Service	9
Importer	9
Translation of the original Conformity Declaration	10

DEMOLITION HAMMER PAH 1300 B2

Introduction

Congratulations on the purchase of your new appliance. You have selected a high-quality product. The operating instructions are part of this product. They contain important information on safety, usage and disposal. Before using the product, please familiarise yourself with all operating and safety instructions. Use the product only as described and for the specified areas of application. Please also pass on these operating instructions to any future owner.

Intended use

The demolition hammer PAH 1300 B2 is suitable for chiselling into concrete, stone and plaster.

Any other usage of or modification to the appliance is deemed to be improper and carries a significant risk of accidents.

The manufacturer accepts no responsibility for damage(s) attributable to misuse.

The appliance is not intended for commercial use.


Depicted components

- 1 Handle (rubberised grip)
- 2 Locking switch
- 3 ON/OFF switch
- 4 Additional handle
- 5 Knurled nut for additional handle
- 6 Chisel adjustment ring
- 7 Tool holder
- 8 Locking collar
- 9 Pointed chisel
- 10 Flat chisel
- 11 Grease

Package contents

- 1 demolition hammer PAH 1300 B2
- 1 additional handle (pre-assembled)
- 1 flat chisel
- 1 pointed chisel
- 1 carrying case
- 50 g grease
- 1 set of operating instructions

Technical data

Nominal power	1300 W
Rated voltage	230 V ~, 50 Hz (alternating current)
Stroke rate	3800 bpm
Impact energy	15 Joules
Tool fitting	SDS MAX
Protection class	II /  (double shielded)

Noise emission value

Noise measurement value determined in accordance with EN 60745. The A-rated noise level of the power tool is typically as follows:

Chiselling

Sound pressure level	$L_{pA} = 88.8 \text{ dB (A)}$
Uncertainty	$K = 2.36 \text{ dB}$
Sound power level	$L_{WA} = 102.8 \text{ dB (A)}$
Uncertainty	$K = 2.36 \text{ dB}$

Wear hearing protection!



Guaranteed sound power level LWA in dB.

Total vibration value

Total vibration values (vector total of three directions) determined in accordance with EN 60745

Main handle

Chiselling $a_{h(CH\text{eq})} = 16.7 \text{ m/s}^2, K = 1.5 \text{ m/s}^2$

Auxiliary handle

Chiselling $a_{h(CH\text{eq})} = 14.8 \text{ m/s}^2, K = 1.5 \text{ m/s}^2$

NOTE

- ▶ The vibration level specified in these instructions has been measured in accordance with a standardised measuring procedure and can be used to make equipment comparisons. The specified vibration emission value can also be used to make an initial exposure estimate.

⚠ WARNING!

- ▶ The vibration level varies in accordance with the use of the power tool and may be higher than the value specified in these instructions in some cases. Regular use of the electric tool in such a way may cause the user to underestimate the vibration. Try to keep the vibration loads as low as possible. Measures to reduce the vibration load are, e.g. wearing gloves and limiting the working time. Wherein all states of operation must be included (e.g. times when the power tool is switched off and times where the power tool is switched on but running without load).



General Power Tool Safety Warnings



⚠ WARNING!

- ▶ **Read all safety warnings and all instructions.** Failure to follow the warnings and instructions may result in electric shock, fire and/or serious injury.

Save all warnings and instructions for future reference.

The term "power tool" in the warnings refers to your mains-operated (corded) power tool or battery-operated (cordless) power tool.

1. Work area safety

- Keep work area clean and well lit.** Cluttered or dark areas invite accidents.
- Do not operate power tools in explosive atmospheres, such as in the presence of flammable liquids, gases or dust.** Power tools create sparks which may ignite the dust or fumes.
- Keep children and bystanders away while operating a power tool.** Distractions can cause you to lose control.

2. Electrical safety

- a) **Power tool plugs must match the outlet. Never modify the plug in any way. Do not use any adapter plugs with earthed (grounded) power tools.** Unmodified plugs and matching outlets will reduce risk of electric shock.
- b) **Avoid body contact with earthed or grounded surfaces, such as pipes, radiators, ranges and refrigerators.** There is an increased risk of electric shock if your body is earthed or grounded.
- c) **Do not expose power tools to rain or wet conditions.** Water entering a power tool will increase the risk of electric shock.
- d) **Do not abuse the cord. Never use the cord for carrying, pulling or unplugging the power tool. Keep cord away from heat, oil, sharp edges or moving parts.** Damaged or entangled cords increase the risk of electric shock.
- e) **When operating a power tool outdoors, use an extension cord suitable for outdoor use.** Use of a cord suitable for outdoor use reduces the risk of electric shock.
- f) **If operating a power tool in a damp location is unavoidable, use a residual current device (RCD) protected supply.** Use of an RCD reduces the risk of electric shock.

3. Personal safety

- a) **Stay alert, watch what you are doing and use common sense when operating a power tool. Do not use a power tool while you are tired or under the influence of drugs, alcohol or medication.** A moment of inattention while operating power tools may result in serious personal injury.
- b) **Use personal protective equipment. Always wear eye protection.** Protective equipment such as dust mask, non-skid safety shoes, hard hat, or hearing protection used for appropriate conditions will reduce personal injuries.
- c) **Prevent unintentional starting. Ensure the switch is in the off position before connecting to power source and/or battery pack, picking up or carrying the tool.** Carrying power tools with your finger on the switch or energising power tools that have the switch on invites accidents.
- d) **Remove any adjusting key or wrench before turning the power tool on.** A wrench or a key left attached to a rotating part of the power tool may result in personal injury.
- e) **Do not overreach. Keep proper footing and balance at all times.** This enables better control of the power tool in unexpected situations.
- f) **Dress properly. Do not wear loose clothing or jewellery. Keep your hair, clothing and gloves away from moving parts.** Loose clothes, jewellery or long hair can be caught in moving parts.
- g) **If devices are provided for the connection of dust extraction and collection facilities, ensure these are connected and properly used.** Use of dust collection can reduce dust-related hazards.



4. Power tool use and care

- a) Do not force the power tool. Use the correct power tool for your application. The correct power tool will do the job better and safer at the rate for which it was designed.
- b) Do not use the power tool if the switch does not turn it on and off. Any power tool that cannot be controlled with the switch is dangerous and must be repaired.
- c) Disconnect the plug from the power source and/or the battery pack from the power tool before making any adjustments, changing accessories, or storing power tools. Such preventive safety measures reduce the risk of starting the power tool accidentally.
- d) Store idle power tools out of the reach of children and do not allow persons unfamiliar with the power tool or these instructions to operate the power tool. Power tools are dangerous in the hands of untrained users.
- e) Maintain power tools. Check for misalignment or binding of moving parts, breakage of parts and any other condition that may affect the power tool's operation. If damaged, have the power tool repaired before use. Many accidents are caused by poorly maintained power tools.
- f) Keep cutting tools sharp and clean. Properly maintained cutting tools with sharp cutting edges are less likely to bind and are easier to control.
- g) Use the power tool, accessories and tool bits etc. in accordance with these instructions, taking into account the working conditions and the work to be performed. Use of the power tool for operations different from those intended could result in a hazardous situation.

5. Service

- a) Have your power tool serviced by a qualified repair person using only identical replacement parts. This will ensure that the safety of the power tool is maintained.

Appliance-specific safety instructions for hammers

-  Wear hearing protection. The effect of noise can lead to hearing loss.
- Use the additional handles supplied with the appliance. Loss of control can lead to injuries.
- Hold the appliance by the insulated handles when you are carrying out work during which the deployed tool may come into contact with concealed power cables or its own power cable. Contact with a "live" wire may make exposed metal parts of the power tool "live" and could give the operator an electric shock.
-  Wear a dust mask.

Installation

Additional handle

- ◆ You can position the additional handle **4** as you wish.
- ◆ Undo the knurled nut **5**.
- ◆ Swing the additional handle **4** around the appliance axis or 180° forward or backward into the desired position (see foldout page).
- ◆ Retighten the knurled nut **5**.

Fitting a tool



The supplied grease is solely for greasing the tool holder **7**.



- ◆ Pull the locking sleeve **8** backwards.
- ◆ Before fitting a tool into the tool holder **7**, grease it lightly.
- ◆ Insert the tool with a rotating movement in the tool holder **7** until it clicks into itself.
- ◆ Release the locking sleeve **8**. This locks the holder. Check that the tool is properly locked by pulling it. The system has radial play because of the design.

Removing a tool

- ◆ Pull the locking sleeve **8** backwards and pull the tool out of the tool holder **7**.



Adjust chisel position

- ◆ You can adjust the flat chisel **10** in optimal working position.
- ◆ Place the flat chisel **10** into the tool holder **7**.
- ◆ Push the chisel adjustment ring **6** forward and turn with the chisel adjustment ring **6** the flat chisel **10** to the required position.
- ◆ Release the chisel adjustment ring **6** and turn it until it clicks.

Operation

Switching on and off

During operation, you can choose between instantaneous and continuous operation.

Switching to instantaneous operation

- ◆ Press the ON/OFF switch **3**.

Switching off instantaneous operation

- ◆ Release the ON/OFF switch **3**.

Switching to continuous operation

- ◆ Press the ON/OFF switch **3** and lock it in this position with the locking switch **2**.

Switching off continuous operation

- ◆ Press the ON/OFF switch **3** and release it again.

Maintenance and cleaning



WARNING! RISK OF INJURY! Switch the appliance off and remove the power plug before starting any work on the appliance.

- The appliance must always be kept clean, dry and free from oil or grease.
- Use a soft, dry cloth to clean the housing.
- Clean the tool holder ⑦ regularly.

WARNING!

- If the replacement of the supply cord is necessary, this has to be done by the manufacturer or his agent in order to avoid a safety hazard.

Disposal



The packaging is made from environmentally friendly material and can be disposed of at your local recycling plant.



Do not dispose of power tools in your normal domestic waste!

European Directive 2012/19/EU requires that worn-out power tools be collected separately and recycled in an environmentally compatible manner.

Your local community or municipal authorities can provide information on how to dispose of the appliance.



Dispose of the packaging in an environmentally friendly manner.

Note the labelling on the packaging and separate the packaging material components for disposal if necessary. The packaging material is labelled with abbreviations (a) and numbers (b) with the following meanings:

1–7: plastics, 20–22: paper and cardboard, 80–98: composites.



Your local community or municipal authorities can provide information on how to dispose of the worn-out product.

Kompernass Handels GmbH warranty

Dear Customer,

This appliance has a 3-year warranty valid from the date of purchase. If this product has any faults, you, the buyer, have certain statutory rights. Your statutory rights are not restricted in any way by the warranty described below.

Warranty conditions

The warranty period starts on the date of purchase. Please keep your receipt in a safe place. This will be required as proof of purchase.

If any material or manufacturing fault occurs within three years of the date of purchase of the product, we will either repair or replace the product for you or refund the purchase price (at our discretion). This warranty service requires that you present the defective appliance and the proof of purchase (receipt) within the three-year warranty period, along with a brief written description of the fault and of when it occurred.

If the defect is covered by the warranty, your product will either be repaired or replaced by us. The repair or replacement of a product does not signify the beginning of a new warranty period.

Warranty period and statutory claims for defects

The warranty period is not prolonged by repairs effected under the warranty. This also applies to replaced and repaired components. Any damage and defects present at the time of purchase must be reported immediately after unpacking. Repairs carried out after expiry of the warranty period shall be subject to a fee.

Scope of the warranty

This appliance has been manufactured in accordance with strict quality guidelines and inspected meticulously prior to delivery.

The warranty covers material faults or production faults. The warranty does not extend to product parts subject to normal wear and tear or to fragile parts which could be considered as consumable parts such as switches or parts made of glass.

The warranty does not apply if the product has been damaged, improperly used or improperly maintained. The directions in the operating instructions for the product regarding proper use of the product are to be strictly followed. Uses and actions that are discouraged in the operating instructions or which are warned against must be avoided.

This product is intended solely for private use and not for commercial purposes. The warranty shall be deemed void in cases of misuse or improper handling, use of force and modifications / repairs which have not been carried out by one of our authorised Service centres.

The warranty period does not apply to

- Normal reduction of the battery capacity over time
- Commercial use of the product
- Damage to or alteration of the product by the customer
- Non-compliance with safety and maintenance instructions, operating errors
- Damage caused by natural hazards

Warranty claim procedure

To ensure quick processing of your case, please observe the following instructions:

- Please have the till receipt and the item number (e.g. IAN 12345) available as proof of purchase.
- You will find the item number on the type plate on the product, an engraving on the product, on the front page of the operating instructions (below left) or on the sticker on the rear or bottom of the product.
- If functional or other defects occur, please contact the service department listed either by **telephone** or by **e-mail**.
- You can return a defective product to us free of charge to the service address that will be provided to you. Ensure that you enclose the proof of purchase (till receipt) and information about what the defect is and when it occurred.



You can download these instructions along with many other manuals, product videos and installation software at www.lidl-service.com.

This QR code will take you directly to the Lidl service page (www.lidl-service.com) where you can open your operating instructions by entering the item number (IAN) 353936_2010.

Service

GB Service Great Britain
Tel.: 0800 404 7657
E-Mail: kompernass@lidl.co.uk

IE Service Ireland
Tel.: 1890 930 034
(0,08 EUR/Min., (peak))
(0,06 EUR/Min., (off peak))
E-Mail: kompernass@lidl.ie

CY Service Cyprus
Tel.: 8009 4409
E-Mail: kompernass@lidl.com.cy

IAN 353936_2010

Importer

Please note that the following address is not the service address. Please use the service address provided in the operating instructions.

KOMPERNASS HANDELS GMBH
BURGSTRASSE 21
44867 BOCHUM
GERMANY
www.kompernass.com

Translation of the original Conformity Declaration

We, KOMPERNASS HANDELS GMBH, documents officer: Mr. Semi Uguzlu, BURGSTR. 21, 44867 BOCHUM, Deutschland, hereby declare that this product complies with the following standards, normative documents and the EC directives:

Machinery Directive

(2006/42/EC)

EMC (Electromagnetic Compatibility)

(2014/30/EU)

RoHS Directive

(2011/65/EU)*

*The manufacturer bears the full responsibility for compliance with this conformity declaration. The object of the declaration described above complies with the requirements of the Directive 2011/65/EU of the European Parliament and Council of 8 June 2011 on the limitations of use of certain dangerous substances in electrical and electronic appliances.

Noise Directive

(2000/14/EC)

(2005/88/EC)

Applied harmonised standards

EN 60745-1:2009/A11:2010

EN 60745-2-6:2010

EN 55014-1:2017

EN 55014-2:2015

EN 61000-3-2:2014

EN 61000-3-3:2013

EN 50581:2012

Type designation of machine: Demolition hammer PAH 1300 B2

Year of manufacture: 12-2020

Serial number: IAN 353936_2010

Bochum, 08/12/2020



Semi Uguzlu

- Quality Manager -

The right to effect technical changes in the context of further development is reserved.

Περιεχόμενα

Εισαγωγή	12
Προβλεπόμενη χρήση	12
Απεικονιζόμενα στοιχεία	12
Παραδοτέος εξοπλισμός.....	12
Τεχνικά χαρακτηριστικά	12
Γενικές υποδείξεις ασφαλείας για ηλεκτρικά εργαλεία	13
1. Ασφάλεια στο χώρο εργασίας.....	13
2. Ηλεκτρική ασφάλεια.....	14
3. Ασφάλεια ατόμων	14
4. Χρήση και χειρισμός του ηλεκτρικού εργαλείου	15
5. Σέρβις	15
Συγκεκριμένες υποδείξεις ασφαλείας για σφυριά	15
Συναρμολόγηση	16
Πρόσθετη χειρολαβή	16
Τοποθέτηση εργαλείου.....	16
Αφαίρεση εργαλείου	16
Αλλαγή θέσης σμιλεύματος.....	16
Θέση σε λειτουργία	16
Ενεργοποίηση και απενεργοποίηση.....	16
Συντήρηση και καθαρισμός	17
Απόρριψη	17
Εγγύηση της Kompernass Handels GmbH	18
Σέρβις	19
Εισαγωγέας	19
Μετάφραση της Πρωτότυπης Δήλωση συμμόρφωσης	20

ΣΚΑΠΤΙΚΟ ΔΡΑΠΑΝΟ ΜΕ ΚΑΛΕΜΙ ΡΑΗ 1300 B2

Εισαγωγή

Σας συγχαίρουμε για την αγορά της νέας σας συσκευής. Αποφασίσατε έτσι για την απόκτηση ενός προϊόντος υψηλής ποιότητας. Οι οδηγίες χρήσης είναι τμήμα αυτού του προϊόντος. Περιέχουν σημαντικές υποδείξεις για την ασφάλεια, τη χρήση και την απόρριψη. Πριν από τη χρήση του προϊόντος, εξοικειωθείτε με όλες τις υποδείξεις χειρισμού και ασφάλειας. Χρησιμοποιείτε το προϊόν μόνο όπως περιγράφεται και για τους αναφερόμενους τομείς χρήσης. Παραδώστε όλα τα έγγραφα σε περίπτωση παράδοσης του προϊόντος σε τρίτους.

Προβλεπόμενη χρήση

Το σκαπτικό δράπανο με καλέμι ΡΑΗ 1300 B2 είναι κατάλληλο για σμίλευμα σε μετόν, πέτρα και επιστρώσεις.

Κάθε άλλη χρήση ή μετατροπή της συσκευής ισχύει ως μη σύμφωνη με τους κανονισμούς και ενέχει σημαντικούς κινδύνους ατυχημάτων.

Για βλάβες από χρήση μη σύμφωνη με τους κανονισμούς, ο κατασκευαστής δεν αναλαμβάνει καμία ευθύνη.

Η συσκευή δεν προορίζεται για επαγγελματική χρήση.

Απεικονιζόμενα στοιχεία

- 1 Χειρολαβή (λαστιχένια επιφάνεια λαβής)
- 2 Διακόπτης ρύθμισης
- 3 Διακόπτης ON/OFF
- 4 Πρόσθετη χειρολαβή
- 5 Ραβδωτό περικόχλιο για πρόσθετη χειρολαβή
- 6 Δακτύλιος ρύθμισης σμιλεύματος
- 7 Υποδοχή εργαλείων
- 8 Υποδοχή ασφάλισης
- 9 Λαξευτήρι σημειακής αιχμής
- 10 Επίπεδο καλέμι
- 11 Γράσο

Παραδοτέος εξοπλισμός

- 1 Σκαπτικό δράπανο με καλέμι ΡΑΗ 1300 B2
- 1 Πρόσθετη χειρολαβή (προεγκατεστημένη)
- 1 Επίπεδο καλέμι
- 1 Λαξευτήρι σημειακής αιχμής
- 1 Βαλιτσάκι μεταφοράς
- 50 g γράσο
- 1 Οδηγίες χρήσης

Τεχνικά χαρακτηριστικά

Ονομαστική ισχύς	1300 W
Ονομαστική τάση	230 V ~, 50 Hz (εναλλασσόμενο ρεύμα)
Αριθμός χτυπημάτων	3800 min ⁻¹
Ενέργεια κρούσης	15 Joule
Υποδοχή	SDS MAX
Κατηγορία προστασίας	II / □ (δίπλη μόνωση)

Τιμή εκπομπών θορύβου

Τιμή μέτρησης για θόρυβο διακριβωμένη σύμφωνα με το EN 60745. Το επίπεδο θορύβου Α-στάθμησης του ηλεκτρικού εργαλείου ανέρχεται συνήθως:

Σμίλευμα

Στάθμη ηχητικής πίεσης	$L_{pA} = 88,8 \text{ dB (A)}$
Αβεβαιότητα	$K = 2,36 \text{ dB}$
Στάθμη ηχητικής ισχύος	$L_{WA} = 102,8 \text{ dB (A)}$
Αβεβαιότητα	$K = 2,36 \text{ dB}$

Φοράτε προστασία για την ακοή!



Εγγυημένη στάθμη ηχητικής ισχύος LWA σε dB.

Συνολική τιμή κραδασμών

Ολικές τιμές κραδασμών (διανυσματικό άθροισμα τριών κατευθύνσεων) υπολογισμένες κατά EN 60745:

Βασική λαβή

Σμίλευμα $a_{h(CH_{eq})} = 16,7 \text{ m/s}^2$, $K = 1,5 \text{ m/s}^2$

Πρόσθετη χειρολαβή

Σμίλευμα $a_{h(CH_{eq})} = 14,8 \text{ m/s}^2$, $K = 1,5 \text{ m/s}^2$

ΥΠΟΔΕΙΞΗ

- Το αναφερόμενο σε αυτές τις οδηγίες επίπεδο κραδασμών έχει μετρηθεί σύμφωνα με μια τυποποιημένη διαδικασία μέτρησης και μπορεί να χρησιμοποιείται για τη σύγκριση συσκευών. Η αναφερόμενη τιμή εκπομπής κραδασμών μπορεί επίσης να χρησιμοποιείται για μια αρχική εκτίμηση της έκθεσης.

⚠ ΠΡΟΕΙΔΟΠΟΙΗΣΗ!

- Το επίπεδο κραδασμών θα αλλάζει σύμφωνα με τη χρήση του ηλεκτρικού εργαλείου και σε ορισμένες περιπτώσεις μπορεί να βρίσκεται πάνω από την αναφερόμενη σε αυτές τις οδηγίες τιμή. Το φορτίο κραδασμών θα μπορούσε να υποτιμηθεί, εάν το ηλεκτρικό εργαλείο χρησιμοποιείται τακτικά με αυτό τον τρόπο. Προσπαθείτε να κρατάτε την επιβάρυνση λόγω δονήσεων όσο το δυνατόν μικρότερη. Παραδειγματικά μέτρα μείωσης της επιβάρυνσης λόγω δονήσεων είναι η χρήση γαντιών κατά τη χρήση του εργαλείου και ο περιορισμός του χρόνου εργασίας. Εδώ πρέπει να συνυπολογίζονται όλα τα μέρη του κύκλου εργασίας (παραδείγματος χάριν χρόνοι, κατά τους οποίους το ηλεκτρικό εργαλείο είναι απενεργοποιημένο, και χρόνοι, κατά τους οποίους είναι μεν ενεργοποιημένο, αλλά λειτουργεί χωρίς φορτίο).



Γενικές υποδείξεις ασφαλείας για ηλεκτρικά εργαλεία

⚠ ΠΡΟΕΙΔΟΠΟΙΗΣΗ!

- Διαβάστε όλες τις υποδείξεις ασφαλείας και τις οδηγίες. Παραλείψεις κατά την τήρηση των υποδείξεων ασφαλείας και των οδηγιών μπορούν να προκαλέσουν ηλεκτροπληξία, πυρκαγιά και/ή σοβαρούς τραυματισμούς.

Φυλάξτε όλες τις υποδείξεις ασφαλείας και τις οδηγίες για το μέλλον.

Ο χρησιμοποιούμενος σε αυτές τις υποδείξεις ασφαλείας όρος "Ηλεκτρικό εργαλείο" αναφέρεται σε ηλεκτρικά εργαλεία (με καλώδιο) που λειτουργούν με ρεύμα και σε ηλεκτρικά εργαλεία (χωρίς καλώδιο) που λειτουργούν μέσω συσσωρευτή.

1. Ασφάλεια στο χώρο εργασίας

- Διατηρείτε το χώρο εργασίας σας καθαρό και καλά φωτισμένο. Η ακαταστασία και οι μη φωτισμένοι χώροι εργασίας μπορούν να οδηγήσουν σε ατυχήματα.
- Μην εργάζεστε με το ηλεκτρικό εργαλείο σε περιβάλλον, όπου υπάρχει κίνδυνος έκρηξης, εύφλεκτα υγρά, αέρια ή σκόνες. Τα ηλεκτρικά εργαλεία δημιουργούν σπινθήρες, οι οποίοι μπορούν να προκαλέσουν ανάφλεξη στη σκόνη ή στους ατμούς.
- Κρατάτε τα παιδιά και άλλα άτομα μακριά κατά τη χρήση του ηλεκτρικού εργαλείου. Σε περίπτωση διάσπασης της προσοχής μπορεί να χάσετε τον έλεγχο της συσκευής.

2. Ηλεκτρική ασφάλεια

- α) Το βύσμα σύνδεσης του ηλεκτρικού εργαλείου πρέπει να ταιριάζει στην πρίζα. Το βύσμα δεν επιτρέπεται να τροποποιηθεί με κανέναν τρόπο. Μη χρησιμοποιείτε βύσματα ανταπόδρων μαζί με γειωμένα ηλεκτρικά εργαλεία. Τα βύσματα που δεν έχουν τροποποιηθεί και οι κατάλληλες πρίζες μειώνουν τον κίνδυνο ηλεκτροπληξίας.
- β) Αποφεύγετε τη σωματική επαφή με γειωμένες επιφάνειες, όπως σωλήνες, θερμαντικά σώματα, εστίες και ψυγεία. Υπάρχει αυξημένος κίνδυνος λόγω ηλεκτροπληξίας όταν το σώμα σας είναι γειωμένο.
- γ) Κρατάτε τα ηλεκτρικά εργαλεία μακριά από βροχή ή υγρασία. Η διείσδυση νερού σε μια ηλεκτρική συσκευή αυξάνει τον κίνδυνο ηλεκτροπληξίας.
- δ) Μη χρησιμοποιείτε το καλώδιο άσκοπα, π.χ. για να μεταφέρετε το ηλεκτρικό εργαλείο, να το κρεμάσετε ή για να τραβήξετε το βύσμα από την πρίζα. Κρατάτε το καλώδιο μακριά από υψηλές θερμοκρασίες, λάδια, αιχμηρές άκρες ή κινούμενα τμήματα της συσκευής. Τα φθαρμένα ή μπερδεμένα καλώδια αυξάνουν τον κίνδυνο ηλεκτροπληξίας.
- ε) Όταν εργάζεστε με ένα ηλεκτρικό εργαλείο σε εξωτερικό χώρο, χρησιμοποιείτε μόνο καλώδια επέκτασης, τα οποία έχουν εγκριθεί για εξωτερικούς χώρους. Η χρήση κατάλληλου καλωδίου επέκτασης για εξωτερικό χώρο μειώνει τον κίνδυνο ηλεκτροπληξίας.
- στ) Εάν δεν μπορεί να αποφευχθεί η λειτουργία του ηλεκτρικού εργαλείου σε υγρό περιβάλλον, χρησιμοποιείτε διακόπτη ασφαλείας. Η χρήση διακόπτη ασφαλείας μειώνει τον κίνδυνο ηλεκτροπληξίας.

3. Ασφάλεια ατόμων

- α) Να είστε πάντα προσεκτικοί, προσέχετε τι κάνετε και χρησιμοποιείτε τη λογική όταν εργάζεστε με ένα ηλεκτρικό εργαλείο. Μη χρησιμοποιείτε ηλεκτρικά εργαλεία εάν είστε κουρασμένοι ή υπό την επήρεια ναρκωτικών, αλκοόλ ή φαρμάκων. Ένα μόνο λεπτό απροσεξίας κατά τη χρήση του ηλεκτρικού εργαλείου αρκεί για να οδηγήσει σε σοβαρούς τραυματισμούς.
- β) Φοράτε ατομικό προστατευτικό εξοπλισμό και πάντα γυαλιά προστασίας. Όταν φοράτε ατομικό προστατευτικό εξοπλισμό, όπως μάσκα για τη σκόνη, αντιολισθητικά υποδήματα ασφαλείας, κράνος ή προστασία για την ακοή, ανάλογα με το είδος και τη χρήση του ηλεκτρικού εργαλείου, μειώνεται ο κίνδυνος τραυματισμών.
- γ) Αποφεύγετε μια μη ηθελημένη θέση σε λειτουργία. Βεβαιώνετε ότι το ηλεκτρικό εργαλείο έχει απενεργοποιηθεί, προτού το συνδέσετε στην τροφοδοσία ρεύματος και/ή το συσσωρευτή, το σηκώσετε ή το μεταφέρετε. Όταν μεταφέρετε το ηλεκτρικό εργαλείο και έχετε το δάχτυλο στο διακόπτη ή εάν έχετε συνδέσει την ήδη ενεργοποιημένη συσκευή στην παροχή ρεύματος, αυτό μπορεί να οδηγήσει σε ατυχήματα.
- δ) Απομακρύνετε εργαλεία ρύθμισης ή μηχανικά κλειδιά πριν ενεργοποιήσετε το ηλεκτρικό εργαλείο. Ένα εργαλείο ή κλειδί, το οποίο βρίσκεται σε ένα περιστρεφόμενο τμήμα της συσκευής, μπορεί να οδηγήσει σε τραυματισμούς.
- ε) Αποφεύγετε μια λάθος στάση του σώματος. Φροντίστε για μια ασφαλή στάση και διατηρείτε πάντα την ισορροπία. Έτσι μπορείτε να ελέγχετε το ηλεκτρικό εργαλείο καλύτερα σε μη αναμενόμενες καταστάσεις.
- στ) Φοράτε κατάλληλο ρουχισμό. Μη φοράτε μακριά ρούχα ή κοσμήματα. Κρατάτε τα μαλλιά, τα ρούχα και τα γάντια μακριά από κινούμενα τμήματα. Τα χαλαρά ρούχα, τα κοσμήματα ή τα μακριά μαλλιά μπορούν να πιαστούν από κινούμενα τμήματα.

ζ) Εάν μπορούν να συναρμολογηθούν διατάξεις απορρόφησης και συλλογής σκόνης, βεβαιώστε ότι αυτές έχουν συνδεθεί και χρησιμοποιούνται σωστά. Η χρήση μιας διάταξης απορρόφησης σκόνης μπορεί να μειώσει τους κινδύνους από τη σκόνη.

4. Χρήση και χειρισμός του ηλεκτρικού εργαλείου


- α) Μην υπερφορτώνετε τη συσκευή. Χρησιμοποιείτε για την εργασία σας το αντίστοιχο ηλεκτρικό εργαλείο. Με το κατάλληλο ηλεκτρικό εργαλείο εργάζεστε καλύτερα και ασφαλέστερα στο δοθέν πεδίο απόδοσης.
- β) Μη χρησιμοποιείτε ηλεκτρικά εργαλεία, των οποίων ο διακόπτης είναι ελαττωματικός. Ένα ηλεκτρικό εργαλείο, το οποίο δεν μπορεί πλέον να ενεργοποιηθεί ή απενεργοποιηθεί, είναι επικίνδυνο και πρέπει να επισκευαστεί.
- γ) Τραβάτε το βύσμα από την πρίζα και/ή απομακρύνετε το συσσωρευτή πριν διεξάγετε ρυθμίσεις στη συσκευή, πριν αλλάξετε εξαρτήματα ή πριν φυλάξετε τη συσκευή. Αυτό το μέτρο ασφαλείας εμποδίζει τη μη ηθελημένη εκκίνηση του ηλεκτρικού εργαλείου.
- δ) Φυλάτε τα μη χρησιμοποιούμενα ηλεκτρικά εργαλεία εκτός εμβέλειας των παιδιών. Μην επιτρέπεται να χρησιμοποιούν τη συσκευή άτομα, τα οποία δεν έχουν εξοικειωθεί μαζί της ή δεν έχουν διαβάσει αυτές τις οδηγίες. Τα ηλεκτρικά εργαλεία είναι επικίνδυνα όταν χρησιμοποιούνται από άπειρα άτομα.
- ε) Φροντίζετε τα ηλεκτρικά εργαλεία με προσοχή. Ελέγχετε εάν τα κινούμενα τμήματα λειτουργούν σωστά και δεν κολλάνε, εάν κάποια μέρη έχουν σπάσει ή παρουσιάζουν τέτοια βλάβη, ώστε να επηρεάζεται η λειτουργία του ηλεκτρικού εργαλείου. Τα εξαρτήματα με βλάβη πρέπει να επισκευάζονται πριν από τη χρήση της συσκευής. Η αιτία πολλών ατυχημάτων οφείλεται στην κακή συντήρηση των ηλεκτρικών εργαλείων.
- στ) Διατηρείτε τα εργαλεία κοπής αιχμηρά και καθαρά. Τα προσεκτικά φροντισμένα εργαλεία κοπής με αιχμηρές ακμές κοπής κολλάνε λιγότερο και είναι ευκολότερα στο χειρισμό.

ζ) Χρησιμοποιείτε το ηλεκτρικό εργαλείο, τα εξαρτήματα, τα εργαλεία χρήσης, κλπ., σύμφωνα με αυτές τις οδηγίες. Λαμβάνετε υπόψη τις συνθήκες εργασίας και την προς διεξαγωγή ενέργεια. Η χρήση ηλεκτρικών εργαλείων για διαφορετικές από τις προβλεπόμενες χρήσεις μπορεί να οδηγήσει σε επικίνδυνες καταστάσεις.

5. Σέρβις

α) Το ηλεκτρικό σας εργαλείο πρέπει να επισκευάζεται μόνο από εξειδικευμένο ειδικό προσωπικό και μόνο με γνήσια ανταλλακτικά. Έτσι διατηρείται η ασφάλεια του ηλεκτρικού εργαλείου.

Συγκεκριμένες υποδείξεις ασφαλείας για σφυριά

-  **Φοράτε προστασία για την ακοή.** Η επίδραση του θορύβου μπορεί να επιφέρει απώλεια της ακοής.
- Χρησιμοποιείτε πρόσθετες λαβές που παραδίδονται μαζί με τη συσκευή. Η απώλεια του ελέγχου μπορεί να προκαλέσει τραυματισμούς.
- Πιάνετε τη συσκευή από τις μονωμένες επιφάνειες των λαβών, όταν διεξάγετε εργασίες, κατά τις οποίες το εργαλείο χρήσης μπορεί να συναντήσει κρυμμένους αγωγούς ρεύματος ή το ίδιο το καλώδιο δικτύου. Η επαφή με έναν ρευματοφόρο αγωγό θέτει υπό τάση ακόμη και μεταλλικά τμήματα της συσκευής, προκαλώντας ηλεκτροπληξία.
-  **Φοράτε μάσκα προστασίας από τη σκόνη.**

Συναρμολόγηση

Πρόσθετη χειρολαβή

- ◆ Μπορείτε να περιστρέψετε την πρόσθετη χειρολαβή **4** όπως επιθυμείτε.
- ◆ Λασκάρτε το ραβδωτό περικόχλιο **5**.
- ◆ Περιστρέψτε την πρόσθετη χειρολαβή **4** γύρω από τον άξονα της συσκευής και/ή κατά 180° προς τα εμπρός ή πίσω στην επιθυμητή θέση (βλ. αναδιπλούμενη σελίδα).
- ◆ Σφίξτε ξανά το ραβδωτό περικόχλιο **5**.

Τοποθέτηση εργαλείου



Το παραδιδόμενο γράσο προορίζεται αποκλειστικά για τη λίπανση της υποδοχής εργαλείων **7**.

- ◆ Σπρώξτε την υποδοχή ασφάλισης **8** προς τα πίσω.
- ◆ Πριν την τοποθέτηση του εργαλείου, λαδώστε ελαφρώς την υποδοχή εργαλείων **7**.
- ◆ Τοποθετήστε το εργαλείο περιστρέφοντάς το στην υποδοχή εργαλείων **7**, μέχρι να ασφαλίσει.
- ◆ Αφήστε ελεύθερη την υποδοχή ασφάλισης **8**. Έτσι, η υποδοχή ασφαλιζει. Τραβώντας το εργαλείο, ελέγξτε εάν η ασφάλιση είναι εντάξει. Το εργαλείο, λόγω του συστήματος, έχει ένα ακτινικό διάκενο.

Αφαίρεση εργαλείου

- ◆ Σπρώξτε την υποδοχή ασφάλισης **8** του εργαλείου προς τα πίσω και τραβήξτε έξω το εργαλείο από την υποδοχή εργαλείων **7**.



Αλλαγή θέσης σμιλεύματος

- ◆ Μπορείτε να ρυθμίσετε το επίπεδο καλέμι **10** σε μία ιδανική για εσάς θέση εργασίας.
- ◆ Τοποθετήστε το επίπεδο καλέμι **10** στην υποδοχή εργαλείων **7**.
- ◆ Σπρώξτε το δακτύλιο ρύθμισης σμιλεύματος **6** προς τα εμπρός και με το δακτύλιο **6** περιστρέψτε το επίπεδο καλέμι **10** στην απαιτούμενη θέση.
- ◆ Αφήστε ελεύθερο το δακτύλιο ρύθμισης σμιλεύματος **6** και περιστρέψτε τον μέχρι να ασφαλίσει.

Θέση σε λειτουργία

Ενεργοποίηση και απενεργοποίηση

Κατά τη λειτουργία μπορείτε να επιλέξετε μεταξύ στιγμιαίας λειτουργίας και συνεχούς λειτουργίας.

Ενεργοποίηση στιγμιαίας λειτουργίας

- ◆ Πιέστε το διακόπτη ON/OFF **3**.

Απενεργοποίηση στιγμιαίας λειτουργίας

- ◆ Αφήστε ελεύθερο το διακόπτη ON/OFF **3**.

Ενεργοποίηση συνεχούς λειτουργίας

- ◆ Πιέστε το διακόπτη ON / OFF **3** και ρυθμίστε τον σε πατημένη θέση με το διακόπτη ρύθμισης **2**.

Απενεργοποίηση συνεχούς λειτουργίας

- ◆ Πιέστε το διακόπτη ON/OFF **3** και αφήστε τον ξανά ελεύθερο.

Συντήρηση και καθαρισμός



ΠΡΟΕΙΔΟΠΟΙΗΣΗ! ΚΙΝΔΥΝΟΣ ΤΡΑΥΜΑΤΙΣΜΟΥ! Πριν από όλες τις εργασίες, απενεργοποιείτε τη συσκευή και τραβάτε το βύσμα από την πρίζα.

- Η συσκευή πρέπει να είναι πάντα καθαρή, στεγνή και ελεύθερη από λάδια ή λίπος.
- Για τον καθαρισμό του περιβλήματος χρησιμοποιείτε ένα στεγνό πανί.
- Καθαρίζετε τακτικά την υποδοχή εργαλείων **7**.



ΠΡΟΕΙΔΟΠΟΙΗΣΗ!

- Εάν το καλώδιο σύνδεσης του ηλεκτρικού εργαλείου παρουσιάζει βλάβη, πρέπει να αντικατασταθεί από ειδικά διαμορφωμένο καλώδιο σύνδεσης που διατίθεται από το τμήμα εξυπηρέτησης πελατών.

Απόρριψη



Η συσκευασία αποτελείται από φιλικά προς το περιβάλλον υλικά, τα οποία μπορείτε να απορρίψετε μέσω των τοπικών σημείων ανακύκλωσης.



Μην πετάτε τα ηλεκτρικά εργαλεία στα οικιακά απορρίμματα!

Σύμφωνα με την ευρωπαϊκή οδηγία 2012/19/EU, τα χρησιμοποιημένα ηλεκτρικά εργαλεία πρέπει να συλλέγονται χωριστά και να επαναχρησιμοποιούνται με φιλικό προς το περιβάλλον τρόπο.

Ενημερωθείτε για τις δυνατότητες απόρριψης της χρησιμοποιημένης συσκευής από την αρμόδια υπηρεσία της κοινότητας ή της πόλης σας.



Απορρίψτε τη συσκευασία με τρόπο φιλικό προς το περιβάλλον. Λαμβάνετε υπόψη τη σήμανση στα διάφορα υλικά συσκευασίας και, εφόσον απαιτείται, ξεχωρίζετε τα. Τα υλικά συσκευασίας φέρουν σήμανση με συντομογραφίες (a) και ψηφία (b) με την εξής σημασία: 1-7: Πλαστικά, 20-22: Χαρτί και χαρτόνι, 80-98: Συνθετικά υλικά.



Για τις δυνατότητες απόρριψης του προϊόντος μετά το τέλος του κύκλου ζωής του, απευθυνθείτε στην αρμόδια υπηρεσία της κοινότητας ή της πόλης σας.

Εγγύηση της **Kompernass Handels GmbH**

Αξιότιμη πελάτισσα, αξιότιμε πελάτη,

Η παρούσα συσκευή διαθέτει 3 χρόνια εγγύηση από την ημερομηνία αγοράς. Στην περίπτωση ελλείψεων στο προϊόν έχετε νομικά δικαιώματα έναντι του πωλητή του προϊόντος. Αυτά τα νομικά δικαιώματα δεν περιορίζονται μέσω της κατωτέρω αναφερόμενης εγγύησης.

Προϋποθέσεις εγγύησης

Η περίοδος εγγύησης ξεκινά την ημερομηνία αγοράς. Φυλάσσετε την απόδειξη αγοράς. Απαιτείται ως αποδεικτικό αγοράς.

Εάν, εντός τριών ετών από την ημερομηνία αγοράς, παρατηρηθεί κάποιο σφάλμα υλικού ή κατασκευής στο προϊόν, θα επισκευάσουμε ή θα αντικαταστήσουμε (κατόπιν κρίσης μας) το προϊόν δωρεάν ή θα σας επιστραφεί το ποσό αγοράς. Η παρούσα εγγύηση προϋποθέτει ότι η ελαττωματική συσκευή και η απόδειξη αγοράς θα υποβληθούν μαζί με μια σύντομη περιγραφή αναφορικά με το πού βρίσκεται η έλλειψη και πότε παρατηρήθηκε, εντός της περιόδου των τριών ετών.

Εάν το ελάττωμα καλύπτεται από την εγγύησή μας, θα λάβετε το επισκευασμένο ή ένα νέο προϊόν.

Περίοδος εγγύησης και νομικές απαιτήσεις λόγω ελλείψεων

Ο χρόνος εγγύησης δεν παρατείνεται μέσω της παροχής εγγύησης. Αυτό ισχύει και για εξαρτήματα, τα οποία έχουν αντικατασταθεί και επισκευαστεί. Ενδεχόμενες ήδη υπάρχουσες ζημιές και ελλείψεις κατά την αγορά πρέπει να γνωστοποιούνται αμέσως μετά την αποσυσκευασία. Μετά τη λήξη του χρόνου εγγύησης, τυχόν εμφανιζόμενες επισκευές χρεώνονται.

Εύρος εγγύησης

Η συσκευή κατασκευάστηκε σύμφωνα με αυστηρές οδηγίες ποιότητας και ελέγχθηκε προσεκτικά πριν από την αποστολή.

Η εγγύηση ισχύει για σφάλματα υλικού ή κατασκευής. Η παρούσα εγγύηση δεν καλύπτει εξαρτήματα του προϊόντος που υπόκεινται σε φυσιολογική φθορά και, ως εκ τούτου, θεωρούνται αναλώσιμα εξαρτήματα ή ζημιές σε εύθραυστα εξαρτήματα, π.χ. διακόπτες ή γυάλινα εξαρτήματα.

Η παρούσα εγγύηση ακυρώνεται εάν προκληθεί ζημιά στο προϊόν, εάν δεν γίνεται σωστή χρήση ή συντήρηση. Για μια σωστή χρήση του προϊόντος πρέπει να τηρούνται επακριβώς οι αναφερόμενες υποδείξεις στις οδηγίες χειρισμού. Σκοποί χρήσης και χειρισμοί που δεν συνιστώνται ή για τους οποίους υπάρχει προειδοποίηση πρέπει απαραίτητα να αποφεύγονται.

Το προϊόν προορίζεται μόνο για ιδιωτική και όχι για επαγγελματική χρήση. Σε περίπτωση κακής μεταχείρισης και ακατάλληλης χρήσης, χρήσης βίας και παρεμβάσεων, οι οποίες δεν διεξήχθησαν από το εξουσιοδοτημένο μας τμήμα σέρβις, η εγγύηση παύει να ισχύει.

Η εγγύηση δεν ισχύει στις παρακάτω περιπτώσεις

- σε φυσιολογική εξασθένηση της χωρητικότητας συσσωρευτή
- σε περίπτωση επαγγελματικής χρήσης του προϊόντος
- σε περίπτωση ζημιάς ή τροποποίησης του προϊόντος από τον πελάτη
- σε περίπτωση μη τήρησης των προδιαγραφών ασφάλειας και συντήρησης, καθώς και σφαλμάτων χειρισμού
- σε περίπτωση ζημιών λόγω φυσικών φαινομένων

Διαδικασία σε περίπτωση εγγύησης

Για την εξασφάλιση γρήγορης επεξεργασίας του ζητήματός σας, τηρείτε τις ακόλουθες υποδείξεις:

- Για όλες τις ερωτήσεις έχετε έτοιμη την απόδειξη αγοράς και τον κωδικό προϊόντος (π.χ. IAN 12345) ως απόδειξη για την αγορά.
- Για τον κωδικό προϊόντος, ανατρέξτε στην πινακίδα τύπου στο προϊόν, σε μια ετικέτα στο προϊόν, στο εξώφυλλο των οδηγιών χρήσης (κάτω αριστερά) ή σε ένα αυτοκόλλητο στην πίσω ή κάτω πλευρά του προϊόντος.
- Εάν προκύψουν σφάλματα λειτουργίας ή άλλες ελλείψεις, επικοινωνήστε κατ' αρχήν με το ακόλουθο αναφερόμενο τμήμα σέρβις **τηλεφωνικά ή με E-Mail**.
- Ένα προϊόν που θεωρείται ελαττωματικό μπορείτε να το αποστείλετε ατελώς στην αναφερόμενη διεύθυνση του σέρβις επισυνάπτοντας την απόδειξη αγοράς (απόδειξη ταμείου) και αναφέροντας που βρίσκεται η έλλειψη και τότε εμφανίστηκε.



Στην ιστοσελίδα www.lidl-service.com μπορείτε να πραγματοποιήσετε λήψη των παρόντων ή άλλων οδηγιών χρήσης, βίντεο προϊόντων και λογισμικού.

Με αυτόν τον κωδικό QR μεταβαίνετε απευθείας στη σελίδα εξυπηρέτησης Lidl (www.lidl-service.com) και εισαγάγοντας τον κωδικό προϊόντος (IAN) 353936_2010 μπορείτε να ανοίξετε τις αντίστοιχες οδηγίες χρήσης.

Σέρβις

GR Σέρβις Ελλάδα
Tel.: 801 5000 019 (0,03 EUR/Min.)
E-Mail: kompnass@lidl.gr

CY Σέρβις Κύπρος
Tel.: 8009 4409
E-Mail: kompnass@lidl.com.cy

IAN 353936_2010

Εισαγωγέας

Η ακόλουθη διεύθυνση δεν είναι διεύθυνση σέρβις. Επικοινωνήστε, κατ' αρχήν, με την αναφερόμενη υπηρεσία σέρβις.

KOMPERNASS HANDELS GMBH
BURGSTRASSE 21
44867 BOCHUM
GERMANIA
www.kompnass.com

Μετάφραση της Πρωτότυπης Δήλωση συμμόρφωσης

Εμείς, Η KOMPERNASS HANDELS GMBH, Υπεύθυνος τεκμηρίωσης: Κύριος Semi Uguzlu, BURGSTR. 21, 44867 BOCHUM, Γερμανία, δηλώνουμε δια της παρούσης ότι το παρόν προϊόν συμφώνει με τα ακόλουθα πρότυπα, τα κανονιστικά έγγραφα και τις οδηγίες της ΕΚ:

Οδηγία περί μηχανών
(2006/42/EC)

Ηλεκτρομαγνητική συμβατότητα
(2014/30/EU)

Οδηγία RoHS (Σχετικά με τον περιορισμό χρήσης συγκεκριμένων επικίνδυνων ουσιών στον ηλεκτρικό και ηλεκτρονικό εξοπλισμό)
(2011/65/EU)*

* Ο κατασκευαστής φέρει αποκλειστική ευθύνη για τη σύνταξη αυτής της δήλωσης συμμόρφωσης. Το ανωτέρω περιγραφόμενο αντικείμενο της δήλωσης πληροί τις προδιαγραφές της οδηγίας 2011/65/EU του Ευρωπαϊκού Κοινοβουλίου και του Συμβουλίου της 8ης Ιουνίου 2011 σχετικά με τον περιορισμό της χρήσης συγκεκριμένων επικίνδυνων υλικών σε ηλεκτρικές και ηλεκτρονικές συσκευές.

Οδηγία για εκπομπές θορύβου
(2000/14/EC)
(2005/88/EC)

Εφαρμοσμένα εναρμονισμένα πρότυπα

EN 60745-1:2009/A11:2010

EN 60745-2-6:2010

EN 55014-1:2017

EN 55014-2:2015

EN 61000-3-2:2014

EN 61000-3-3:2013

EN 50581:2012

Ονομασία τύπου του μηχανήματος: Σκαπτικό δράπανο με καλέμι PAH 1300 B2

Έτος κατασκευής: 12-2020

Αύξων αριθμός: IAN 353936_2010

Bochum, 08.12.2020



Semi Uguzlu

- Διευθυντής ποιότητας -

Με την επιφύλαξη τεχνικών αλλαγών υπό την έννοια της συνεχούς ανάπτυξης.

Inhaltsverzeichnis

Einleitung	22
Bestimmungsgemäßer Gebrauch	22
Abgebildete Komponenten	22
Lieferumfang	22
Technische Daten	22
Allgemeine Sicherheitshinweise für Elektrowerkzeuge	23
1. Arbeitsplatzsicherheit	23
2. Elektrische Sicherheit	24
3. Sicherheit von Personen	24
4. Verwendung und Behandlung des Elektrowerkzeugs	25
5. Service	25
Gerätespezifische Sicherheitshinweise für Hämmer	25
Montage	26
Zusatz-Handgriff	26
Werkzeug einsetzen	26
Werkzeug entnehmen	26
Meißelposition verstellen	26
Inbetriebnahme	26
Ein- und ausschalten	26
Wartung und Reinigung	27
Entsorgung	27
Garantie der Kompernaß Handels GmbH	28
Service	29
Importeur	29
Original-Konformitätserklärung	30

ABBRUCHHAMMER PAH 1300 B2

Einleitung

Wir beglückwünschen Sie zum Kauf Ihres neuen Gerätes. Sie haben sich damit für ein hochwertiges Produkt entschieden. Die Bedienungsanleitung ist Teil dieses Produkts. Sie enthält wichtige Hinweise für Sicherheit, Gebrauch und Entsorgung. Machen Sie sich vor der Benutzung des Produkts mit allen Bedien- und Sicherheitshinweisen vertraut. Benutzen Sie das Produkt nur wie beschrieben und für die angegebenen Einsatzbereiche. Händigen Sie alle Unterlagen bei Weitergabe des Produkts an Dritte mit aus.

Bestimmungsgemäßer Gebrauch

Der Abbruchhammer PAH 1300 B2 ist geeignet zum Meißeln in Beton, Gestein und Verputz.

Jede andere Verwendung oder Veränderung des Gerätes gilt als nicht bestimmungsgemäß und birgt erhebliche Unfallgefahren.

Für aus bestimmungswidriger Verwendung entstandene Schäden übernimmt der Hersteller keine Haftung.

Das Gerät ist nicht für den gewerblichen Einsatz bestimmt.


Abgebildete Komponenten

- ➊ Handgriff (Gummierte Grifffläche)
- ➋ Feststellschalter
- ➌ EIN-/AUS-Schalter
- ➍ Zusatz-Handgriff
- ➎ Rändelmutter für Zusatzhandgriff
- ➏ Meißelverstellring
- ➐ Werkzeugaufnahme
- ➑ Verriegelungshülse
- ➒ Spitzmeißel
- ➓ Flachmeißel
- ➑ Fett

Lieferumfang

- 1 Abbruchhammer PAH 1300 B2
- 1 Zusatz-Handgriff (vormontiert)
- 1 Flachmeißel
- 1 Spitzmeißel
- 1 Tragekoffer
- 50 g Fett
- 1 Bedienungsanleitung

Technische Daten

Nennleistung	1300 W
Nennspannung	230 V ~, 50 Hz (Wechselstrom)
Schlagzahl	3800 min ⁻¹
Schlagenergie	15 Joule
Aufnahme	SDS MAX
Schutzklasse	II /  (Doppelisolierung)

Geräuschemissionswert

Messwert für Geräusch ermittelt entsprechend EN 60745. Der A-bewertete Geräuschpegel des Elektrowerkzeugs beträgt typischerweise:

Meißeln

Schalldruckpegel	$L_{pA} = 88,8 \text{ dB (A)}$
Unsicherheit	$K = 2,36 \text{ dB}$
Schallleistungspegel	$L_{WA} = 102,8 \text{ dB (A)}$
Unsicherheit	$K = 2,36 \text{ dB}$

Gehörschutz tragen!



Garantierter Schallleistungspegel
LWA in dB.

Schwingungsgesamtwert

Schwingungsgesamtwerte (Vektorsumme dreier Richtungen) ermittelt entsprechend EN 60745:

Hauptgriff

Meißeln $a_{h(\text{Cheq})} = 16,7 \text{ m/s}^2, K = 1,5 \text{ m/s}^2$

Zusatzhandgriff

Meißeln $a_{h(\text{Cheq})} = 14,8 \text{ m/s}^2, K = 1,5 \text{ m/s}^2$

HINWEIS

- ▶ Der in diesen Anweisungen angegebene Schwingungspegel ist entsprechend einem genormten Messverfahren gemessen worden und kann für den Gerätevergleich verwendet werden. Der angegebene Schwingungsemissionswert kann auch zu einer einleitenden Einschätzung der Aussetzung verwendet werden.

⚠️ WARNUNG!

- ▶ Der Schwingungspegel wird sich entsprechend dem Einsatz des Elektrowerkzeugs verändern und kann in manchen Fällen über dem in diesen Anweisungen angegebenen Wert liegen. Die Schwingungsbelastung könnte unterschätzt werden, wenn das Elektrowerkzeug regelmäßig in solcher Weise verwendet wird. Versuchen Sie, die Belastung durch Vibrationen so gering wie möglich zu halten. Beispielhafte Maßnahmen zur Verringerung der Vibrationsbelastung sind das Tragen von Handschuhen beim Gebrauch des Werkzeugs und die Begrenzung der Arbeitszeit. Dabei sind alle Anteile des Betriebszyklus zu berücksichtigen (beispielsweise Zeiten, in denen das Elektrowerkzeug abgeschaltet ist, und solche, in denen es zwar eingeschaltet ist, aber ohne Belastung läuft).



Allgemeine Sicherheitshinweise für Elektrowerkzeuge

⚠️ WARNUNG!

- ▶ Lesen Sie alle Sicherheitshinweise und Anweisungen. Versäumnisse bei der Einhaltung der Sicherheitshinweise und Anweisungen können elektrischen Schlag, Brand und/oder schwere Verletzungen verursachen.

Bewahren Sie alle Sicherheitshinweise und Anweisungen für die Zukunft auf.

Der in den Sicherheitshinweisen verwendete Begriff „Elektrowerkzeug“ bezieht sich auf netzbetriebene Elektrowerkzeuge (mit Netzleitung) und auf akkubetriebene Elektrowerkzeuge (ohne Netzleitung).

1. Arbeitsplatzsicherheit

- Halten Sie Ihren Arbeitsbereich sauber und gut beleuchtet. Unordnung und unbeleuchtete Arbeitsbereiche können zu Unfällen führen.
- Arbeiten Sie mit dem Elektrowerkzeug nicht in explosionsgefährdeter Umgebung, in der sich brennbare Flüssigkeiten, Gase oder Stäube befinden. Elektrowerkzeuge erzeugen Funken, die den Staub oder die Dämpfe entzünden können.
- Halten Sie Kinder und andere Personen während der Benutzung des Elektrowerkzeugs fern. Bei Ablenkung können Sie die Kontrolle über das Elektrowerkzeug verlieren.

2. Elektrische Sicherheit

- a) Der Anschlussstecker des Elektrowerkzeugs muss in die Steckdose passen. Der Stecker darf in keiner Weise verändert werden. Verwenden Sie keine Adapterstecker gemeinsam mit schutzgeerdeten Elektrowerkzeugen. Unveränderte Stecker und passende Steckdosen verringern das Risiko eines elektrischen Schlages.
- b) Vermeiden Sie Körperkontakt mit geerdeten Oberflächen wie von Rohren, Heizungen, Herden und Kühlschränken. Es besteht ein erhöhtes Risiko durch elektrischen Schlag, wenn Ihr Körper geerdet ist.
- c) Halten Sie Elektrowerkzeuge von Regen oder Nässe fern. Das Eindringen von Wasser in ein Elektrowerkzeug erhöht das Risiko eines elektrischen Schlages.
- d) Zweckentfremden Sie die Anschlussleitung nicht, um das Elektrowerkzeug zu tragen, aufzuhängen oder um den Stecker aus der Steckdose zu ziehen. Halten Sie die Anschlussleitung fern von Hitze, Öl, scharfen Kanten oder sich bewegenden Teilen. Beschädigte oder verwickelte Anschlussleitungen erhöhen das Risiko eines elektrischen Schlages.
- e) Wenn Sie mit einem Elektrowerkzeug im Freien arbeiten, verwenden Sie nur Verlängerungsleitungen, die auch für den Außenbereich geeignet sind. Die Anwendung einer für den Außenbereich geeigneten Verlängerungsleitung verringert das Risiko eines elektrischen Schlages.
- f) Wenn der Betrieb des Elektrowerkzeugs in feuchter Umgebung nicht vermeidbar ist, verwenden Sie einen Fehlerstromschutzschalter. Der Einsatz eines Fehlerstromschutzschalters vermindert das Risiko eines elektrischen Schlages.

3. Sicherheit von Personen

- a) Seien Sie aufmerksam, achten Sie darauf, was Sie tun, und gehen Sie mit Vernunft an die Arbeit mit einem Elektrowerkzeug. Benutzen Sie kein Elektrowerkzeug, wenn Sie müde sind oder unter dem Einfluss von Drogen, Alkohol oder Medikamenten stehen. Ein Moment der Unachtsamkeit beim Gebrauch des Elektrowerkzeugs kann zu ernsthaften Verletzungen führen.
- b) Tragen Sie persönliche Schutzausrüstung und immer eine Schutzbrille. Das Tragen persönlicher Schutzausrüstung, wie Staubmaske, rutschfeste Sicherheitsschuhe, Schutzhelm oder Gehörschutz, je nach Art und Einsatz des Elektrowerkzeugs, verringert das Risiko von Verletzungen.
- c) Vermeiden Sie eine unbeabsichtigte Inbetriebnahme. Vergewissern Sie sich, dass das Elektrowerkzeug ausgeschaltet ist, bevor Sie es an die Stromversorgung und/oder den Akku anschließen, es aufnehmen oder tragen. Wenn Sie beim Tragen des Elektrowerkzeugs den Finger am Schalter haben oder das Elektrowerkzeug eingeschaltet an die Stromversorgung anschließen, kann dies zu Unfällen führen.
- d) Entfernen Sie Einstellwerkzeuge oder Schraubenschlüssel, bevor Sie das Elektrowerkzeug einschalten. Ein Werkzeug oder Schlüssel, der sich in einem drehenden Teil des Elektrowerkzeugs befindet, kann zu Verletzungen führen.
- e) Vermeiden Sie eine abnormale Körperhaltung. Sorgen Sie für einen sicheren Stand und halten Sie jederzeit das Gleichgewicht. Dadurch können Sie das Elektrowerkzeug in unerwarteten Situationen besser kontrollieren.
- f) Tragen Sie geeignete Kleidung. Tragen Sie keine weite Kleidung oder Schmuck. Halten Sie Haare und Kleidung fern von sich bewegenden Teilen. Lockere Kleidung, Schmuck oder lange Haare können von sich bewegenden Teilen erfasst werden.
- g) Wenn Staubabsaug- und -auffangeinrichtungen montiert werden können, sind diese anzuschließen und richtig zu verwenden. Die Verwendung einer Staubabsaugung kann Gefährdungen durch Staub verringern.

4. Verwendung und Behandlung des Elektrowerkzeugs

- a) Überlasten Sie das Elektrowerkzeug nicht. Verwenden Sie für Ihre Arbeit das dafür bestimmte Elektrowerkzeug. Mit dem passenden Elektrowerkzeug arbeiten Sie besser und sicherer im angegebenen Leistungsbereich.
- b) Benutzen Sie kein Elektrowerkzeug, dessen Schalter defekt ist. Ein Elektrowerkzeug, das sich nicht mehr ein- oder ausschalten lässt, ist gefährlich und muss repariert werden.
- c) Ziehen Sie den Stecker aus der Steckdose und/oder entfernen Sie den abnehmbaren Akku, bevor Sie Geräteeinstellungen vornehmen, Einsatzwerkzeugteile wechseln oder das Elektrowerkzeug weglegen. Diese Vorsichtsmaßnahme verhindert den unbeabsichtigten Start des Elektrowerkzeugs.
- d) Bewahren Sie unbenutzte Elektrowerkzeuge außerhalb der Reichweite von Kindern auf. Lassen Sie keine Personen das Elektrowerkzeug benutzen, die mit diesem nicht vertraut sind oder diese Anweisungen nicht gelesen haben. Elektrowerkzeuge sind gefährlich, wenn sie von unerfahrenen Personen benutzt werden.
- e) Pflegen Sie Elektrowerkzeuge und Einsatzwerkzeug mit Sorgfalt. Kontrollieren Sie, ob bewegliche Teile einwandfrei funktionieren und nicht klemmen, ob Teile gebrochen oder so beschädigt sind, dass die Funktion des Elektrowerkzeugs beeinträchtigt ist. Lassen Sie beschädigte Teile vor dem Einsatz des Elektrowerkzeuges reparieren. Viele Unfälle haben ihre Ursache in schlecht gewarteten Elektrowerkzeugen.
- f) Halten Sie Schneidwerkzeuge scharf und sauber. Sorgfältig gepflegte Schneidwerkzeuge mit scharfen Schneidkanten verklemmen sich weniger und sind leichter zu führen.
- g) Verwenden Sie Elektrowerkzeug, Einsatzwerkzeug, Einsatzwerkzeuge usw. entsprechend diesen Anweisungen. Berücksichtigen Sie dabei die Arbeitsbedingungen und die auszuführende Tätigkeit. Der Gebrauch von Elektrowerkzeugen für andere als die vorgesehenen Anwendungen kann zu gefährlichen Situationen führen.

5. Service

- a) Lassen Sie Ihr Elektrowerkzeug nur von qualifiziertem Fachpersonal und nur mit Original-Ersatzteilen reparieren. Damit wird sichergestellt, dass die Sicherheit des Elektrowerkzeugs erhalten bleibt.

Gerätespezifische Sicherheits-hinweise für Hämmer

-  Tragen Sie Gehörschutz. Die Einwirkung von Lärm kann Hörverlust bewirken.
- Benutzen Sie mit dem Gerät gelieferte Zusatzhandgriffe. Der Verlust der Kontrolle kann zu Verletzungen führen.
- Halten Sie das Gerät an den isolierten Griffflächen, wenn Sie Arbeiten ausführen, bei denen das Einsatzwerkzeug verborgene Stromleitungen oder das eigene Netzkabel treffen kann. Der Kontakt mit einer spannungsführenden Leitung kann auch metallene Geräte-teile unter Spannung setzen und zu einem elektrischen Schlag führen.
-  Tragen Sie eine Staubschutzmaske.

Montage

Zusatz-Handgriff

- ◆ Sie können den Zusatz-Handgriff **4** beliebig schwenken.
- ◆ Lösen Sie die Rändelmutter **5**.
- ◆ Schwenken Sie den Zusatz-Handgriff **4** um die Geräteachse und/oder um 180° nach vorne oder hinten in die gewünschte Position (siehe Ausklappseite).
- ◆ Ziehen Sie die Rändelmutter **5** wieder fest.

Werkzeug einsetzen



Das mitgelieferte Fett ist nur zum Einfetten der Werkzeugaufnahme **7** bestimmt.

- ◆ Ziehen Sie die Verriegelungshülse **8** nach hinten.
- ◆ Fetten Sie vor dem Einsetzen des Werkzeugs die Werkzeugaufnahme **7** leicht ein.
- ◆ Setzen Sie das Werkzeug mit einer drehenden Bewegung in die Werkzeugaufnahme **7** ein, bis es selbst einrastet.
- ◆ Lassen Sie die Verriegelungshülse **8** los. Dadurch wird die Aufnahme verriegelt. Überprüfen Sie durch Ziehen des Werkzeugs die einwandfreie Verriegelung. Das Werkzeug hat systembedingt ein radiales Spiel.

Werkzeug entnehmen

- ◆ Ziehen Sie die Verriegelungshülse **8** des Werkzeugs nach hinten und ziehen Sie das Werkzeug aus der Werkzeugaufnahme **7** heraus.

Meißelposition verstellen

- ◆ Sie können den Flachmeißel **10** in eine für Sie optimale Arbeitsposition verstellen.
- ◆ Setzen Sie den Flachmeißel **10** in die Werkzeugaufnahme **7** ein.
- ◆ Schieben Sie den Meißelverstellung **6** nach vorne und drehen Sie mit dem Meißelverstellung **6** den Flachmeißel **10** in die erforderliche Position.
- ◆ Lassen Sie den Meißelverstellung **6** los und drehen Sie ihn bis er einrastet.

Inbetriebnahme

Ein- und ausschalten

Sie können beim Betrieb zwischen Moment- und Dauerbetrieb auswählen.

Momentbetrieb einschalten

- ◆ Drücken Sie den EIN-/AUS-Schalter **3**.

Momentbetrieb ausschalten

- ◆ Lassen Sie den EIN-/AUS-Schalter **3** los.

Dauerbetrieb einschalten

- ◆ Drücken Sie den EIN-/AUS-Schalter **3** und stellen Sie ihn im gedrückten Zustand mit dem Feststellschalter **2** fest.

Dauerbetrieb ausschalten

- ◆ Drücken Sie den EIN-/AUS-Schalter **3** und lassen Sie ihn wieder los.

Wartung und Reinigung



WARNUNG! VERLETZUNGSGEFAHR!
Schalten Sie vor allen Arbeiten am Gerät das Gerät aus und ziehen Sie den Netzstecker.

- Das Gerät muss stets sauber, trocken und frei von Öl oder Schmierfetten sein.
- Verwenden Sie zum Reinigen des Gehäuses ein trockenes Tuch.
- Säubern Sie regelmäßig die Werkzeugaufnahme ⑦.

WARNUNG!

- Wenn die Anschlussleitung des Elektrowerkzeugs beschädigt ist, muss sie durch eine speziell vorgerichtete Anschlussleitung ersetzt werden, die über die Kundendienstorganisation erhältlich ist.

Entsorgung



Die Verpackung besteht aus umweltfreundlichen Materialien, die Sie über die örtlichen Recyclingstellen entsorgen können.



Werfen Sie Elektrowerkzeuge nicht in den Hausmüll!

Gemäß Europäischer Richtlinie 2012/19/EU müssen verbrauchte Elektrowerkzeuge getrennt gesammelt und einer umweltgerechten Wiederverwertung zugeführt werden.

Möglichkeiten zur Entsorgung des ausgedienten Gerätes erfahren Sie bei Ihrer Gemeinde- oder Stadtverwaltung.



Entsorgen Sie die Verpackung umweltgerecht. Beachten Sie die Kennzeichnung auf den verschiedenen Verpackungsmaterialien und trennen Sie diese gegebenenfalls gesondert. Die Verpackungsmaterialien sind gekennzeichnet mit Abkürzungen (a) und Ziffern (b) mit folgender Bedeutung: 1–7: Kunststoffe, 20–22: Papier und Pappe, 80–98: Verbundstoffe.



Möglichkeiten zur Entsorgung des ausgedienten Produkts erfahren Sie bei Ihrer Gemeinde- oder Stadtverwaltung.

Garantie der Kompernaß Handels GmbH

Sehr geehrte Kundin, sehr geehrter Kunde,

Sie erhalten auf dieses Gerät 3 Jahre Garantie ab Kaufdatum. Im Falle von Mängeln dieses Produkts stehen Ihnen gegen den Verkäufer des Produkts gesetzliche Rechte zu. Diese gesetzlichen Rechte werden durch unsere im Folgenden dargestellte Garantie nicht eingeschränkt.

Garantiebedingungen

Die Garantiefrist beginnt mit dem Kaufdatum. Bitte bewahren Sie den Kassenbon gut auf. Dieser wird als Nachweis für den Kauf benötigt.

Tritt innerhalb von drei Jahren ab dem Kaufdatum dieses Produkts ein Material- oder Fabrikationsfehler auf, wird das Produkt von uns – nach unserer Wahl – für Sie kostenlos repariert, ersetzt oder der Kaufpreis erstattet. Diese Garantieleistung setzt voraus, dass innerhalb der Dreijahresfrist das defekte Gerät und der Kaufbeleg (Kassenbon) vorgelegt und schriftlich kurz beschrieben wird, worin der Mangel besteht und wann er aufgetreten ist.

Wenn der Defekt von unserer Garantie gedeckt ist, erhalten Sie das reparierte oder ein neues Produkt zurück. Mit Reparatur oder Austausch des Produkts beginnt kein neuer Garantiezeitraum.

Garantiezeit und gesetzliche Mängelansprüche

Die Garantiezeit wird durch die Gewährleistung nicht verlängert. Dies gilt auch für ersetzte und reparierte Teile. Eventuell schon beim Kauf vorhandene Schäden und Mängel müssen sofort nach dem Auspacken gemeldet werden. Nach Ablauf der Garantiezeit anfallende Reparaturen sind kostenpflichtig.

Garantieumfang

Das Gerät wurde nach strengen Qualitätsrichtlinien sorgfältig produziert und vor Auslieferung gewissenhaft geprüft.

Die Garantieleistung gilt für Material- oder Fabrikationsfehler. Diese Garantie erstreckt sich nicht auf Produktteile, die normaler Abnutzung ausgesetzt sind und daher als Verschleißteile angesehen werden können oder für Beschädigungen an zerbrechlichen Teilen, z. B. Schalter oder Teile, die aus Glas gefertigt sind.

Diese Garantie verfällt, wenn das Produkt beschädigt, nicht sachgemäß benutzt oder gewartet wurde. Für eine sachgemäße Benutzung des Produkts sind alle in der Bedienungsanleitung aufgeführten Anweisungen genau einzuhalten. Verwendungszwecke und Handlungen, von denen in der Bedienungsanleitung abgeraten oder vor denen gewarnt wird, sind unbedingt zu vermeiden.

Das Produkt ist nur für den privaten und nicht für den gewerblichen Gebrauch bestimmt. Bei missbräuchlicher und unsachgemäßer Behandlung, Gewaltanwendung und bei Eingriffen, die nicht von unserer autorisierten Serviceniederlassung vorgenommen wurden, erlischt die Garantie.

Garantiezeit gilt nicht bei

- normaler Abnutzung der Akkukapazität
- gewerblichen Gebrauch des Produktes
- Beschädigung oder Veränderung des Produktes durch den Kunden
- Missachtung der Sicherheits- und Wartungsvorschriften, Bedienungsfehler
- Schäden durch Elementarereignisse

Abwicklung im Garantiefall

Um eine schnelle Bearbeitung Ihres Anliegens zu gewährleisten, folgen Sie bitte den folgenden Hinweisen:

- Bitte halten Sie für alle Anfragen den Kassenbon und die Artikelnummer (z. B. IAN 123456) als Nachweis für den Kauf bereit.
- Die Artikelnummer entnehmen Sie bitte dem Typenschild am Produkt, einer Gravur am Produkt, dem Titelblatt der Bedienungsanleitung (unten links) oder dem Aufkleber auf der Rück- oder Unterseite des Produktes.
- Sollten Funktionsfehler oder sonstige Mängel auftreten, kontaktieren Sie zunächst die nachfolgend benannte Serviceabteilung **telefonisch** oder per **E-Mail**.
- Ein als defekt erfasstes Produkt können Sie dann unter Beifügung des Kaufbelegs (Kassenbon) und der Angabe, worin der Mangel besteht und wann er aufgetreten ist, für Sie portofrei an die Ihnen mitgeteilte Serviceanschrift übersenden.



Auf www.lidl-service.com können Sie diese und viele weitere Handbücher, Produktvideos und Installationssoftware herunterladen.

Mit diesem QR-Code gelangen Sie direkt auf die Lidl-Service-Seite (www.lidl-service.com) und können mittels der Eingabe der Artikelnummer (IAN) 353936_2010 Ihre Bedienungsanleitung öffnen.

Service

DE Service Deutschland

Tel.: 0800 5435 111 (kostenfrei aus dem dt. Festnetz/Mobilfunknetz)
E-Mail: kompernass@lidl.de

AT Service Österreich

Tel.: 0820 201 222 (0,15 EUR/Min.)
E-Mail: kompernass@lidl.at

CH Service Schweiz

Tel.: 0842 665566 (0,08 CHF/Min., Mobilfunk max. 0,40 CHF/Min.)
E-Mail: kompernass@lidl.ch

IAN 353936_2010

Importeur

Bitte beachten Sie, dass die folgende Anschrift keine Serviceanschrift ist. Kontaktieren Sie zunächst die benannte Servicestelle.

KOMPERNASS HANDELS GMBH
BURGSTRASSE 21
44867 BOCHUM
DEUTSCHLAND
www.kompernass.com

Original-Konformitätserklärung

Wir, KOMPERNASS HANDELS GMBH, Dokumentenverantwortlicher: Herr Semi Uguzlu, BURGSTR. 21, 44867 BOCHUM, Deutschland, erklären hiermit, dass dieses Produkt mit den folgenden Normen, normativen Dokumenten und EG-Richtlinien übereinstimmt:

Maschinenrichtlinie

(2006/42/EG)

Elektromagnetische Verträglichkeit

(2014/30/EU)

RoHS-Richtlinie

(2011/65/EU)*

* Die alleinige Verantwortung für die Ausstellung dieser Konformitätserklärung trägt der Hersteller. Der oben beschriebene Gegenstand der Erklärung erfüllt die Vorschriften der Richtlinie 2011/65/EU des Europäischen Parlaments und des Rates vom 8. Juni 2011 zur Beschränkung der Verwendung bestimmter gefährlicher Stoffe in Elektro- und Elektronikgeräten.

Richtlinie für Geräuschemission

(2000/14/EC)

(2005/88/EC)

Angewandte harmonisierte Normen

EN 60745-1:2009/A11:2010

EN 60745-2-6:2010

EN 55014-1:2017

EN 55014-2:2015

EN 61000-3-2:2014

EN 61000-3-3:2013

EN 50581:2012

Typbezeichnung der Maschine: Abbruchhammer PAH 1300 B2

Herstellungsjahr: 12–2020

Seriennummer: IAN 353936_2010

Bochum, 08.12.2020



Semi Uguzlu

- Qualitätsmanager -

Technische Änderungen im Sinne der Weiterentwicklung sind vorbehalten.

KOMPERNASS HANDELS GMBH

BURGSTRASSE 21

44867 BOCHUM

GERMANY

www.kompernass.com

Last Information Update · Έκδοση των πληροφοριών · Stand der Informationen:
12 / 2020 · Ident.-No.: PAH1300B2-122020-1

IAN 353936_2010