



3-IN-1 MULTI-FUNCTION SANDER PMFS 200 C3

GB IE NI CY

3-IN-1 MULTI-FUNCTION SANDER

Translation of the original instructions

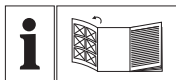
DE AT CH

3-IN-1-MULTIFUNKTIONSSCHLEIFER

Originalbetriebsanleitung

IAN 345815_2001

GB IE
NI



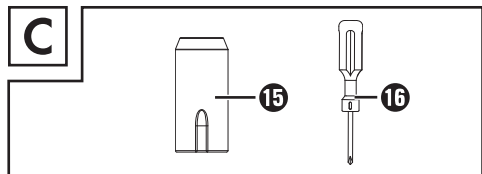
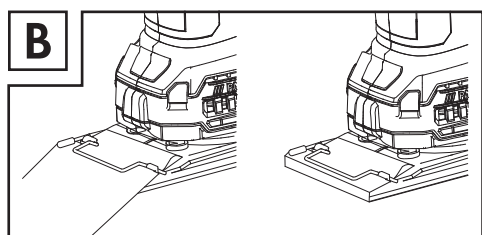
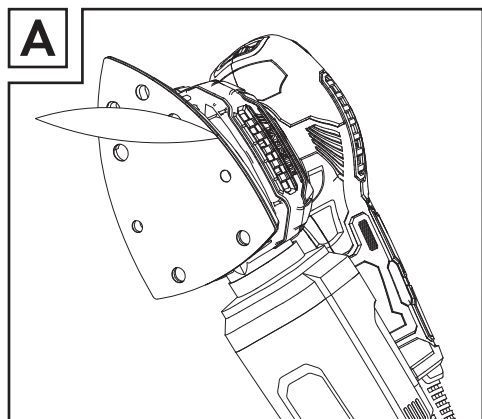
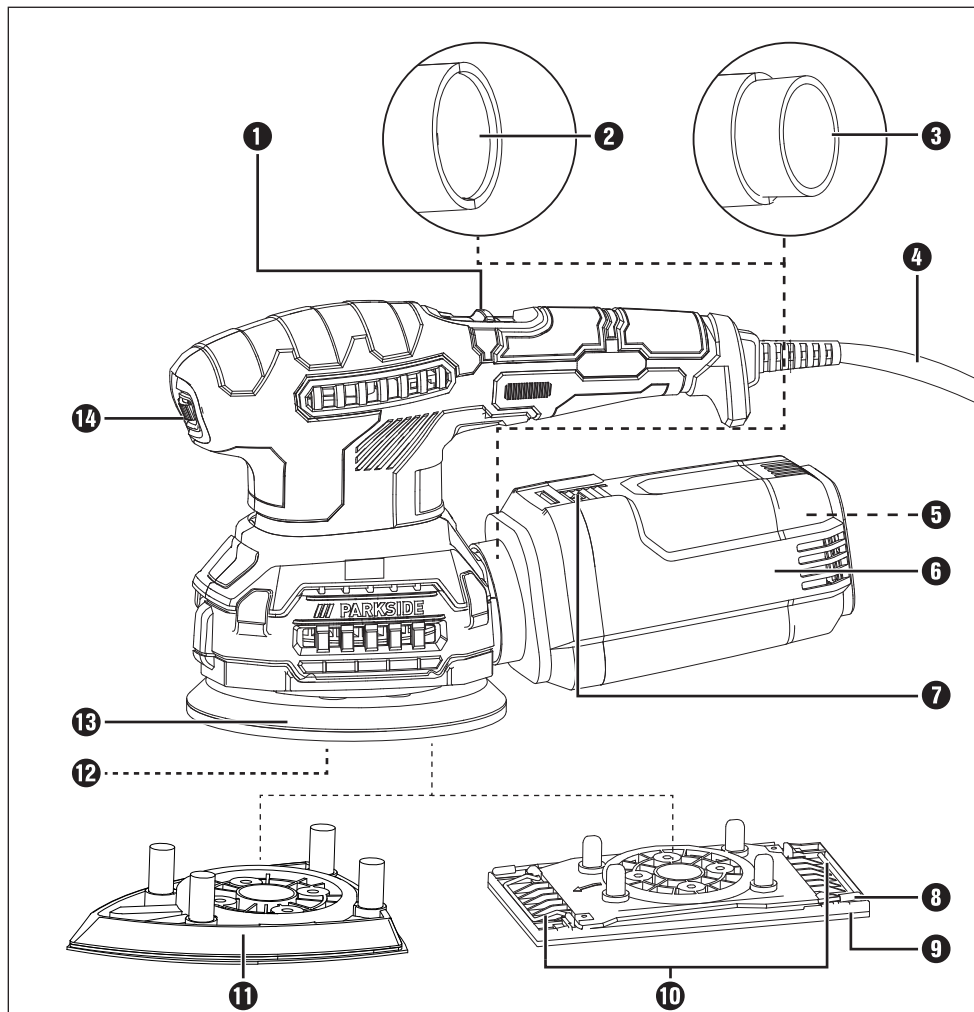
GB IE NI CY

Before reading, unfold the page containing the illustrations and familiarise yourself with all functions of the device.

DE AT CH

Klappen Sie vor dem Lesen die Seite mit den Abbildungen aus und machen Sie sich anschließend mit allen Funktionen des Gerätes vertraut.

GB/IE/NI/CY	Translation of the original instructions	Page	1
DE/AT/CH	Originalbetriebsanleitung	Seite	13



Contents

Introduction	2
Intended use	2
Features	2
Package contents	2
Technical specifications	2
General power tool safety warnings	3
1. Work area safety	3
2. Electrical safety	3
3. Personal safety	4
4. Power tool use and care	4
5. Service	5
Appliance-specific safety instructions	5
Before use	6
Fitting/changing the sander plate	6
Selecting a sanding sheet	6
Fitting the sanding sheet	6
Dust extraction	7
Dust box	7
Reducer	7
Use	7
Switching on and off	7
Setting the oscillating speed	7
Working procedures	7
Maintenance and cleaning	8
Kompernass Handels GmbH warranty	8
Service	9
Importer	10
Disposal	10
Translation of the original Conformity Declaration	11

3-IN-1 MULTI-FUNCTION SANDER PMFS 200 C3

Introduction



Congratulations on the purchase of your new appliance. You have chosen a high-quality product. The operating instructions are part of this product. They contain important information about safety, usage and disposal. Before using the product, please familiarise yourself with all of the operating and safety instructions. Use the product only as described and for the range of applications specified. Please also pass these operating instructions on to any future owner.

Intended use

Depending on the sandpaper being used, this appliance is suitable for the dry sanding of wood, plastic, metal, filler and also painted surfaces. The appliance is particularly suitable for corners, edges and hard-to-reach areas. Any other usage of or modification to the appliance is deemed to be improper and carries a significant risk of accidents. The manufacturer accepts no responsibility for damage(s) resulting from improper usage. This appliance is not intended for commercial use.

Features

- 1 ON/OFF switch
- 2 Adapter fitting
- 3 Reducer for external extraction appliances
- 4 Mains cable
- 5 Dust bag
- 6 Dust box
- 7 Release button for dust box
- 8 Clamping levers
- 9 Orbital sander plate
- 10 Clamping rails
- 11 Delta sander plate
- 12 Screws (8x)
- 13 Random orbital sander plate
- 14 Speed selector
- 15 Rubber pin (8x)
- 16 Phillips screwdriver

Package contents

- 1 3-in-1 multi-function sander
- 1 Random orbital sander plate with Velcro fastener
- 1 Orbital sander plate with Velcro fastener
- 1 Delta sander plate with Velcro fastener
- 2 Random orbital sanding sheets (grain size 80/240)
- 2 Orbital sanding sheets (grain size 80/240)
- 2 Delta sanding sheets (grain size 80/240)
- 1 Dust box
- 1 Reducer for external extraction appliances
- 8 Rubber pins (4x pre-installed)
- 8 Screws (4x pre-installed)
- 1 Phillips screwdriver
- 1 Set of operating instructions

Technical specifications

Rated power consumption:	200 W
Nominal voltage:	230 V ~ 50 Hz
Rated idle speed:	n_0 7000–12000 rpm
Rated oscillation speed:	14000–24000 rpm
Protection class:	II/□

Noise and vibration data:

Noise measurement value determined in accordance with EN 62841. The A-rated noise level of the power tool is typically as follows:

Sound pressure level	L_{PA} : 74.3 dB (A)
Sound power level	L_{WA} : 85.3 dB (A)
Uncertainty	K: 3 dB



Wear ear muffs!

Rated acceleration, typically:

Hand/arm vibration $a_h = 5.428 \text{ m/s}^2$
 Uncertainty $K = 1.5 \text{ m/s}^2$

NOTE

- ▶ The vibration emission values and the noise emission values given in these instructions have been measured in accordance with a standardised test procedure and can be used for comparison of the power tool with another tool.
- ▶ The specified total vibration values and the noise emission values can also be used to make a provisional load estimate.

⚠ WARNING!

- ▶ Depending on the manner in which the power tool is being used, and in particular the kind of workpiece being worked, the vibration and noise emission values can deviate from the values given in these instructions during actual use of the power tool.
- ▶ Try to keep the vibration loads as low as possible. Measures to reduce the vibration load are, e.g. wearing gloves and limiting the working time. Wherein all states of operation must be included (e.g. times when the power tool is switched off and times where the power tool is switched on but running without load).



General power tool safety warnings

⚠ WARNING!

- ▶ Read all safety warnings, instructions, illustrations and specifications provided with this power tool. Failure to follow all instructions listed below may result in electric shock, fire and/or serious injury.

Save all warnings and instructions for future reference.

The term “power tool” in the warnings refers to your mains-operated (corded) power tool or battery-operated (cordless) power tool.

1. Work area safety

- a) **Keep work area clean and well lit.** Cluttered or dark areas invite accidents.
- b) **Do not operate power tools in explosive atmospheres, such as in the presence of flammable liquids, gases or dust.** Power tools create sparks which may ignite the dust or fumes.
- c) **Keep children and bystanders away while operating a power tool.** Distractions can cause you to lose control.

2. Electrical safety

- a) **Power tool plugs must match the outlet. Never modify the plug in any way.**
Do not use any adapter plugs with earthed (grounded) power tools. Unmodified plugs and matching outlets will reduce risk of electric shock.
- b) **Avoid body contact with earthed or grounded surfaces, such as pipes, radiators, ranges and refrigerators.** There is an increased risk of electric shock if your body is earthed or grounded.
- c) **Do not expose power tools to rain or wet conditions.** Water entering a power tool will increase the risk of electric shock.
- d) **Do not abuse the cord. Never use the cord for carrying, pulling or unplugging the power tool. Keep cord away from heat, oil, sharp edges or moving parts.** Damaged or entangled cords increase the risk of electric shock.

- e) When working outdoors with an electrical power tool, always use extension cords that are also suitable for use outdoors. Use of a cord suitable for outdoor use reduces the risk of electric shock.
- f) If operating a power tool in a damp location is unavoidable, use a residual current device (RCD) protected supply. Use of an RCD reduces the risk of electric shock.

3. Personal safety

- a) Stay alert, watch what you are doing and use common sense when operating a power tool. Do not use a power tool while you are tired or under the influence of drugs, alcohol or medication. A moment of inattention while operating a power tool may result in serious personal injury.
- b) Use personal protective equipment. Always wear eye protection. Protective equipment such as a dust mask, non-skid safety shoes, hard hat or hearing protection used for appropriate conditions will reduce personal injuries.
- c) Prevent unintentional starting. Ensure the switch is in the off-position before connecting to power source and/or battery pack, picking up or carrying the tool. Carrying power tools with your finger on the switch or energising power tools that have the switch on invites accidents.
- d) Remove any adjusting key or wrench before turning the power tool on. A wrench or a key left attached to a rotating part of the power tool may result in personal injury.
- e) Do not overreach. Keep proper footing and balance at all times. This enables better control of the power tool in unexpected situations.
- f) Dress properly. Do not wear loose clothing or jewellery. Keep your hair and clothing away from moving parts. Loose clothes, jewellery or long hair can be caught in moving parts.
- g) If devices are provided for the connection of dust extraction and collection facilities, ensure these are connected and properly used. Use of dust collection can reduce dust-related hazards.

- h) Do not allow yourself to get lulled into a false sense of security and do not ignore the safety rules for power tools, even if you are familiar with the power tool after repeated use. A careless action can cause severe injury within a fraction of a second.

4. Power tool use and care

- a) Do not force the power tool. Use the correct power tool for your application. The correct power tool will do the job better and safer at the rate for which it was designed.
- b) Do not use the power tool if the switch does not turn it on and off. Any power tool that cannot be controlled with the switch is dangerous and must be repaired.
- c) Disconnect the plug from the power source and/or remove the battery pack, if detachable, from the power tool before making any adjustments, changing accessories, or storing power tools. Such preventive safety measures reduce the risk of starting the power tool accidentally.
- d) Store idle power tools out of the reach of children, and do not allow persons unfamiliar with the power tool or these instructions to operate the power tool. Power tools are dangerous in the hands of untrained users.
- e) Maintain power tools and accessories. Check for misalignment or binding of moving parts, breakage of parts and any other condition that may affect the power tool's operation. If damaged, have the power tool repaired before use. Many accidents are caused by poorly maintained power tools.
- f) Keep cutting tools sharp and clean. Properly maintained cutting tools with sharp cutting edges are less likely to bind and are easier to control.
- g) Use the power tool, accessories and tool bits, etc., in accordance with these instructions, taking into account the working conditions and the work to be performed. Use of the power tool for operations different from those intended could result in a hazardous situation.

- h) Keep handles and grasping surfaces dry, clean and free from oil and grease. Slippery handles and grasping surfaces do not allow for safe handling and control of the tool in unexpected situations.

5. Service

- a) Have your power tool serviced by a qualified repair person using only identical replacement parts. This will ensure that the safety of the power tool is maintained.
- b) Always arrange for the replacement of the plug or the power cord to be carried out by the manufacturer of the appliance or by his approved customer services. This will ensure that the safety of the power tool is maintained.

Appliance-specific safety instructions

- Secure the workpiece. A workpiece securely held by a clamping device or vice is much safer than one held in your hand.
- Do not rest your hands next to or in front of the appliance and the area being worked as there is a risk of injury if you slip.
- In the event of danger, remove the mains plug from the socket immediately.
- Always route the power cable towards the rear, away from the appliance.
- **RISK OF FIRE DUE TO FLYING SPARKS!**
If you sand metal, sparks will be produced. Therefore, make sure that nobody is at risk and that no combustible materials are located in the immediate vicinity of where you are working.
- Hold the power tool by the insulated gripping surfaces, as the grinding surface could hit its own cable. Damage to a live wire may make exposed metal parts of the power tool live and could give the operator an electric shock.

WARNING! TOXIC VAPOURS!

- ▶ Working with the tool can produce harmful/toxic dusts that represent a health hazard for the person operating the appliance and for any other people in the area.

WARNING! **RISKS DUE TO DUST!**

- ▶ When working for extended periods of time on wood and, in particular, materials that produce dust which is hazardous to health, connect the appliance to an appropriate external dust extraction appliance. **Wear safety goggles and a protective dust mask!**
- Ensure sufficient ventilation when working on plastics, paints, lacquers, etc.
- Do not soak the materials or the area to be processed with liquids containing solvents.
- Never work on moistened materials or damp surfaces.
- Avoid sanding lead paint or other harmful materials.
- Materials containing asbestos must not be processed. Asbestos is a known carcinogen.
- Avoid contact with the sanding sheet while the appliance is running!
- Do not use the appliance without a sanding sheet fitted.
- Never use the appliance for other purposes and only use original parts/accessories. Using attachments or accessory tools other than those recommended in the operating instructions can lead to a risk of injury.
- Always allow the appliance to come to a complete standstill before putting it down.
- The appliance must always be kept clean, dry and free from oil or grease.

Before use

Fitting/changing the sander plate

⚠ WARNING!

- ▶ Always remove the plug from the mains power socket before carrying out any work on the appliance.
- ◆ Use the appropriate sander plate **9** **11** **13** for the corresponding application.
- ◆ Remove the four screws **12** using the supplied Phillips screwdriver **16**.
- ◆ Remove the pre-fitted sander plate.

NOTE

- ▶ The orbital sander plate **9** can only be fitted to the appliance in one direction. Please pay attention to the arrow marks on the orbital sander plate **9**. These must point forwards. With the delta sander plate **11** the tip points forwards.
- ▶ The rubber pins **15** have a groove on the side. The groove must be aligned with the tabs in the mounting holes on the respective sander plate **9** **11**. This allows you to insert the rubber pins **15** into the sander plate **9** **11**.
- ◆ Now fit the required sander plate. Ensure that the mounting plate **B** is aligned with the sander plate. The threaded holes of the mounting plate **B** must be aligned with the corresponding holes on the respective sander plate. Align the rubber pins **A** **15** (only on sander plates **9** and **11**) with the holes in the appliance (see fig. 1).

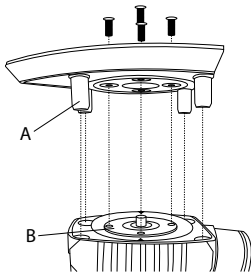


Figure 1

- ◆ Re-tighten the four screws **12** using the Phillips screwdriver **16**.
- ◆ Check that the sander plate is fitted securely.

Selecting a sanding sheet

Removal and surface:

The material removal rate and surface quality are determined by the grain strength of the sanding sheet.

- ◆ Please note that you need to use appropriate sanding sheets with different grains for working different materials.

Fitting the sanding sheet

⚠ WARNING!

- ▶ Always remove the plug from the mains power socket before carrying out any work on the appliance.

NOTE

- ▶ Before fitting a new sanding sheet, remove any dust and dirt from the sander plate **9** **11** **13**.

Attaching sanding sheets using Velcro:

- ◆ You can attach the sanding sheet to the sander plate **9** **11** **13** using Velcro.
- ◆ Ensure that the extraction holes on the sanding sheet match up with those on the sander plate.

Removing sanding sheets fitted using Velcro:

- ◆ Simply pull the sanding sheet off the sander plate **9** **11** **13** (see fig. A on the fold-out page).

Attaching sanding sheets without using Velcro (see fig. B on the fold-out page, not supplied):

- ◆ Open the two clamping levers **8**.
- ◆ Push the sanding sheet under the open clamping rail **10** at one end and clamp it firmly in place with the clamping lever.
- ◆ Follow the same procedure at the other end.

Dust extraction

⚠ WARNING! RISK OF FIRE!

- ▶ When working with power tools that have a dust collection box or can be connected to a vacuum cleaner via the vacuum cleaner adapter, there is a risk of fire! In unfavourable conditions, e.g. when sparks are flying while sanding metal or metal residues in wood, wood dust in the dust sack (or in the vacuum cleaner dust bag) can spontaneously ignite. This is a particular risk if the wood dust is mixed with paint residues or other chemicals and the workpiece has become hot after being worked for a long time. Therefore, do not allow the workpiece to overheat and always empty the dust box or the dust bag of the vacuum cleaner before taking a break from work.

Wear a dust mask!

NOTE

- ▶ Perforated sanding sheets are required for dust extraction.

Dust box

Connecting:

- ◆ Push the dust box **6** onto the multi-sander as far as the stop.

Removal:

- ◆ Pull the dust box **6** backwards off the appliance.

NOTE

- ▶ To achieve optimum dust extraction, the dust box **6** should be emptied regularly.
- ◆ To do this, remove the dust box **6** off the appliance as described above. To do this, open the dust box **6** by pressing on the release button **7** and pulling off the rear part. Now remove the dust bag **5**. Clean the dust bag **5** thoroughly by tapping it out.

Reducer

Connecting:

- ◆ Push the reducer **3** into the adapter fitting **2**.
- ◆ Push the hose of a suitable vacuum cleaning appliance (e.g. a workshop vacuum cleaner) onto the reducer **3**.

Removal:

- ◆ Pull the hose of the vacuum cleaner off the reducer **3**.
- ◆ Remove the reducer **3**.

Use

⚠ CAUTION!

- ▶ Ensure that the appliance is switched off before connecting it to the mains.

NOTE

- ▶ Always switch the multi-sander on before applying it to the material, then move it over the workpiece.

Switching on and off

Switching the appliance on:

- ◆ Move the ON/OFF switch **1** to the "I" position.

Switching the appliance off:

- ◆ Move the ON/OFF switch **1** to the "O" position.

Setting the oscillating speed

You can set the desired oscillating speed using the speed selector **14** as required. The required speed depends on the material being processed and can be determined through practical tests.

Working procedures

- Switch the appliance on before applying it to the workpiece.
- Apply minimal pressure when working.
- Work at a constant speed.
- Change the sanding sheets regularly.

- Never use the same sanding sheet for sanding different materials (e.g. wood followed by metal). Optimum sanding results can only be achieved by using clean sanding sheets.
- Clean the sanding sheet every once in a while using a vacuum cleaner.
- Sand hard-to-reach places with the front or side edge of the sanding sheet on the sander plate.
- Guide the sander over the workpiece in parallel and use overlapping sanding motions.
- After completing the task, lift the appliance from the workpiece and then switch it off.

Maintenance and cleaning

WARNING!

- ▶ Always remove the plug from the mains power socket before carrying out any work on the appliance.

The multi-sander is maintenance-free.

- Always clean the appliance directly after completion of work.
- Use a dry cloth to clean the housing.
- Remove any sanding dust stuck to the appliance with a brush.
- Never use sharp objects, petrol, solvents or cleaning agents which can damage plastic. Do not allow any liquids to get into the interior of the appliance.
- Always keep the ventilation openings free of obstructions.

Kompernass Handels GmbH warranty

Dear Customer,

This appliance has a 3-year warranty valid from the date of purchase. If this product has any faults, you, the buyer, have certain statutory rights. Your statutory rights are not restricted in any way by the warranty described below.

Warranty conditions

The warranty period starts on the date of purchase. Please keep your receipt in a safe place. This will be required as proof of purchase.

If any material or manufacturing fault occurs within three years of the date of purchase of the product, we will either repair or replace the product for you or refund the purchase price (at our discretion).

This warranty service requires that you present the defective appliance and the proof of purchase (receipt) within the three-year warranty period, along with a brief written description of the fault and of when it occurred.

If the defect is covered by the warranty, your product will either be repaired or replaced by us. The repair or replacement of a product does not signify the beginning of a new warranty period.

Warranty period and statutory claims for defects

The warranty period is not prolonged by repairs effected under the warranty. This also applies to replaced and repaired components. Any damage and defects present at the time of purchase must be reported immediately after unpacking. Repairs carried out after expiry of the warranty period shall be subject to a fee.

Scope of the warranty

This appliance has been manufactured in accordance with strict quality guidelines and inspected meticulously prior to delivery.

The warranty covers material faults or production faults. The warranty does not extend to product parts subject to normal wear and tear or to fragile parts which could be considered as consumable parts such as switches or parts made of glass.

The warranty does not apply if the product has been damaged, improperly used or improperly maintained. The directions in the operating instructions for the product regarding proper use of the product are to be strictly followed. Uses and actions that are discouraged in the operating instructions or which are warned against must be avoided.

This product is intended solely for private use and not for commercial purposes. The warranty shall be deemed void in cases of misuse or improper handling, use of force and modifications / repairs which have not been carried out by one of our authorised Service centres.

The warranty period does not apply to

- Normal reduction of the battery capacity over time
- Commercial use of the product
- Damage to or alteration of the product by the customer
- Non-compliance with safety and maintenance instructions, operating errors
- Damage caused by natural hazards

Warranty claim procedure

To ensure quick processing of your case, please observe the following instructions:

- Please have the till receipt and the item number (e.g. IAN 123456_7890) available as proof of purchase.
- You will find the item number on the type plate on the product, an engraving on the product, on the front page of the operating instructions (below left) or on the sticker on the rear or bottom of the product.
- If functional or other defects occur, please contact the service department listed either by **telephone** or by **e-mail**.
- You can return a defective product to us free of charge to the service address that will be provided to you. Ensure that you enclose the proof of purchase (till receipt) and information about what the defect is and when it occurred.



You can download these instructions along with many other manuals, product videos and installation software at www.lidl-service.com.

This QR code will take you directly to the Lidl service page (www.lidl-service.com) where you can open your operating instructions by entering the item number (IAN) 345815_2001.

Service

⚠ WARNING!

- ▶ **Have the appliances repaired by the Service Centre or a qualified electrician and only using genuine replacement parts.** This will ensure that the safety of the appliance is maintained.
- ▶ **Always ensure that the power plug or the mains cable is replaced only by the manufacturer of the appliance or by an approved customer service provider.** This will ensure that the safety of the appliance is maintained.

GB Service Great Britain
 Tel.: 0800 404 7657
 E-Mail: kompernass@lidl.co.uk

IE Service Ireland
 Tel.: 1890 930 034
 (0,08 EUR/Min., (peak))
 (0,06 EUR/Min., (off peak))
 E-Mail: kompernass@lidl.ie

CY Service Cyprus
 Tel.: 8009 4409
 E-Mail: kompernass@lidl.com.cy

IAN 345815_2001

Importer

Please note that the following address is not the service address. Please use the service address provided in the operating instructions.

KOMPERNASS HANDELS GMBH
BURGSTRASSE 21
44867 BOCHUM
GERMANY
www.kompernass.com

Disposal



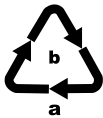
The packaging is made from environmentally friendly material which can be disposed of at your local recycling plant.



Do not dispose of power tools in your normal domestic waste!

European Directive 2012/19/EU requires that worn-out power tools be collected separately and recycled in an environmentally compatible manner.

Your local community or municipal authorities can provide information on how to dispose of the worn-out appliance.



Dispose of the packaging in an environmentally friendly manner. Note the labelling on the packaging and separate the packaging material components for disposal if necessary. The packaging material is labelled with abbreviations (a) and numbers (b) with the following meanings:
1–7: plastics,
20–22: paper and cardboard,
80–98: composites



Your local community or municipal authorities can provide information on how to dispose of the worn-out product.

Translation of the original Conformity Declaration

We, KOMPERNASS HANDELS GMBH, document officer: Mr Semi Uguzlu, BURGSTR. 21, 44867 BOCHUM, GERMANY, hereby declare that this product complies with the following standards, normative documents and EC directives:

**Machinery Directive
(2006/42/EC)**

**Electromagnetic Compatibility
(2014/30/EU)**

**RoHS Directive
(2011/65/EU)***

*The manufacturer bears the full responsibility for compliance with this conformity declaration. The object of the declaration described above complies with the requirements of the Directive 2011/65/EU of the European Parliament and Council of 8 June 2011 on the limitations of use of certain dangerous substances in electrical and electronic appliances.

Applied harmonised standards:

EN 62841-1:2015

EN 62841-2-4:2014

EN 55014-1:2017

EN 55014-2:2015

EN 61000-3-2:2014

EN 61000-3-3:2013

EN 50581:2012

Type/appliance designation: 3-in-1 multi-function sander PMFS 200 C3

Year of manufacture: 06-2020

Serial number: IAN 345815_2001

Bochum, 03/08/2020




Semi Uguzlu

- Quality Manager -

We reserve the right to make technical changes in the context of further product development.

Inhaltsverzeichnis

Einleitung	14
Bestimmungsgemäßer Gebrauch	14
Ausstattung	14
Lieferumfang	14
Technische Daten	14
Allgemeine Sicherheitshinweise für Elektrowerkzeuge	15
1. Arbeitsplatzsicherheit	15
2. Elektrische Sicherheit	15
3. Sicherheit von Personen	16
4. Verwendung und Behandlung des Elektrowerkzeugs	16
5. Service	17
Gerätespezifische Sicherheitshinweise	17
Vor der Inbetriebnahme	18
Schleifplatte montieren/wechseln	18
Schleifblatt wählen	19
Schleifblatt befestigen	19
Staubabsaugung	19
Staubbox zur Eigenabsaugung	19
Reduzierstück	20
Inbetriebnahme	20
Ein- und ausschalten	20
Schwingzahl einstellen	20
Arbeitshinweise	20
Wartung und Reinigung	20
Garantie der Kompernaß Handels GmbH	21
Service	22
Importeur	22
Entsorgung	22
Original-Konformitätserklärung	23

3-IN-1-MULTIFUNKTIONS- SCHLEIFER PMFS 200 C3

Einleitung



Wir beglückwünschen Sie zum Kauf Ihres neuen Gerätes. Sie haben sich damit für ein hochwertiges Produkt entschieden. Die Bedienungsanleitung ist Teil dieses Produkts. Sie enthält wichtige Hinweise für Sicherheit, Gebrauch und Entsorgung. Machen Sie sich vor der Benutzung des Produkts mit allen Bedien- und Sicherheitshinweisen vertraut. Benutzen Sie das Produkt nur wie beschrieben und für die angegebenen Einsatzbereiche. Händigen Sie alle Unterlagen bei Weitergabe des Produkts an Dritte mit aus.

Bestimmungsgemäßer Gebrauch

Das Gerät ist – je nach Schleifpapier – zum trockenen Schleifen von Holz, Kunststoff, Metall, Spachtelmasse sowie lackierten Oberflächen bestimmt. Das Gerät ist besonders geeignet für Ecken, Profile oder schwer zugängliche Stellen. Jede andere Verwendung oder Veränderung des Gerätes gilt als nicht bestimmungsgemäß und birgt erhebliche Unfallgefahren. Für aus bestimmungswidriger Verwendung entstandene Schäden übernehmen wir keine Haftung. Nicht für den gewerblichen Gebrauch bestimmt.

Ausstattung

- 1 EIN- / AUS-Schalter
- 2 Adapteranschluss
- 3 Reduzierstück zur Fremdabsaugung
- 4 Netzleitung
- 5 Staubbeutel
- 6 Staubbox zur Eigenabsaugung
- 7 Entriegelungstaste Staubbox
- 8 Spannhebel
- 9 Schwingschleifplatte
- 10 Klemmleisten
- 11 Dreieckschleifplatte
- 12 Schraube (8x)
- 13 Exzenterschleifplatte
- 14 Schwingzahlvorwahl
- 15 Gummistift (8x)
- 16 Keuzschlitzschraubendreher

Lieferumfang

- 1 3-in-1 Multifunktionsschleifer
- 1 Exzenterschleifplatte mit Kletthaftung
- 1 Schwingschleifplatte mit Kletthaftung
- 1 Dreieckschleifplatte mit Kletthaftung
- 2 Exzenterschleifblätter (Körnung 80/240)
- 2 Schwingschleifblätter (Körnung 80/240)
- 2 Dreieckschleifblätter (Körnung 80/240)
- 1 Staubbox
- 1 Reduzierstück zur Fremdabsaugung
- 8 Gummistifte (4x vormontiert)
- 8 Schrauben (4x vormontiert)
- 1 Keuzschlitzschraubendreher
- 1 Bedienungsanleitung

Technische Daten

Bemessungsaufnahme:	200 W
Nennspannung:	230 V ~ 50 Hz
Bemessungs-	
Leerlaufdrehzahl:	n_0 7000 - 12000 min ⁻¹
Nennschwingzahl:	14000 - 24000 min ⁻¹
Schutzklasse:	II/□

Geräusch- und Vibrationsinformationen:

Messwert für Geräusch ermittelt entsprechend EN 62841. Der A-bewertete Geräuschpegel des Elektrowerkzeugs beträgt typischerweise:

Schalldruckpegel L_{pA} : 74,3 dB (A)

Schallleistungspegel L_{WA} : 85,3 dB (A)

Unsicherheit K: 3 dB



Gehörschutz tragen!

Bewertete Beschleunigung, typischerweise:

Hand- / Armvibration a_h = 5,428 m / s²

Unsicherheit K = 1,5 m / s²

HINWEIS

- ▶ Die angegebenen Schwingungsgesamtwerte und die angegebenen Geräuschemissionswerte sind nach einem genormten Prüfverfahren gemessen worden und können zum Vergleich eines Elektrowerkzeugs mit einem anderen verwendet werden.
- ▶ Die angegebenen Schwingungsgesamtwerte und die angegebenen Geräuschemissionswerte können auch zu einer vorläufigen Einschätzung der Belastung verwendet werden.

⚠️ WARNUNG!

- ▶ Die Schwingungs- und Geräuschemissionen können während der tatsächlichen Benutzung des Elektrowerkzeugs von den Angabewerten abweichen, abhängig von der Art und Weise, in der das Elektrowerkzeug verwendet wird, insbesondere, welche Art von Werkstück bearbeitet wird.
- ▶ Versuchen Sie, die Belastung so gering wie möglich zu halten. Beispielhafte Maßnahmen zur Verringerung der Vibrationsbelastung sind das Tragen von Handschuhen beim Gebrauch des Werkzeugs und die Begrenzung der Arbeitszeit. Dabei sind alle Anteile des Betriebszyklus zu berücksichtigen (beispielsweise Zeiten, in denen das Elektrowerkzeug abgeschaltet ist, und solche, in denen es zwar eingeschaltet ist, aber ohne Belastung läuft).



Allgemeine Sicherheitshinweise für Elektrowerkzeuge

⚠️ WARNUNG!

- ▶ Lesen Sie alle Sicherheitshinweise, Anweisungen, Gebildungen und technischen Daten, mit denen dieses Elektrowerkzeug versehen ist. Versäumnisse bei der Einhaltung der nachfolgenden Anweisungen können elektrischen Schlag, Brand und/oder schwere Verletzungen verursachen.

Bewahren Sie alle Sicherheitshinweise und Anweisungen für die Zukunft auf.

Der in den Sicherheitshinweisen verwendete Begriff „Elektrowerkzeug“ bezieht sich auf netzbetriebene Elektrowerkzeuge (mit Netzleitung) und auf akkubetriebene Elektrowerkzeuge (ohne Netzleitung).

1. Arbeitsplatzsicherheit

- a) Halten Sie Ihren Arbeitsbereich sauber und gut beleuchtet. Unordnung und unbeleuchtete Arbeitsbereiche können zu Unfällen führen.
- b) Arbeiten Sie mit dem Elektrowerkzeug nicht in explosionsgefährdeter Umgebung, in der sich brennbare Flüssigkeiten, Gase oder Stäube befinden. Elektrowerkzeuge erzeugen Funken, die den Staub oder die Dämpfe entzünden können.
- c) Halten Sie Kinder und andere Personen während der Benutzung des Elektrowerkzeugs fern. Bei Ablenkung können Sie die Kontrolle über das Elektrowerkzeug verlieren.

2. Elektrische Sicherheit

- a) Der Anschlussstecker des Elektrowerkzeugs muss in die Steckdose passen. Der Stecker darf in keiner Weise verändert werden. Verwenden Sie keine Adapterstecker gemeinsam mit schutzgeerdeten Elektrowerkzeugen. Unveränderte Stecker und passende Steckdosen verringern das Risiko eines elektrischen Schlages.

- b) Vermeiden Sie Körperkontakt mit geerdeten Oberflächen wie von Rohren, Heizungen, Herden und Kühlschränken. Es besteht ein erhöhtes Risiko durch elektrischen Schlag, wenn Ihr Körper geerdet ist.
- c) Halten Sie Elektrowerkzeuge von Regen oder Nässe fern. Das Eindringen von Wasser in ein Elektrowerkzeug erhöht das Risiko eines elektrischen Schlages.
- d) Zweckentfremden Sie die Anschlussleitung nicht, um das Elektrowerkzeug zu tragen, aufzuhängen oder um den Stecker aus der Steckdose zu ziehen. Halten Sie die Anschlussleitung fern von Hitze, Öl, scharfen Kanten oder sich bewegenden Teilen. Beschädigte oder verwickelte Anschlussleitungen erhöhen das Risiko eines elektrischen Schlages.
- e) Wenn Sie mit einem Elektrowerkzeug im Freien arbeiten, verwenden Sie nur Verlängerungsleitungen, die auch für den Außenbereich geeignet sind. Die Anwendung einer für den Außenbereich geeigneten Verlängerungsleitung verringert das Risiko eines elektrischen Schlages.
- f) Wenn der Betrieb des Elektrowerkzeugs in feuchter Umgebung nicht vermeidbar ist, verwenden Sie einen Fehlerstromschutzschalter. Der Einsatz eines Fehlerstromschutzschalters vermindert das Risiko eines elektrischen Schlages.
- c) Vermeiden Sie eine unbeabsichtigte Inbetriebnahme. Vergewissern Sie sich, dass das Elektrowerkzeug ausgeschaltet ist, bevor Sie es an die Stromversorgung und / oder den Akku anschließen, es aufnehmen oder tragen. Wenn Sie beim Tragen des Elektrowerkzeugs den Finger am Schalter haben oder das Elektrowerkzeug eingeschaltet an die Stromversorgung anschließen, kann dies zu Unfällen führen.
- d) Entfernen Sie Einstellwerkzeuge oder Schraubenschlüssel, bevor Sie das Elektrowerkzeug einschalten. Ein Werkzeug oder Schlüssel, der sich in einem drehenden Teil des Elektrowerkzeugs befindet, kann zu Verletzungen führen.
- e) Vermeiden Sie eine abnormale Körperhaltung. Sorgen Sie für einen sicheren Stand und halten Sie jederzeit das Gleichgewicht. Dadurch können Sie das Elektrowerkzeug in unerwarteten Situationen besser kontrollieren.
- f) Tragen Sie geeignete Kleidung. Tragen Sie keine weite Kleidung oder Schmuck. Halten Sie Haare und Kleidung fern von sich bewegenden Teilen. Lockere Kleidung, Schmuck oder lange Haare können von sich bewegenden Teilen erfasst werden.
- g) Wenn Staubabsaug- und -auffangeinrichtungen montiert werden können, sind diese anzuschließen und richtig zu verwenden. Die Verwendung einer Staubabsaugung kann Gefährdungen durch Staub verringern.

3. Sicherheit von Personen

- a) Seien Sie aufmerksam, achten Sie darauf, was Sie tun, und gehen Sie mit Vernunft an die Arbeit mit einem Elektrowerkzeug. Benutzen Sie kein Elektrowerkzeug, wenn Sie müde sind oder unter dem Einfluss von Drogen, Alkohol oder Medikamenten stehen. Ein Moment der Unachtsamkeit beim Gebrauch des Elektrowerkzeugs kann zu ernsthaften Verletzungen führen.
- b) Tragen Sie persönliche Schutzausrüstung und immer eine Schutzbrille. Das Tragen persönlicher Schutzausrüstung, wie Staubmaske, rutschfeste Sicherheitsschuhe, Schutzhelm oder Gehörschutz, je nach Art und Einsatz des Elektrowerkzeugs, verringert das Risiko von Verletzungen.
- h) Wiegen Sie sich nicht in falscher Sicherheit und setzen Sie sich nicht über die Sicherheitsregeln für Elektrowerkzeuge hinweg, auch wenn Sie nach vielfachem Gebrauch mit dem Elektrowerkzeug vertraut sind. Achtloses Handeln kann binnen Sekundenbruchteilen zu schweren Verletzungen führen.

4. Verwendung und Behandlung des Elektrowerkzeugs

- a) Überlasten Sie das Elektrowerkzeug nicht. Verwenden Sie für Ihre Arbeit das dafür bestimmte Elektrowerkzeug. Mit dem passenden Elektrowerkzeug arbeiten Sie besser und sicherer im angegebenen Leistungsbereich.

- b) **Benutzen Sie kein Elektrowerkzeug, dessen Schalter defekt ist.** Ein Elektrowerkzeug, das sich nicht mehr ein- oder ausschalten lässt, ist gefährlich und muss repariert werden.
- c) **Ziehen Sie den Stecker aus der Steckdose und / oder entfernen Sie den abnehmbaren Akku, bevor Sie Geräteeinstellungen vornehmen, Einsatzwerkzeugteile wechseln oder das Elektrowerkzeug weglegen.** Diese Vorsichtsmaßnahme verhindert den unbeabsichtigten Start des Elektrowerkzeugs.
- d) **Bewahren Sie unbenutzte Elektrowerkzeuge außerhalb der Reichweite von Kindern auf. Lassen Sie keine Personen das Elektrowerkzeug benutzen, die mit diesem nicht vertraut sind oder diese Anweisungen nicht gelesen haben.** Elektrowerkzeuge sind gefährlich, wenn sie von unerfahrenen Personen benutzt werden.
- e) **Pflegen Sie Elektrowerkzeuge und Einsatzwerkzeug mit Sorgfalt. Kontrollieren Sie, ob bewegliche Teile einwandfrei funktionieren und nicht klemmen, ob Teile gebrochen oder so beschädigt sind, dass die Funktion des Elektrowerkzeugs beeinträchtigt ist. Lassen Sie beschädigte Teile vor dem Einsatz des Elektrowerkzeuges reparieren.** Viele Unfälle haben ihre Ursache in schlecht gewarteten Elektrowerkzeugen.
- f) **Halten Sie Schneidwerkzeuge scharf und sauber.** Sorgfältig gepflegte Schneidwerkzeuge mit scharfen Schneidkanten verklemmen sich weniger und sind leichter zu führen.
- g) **Verwenden Sie Elektrowerkzeug, Einsatzwerkzeug, Einsatzwerkzeuge usw. entsprechend diesen Anweisungen. Berücksichtigen Sie dabei die Arbeitsbedingungen und die auszuführende Tätigkeit.** Der Gebrauch von Elektrowerkzeugen für andere als die vorgesehenen Anwendungen kann zu gefährlichen Situationen führen.
- h) **Halten Sie Griffe und Griffflächen trocken, sauber und frei von Öl und Fett.** Rutschige Griffe und Griffflächen erlauben keine sichere Bedienung und Kontrolle des Elektrowerkzeugs in unvorhergesehenen Situationen.

5. Service

- a) **Lassen Sie Ihr Elektrowerkzeug nur von qualifiziertem Fachpersonal und nur mit Original-Ersatzteilen reparieren.** Damit wird sichergestellt, dass die Sicherheit des Elektrowerkzeugs erhalten bleibt.
- b) **Lassen Sie den Austausch des Steckers oder der Anschlussleitung immer vom Hersteller des Elektrowerkzeugs oder seinem Kundendienst ausführen.** Damit wird sichergestellt, dass die Sicherheit des Elektrowerkzeugs erhalten bleibt.

Gerätespezifische Sicherheitshinweise

- **Sichern Sie das Werkstück.** Ein mit Spannvorrichtungen oder Schraubstock festgehaltenes Werkstück ist sicherer gehalten als mit Ihrer Hand.
- **Stützen Sie auf keinen Fall die Hände neben oder vor dem Gerät und der zu bearbeitenden Fläche ab, da bei einem Abrutschen Verletzungsgefahr besteht.**
- **Ziehen Sie bei Gefahr sofort den Netzstecker aus der Steckdose.**
- **Führen Sie das Netzkabel immer nach hinten vom Gerät weg.**
- **BRANDGEFAHR DURCH FUNKENFLUG !**
Wenn Sie Metalle schleifen, entsteht Funkenflug. Achten Sie deshalb unbedingt darauf, dass keine Personen gefährdet werden und sich keine brennbaren Materialien in der Nähe des Arbeitsbereiches befinden.
- **Halten Sie das Elektrowerkzeug an den isolierten Griffflächen, da die Schleiffläche die eigene Anschlussleitung treffen kann.** Das Beschädigen einer spannungsführenden Leitung kann metallene Geräteteile unter Spannung setzen und zu einem elektrischen Schlag führen.

WARNUNG! GIFTIGE DÄMPFE!

- ▶ Die durch die Bearbeitung entstehenden schädlichen / giftigen Stäube stellen eine Gesundheitsgefährdung für die Bedienperson oder in der Nähe befindliche Personen dar.

⚠️ WARNUNG!
GEFÄHRDUNG DURCH STAUB!

- ▶ Schließen Sie bei längerem Bearbeiten von Holz und insbesondere wenn Materialien bearbeitet werden, bei denen gesundheitsgefährdende Stäube entstehen, das Gerät an eine geeignete externe Staubabsaugvorrichtung an. **Tragen Sie Schutzbrille und Staubschutzmaske!**
- Sorgen Sie bei der Bearbeitung von Kunststoffen, Farben, Lacken, etc. für ausreichende Belüftung.
- Tränken Sie Materialien oder zu bearbeitende Flächen nicht mit lösungsmittelhaltigen Flüssigkeiten.
- Bearbeiten Sie keine angefeuchteten Materialien oder feuchte Flächen.
- Vermeiden Sie das Schleifen von bleihaltigen Farben oder anderen gesundheitsschädlichen Materialien.
- Asbesthaltiges Material darf nicht bearbeitet werden. Asbest gilt als krebserregend.
- Vermeiden Sie den Kontakt mit dem laufenden Schleifblatt.
- Verwenden Sie das Gerät nur mit angebrachtem Schleifblatt.
- Verwenden Sie das Gerät niemals zweckentfremdet und nur mit Originalteilen / -zubehör. Der Gebrauch anderer als in der Bedienungsanleitung empfohlener Teile oder anderen Zubehörs kann eine Verletzungsgefahr für Sie bedeuten.
- Lassen Sie das ausgeschaltete Gerät zum Stillstand kommen, bevor Sie es ablegen.
- Das Gerät muss stets sauber, trocken und frei von Öl oder Schmierfetten sein.

Vor der Inbetriebnahme

Schleifplatte montieren/wechseln

⚠️ WARNUNG!

- ▶ Bevor Sie Arbeiten am Gerät durchführen, ziehen Sie immer den Netzstecker aus der Steckdose.
- ◆ Wählen Sie die jeweilige Schleifplatte **9** **11** **13** zu der entsprechenden Anwendung aus.
- ◆ Entfernen Sie die vier Schrauben **12** mit Hilfe des mitgelieferten Keuzschlitzschraubendrehers **16**.
- ◆ Entfernen Sie die vormontierte Schleifplatte.

HINWEIS

- ▶ Die Schwingschleifplatte **9** kann nur in einer Richtung auf dem Gerät montiert werden. Achten Sie hierbei auf die Pfeilmarkierungen auf der Schwingschleifplatte **9**. Diese müssen nach vorne zeigen. Bei der Dreiecksschleifplatte **11** zeigt die Spitze nach vorne.
- ▶ Die Gummistifte **15** weisen eine seitliche Nut auf. Diese muss entsprechend zu den Nasen der Aufnahmebohrungen der jeweiligen Schleifplatte **9** **11** ausgerichtet sein. So können Sie die Gummistifte **15** in die Schleifplatte **9** **11** einsetzen.

- ◆ Montieren Sie jetzt die gewünschte Schleifplatte **B** zu der Schleifplatte ausgerichtet ist. Die Gewindebohrungen der Befestigungsplatte **B** müssen zu den entsprechenden Löchern der jeweiligen Schleifplatte ausgerichtet sein. Die Gummistifte **A** **15** (nur Schleifplatte **9** und **11**) zu den Löchern im Gerät (siehe Abb. 1).

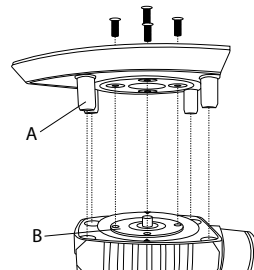


Abbildung 1

- ◆ Schrauben Sie die vier Schrauben **12** wieder mit dem Kreuzschlitzschraubendreher **16** fest.
- ◆ Überprüfen Sie den festen Sitz der Schleifplatte.

Schleifblatt wählen

Abtrag und Oberfläche:

Die Abtragsleistung und die Oberflächengüte werden von der Kornstärke des Schleifblattes bestimmt.

- ◆ Beachten Sie bitte, dass Sie zur Bearbeitung der verschiedenen Materialien entsprechende Schleifblätter mit unterschiedlicher Körnung einsetzen.

Schleifblatt befestigen

⚠️ WARNUNG!

- ▶ Bevor Sie Arbeiten am Gerät durchführen, ziehen Sie immer den Netzstecker aus der Steckdose.

HINWEIS

- ▶ Entfernen Sie vor dem Befestigen eines neuen Schleifblattes Staub und Schmutz von der Schleifplatte **9** **11** **13**.

Schleifblätter mit Kletthaftung anbringen:

- ◆ Sie können das Schleifblatt mittels Klettverschluss an der Schleifplatte **9** **11** **13** anbringen.
- ◆ Achten Sie auf Übereinstimmung der Absauglöcher am Schleifblatt und Schleifplatte.

Schleifblätter mit Kletthaftung abziehen:

- ◆ Ziehen Sie das Schleifblatt einfach von der Schleifplatte **9** **11** **13** ab (siehe Abb. A auf der Ausklappseite).

Schleifblätter ohne Kletthaftung anbringen (siehe Abb. B auf der Ausklappseite nicht im Lieferumfang enthalten):

- ◆ Öffnen Sie die beiden Spannhebel **8**.
- ◆ Schieben Sie das Schleifblatt an einem Ende unter die offene Klemmleiste **10** und klemmen Sie es fest, indem Sie den Spannhebel wieder arretieren.
- ◆ Verfahren Sie mit dem anderen Ende auf die gleiche Weise.

Staubabsaugung

⚠️ WARNUNG! BRANDGEFAHR!

- ▶ Beim Arbeiten mit Elektrowerkzeugen, die über eine Staubfangbox verfügen oder durch eine Staubabsaugvorrichtung mit dem Staubsauger verbunden werden können, besteht Brandgefahr! Unter ungünstigen Bedingungen, wie z. B. bei Funkenflug, beim Schleifen von Metall oder Metallresten in Holz, kann sich Holzstaub im Staubsack (oder im Staubbeutel des Staubsaugers) selbst entzünden. Dies kann insbesondere dann geschehen, wenn der Holzstaub mit Lackresten oder anderen chemischen Stoffen vermischt ist und das Schleifgut nach langem Arbeiten heiß ist. Vermeiden Sie deshalb unbedingt eine Überhitzung des Schleifguts und des Gerätes und entleeren Sie vor Arbeitspausen stets die Staubfangbox bzw. den Staubbeutel des Staubsaugers.

Tragen Sie eine Staubschutzmaske!

HINWEIS

- ▶ Für die Staubabsaugung brauchen Sie gelochte Schleifblätter.

Staubbox zur Eigenabsaugung

Anschließen:

- ◆ Schieben Sie die Staubbox zur Eigenabsaugung **6** bis zum Anschlag auf den Multifunktionsschleifer.

Entnehmen:

- ◆ Ziehen Sie die Staubbox zur Eigenabsaugung **6** nach hinten ab.

HINWEIS

- ▶ Um eine optimale Absaugleistung zu gewährleisten, die Staubbox zur Eigenabsaugung **6** rechtzeitig leeren.

- ◆ Entnehmen Sie dazu die Staubbox zur Eigenabsaugung **6** wie zuvor beschrieben vom Gerät. Öffnen Sie hierzu die Staubbox zur Eigenabsaugung **6**, indem Sie die Entriegelungstaste **7** drücken und den hinteren Teil abziehen. Ziehen Sie nun den Staubbeutel **5** ab. Reinigen Sie den Staubbeutel **5** gründlich durch Ausklopfen.

Reduzierstück

Anschließen:

- ◆ Schieben Sie das Reduzierstück ③ in den Adapteranschluss ②.
- ◆ Schieben Sie den Schlauch einer zulässigen Staubsaugvorrichtung (z. B. eines Werkstattstaubsaugers) auf das Reduzierstück ③.

Entnehmen:

- ◆ Ziehen Sie den Schlauch der Staubsaugvorrichtung vom Reduzierstück ③ ab.
- ◆ Ziehen Sie das Reduzierstück ③ ab.

Inbetriebnahme

⚠ VORSICHT!

- ▶ Stellen Sie sicher, dass das Gerät vor dem Anschließen an die Stromversorgung ausgeschaltet ist.

HINWEIS

- ▶ Schalten Sie den Multifunktionsschleifer immer vor Materialkontakt ein und führen Sie das Gerät erst dann auf das Werkstück.

Ein- und ausschalten

Gerät einschalten:

- ◆ Drücken Sie den EIN- / AUS-Schalter ① in die Position „I“.

Gerät ausschalten:

- ◆ Drücken Sie den EIN- / AUS-Schalter ① in die Position „0“.

Schwingzahl einstellen

Die gewünschte Schwingzahl können Sie mit der Schwingzahlvorwahl ⑭ je nach Bedarf vorwählen. Die erforderliche Schwingzahl ist abhängig vom zu bearbeitenden Material und kann durch praktischen Versuch ermittelt werden.

Arbeitshinweise

- Führen Sie das Gerät eingeschaltet an das Werkstück.
- Arbeiten Sie mit geringem Anpressdruck.
- Arbeiten Sie mit gleichmäßigem Vorschub.
- Wechseln Sie die Schleifblätter rechtzeitig aus.
- Schleifen Sie nie mit dem gleichen Schleifblatt unterschiedliche Materialien (z. B. Holz und anschließend Metall). Nur mit einwandfreien Schleifblättern erreichen Sie gute Schleifleistungen.
- Reinigen Sie hin und wieder das Schleifblatt mit dem Staubsauger.
- Schleifen Sie schwer erreichbare Stellen mit der vorderen oder seitlichen Kante des Schleifblattes an der Schleifplatte.
- Führen Sie den Schleifvorgang parallel und überlappend zu den Schleifbahnen durch.
- Heben Sie das Gerät nach der Bearbeitung vom Werkstück ab und schalten Sie es dann aus.

Wartung und Reinigung

⚠ WARNUNG!

- ▶ Bevor Sie Arbeiten am Gerät durchführen, ziehen Sie immer den Netzstecker aus der Steckdose.

Der Multifunktionsschleifer ist wartungsfrei.

- Reinigen Sie das Gerät, direkt nach Abschluss der Arbeit.
- Verwenden Sie zur Reinigung des Gehäuses ein trockenes Tuch.
- Entfernen Sie anhaftenden Schleifstaub mit einem Pinsel.
- Verwenden Sie keinesfalls scharfe Gegenstände, Benzin, Lösungsmittel oder Reiniger, die Kunststoff angreifen. Vermeiden Sie, dass Flüssigkeiten in das Innere des Gerätes gelangen.
- Halten Sie die Lüftungsöffnungen immer frei.

Garantie der Kompernaß Handels GmbH

Sehr geehrte Kundin, sehr geehrter Kunde,

Sie erhalten auf dieses Gerät 3 Jahre Garantie ab Kaufdatum. Im Falle von Mängeln dieses Produkts stehen Ihnen gegen den Verkäufer des Produkts gesetzliche Rechte zu. Diese gesetzlichen Rechte werden durch unsere im Folgenden dargestellte Garantie nicht eingeschränkt.

Garantiebedingungen

Die Garantiefrist beginnt mit dem Kaufdatum. Bitte bewahren Sie den Kassensbon gut auf. Dieser wird als Nachweis für den Kauf benötigt.

Tritt innerhalb von drei Jahren ab dem Kaufdatum dieses Produkts ein Material- oder Fabrikationsfehler auf, wird das Produkt von uns – nach unserer Wahl – für Sie kostenlos repariert, ersetzt oder der Kaufpreis erstattet. Diese Garantieleistung setzt voraus, dass innerhalb der Dreijahresfrist das defekte Gerät und der Kaufbeleg (Kassensbon) vorgelegt und schriftlich kurz beschrieben wird, worin der Mangel besteht und wann er aufgetreten ist.

Wenn der Defekt von unserer Garantie gedeckt ist, erhalten Sie das reparierte oder ein neues Produkt zurück. Mit Reparatur oder Austausch des Produkts beginnt kein neuer Garantiezeitraum.

Garantiezeit und gesetzliche Mängelansprüche

Die Garantiezeit wird durch die Gewährleistung nicht verlängert. Dies gilt auch für ersetzte und reparierte Teile. Eventuell schon beim Kauf vorhandene Schäden und Mängel müssen sofort nach dem Auspacken gemeldet werden. Nach Ablauf der Garantiezeit anfallende Reparaturen sind kostenpflichtig.

Garantieumfang

Das Gerät wurde nach strengen Qualitätsrichtlinien sorgfältig produziert und vor Auslieferung gewissenhaft geprüft.

Die Garantieleistung gilt für Material- oder Fabrikationsfehler. Diese Garantie erstreckt sich nicht auf Produktteile, die normaler Abnutzung ausgesetzt sind und daher als Verschleißteile angesehen werden können oder für Beschädigungen an zerbrechlichen Teilen, z. B. Schalter oder Teile, die aus Glas gefertigt sind.

Diese Garantie verfällt, wenn das Produkt beschädigt, nicht sachgemäß benutzt oder gewartet wurde. Für eine sachgemäße Benutzung des Produkts sind alle in der Bedienungsanleitung aufgeführten Anweisungen genau einzuhalten. Verwendungszwecke und Handlungen, von denen in der Bedienungsanleitung abgeraten oder vor denen gewarnt wird, sind unbedingt zu vermeiden.

Das Produkt ist nur für den privaten und nicht für den gewerblichen Gebrauch bestimmt. Bei missbräuchlicher und unsachgemäßer Behandlung, Gewaltanwendung und bei Eingriffen, die nicht von unserer autorisierten Serviceniederlassung vorgenommen wurden, erlischt die Garantie.

Garantiezeit gilt nicht bei

- normaler Abnutzung der Akkukapazität
- gewerblichen Gebrauch des Produktes
- Beschädigung oder Veränderung des Produktes durch den Kunden
- Missachtung der Sicherheits- und Wartungsvorschriften, Bedienungsfehler
- Schäden durch Elementarereignisse

Abwicklung im Garantiefall

Um eine schnelle Bearbeitung Ihres Anliegens zu gewährleisten, folgen Sie bitte den folgenden Hinweisen:

- Bitte halten Sie für alle Anfragen den Kassensbon und die Artikelnummer (z. B. IAN 123456_7890) als Nachweis für den Kauf bereit.
- Die Artikelnummer entnehmen Sie bitte dem Typenschild am Produkt, einer Gravur am Produkt, dem Titelblatt der Bedienungsanleitung (unten links) oder dem Aufkleber auf der Rück- oder Unterseite des Produktes.

- Sollten Funktionsfehler oder sonstige Mängel auftreten, kontaktieren Sie zunächst die nachfolgend benannte Serviceabteilung **telefonisch** oder per **E-Mail**.
- Ein als defekt erfasstes Produkt können Sie dann unter Beifügung des Kaufbelegs (Kassenbonn) und der Angabe, worin der Mangel besteht und wann er aufgetreten ist, für Sie portofrei an die Ihnen mitgeteilte Serviceanschrift übersenden.



Auf www.lidl-service.com können Sie diese und viele weitere Handbücher, Produktvideos und Installationssoftware herunterladen.

Mit diesem QR-Code gelangen Sie direkt auf die Lidl-Service-Seite (www.lidl-service.com) und können mittels der Eingabe der Artikelnummer (IAN) 345815_2001 Ihre Bedienungsanleitung öffnen.

Service

⚠️ WARNUNG!

- ▶ Lassen Sie Ihre Geräte von der Servicestelle oder einer Elektrofachkraft und nur mit Original-Ersatzteilen reparieren. Damit wird sichergestellt, dass die Sicherheit des Gerätes erhalten bleibt.
- ▶ Lassen Sie den Austausch des Steckers oder der Netzleitung immer vom Hersteller des Gerätes oder seinem Kundendienst ausführen. Damit wird sichergestellt, dass die Sicherheit des Gerätes erhalten bleibt.

DE Service Deutschland

Tel.: 0800 5435 111 (kostenfrei aus dem dt. Festnetz/Mobilfunknetz)
E-Mail: kompennass@lidl.de

AT Service Österreich

Tel.: 0820 201 222 (0,15 EUR/Min.)
E-Mail: kompennass@lidl.at

CH Service Schweiz

Tel.: 0842 665566 (0,08 CHF/Min., Mobilfunk max. 0,40 CHF/Min.)
E-Mail: kompennass@lidl.ch

IAN 345815_2001

Importeur

Bitte beachten Sie, dass die folgende Anschrift keine Serviceanschrift ist. Kontaktieren Sie zunächst die benannte Servicestelle.

KOMPERNASS HANDELS GMBH
BURGSTRASSE 21
44867 BOCHUM
DEUTSCHLAND
www.kompennass.com

Entsorgung



Die Verpackung besteht aus umweltfreundlichen Materialien, die Sie über die örtlichen Recyclingstellen entsorgen können.



Werfen Sie Elektrowerkzeuge nicht in den Hausmüll!

Gemäß Europäischer Richtlinie 2012/19/EU müssen verbrauchte Elektrowerkzeuge getrennt gesammelt und einer umweltgerechten Wiederverwertung zugeführt werden.

Möglichkeiten zur Entsorgung des ausgedienten Gerätes erfahren Sie bei Ihrer Gemeinde- oder Stadtverwaltung.



Entsorgen Sie die Verpackung umweltgerecht.

Beachten Sie die Kennzeichnung auf den verschiedenen Verpackungsmaterialien und trennen Sie diese gegebenenfalls gesondert. Die Verpackungsmaterialien sind gekennzeichnet mit Abkürzungen (a) und Ziffern (b) mit folgender Bedeutung:

1–7: Kunststoffe,
20–22: Papier und Pappe,
80–98: Verbundstoffe



Möglichkeiten zur Entsorgung des ausgedienten Produkts erfahren Sie bei Ihrer Gemeinde- oder Stadtverwaltung.

Original-Konformitätserklärung

Wir, KOMPERNASS HANDELS GMBH, Dokumentenverantwortlicher: Herr Semi Uguzlu, BURGSTR. 21, 44867 BOCHUM, DEUTSCHLAND, erklären hiermit, dass dieses Produkt mit den folgenden Normen, normativen Dokumenten und EG-Richtlinien übereinstimmt:

Maschinenrichtlinie
(2006 / 42 / EG)

Elektromagnetische Verträglichkeit
(2014 / 30 / EU)

RoHS Richtlinie
(2011 / 65 / EU)*

*Die alleinige Verantwortung für die Ausstellung dieser Konformitätserklärung trägt der Hersteller.

Der oben beschriebene Gegenstand der Erklärung erfüllt die Vorschriften der Richtlinie 2011/65/EU des Europäischen Parlaments und des Rates vom 8. Juni 2011 zur Beschränkung der Verwendung bestimmter gefährlicher Stoffe in Elektro- und Elektronikgeräten.

Angewandte harmonisierte Normen:

EN 62841-1:2015

EN 62841-2-4:2014

EN 55014-1:2017

EN 55014-2:2015

EN 61000-3-2:2014

EN 61000-3-3:2013

EN 50581:2012

Typ / Gerätebezeichnung: 3-in-1 Multifunktionsschleifer PMFS 200 C3

Herstellungsjahr: 06-2020

Seriennummer: IAN 345815_2001

Bochum, 03.08.2020




Semi Uguzlu

- Qualitätsmanager -

Technische Änderungen im Sinne der Weiterentwicklung sind vorbehalten.

KOMPERNASS HANDELS GMBH

BURGSTRASSE 21

44867 BOCHUM

GERMANY

www.kompernass.com

Last Information Update - Stand der Informationen:

07 / 2020 Ident.-No.: PMFS200C3-072020-1

IAN 345815_2001