

SILVERCREST®



www.lidl-service.com



ROTARY SHAVER SRR 3.7 B2

GB IE NI

ROTARY SHAVER

Operating instructions

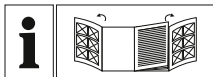
DE AT CH

ROTATIONSRASIERER

Bedienungsanleitung

IAN 285256

GB IE NI



GB IE NI

Before reading, unfold the page containing the illustrations and familiarise yourself with all functions of the device.

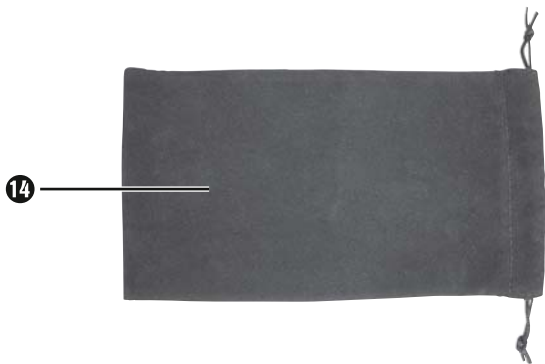
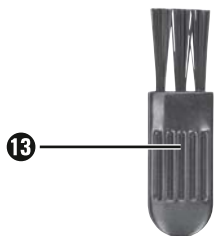
DE AT CH

Klappen Sie vor dem Lesen die Seite mit den Abbildungen aus und machen Sie sich anschließend mit allen Funktionen des Gerätes vertraut.

GB/IE/NI	Operating instructions	Page	1
DE/AT/CH	Bedienungsanleitung	Seite	23

A

B



Contents

Introduction	2
Intended use	2
Package contents	2
Description of the appliance	3
Technical data	4
Safety guidelines	5
Charging the battery	9
Cordless shaving	10
Shaving with mains voltage	11
Trimmer/long hair trimmer	11
Cleaning and care	12
Cleaning with the brush	12
Cleaning under running water	13
Thorough cleaning	14
Storage	16
Disposal	17
Kompernass Handels GmbH warranty	18
Service	21
Importer	21
Ordering spare parts	22

Introduction

Congratulations on the purchase of your new appliance.

You have selected a high-quality product. The operating instructions are part of this product. They contain important information on safety, usage and disposal. Before using the product, familiarise yourself with all handling and safety guidelines. Use the product only as described and for the range of applications specified. Please also pass these operating instructions on to any future owner(s).

Intended use

This appliance is intended exclusively for shaving and trimming human hair.

This appliance is intended solely for use in private households.

Do not use it for commercial applications.

All other uses are deemed to be improper and may result in property damage or even in personal injury.

Package contents

- ◆ Shaver with cutting unit
- ◆ Power cable
- ◆ Protective cap
- ◆ Brush
- ◆ Case
- ◆ Operating instructions

NOTE

Check contents for completeness and damage immediately after unpacking. Contact Customer Services if necessary.

Description of the appliance

Figure A (front fold-out page):

- 1 Protective cap
- 2 Cutting unit
- 3 Long hair trimmer
- 4 Release button, cutting unit
- 5 Catch for the long hair trimmer
- 6 On/Off switch
- 7 On/Off switch lock
- 8 Green power light
- 9 Red charge indicator light
- 10 Mains connection

Figure B (rear fold-out page):

- 11 Power plug
- 12 Connector
- 13 Brush
- 14 Case

Technical data

Device

Operating voltage: 220 V – 240 V ~, 50 Hz

Power consumption: max. 8 W

Battery: 3.7 V/700 mAh Li-ion battery

Protection class: II/□

Charging time: approx. 60 minutes

Operating time with
fully charged battery: approx. 60 minutes

Safety guidelines

DANGER – RISK OF ELECTRIC SHOCK!

- ▶ Prior to use, check the appliance for visible external damage. Never operate an appliance that is damaged. There is a risk of electrocution.
- ▶ The appliance may no longer be used if there is any damage to the cable, the housing or any other components.
- ▶ Disconnect the power cable from the wall socket
 - if a defect occurs,
 - before cleaning the appliance,
 - after every use.

Pull directly on the power plug and not on the cable.

- ▶ Never submerge the appliance or the cable in water or other liquids.



Do not use this appliance near bath tubs, showers or other containers filled with water.

DANGER – RISK OF ELECTRIC SHOCK!

- ▶ If the appliance drops into water, pull the plug out of the power socket before you reach into the water!
- ▶ Never touch the power plug with wet hands, especially when plugging it in or unplugging it. Risk of electrocution!
- ▶ Check the power cable and appliance regularly for possible mechanical defects.
- ▶ Ensure that the power cable does not get jammed in cupboard doors and that it is never laid on hot surfaces. If this occurs, the cable insulation may be damaged.
- ▶ The installation of a residual current circuit breaker with a rated tripping current of no more than 30 mA offers further protection from electric shocks. Have the installation carried out only by a qualified electrician.
- ▶ **CAUTION!** Keep the appliance dry.

⚠ WARNING – RISK OF INJURY!

- ▶ This appliance may be used by children aged 8 years and above and by persons with limited physical, sensory or mental capabilities or lack of experience and knowledge, provided that they are under supervision or have been told how to use the appliance safely and are aware of the potential risks.
- ▶ Children must not use the appliance as a plaything.
- ▶ Cleaning and user maintenance tasks may not be carried out by children unless they are supervised.
- ▶ All repairs must be carried out by authorised specialist companies or by the Customer Service department. Improper repairs can pose significant risks to the user. It will also invalidate any warranty claims.
- ▶ Do not use the appliance with a defective cutting unit or long hair trimmer because these may have sharp edges. There is a risk of personal injury!

WARNING – RISK OF INJURY!

- ▶ Defective components must always be replaced with original replacement parts. Compliance with safety requirements can only be guaranteed if original replacement parts are used.
- ▶ Only plug the power plug into an easily accessible power socket so that you can pull it out of the power socket quickly in an emergency.

CAUTION – PROPERTY DAMAGE!

- ▶ Never operate the appliance unsupervised, and only in accordance with the information on the nameplate.
- ▶ Use only the supplied power cable provided when using mains power.
- ▶ Remove the cutting unit from the handset for cleaning under running water.

Charging the battery

The battery should be charged for at least 60 minutes before first use.

NOTE

- ▶ Ensure that the appliance is switched off before charging the battery.

- 1) Plug the connector **12** into the mains connection **10** on the shaver.
 - 2) Plug the power plug **11** into a socket that is compatible with the appliance specifications. While the battery is charging, the red charge indicator light **9** lights up.
- ◆ As soon as the battery is fully charged, the green power light **8** flashes. Disconnect the appliance from the mains voltage. The green power light **8** switches off.
 - ◆ Once the battery is fully charged, you can use the appliance for around 60 minutes without connecting it to the power supply.
 - ◆ If the red indicator light **9** flashes, the battery charge level is too low. Recharge the battery in that case.

Cordless shaving

CAUTION! MATERIAL DAMAGE!

- ▶ This appliance is not suitable for wet shaving!

This shaver can be used without the power cable. In this case, you must charge the appliance before first use (see section "Charging the battery").

- 1) Ensure the cutting unit **2** is attached and locked in place.
- 2) Remove the protective cap **1**.
- 3) Press the switch lock **7** and push the on/off switch **6** towards the cutting unit **2**. The green power light **8** lights up and the shaver starts.

NOTE

- ▶ The best results are achieved if used on dry skin.
 - ▶ It can take 2 to 3 weeks until the skin is accustomed to the dry shaving system.
- 4) Move the shaving heads with straight and circular motions over the skin.
 - 5) After you covered all the areas you want to shave, set the on/off switch **6** back into its initial position. The appliance stops and the green power light **8** switches off.
 - 6) Clean the shaver after every use with the supplied brush **13**. For a more thorough cleaning, read the section "Cleaning and care".

Shaving with mains voltage

CAUTION! MATERIAL DAMAGE!

- ▶ This appliance is not suitable for wet shaving!

If you want to use the shaver without previously charging it, you can also use it directly with mains voltage:

- 1) Plug the connector **12** into the mains connection **10** on the shaver.
- 2) Plug the power plug **11** into a mains socket that complies with the appliance specifications.

You can then use the shaver as described in the section "Cordless shaving".

Trimmer/long hair trimmer

To shape your beard, form sideburns or shave eyebrows, use the long hair trimmer **3**.

- 1) To do this, push the catch **5** of the long hair trimmer **3** away from it. The long hair trimmer **3** flips out.
- 2) Press the switch lock **7** and push the on/off switch **6** towards the cutting unit **2**. The green power light **8** lights up and the shaver starts the cutting unit **2** and the long hair trimmer **3**.
- 3) After you finish trimming, press the on/off switch **6** back to its initial position.
- 4) Clean the long hair trimmer **3** with the supplied brush **13**. For a more thorough cleaning, read the section "Cleaning and care".

Cleaning and care

DANGER – ELECTRIC SHOCK!

- ▶ Before cleaning the device, disconnect the power plug **11** from the mains power socket! There is a risk of electric shock!

CAUTION! MATERIAL DAMAGE!

- ▶ Do not use abrasive, chemical or caustic cleaning agents to clean this appliance. This will irreparably damage the appliance.

Cleaning with the brush

Cutting unit

Clean the 3 shaving heads of the cutting unit **2** after every shave using the brush **13**.

- 1) Press the release button **4** so that the cutting unit **2** pops open/can be folded back.
- 2) Tap the cutting unit **2** on a flat surface or blow off the hair cuttings.
- 3) Use the brush **13** to remove any remaining hair cuttings.

Long hair trimmer

- Clean the long hair trimmer **3** after every use with the supplied brush **13**.
- Oil the long hair trimmer **3** around every 6 months with a drop of sewing machine oil.

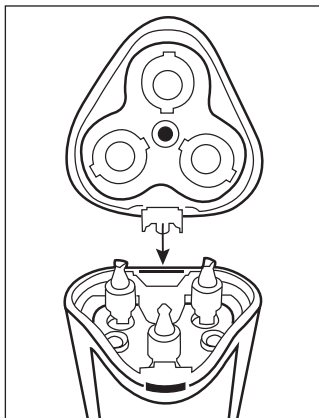
Cleaning under running water

- 1) Press the release button ④ so that the cutting unit ② pops open.
- 2) Overstretch the cutting unit ② a little so it can be pulled upwards and off.
- 3) Hold the cutting unit ② under the running water so that the water flows through the shaving heads from the inside to the outside.

CAUTION! MATERIAL DAMAGE!

Hold only the cutting unit ② under running water! The shaver handset can be damaged irreparably if it is held under running water.

- 4) Allow the cutting unit ② to dry.
- 5) Replace the cutting unit ② on the shaver. Ensure that it snaps into place and is seated firmly:



Thorough cleaning

For a more thorough cleaning, remove the shaving heads:

- 1) Press the release button **4**. The cutting unit **2** pops up.
- 2) Overstretch the cutting unit **2** a little so it can be pulled upwards and off.
- 3) Press the black gear wheel down slightly and turn it carefully anticlockwise until the shaving head holder can be lifted out (see Figure 1).

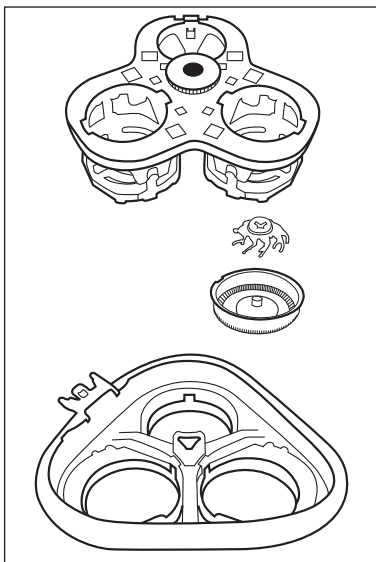


Figure 1

- 4) Clean all parts under running water and then allow them to dry fully.

- 5) Replace the cutting unit ②. Refer to figure 1 for assistance:
- Insert the 3 shaving heads in the recesses of the cutting unit ②. Ensure that the notches on the edge of the shaving heads rest on the catches in the opening.
 - Place the round blades into the shaving heads.
 - Replace the shaving head holder, press it down a little and slightly turn the gear wheel clockwise.

NOTE

If the holder for the shaving heads cannot be reattached, it may be that the gear wheel is a little skew. In this case, turn the gear wheel anticlockwise again up to the stop. The holder for the shaving heads can then be fitted.

The cutting unit ② is now installed again.

- 6) Remove loose hairs from the shaver with the brush ⑬.
- 7) Replace the cutting unit ② on the shaver. Ensure that it snaps into place and is seated firmly.
- Clean the housing with a moist cloth.

NOTE

If...

- ... the shaving result is noticeably poorer, ...
- ... you have to shave the same spot repeatedly to achieve a good result, ...
- ... the shave takes much longer than usual, ...
- ... there is visible damage to the shaving heads, ...

... the shaving heads/the cutting unit **2** must be replaced.

You can order the cutting unit **2**, incl. shaving heads from our customer service (see section "Ordering spare parts").

To replace the cutting unit **2** proceed as follows:

- 1) Press the release button **4** so that the cutting unit **2** pops open.
- 2) Overstretch the cutting unit **2** a little so it can be pulled upwards and off.
- 3) Fit the new cutting unit **2** onto the shaver. Ensure that it snaps into place and is seated firmly.

Storage

CAUTION! MATERIAL DAMAGE!

Never store the shaver in the case **14** while the appliance is charging. Risk of overheating!

- Always replace the protective cap **1** onto the cutting unit **2** when you are not using the appliance. Ensure that the corner with the long plastic sleeve lies above the release button **4**. Otherwise, the protective cap **1** cannot be fitted.

- Store the cleaned and dried appliance and its accessories in the supplied case 14.
- Store the everything in a clean, dust-free and dry place.

Disposal



Never dispose of the device in the normal domestic waste. This product is subject to the provisions of European Directive 2012/19/EU.

Dispose of the device via an approved waste disposal company or your municipal waste disposal facility. Please observe applicable regulations. Please contact your waste disposal facility if you are in any doubt.

NOTE

- ▶ The integrated rechargeable battery in this appliance cannot be removed for disposal.
When disposing of the appliance, indicate that the appliance contains batteries.



The packaging is made of environmentally friendly materials which you can dispose of at your local recycling centre.

Kompernass Handels GmbH warranty

Dear Customer,

This appliance has a 3-year warranty valid from the date of purchase. If this product has any faults, you, the buyer, have certain statutory rights. Your statutory rights are not restricted in any way by the warranty described below.

Warranty conditions

The validity period of the warranty starts from the date of purchase. Please keep your original receipt in a safe place. This document will be required as proof of purchase.

If any material or production fault occurs within three years of the date of purchase of the product, we will either repair or replace the product for you at our discretion. This warranty service is dependent on you presenting the defective appliance and the proof of purchase (receipt) and a short written description of the fault and its time of occurrence.

If the defect is covered by the warranty, your product will either be repaired or replaced by us. The repair or replacement of a product does not signify the beginning of a new warranty period.

Warranty period and statutory claims for defects

The warranty period is not prolonged by repairs effected under the warranty. This also applies to replaced and repaired components. Any damage and defects present at the time of purchase must be reported immediately after unpacking. Repairs carried out after expiry of the warranty period shall be subject to a fee.

Scope of the warranty

This appliance has been manufactured in accordance with strict quality guidelines and inspected meticulously prior to delivery.

The warranty covers material faults or production faults. The warranty does not extend to product parts subject to normal wear and tear or fragile parts such as switches, batteries, baking moulds or parts made of glass.

The warranty does not apply if the product has been damaged, improperly used or improperly maintained. The directions in the operating instructions for the product regarding proper use of the product are to be strictly followed. Uses and actions that are discouraged in the operating instructions or which are warned against must be avoided.

This product is intended solely for private use and not for commercial purposes. The warranty shall be deemed void in cases of misuse or improper handling, use of force and modifications / repairs which have not been carried out by one of our authorised Service centres.

Warranty claim procedure

To ensure quick processing of your case, please observe the following instructions:

- Please have the till receipt and the item number (e.g. IAN 12345) available as proof of purchase.
- You will find the item number on the type plate, an engraving on the front page of the instructions (bottom left), or as a sticker on the rear or bottom of the appliance.
- If functional or other defects occur, please contact the service department listed either by **telephone** or by **e-mail**.
- You can return a defective product to us free of charge to the service address that will be provided to you. Ensure that you enclose the proof of purchase (till receipt) and information about what the defect is and when it occurred.



You can download these instructions along with many other manuals, product videos and software on www.lidl-service.com.

Service

GB Service Great Britain

Tel.: 0871 5000 720 (£ 0.10/Min.)

E-Mail: kompernass@lidl.co.uk

IE Service Ireland

Tel.: 1890 930 034

(0,08 EUR/Min., (peak))

(0,06 EUR/Min., (off peak))

E-Mail: kompernass@lidl.ie

IAN 285256

Importer

Please note that the following address is not the service address.

Please use the service address provided in the operating instructions.

KOMPERNASS HANDELS GMBH

BURGSTRASSE 21

DE-44867 BOCHUM

GERMANY

www.kompernass.com

Ordering spare parts

You can order the following spare parts for the product SRR 3.7 B2:



- ▶ Cutting unit incl. shaving heads (colour: silver)



- ▶ Cutting unit incl. shaving heads (colour: anthracite)

Order the spare parts via the Service Hotline (see section „Service“) or simply visit our website at www.kompernass.com.



NOTE

- ▶ Have the IAN number of the appliance ready (can be found on the cover of these operating instructions) when you place your order.

Inhaltsverzeichnis

Einleitung	24
Bestimmungsgemäßer Gebrauch	24
Lieferumfang	24
Gerätebeschreibung	25
Technische Daten	26
Sicherheitshinweise	27
Aufladen des Akkus	31
Kabelloses Rasieren	32
Rasieren mit Netzspannung	33
Trimmer/Langhaarschneider	33
Reinigung und Pflege	34
Reinigung mit dem Pinsel	34
Reinigung unter fließendem Wasser	35
Gründliche Reinigung	36
Aufbewahrung	38
Entsorgung	39
Garantie der Kompernaß Handels GmbH	40
Service	43
Importeur	43
Ersatzteile bestellen	44

Einleitung

Herzlichen Glückwunsch zum Kauf Ihres neuen Gerätes.

Sie haben sich damit für ein hochwertiges Produkt entschieden. Die Bedienungsanleitung ist Bestandteil dieses Produkts. Sie enthält wichtige Hinweise für Sicherheit, Gebrauch und Entsorgung. Machen Sie sich vor der Benutzung des Produkts mit allen Bedien- und Sicherheitshinweisen vertraut. Benutzen Sie das Produkt nur wie beschrieben und für die angegebenen Einsatzbereiche. Händigen Sie alle Unterlagen bei Weitergabe des Produkts an Dritte mit aus.

Bestimmungsgemäßer Gebrauch

Dieses Gerät ist ausschließlich zum Rasieren und Schneiden von menschlichen Haaren vorgesehen.

Dieses Gerät ist ausschließlich für die Benutzung in privaten Haushalten bestimmt. Nutzen Sie es nicht gewerblich.

Jede andere Verwendung gilt als nicht bestimmungsgemäß und kann zu Sachschäden oder sogar zu Personenschäden führen.

Lieferumfang

- ◆ Rasierer mit Schereinheit
- ◆ Netzkabel
- ◆ Schutzkappe
- ◆ Pinsel
- ◆ Tasche
- ◆ Bedienungsanleitung

HINWEIS

Kontrollieren Sie den Lieferumfang direkt nach dem Auspacken auf Vollständigkeit und Beschädigungen. Wenden Sie sich, wenn nötig, an den Service.

Gerätebeschreibung

Abbildung A (vordere Ausklappseite):

- ❶ Schutzkappe
- ❷ Schereinheit
- ❸ Langhaarschneider
- ❹ Entriegelungstaste Schereinheit
- ❺ Arretierung des Langhaarschneiders
- ❻ Ein-/Aus-Schalter
- ❼ Verriegelung Ein-/Aus-Schalter
- ❽ Grüne Betriebsanzeige
- ❾ Rote Ladekontrollleuchte
- ❿ Netzanschluss

Abbildung B (hintere Ausklappseite):

- ⓫ Netzstecker
- ⓬ Verbindungsstecker
- ⓭ Pinsel
- ⓮ Tasche


Technische Daten

Gerät

Betriebsspannung: 220 V – 240 V ~, 50 Hz

Leistungsaufnahme: max. 8 W

Akku: Li-Ion Akku 3,7 V, 700 mAh

Schutzklasse: II / 

Ladezeit: ca. 60 Minuten

Laufzeit bei voll
geladenem Akku: ca. 60 Minuten

Sicherheitshinweise

GEFAHR – ELEKTRISCHER SCHLAG!

- ▶ Kontrollieren Sie das Gerät vor der Verwendung auf äußerliche, sichtbare Schäden. Nehmen Sie ein beschädigtes Gerät nicht in Betrieb. Es besteht Stromschlaggefahr.
- ▶ Sollte ein Schaden am Netzkabel, am Gehäuse oder an anderen Teilen festgestellt werden, darf das Gerät nicht weiter benutzt werden.
- ▶ Ziehen Sie das Netzkabel aus der Steckdose
 - wenn eine Störung auftritt,
 - bevor Sie das Gerät reinigen,
 - nach jedem Gebrauch.

Ziehen Sie dabei direkt am Netzstecker und nicht am Kabel.

- ▶ Tauchen Sie das Gerät sowie das Kabel niemals in Wasser oder eine andere Flüssigkeit.



Dieses Gerät nicht in der Nähe von Badewannen, Duschwannen oder anderen Gefäßen benutzen, die Wasser enthalten.

GEFAHR – ELEKTRISCHER SCHLAG!

- ▶ Falls das Gerät ins Wasser gefallen ist, ziehen Sie unbedingt zuerst den Netzstecker aus der Steckdose, bevor Sie ins Wasser greifen.
- ▶ Fassen Sie den Netzstecker niemals mit nassen Händen an, besonders wenn Sie ihn in die Steckdose stecken bzw. aus dieser herausziehen. Es besteht Stromschlaggefahr!
- ▶ Prüfen Sie das Netzkabel und das Gerät regelmäßig auf eventuelle mechanische Defekte.
- ▶ Achten Sie darauf, dass das Netzkabel nicht in Schranktüren eingeklemmt oder über heiße Flächen gezogen wird. Es könnte sonst die Isolierung des Kabels beschädigt werden.
- ▶ Der Einbau einer Fehlerstromschutzeinrichtung mit einem Bemessungsauslösestrom von nicht mehr als 30 mA bietet weiteren Schutz vor einem elektrischen Schlag. Lassen Sie den Einbau ausschließlich von einer Elektro-Fachkraft durchführen.
- ▶ **ACHTUNG!** Das Gerät trocken halten!

⚠️ WARNUNG – VERLETZUNGSGEFAHR!

- ▶ Dieses Gerät kann von Kindern ab 8 Jahren und darüber sowie von Personen mit verringerten physischen, sensorischen oder mentalen Fähigkeiten oder Mangel an Erfahrung und Wissen benutzt werden, wenn sie beaufsichtigt oder bezüglich des sicheren Gebrauchs des Gerätes unterwiesen wurden und die daraus resultierenden Gefahren verstehen.
- ▶ Kinder dürfen nicht mit dem Gerät spielen.
- ▶ Reinigung und Benutzer-Wartung dürfen nicht von Kindern ohne Beaufsichtigung durchgeführt werden.
- ▶ Lassen Sie Reparaturen am Gerät nur von autorisierten Fachbetrieben oder dem Kundenservice durchführen. Durch unsachgemäße Reparaturen können erhebliche Gefahren für den Benutzer entstehen. Zudem erlischt der Garantieanspruch.

WARNUNG – VERLETZUNGSGEFAHR!

- ▶ Benutzen Sie das Gerät nicht mit defekter Schereinheit oder defektem Langhaarschneider, da diese scharfe Kanten haben können. Es besteht Verletzungsgefahr!
- ▶ Defekte Bauteile dürfen nur gegen Original-Ersatzteile ausgetauscht werden. Nur bei diesen Teilen ist gewährleistet, dass sie die Sicherheitsanforderungen erfüllen werden.
- ▶ Schließen Sie das Netzkabel nur an eine gut erreichbare Steckdose an, damit im Störfall der Netzstecker schnell aus der Steckdose gezogen werden kann.

ACHTUNG – SACHSCHADEN!

- ▶ Betreiben Sie das Gerät nie unbeaufsichtigt und nur gemäß den Angaben auf dem Typenschild.
- ▶ Verwenden Sie für den Netzbetrieb nur das mitgelieferte Netzkabel.
- ▶ Nehmen Sie die Schereinheit zur Reinigung unter fließendem Wasser vom Handteil ab.

Aufladen des Akkus

Vor der ersten Anwendung sollte der Akku mindestens 60 Minuten aufgeladen werden.

HINWEIS

- ▶ Stellen Sie sicher, dass das Gerät ausgeschaltet ist, bevor Sie den Akku aufladen.
- 1) Stecken Sie den Verbindungsstecker **12** in den Netzanschluss **10** am Rasierapparat.
- 2) Stecken Sie den Netzstecker **11** in eine zu den Gerätevorgaben passende Steckdose. Während des Ladens leuchtet die rote Ladekontrollleuchte **9**.
- ◆ Sobald der Akku voll geladen ist, blinkt die grüne Betriebsanzeige **8**. Trennen Sie das Gerät dann von der Netzspannung. Die grüne Betriebsanzeige **8** erlischt.
- ◆ Mit voll geladenem Akku können Sie das Gerät bis zu ca. 60 Minuten ohne Anschluss an das Stromnetz betreiben.
- ◆ Wenn die rote Ladekontrollleuchte **9** blinkt, ist der Batterieladezustand zu niedrig. Laden Sie dann den Akku wieder auf.

Kabelloses Rasieren

ACHTUNG! SACHSCHADEN!

- ▶ Dieses Gerät ist nicht zur Nassrasur geeignet!

Sie können den Rasierer kabellos verwenden. In diesem Fall müssen Sie das Gerät vor dem ersten Gebrauch aufladen (siehe Kapitel „Aufladen des Akkus“).

- 1) Stellen Sie Sicher, dass die Schereinheit **2** aufgesetzt und an ihrer Verriegelung eingerastet ist.
- 2) Nehmen Sie ggf. die Schutzkappe **1** ab.
- 3) Drücken Sie auf die Verriegelung **7** und schieben Sie den Ein-/Aus-Schalter **6** in Richtung Schereinheit **2**. Die grüne Betriebsanzeige **8** leuchtet und der Rasierer startet.

HINWEIS

- ▶ Die besten Ergebnisse erzielen Sie bei trockener Haut.
 - ▶ Es kann 2 bis 3 Wochen dauern, bis sich die Haut an das Schersystem gewöhnt hat.
- 4) Führen Sie die Scherköpfe mit geraden und kreisenden Bewegungen über die Haut.
 - 5) Wenn Sie alle zu rasierenden Stellen behandelt haben, schieben Sie den Ein-/Aus-Schalter **6** in seine Ausgangsposition zurück. Das Gerät stoppt und die grüne Betriebsanzeige **8** erlischt.
 - 6) Reinigen Sie den Rasierer nach jeder Rasur mit dem mitgelieferten Pinsel **13**. Für eine gründliche Reinigung lesen Sie das Kapitel „Reinigung und Pflege“.

Rasieren mit Netzspannung

ACHTUNG! SACHSCHADEN!

- ▶ Dieses Gerät ist nicht zur Nassrasur geeignet!

Wenn Sie den Rasierer benutzen wollen, ohne ihn vorher zu laden, können Sie den Rasierer auch direkt mit Netzspannung verwenden:

- 1) Stecken Sie den Verbindungsstecker **12** in den Netzanschluss **10** am Rasierapparat.
- 2) Stecken Sie den Netzstecker **11** in eine zu den Gerätevorgaben passende Steckdose.

Sie können den Rasierer dann wie im Kapitel „Kabelloses Rasieren“ beschrieben verwenden.

Trimmer/Langhaarschneider

Um einen Bart in Form zu bringen, Koteletten zu formen oder Augenbrauen zu rasieren, benutzen Sie den Langhaarschneider **3**.

- 1) Schieben Sie dazu die Arretierung **5** des Langhaarschneiders **3** von diesem weg. Der Langhaarschneider **3** klappt heraus.
- 2) Drücken Sie auf die Verriegelung **7** und schieben Sie den Ein-/Aus-Schalter **6** in Richtung Schereinheit **2**. Die grüne Betriebsanzeige **8** leuchtet und der Rasierer startet die Schereinheit **2** und den Langhaarschneider **3**.
- 3) Wenn Sie mit dem Trimmen fertig sind, schieben Sie den Ein-/Aus-Schalter **6** in seine Ausgangsposition zurück.
- 4) Reinigen Sie den Langhaarschneider **3** mit dem mitgelieferten Pinsel **13**. Für eine gründliche Reinigung lesen Sie das Kapitel „Reinigung und Pflege“.

Reinigung und Pflege

GEFAHR - ELEKTRISCHER SCHLAG!

- ▶ Ziehen Sie vor jeder Reinigung den Netzstecker **11** aus der Netzsteckdose! Es besteht die Gefahr eines elektrischen Schlages!

ACHTUNG! SACHSCHADEN!

- ▶ Benutzen Sie keine scheuernden, chemischen oder ätzenden Reinigungsmittel um das Gerät zu reinigen. Das führt zu irreparablen Schäden am Gerät.

Reinigung mit dem Pinsel

Schereinheit

Reinigen Sie nach jeder Rasur die 3 Scherköpfe an der Schereinheit **2** mit dem Pinsel **13**.

- 1) Drücken Sie auf die Entriegelungstaste **4**, so dass die Schereinheit **2** aufspringt bzw. aufgeklappt werden kann.
- 2) Klopfen Sie die Schereinheit **2** vorsichtig auf einer ebenen Fläche aus bzw. blasen Sie die Haarteilchen ab.
- 3) Benutzen Sie den Pinsel **13**, um verbliebene Haarteilchen zu entfernen.

Langhaarschneider

- Reinigen Sie den Langhaarschneider **3** nach jeder Rasur mit dem Pinsel **13**.
- Ölen Sie den Langhaarschneider **3** ca. alle 6 Monate mit einem Tropfen Nähmaschinenöl.

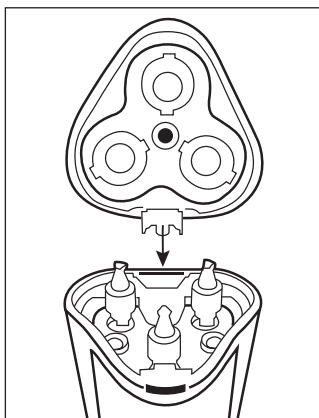
Reinigung unter fließendem Wasser

- 1) Drücken Sie auf die Entriegelungstaste **4**, so dass die Schereinheit **2** aufspringt.
- 2) Überstrecken Sie die Schereinheit **2** ein wenig, so dass diese sich nach oben herausziehen lässt.
- 3) Halten Sie die Schereinheit **2** so unter den Wasserstrahl, dass das Wasser von innen nach außen durch die Scherköpfe fließt.

ACHTUNG! SACHSCHADEN!

Halten Sie nur die Schereinheit **2** unter fließendes Wasser!
Das Handteil des Rasierers kann irreparabel beschädigt werden, wenn es unter fließendes Wasser gehalten wird.

- 4) Lassen Sie die Schereinheit **2** trocknen.
- 5) Setzen Sie die Schereinheit **2** wieder auf den Rasierer. Achten Sie darauf, dass diese einrastet und fest sitzt:



Gründliche Reinigung

Für die gründliche Reinigung, nehmen Sie die Scherköpfe ab:

- 1) Drücken Sie auf die Entriegelungstaste **4**. Die Schereinheit **2** springt auf.
- 2) Überstrecken Sie die Schereinheit **2** ein wenig, so dass diese sich nach oben herausziehen lässt.
- 3) Drücken Sie den schwarzen Zahnkranz etwas herunter und drehen Sie ihn vorsichtig gegen den Uhrzeigersinn, bis sich die Halterung der Scherköpfe abheben lässt (siehe Abbildung 1).

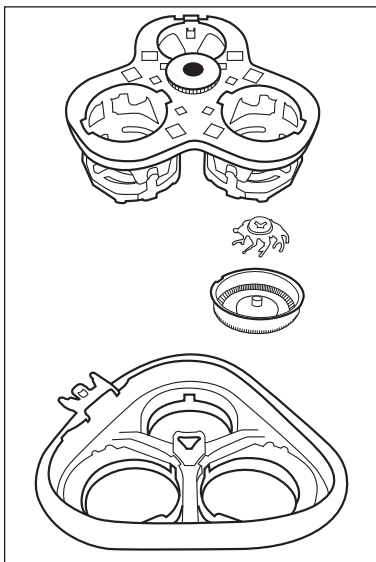


Abbildung 1

- 4) Reinigen Sie alle Teile unter fließendem Wasser und lassen Sie sie vollständig trocknen.

- 5) Bauen Sie die Schereinheit **2** wieder zusammen. Nehmen Sie dafür die Abbildung 1 zur Hilfe:
- Legen Sie die 3 Scherköpfe in die Aussparungen der Schereinheit **2**. Achten Sie dabei darauf, dass die Einkerbungen am Rand der Scherköpfe an den Arretierungen in der Öffnung liegen.
 - Legen Sie die runden Messer in die Scherköpfe.
 - Setzen Sie die Halterung der Scherköpfe wieder auf, drücken Sie sie etwas herunter und drehen Sie gleichzeitig den Zahnkranz etwas im Uhrzeigersinn.

HINWEIS

Wenn sich die Halterung der Scherköpfe nicht aufsetzen lässt, kann es sein, dass der Zahnkranz etwas verdreht ist. Drehen sie in diesem Fall den Zahnkranz noch einmal bis zum Anschlag gegen den Uhrzeigersinn. Dann lässt sich die Halterung der Scherköpfe aufsetzen.

Die Schereinheit **2** ist nun wieder montiert.

- 6) Entfernen Sie lose Haare mit dem Pinsel **13** aus dem Rasierer.
- 7) Setzen Sie die Schereinheit **2** wieder auf den Rasierer. Achten Sie darauf, dass diese einrastet und fest sitzt.
- Reinigen Sie das Gehäuse mit einem feuchten Tuch.

HINWEIS

Wenn...

- ... die Rasur spürbar schlechter wird,...
- ... Sie den Rasierer mehrmals über die gleiche Stelle führen müssen, um ein gutes Ergebnis zu erzielen,...
- ... die Rasur deutlich länger dauert,...
- ... Beschädigungen an den Scherköpfen sichtbar sind,...

... müssen die Scherköpfe/die Schereinheit **2** gewechselt werden.

Die Schereinheit **2**, inkl. der Scherköpfe können Sie über unseren Kundenservice nachbestellen (siehe Kapitel „Ersatzteile bestellen“).

Zum Wechseln der Schereinheit **2** gehen Sie folgendermaßen vor:

- 1) Drücken Sie auf die Entriegelungstaste **4**, so dass die Schereinheit **2** aufspringt.
- 2) Überstrecken Sie die Schereinheit **2** ein wenig, so dass diese sich nach oben herausziehen lässt.
- 3) Setzen Sie die neue Schereinheit **2** auf den Rasierer. Achten Sie darauf, dass diese einrastet und fest sitzt.

Aufbewahrung

ACHTUNG! SACHSCHADEN!

Bewahren Sie den Rasierer nie in der Tasche **14** auf, während das Gerät geladen wird! Überhitzungsgefahr!

- Stecken Sie immer die Schutzkappe **1** auf die Schereinheit **2**, wenn Sie das Gerät nicht benutzen. Achten Sie dabei darauf, dass die Ecke mit dem langen Plastikschutz über der Entriegelungstaste **4** liegt. Ansonsten lässt sich die Schutzkappe **1** nicht aufsetzen.

- Bewahren Sie das gereinigte und trockene Gerät und seine Zubehörteile in der mitgelieferten Tasche **14** auf.
- Lagern Sie alles an einem sauberen, staubfreien und trockenen Ort.

Entsorgung



Werfen Sie das Gerät keinesfalls in den normalen Hausmüll. Dieses Produkt unterliegt der europäischen Richtlinie 2012/19/EU.

Entsorgen Sie das Gerät über einen zugelassenen Entsorgungsbetrieb oder über Ihre kommunale Entsorgungseinrichtung. Beachten Sie die aktuell geltenden Vorschriften. Setzen Sie sich im Zweifelsfall mit Ihrer Entsorgungseinrichtung in Verbindung.

HINWEIS

- ▶ Der integrierte Akku dieses Gerätes kann zur Entsorgung nicht entfernt werden.
Bei der Entsorgung ist darauf hinzuweisen, dass dieses Gerät Akkus enthält.



Die Verpackung besteht aus umweltfreundlichen Materialien, die Sie über die örtlichen Recyclingstellen entsorgen können.

Garantie der Kompernaß Handels GmbH

Sehr geehrte Kundin, sehr geehrter Kunde,

Sie erhalten auf dieses Gerät 3 Jahre Garantie ab Kaufdatum. Im Falle von Mängeln dieses Produkts stehen Ihnen gegen den Verkäufer des Produkts gesetzliche Rechte zu. Diese gesetzlichen Rechte werden durch unsere im Folgenden dargestellte Garantie nicht eingeschränkt.

Garantiebedingungen

Die Garantiefrist beginnt mit dem Kaufdatum. Bitte bewahren Sie den Original-Kassenbon gut auf. Diese Unterlage wird als Nachweis für den Kauf benötigt.

Tritt innerhalb von drei Jahren ab dem Kaufdatum dieses Produkts ein Material- oder Fabrikationsfehler auf, wird das Produkt von uns – nach unserer Wahl – für Sie kostenlos repariert oder ersetzt. Diese Garantieleistung setzt voraus, dass innerhalb der Drei-Jahres-Frist das defekte Gerät und der Kaufbeleg (Kassenbon) vorgelegt und schriftlich kurz beschrieben wird, worin der Mangel besteht und wann er aufgetreten ist.

Wenn der Defekt von unserer Garantie gedeckt ist, erhalten Sie das reparierte oder ein neues Produkt zurück. Mit Reparatur oder Austausch des Produkts beginnt kein neuer Garantiezeitraum.

Garantiezeit und gesetzliche Mängelansprüche

Die Garantiezeit wird durch die Gewährleistung nicht verlängert. Dies gilt auch für ersetzte und reparierte Teile. Eventuell schon beim Kauf vorhandene Schäden und Mängel müssen sofort nach dem Auspacken gemeldet werden. Nach Ablauf der Garantiezeit anfallende Reparaturen sind kostenpflichtig.

Garantieumfang

Das Gerät wurde nach strengen Qualitätsrichtlinien sorgfältig produziert und vor Auslieferung gewissenhaft geprüft.

Die Garantieleistung gilt für Material- oder Fabrikationsfehler. Diese Garantie erstreckt sich nicht auf Produktteile, die normaler Abnutzung ausgesetzt sind und daher als Verschleißteile angesehen werden können oder für Beschädigungen an zerbrechlichen Teilen, z. B. Schalter, Akkus, Backformen oder Teile die aus Glas gefertigt sind.

Diese Garantie verfällt, wenn das Produkt beschädigt, nicht sachgemäß benutzt oder gewartet wurde. Für eine sachgemäße Benutzung des Produkts sind alle in der Bedienungsanleitung aufgeführten Anweisungen genau einzuhalten. Verwendungszwecke und Handlungen, von denen in der Bedienungsanleitung abgeraten oder vor denen gewarnt wird, sind unbedingt zu vermeiden.

Das Produkt ist nur für den privaten und nicht für den gewerblichen Gebrauch bestimmt. Bei missbräuchlicher und unsachgemäßer Behandlung, Gewaltanwendung und bei Eingriffen, die nicht von unserer autorisierten Service-Niederlassung vorgenommen wurden, erlischt die Garantie.

Abwicklung im Garantiefall

Um eine schnelle Bearbeitung ihres Anliegens zu gewährleisten, folgen Sie bitte den folgenden Hinweisen:

- Bitte halten Sie für alle Anfragen den Kassenbon und die Artikelnummer (z. B. IAN 12345) als Nachweis für den Kauf bereit.
- Die Artikelnummer entnehmen Sie bitte dem Typenschild, einer Gravur, auf dem Titelblatt ihrer Anleitung (unten links) oder als Aufkleber auf der Rück- oder Unterseite.
- Sollten Funktionsfehler oder sonstige Mängel auftreten, kontaktieren Sie zunächst die nachfolgend benannte Serviceabteilung **telefonisch** oder per **E-Mail**.
- Ein als defekt erfasstes Produkt können Sie dann unter Beifügung des Kaufbelegs (Kassenbon) und der Angabe, worin der Mangel besteht und wann er aufgetreten ist, für Sie portofrei an die Ihnen mitgeteilte Service-Anschrift übersenden.



Auf www.lidl-service.com können Sie diese und viele weitere Handbücher, Produktvideos und Software herunterladen.

Service

DE Service Deutschland

Tel.: 0800 5435 111 (Kostenfrei aus dem dt. Festnetz/
Mobilfunknetz)

E-Mail: kompernass@lidl.de

AT Service Österreich

Tel.: 0820 201 222 (0,15 EUR/Min.)

E-Mail: kompernass@lidl.at

CH Service Schweiz

Tel.: 0842 665566 (0,08 CHF/Min., Mobilfunk max.
0,40 CHF/Min.)

E-Mail: kompernass@lidl.ch

IAN 285256

Importeur

Bitte beachten Sie, dass die folgende Anschrift keine Serviceanschrift ist. Kontaktieren Sie zunächst die benannte Servicestelle.

KOMPERNASS HANDELS GMBH

BURGSTRASSE 21

DE-44867 BOCHUM

DEUTSCHLAND

www.kompernass.com

Ersatzteile bestellen

Folgende Ersatzteile können Sie zum Produkt SRR 3.7 B2 bestellen:



- ▶ Schereinheit inkl. Scherköpfe (Farbe silber)



- ▶ Schereinheit inkl. Scherköpfe (Farbe anthrazit)

Bestellen Sie die Ersatzteile über unsere Service-Hotline (siehe Kapitel „Service“) oder bequem auf unserer Webseite unter www.kompernass.com.



HINWEIS

- ▶ Halten Sie die IAN-Nummer, die Sie auf dem Umschlag dieser Bedienungsanleitung finden, für Ihre Bestellung bereit.

KOMPERNASS HANDELS GMBH

BURGSTRASSE 21

DE-44867 BOCHUM

GERMANY

www.kompernass.com

Last Information Update · Stand der Informationen

02/2017 · Ident.-No.: SRR3.7B2-122016-1

IAN 285256