



www.lidl-service.com



CORDLESS MULTI-GRINDER PFBS 12 A1

(GB)

CORDLESS MULTI-GRINDER

Translation of the original instructions

(LT)

TIKSLUS AKUMULIATORINIS GREŽTUVAS-ŠLIFUOKLIS

Naudojimo instrukcijos originalo vertimas

(PL)

AKUMULATOROWA L SZLIFIERKO-WIERTARKA

Tłumaczenie oryginalnej instrukcji obsługi

(DE) (AT) (CH)

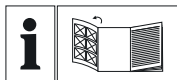
AKKU-FEINBOHRSCHLEIFER

Originalbetriebsanleitung

IAN 279872

(PL)

(LT)



GB

Before reading, unfold the page containing the illustrations and familiarise yourself with all functions of the device.

PL

Przed przeczytaniem proszę rozłożyć stronę z ilustracjami, a następnie proszę zapoznać się z wszystkimi funkcjami urządzenia.

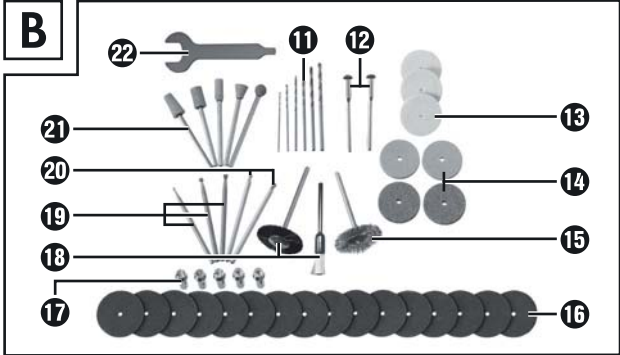
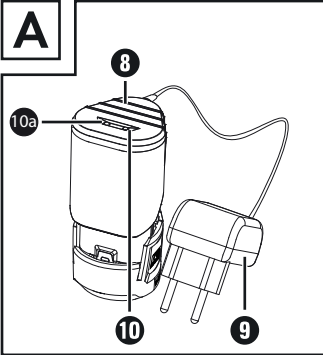
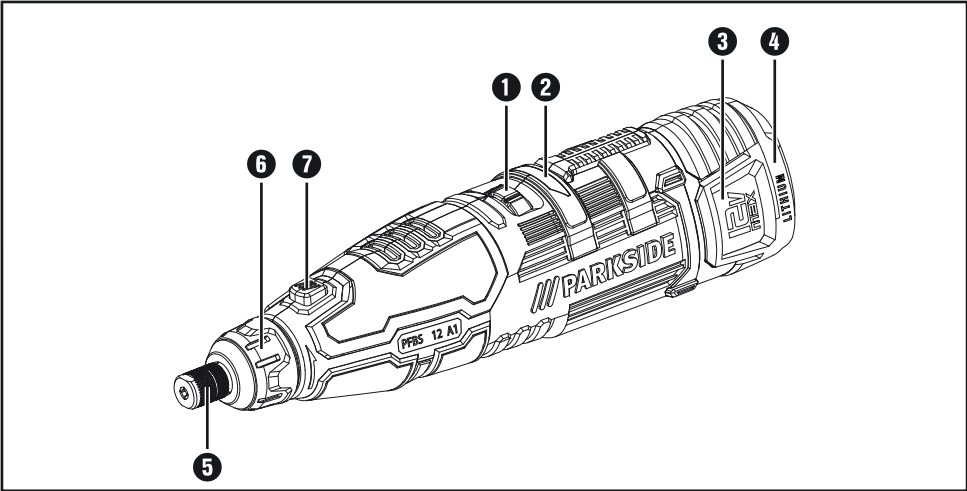
LT

Prieš skaitydami atsiverskite lapą su paveikslėliais ir susipažinkite su visomis prietaiso funkcijomis.

DE AT CH

Klappen Sie vor dem Lesen die Seite mit den Abbildungen aus und machen Sie sich anschließend mit allen Funktionen des Gerätes vertraut.

GB	Translation of the original instructions	Page	1
PL	Tłumaczenie oryginalnej instrukcji obsługi	Strona	15
LT	Naudojimo instrukcijos originalo vertimas	Seite	31
DE/AT/CH	Originalbetriebsanleitung	Seite	47



Contents

Introduction	2
Intended use	2
Features	2
Package contents	2
Technical details	2
General Power Tool Safety Warnings	3
1. Work area safety	3
2. Electrical safety	3
3. Personal safety	4
4. Power tool use and care	4
5. Use and handling of the cordless electrical power tool	5
6. Service	5
Safety instructions for all applications	5
Additional safety instructions for all applications	7
Supplementary safety instructions for grinding and abrasive cutting	8
Supplementary safety instructions for working with wire brushes	8
Safety guidelines for battery chargers	9
Use	9
Charging the battery pack	9
Attaching/disconnecting the battery pack to/from the appliance	10
Checking the battery charge level	10
Changing/inserting the tool/collet chuck	10
Switching on and off/setting speed range	10
Notes on working with materials/tools/speed range	10
Tips and tricks	12
Maintenance and cleaning	12
Disposal	13
Kompersnass Handels GmbH warranty	13
Service	14
Importer	14
Translation of the original Conformity Declaration	14

CORDLESS MULTI-GRINDER PFBS 12 A1

Introduction

Congratulations on the purchase of your new appliance. You have selected a high-quality product.

The operating instructions are part of this product. They contain important information about safety, usage and disposal. Before using the product, please familiarise yourself with all operating and safety instructions. Use the product only as described and for the range of applications specified. Please also pass these operating instructions on to any future owner.

Intended use

This cordless precision drill/sander is intended for drilling, milling, engraving, polishing, cleaning, grinding, cutting of materials such as wood, metal, plastics, ceramics and stone in dry rooms using the corresponding attachments (as supplied). Any other usage of or modification to the appliance is deemed to be improper and carries a significant risk of accidents. The manufacturer accepts no responsibility for damage(s) attributable to misuse. This appliance is not intended for commercial use.

Features

Cordless precision drill/sander:

- 1** ON/OFF switch/control dial
- 2** Battery LED
- 3** Battery release button
- 4** Battery pack
- 5** Tensioning nut
- 6** Cap nut
- 7** Spindle lock

Battery charger (see Fig. A):

- 8** Charger cradle
- 9** Mains adapter
- 10** Red charge status indicator
- 10a** Green charge status indicator

Accessories (See Fig. B):

- 11** 6 HSS drill bits
- 12** 2 mandrels as tool holders
- 13** 3 polishing discs
- 14** 4 grinding discs
- 15** 1 metal brush
- 16** 16 cutting discs
- 17** 5 collet chucks
- 18** 2 synthetic brushes
- 19** 3 milling bits
- 20** 2 engraving bits
- 21** 5 grinding bits
- 22** 1 combination spanner

Package contents

- 1 cordless multi-grinder
- 1 charger cradle with mains adapter
- 1 accessories set (50 pieces)
- 1 set of operating instructions

Technical details

Model PFBS 12 A1:

Rated voltage:	12 V --- (DC)
Rated idle speed:	n 5000–25000 rpm
Max. disc \varnothing :	25 mm

Chuck clamping
range:  max. \varnothing 3.2 mm

Battery pack PFBS 12 A1-1:

INPUT:

Rated voltage:	12 V --- (DC)
Capacity:	1300 mAh
Type:	LITHIUM ION


Battery charger PFBS 12 A1-2:

Primary (input):

Rated voltage:	100–240 V \sim , 50–60 Hz (alternating current)
----------------	--

Rated power consumption:	0.3 A
-----------------------------	-------

Secondary (output):

Rated voltage:	14.5 V --- (DC)
Rated current:	450 mA
Charging time:	approx. 3 hours
Protection class:	II/  (double insulation)

Noise emission value:

Noise measurement value determined in accordance with EN 60745. The A-rated noise level of the tool is typically:

- Sound pressure level: $L_{pA} = 60.5 \text{ dB (A)}$
- Uncertainty: $K_{pA} = 3 \text{ dB}$
- Sound power level: $L_{WA} = 71.5 \text{ dB (A)}$
- Uncertainty K: $K_{WA} = 3 \text{ dB}$

Wear hearing protection!

Total vibration value:

- $a_h = 1.07 \text{ m/s}^2$
- Uncertainty K: 1.5 m/s^2

NOTE

- ▶ The vibration level specified in these instructions has been measured in accordance with a standardised measuring procedure and can be used to make equipment comparisons. The specified vibration emission value can also be used to make an initial exposure estimate.

⚠ WARNING!

- ▶ The vibration level varies in accordance with the use of the power tool and may be higher than the value specified in these instructions in some cases. Regular use of the power tool in such a way may cause the user to underestimate the vibration. Try to keep the vibration loads as low as possible. Measures to reduce the vibration load are, e.g. wearing gloves and limiting the working time. All states of operation must be taken into account (e.g. times when the power tool is switched off and times where the power tool is switched on but running without load).

General Power Tool Safety Warnings



⚠ WARNING!

- ▶ Read all safety warnings and all instructions. Failure to follow the warnings and instructions may result in electric shock, fire and/or serious injury.

Save all warnings and instructions for future reference.

The term "power tool" in the warnings refers to your mains-operated (corded) power tool or battery-operated (cordless) power tool.

1. Work area safety


- a) **Keep work area clean and well lit.**
Cluttered or dark areas invite accidents.
- b) **Do not operate power tools in explosive atmospheres, such as in the presence of flammable liquids, gases or dust.** Power tools create sparks which may ignite the dust or fumes.
- c) **Keep children and bystanders away while operating a power tool.** Distractions can cause you to lose control.

2. Electrical safety

- a) **Power tool plugs must match the outlet. Never modify the plug in any way. Do not use any adapter plugs with earthed (grounded) power tools.** Unmodified plugs and matching outlets will reduce risk of electric shock.
- b) **Avoid body contact with earthed or grounded surfaces, such as pipes, radiators, ranges and refrigerators.** There is an increased risk of electric shock if your body is earthed or grounded.
- c) **Do not expose power tools to rain or wet conditions.** Water entering a power tool will increase the risk of electric shock.
- d) **Do not abuse the cord. Never use the cord for carrying, pulling or unplugging the power tool. Keep cord away from heat, oil, sharp edges or moving parts.** Damaged or entangled cords increase the risk of electric shock.

- e) When operating a power tool outdoors, use an extension cord suitable for outdoor use. Use of a cord suitable for outdoor use reduces the risk of electric shock.
- f) If operating a power tool in a damp location is unavoidable, use a residual current device (RCD) protected supply. Use of an RCD reduces the risk of electric shock.

3. Personal safety

- a) Stay alert, watch what you are doing and use common sense when operating a power tool. Do not use a power tool while you are tired or under the influence of drugs, alcohol or medication. A moment of inattention while operating power tools may result in serious personal injury.
- b)  Use personal protective equipment. Always wear eye protection. Protective equipment such as dust mask, non-skid safety shoes, hard hat, or hearing protection used for appropriate conditions will reduce personal injuries.
- c) Prevent unintentional starting. Ensure the switch is in the off-position before connecting to power source and/or battery pack, picking up or carrying the tool. Carrying power tools with your finger on the switch or energising power tools that have the switch on invites accidents.
- d) Remove any adjusting key or wrench before turning the power tool on. A wrench or a key left attached to a rotating part of the power tool may result in personal injury.
- e) Do not overreach. Keep proper footing and balance at all times. This enables better control of the power tool in unexpected situations.
- f) Dress properly. Do not wear loose clothing or jewellery. Keep your hair, clothing and gloves away from moving parts. Loose clothes, jewellery or long hair can be caught in moving parts.
- g) If devices are provided for the connection of dust extraction and collection facilities, ensure these are connected and properly used. Use of dust collection can reduce dust-related hazards.

4. Power tool use and care

- a) Do not force the power tool. Use the correct power tool for your application. The correct power tool will do the job better and safer at the rate for which it was designed.
- b) Do not use the power tool if the switch does not turn it on and off. Any power tool that cannot be controlled with the switch is dangerous and must be repaired.
- c) Disconnect the plug from the power source and/or the battery pack from the power tool before making any adjustments, changing accessories, or storing power tools. Such preventive safety measures reduce the risk of starting the power tool accidentally.
- d) Store idle power tools out of the reach of children and do not allow persons unfamiliar with the power tool or these instructions to operate the power tool. Power tools are dangerous in the hands of untrained users.
- e) Maintain power tools. Check for misalignment or binding of moving parts, breakage of parts and any other condition that may affect the power tools operation. If damaged, have the power tool repaired before use. Many accidents are caused by poorly maintained power tools.
- f) Keep cutting tools sharp and clean. Properly maintained cutting tools with sharp cutting edges are less likely to bind and are easier to control.
- g) Use the power tool, accessories and tool bits, etc. in accordance with these instructions, taking into account the working conditions and the work to be performed. Use of the power tool for operations different from those intended could result in a hazardous situation.

5. Use and handling of the cordless electrical power tool

- a) Charge a rechargeable battery unit using only the charger recommended by the manufacturer. Chargers are often designed for a particular type of rechargeable battery unit. There is the danger of fire if other types of rechargeable battery units are used.
- b) Only the rechargeable battery units supplied are to be used with an electrical power tool. The use of other rechargeable battery units may lead to the danger of injury or fire.
- c) When they are not being used, store rechargeable battery units away from paper clips, coins, keys, nails, screws or other small metal objects that could cause the contacts to be bridged. Short-circuiting the contacts of a rechargeable battery unit may result in heat damage or fire.
- d) Fluids may leak out of rechargeable battery units if they are misused. If this happens, avoid contact with the fluid. If contact occurs, flush the affected area with water. Seek additional medical help if any of the fluid gets into your eyes. Escaping battery fluid may cause skin irritation or burns.



CAUTION! RISK OF EXPLOSION!
Never charge non-rechargeable batteries!



Protect the rechargeable battery from heat, for example from continuous exposure to sunlight, fire, water and moisture. There is a risk of explosion.



6. Service

- a) Have your power tool serviced by a qualified repair person using only identical replacement parts. This will ensure that the safety of the power tool is maintained.

Safety instructions for all applications

General safety instructions for grinding, sandpaper sanding, working with wire brushes, polishing, milling and abrasive cutting:

- a) This power tool is intended for use as a grinder, sandpaper sander, wire brush, polisher, milling machine and abrasive cutting appliance. Please follow all safety instructions, instructions, diagrams and data that you receive with the appliance. If you do not observe the following instructions, this can lead to electrical shock, fire and/or serious injuries.
- b) Do not use any accessories that have not been provided or recommended by the manufacturer for this power tool. Just because you can attach the accessories to your power tool, does not ensure they are safe to use.
- c) The permissible speed of the accessory tool used must be at least as high as the maximum speed specified for the power tool. Accessories that rotate faster than the permissible rate can break and throw pieces into the air.
- d) The external diameter and thickness of the accessory tool used must comply with the dimensions of the power tool. Incorrectly dimensioned accessory tools cannot be sufficiently shielded or controlled.
- e) Grinding discs, sanding drums or other accessories must match the grinding spindle or collet chuck of your power tool exactly. Accessory tools which do not fit precisely into the take-up of the power tool will rotate unevenly, vibrate severely and can lead to a loss of control.
- f) Discs, grinding cylinders, cutting tools or other accessories mounted on a mandrel must be completely inserted in the collet or chuck. Any "protrusion" or exposed parts of the mandrel between the grinding tool and the collet or chuck must be kept to a minimum.

- If the mandrel is not sufficiently tightened or the grinding tool protrudes too far, the tool could come loose and be thrown out at high speed.
- g) **Never use damaged accessory tools. Before each use, check accessory tools such as grinding discs for chips or cracks, sanding drums for cracks, wearing or excessive wear and tear and wire brushes for loose or broken wires. If the power tool or the accessory tool in use is dropped, check to see if it is damaged or use an undamaged accessory tool. When you have checked and inserted the accessory tool, ensure that you and any other people in the vicinity remain outside of the range of the rotating accessory tool and allow the tool to rotate at maximum speed for one minute. Damaged accessory tools usually break during this test period.**
 - h) **Wear personal protective equipment. Depending on the application, ensure that you use full face protection, eye protection or goggles. If required, use a dust mask, ear protectors, protective gloves or special apron to protect you from grindings and material particles. Protected your eyes from flying debris that may be created during certain applications. Dust or filter masks must be used to filter any dust created by the application. If you are exposed to loud noise for any length of time, you may suffer hearing loss.**
 - i) **Ensure that other people remain at a safe distance to your workspace. Anyone who enters the workspace must wear personal protective equipment. Fragments of the workpiece or broken accessory tools can fly off and cause injury – even outside the immediate working area.**
 - j) **Hold the power tool only by the insulated gripping surfaces when performing an operation where the accessory tool may contact hidden wiring or its own cord. Contact with a live cable can also make metal parts of the appliance live and could result in an electric shock.**
 - k) **Always hold the power tool firmly. When running up to full speed, the torque of the motor can cause the power tool to twist.**
 - l) **If possible, use clamps to hold the workpiece in position. Never hold a small workpiece in one hand and the power tool in the other while you are using it. By clamping small workpieces, you keep both hands free for better control of the power tool. When cutting round workpieces such as dowels, rods or pipes, be aware that these can roll away and this can cause the tool to jam and be thrown towards you.**
 - m) **Hold the power cord away from any rotating accessories. If you lose control of the appliance, the cord may get cut or caught and your hand or arm could get caught in the rotating accessory tool.**
 - n) **Never put the power tool down until the accessory tool has come to a complete standstill. The rotating accessory tool can come into contact with the surface and cause you to lose control of the power tool.**
 - o) **When changing accessory tools or changing settings, tighten the collet nut, the chuck or other fixing elements tightly. Loose fixing elements can shift unexpectedly and lead to loss of control; unfixed, rotating components will fly off violently.**
 - p) **Do not leave the power tool running whilst carrying it. Accidental contact between your clothing and the rotating accessory tool could lead to physical injury.**
 - q) **Clean the ventilation slits of your power tool regularly. The engine fan draws dust into the housing and a strong accumulation of metal dust can cause electrical hazards.**
 - r) **Do not use the power tool in the vicinity of flammable materials. Sparks can ignite such materials.**
 - s) **Do not use any accessory tools which require liquid coolant. The use of water or other liquid coolants may lead to electric shock.**

Additional safety instructions for all applications

Kickback and corresponding safety instructions

Kickback is a sudden reaction caused when a rotating accessory tool, e.g. grinding disc, abrasive band, wire brush, etc., catches or jams. Catching or jamming leads to an abrupt stop of the rotating accessory tool. If this happens, an uncontrolled power tool will turn rapidly against the direction of rotation of the accessory tool.

If, for example, a grinding disc catches or jams, the edge of the grinding disc that is projecting into the workpiece can get caught and break off the grinding disc or cause a kickback. The grinding disc can then fly in the direction of the operator or away from him, depending on the direction of rotation of the disc at the blockage. This can also break grinding discs.

A kickback is caused by incorrect use or misuse of the power tool. This can be avoided by taking proper precautions as given below.

- a) Hold the power tool firmly in both hands and position your body and arms so they can absorb the force of a kickback. By taking adequate precautions, the operator can stay in control of the kickback forces.
- b) **Take special care when working around corners, sharp edges, etc. Avoid allowing the accessory tool to bounce back from the workpiece or jam in the workpiece.** The rotating accessory tool is more likely to jam in corners or sharp edges or if it rebounds off them. This can cause a loss of control or kickback.
- c) **Do not use toothed saw blades.** Such accessories often cause a kickback or loss of control over the power tool.
- d) **Always move the accessory tool in the same direction in the material in which the cutting edge leaves the material (in other words, the same direction in which the dust is thrown out).** Guiding the power tool in the wrong direction will cause the cutting edge of the accessory tool to jump out of the workpiece which can lead to the accessory tool being pulled in this direction.
- e) **Always fix the workpiece when using rotary files, cutting discs, high-speed milling tools or hard-metal tools.** Even a minimal tilting in the groove can cause these tools to jam and lead to a kickback. When the cutting disc jams, it usually breaks. When a rotary file, high-speed milling tool or hard-metal milling tool jams, the accessory tool can jump out of the groove and lead to loss of control of the power tool.

Supplementary safety instructions for grinding and abrasive cutting

Special safety instructions for grinding and abrasive cutting

- a) Use only the grinding accessories approved for your power tool and only for the recommended applications. Example: Never grind with the side surface of a cutting disc. Cutting discs are designed to remove material with the edge of the disc. Any lateral application of force on these grinding tools can lead to breakage.
- b) Use only undamaged mandrels of the correct size and length and without undercut on the shoulder for conical and straight pencil grinders. Using an appropriate mandrel reduces the risk of breakages.
- c) Avoid cutting disc jams or excessive contact pressure. Do not make any excessively deep cuts. Overloading the cutting disc increases the stress and likelihood of tilting or jamming and thus the possibility of kickback or breakage of the grinding tool.
- d) Avoid putting your hand in the area in front of or behind the rotating cutting disc. When you move the cutting disc away from your hand, it is possible, in the event of a kickback, that the power tool along with the rotating disc could be thrown out directly towards you.
- e) If the cutting disc jams or you stop working, switch the tool off and hold it steady until the disc has completely stopped turning. Never attempt to pull a rotating cutting disc out of a cut. This could lead to kickback. Identify and remove the cause of the jam.
- f) Do not switch the power tool back on as long as it is in the workpiece. Allow the cutting disc to reach its full speed before you carefully continue the cut. Otherwise, the disc may jam, jump out of the workpiece or cause kickback.

- g) Support panels or large workpieces to reduce the risk of the cutting disc jamming and causing a kickback. Large workpieces can bend under their own weight. The workpiece must be supported on both sides, namely in the vicinity of the cut, and also at the edge.
- h) Be particularly careful when making "pocket cuts" into existing walls or other obscured areas. The inserted cutting disc may cut into gas or water pipes, electrical wiring or other objects that can cause kickback.

Supplementary safety instructions for working with wire brushes

Special safety instructions for working with wire brushes:

- a) Be aware that the brush can lose wire bristles even during normal operation. Do not over-stress the wires by applying excessive pressure to the brush. The wire bristles can easily penetrate light clothing and/or skin.
- b) Allow the brush to run at working speed for at least one minute before applying it to the workpiece. Ensure that no one is standing in front of or in line with the brush during this time. Loose pieces of wire could fly off during the run-in period.
- c) Aim the rotating steel brush away from yourself. When working with these brushes, small particles and minute pieces of wire can fly off at great speed and pierce skin.

Safety guidelines for battery chargers

- This appliance may be used by children aged 8 years and above and by persons with limited physical, sensory or mental capabilities or lack of experience and knowledge, provided that they are under supervision or have been told how to use the appliance safely and are aware of the potential risks. Do not allow children to use the appliance as a plaything. Cleaning and user maintenance tasks may not be carried out by children unless they are supervised.
- To avoid potential risks, damaged mains cables should be replaced by the manufacturer, their customer service department or a similarly qualified person.



The charger is suitable for indoor use only.

⚠ WARNING!

- Do not operate the appliance with a damaged cable, power cable or power plug. A damaged power cable poses a threat of fatal electric shock.

Use

- Never use the appliance for other purposes and only original parts/accessories. Using attachments or accessory tools other than those recommended in the operating instructions can lead to a risk of injury.

Charging the battery pack

NOTE

- ▶ A new battery pack or a battery pack which has not been used for a long time will need to be charged before first use/reuse. It will reach its full capacity after 3–5 charge cycles. The charging process lasts around 180 minutes.

⚠ CAUTION! RISK OF INJURY!

- ▶ Always unplug the appliance before you remove the battery pack from or connect the battery pack to the charger.
- ◆ Insert the battery pack **4** into the charger cradle **8**. It can only be inserted with the correct polarity.
- ◆ Connect the mains adapter **9** to a mains power socket.
- ◆ As long as the battery pack is charging, the red battery charge indicator **10** lights up. Once charging is completed, the red battery charge indicator **10** goes off and the green battery charge indicator **10a** lights up. The battery pack **4** is ready for use.

⚠ CAUTION!

- ▶ Never recharge a battery pack again immediately after charging. There is a risk that the battery pack will become overcharged.

Attaching/disconnecting the battery pack to/from the appliance

Inserting the battery pack:

- ◆ Push the ON/OFF switch **1** to the "OFF" position.
- ◆ Insert the battery pack **4** into the appliance until it clicks into place.

Removing the battery pack:

- ◆ Press the two battery release buttons **3** on the side of the appliance at the same time and remove the battery pack **4**.

Checking the battery charge level

If the appliance is switched on, the status/remaining charge will be shown on the battery LED 2 as follows:

RED / ORANGE / GREEN = maximum charge

RED / ORANGE = medium charge

RED = low charge - charge the battery

Changing/inserting the tool/collet chuck

- ◆ Press the spindle lock **7** and hold it down.
- ◆ Turn the tensioning nut **5** until the lock clicks into place.
- ◆ Undo the tensioning nut **5** from the thread using the combination spanner **22**.
- ◆ Remove any tool which is inserted.
- ◆ First push the intended tool through the tensioning nut **5** before inserting it into the appropriate collet chuck **17** for the tool shaft.
- ◆ Press the spindle lock **7** and hold it down.
- ◆ Push the collet chuck **17** into the thread insert and screw the tensioning nut **5** tight with the combination spanner **22**.

NOTE

- ▶ Use the screwdriver side of the combination spanner **22** to undo and tighten the screw on the mandrel **12**.

Switching on and off/setting speed range

Switching on/setting the speed range:

- ◆ Set the ON/OFF switch with the speed control **1** to a position between "1" and "MAX".

Switching off:

- ◆ Set the ON/OFF switch with the speed control **1** to the "OFF" position .

Notes on working with materials/ tools/speed range

- Use the milling bits **19** for working on steel and iron at maximum speed.
- Determine the rotational speed range for working on zinc, zinc alloys, aluminium, copper and lead by trying it out on test pieces.
- Use a low rotational speed for work on plastics and materials with a low melting point.
- Use a high rotational speed for working on wood.
- Carry out cleaning, polishing and buffing work in the medium speed range.

The following are recommendations only and not binding. When carrying out practical work, carry out your own tests to see which tool and which settings are ideal for the material you are working on.

Setting a suitable rotational speed:

Number on the speed control ①	Material being worked	Number on the speed control ①	Material being worked
1-3	Plastics and materials with a low melting point	6	Hardwood
4-5	Stone, ceramics	Max	Steel
5	Soft wood, metal		

Application examples/selecting a suitable tool:

Function	Accessories	Use	Protrusion (min-max) mm
Drilling	HSS drills ①	Working wood	18-25, using the smallest drill, the protrusion is 10 mm
Milling	Milling bits ⑱	Various jobs; e.g. creating recesses, hollows, forms, grooves or slits	18-25
Engraving	Engraving bits ⑳	Labelling, handcraft	18-25
Polishing, rust removal CAUTION! Exert only slight pressure when applying the tool to the workpiece.	Metal brush ⑮	Rust removal	9-15
	Polishing discs ⑬	Various metals and plastics, especially precious metals such as gold and silver	12-18
Cleaning	Synthetic brushes ⑱	e.g. cleaning hard-to-access plastic housings or the area around a door lock	9-15
Grinding	Grinding discs ⑭	Grinding work on stone, wood, fine work on hard materials such as ceramics or alloyed steel	12-18
	Grinding bits ㉑		10
Disconnecting	Cutting discs ⑯ metal	Working metal, plastic and wood	12-18

- Note that the maximum diameter of the grinding assembly, and of grinding cones and pencil grinders with a thread insert, may not exceed 55 mm and the maximum diameter for sand-paper sanding accessories may not exceed 80 mm.

NOTE

- ▶ The max. permissible length of a mandrel is 33 mm.
- Store the accessories in the original box or store the accessory components somewhere else to protect them from damage.
- Store the accessories somewhere dry and not in the vicinity of aggressive media.

Tips and tricks

- If you exert too much pressure, the fitted tool can break and/or the workpiece could be damaged. You will achieve optimum working results by moving the tool over the workpiece at a steady speed and while exerting light pressure.
- When carrying out cutting work, hold the appliance firmly with both hands.
- Observe the data and the information in the table to prevent the end of the spindle from touching the perforated base of the grinding tool.

Maintenance and cleaning

The appliance is maintenance-free.

- Remove all dirt from the appliance. Use a dry cloth to do this.
- At the beginning and end of an extended period of non-use, charge the battery pack **4** fully.
- If a lithium-ion battery is to be stored for an extended period, the charge level should be checked regularly. The optimum charge level is between 50% and 80%. The optimum storage environment is cool and dry.

⚠ WARNING!

- Have the power tool repaired by the service centre or a qualified electrician and only using genuine replacement parts. This will ensure that the safety of the appliance is maintained.

⚠ WARNING!

- Always ensure that the power plug or the mains cable is replaced only by the manufacturer of the appliance or by an approved customer service provider. This will ensure that the safety of the appliance is maintained.

NOTE

- ▶ Replacement parts not listed (such as the rechargeable battery, battery charger) can be ordered via our service hotline.

Disposal



The packaging is made from environmentally friendly material and can be disposed of at your local recycling plant.



Do not dispose of power tools in your normal household waste!

European Directive 2012/19/EU requires that worn-out power tools be collected separately and recycled in an environmentally compatible manner.



Do not dispose of batteries in your normal domestic waste!

⚠ WARNING!

- Remove the battery before disposal.

Defective or worn-out rechargeable batteries must be recycled according to Directive 2006/66/EC. Take the battery pack and/or appliance to a nearby collection facility. Please consult your local authorities regarding suitable disposal of worn out power tools/battery packs.

Kompernass Handels GmbH warranty

Dear Customer,

This appliance has a 3-year warranty valid from the date of purchase. If this product has any faults, you, the buyer, have certain statutory rights. Your statutory rights are not restricted in any way by the warranty described below.

Warranty conditions

The validity period of the warranty starts from the date of purchase. Please keep your original receipt in a safe place. This document will be required as proof of purchase.

If any material or production fault occurs within three years of the date of purchase of the product, we will either repair or replace the product for you at our discretion. This warranty service is dependent on you presenting the defective appliance and

the proof of purchase (receipt) and a short written description of the fault and its time of occurrence.

If the defect is covered by the warranty, your product will either be repaired or replaced by us. The repair or replacement of a product does not signify the beginning of a new warranty period.

Warranty period and statutory claims for defects

The warranty period is not prolonged by repairs effected under the warranty. This also applies to replaced and repaired components. Any damage and defects present at the time of purchase must be reported immediately after unpacking. Repairs carried out after expiry of the warranty period shall be subject to a fee.

Scope of the warranty

This appliance has been manufactured in accordance with strict quality guidelines and inspected meticulously prior to delivery.

The warranty covers material faults or production faults. The warranty does not extend to product parts subject to normal wear and tear or fragile parts such as switches, batteries, baking moulds or parts made of glass.

The warranty does not apply if the product has been damaged, improperly used or improperly maintained. The directions in the operating instructions for the product regarding proper use of the product are to be strictly followed. Uses and actions that are discouraged in the operating instructions or which are warned against must be avoided.

This product is intended solely for private use and not for commercial purposes. The warranty shall be deemed void in cases of misuse or improper handling, use of force and modifications/repairs which have not been carried out by one of our authorised Service centres.

Warranty claim procedure

To ensure quick processing of your case, please observe the following instructions:

- Please have the till receipt and the item number (e.g. IAN 12345) available as proof of purchase.
- You will find the item number on the type plate, an engraving on the front page of the instructions (bottom left), or as a sticker on the rear or bottom of the appliance.
- If functional or other defects occur, please contact the service department listed either by **telephone** or by **e-mail**.
- You can return a defective product to us free of charge to the service address that will be provided to you. Ensure that you enclose the proof of purchase (till receipt) and information about what the defect is and when it occurred.



You can download these instructions along with many other manuals, product videos and software on www.lidl-service.com.

Service



Service Great Britain

Tel.: 0871 5000 720 (£ 0.10/Min.)

E-Mail: kompennass@lidl.co.uk

IAN 279872

Importer

Please note that the following address is not the service address. Please use the service address provided in the operating instructions.

KOMPENASS HANDELS GMBH
BURGSTRASSE 21
44867 BOCHUM
GERMANY
www.kompennass.com

Translation of the original Conformity Declaration

We, KOMPENASS HANDELS GMBH, documents officer: Mr. Semi Uguzlu, BURGSTR. 21, 44867 BOCHUM, Germany, hereby declare that this product complies with the following standards, normative documents and the EC directives:

**Machinery Directive
(2006/42/EC)**

**EC Low Voltage Directive
(2014/35/EU)**

**EMC (Electromagnetic Compatibility)
(2014/30/EU)**

**RoHS Directive
(2011/65/EU)**

Applied harmonised standards:

EN 60745-1:2009/A11:2010
EN 60745-2-23:2013
EN 55014-1:2006/A2:2011
EN 55014-2:2015
EN 60335-1:2012/A11:2014
EN 60335-2-29:2004/A2:2010
EN 61000-3-2:2014
EN 61000-3-3:2013
EN 62233:2008

Type designation of machine:

Cordless multi-grinder PFBS 12 A1

Year of manufacture: 07-2016

Serial number: IAN 279872

Bochum, 08/06/2016

Semi Uguzlu

- Quality Manager -

The right to effect technical changes in the context of further development is reserved.



Spis treści

Wstęp	16
Użytkowanie zgodne z przeznaczeniem	16
Wyposażenie	16
Zakres dostawy	16
Dane techniczne	16
Ogólne wskazówki bezpieczeństwa dla elektronarzędzi	17
1. Bezpieczeństwo na stanowisku pracy	17
2. Bezpieczeństwo elektryczne	18
3. Bezpieczeństwo osób	18
4. Użytkowanie i obsługa elektronarzędzia	19
5. Stosowanie i obsługa narzędzia akumulatorowego	19
6. Serwis	20
Wskazówki bezpieczeństwa dla wszystkich zastosowań	20
Pozostałe wskazówki bezpieczeństwa dla wszystkich zastosowań	21
Dodatkowe wskazówki bezpieczeństwa dotyczące szlifowania i cięcia	22
Dodatkowe wskazówki bezpieczeństwa dotyczące pracy ze szczotkami drucianymi	23
Zasady bezpieczeństwa użycia ładowarek	23
Obsługa	24
Ładowanie akumulatora	24
Wkładanie / wyjmowanie akumulatora z urządzenia	24
Sprawdzanie stanu naładowania akumulatora	24
Wkładanie / wymiana narzędzia i zacisku	24
Włączanie i wyłączanie / ustawianie zakresu prędkości obrotowej	25
Wskazówki dotyczące obróbki materiałów / narzędzi / zakresu prędkości obrotowej	25
Wskazówki i porady	27
Konserwacja i czyszczenie	27
Utylizacja	28
Gwarancja Kompernaß Handels GmbH	28
Serwis	29
Importer	29
Tłumaczenie oryginalnej deklaracji zgodności	30

AKUMULATOROWA SZLIFIERKO-WIERTARKA PFBS 12 A1

Wstęp

Gratulujemy zakupu nowego urządzenia. Wybrany produkt charakteryzuje się wysoką jakością. Instrukcja obsługi stanowi część niniejszego produktu. Zawiera ona ważne informacje na temat bezpieczeństwa, użytkowania i utylizacji. Przed rozpoczęciem użytkowania produktu należy zapoznać się ze wszystkimi informacjami dotyczącymi obsługi i bezpieczeństwa. Produkt należy użytkować wyłącznie zgodnie z zamieszczonym tu opisem oraz w podanym zakresie zastosowań. W przypadku przekazania urządzenia osobie trzeciej należy dołączyć do niego również całą dokumentację.

Użytkowanie zgodne z przeznaczeniem

Akumulatorowa wiertarko-szlifierka wraz z odpowiednim wyposażeniem (dostarczone w zestawie) służy do wiercenia, frezowania, grawerowania, polerowania, czyszczenia, szlifowania i cięcia materiałów takich, jak drewno, metal, tworzywa sztuczne, ceramika lub kamień w suchych pomieszczeniach. Jakikolwiek inny rodzaj użycia lub modyfikacje urządzenia traktowane są jako niezgodne z przeznaczeniem i niosą za sobą poważne niebezpieczeństwo wypadku. Producent nie ponosi żadnej odpowiedzialności za szkody powstałe w wyniku użycia urządzenia w sposób niezgodny z jego przeznaczeniem. Produkt nie nadaje się do zastosowań komercyjnych.

Wyposażenie

Akumulatorowa precyzyjna wiertarko-szlifierka:

- 1 Włącznik / wyłącznik / regulacja prędkości obrotowej
- 2 Dioda LED akumulatora
- 3 Przycisk zwalniający akumulator
- 4 Akumulator
- 5 Nakrętka mocująca
- 6 Nakrętka kołpakowa
- 7 Blokada wrzeczona

Ładowarka akumulatora (patrz rys. A):

- 8 Stacja ładująca
- 9 Zasilacz sieciowy
- 10 Wskaźnik stanu naładowania akumulatora czerwony
- 10B Wskaźnik stanu naładowania akumulatora zielony

Aksesoria (patrz rys. B):

- 11 6 wiertel HSS
- 12 2 trzpienie do mocowania narzędzi
- 13 3 tarcze polerskie
- 14 4 tarcze szlifierskie
- 15 1 metalowa szczotka
- 16 16 tarcz tnących
- 17 5 zacisków
- 18 2 plastikowe szczotki
- 19 3 bity do frezowania
- 20 2 bity do grawerowania
- 21 5 bitów do szlifowania
- 22 1 klucz dwustronny

Zakres dostawy

1 akumulatorowa szlifierko-wiertarka
1 stacja ładująca z zasilaczem sieciowym
1 zestaw akcesoriów (50 części)
1 instrukcja obsługi

Dane techniczne

Model PFBS 12 A1:

Napięcie znamionowe: 12 V \equiv (prąd stały)
Znamionowa prędkość obrotowa biegu jałowego: n 5000-25000 min⁻¹
Maks. średnica tarczy: 25 mm

Zakres mocowania uchwytu wiertarskiego:  maks. \varnothing 3,2 mm

Akumulator PFBS 12 A1-1:

WEJŚCIE / Input:

Napięcie znamionowe: 12 V \equiv (prąd stały)
Pojemność: 1300 mAh
Typ: LITOWY

Ładowarka PFBS 12 A1-2:

Pierwotne (wejście/ input):

Napięcie znamionowe: 100–240 V~, 50–60 Hz
(prąd przemienny)

Znamionowy pobór

mocy: 0,3 A

Wtórne (wyjście / output):

Napięcie znamionowe: 14,5 V --- (prąd stały)

Prąd znamionowy: 450 mA

Czas ładowania: ok. 3 godz.

Klasa ochrony: II/□ (podwójna izolacja)

Wartość emisji hałasu:

Wartość pomiarowa hałasu określona zgodnie z normą EN 60745. Korygowany współczynnikiem A poziom hałasu elektronarzędzia wynosi z reguły:

Poziom ciśnienia akustycznego: $L_{pA} = 60,5 \text{ dB (A)}$

Niepewność pomiaru $K_{pA} = 3 \text{ dB}$

Poziom mocy akustycznej: $L_{WA} = 71,5 \text{ dB (A)}$

Niepewność pomiaru K: $K_{WA} = 3 \text{ dB}$

Nosić ochronniki słuchu!

Wartość całkowita drgań:

$a_h = 1,07 \text{ m/s}^2$

Niepewność pomiarów K: $1,5 \text{ m/s}^2$

WSKAZÓWKA

- Poziom drgań podany w tych instrukcjach został zmierzony znormalizowaną metodą pomiarową i może być użyty do porównywania urządzeń. Podana wartość emisji drgań może posłużyć także do wstępnej oceny stopnia narażenia.

⚠ OSTRZEŻENIE!

- Poziom wibracji będzie zmieniał się w zależności od rodzaju zastosowania elektronarzędzia i w niektórych przypadkach może przekraczać wartość podaną w niniejszych instrukcjach. Narażenie na wibracje mogłoby zostać nieprawidłowo ocenione, gdyby narzędzie było regularnie wykorzystywane w taki sposób. Należy starać się, aby obciążenie wibracjami było jak najmniejsze. Przykładowe środki mające na celu zmniejszenie narażenia na wibracje to noszenie rękawic w trakcie korzystania z narzędzia i ograniczenie czasu pracy. Należy przy tym uwzględnić wszystkie części cyklu pracy (na przykład czas, przez jaki elektronarzędzie pozostaje wyłączone, oraz czas, w którym jest ono wprawdzie włączone, ale pracuje bez obciążenia).

Ogólne wskazówki bezpieczeństwa dla elektronarzędzi



⚠ OSTRZEŻENIE!

- Proszę przeczytać wszystkie wskazówki bezpieczeństwa oraz instrukcje. Nieprzestrzeganie poniższych wskazówek bezpieczeństwa oraz instrukcji może być przyczyną porażenia prądem elektrycznym, pożaru i/lub ciężkich obrażeń ciała.

Wszystkie wskazówki bezpieczeństwa oraz instrukcje należy zachować do późniejszego wykorzystania.

Użyte we wskazówkach bezpieczeństwa pojęcie „elektonarzędzie” dotyczy narzędzi elektrycznych zasilanych z sieci (przez kabel sieciowy) oraz narzędzi elektrycznych zasilanych akumulatorami (bez kabla sieciowego).

1. Bezpieczeństwo na stanowisku pracy

- a) Stanowisko pracy należy utrzymywać w czystości i dbać o jego dobre oświetlenie. Nieporządek i niedostateczne oświetlenie mogą być przyczyną wypadków.


- b) Nigdy nie używać elektronarzędzia w otoczeniu zagrożonym wybuchem, w którym znajdują się łatwopalne ciecze, gazy lub pyły. Elektronarzędzia wytwarzają iskry, które mogą spowodować zapłon pyłu lub oparów.
- c) W czasie użytkowania elektronarzędzia zwrócić uwagę na to, aby w pobliżu nie przebywały dzieci ani żadne inne osoby. W przypadku odwrócenia uwagi od pracy można stracić kontrolę nad urządzeniem.

2. Bezpieczeństwo elektryczne

- a) Wtyk przyłączeniowy elektronarzędzia musi pasować do gniazda zasilania. Dokonywanie zmian we wtyku jest zabronione. Nigdy nie używać adapterów wtyków w połączeniu z elektronarzędziami posiadającymi uziemienie. Oryginalne wtyki oraz pasujące gniazda wtykowe zmniejszają ryzyko porażenia prądem elektrycznym.
- b) Unikać kontaktu z uziemionymi powierzchniami, takimi jak rury, grzejniki, kuchenki lub lodówki. Zetknięcie się z uziemionym przedmiotem zwiększa ryzyko porażenia prądem elektrycznym.
- c) Nigdy nie narażać elektronarzędzia na działanie deszczu lub wilgoci. Przedostanie się wody do wnętrza elektronarzędzia zwiększa ryzyko porażenia prądem elektrycznym.
- d) Nigdy nie chwycić za kabel, np. w celu przeniesienia bądź zawieszenia elektronarzędzia lub wyciągnięcia wtyku z gniazda sieciowego. Kabel chronić przed źródłami gorąca, olejem, ostrymi krawędziami lub poruszającymi się częściami urządzenia. Uszkodzone lub poskręcane kable zwiększają ryzyko porażenia prądem elektrycznym.
- e) Podczas pracy z elektronarzędziem na zewnątrz stosować wyłącznie przedłużacze, które są dopuszczone również do użytku na zewnątrz pomieszczeń. Stosowanie przedłużacza przystosowanego do pracy na zewnątrz zmniejsza ryzyko porażenia prądem elektrycznym.
- f) Jeśli nie da się uniknąć pracy z elektronarzędziem w wilgotnym otoczeniu, należy zastosować wyłącznik różnicowo-prądowy.

Użycie wyłącznika różnicowo-prądowego zmniejsza ryzyko porażenia prądem elektrycznym.

3. Bezpieczeństwo osób

- a) Należy zawsze zachowywać ostrożność i uważać na to, co się robi. Praca z elektronarzędziem wymaga także zachowania zasad zdrowego rozsądku. Nie korzystać z elektronarzędzia w przypadku przemęczenia, bycia pod wpływem narkotyków, alkoholu lub leków. Nawet chwila nieuwagi podczas korzystania z elektronarzędzia może spowodować poważne obrażenia ciała.
- b)  W czasie pracy nosić środki ochrony indywidualnej i obowiązkowo okulary ochronne. Noszenie środków ochrony indywidualnej, np. maski przeciwpyłowej, antypoślizgowego obuwia roboczego, kasku lub ochronników słuchu - w zależności od rodzaju zastosowania elektronarzędzia - zmniejsza ryzyko odniesienia obrażeń.
- c) Unikać sytuacji prowadzących do przypadkowego uruchomienia urządzenia. Przed podłączeniem do zasilania sieciowego i / lub akumulatora, przed chwyceniem lub przeniesieniem urządzenia należy upewnić się, czy elektronarzędzie jest wyłączone. Trzymanie palca na wyłączniku w trakcie przenoszenia elektronarzędzia lub podłączenie elektronarzędzia do zasilania w wciśniętym już wyłącznikiem może doprowadzić do wypadku.
- d) Przed włączeniem elektronarzędzia usunąć wszystkie przyrządy regulacyjne lub klucze. Narzędzie lub klucz pozostawiony w obracającej się części urządzenia może spowodować obrażenia ciała.
- e) Unikać nienaturalnej postawy ciała. Zadbaj o utrzymanie stabilnej postawy i przez cały czas utrzymywać równowagę. Dzięki temu będzie można lepiej kontrolować elektronarzędzie w przypadku nieoczekiwanych sytuacji.
- f) Nosić odpowiednią odzież. Nie zakładać luźnych ubrań ani biżuterii. Włosy, odzież i rękawice trzymać z dala od ruchomych części urządzenia. Ruchome części urządzenia mogą chwycić luźną, odstającą odzież, biżuterię lub długie włosy.

- g) Jeżeli możliwe jest podłączenie odciągu i zbiornika pyłu, upewnij się, czy są one podłączone i używane w sposób prawidłowy. Zastosowanie odciągu pyłu może zmniejszyć zagrożenia związane z zapyleniem.

4. Użytkowanie i obsługa elektronarzędzia

- a) Nie przeciążać urządzenia. Elektronarzędzia używać zawsze do ściśle określonego zakresu zastosowania. Z odpowiednim elektronarzędziem pracuje się lepiej i bezpieczniej w podanym zakresie mocy.
- b) Nie używać elektronarzędzia z uszkodzonym wyłącznikiem. Elektronarzędzie, którego nie można włączyć ani wyłączyć, stanowi zagrożenie i musi zostać niezwłocznie przekazane do naprawy.
- c) Przed dokonaniem ustawień urządzenia, zmianą akcesoriów lub odłożeniem urządzenia na bok wyciągnąć wtyk z gniazda wtykowego i / lub wyjąć akumulator. Uniemożliwi to przypadkowe uruchomienie elektronarzędzia.
- d) Nieużywane elektronarzędzia przechowywać w miejscu niedostępnym dla dzieci. Nie pozwalać na używanie urządzenia przez osoby, które nie wiedzą, jak się z nim obchodzić lub nie przeczytały niniejszych instrukcji. Elektronarzędzia w rękach osób niedoświadczonych stanowią duże zagrożenie.
- e) Elektronarzędzia wymagają starannej pielęgnacji. Sprawdzić, czy ruchome części działają prawidłowo i nie blokują się, czy żaden z elementów nie jest pęknięty lub uszkodzony w stopniu uniemożliwiającym prawidłowe działanie elektronarzędzia. Przed użyciem urządzenia należy zlecić naprawę uszkodzonych części. Przyczyną wielu wypadków z elektronarzędziami jest ich niewłaściwa konserwacja.
- f) Dbać o to, aby narzędzia skrawające były ostre i czyste. Zadbane narzędzia skrawające z ostrymi ostrzami rzadziej się blokują i pozwalają się lepiej prowadzić.

- g) Elektronarzędzie, akcesoria, narzędzia robocze itd. używać zgodnie z tymi instrukcjami. Należy przy tym uwzględnić warunki pracy i wykonywaną czynność. Używanie elektronarzędzi do celów innych, niż przewiduje to ich przeznaczenie, może doprowadzić do niebezpiecznych sytuacji.

5. Stosowanie i obsługa narzędzia akumulatorowego

- a) Akumulatory ładować wyłącznie za pomocą ładowarek zalecanych przez producenta. Używanie ładowarki do ładowania akumulatorów innych niż te, do których jest ona przewidziana, stwarza zagrożenie pożarowe.
- b) Stosować zawsze akumulatory przewidziane do określonego elektronarzędzia. Używanie innych akumulatorów może doprowadzić do obrażeń i niebezpieczeństwa pożaru.
- c) Nieużywany akumulator przechowywać z dala od spinaczy biurowych, monet, kluczy, gwoździ, śrub lub innych drobnych metalowych przedmiotów, które mogłyby powodować zwarcie styków. Zwarcie między stykami akumulatora może spowodować oparzenia lub pożar.
- d) Przy nieprawidłowym użytkowaniu z akumulatora może wydostać się ciecz. Unikać kontaktu z tą cieczą. W razie przypadkowego kontaktu zmyć wodą. W przypadku przedostania się cieczy do oczu należy przemyć oko i skorzystać z pomocy lekarza. Wydostająca się z akumulatora ciecz może powodować podrażnienia skóry lub poparzenia.



OSTROŻNIE! NIEBEZPIECZEŃSTWO WYBUCHU! Nigdy nie ładować baterii jednorazowych.



Chronić akumulator przed wysoką temperaturą, np. przed dłuższym działaniem promieni słonecznych, ognia, wody i wilgoci.



Niebezpieczeństwo wybuchu.



6. Serwis

- a) Naprawę urządzenia zlecać tylko wykwalifikowanemu specjalście i stosować do tego oryginalne części zamienne. Pozwoli to zapewnić bezpieczeństwo użytkownika elektronarzędzia.

Wskazówki bezpieczeństwa dla wszystkich zastosowań

Wspólne wskazówki bezpieczeństwa dla szlifowania, szlifowania papierem ściernym, pracy ze szczotkami drucianymi, polerowania, frezowania i cięcia ściernicą:

- a) To elektronarzędzie może być użytkowane jako szlifierka, szlifierka z papierem ściernym, napęd szczotki drucianej, polerka i maszyna do cięcia ściernicą. Należy przestrzegać wszystkich wskazówek bezpieczeństwa, instrukcji, rysunków i danych, otrzymanych wraz z urządzeniem. Nieprzestrzeganie poniższych wskazówek może spowodować porażenie prądem elektrycznym, pożar i/lub poważne obrażenia.
- b) Nie używać żadnych akcesoriów, które nie zostały przewidziane specjalnie do tego elektronarzędzia i nie są zalecane przez producenta. Sam fakt, że jakieś narzędzie daje się zamocować na urządzeniu nie gwarantuje bezpiecznej pracy.
- c) Dopuszczalna prędkość obrotowa narzędzia obróbkowego musi odpowiadać co najmniej maksymalnej prędkości obrotowej podanej na elektronarzędziu. Narzędzie obróbkowe, które obraca się z prędkością większą od dozwolonej, może się rozpaść na części i może zostać wyrzucone w powietrze.
- d) Średnica zewnętrzna i grubość narzędzia obróbkowego muszą być zgodne z wymiarami elektronarzędzia. Narzędzia obróbkowe o niewłaściwych wymiarach uniemożliwiają ich odpowiednie osłonięcie lub kontrolę.
- e) Tarcze szlifierskie, wałki szlifierskie lub inne akcesoria muszą pasować dokładnie do wrzeciona lub zacisku elektronarzędzia. Narzędzia obróbkowe, które nie pasują dokładnie do wrzeciona, obracając się nieregularnie, wpadają w silne drgania i mogą spowodować utratę kontroli nad nimi.

- f) Zamontowane na trzpieniu tarcze, wałki szlifierskie, narzędzia tnące lub inne akcesoria muszą być całkowicie włożone do zacisku lub uchwytu zaciskowego. „Naddatek” lub wolna część trzpienia między ściernicą i zaciskiem lub uchwytem zaciskowym muszą być minimalne. Jeśli trzpień nie zostanie dostatecznie zamocowany lub ściernica wystaje za bardzo, może dojść do oderwania się narzędzia roboczego i wyrzucenia go z dużą prędkością.
- g) Nie wolno używać uszkodzonych narzędzi. Przed każdym użyciem należy sprawdzić narzędzia obróbkowe: tarcze szlifierskie pod kątem rozwarstwień i pęknięć, wałki szlifierskie pod kątem pęknięć lub nadmiernego zużycia, szczotki druciane pod kątem obluźowanych lub obłamanych drutów. W razie upadku elektronarzędzia lub narzędzia obróbkowego należy sprawdzić, czy nie zostało ono wskutek tego uszkodzone lub użyć narzędzia nieuszkodzonego. Po sprawdzeniu i zamontowaniu narzędzia obróbkowego użytkownik oraz osoby znajdujące się w pobliżu muszą przebywać poza płaszczyzną wirującego narzędzia obróbkowego. Następnie uruchomić narzędzie na jedną minutę na maksymalnych obrotach. Uszkodzone narzędzia obróbkowe pękają najczęściej w tym czasie testowania.
- h) Stosować środki ochrony indywidualnej. Zależnie od potrzeb, nosić pełną maskę na twarz, osłonę oczu lub okulary ochronne. O ile zachodzi taka potrzeba, nosić maskę przeciwpyłową, ochronniki słuchu, rękawice ochronne, które ochronią przed opiłkami lub małymi cząstkami materiału. Oczy należy chronić przed latającymi w powietrzu ciałami obcymi, które mogą powstać w trakcie wykonywania różnych prac. Podczas prac powodujących powstawanie pyłu nosić maskę przeciwpyłową lub maskę do ochrony dróg oddechowych. Długotrwałe narażenie się na duży hałas może spowodować uszkodzenie słuchu.
- i) Dopilnować, aby inne osoby znajdowały się w bezpiecznej odległości od miejsca pracy elektronarzędzia. Każdy, kto wchodzi w obszar roboczy urządzenia, musi nosić środki ochrony indywidualnej.

- Odkłamki obrabianego przedmiotu lub pęknięte narzędzia mogą zostać wyrzucone w powietrze i spowodować obrażenia także poza bezpośrednim obszarem pracy.
- j) **Podczas prac, w trakcie których elektronarzędzie może natrafić na ukryte przewody elektryczne lub na własny kabel zasilający, urządzenie należy zawsze trzymać za izolowane uchwyty.** Kontakt z przewodem przewodzącym prąd może spowodować pojawienie się napięcia również w metalowych elementach urządzenia i spowodować porażenie prądem.
 - k) **Podczas uruchamiania elektronarzędzia należy je zawsze mocno trzymać.** W czasie rozruchu do pełnej prędkości obrotowej moment reakcji silnika może spowodować przekręcenie się elektronarzędzia.
 - l) **Jeśli to możliwe, użyć zacisków stolarskich do zamocowania obrabianego przedmiotu.** Podczas korzystania z elektronarzędzia nigdy nie trzymać małego detalu w jednej ręce i elektronarzędzia w drugiej. Dzięki zamocowaniu rączy przedmiotów operator ma wolne obie ręce, co pozwoli na lepszą kontrolę nad elektronarzędziem. Podczas cięcia okrągłych przedmiotów, takich jak drewniane kołki, pręty lub rury, mają one tendencję do „odjeżdżania”, przez co narzędzie robocze może się zaklinować i zostać odrzucone w kierunku operatora.
 - m) **Kabel sieciowy trzymać z dala od obracających się narzędzi obróbkowych.** Utrata kontroli nad narzędziem może doprowadzić do przecięcia lub wciągnięcia kabla sieciowego. W takiej sytuacji dłoń lub ramię może zetknąć się z obracającym się narzędziem obróbkowym.
 - n) **Nigdy nie odkładać elektronarzędzia, zanim obracające się narzędzie całkowicie się nie zatrzyma.** Obracające się narzędzie obróbkowe może zetknąć się z powierzchnią w miejscu odłożenia i spowodować utratę kontroli nad elektronarzędziem.
 - o) **Po wymianie narzędzi obróbkowych lub ustawieniu urządzenia dokręcić nakrętkę zacisku, uchwyt mocujący oraz inne elementy mocujące.** Luźne elementy mocujące mogą się nieoczekiwanie przestawić i spowodować utratę kontroli nad narzędziem; niezamocowane, obracające się elementy zostaną odrzucone z dużą siłą.
 - p) **Nie przenosić pracującego elektronarzędzia.** Obracające się narzędzie obróbkowe może zetknąć się z ubraniem i spowodować obrażenia ciała.
 - q) **Regularnie czyścić szczeliny wentylacyjne elektronarzędzia.** Dmuchawa silnika wciąga pył do obudowy, a duże nagromadzenie pyłu metali może spowodować zagrożenia elektryczne.
 - r) **Nigdy nie używać elektronarzędzia w pobliżu łatwopalnych materiałów.** Iskry mogą spowodować ich zapłon.
 - s) **Nigdy nie używać narzędzi obróbkowych wymagających chłodzenia cieczą.** Użycie wody lub innych ciekłych chłodziw może spowodować porażenie prądem elektrycznym.

Pozostałe wskazówki bezpieczeństwa dla wszystkich zastosowań

Odbicie i odpowiednie wskazówki bezpieczeństwa

Odbicie jest nagłą reakcją spowodowaną zaczepieniem się, zaklinowaniem obracającego się narzędzia obróbkowego, na przykład ściernicy, taśmy szlifierskiej, szczotki drucianej itd. Zaczepienie lub zaklinowanie powoduje nagłe zatrzymanie obracającego się narzędzia obróbkowego. Na skutek tego elektronarzędzie zostaje w niekontrolowany sposób odrzucone w kierunku przeciwnym do kierunku obrotów.

Gdy np. tarcza szlifierska zatnie lub zablokuje się w obrabianym przedmiocie, krawędź tarczy szlifierskiej zagłębiona w obrabianym przedmiocie może w nim utknąć i w ten sposób wytłamać tarczę lub spowodować odbicie. Tarcza szlifierska zostanie wówczas odrzucona w kierunku do lub od użytkownika, zależnie od kierunku obrotów w miejscu zablokowania. W takiej sytuacji tarcze szlifierskie mogą też pękać.

Odbicie jest skutkiem nieodpowiedniego lub wadliwego użytkowania elektronarzędzia. Można mu zapobiec stosując odpowiednie, opisane poniżej środki bezpieczeństwa.

- a) Elektronarzędzie trzymać mocno oburącz, ciało i ramiona ustawić w pozycji umożliwiającej przyjęcie siły odrzutu. Stosując odpowiednie środki ostrożności, operator może kontrolować siły odrzutu.
- b) Zachować szczególną ostrożność podczas pracy w strefie narożników, ostrych krawędzi itp. Zapobiegać odbijaniu się narzędzi obróbkowych od obrabianego detalu i ich blokowaniu się. Obracające się narzędzie obróbkowe ma tendencję do zakleszczania się w narożnikach, na ostrych krawędziach lub w chwili jego odbicia. Powoduje to utratę kontroli lub odbicie.
- c) Nie wolno używać ząbkowanych tarcz pilarskich. Takie narzędzia często powodują odbicie lub utratę kontroli nad elektronarzędziem.
- d) Narzędzie obróbkowe prowadzić w materiał zawsze w tym samym kierunku, w którym krawędź tnąca opuszcza materiał (odpowiada to kierunkowi, w którym wyrzucane są wióry). Prowadzenie elektronarzędzia w nieprawidłowym kierunku powoduje wybijanie krawędzi tnącej narzędzia obróbkowego z detalu, przez co elektronarzędzie jest ciągnięte w kierunku posuwu.
- e) W przypadku użycia pilników obrotowych, tarcz do cięcia, frezów wysokoobrotowych lub frezów z węgliku, należy zawsze mocno zamocować obrabiany detal. Już przy niewielkim skręceniu we wpuszczenie narzędzia te blokują się i mogą spowodować odrzut. W przypadku zaklinowania się tarczy do cięcia, tarcza z reguły pęka. W przypadku zaklinowania się pilników obrotowych, frezów wysokoobrotowych lub frezów z węgliku, narzędzie obróbkowe może wyskoczyć z wpustu i spowodować utratę kontroli nad elektronarzędziem.

Dodatkowe wskazówki bezpieczeństwa dotyczące szlifowania i cięcia

Szczególne wskazówki bezpieczeństwa dotyczące szlifowania i cięcia:

- a) Używać wyłącznie ściernic dopuszczonych do stosowania z elektronarzędziem oraz tylko do zalecanych zastosowań. Przykład: Nigdy nie należy szlifować boczną powierzchnią tarczy do cięcia. Tarcze do cięcia są przeznaczone do skrawania materiału krawędzią tarczy. Oddziaływanie sił na boczne powierzchnie ściernicy może spowodować jej pęknięcie.
- b) Do stożkowych i prostych kołków szlifierskich z gwintem używać wyłącznie nieuszkodzonych trzpieni o prawidłowej wielkości i długości, bez podcięcia na ramieniu. Odpowiednie trzpienie zapobiegają ryzyku pęknięcia.
- f) Unikać blokowania się tarczy tnącej lub stosowania zbyt dużego nacisku. Nie wykonywać zbyt głębokich cięć. Przeciążenie tarczy tnącej zwiększa jej obciążenie oraz podatność na przekoszenie lub blokowanie, a tym samym zwiększa możliwość odbicia lub pęknięcia tarczy.
- b) Unikać zbliżania rąk do obszaru przed i za obracającą się tarczą tnącą. Przesuwanie tarczy tnącej ręką w detalu w kierunku od siebie, w razie odbicia elektronarzędzie wraz z obracającą się tarczą zostanie odrzucone bezpośrednio w kierunku operatora.
- e) Jeśli tarcza tnąca ulegnie zakleszczeniu lub w razie przerwania pracy, należy wyłączyć urządzenie i odczekać do całkowitego zatrzymania się tarczy. Nigdy nie próbować wyjmowania obracającej się tarczy tnącej z rzazu, gdyż mogłoby to spowodować jej odrzut. Ustalić i usunąć przyczynę zakleszczenia się tarczy w materiale.
- f) Nie włączać ponownie elektronarzędzia, dopóki znajduje się ono w detalu. Zanim możliwe będzie ostrożne kontynuowanie cięcia odczekać, aż tarcza tnąca osiągnie pełną prędkość obrotową. W przeciwnym razie tarcza może się zaklinować, wyskoczyć z obrabianego przedmiotu lub spowodować odbicie.

- d) Duże płyty lub duże detale należy podprzeć, by zmniejszyć ryzyko odrzutu wskutek zakleszczenia się tarczy tnącej. Duże elementy obrabiane mogą wyginać się pod własnym ciężarem. Detal musi być podparty z obu stron tarczy, zarówno w pobliżu rzazu jak i przy jego krawędziach.
- h) Należy zachować szczególną ostrożność podczas cięcia wglębnego w istniejących ścianach oraz innych miejscach o ograniczonej widoczności. Zagłębiania w ścianę tarcza może trafić na przewody gazowe, wodne lub elektryczne, lub na inne objekty i może spowodować odbicie.

Dodatkowe wskazówki bezpieczeństwa dotyczące pracy ze szczotkami drucianymi

Specjalne wskazówki bezpieczeństwa dla pracy ze szczotkami drucianymi:

- a) Należy pamiętać, że nawet podczas normalnej pracy szczotka druciana traci fragmenty drutu. Nie przeciążać drutów przez stosowanie zbyt dużego docisku. Wyrzucane fragmenty druty mogą bardzo łatwo przebić się przez cienką odzież i/lub wniknąć przez skórę.
- b) Przed użyciem uruchomić szczotki na co najmniej jedną minutę z prędkością roboczą. Upewnić się, że w tym czasie żadna inna osoba nie znajdzie się przed lub w jednej linii z szczotką. Podczas docierania może dochodzić do rozrzucania luźnych kawałków drutu.
- c) Wirującą szczotkę drucianą skierować z dala od siebie. Podczas pracy z tymi szczotkami małe cząsteczki oraz drobne fragmenty drutu mogą odrywać się z dużą prędkością i wbijać się w skórę.

Zasady bezpieczeństwa użycia ładowarek

- To urządzenie może być używane przez dzieci od 8. roku życia oraz przez osoby o zmniejszonych zdolnościach fizycznych, sensorycznych lub umysłowych lub też osoby nieposiadające odpowiedniego doświadczenia i/lub wiedzy, wyłącznie pod nadzorem lub po przeszkoleniu w zakresie bezpiecznego użytkowania urządzenia oraz potencjalnych zagrożeń. Dzieciom nie wolno bawić się urządzeniem. Dzieciom bez opieki osób dorosłych nie wolno czyścić ani konserwować urządzenia.
- W przypadku uszkodzenia kabla zasilającego należy zlecić jego wymianę producentowi, w punkcie serwisowym lub osobie posiadającej odpowiednie kwalifikacje. Dzięki temu unikniemy poważnych zagrożeń.



Ładowarka nadaje się tylko do użytku w pomieszczeniach zamkniętych.

⚠ OSTRZEŻENIE!

- Nie używać urządzenia z uszkodzonym kablem, kablem sieciowym lub wtyczką. Uszkodzone kable sieciowe mogą powodować niebezpieczeństwo śmiertelnego porażenia prądem elektrycznym.

Obsługa

- Nigdy nie używać urządzenia niezgodnie z przeznaczeniem; stosować wyłącznie oryginalne części zamienne i akcesoria. Korzystanie z części lub akcesoriów innych, niż podano w instrukcji obsługi może być przyczyną obrażeń.

Ładowanie akumulatora

WSKAZÓWKA

- ▶ Nowy lub długo nieużywany akumulator należy naładować przed pierwszym / ponownym użyciem. Akumulator osiąga swoją pełną pojemność po 3-5 cyklach ładowania. Ładowanie trwa około 180 minut.

⚠ OSTROŻNIE! NIEBEZPIECZEŃSTWO OBRAŻEŃ!

- ▶ Przed wyjęciem wzgl. włożeniem akumulatora do ładowarki należy zawsze wyciągnąć wtyk z gniazda.
- ◆ Włożyć akumulator ④ do stacji ładowania ⑧. Można go włożyć tylko w pozycji zapewniającej właściwą biegunowość.
- ◆ Podłączyć zasilacz sieciowy ⑨ do gniazda zasilania.
- ◆ W czasie ładowania akumulatora świeci się czerwony wskaźnik stanu naładowania ⑩. Po zakończeniu procesu ładowania czerwona dioda wskaźnika stanu naładowania akumulatora ⑩ gaśnie i zapala się dioda zielona ⑩a. Akumulator ④ jest gotowy do użycia.

⚠ PRZESTROGA!

- ▶ Nigdy nie ładować akumulatora ponownie bezpośrednio po zakończeniu jego ładowania. Może to doprowadzić do przetładowania akumulatora.

Wkładanie / wyjmowanie akumulatora z urządzenia

Wkładanie akumulatora:

- ◆ Ustawić włącznik/wyłącznik ① w położenie „OFF”.
- ◆ Włożyć akumulator ④ do urządzenia, aż do jego zatrzaśnięcia.

Wyjmowanie akumulatora:

- ◆ Nacisnąć jednocześnie boczne przyciski odblokowania akumulatora ③ i wyjąć akumulator ④.

Sprawdzanie stanu naładowania akumulatora

Stan lub pozostały poziom naładowania jest wyświetlany przy włączonym urządzeniu na wskaźniku LED 2 w następujący sposób:

CZERWONY / POMARAŃCZOWY / ZIELONY = maksymalny poziom naładowania
 CZERWONY / POMARAŃCZOWY = średni poziom naładowania
 CZERWONY = niski poziom naładowania - naładować akumulator

Wkładanie / wymiana narzędzia i zacisku

- ◆ Nacisnąć i przytrzymać wciśniętą blokadę wrzeciona ⑦.
- ◆ Obrócić nakrętkę mocującą ⑤, aż do zatrzaśnięcia się blokady.
- ◆ Odkręcić nakrętkę mocującą ⑤ z gwintu za pomocą klucza dwustronnego ②②.
- ◆ Wyjąć ewentualnie włożone narzędzie.
- ◆ Najpierw wsunąć przewidziane narzędzie przez nakrętkę mocującą ⑤, następnie włożyć je w zacisk pasujący do chwytu narzędziowego ⑦.
- ◆ Nacisnąć i przytrzymać wciśniętą blokadę wrzeciona ⑦.
- ◆ Włożyć zacisk ⑦ do gwintowanej wkładki i dokręcić nakrętkę mocującą ⑤ kluczem obustronnym ②② na gwincie.

WSKAZÓWKA

- ▶ Do odkręcania i przykręcania śruby trzpieni mocujących 12 użyć stronę klucza obustronnego zakończoną wkrętakiem 22.

Włączanie i wyłączenie /ustawianie zakresu prędkości obrotowej**Włączanie / ustawianie zakresu prędkości obrotowej:**

- ◆ Ustawić włącznik / wyłącznik z regulacją prędkości obrotowej 1 w położenie między „1” a „MAX”.

Wyłączenie:

- ◆ Ustawić włącznik / wyłącznik z regulacją prędkości obrotowej 1 w położenie „OFF”.

Wskazówki dotyczące obróbki materiałów / narzędzi / zakresu prędkości obrotowej

- Bitów do frezowania 19 stali i żelaza używać z maksymalną prędkością obrotową.
- Ustalić zakres prędkości obrotowej dla obróbki cynku, stopów cynku, aluminium, miedzi i ołowiu przeprowadzając próby na próbkach materiału.
- Tworzywa sztuczne i materiały o niskiej temperaturze topnienia należy obrabiać z niską prędkością obrotową.
- Drewno należy obrabiać przy wysokich prędkościach obrotowych.
- Prace związane z czyszczeniem, polerowaniem i polerowaniem płócienną tarczą polerską należy wykonywać przy średnich prędkościach obrotowych.

Poniższe informacje są niewiążącymi zaleceniami. W czasie praktycznej pracy przetestuj, jakie narzędzie i jakie ustawienie jest optymalne dla obrabianego materiału.

Ustawianie odpowiedniej prędkości obrotowej:

Cyfra na regulatorze prędkości obrotowej ①	obrabiiany materiał		
1-3	Tworzywa sztuczne i materiały o niskiej temperaturze topnienia	6	Drewno twarde
4-5	Kamień, ceramika	Maks.	Stal
5	Drewno miękkie, metal		

Przykłady zastosowania / wybór odpowiedniego narzędzia:

Funkcja	Akcesoria	Zastosowanie	Naddatek (min-max) mm
Wiercenie	Wiertła HSS ⑪	Obróbka drewna	18-25 przy najmniejszym wiertle naddatek wynosi 10 mm
Frezowanie	Bity do frezowania ⑲	Prace wszechstronne; np. wykonywanie wgłębień, drążenie, formowanie, wykonywanie wpustów lub szczelin	18-25
Grawerowanie	Bity do grawerowania ⑳	Wykonywanie znakowania, majsterkowanie	18-25
Polerowanie, Odrzewianie OSTROŻNIE! Dociskać narzędzie tylko lekko do detalu.	Metalowa szczotka ⑮	Odrzewianie	9-15
	Tarcze polerskie ⑬	Obróbka różnych metali i tworzyw sztucznych, w tym metali szlachetnych, takich jak złoto lub srebro	12-18
Czyszczenie	Szczotki z tworzywa sztucznego ⑱	np. czyszczenie trudno dostępnych obudów z tworzyw sztucznych lub czyszczenie okolic zamka drzwiowego	9-15
Szlifowanie	Tarcze szlifierskie ⑭	Szlifowanie kamieni, drewna, drobne prace na twardych materiałach, takich jak ceramika lub stal stopowa	12-18
	Bity do szlifowania ㉑		10
Cięcie	Tarcze tnące ⑯ metal	Obróbka metalu, tworzyw sztucznych i drewna	12-18

- Maksymalna średnica kompozytowych materiałów ściernych, stożków szlifierskich oraz kołków szlifierskich z wkładką gwintowaną nie może przekraczać 55 mm. Maksymalna średnica akcesoriów do szlifowania papierem ściernym nie może przekroczyć 80 mm.

WSKAZÓWKA

- ▶ Maks. dopuszczalna długość trzpienia mocującego wynosi 33 mm.
- Akcesoria należy przechowywać w oryginalnym pudełku lub chronić je w inny sposób przed uszkodzeniem.
- Akcesoria przechowywać w suchym miejscu, nienarażonym na działanie agresywnych czynników.

Wskazówki i porady

- Wskutek wywierania zbyt dużego nacisku może dojść do pęknięcia zamocowanego narzędzia i/lub uszkodzenia detalu. Optymalne wyniki pracy można osiągnąć prowadząc narzędzie z równomierną prędkością obrotową i niskim naciskiem na detal.
- Podczas cięcia urządzenie należy trzymać zawsze obiema rękami.
- Przestrzegać danych i informacji znajdujących się w tabeli, aby zapobiec zetknięciu się końca wrzeciona z perforowaną podstawą narzędzia ściernego.

Konserwacja i czyszczenie

Urządzenie jest bezobsługowe.

- Urządzenie czyścić z zanieczyszczeń. Do tego celu używać suchej ściereczki.
- Na początku i na końcu dłuższego okresu nieużywania urządzenia należy wykonać pełne ładowanie akumulatora ④.
- W przypadku dłuższego przechowywania akumulatora litowego należy regularnie kontrolować jego poziom naładowania. Optymalny stan naładowania wynosi pomiędzy 50% a 80%. Optymalne warunki przechowywania to chłodne i suche miejsce.

! OSTRZEŻENIE!

- Naprawy urządzenia zlecać wyłącznie w serwisie lub elektrykowi, stosując tylko oryginalne części zamienne. Zapewni to właściwy poziom bezpieczeństwa użytkownika urządzenia po naprawie.

! OSTRZEŻENIE!

- Wymianę wtyku lub przewodu zasilającego powierzać wyłącznie producentowi elektronarzędzia lub autoryzowanemu serwisowi. Zapewni to właściwy poziom bezpieczeństwa użytkownika urządzenia po naprawie.

WSKAZÓWKA

- ▶ Niewymienione tutaj części zamienne (np. akumulator, ładowarka) można zamówić za pośrednictwem naszej infolinii serwisowej.

Utylizacja



Opakowanie urządzenia wykonane jest z materiałów przyjaznych dla środowiska naturalnego, które można oddać w lokalnych punktach zbiórki.



Urządzeń elektrycznych nie wolno wyrzucać razem z odpadami domowymi!

Zgodnie z dyrektywą europejską 2012/19/EU zużyte elektronarzędzia należy zbierać oddzielnie i poddawać procesowi odzysku z poszanowaniem zasad ochrony środowiska naturalnego.



Akumulatorów nie wolno wyrzucać razem z odpadami domowymi!

⚠ OSTRZEŻENIE!

- Przed utylizacją urządzenia należy wyjąć z niego akumulator!

Uszkodzone lub zużyte akumulatory należy poddać procesowi recyklingu zgodnie z dyrektywą 2006/66/EC. Akumulatory i/lub urządzenie należy oddać we właściwym punkcie zbiórki odpadów.

W celu uzyskania informacji na temat możliwości utylizacji zużytych narzędzi elektrycznych / akumulatorów należy skontaktować się z lokalnym urzędem gminy lub miasta.

Gwarancja

Kompernaß Handels GmbH

Szanowny Kliencie,

To urządzenie objęte jest 3-letnią gwarancją, licząc od daty zakupu. W przypadku wad tego produktu, masz gwarantowane ustawowo prawa w stosunku sprzedawcy. Te ustawowe prawa nie są ograniczone przez nasze opisane poniżej warunki gwarancji.

Warunki gwarancji

Okres gwarancji rozpoczyna się od daty zakupu. Należy zachować oryginalny paragon (dowód zakupu) na przyszłość. Ten dokument jest wymagany jako dowód zakupu.

Jeżeli w ciągu trzech lat od daty zakupu produktu ujawni się wada materiałowa lub produkcyjna, produkt zostanie wedle naszego uznania nieodpłatnie naprawiony lub wymieniony na nowy. Warunkiem spełnienia tego świadczenia gwarancyjnego jest dostarczenie uszkodzonego urządzenia wraz z dowodem zakupu (paragonem fiskalnym) oraz krótkim opisem, na czym polega wada oraz kiedy wystąpiła.

Jeżeli wada jest objęta naszą gwarancją, otrzymasz z powrotem naprawiony lub nowy produkt. Wykonanie naprawy lub wymiana produktu nie rozpoczyna biegu nowego okresu gwarancji.

Okres gwarancji i ustawowe roszczenia gwarancyjne

Wykonanie usługi gwarancyjnej nie przedłuża okresu gwarancji. Dotyczy to również wymienionych i naprawionych części. Wszelkie szkody i wady wykryte w chwili zakupu należy zgłosić bezpośrednio po rozpakowaniu urządzenia. Po upływie okresu gwarancji wszelkie naprawy są wykonywane odpłatnie.

Zakres gwarancji

Urządzenie zostało starannie wyprodukowane i poddane przed wysyłką skrupulatnej kontroli jakości.

Gwarancja dotyczy wad materiałowych lub produkcyjnych. Niniejsza gwarancja nie obejmuje części produktów, które są narażone na normalne zużycie, a zatem mogą być uważane za części ulegające zużyciu, ani uszkodzeń części łatwo łamliwych, np. przełączniki, akumulatory, formy do pieczenia lub części wykonane ze szkła.

Niniejsza gwarancja traci swoją ważność, jeśli produkt został uszkodzony, nie używano go prawidłowo lub nie serwisowano należycie. W celu zapewnienia prawidłowego stosowania produktu należy ściśle przestrzegać wszystkich instrukcji wymienionych w instrukcjach obsługi. Należy bezwzględnie unikać zastosowania oraz postępowania, których odradza się w instrukcji obsługi lub przed którymi się w niej ostrzega.

Produkt przeznaczony jest wyłącznie do użytku domowego, a nie do zastosowań komercyjnych. Niewłaściwe użytkowanie urządzenia, używanie go w sposób niezgodny z jego przeznaczeniem, użycie siły lub ingerencja w urządzenie, dokonywana poza naszymi autoryzowanymi punktami serwisowymi, powodują utratę gwarancji.

Realizacja zobowiązań gwarancyjnych

W celu zapewnienia szybkiego załatwienia sprawy, postępuj zgodnie z poniższymi wskazówkami:

- W przypadku wszelkich pytań przygotuj paragon fiskalny oraz numer artykułu (np. IAN 12345) jako dowód zakupu.
- Numer artykułu można znaleźć na grawerowanej tabliczce znamionowej, umieszczonej na stronie tytułowej instrukcji (poniżej po lewej) lub na naklejce z tyłu albo na spodzie.
- W przypadku wystąpienia błędów działania lub innych wad, prosimy o kontakt z odpowiednim działem serwisu **telefonicznie** lub **przez e-mail**.
- Zarejestrowany jako wadliwy produkt możesz wtedy wraz z dołączonym dowodem zakupu (paragonem) oraz opisem i datą wystąpienia usterki wystąpić nieodpłatnie na przekazany wcześniej adres serwisu.



Na stronie www.lidl-service.com możesz pobrać te i wiele innych instrukcji, filmów o produktach oraz oprogramowanie.

Serwis



Serwis Polska

Tel.: 22 397 4996

E-Mail: kompernass@lidl.pl

IAN 279872

Importer

Pamiętaj, że poniższy adres nie jest adresem serwisu. Skontaktuj się najpierw z odpowiednim punktem serwisowym.

KOMPERNASS HANDELS GMBH

BURGSTRASSE 21

44867 BOCHUM

GERMANY

www.kompernass.com

Tłumaczenie oryginalnej deklaracji zgodności

My, KOMPERNASS HANDELS GMBH, osoba odpowiedzialna za dokumentację: Semi Uguzlu, BURGSTR. 21, 44867 BOCHUM, NIEMCY, oświadczamy niniejszym, że produkt ten jest zgodny z następującymi normami, dokumentami normatywnymi oraz dyrektywami WE:

**Dyrektywa maszynowa
(2006 / 42 / EC)**

**Dyrektywa niskonapięciowa WE
(2014 / 35 / EU)**

**Dyrektywa w sprawie kompatybilności elektromagnetycznej
(2014 / 30 / EU)**

**Dyrektywa w sprawie stosowania substancji szkodliwych dla zdrowia
(2011 / 65 / EU)**

Zastosowane normy zharmonizowane:

EN 60745-1:2009/A11:2010

EN 60745-2-23:2013

EN 55014-1:2006/A2:2011

EN 55014-2:2015

EN 60335-1:2012/A11:2014

EN 60335-2-29:2004/A2:2010

EN 61000-3-2:2014

EN 61000-3-3:2013

EN 62233:2008

Oznaczenie typu maszyny:

Akumulatorowa szlifierko-wiertarka PFBS 12 A1

Rok produkcji: 07-2016

Numer seryjny: IAN 279872

Bochum, dnia 08.06.2016



Semi Uguzlu

- Dyrektor ds. jakości -

Zastrzegamy sobie prawo do wprowadzania zmian technicznych w ramach procesu udoskonalania urządzenia.

Turinys

Ižanga	32
Naudojimas pagal paskirtį	32
Dalys	32
Tiekiamas rinkinys	32
Techniniai duomenys	32
Elektrinių įrankių naudojimo bendrieji saugos nurodymai	33
1. Darbo vietos sauga	33
2. Elektros sauga	33
3. Žmonių sauga	34
4. Elektrinio įrankio naudojimas ir elgsena su juo	34
5. Akumuliatorinio įrankio naudojimas ir elgsena su juo	35
6. Klientų aptarnavimas	35
Bendrieji saugos nurodymai	35
Kiti bendrieji saugos nurodymai	37
Šlifavimui ir pjovimui šlifavimo disku taikomi papildomi saugos nurodymai	38
Darbui su vieliniais šepečiais taikomi papildomi saugos nurodymai	38
Krovikliams taikomi saugos nurodymai	39
Naudojimas	39
Akumuliatoriaus bloko įkrovimas	39
Akumuliatoriaus bloko įdėjimas į įrankį ir išėmimas	40
Akumuliatoriaus įkrovos lygio patikrinimas	40
Įrankio / spyruokliuojančiosios įvorės įdėjimas / keitimas	40
Įjungimas ir išjungimas / greičio intervalo nustatymas	40
Informacija apie medžiagų apdirbimą / įrankį / greičio intervalą	40
Patarimai ir gudrybės	42
Techninė priežiūra ir valymas	42
Utilizavimas	43
Kompernaß Handels GmbH garantija	43
Priežiūra	44
Importuotojas	44
Atitikties deklaracijos originalo vertimas	45

TIKSLUS AKUMULIATORINIS GRĘŽTUVAS–ŠLIFUOKLIS PFBS 12 A1

Įžanga

Sveikiname įsigijus naują įrankį. Jūs pasirinkote kokybišką gaminį. Naudojimo instrukcija yra šio gaminio dalis. Joje pateikta svarbių saugos, naudojimo ir utilizavimo nurodymų. Prieš pradėdami naudoti gaminį, susipažinkite su visais naudojimo ir saugos nurodymais. Gaminį naudokite tik taip, kaip aprašyta, ir tik nurodytais naudojimo tikslais. Perduodami gaminį tretiesiems asmenims, kartu perduokite visus jo dokumentus.

Naudojimas pagal paskirtį

Naudojant tinkamus, tiekiamame rinkinyje esančius priedus, akumuliatoriniu tiksluoju gręžtuvu-šlifuko liu sausose patalpose galima gręžti, frezuoti, graviruoti, poliruoti, valyti, šlifuoti, pjauti medienos, metalo, plastiko, keramikos arba uolienos ruošinius. Bet koks kitoks įrankio naudojimas ar keitimas laikomas naudojimu ne pagal paskirtį ir gali kelti didelį pavojų. Gamintojas neprisiima jokios atsakomybės už žalą, atsiradusią netinkamai naudojant įrankį. Įrankis nėra skirtas komerciniam naudojimui.

Dalys

Akumuliatorinis tikslusis gręžtuvas-šlifuko lius:

- 1 Įjungimo / išjungimo jungiklis / sukimosi greičio reguliatorius
- 2 Akumuliatoriaus LED indikatoriai
- 3 Akumuliatoriaus atlaisvinimo mygtukas
- 4 Akumuliatoriaus blokas
- 5 Užveržimo veržlė
- 6 Jungiamoji veržlė
- 7 Suklio fiksatorius

Akumuliatoriaus kroviklis (žr. A pav.):

- 8 Įkrovimo įtaisas
- 9 Maitinimo adapteris
- 10 Įkrovos lygio indikatorius, raudonas
- 10a Įkrovos lygio indikatorius, žalias

Priedai (žr. B paveikslėlių):

- 11 6 HSS grąžtai
- 12 2 įtvarei įrankiams
- 13 3 poliravimo diskai
- 14 4 šlifavimo diskai
- 15 1 metalinis šepetys
- 16 16 pjovimo diskų
- 17 5 spyruokliuojančiosios įvorės
- 18 2 plastikiniai šepėčiai
- 19 3 frezavimo antgaliai
- 20 2 graviravimo antgaliai
- 21 5 šlifavimo antgaliai
- 22 1 kombinuotasis veržliaraktis

Tiekiamas rinkinys


- 1 tikslus akumuliatorinis gręžtuvas-šlifuko lius
- 1 įkrovimo įtaisas su maitinimo adapteriu
- 1 priedų rinkinys (50 dalių)
- 1 naudojimo instrukcija

Techniniai duomenys

Modelis PFBS 12 A1:

Vardinė įtampa: 12 V \equiv (nuolatinė srovė)

Vardinis sukimosi greitis
tuščiąja veika: n 5 000–25 000 / min.¹
Maks. disko skersmuo (ø): 25 mm

Gręžtuvo griebtuvo užveržimo
riba:  maks. skersmuo (ø)
3,2 mm

Akumuliatoriaus blokas PFBS 12 A1-1:

ĮĖJIMAS / „Input“:

Vardinė įtampa: 12 V \equiv (nuolatinė srovė)
Talpa: 1 300 mAh
Tipas: LIČIO JONŲ

Kroviklis PFBS 12 A1-2:

Pirminis (įėjimas / „Input“):

Vardinė įtampa: 100–240 V~, 50–60 Hz
(Kintamoji srovė)
Vardinė galia: 0,3 A

Antrinis (išėjimas / „Output“):

Vardinė įtampa: 14,5 V \equiv (nuolatinė srovė)
 Vardinė srovė: 450 mA
 Įkrovimo trukmė: maždaug 3 valandos
 Apsaugos klasė: II / \square (dviguba izoliacija)

Skleidžiamo triukšmo vertė:

Skleidžiamo triukšmo išmatuotoji vertė nustatyta pagal standartą EN 60745. Elektrinio įrankio įprastai skleidžiamas A svertinis triukšmo lygis yra toks:

Garso slėgio lygis: $L_{pA} = 60,5 \text{ dB (A)}$
 Neapibrėžtis: $K_{pA} = 3 \text{ dB}$
 Garso galios lygis: $L_{WA} = 71,5 \text{ dB (A)}$
 Neapibrėžtis K: $K_{WA} = 3 \text{ dB}$

Dėvėkite klausos apsaugos priemones!

Bendroji vibracijos vertė:

$a_h = 1,07 \text{ m/s}^2$
 Neapibrėžtis K: $1,5 \text{ m/s}^2$

NURODYMAS

► Šiuose nurodymuose deklaruotas vibracijos lygis išmatuotas standartiniu matavimo metodu ir gali būti naudojamas vienam įrankiui palyginti su kitu. Nurodyta vibracijos intensyvumo vertė taip pat galima vadovautis siekiant atlikti pirminį poveikio vertinimą.

⚠️ ĮSPĖJIMAS!

► Vibracijos lygis priklauso nuo elektrinio įrankio naudojimo būdo ir kai kuriais atvejais gali viršyti šiose instrukcijose deklaruotą vertę. Šitaip nuolat naudojant elektrinį įrankį vibracinis poveikis gali būti įvertintas nepakankamai. Stenkitės kuo labiau sumažinti vibracinį poveikį. Vibracinį poveikį galima sumažinti, pavyzdžiui, mūvint pirštines, kai dirbate su įrankiu ir ribojant darbo laiko trukmę. Taip pat būtina atsižvelgti į visas įrankio naudojimo ciklo dalis (pvz., laikotarpus, kai elektrinis įrankis yra išjungtas, ir laikotarpus, kai įrankis įjungtas, tačiau veikia nenaudojamas).

Elektrinių įrankių naudojimo bendrieji saugos nurodymai



⚠️ ĮSPĖJIMAS!

► Perskaitykite visus saugos ir kitus nurodymus. Nesilaikant saugos ir kitų nurodymų, kyla pavojus patirti elektros smūgi, sukelti gaisrą ir (arba) sunkiai susižaloti.

Išsaugokite visus saugos ir kitus nurodymus – jų gali prireikti ateityje.

Saugos nurodymuose vartojama sąvoka „elektrinis įrankis“ reiškia į elektros tinklą (maitinimo laidu) jungiamus elektrinius įrankius ir akumuliatoriais maitinamus elektrinius įrankius (be maitinimo laidu).

1. Darbo vietos sauga

- a) Darbo zona turi būti švari ir gerai apšviesta. Jei darbo zona netvarkinga ar neapšviesta, gali įvykti nelaimingas atsitikimas.
- b) Nenaudokite elektrinio įrankio sprogoje aplinkoje, kurioje yra degių skysčių, dujų ar dulkių. Elektriniai įrankiai įskelia kibirkščių ir jos gali uždegti dulkes ar garus.
- c) Kai naudojate elektrinį įrankį, neleiskite ar-tintis vaikams ar kitiems asmenims. Atitraukus dėmesį, įrankis gali tapti nevaldomas.

2. Elektros sauga

- a) Elektrinio įrankio jungiamasis kištukas turi tikti elektros lizdai. Jokiu būdu nedarykite kokių nors kištuko keitimų. Kai elektrinis įrankis apsaugotas įžeminimu, nenaudokite adapterių. Originalūs kištukai ir tinkami elektros lizdai sumažina elektros smūgio pavojų.
- b) Stenkitės nesiliesti prie įžemintų paviršių, pavyzdžiui, vamzdžių, šildymo įrenginių, viryklė ir šaldytuvų. Kai kūnas įžemintas, padidėja elektros smūgio pavojus.
- c) Saugokite elektrinius įrankius nuo lietaus ar drėgmės. Į elektrinio įrankio vidų patekus vandens, padidėja elektros smūgio pavojus.

- d) Laidas neskirtas elektriniam įrankiui nešti, pakabinti, jo negalima tempti norint ištraukti kištuką iš elektros lizdo. Saugokite laidą nuo karščio, aštrių briaunų ir judančių įrankio dalių, neištepkite jo alyva. Pažeidus laidus arba jiems susiraižgius, padidėja elektros smūgio pavojus.
- e) Dirbdami su elektriniu įrankiu lauke, naudokite tik darbui lauke skirtus ilginamuosius laidus. Naudojant lauko darbams tinkamą ilgiamąjį laidą sumažėja elektros smūgio pavojus.
- f) Jei elektrinis įrankis neišvengiamai turi būti naudojamas drėgnoje aplinkoje, naudokite pažaidos srove valdomą jungtuvą. Naudojant pažaidos srove valdomą jungtuvą sumažėja elektros smūgio pavojus.

3. Žmonių sauga

- a) Visada būkite atidūs, sutelkę dėmesį į tai, ką darote, ir laikykitės įprastų darbo su elektriniu įrankiu taisyklių. Nenaudokite elektrinių įrankių, jei jaučiate nuovargį, vartojote narkotinių medžiagų, alkoholio ar vaistų. Menkiausias neapdairumas dirbant su elektriniu įrankiu gali būti sunkių sužalojimų priežastis.
- b)  Naudokite asmenines apsaugos priemones ir būtinai užsidėkite apsauginius akinius. Elektrinio įrankio tipui ir jo naudojimo būdui tinkamos asmeninės apsaugos priemonės, pvz., kaukė nuo dulkių, neslystanti saugi avalynė, apsauginis šalmas ar klausos apsaugos priemonės, sumažina susižalojimo pavojų.
- c) Saugokitės, kad netyčia neįjungtumėte įrankio. Prieš jungdami elektrinį įrankį į elektros tinklą ir (arba) prie akumuliatoriaus, prieš pakeldami ar nešdami įsitikinkite, kad įrankis yra išjungtas. Jei nešdami elektrinį įrankį pirštą laikysite ant jungiklio ar į elektros tinklą įjungsite jį, gali įvykti nelaimingas atsitikimas.

- d) Prieš įjungdami elektrinį įrankį pašalinkite reguliavimo įrankius arba veržliarakčius. Besisukančioje įrankio dalyje esantis įrankis ar raktas gali sužaloti.
- e) Venkite nenatūralios kūno padėties. Stovėkite stabiliai, visada išlaikykite pusiausvyrą. Taip geriau galėsite kontroliuoti elektrinį įrankį netikėtose situacijose.
- f) Vilkėkite tinkamus drabužius. Nevilkėkite plačių drabužių, nenešioti papuošalų. Plaukus, drabužius ir pirštines saugokite nuo judančių dalių. Judančios dalys gali įtraukti laisvus drabužius, papuošalus ar ilgus plaukus.
- g) Jei prie įrankio galima prijungti dulkių siurbimo ar dulkių surinkimo įrenginių, išitikinkite, kad šie įrenginiai prijungti ir naudojami tinkamai. Susiurbiant dulkes, sumažėja dulkių keliamas pavojus.

4. Elektrinio įrankio naudojimas ir elgsena su juo

- a) Venkite įrankio perkrovų. Naudokite darbui tinkamą elektrinį įrankį. Tinkamu elektriniu įrankiu darbą nurodytoje įrankio naudojimo srityje atlikite geriau ir saugiau.
- b) Nenaudokite elektrinio įrankio, jei jo jungiklis pažeistas. Neįsijungiantis arba neišsijungiantis elektrinis įrankis kelia pavojų ir jį reikia sutaisyti.
- c) Prieš reguliuodami, padėdami įrankį ar keisdami jo priedus, ištraukite kištuką iš elektros lizdo ir (arba) išimkite akumuliatorių. Ši atsargumo priemonė neleis elektriniam įrankiui netyčia įsijungti.
- d) Nenaudojamus elektrinius įrankius laikykite vaikams nepasiekiamoje vietoje. Neleiskite įrankio naudoti su juo nesusipažinusiems ar šių nurodymų neperskaičiusiems žmonėms. Naudojami patirties neturinčių žmonių, elektriniai įrankiai kelia pavojų.

- e) Rūpestingai prižiūrėkite elektrinius įrankius. Patikrinkite, ar tinkamai veikia ir ar neužsikirtusios judančios dalys, ar nėra elektrinio įrankio veikimą bloginančių sulūžusių arba apgadintų dalių. Prieš naudodami įrankį pasirūpinkite, kad sugadintos dalys būtų sutaisytos. Daug nelaimingų atsitikimų įvyksta dėl netinkamai prižiūrimų elektrinių įrankių.
- f) Pjovimo įrankiai turi būti aštrūs ir švarūs. Rūpestingai prižiūrimi pjovimo įrankiai su aštriais ašmenimis rečiau įstringa, juos lengviau valdyti.
- g) Elektrinį įrankį, priedus, papildomus darbo įrankius ir kt. naudokite vadovaudamiesi šiais nurodymais. Taip pat įvertinkite darbo sąlygas ir atliktiną darbą. Elektrinius įrankius naudojant nenumatytiems tikslams gali susidaryti pavojingų situacijų.

5. Akumulatorinio įrankio naudojimas ir elgsena su juo

- a) Akumuliatorių įkraukite tik gamintojo rekomenduojamais krovikliais. Tam tikro tipo akumulatoriams skirtą kroviklį naudojant kitokiems akumulatoriams įkrauti gali kilti gaisras.
- b) Elektriniuose įrankiuose naudokite tik jiems numatytus akumulatorius. Naudojant kitokius akumulatorius kyla pavojus susižaloti arba sukelti gaisrą.
- c) Nenaudojamą akumuliatorių laikykite atokiai nuo svaržėlių, monetų, raktų, vinių, varžtų ar kitokių nedidelių metalinių daiktų, galinčių sujungti kontaktus. Įvykus akumulatoriaus kontaktų trumpajam jungimui, kyla pavojus nusidenginti arba sukelti gaisrą.
- d) Iš netinkamai naudojamo akumulatoriaus gali ištekėti skysčio. Venkite prisiliesti prie skysčio. Jei taip netyčia atsitiktų, nuplaukite jį vandeniu. Jei skysčio patektų į akis, papildomai kreipkitės į gydytoją. Ištekėjęs akumulatoriaus skystis gali sudirginti odą arba nudenginti.



ATSARGIAI! SPROGIMO PAVOJUS!
Niekada nebandykite įkrauti neįkraunamųjų baterijų.



Saugokite akumuliatorių nuo karščio, taip pat, pavyzdžiui, nuo nuolatinių tiesioginių saulės spindulių, ugnies, vandens ir drėgmės. Kyla sproginimo pavojus.



6. Klientų aptarnavimas

- a) Elektrinį įrankį gali remontuoti tik kvalifikuoti specialistai ir tik naudodami originalias atsargines dalis. Taip užtikrinama, kad elektrinis įrankis išliks saugus.

Bendrieji saugos nurodymai

Šlifavimui, šlifavimui švitrinu popieriumi, darbui su vieliniais šepečiais, poliravimui, frezavimui ir pjovimui šlifavimo disku taikomi bendrieji saugos nurodymai:

- a) Šį elektrinį įrankį galima naudoti kaip šlifukoklį, šlifavimo švitrinu popieriumi šlifukoklį, vielinį šepetį, poliruoklį, pjovimo šlifavimo disku ir frezavimo įrankį. Vadovaukitės visais saugos ir kitais nurodymais, paveikslėliais ir duomenimis, pateiktais su šiuo įrankiu. Nesilaikant tolesnių nurodymų, galima patirti elektros smūgį, sukelti gaisrą ir (arba) sunkiai susižeisti.
- b) Nenaudokite priedų, kurių gamintojas šiam elektriniam įrankiui nėra specialiai numatęs ar nerekomenduoja. Net jei priedus galima pritvirtinti prie jūsų elektrinio įrankio, tai nereiškia, kad naudojamas elektrinis įrankis bus saugus.
- c) Papildomo darbo įrankio leidžiamasis sukimosi greitis turi būti ne mažesnis nei ant elektrinio įrankio nurodytas didžiausias sukimosi greitis. Greičiau nei leidžiamuoju greičiu besisukantys priedai gali lūžti arba nuskrieti.
- d) Papildomo darbo įrankio išorinis skersmuo ir storis turi atitikti jūsų elektrinio įrankio matmenis. Netinkamo dydžio papildomų darbo įrankių negalima tinkamai uždengti arba kontroliuoti.

- e) Šlifavimo diskai, šlifavimo velenai ir kiti priedai turi tiksliai atitikti jūsų elektrinio įrankio suklio arba spyruokliuojančiosios įvorės dydį. Elektrinio įrankio laikiklio tiksliai neatitinkantys papildomi darbo įrankiai sukasi netolygiai, labai vibruoja ir gali tapti nevaldomi.
- f) Ant įtvoro pritaisytus diskus, šlifavimo cilindrus, pjovimo įrankius ar kitus priedus būtina visiškai įdėti į spyruokliuojančiąją įvorę arba griebtuvą. Įtvoro iškyša ir (arba) matoma dalis tarp abrazyvinio disko ir spyruokliuojančiosios įvorės arba griebtuvo turi būti minimali. Jei įtvoras nepakankamai priveržtas arba abrazyvinis diskas per daug išsikišęs, papildomas darbo įrankis gali atsilaisvinti ir būti išsviestas dideliu greičiu.
- g) Nenaudokite apgadintų papildomų darbo įrankių. Papildomus darbo įrankius kas kartą prieš naudodami patikrinkite, pvz., ar šlifavimo diskai neištrupėję, neįtrūkę, ar šlifavimo velenai neįtrūkę, nenudilę, visiškai nenusidėvėję, ar vieliniuose šepėčiuose nėra atsilaisvinsiuų arba nulūžusių vielučių. Jei elektrinis įrankis arba papildomas darbo įrankis nukrito, patikrinkite, ar jis nepažeistas arba naudokite nepažeistą papildomą darbo įrankį. Jei papildomą darbo įrankį patikrinote ir įdėjote, pasirūpinkite, kad jūs ir netoliese esantys žmonės būtų už besisukančio papildomo darbo įrankio plokštumos ribų, ir leiskite įrankiui apie vieną minutę sukintis didžiausiuoju greičiu. Apgadinti papildomi darbo įrankiai dažniausiai sulūžta šiuo tikrinimo tarpsniu.
- h) Naudokite asmenines apsaugos priemones. Atsižvelgdami į tai, kam įrankį naudojate, naudokite visą veidą dengiančias apsaugos priemones, akių apsaugos priemones arba apsauginius akinius. Jei reikia, dėvėkite kaukę nuo dulkių, klausos apsaugos priemones, apsaugines pirštines ar specialią prijuostę, apsaugosiančias jus nuo smulkių šlifavimo dulkių ir medžiagos dalelių. Apsaugokite akis nuo skraidančių svietimkūnių, susidarancių naudojant įrankį. Kaukė nuo dulkių arba respiratorius sulaiko naudojant įrankį susidarancias dulkes. Ilgesni laiką būnant triukšmingoje aplinkoje, gali susilpnėti klausa.
- i) Užtikrinkite, kad kiti asmenys būtų saugiu atstumu iki jūsų darbo zonos. Visi darbo zonoje esantys asmenys privalo naudoti asmenines apsaugos priemones. Ruošinio nuolaužos arba sulūžę papildomi darbo įrankiai gali nuskrietti ir sužaloti netgi ne tiesioginėje darbo zonoje esančius asmenis.
- j) Įrankį laikykite tik už izoliuotų rankenų, jei dirbant papildomas darbo įrankis gali užkliudyti paslėptus elektros laidus arba paties įrankio maitinimo laidą. Prisilietus prie laido, kuriame yra įtampa, įtampa gali persiduoti metalinėms įrankio dalims ir sukelti elektros smūgi.
- k) Visada tvirtai laikykite įjungiamą įrankį. Paleidus variklį, iki didžiausiojo sukimosi greičio įsisukdamas elektrinis įrankis gali pasisukti.
- l) Jei įmanoma, ruošinį įtvirtinkite veržtuvuose. Niekada nedirbkite su elektriniu įrankiu mažą ruošinį laikydami vienoje, o elektrinį įrankį – kitoje rankoje. Įtvirtinus mažus ruošinius, abi rankos bus laisvos ir galėsite geriau kontroliuoti elektrinį įrankį. Pjaustant apvalius ruošinius, pvz., medvynes, strypus ar vamzdžius, šie gali nuriudėti; jei jie prispaustų papildomą darbo įrankį, šis gali būti blokštas jūsų link.
- m) Jungiamąjį laidą saugokite nuo besisukančių papildomų darbo įrankių. Nevaldomu tapęs įrankis gali perpjauti arba pagriebti laidą, o jūsų plaštaka ar ranka gali patekti į besisukančių papildomą darbo įrankį.
- n) Niekada nepadėkite į šalį elektrinio įrankio, kol papildomas darbo įrankis visiškai nesustojo. Besisukančiam papildomam darbo įrankiui prisilietus prie paviršiaus, ant kurio jį dedate, elektrinis įrankis gali tapti nevaldomas.
- o) Pakeitę papildomus darbo įrankius ar įrankio nustatymus, tvirtai priveržkite spyruokliuojančiosios įvorės veržlę, griebtuvą ar kitas tvirtinimo detales. Atsilaisvinsios tvirtinimo detalės gali netikėtai pasislinkti iš savo vietos ir įrankis taps nevaldomas; nepritvirtintos, besisukančios dalys išsviedžiamos didele jėga.
- p) Niekada neneškite veikiančio elektrinio įrankio. Besisukantis papildomas darbo įrankis gali pagriebti atsitiktinai su juo susilietusius jūsų drabužius ir įsigręžti į jūsų kūną.

- a) **Reguliariai valykite savo elektrinio įrankio vėdinimo angas.** Variklio ventiliatorius įtraukia dulkes į korpusą; susikaupus dideliame metalo dulkių kiekiui, gali kilti su elektra susijusių pavojų.
- o) **Nenaudokite elektrinio įrankio šalia degių medžiagų.** Kibirkštys gali uždegti šias medžiagas.
- s) **Nenaudokite papildomų darbo įrankių, kuriems reikia skysto aušinimo skysčio.** Naudojant vandenį ar kitus skystus aušinimo skysčius, galima patirti elektros smūgį.

Kiti bendrieji saugos nurodymai

Atatranka ir su ja susiję saugos nurodymai

Atatranka yra staigi reakcija, įvykstanti besisukančiam papildomam darbo įrankiui, pvz., šlifavimo diskui, šlifavimo juostai, vieliniam šepetėliui ir t. t., įstrigus arba užsiblokavus. Įstrigęs arba užsiblokavęs besisukantis papildomas darbo įrankis staiga sustoja. Dėl to nevaldomas elektrinis įrankis sviedžiamas papildomo darbo įrankio sukimosi kryptiai priešinga kryptimi.

Pvz., šlifavimo diskui užsikirtus arba užsiblokavus ruošinyje, ruošinio pjūvyje esanti šlifavimo disko briauna gali įstrigti ir šlifavimo diskas gali iššokti arba sukelti atatranką. Tokiu atveju, atsižvelgiant į disko sukimosi kryptį blokavimo vietoje, šlifavimo diskas juda dirbančiojo link arba tolyn nuo jo. Šlifavimo diskas gali ir lūžti.

Atatranka yra elektrinio įrankio netinkamo arba neteisingo naudojimo pasekmė. Jos išvengiama imant tinkamų toliau aprašytų atsargumo priemonių.

- a) **Tvirtai laikykite elektrinį įrankį, o rankos ir kūnas turi būti tokioje padėtyje, kuri leistų pasipriešinti atatrankos jėgai.** Naudodamas tinkamas atsargumo priemonės, dirbantysis gali suvaldyti atatrankos jėgas.
- b) **Todėl ypač būkite atsargūs dirbdami prie kampų, aštrių briaunų ir t. t. Užtikrinkite, kad papildomi darbo įrankiai nuo ruošinio neatšoktų ir jame neįstrigtų.** Ties kampais, aštriomis briaunomis arba atšokęs besisukantis papildomas darbo įrankis dažnai įstringa. Dėl to jis tampa nevaldomas arba įvyksta atatranka.
- c) **Nenaudokite dantytųjų pjovimo diskų.** Tokie papildomi darbo įrankiai dažnai sukelia atatranką arba elektrinis įrankis tampa nevaldomas.
- d) **Papildomą darbo įrankį į medžiagą visada įleiskite ta pačia kryptimi, kuria asmenys išlenda iš medžiagos (tai yra ta pati kryptis, kuria išmetamos pjūvenos).** Jei elektrinį įrankį vedžiosite neteisinga kryptimi, papildomo darbo įrankio asmenys iššoks iš ruošinio ir patrauks elektrinį įrankį šia pastūmos kryptimi.
- e) **Naudodami frezavimo antgalius, pjovimo diskus, dideliu greičiu besisukančius frezavimo įrankius arba kietlydinio frezavimo įrankius, visada gerai priveržkite ruošinį.** Vos persikreipę išpjovoje, šie papildomi darbo įrankiai įstringa ir gali sukelti atatranką. Įstrigus pjovimo diskui, šis paprastai sulūžta. Įstrigus frezavimo antgaliams, dideliu greičiu besisukantiems frezavimo įrankiams arba kietlydinio frezavimo įrankiams, papildomas darbo įrankis gali iššokti iš išpjovos ir elektrinis įrankis taps nevaldomas.

Šlifavimui ir pjovimui šlifavimo disku taikomi papildomi saugos nurodymai

Šlifavimui ir pjovimui šlifavimo disku taikomi specialieji saugos nurodymai:

- a) Naudokite tik jūsų elektriniam įrankiui patvirtintus abrazyvinius diskus ir tik taip, kaip rekomenduojama. Pavyzdžiui, niekada nešlifukite pjovimo disko šonu. Pjovimo diskai skirti medžiagai pjauti disko ašmenimis. Tokius abrazyvinius diskus veikiančios šoninės jėgos gali juos sulaužyti.
- b) Kūgio ar tiesios formos abrazyviniams pieštukams su sriegiu naudokite tik neapgadintus tinkamo dydžio ir tinkamo ilgio įtvarus be briaunos įpjovų. Tinkami įtvarus sumažina lūžimo tikimybę.
- c) Stenkitės, kad pjovimo diskas neužsiblokuotų, jo per stipriai nespauskite. Nedarykite pernelyg gilių pjūvių. Perkrovos padidina pjovimo diskui tenkančias apkrovas ir diskas gali greičiau persikreipti arba užsiblokuoti, todėl padidėja atatrunkos arba abrazyvinio disko sulūžimo tikimybė.
- d) Nelaikykite rankos priešais besisukantį pjovimo diską ar už jo. Jei pjovimo diską ruošinyje stumsite nuo savo rankos tolyn, įvykus atatranka elektrinis įrankis su besisukančiu disku gali būti nusviestas tiesiai į jus.
- e) Jei pjovimo diskas įstrigo ar Jūs pertraukėte darbą, įrankį išjunkite ir ramiai laikykite, kol diskas nustos sukis. Niekada nebandykite iš pjūvio vietos ištraukti dar besisukantį pjovimo diską, kad neįvyktų atatranka. Nustatykite ir pašalinkite įstrigimo priežastį.
- f) Kol elektrinis įrankis yra ruošinyje, jo iš naujo neįjunkite. Prieš atsargiai pjaudami toliau palaukite, kol pjovimo diskas vėl ims sukis didžiausiu greičiu. Priešingu atveju diskas gali įstrigti, iššokti iš ruošinio arba sukelti atatranką.

- g) Paremkite plokštes arba didelius ruošinius, kad įstrigus pjovimo diskui sumažėtų atatrunkos pavojus. Dideli ruošiniai gali įlinkti dėl savo svorio. Ruošinį būtina paremti abiejose disko pusėse, tiek šalia pjūvio, tiek prie krašto.
- h) Būkite ypač atsargūs darydami įleistinius pjūvius sienose arba kitose nematomose vietose. Besisukverbdamas pjovimo diskas pjaudamas dujų arba vandentiekio vamzdžius, elektros laidus ar kitus daiktus gali sukelti atatranką.

Darbai su vieliniais šepėčiais taikomi papildomi saugos nurodymai

Darbai su vieliniais šepėčiais taikomi specialieji saugos nurodymai:

- a) Atkreipkite dėmesį, kad ir įprastai naudojant vielinį šepetį iš jo išbyra vielos gabalėlių. Venkite per didelės apkrovos vielai ją per stipriai prispausdami. Išbyrantys vielos gabalėliai gali labai lengvai prasiskverbti pro plonus drabužius ir (arba) odą.
- b) Prieš naudodami šepėčius, ne trumpiau nei vieną minutę leiskite jiems sukis darbinio greičiu. Pasirūpinkite, kad tuo metu prieš šepetį ar vienoje linijoje su juo nebūtų kitų žmonių. Šiuo įsisukimo periodu gali išbyrėti palaidų vielos gabalėlių.
- c) **Besisukantį vielinį šepetį nukreipkite tolyn nuo savęs.** Dirbant su tokiais šepėčiais, dideliu greičiu gali išbyrėti ir pro odą prasiskverbti mažų dalelių ir smulkių vielos gabalėlių.

Krovikliams taikomi saugos nurodymai

- Šį prietaisą gali naudoti vyresni nei 8 metų amžiaus vaikai, taip pat sutrikusių fizinių, jausminių arba protinių gebėjimų asmenys ar mažai patirties ir žinių turintys asmenys, jei jie yra prižiūrimi arba išmokyti saugiai naudoti prietaisą ir supranta jo keliamą pavojų. Vaikams su prietaisu žaisti draudžiama. Neprižiūrimiems vaikams neleidžiama atlikti valymo ir naudotojo atliekamų techninės priežiūros darbų.
- Kad išvengtumėte pavojų, kai pažeistas šio įrankio įjungimo į tinklą laidas, jį turi pakeisti gamintojas arba jo klientų aptarnavimo tarnyba ar reikiamą kvalifikaciją turintis asmuo.



Kroviklį galima naudoti tik patalpose.

ĮSPĖJIMAS!

- Nenaudokite prietaiso, jei pažeistas kabelis, maitinimo laidas ar tinklo kištukas. Pažeisti maitinimo laidai kelia mirtiną elektros smūgio pavojų.

Naudojimas

- Niekada nenaudokite prietaiso ne pagal paskirtį, naudokite jį tik su originaliomis dalimis ir originaliais priedais. Naudojant ne naudojimo instrukcijoje rekomenduojamas dalis ar kitus priedus gali kilti pavojus susižaloti.

Akumulatoriaus bloko įkrovimas

NURODYMAS

- Naują arba ilgai nenaudotą akumulatoriaus bloką prieš naudojant pirmąjį kartą arba pakartotinai būtina įkrauti. Akumulatorius blokas visiškai įkraunamas tik po 3–5 įkrovimo ciklų. Įkrovimas trunka apie 180 minučių.

ATSARGIAI! PAVOJUS SUSIŽALOTI!

- Kas kartą prieš išimdami akumulatoriaus bloką iš kroviklio ir (arba) įdėdami į jį, ištraukite tinklo kištuką.
- ◆ Akumulatoriaus bloką **4** įkiškite į įkrovimo įtaisą **3**. Į jį akumulatoriaus bloką galima įkišti tik tinkamu poliumi.
- ◆ Maitinimo adapterį **9** įkiškite į elektros lizdą.
- ◆ Kol akumulatoriaus blokas kraunamas, dega raudonas įkrovos lygio indikatorius **10**. Įkrovus akumulatoriaus bloką, raudonas įkrovos lygio indikatorius **10** užgęsta ir užsidega žalias įkrovos lygio indikatorius **10a**. Akumulatoriaus blokas **4** parengtas naudoti.

ATSARGIAI!

- Niekada nebandykite įkrauti akumulatoriaus bloko antrą kartą iškart po to, kai jį įkrovėte. Kyla akumulatoriaus bloko perkrovos pavojus.

Akumulatoriaus bloko įdėjimas į įrankį ir išėmimas

Akumulatoriaus bloko įdėjimas:

- ◆ ĮJUNGIMO / IŠJUNGIMO jungiklį ❶ nustatykite į padėtį „OFF“.
- ◆ Akumulatoriaus bloką ❷ kiškite į įrankį, kol jis užsifiksuos.

Akumulatoriaus bloko išėmimas:

- ◆ Vienu metu paspauskite šoninius akumulatoriaus bloko atlaisvinimo mygtukus ❸ ir išimkite akumulatoriaus bloką ❹.

Akumulatoriaus įkrovos lygio patikrinimas

Kai įrankis įjungtas, įkrovos lygį ir (arba) likutinę galios akumulatoriaus LED indikatoriai 2 parodo taip:

RAUDONAS / ORANŽINIS / ŽALIAS = didžiausia įkrova

RAUDONAS / ORANŽINIS = vidutinė įkrova

RAUDONAS = maža įkrova – akumuliatorių būtina įkrauti

Įrankio / spyruokliuojančiosios įvorės įdėjimas / keitimas

- ◆ Paspauskite suklio fiksatorių ❷ ir laikykite jį nuspaustą.
- ◆ Sukite užveržimo veržlę ❸, kol fiksatorius užsifiksuos.
- ◆ Užveržimo veržlę ❸ kombinuotuoju veržliarakčiu ❷ nusukite nuo sriegio.
- ◆ Jei yra, išimkite įdėtą įrankį.
- ◆ Numatytąjį įrankį pirmiausia prakiškite pro užveržimo veržlę ❸, o tik po to įkiškite į įrankiui tinkamą spyruokliuojančiąją įvorę ❶.
- ◆ Paspauskite suklio fiksatorių ❷ ir laikykite jį nuspaustą.
- ◆ Spyruokliuojančiąją įvorę ❶ įkiškite į sriegio įdėklą, o po to užveržimo veržlę ❸ kombinuotuoju veržliarakčiu ❷ užsukite ant sriegio.

NURODYMAS

- ▶ Įtvary ❶ varžtui atsukti ir prisukti naudokite kombinuotojo veržliarakčio ❷ pusę su atsuktuvu.

Įjungimas ir išjungimas / greičio intervalo nustatymas

Įjungimas / greičio intervalo nustatymas:

- ◆ Įjungimo / išjungimo jungiklį su sukimosi greičio regulatoriumi ❶ nustatykite tarp 1 ir MAX padėties.

Išjungimas:

- ◆ Įjungimo / išjungimo jungiklį su sukimosi greičio regulatoriumi ❶ nustatykite į „OFF“ padėtį.

Informacija apie medžiagų apdirbimą / įrankį / greičio intervalą

- Plieną ir geležį apdirbkite frezavimo antgaliais ❶ ir mažesniu nei didžiausiuoju sukimosi greičiu.
- Greičio intervalą cinkui, cinko lydiniams, aliuminiui, varui ir švinui apdirbti nustatykite apdirbdami bandinius.
- Plastikams ir žemos lydymosi temperatūros medžiagoms apdirbti rinkitės nedidelio greičio intervalą.
- Medieną apdirbkite dideliu sukimosi greičiu.
- Valymo, poliravimo ir poliravimo veltniu darbus atlikite vidutiniu greičiu.

Toliau pateikta informacija yra neįpareigojanti pobūdžio. Praktiškai ir patys išbandykite, koks įrankis ir koks nustatymas geriausiai tinka apdirbamai medžiagai.

Tinkamo sukimosi greičio nustatymas:

Skaičius ant sukimosi greičio reguliatoriaus ①	Apdirbama medžiaga		
1-3	Plastikas ir žemos lydymosi temperatūros medžiagos	6	Kietoji mediena
4-5	Uoliena, keramika	MAX	Plienas
5	Minkštoji mediena, metalas		

Naudojimo pavyzdžiai / tinkamo įrankio pasirinkimas:

Funkcija	Priedas	Naudojimas	Iškyša (min.-maks.) mm
Gręžimas	HSS grąžtai ⑪	Medienai apdirbti	18-25, mažiausio grąžto iškyša - 10 mm
Frezavimas	Frezavimo antgaliai ⑲	Įvairiems darbams, pvz., išsikišimams, grioveliams ar plyšiams daryti, skobti, formuoti	18-25
Graviravimas	Graviravimo antgaliai ⑳	Ženklavimo darbams, rankdarbiams	18-25
Poliravimas, rūdžių pašalinimas ATSARGIAI! Įrankį labai nestipriai spauskite prie ruošinio.	Metalinis šepetys ⑮	Rūdims pašalinti	9-15
	Poliravimo diskai ⑬	Įvairiems metalams ir plastikams, ypač tauriesiems metalams, pvz., auksui ar sidabruui apdirbti	12-18
Valymas	Plastikiniai šepetėliai ⑮	Pvz., sunkiai prieinamiems plastikiniams korpusams arba sritims aplink durų spyną valyti	9-15
Šlifavimas	Šlifavimo diskai ⑭	Uolienai, medienai šlifuoti, kietųjų medžiagų, pvz., keramikos ar legiruotojo plieno tiksliesiems darbams	12-18
	Šlifavimo antgaliai ㉑		10
Pjovimas	Metaliniai pjovimo diskai ⑯	Metalui, plastikui ir medienai apdirbti	12-18

- Surinktų abrazyvinių diskų, kūgio ir tiesios formos šlifavimo pieštukų su sriegio įdėklų didžiausias skersmuo neturi viršyti 55 mm. Šlifavimo švitrinu popieriumi priedų didžiausias skersmuo neturi viršyti 80 mm.

NURODYMAS

- ▶ Didžiausias leidžiamas įtvaro ilgis – 33 mm.

- Priedus laikykite originalioje dėžutėje arba jų dalis nuo apgadavimo apsaugokite kaip nors kitaip.
- Priedus laikykite sausoje vietoje be agresyvių terpių.

Patarimai ir gudrybės

- Jei spausite per stipriai, pritvirtintas įrankis gali sulūžti ir (arba) gali apgadinti ruošinį. Geriausių darbo rezultatų pasieksite, jei įrankį ruošiniu vedžiosite nekeisdami greičio ir stipriai nespausite.
- Pjaudami įrankį visada tvirtai laikykite abiem rankomis.
- Vadovaukitės duomenimis ir lentelėje pateikta informacija: suklio galas turi nesiliesti prie šlifavimo įrankio perforuotojo pagrindo.

Techninė priežiūra ir valymas

Įrankiui techninės priežiūros nereikia.

- Pašalinkite nuo įrankio nešvarumus. Tam naudokite sausą šluostę.
- Įrankį padėdami ilgiam laikui ar paėmę ilgą laiką nenaudotą įrankį, visiškai įkraukite akumuliatoriaus bloką ④.
- Laikant ilgą laiką, reikia reguliariai tikrinti ličio jonų akumuliatoriaus įkrovos lygį. Optimalus įkrovos lygis yra nuo 50 iki 80 %. Geriausia laikyti vėsioje ir sausoje aplinkoje.

⚠ ĮSPĖJIMAS!

- Įrankius gali taisyti klientų aptarnavimo tarnyba arba kvalifikuotas elektrikas ir naudoti tik originalias atsargines dalis. Taip užtikrinama, kad įrankis išliks saugus.

⚠ ĮSPĖJIMAS!

- Įrankio kištuką arba maitinimo laidą gali pakeisti tik įrankio gamintojas arba gamintojo klientų aptarnavimo tarnyba. Taip užtikrinama, kad įrankis išliks saugus.

NURODYMAS

- ▶ Neišvardytų atsarginių dalių (pvz., akumuliatorių, kroviklių) galite užsisakyti paskambinę į mūsų skambučių centrus.

Utilizavimas



Pakuotė pagaminta iš aplinką tausojančių medžiagų, kurias galite utilizuoti vietos utilizavimo įmonėse.



Elektrinių įrankių neišmeskite kartu su buitinėmis atliekomis!

Pagal Europos direktyvą 2012/19/EU panaudoti elektriniai įrankiai turi būti surenkami atskirai ir atiduodami perdirbti nekenkiant aplinkai.



Akumuliatorių neišmeskite kartu su buitinėmis atliekomis!

⚠ ĮSPĖJIMAS!

- Prieš išmesdami įrankį, išimkite akumuliatorių!

Sugedę arba panaudoti akumulatoriai pagal direktyvą 2006/66/EC turi būti perdirbami. Akumulatoriaus bloką ir (arba) įrankį grąžinkite į rekomenduojamą surinkimo vietą. Informacijos apie nenaudojamų elektrinių įrankių / akumulatoriaus bloko utilizavimą teiraukitės savivaldybės ar miesto administracijoje.

Kompernaß Handels GmbH garantija

Gerb. kliente,

Šiam prietaisui nuo įsigijimo datos suteikiama 3 metų garantija. Išryškėjus šio gaminio trūkumams, gaminio pardavėjas užtikrina jums teisės aktais reglamentuojamas teises. Toliau išdėstytos garantijos teikimo sąlygos šių jūsų teisės aktais reglamentuojamų teisių neapriboja.

Garantijos teikimo sąlygos

Garantijos teikimo laikotarpis skaičiuojamas nuo pirkimo datos. Prašome išsaugoti originalų kasos čekį. Jis reikalingas kaip pirkimo dokumentas.

Jei per trejus metus nuo šio gaminio pirkimo datos išryškėtų medžiagų ar gamybos trūkumų, gaminį savo nuožiūra nemokamai sutaisytime arba pakeisime. Norint pasinaudoti garantija, sugedusį prietaisą ir pirkimo dokumentą (kasos čekį) būtina pateikti trejų metų laikotarpiu trumpai aprašius trūkumą bei nurodžius trūkumo atsiradimo laiką.

Jei trūkumui taikoma mūsų garantija, jums grąžinsime sutaisytą arba pristatysime naują gaminį. Sutaisius ar pakeitus gaminį, garantijos teikimo laikotarpis nepratęsiamas.

Garantijos teikimo laikotarpis ir teisės aktais reglamentuojama trūkumų pašalinimo garantija

Garantijos teikimo laikotarpiu suteikus garantinių paslaugų, garantijos teikimo laikotarpis nepratęsiamas. Ta pati sąlyga taikoma ir pakeistoms bei sutaisytoms dalims. Apie įsigyto gaminio pažeidimus ir trūkumus būtina pranešti vos išpakavus gaminį. Pasibaigus garantijos teikimo laikotarpiui už remonto darbus imamas mokestis.

Garantijos aprėptis

Prietaisas kruopščiai pagamintas vadovaujantis griežtomis kokybės gairėmis ir prieš pristatant buvo išbandytas.

Garantiija taikoma tik medžiagų arba gamybos trūkumams. Garantiija netaikoma įprastai dylančiomis gaminio dalims, priskiriamoms susidėvėnčių dalių kategorijai, arba lūžtančių (dužių) dalių, pavyzdžiui, jungiklių, akumuliatorių, kepimo formų ar iš stiklo pagamintų dalių pažeidimams.

Garantiija netaikoma, jei gaminys apgadinamas, netinkamai naudojamas ar netinkamai prižiūrimas. Gaminys tinkamai naudojamas tik tada, jei tiksliai laikomasi visų naudojimo instrukcijoje pateiktų nurodymų. Gaminį draudžiama naudoti tokiems tikslams ar tokiu būdu, kurie nerekomenduojami naudojimo instrukcijoje arba dėl kurių joje įspėjama.

Gaminys skirtas tik buitinio, o ne komercinio naudojimo reikmėms. Garantiija netaikoma piktnaudžiavimo, netinkamo naudojimo atvejais, jei naudojama jėga ir jei remontuoja ne mūsų įgaliotoji klientų aptarnavimo tarnyba.

Garantinių įsipareigojimų vykdymas

Kad galėtume greitai sutvarkyti jūsų prašymą, prašome vadovautis toliau nurodytais nurodymais:

- Kreipdamiesi bet koku klausimu dėl gaminio, turėkite kasos čekį kaip pirkimo dokumentą ir gaminio numerį (pvz., IAN 12345).
- Gaminio numerį rasite prietaiso duomenų lentelėje, išgraviruotą ant naudojimo instrukcijos viršelio (apačioje kairėje) arba užklijuotą prietaiso užpakalinėje pusėje ar apačioje.
- Jei išryškėtų prietaiso veikimo ar kitokių trūkumų, pirmiausia **telefonu** arba **elektroniniu paštu** kreipkitės į toliau nurodytą klientų aptarnavimo skyrių.
- Tada sugedusiu pripažintą gaminį, pridėję pirkimo dokumentą (kasos čekį) ir nurodę trūkumą bei jo atsiradimo laiką, nemokamai galėsite išsiųsti jums nurodytu techninės priežiūros tarnybos adresu.



Svetainėje www.lidl-service.com galite atsisiųsti šį ir daugiau žinynų, gaminų vaizdo įrašų ir programinės įrangos.

Priežiūra

LT **Priežiūra Lietuva**
Tel. 880 033 144
Elektroninio pašto adresas
kompennass@lidl.lt

IAN 279872

Importuotojas

Atminkite, kad šis adresas nėra techninės priežiūros tarnybos adresas. Pirmiausia susisiekite su nurodytu klientų aptarnavimo tarnyba.

KOMPERNASS HANDELS GMBH
BURGSTRASSE 21
44867 BOCHUM
GERMANY
www.kompennass.com

Atitikties deklaracijos originalo vertimas

Mes, „KOMPERNASS HANDELS GMBH“, ir
už dokumento pateikimą atsakingas asmuo
Semi Uguzlu, BURGSTR. 21, 44867 BOCHUMAS,
VOKIETIJA, pareiškiamo, kad šis gaminys atitinka
toliau nurodytus standartus, norminius dokumentus
ir ES direktyvas:

**Mašinų direktyvą
(2006/42/EC);**

**EB žemosios įtampos direktyvą
(2014/35/EU);**

**Elektromagnetinio suderinamumo direktyvą
(2014/30/EU);**

**Pavojingų medžiagų naudojimo ribojimo
direktyvą
(2011/65/EU).**

Taikomi darnieji standartai:

EN 60745-1:2009/A11:2010
EN 60745-2-23:2013
EN 55014-1:2006/A2:2011
EN 55014-2:2015
EN 60335-1:2012/A11:2014
EN 60335-2-29:2004/A2:2010
EN 61000-3-2:2014
EN 61000-3-3:2013
EN 62233:2008

Įrankio tipas:

Tikslus akumuliatorinis gręžtuvas-šlifuoכלis
PFBS 12 A1

Pagaminimo metai: 2016-07

Serijos numeris: IAN 279872

Bochumas, 2016-06-08




Semi Uguzlu

- Kokybės vadybininkas -

Galimi techniniai pakeitimai tobulinant gaminį.

Inhaltsverzeichnis

Einleitung	48
Bestimmungsgemäßer Gebrauch	48
Ausstattung	48
Lieferumfang	48
Technische Daten	48
Allgemeine Sicherheitshinweise für Elektrowerkzeuge	49
1. Arbeitsplatz-Sicherheit	49
2. Elektrische Sicherheit	49
3. Sicherheit von Personen	50
4. Verwendung und Behandlung des Elektrowerkzeugs	50
5. Verwendung und Behandlung des Akkuwerkzeugs	51
6. Service	51
Sicherheitshinweise für alle Anwendungen	51
Weitere Sicherheitshinweise für alle Anwendungen	53
Zusätzliche Sicherheitshinweise zum Schleifen und Trennschleifen	54
Zusätzliche Sicherheitshinweise zum Arbeiten mit Drahtbürsten	54
Sicherheitshinweise für Ladegeräte	55
Bedienung	55
Akku-Pack laden	55
Akku-Pack ins Gerät einsetzen / entnehmen	56
Akkuzustand ablesen	56
Werkzeug / Spannzange einsetzen / wechseln	56
Ein- und ausschalten / Drehzahlbereich einstellen	56
Hinweise zu Materialbearbeitung / Werkzeug / Drehzahlbereich	56
Tips und Tricks	58
Wartung und Reinigung	58
Entsorgung	59
Garantie der Kompernaß Handels GmbH	59
Service	60
Importeur	60
Original-Konformitätserklärung	61

AKKU-FEINBOHRSCHLEIFER PFBS 12 A1

Einleitung

Wir beglückwünschen Sie zum Kauf Ihres neuen Gerätes. Sie haben sich damit für ein hochwertiges Produkt entschieden. Die Bedienungsanleitung ist Teil dieses Produkts. Sie enthält wichtige Hinweise für Sicherheit, Gebrauch und Entsorgung. Machen Sie sich vor der Benutzung des Produkts mit allen Bedien- und Sicherheitshinweisen vertraut. Benutzen Sie das Produkt nur wie beschrieben und für die angegebenen Einsatzbereiche. Händigen Sie alle Unterlagen bei Weitergabe des Produkts an Dritte mit aus.

Bestimmungsgemäßer Gebrauch

Der Akku-Feinbohrschleifer ist mit entsprechendem Zubehör (wie mitgeliefert) zum Bohren, Fräsen, Gravieren, Polieren, Säubern, Schleifen, Trennen von Werkstoffen wie Holz, Metall, Kunststoff, Keramik oder Gestein in trockenen Räumen zu verwenden. Jede andere Verwendung oder Veränderung des Gerätes gilt als nicht bestimmungsgemäß und birgt erhebliche Unfallgefahren. Für aus bestimmungswidriger Verwendung entstandene Schäden übernimmt der Hersteller keine Haftung. Nicht für gewerblichen Einsatz bestimmt.

Ausstattung

Akku-Feinbohrschleifer:

- ❶ Ein- / Aus -Schalter / Drehzahlregulierung
- ❷ Akku-LED
- ❸ Akku-Entriegelungstaste
- ❹ Akku-Pack
- ❺ Spannmutter
- ❻ Überwurfmutter
- ❼ Spindelarretierung

Akkuladeeinrichtung (siehe Abb. A):

- ❽ Ladeschale
- ❾ Netzteil
- ❿ Ladezustandsanzeige rot
- 10a Ladezustandsanzeige grün

Zubehör (siehe Abb. B):

- ❶ 6 HSS-Bohrer
- ❷ 2 Spanndorne zur Werkzeugaufnahme
- ❸ 3 Polierscheiben
- ❹ 4 Schleifscheiben
- ❺ 1 Metallbürste
- ❻ 16 Trennscheiben
- ❼ 5 Spannzangen
- ❽ 2 Kunststoffbürsten
- ❾ 3 Fräsbits
- ❿ 2 Gravierbits
- ⓫ 5 Schleifbits
- ⓬ 1 Kombischlüssel

Lieferumfang

- 1 Akku-Feinbohrschleifer
- 1 Ladeschale mit Netzteil
- 1 Zubehör-Set (50 Teile)
- 1 Bedienungsanleitung

Technische Daten

Modell PFBS 12 A1:

- Bemessungsspannung: 12 V --- (Gleichstrom)
Bemessungs-
Leerlaufdrehzahl: n 5000-25000 min⁻¹
Max. Scheiben ø: 25 mm

Bohrfutter-
spannbereich:  max. ø 3,2 mm

Akku-Pack PFBS 12 A1-1:

EINGANG / Input:

- Bemessungsspannung: 12 V --- (Gleichstrom)
Kapazität: 1300 mAh
Typ: LITHIUM-ION

Ladegerät PFBS 12 A1-2:

Primär (Eingang / Input):

- Bemessungsspannung: 100-240 V~, 50-60 Hz
(Wechselstrom)
Bemessungsaufnahme: 0,3 A

Sekundär (Ausgang / Output):

- Bemessungsspannung: 14,5 V --- (Gleichstrom)
Bemessungsstrom: 450 mA
Ladedauer: ca. 3 Stunden
Schutzklasse: II/Ⓜ (Doppelisolierung)

Geräuschemissionswert:

Messwert für Geräusch ermittelt entsprechend EN 60745. Der A-bewertete Geräuschpegel des Elektrowerkzeugs beträgt typischerweise:

- Schalldruckpegel: $L_{pA} = 60,5 \text{ dB (A)}$
- Unsicherheit: $K_{pA} = 3 \text{ dB}$
- Schallleistungspegel: $L_{WA} = 71,5 \text{ dB (A)}$
- Unsicherheit K: $K_{WA} = 3 \text{ dB}$

Gehörschutz tragen!

Schwingungsgesamtwert:

- $a_h = 1,07 \text{ m/s}^2$
- Unsicherheit K: $1,5 \text{ m/s}^2$

HINWEIS

- ▶ Der in diesen Anweisungen angegebene Schwingungspegel ist entsprechend einem genormten Messverfahren gemessen worden und kann für den Gerätevergleich verwendet werden. Der angegebene Schwingungsemissionswert kann auch zu einer einleitenden Einschätzung der Aussetzung verwendet werden.

⚠️ WARNUNG!

- ▶ Der Schwingungspegel wird sich entsprechend dem Einsatz des Elektrowerkzeugs verändern und kann in manchen Fällen über dem in diesen Anweisungen angegebenen Wert liegen. Die Schwingungsbelastung könnte unterschätzt werden, wenn das Elektrowerkzeug regelmäßig in solcher Weise verwendet wird. Versuchen Sie, die Belastung durch Vibrationen so gering wie möglich zu halten. Beispielhafte Maßnahmen zur Verringerung der Vibrationsbelastung sind das Tragen von Handschuhen beim Gebrauch des Werkzeugs und die Begrenzung der Arbeitszeit. Dabei sind alle Anteile des Betriebszyklus zu berücksichtigen (beispielsweise Zeiten, in denen das Elektrowerkzeug abgeschaltet ist, und solche, in denen es zwar eingeschaltet ist, aber ohne Belastung läuft).

Allgemeine Sicherheitshinweise für Elektrowerkzeuge



⚠️ WARNUNG!

- ▶ Lesen Sie alle Sicherheitshinweise und Anweisungen. Versäumnisse bei der Einhaltung der Sicherheitshinweise und Anweisungen können elektrischen Schlag, Brand und/oder schwere Verletzungen verursachen.



Bewahren Sie alle Sicherheitshinweise und Anweisungen für die Zukunft auf.

Der in den Sicherheitshinweisen verwendete Begriff „Elektrowerkzeug“ bezieht sich auf netzbetriebene Elektrowerkzeuge (mit Netzkabel) und auf akkubetriebene Elektrowerkzeuge (ohne Netzkabel).

1. Arbeitsplatz-Sicherheit


- a) Halten Sie Ihren Arbeitsbereich sauber und gut beleuchtet. Unordnung und unbeleuchtete Arbeitsbereiche können zu Unfällen führen.
- b) Arbeiten Sie mit dem Elektrowerkzeug nicht in explosionsgefährdeter Umgebung, in der sich brennbare Flüssigkeiten, Gase oder Stäube befinden. Elektrowerkzeuge erzeugen Funken, die den Staub oder die Dämpfe entzünden können.
- c) Halten Sie Kinder und andere Personen während der Benutzung des Elektrowerkzeugs fern. Bei Ablenkung können Sie die Kontrolle über das Gerät verlieren.

2. Elektrische Sicherheit

- a) Der Anschlussstecker des Elektrowerkzeuges muss in die Steckdose passen. Der Stecker darf in keiner Weise verändert werden. Verwenden Sie keine Adapterstecker gemeinsam mit schutzgeerdeten Elektrowerkzeugen. Unveränderte Stecker und passende Steckdosen verringern das Risiko eines elektrischen Schlages.
- b) Vermeiden Sie Körperkontakt mit geerdeten Oberflächen, wie von Rohren, Heizungen, Herden und Kühlschränken. Es besteht ein erhöhtes Risiko durch elektrischen Schlag, wenn Ihr Körper geerdet ist.

- c) Halten Sie Elektrowerkzeuge von Regen oder Nässe fern. Das Eindringen von Wasser in ein Elektrogerät erhöht das Risiko eines elektrischen Schlages.
- d) Zweckentfremden Sie das Kabel nicht, um das Elektrowerkzeug zu tragen, aufzuhängen oder um den Stecker aus der Steckdose zu ziehen. Halten Sie das Kabel fern von Hitze, Öl, scharfen Kanten oder sich bewegenden Geräteteilen. Beschädigte oder verwickelte Kabel erhöhen das Risiko eines elektrischen Schlages.
- e) Wenn Sie mit einem Elektrowerkzeug im Freien arbeiten, verwenden Sie nur Verlängerungskabel, die auch für den Außenbereich zugelassen sind. Die Anwendung eines für den Außenbereich geeigneten Verlängerungskabels verringert das Risiko eines elektrischen Schlages.
- f) Wenn der Betrieb des Elektrowerkzeuges in feuchter Umgebung nicht vermeidbar ist, verwenden Sie einen Fehlerstromschutzschalter. Der Einsatz eines Fehlerstromschutzschalters vermindert das Risiko eines elektrischen Schlages.

3. Sicherheit von Personen

- a) Seien Sie stets aufmerksam, achten Sie darauf, was Sie tun und gehen Sie mit Vernunft an die Arbeit mit einem Elektrowerkzeug. Benutzen Sie kein Elektrowerkzeug, wenn Sie müde sind oder unter dem Einfluss von Drogen, Alkohol oder Medikamenten stehen. Ein Moment der Unachtsamkeit beim Gebrauch des Elektrowerkzeuges kann zu ernsthaften Verletzungen führen.
- b)  Tragen Sie persönliche Schutzausrüstung und immer eine Schutzbrille. Das Tragen persönlicher Schutzausrüstung wie Staubmaske, rutschfeste Sicherheitsschuhe, Schutzhelm oder Gehörschutz, je nach Art und Einsatz des Elektrowerkzeuges, verringert das Risiko von Verletzungen.
- c) Vermeiden Sie eine unbeabsichtigte Inbetriebnahme. Vergewissern Sie sich, dass das Elektrowerkzeug ausgeschaltet ist, bevor Sie es an die Stromversorgung und / oder den Akku anschließen, es aufnehmen oder tragen. Wenn Sie beim Tragen des Elektrowerkzeuges den Finger am Schalter haben oder das Gerät bereits eingeschaltet an die Stromversorgung anschließen, kann dies zu Unfällen führen.

- d) Entfernen Sie Einstellwerkzeuge oder Schraubenschlüssel, bevor Sie das Elektrowerkzeug einschalten. Ein Werkzeug oder Schlüssel, der sich in einem drehenden Geräteteil befindet, kann zu Verletzungen führen.
- e) Vermeiden Sie eine abnormale Körperhaltung. Sorgen Sie für einen sicheren Stand und halten Sie jederzeit das Gleichgewicht. Dadurch können Sie das Elektrowerkzeug in unerwarteten Situationen besser kontrollieren.
- f) Tragen Sie geeignete Kleidung. Tragen Sie keine weite Kleidung oder Schmuck. Halten Sie Haare, Kleidung und Handschuhe fern von sich bewegenden Teilen. Lockere Kleidung, Schmuck oder lange Haare können von sich bewegenden Teilen erfasst werden.
- g) Wenn Staubabsaug- und -auffangeinrichtungen montiert werden können, vergewissern Sie sich, dass diese angeschlossen sind und richtig verwendet werden. Die Verwendung einer Staubabsaugung kann Gefährdungen durch Staub verringern.

4. Verwendung und Behandlung des Elektrowerkzeugs

- a) Überlasten Sie das Gerät nicht. Verwenden Sie für Ihre Arbeit das dafür bestimmte Elektrowerkzeug. Mit dem passenden Elektrowerkzeug arbeiten Sie besser und sicherer im angegebenen Leistungsbereich.
- b) Benutzen Sie kein Elektrowerkzeug, dessen Schalter defekt ist. Ein Elektrowerkzeug, das sich nicht mehr ein- oder ausschalten lässt, ist gefährlich und muss repariert werden.
- c) Ziehen Sie den Stecker aus der Steckdose und/oder entfernen Sie den Akku, bevor Sie Geräteeinstellungen vornehmen, Zubehörteile wechseln oder das Gerät weglegen. Diese Vorsichtsmaßnahme verhindert den unbeabsichtigten Start des Elektrowerkzeuges.
- d) Bewahren Sie unbenutzte Elektrowerkzeuge außerhalb der Reichweite von Kindern auf. Lassen Sie Personen das Gerät nicht benutzen, die mit diesem nicht vertraut sind oder diese Anweisungen nicht gelesen haben. Elektrowerkzeuge sind gefährlich, wenn sie von unerfahrenen Personen benutzt werden.

- e) Pflegen Sie Elektrowerkzeuge mit Sorgfalt. Kontrollieren Sie, ob bewegliche Teile einwandfrei funktionieren und nicht klemmen, ob Teile gebrochen oder so beschädigt sind, dass die Funktion des Elektrowerkzeuges beeinträchtigt ist. Lassen Sie beschädigte Teile vor dem Einsatz des Gerätes reparieren. Viele Unfälle haben ihre Ursache in schlecht gewarteten Elektrowerkzeugen.
- f) Halten Sie Schneidwerkzeuge scharf und sauber. Sorgfältig gepflegte Schneidwerkzeuge mit scharfen Schneidkanten verkleben sich weniger und sind leichter zu führen.
- g) Verwenden Sie Elektrowerkzeug, Zubehör, Einsatzwerkzeuge usw. entsprechend diesen Anweisungen. Berücksichtigen Sie dabei die Arbeitsbedingungen und die auszuführende Tätigkeit. Der Gebrauch von Elektrowerkzeugen für andere als die vorgesehenen Anwendungen kann zu gefährlichen Situationen führen.

5. Verwendung und Behandlung des Akkuwerkzeugs

- a) Laden Sie die Akkus nur in Ladegeräten auf, die vom Hersteller empfohlen werden. Für ein Ladegerät, das für eine bestimmte Art von Akkus geeignet ist, besteht Brandgefahr, wenn es mit anderen Akkus verwendet wird.
- b) Verwenden Sie nur die dafür vorgesehenen Akkus in den Elektrowerkzeugen. Der Gebrauch von anderen Akkus kann zu Verletzungen und Brandgefahr führen.
- c) Halten Sie den nicht benutzten Akku fern von Büroklammern, Münzen, Schlüsseln, Nägeln, Schrauben oder anderen kleinen Metallgegenständen, die eine Überbrückung der Kontakte verursachen könnten. Ein Kurzschluss zwischen den Akkukontakten kann Verbrennungen oder Feuer zur Folge haben.
- d) Bei falscher Anwendung kann Flüssigkeit aus dem Akku austreten. Vermeiden Sie den Kontakt damit. Bei zufälligem Kontakt mit Wasser abspülen. Wenn die Flüssigkeit in die Augen kommt, nehmen Sie zusätzlich ärztliche Hilfe in Anspruch. Austretende Akkuflüssigkeit kann zu Hautreizungen oder Verbrennungen führen.



VORSICHT! EXPLOSIONSGEFAHR!
Laden Sie nicht aufladbare Batterien niemals auf.



Schützen Sie den Akku vor Hitze, z. B. auch vor dauernder Sonneneinstrahlung, Feuer, Wasser und Feuchtigkeit. Es Besteht Explosionsgefahr.



6. Service

- a) Lassen Sie Ihr Elektrowerkzeug nur von qualifiziertem Fachpersonal und nur mit Original-Ersatzteilen reparieren. Damit wird sichergestellt, dass die Sicherheit des Elektrowerkzeugs erhalten bleibt.

Sicherheitshinweise für alle Anwendungen

Gemeinsame Sicherheitshinweise zum Schleifen, Sandpapierschleifen, Arbeiten mit Drahtbürsten, Polieren, Fräsen oder Trennschleifen:

- a) Dieses Elektrowerkzeug ist zu verwenden als Schleifer, Sandpapierschleifer, Drahtbürste, Polierer, zum Fräsen und als Trennschleifmaschine. Beachten Sie alle Sicherheitshinweise, Anweisungen, Darstellungen und Daten, die Sie mit dem Gerät erhalten. Wenn Sie die folgenden Anweisungen nicht beachten, kann es zu elektrischem Schlag, Feuer und / oder schweren Verletzungen kommen.
- b) Verwenden Sie kein Zubehör, das vom Hersteller nicht speziell für dieses Elektrowerkzeug vorgesehen und empfohlen wird. Nur weil Sie das Zubehör an Ihrem Elektrowerkzeug befestigen können, garantiert das keine sichere Verwendung.
- c) Die zulässige Drehzahl des Einsatzwerkzeugs muss mindestens so hoch sein wie die auf dem Elektrowerkzeug angegebene Höchstdrehzahl. Zubehör, das sich schneller als zulässig dreht, kann zerbrechen und umherfliegen.
- d) Außendurchmesser und Dicke des Einsatzwerkzeugs müssen den Maßangaben Ihres Elektrowerkzeugs entsprechen. Falsch bemessene Einsatzwerkzeuge können nicht ausreichend abgeschirmt oder kontrolliert werden.

- e) Schleifscheiben, Schleifwalzen oder anderes Zubehör müssen genau auf die Schleifspindel oder Spannzange Ihres Elektrowerkzeugs passen. Einsatzwerkzeuge, die nicht genau in die Aufnahme des Elektrowerkzeugs passen, drehen sich ungleichmäßig, vibrieren sehr stark und können zum Verlust der Kontrolle führen.
- f) Auf einem Dorn montierte Scheiben, Schleifzylinder, Schneidwerkzeuge oder anderes Zubehör müssen vollständig in die Spannzange oder das Spannfutter eingesetzt werden. Der „Überstand“ bzw. der frei liegende Teil des Dorns zwischen Schleifkörper und Spannzange oder Spannfutter muss minimal sein. Wird der Dorn nicht ausreichend gespannt oder steht der Schleifkörper zu weit vor, kann sich das Einsatzwerkzeug lösen und mit hoher Geschwindigkeit ausgeworfen werden.
- g) Verwenden Sie keine beschädigten Einsatzwerkzeuge. Kontrollieren Sie vor jeder Verwendung Einsatzwerkzeuge wie Schleifscheiben auf Absplitterungen und Risse, Schleifwalzen auf Risse, Verschleiß oder starke Abnutzung, Drahtbürsten auf lose oder gebrochene Drähte. Wenn das Elektrowerkzeug oder das Einsatzwerkzeug herunterfällt, überprüfen Sie, ob es beschädigt ist, oder verwenden Sie ein unbeschädigtes Einsatzwerkzeug. Wenn Sie das Einsatzwerkzeug kontrolliert und eingesetzt haben, halten Sie und in der Nähe befindliche Personen sich außerhalb der Ebene des rotierenden Einsatzwerkzeugs auf und lassen Sie das Gerät eine Minute lang mit Höchstdrehzahl laufen. Beschädigte Einsatzwerkzeuge brechen meist in dieser Testzeit.
- h) Tragen Sie persönliche Schutzausrüstung. Verwenden Sie je nach Anwendung Vollgesichtsschutz, Augenschutz oder Schutzbrille. Soweit angemessen, tragen Sie Staubmaske, Gehörschutz, Schutzhandschuhe oder Spezialschürze, die kleine Schleif- und Materialpartikel von Ihnen fernhält. Die Augen sollen vor herumfliegenden Fremdkörpern geschützt werden, die bei verschiedenen Anwendungen entstehen. Staub- oder Atemschutzmaske müssen den bei der Anwendung entstehenden Staub filtern. Wenn Sie lange lautem Lärm ausgesetzt sind, können Sie einen Hörverlust erleiden.
- i) Achten Sie bei anderen Personen auf sicheren Abstand zu Ihrem Arbeitsbereich. Jeder, der den Arbeitsbereich betritt, muss persönliche Schutzausrüstung tragen. Bruchstücke des Werkstücks oder gebrochener Einsatzwerkzeuge können wegfliegen und Verletzungen auch außerhalb des direkten Arbeitsbereichs verursachen.
- j) Halten Sie das Gerät nur an den isolierten Griffflächen, wenn Sie Arbeiten ausführen, bei denen das Einsatzwerkzeug verborgene Stromleitungen oder das eigene Netzkabel treffen kann. Der Kontakt mit einer spannungsführenden Leitung kann auch metallene Geräteteile unter Spannung setzen und zu einem elektrischen Schlag führen.
- k) Halten Sie das Elektrowerkzeug beim Starten stets gut fest. Beim Hochlaufen auf die volle Drehzahl kann das Reaktionsmoment des Motors dazu führen, dass sich das Elektrowerkzeug verdreht.
- l) Wenn möglich, verwenden Sie Zwingen, um das Werkstück zu fixieren. Halten Sie niemals ein kleines Werkstück in der einen Hand und das Elektrowerkzeug in der anderen, während Sie es benutzen. Durch das Festspannen kleiner Werkstücke haben Sie beide Hände zur besseren Kontrolle des Elektrowerkzeugs frei. Beim Trennen runder Werkstücke wie Holzdübel, Stangenmaterial oder Rohre neigen diese zum Wegrollen, wodurch das Einsatzwerkzeug klemmen und auf Sie zu geschleudert werden kann.
- m) Halten Sie das Anschlusskabel von sich drehenden Einsatzwerkzeugen fern. Wenn Sie die Kontrolle über das Gerät verlieren, kann das Kabel durchtrennt oder erfasst werden und Ihre Hand oder Ihr Arm in das sich drehende Einsatzwerkzeug geraten.
- n) Legen Sie das Elektrowerkzeug niemals ab, bevor das Einsatzwerkzeug völlig zum Stillstand gekommen ist. Das sich drehende Einsatzwerkzeug kann in Kontakt mit der Ablagefläche geraten, wodurch Sie die Kontrolle über das Elektrowerkzeug verlieren können.
- o) Ziehen Sie nach dem Wechseln von Einsatzwerkzeugen oder Einstellungen am Gerät die Spannzangenmutter, das Spannfutter oder sonstige Befestigungselemente fest an. Lose Befestigungselemente können sich unerwartet verstellen und zum Verlust der Kontrolle führen;

- unbefestigte, rotierende Komponenten werden gewaltsam herausgeschleudert.
- p) **Lassen Sie das Elektrowerkzeug nicht laufen, während Sie es tragen.** Ihre Kleidung kann durch zufälligen Kontakt mit dem sich drehenden Einsatzwerkzeug erfasst werden und das Einsatzwerkzeug sich in Ihren Körper bohren.
 - q) **Reinigen Sie regelmäßig die Lüftungsschlitze Ihres Elektrowerkzeugs.** Das Motorgebläse zieht Staub in das Gehäuse, und eine starke Ansammlung von Metallstaub kann elektrische Gefahren verursachen.
 - r) **Verwenden Sie das Elektrowerkzeug nicht in der Nähe brennbarer Materialien.** Funken können diese Materialien entzünden.
 - s) **Verwenden Sie keine Einsatzwerkzeuge, die flüssige Kühlmittel erfordern.** Die Verwendung von Wasser oder anderen flüssigen Kühlmitteln kann zu einem elektrischen Schlag führen.

Weitere Sicherheitshinweise für alle Anwendungen

Rückschlag und entsprechende Sicherheitshinweise

Rückschlag ist die plötzliche Reaktion infolge eines hakenden oder blockierten drehenden Einsatzwerkzeugs, wie Schleifscheibe, Schleifband, Drahtbürste usw. Verhaken oder Blockieren führt zu einem abrupten Stopp des rotierenden Einsatzwerkzeugs. Dadurch wird ein unkontrolliertes Elektrowerkzeug gegen die Drehrichtung des Einsatzwerkzeugs beschleunigt.

Wenn z. B. eine Schleifscheibe im Werkstück hakt oder blockiert, kann sich die Kante der Schleifscheibe, die in das Werkstück eintaucht, verfangen und dadurch die Schleifscheibe ausbrechen oder einen Rückschlag verursachen. Die Schleifscheibe bewegt sich dann auf die Bedienperson zu oder von ihr weg, je nach Drehrichtung der Scheibe an der Blockierstelle. Hierbei können Schleifscheiben auch brechen.

Ein Rückschlag ist die Folge eines falschen oder fehlerhaften Gebrauchs des Elektrowerkzeugs. Er kann durch geeignete Vorsichtsmaßnahmen, wie nachfolgend beschrieben, verhindert werden.

- a) **Halten Sie das Elektrowerkzeug gut fest und bringen Sie Ihren Körper und Ihre Arme in eine Position, in der Sie die Rückschlagkräfte abfangen können.** Die Bedienperson kann durch geeignete Vorsichtsmaßnahmen die Rückschlagkräfte beherrschen.
- b) **Arbeiten Sie besonders vorsichtig im Bereich von Ecken, scharfen Kanten usw. Verhindern Sie, dass Einsatzwerkzeuge vom Werkstück zurückprallen und verkleben.** Das rotierende Einsatzwerkzeug neigt bei Ecken, scharfen Kanten oder wenn es abprallt dazu, sich zu verkleben. Dies verursacht einen Kontrollverlust oder Rückschlag.
- c) **Verwenden Sie kein gezähntes Sägeblatt.** Solche Einsatzwerkzeuge verursachen häufig einen Rückschlag oder den Verlust der Kontrolle über das Elektrowerkzeug.
- d) **Führen Sie das Einsatzwerkzeug stets in der gleichen Richtung in das Material, in der die Schneidkante das Material verlässt (entspricht der gleichen Richtung, in der die Späne ausgeworfen werden).** Führen des Elektrowerkzeugs in die falsche Richtung bewirkt ein Ausbrechen der Schneidkante des Einsatzwerkzeuges aus dem Werkstück, wodurch das Elektrowerkzeug in diese Vorschubrichtung gezogen wird.
- e) **Spannen Sie das Werkstück bei der Verwendung von Drehfeilen, Trennscheiben, Hochgeschwindigkeitsfräsworkzeugen oder Hartmetall-Fräsworkzeugen stets fest.** Bereits bei geringer Verkantung in der Nut verhaken diese Einsatzwerkzeuge und können einen Rückschlag verursachen. Bei Verhaken einer Trennscheibe bricht diese gewöhnlich. Bei Verhaken von Drehfeilen, Hochgeschwindigkeitsfräsworkzeugen oder Hartmetall-Fräsworkzeugen, kann der Werkzeugeinsatz aus der Nut springen und zum Verlust der Kontrolle über das Elektrowerkzeug führen.

Zusätzliche Sicherheitshinweise zum Schleifen und Trennschleifen

Besondere Sicherheitshinweise zum Schleifen und Trennschleifen:

- a) Verwenden Sie ausschließlich die für Ihr Elektrowerkzeug zugelassenen Schleifkörper und nur für die empfohlenen Einsatzmöglichkeiten. Beispiel: Schleifen Sie nie mit der Seitenfläche einer Trennscheibe. Trennscheiben sind zum Materialabtrag mit der Kante der Scheibe bestimmt. Seitliche Kräfteinwirkung auf diese Schleifkörper kann sie zerbrechen.
- b) Verwenden Sie für konische und gerade Schleifstifte mit Gewinde nur unbeschädigte Dorne der richtigen Größe und Länge, ohne Hinterschneidung an der Schulter. Geeignete Dorne verhindern die Möglichkeit eines Bruchs.
- c) Vermeiden Sie ein Blockieren der Trennscheibe oder zu hohen Anpressdruck. Führen Sie keine übermäßig tiefen Schnitte aus. Eine Überlastung der Trennscheibe erhöht deren Beanspruchung und die Anfälligkeit zum Verankern oder Blockieren und damit die Möglichkeit eines Rückschlags oder Schleifkörperbruchs.
- d) Meiden Sie mit Ihrer Hand den Bereich vor und hinter der rotierenden Trennscheibe. Wenn Sie die Trennscheibe im Werkstück von Ihrer Hand wegbewegen, kann im Falle eines Rückschlags das Elektrowerkzeug mit der sich drehenden Scheibe direkt auf Sie zugeschleudert werden.
- e) Falls die Trennscheibe verklemmt oder Sie die Arbeit unterbrechen, schalten Sie das Gerät aus und halten Sie es ruhig, bis die Scheibe zum Stillstand gekommen ist. Versuchen Sie nie, die noch laufende Trennscheibe aus dem Schnitt zu ziehen, sonst kann ein Rückschlag erfolgen. Ermitteln und beheben Sie die Ursache für das Verklemmen.
- f) Schalten Sie das Elektrowerkzeug nicht wieder ein, solange es sich im Werkstück befindet. Lassen Sie die Trennscheibe erst ihre volle Drehzahl erreichen, bevor Sie den Schnitt vorsichtig fortsetzen. Anderenfalls kann die Scheibe verhaken, aus dem Werkstück springen oder einen Rückschlag verursachen.

- g) Stützen Sie Platten oder große Werkstücke ab, um das Risiko eines Rückschlags durch eine eingeklemmte Trennscheibe zu vermeiden. Große Werkstücke können sich unter ihrem eigenen Gewicht durchbiegen. Das Werkstück muss auf beiden Seiten der Scheibe abgestützt werden, und zwar sowohl in der Nähe des Trennschnitts als auch an der Kante.
- h) Seien Sie besonders vorsichtig bei Tauchschnitten in bestehende Wände oder andere nicht einsehbare Bereiche. Die eintauchende Trennscheibe kann beim Schneiden in Gas- oder Wasserleitungen, elektrische Leitungen oder andere Objekte einen Rückschlag verursachen.

Zusätzliche Sicherheitshinweise zum Arbeiten mit Drahtbürsten

Besondere Sicherheitshinweise zum Arbeiten mit Drahtbürsten:

- a) Beachten Sie, dass die Drahtbürste auch während des üblichen Gebrauchs Drahtstücke verliert. Überlasten Sie die Drähte nicht durch zu hohen Anpressdruck. Wegfliegende Drahtstücke können sehr leicht durch dünne Kleidung und / oder die Haut dringen.
- b) Lassen Sie Bürsten vor dem Einsatz mindestens eine Minute mit Arbeitsgeschwindigkeit laufen. Achten Sie darauf, dass in dieser Zeit keine andere Person vor oder in gleicher Linie mit der Bürste steht. Während der Einlaufzeit können lose Drahtstücke wegfliegen.
- c) Richten Sie die rotierende Drahtbürste von sich weg. Beim Arbeiten mit diesen Bürsten können kleine Partikel und winzige Drahtstücke mit hoher Geschwindigkeit wegfliegen und durch die Haut dringen.

Sicherheitshinweise für Ladegeräte

- Dieses Gerät kann von Kindern ab 8 Jahren und darüber sowie von Personen mit verringerten physischen, sensorischen oder mentalen Fähigkeiten oder Mangel an Erfahrung und Wissen benutzt werden, wenn sie beaufsichtigt oder bezüglich des sicheren Gebrauchs des Gerätes unterwiesen wurden und die daraus resultierenden Gefahren verstehen. Kinder dürfen nicht mit dem Gerät spielen. Reinigung und Benutzer-Wartung dürfen nicht von Kindern ohne Beaufsichtigung durchgeführt werden.
- Wenn die Netzanschlussleitung dieses Gerätes beschädigt wird, muss sie durch den Hersteller oder seinen Kundendienst oder eine ähnlich qualifizierte Person ersetzt werden, um Gefährdungen zu vermeiden.



Das Ladegerät ist nur für den Betrieb im Innenbereich geeignet.

WARNUNG!

- Betreiben Sie das Gerät nicht mit beschädigtem Kabel, Netzkabel oder Netzstecker. Beschädigte Netzkabel bedeuten Lebensgefahr durch elektrischen Schlag.

Bedienung

- Verwenden Sie das Gerät niemals zweckentfremdet und nur mit Originalteilen / -zubehör. Der Gebrauch anderer als in der Bedienungsanleitung empfohlener Teile oder anderen Zubehörs kann eine Verletzungsgefahr für Sie bedeuten.

Akku-Pack laden

HINWEIS

- ▶ Ein neuer oder lange Zeit nicht genutzter Akku-Pack muss vor der ersten / erneuten Benutzung aufgeladen werden. Seine volle Kapazität erreicht der Akku-Pack nach ca. 3-5 Ladezyklen. Ein Ladevorgang dauert ca. 180 Minuten.

VORSICHT! VERLETZUNGSGEFAHR!

- ▶ Ziehen Sie immer den Netzstecker, bevor Sie den Akku-Pack aus dem Ladegerät nehmen bzw. einsetzen.
- ◆ Stecken Sie den Akku-Pack **4** in die Ladeschale **8**. Dieser lässt sich nur in der richtigen Polung einsetzen.
- ◆ Schließen Sie das Netzteil **9** an eine Steckdose an.
- ◆ Solange der Akku-Pack geladen wird, leuchtet die rote Ladezustandsanzeige **10**. Ist der Ladevorgang abgeschlossen, erlischt die rote Ladezustandsanzeige **10** und die grüne Ladezustandsanzeige **10a** leuchtet. Der Akku-Pack **4** ist einsatzbereit.

VORSICHT!

- ▶ Laden Sie einen Akku-Pack niemals unmittelbar nach dem Ladevorgang ein zweites Mal auf. Es besteht die Gefahr, dass der Akku-Pack überladen wird.

Akku-Pack ins Gerät einsetzen / entnehmen

Akku-Pack einsetzen:

- ◆ Stellen Sie den EIN- / AUS-Schalter **1** auf die Position „OFF“.
- ◆ Stecken Sie den Akku-Pack **4** in das Gerät, bis er einrastet.

Akku-Pack entnehmen:

- ◆ Drücken Sie gleichzeitig die seitlichen Tasten der Akku-Entriegelung **3** und entnehmen Sie den Akku-Pack **4**.

Akkuzustand ablesen

Der Zustand bzw. die Restleistung wird bei eingeschaltetem Gerät in der Akku-LED 2 wie folgt angezeigt:

ROT / ORANGE / GRÜN = maximale Ladung

ROT / ORANGE = mittlere Ladung

ROT = schwache Ladung – Akku aufladen

Werkzeug / Spannzange einsetzen / wechseln

- ◆ Betätigen Sie die Spindelarretierung **7** und halten Sie diese gedrückt.
- ◆ Drehen Sie die Spannmutter **5** bis die Arretierung einrastet.
- ◆ Lösen Sie die Spannmutter **5** mit dem Kombischlüssel **22** vom Gewinde.
- ◆ Entnehmen Sie ggf. ein eingesetztes Werkzeug.
- ◆ Schieben Sie zuerst das vorgesehene Werkzeug durch die Spannmutter **5** bevor Sie es in die zum Werkzeugschaft passende Spannzange **17** stecken.
- ◆ Betätigen Sie die Spindelarretierung **7** und halten Sie diese gedrückt.
- ◆ Stecken Sie die Spannzange **17** in den Gewindeeinsatz und schrauben Sie dann die Spannmutter **5** mit dem Kombischlüssel **22** am Gewinde fest.

HINWEIS

- ▶ Verwenden Sie die Schraubendreherseite des Kombischlüssels **22** zum Lösen und Festziehen der Schraube der Spanndornen **12**.

Ein- und ausschalten / Drehzahlbereich einstellen

Einschalten / Drehzahlbereich einstellen:

- ◆ Stellen Sie den Ein- / Aus-Schalter mit Drehzahlregulierung **1** auf eine Position zwischen „1“ und „MAX“.

Ausschalten:

- ◆ Stellen Sie den Ein- / Aus-Schalter mit Drehzahlregulierung **1** auf die Position „OFF“.

Hinweise zu Materialbearbeitung / Werkzeug / Drehzahlbereich

- Verwenden Sie die Fräsbits **19** zur Bearbeitung von Stahl und Eisen unter Höchstdrehzahl.
- Ermitteln Sie den Drehzahlbereich zur Bearbeitung von Zink, Zinklegierungen, Aluminium, Kupfer und Blei durch Versuche an Probestücken.
- Bearbeiten Sie Kunststoffe und Materialien mit niedrigem Schmelzpunkt im niedrigen Drehzahlbereich.
- Bearbeiten Sie Holz mit hohen Drehzahlen.
- Führen Sie Reinigungs-, Polier- und Schwabbelarbeiten im mittleren Drehzahlbereich durch.

Die nachfolgenden Angaben sind unverbindliche Empfehlungen. Testen Sie beim praktischen Arbeiten auch selbst, welches Werkzeug und welche Einstellung für das zu bearbeitende Material optimal geeignet sind.

Geeignete Drehzahl einstellen:

Ziffer an der Drehzahlregulierung ①	zu bearbeitendes Material		
1-3	Kunststoff und Werkstoffe mit niedrigem Schmelzpunkt	6	Hartholz
4-5	Gestein, Keramik	Max	Stahl
5	Weichholz, Metall		

Anwendungsbeispiele / geeignetes Werkzeug auswählen:

Funktion	Zubehör	Verwendung	Überstand (min-max) mm
Bohren	HSS-Bohrer ⑪	Holz bearbeiten	18-25 beim kleinsten Bohrer ist der Überstand 10 mm
Fräsen	Fräsbits ⑲	Vielseitige Arbeiten; z.B. Ausbuchten, Aushöhlen, Formen, Nuten oder Schlitzte erstellen	18-25
Gravieren	Gravierbits ⑳	Kennzeichnung anfertigen, Bastelarbeiten	18-25
Polieren, Entrosten VORSICHT! Üben Sie nur leichten Druck mit dem Werkzeug auf das Werkstück aus.	Metallbürste ⑮	Entrosten	9-15
	Polierscheiben ⑬	Verschiedene Metalle und Kunststoffe, insbesondere Edelmetalle wie Gold oder Silber bearbeiten	12-18
Säubern	Kunststoffbürsten ⑱	z.B. schlecht zugängliche Kunststoffgehäuse säubern oder den Umgebungsbereich eines Türschlosses säubern	9-15
Schleifen	Schleifscheiben ⑭	Schleifarbeiten an Gestein, Holz, feine Arbeiten an harten Materialien, wie Keramik oder legiertem Stahl	12-18
	Schleifbits ㉑		10
Trennen	Trennscheiben ⑯	Metall, Kunststoff und Holz bearbeiten	12-18

- Der maximale Durchmesser von zusammengesetzten Schleifkörpern, Schleifkonen und Schleifstiften mit Gewindeeinsatz 55 mm darf nicht überschritten werden.
Der maximale Durchmesser für Sandpapier-Schleifzubehör 80 mm darf ebendfalls nicht überschritten werden.

HINWEIS

- ▶ Die max. zulässige Länge eines Spanndorns beträgt 33 mm.
- Zubehör in der Original-Box lagern oder die Zubehörteile anderweitig gegen Beschädigung schützen.
- Das Zubehör trocken und nicht im Bereich aggressiver Medien lagern.

Tipps und Tricks

- Wenn Sie zu hohen Druck ausüben, kann das eingespannte Werkzeug zerbrechen und /oder das Werkstück beschädigt werden. Sie können optimale Arbeitsergebnisse erzielen, indem Sie das Werkzeug mit gleich bleibendem Drehzahlbereich und geringem Druck an das Werkstück führen.
- Halten Sie das Gerät beim Trennen mit beiden Händen fest.
- Beachten Sie die Daten und Informationen in der Tabelle, um zu verhindern, dass das Spindelende den Lochboden des Schleifwerkzeugs berührt.

Wartung und Reinigung

Das Gerät ist wartungsfrei.

- Entfernen Sie Verschmutzungen vom Gerät. Verwenden Sie dazu ein trockenes Tuch.
- Führen Sie jeweils zu Beginn und am Ende eines längeren Nichtgebrauches einen kompletten Aufladevorgang des Akku-Packs ④ durch.
- Soll ein Lithium-Ionen-Akku längere Zeit gelagert werden, muss regelmäßig der Ladezustand kontrolliert werden. Der optimale Ladezustand liegt zwischen 50 % und 80 %. Das optimale Lagerungsklima ist kühl und trocken.

⚠ WARNUNG!

- Lassen Sie Ihre Geräte von der Servicestelle oder einer Elektrofachkraft und nur mit Original-Ersatzteilen reparieren. Damit wird sichergestellt, dass die Sicherheit des Gerätes erhalten bleibt.

⚠ WARNUNG!

- Lassen Sie den Austausch des Steckers oder der Netzleitung immer vom Hersteller des Gerätes oder seinem Kundendienst ausführen. Damit wird sichergestellt, dass die Sicherheit des Gerätes erhalten bleibt.

HINWEIS

- ▶ Nicht aufgeführte Ersatzteile (wie z.B. Akku, Ladegerät) können Sie über unsere Callcenter bestellen.

Entsorgung



Die Verpackung besteht aus umweltfreundlichen Materialien, die Sie über die örtlichen Recyclingstellen entsorgen können.



Werfen Sie Elektrowerkzeuge nicht in den Hausmüll!

Gemäß Europäischer Richtlinie 2012/19/EU müssen verbrauchte Elektrowerkzeuge getrennt gesammelt und einer umweltgerechten Wiederverwertung zugeführt werden.



Werfen Sie Akkus nicht in den Hausmüll!

⚠️ WARNUNG!

- Entfernen Sie den Akku vor der Entsorgung!

Defekte oder verbrauchte Akkus müssen gemäß Richtlinie 2006/66/EC recycelt werden. Geben Sie Akku-Pack und / oder das Gerät über die angebotenen Sammeleinrichtungen zurück. Über Entsorgungsmöglichkeiten für ausgediente Elektrowerkzeuge / Akku-Pack informieren Sie sich bitte bei Ihrer Gemeinde- oder Stadtverwaltung.

Garantie der Kompersnaß Handels GmbH

Sehr geehrte Kundin, sehr geehrter Kunde,
 Sie erhalten auf dieses Gerät 3 Jahre Garantie ab Kaufdatum. Im Falle von Mängeln dieses Produkts stehen Ihnen gegen den Verkäufer des Produkts gesetzliche Rechte zu. Diese gesetzlichen Rechte werden durch unsere im Folgenden dargestellte Garantie nicht eingeschränkt.

Garantiebedingungen

Die Garantiefrist beginnt mit dem Kaufdatum. Bitte bewahren Sie den Original Kassenbon gut auf. Diese Unterlage wird als Nachweis für den Kauf benötigt.

Tritt innerhalb von drei Jahren ab dem Kaufdatum dieses Produkts ein Material- oder Fabrikationsfehler auf, wird das Produkt von uns – nach unserer Wahl – für Sie kostenlos repariert oder ersetzt. Diese Garantieleistung setzt voraus, dass innerhalb der Drei-Jahres-Frist das defekte Gerät und der Kaufbeleg (Kassenbon) vorgelegt und schriftlich kurz beschrieben wird, worin der Mangel besteht und wann er aufgetreten ist.

Wenn der Defekt von unserer Garantie gedeckt ist, erhalten Sie das reparierte oder ein neues Produkt zurück. Mit Reparatur oder Austausch des Produkts beginnt kein neuer Garantiezeitraum.

Garantiezeit und gesetzliche Mängelansprüche

Die Garantiezeit wird durch die Gewährleistung nicht verlängert. Dies gilt auch für ersetzte und reparierte Teile. Eventuell schon beim Kauf vorhandene Schäden und Mängel müssen sofort nach dem Auspacken gemeldet werden. Nach Ablauf der Garantiezeit anfallende Reparaturen sind kostenpflichtig.

Garantieumfang

Das Gerät wurde nach strengen Qualitätsrichtlinien sorgfältig produziert und vor Auslieferung gewissenhaft geprüft.

Die Garantieleistung gilt für Material- oder Fabrikationsfehler. Diese Garantie erstreckt sich nicht auf

Produktteile, die normaler Abnutzung ausgesetzt sind und daher als Verschleißteile angesehen werden können oder für Beschädigungen an zerbrechlichen Teilen, z. B. Schalter, Akkus, Backformen oder Teile die aus Glas gefertigt sind.

Diese Garantie verfällt, wenn das Produkt beschädigt, nicht sachgemäß benutzt oder gewartet wurde. Für eine sachgemäße Benutzung des Produkts sind alle in der Bedienungsanleitung aufgeführten Anweisungen genau einzuhalten. Verwendungszwecke und Handlungen, von denen in der Bedienungsanleitung abgeraten oder vor denen gewarnt wird, sind unbedingt zu vermeiden.

Das Produkt ist nur für den privaten und nicht für den gewerblichen Gebrauch bestimmt. Bei missbräuchlicher und unsachgemäßer Behandlung, Gewaltanwendung und bei Eingriffen, die nicht von unserer autorisierten Service-Niederlassung vorgenommen wurden, erlischt die Garantie.

Abwicklung im Garantiefall

Um eine schnelle Bearbeitung ihres Anliegens zu gewährleisten, folgen Sie bitte den folgenden Hinweisen:

- Bitte halten Sie für alle Anfragen den Kassenbon und die Artikelnummer (z. B. IAN 12345) als Nachweis für den Kauf bereit.
- Die Artikelnummer entnehmen Sie bitte dem Typenschild, einer Gravur, auf dem Titelblatt ihrer Anleitung (unten links) oder als Aufkleber auf der Rück- oder Unterseite.
- Sollten Funktionsfehler oder sonstige Mängel auftreten kontaktieren Sie zunächst die nachfolgend benannte Serviceabteilung **telefonisch** oder per **E-Mail**.
- Ein als defekt erfasstes Produkt können Sie dann unter Beifügung des Kaufbelegs (Kassenbon) und der Angabe, worin der Mangel besteht und wann er aufgetreten ist, für Sie portofrei an die Ihnen mitgeteilte Service Anschrift übersenden.



Auf www.lidl-service.com können Sie diese und viele weitere Handbücher, Produktvideos und Software herunterladen.

Service

DE Service Deutschland

Tel.: 0800 5435 111 (Kostenfrei aus dem dt. Festnetz/Mobilfunknetz)

E-Mail: kompernass@lidl.de

AT Service Österreich

Tel.: 0820 201 222 (0,15 EUR/Min.)

E-Mail: kompernass@lidl.at

CH Service Schweiz

Tel.: 0842 665566 (0,08 CHF/Min., Mobilfunk max. 0,40 CHF/Min.)

E-Mail: kompernass@lidl.ch

IAN 279872

Importeur

Bitte beachten Sie, dass die folgende Anschrift keine Serviceanschrift ist. Kontaktieren Sie zunächst die benannte Servicestelle.

KOMPERNASS HANDELS GMBH

BURGSTRASSE 21

44867 BOCHUM

GERMANY

www.kompernass.com

Original- Konformitätserklärung

Wir, KOMPERNASS HANDELS GMBH, Dokumentenverantwortlicher: Herr Semi Uguzlu, BURGSTR. 21, 44867 BOCHUM, Deutschland, erklären hiermit, dass dieses Produkt mit den folgenden Normen, normativen Dokumenten und EG-Richtlinien übereinstimmt:

**Maschinenrichtlinie
(2006 / 42 / EC)**

**EG-Niederspannungsrichtlinie
(2014 / 35 / EU)**

**Elektromagnetische Verträglichkeit
(2014 / 30 / EU)**

**RoHS Richtlinie
(2011 / 65 / EU)**

Angewandte harmonisierte Normen:

EN 60745-1:2009/A11:2010
 EN 60745-2-23:2013
 EN 55014-1:2006/A2:2011
 EN 55014-2:2015
 EN 60335-1:2012/A11:2014
 EN 60335-2-29:2004/A2:2010
 EN 61000-3-2:2014
 EN 61000-3-3:2013
 EN 62233:2008

Typbezeichnung der Maschine:

Akku-Feinbohrschleifer PFBS 12 A1

Herstellungsjahr: 07-2016

Seriennummer: IAN 279872

Bochum, 08.06.2016




Semi Uguzlu

- Qualitätsmanager -

Technische Änderungen im Sinne der Weiterentwicklung sind vorbehalten.

KOMPERNASS HANDELS GMBH

BURGSTRASSE 21

44867 BOCHUM

DEUTSCHLAND/GERMANY

www.kompernass.com

Last Information Update · Stan informacij

Informacijos data · Stand der Informationen:

06/2016 · Ident.-No.: PFBS12A1-062016-1

IAN 279872