



CORDLESS MULTI-GRINDER PFBS 12 A1

(GB) (CY)

CORDLESS MULTI-GRINDER

Translation of the original instructions

(RO)

APARAT DE SLEFUIT MULTIFUNCTIONAL, CU ACUMULATOR

Traducerea instrucțiunilor de utilizare original

(HR)

AKU BRUSILICA

Prijevod originalnih uputa za uporabu

(DE) (AT) (CH)

AKKU-FEINBOHRSCHLEIFER

Originalbetriebsanleitung

IAN 279872



GB CY

Before reading, unfold the page containing the illustrations and familiarise yourself with all functions of the device.

HR

Prije nego što pročitate tekst, otvorite stranicu sa slikama i upoznajte se na osnovu toga sa svim funkcijama uređaja.

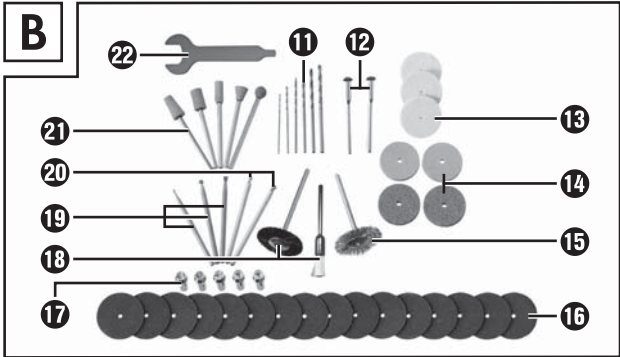
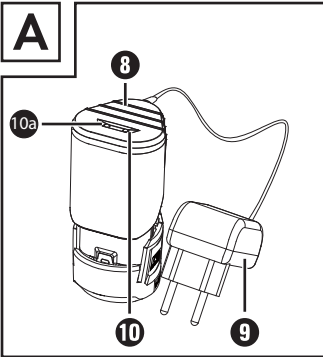
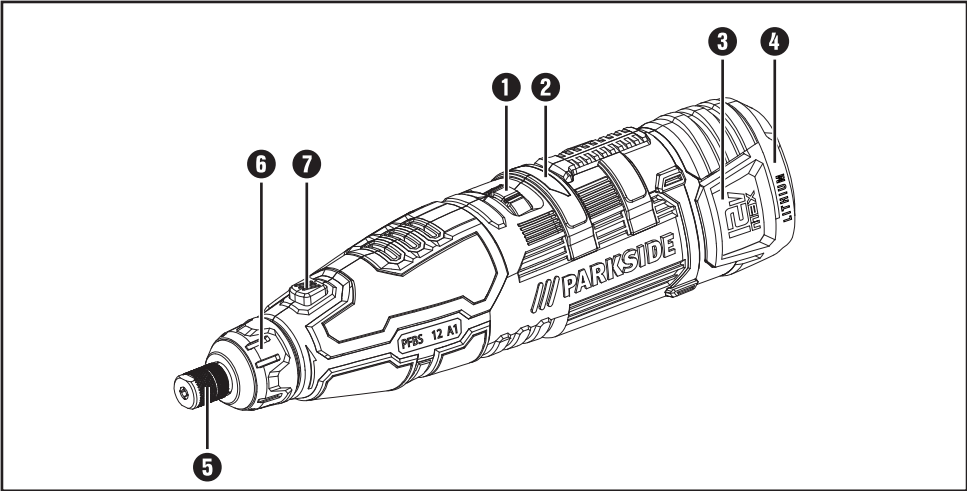
RO

Înainte de a citi instrucțiunile, priviți imaginile și familiarizați-vă cu toate funcțiile aparatului.

DE AT CH

Klappen Sie vor dem Lesen die Seite mit den Abbildungen aus und machen Sie sich anschließend mit allen Funktionen des Gerätes vertraut.

GB/CY	Translation of the original instructions	Page	1
HR	Prijevod originalnih uputa za uporabu	Stranica	15
RO	Traducerea instrucțiunilor de utilizare original	Pagina	31
DE/AT/CH	Originalbetriebsanleitung	Seite	47



Contents

Introduction	2
Intended use	2
Features	2
Package contents	2
Technical details	2
General Power Tool Safety Warnings	3
1. Work area safety	3
2. Electrical safety	3
3. Personal safety	4
4. Power tool use and care	4
5. Use and handling of the cordless electrical power tool	5
6. Service	5
Safety instructions for all applications	5
Additional safety instructions for all applications	7
Supplementary safety instructions for grinding and abrasive cutting	8
Supplementary safety instructions for working with wire brushes	8
Safety guidelines for battery chargers	9
Use	9
Charging the battery pack	9
Attaching/disconnecting the battery pack to/from the appliance	10
Checking the battery charge level	10
Changing/inserting the tool/collet chuck	10
Switching on and off/setting speed range	10
Notes on working with materials/tools/speed range	10
Tips and tricks	12
Maintenance and cleaning	12
Disposal	13
Kompersnass Handels GmbH warranty	13
Service	14
Importer	14
Translation of the original Conformity Declaration	14

CORDLESS MULTI-GRINDER PFBS 12 A1

Introduction

Congratulations on the purchase of your new appliance. You have selected a high-quality product.

The operating instructions are part of this product. They contain important information about safety, usage and disposal. Before using the product, please familiarise yourself with all operating and safety instructions. Use the product only as described and for the range of applications specified. Please also pass these operating instructions on to any future owner.

Intended use

This cordless precision drill/sander is intended for drilling, milling, engraving, polishing, cleaning, grinding, cutting of materials such as wood, metal, plastics, ceramics and stone in dry rooms using the corresponding attachments (as supplied). Any other usage of or modification to the appliance is deemed to be improper and carries a significant risk of accidents. The manufacturer accepts no responsibility for damage(s) attributable to misuse. This appliance is not intended for commercial use.

Features

Cordless precision drill/sander:

- ❶ ON/OFF switch/control dial
- ❷ Battery LED
- ❸ Battery release button
- ❹ Battery pack
- ❺ Tensioning nut
- ❻ Cap nut
- ❼ Spindle lock

Battery charger (see Fig. A):

- ❽ Charger cradle
- ❾ Mains adapter
- ❿ Red charge status indicator
- ⓫ Green charge status indicator

Accessories (See Fig. B):

- ❶ 6 HSS drill bits
- ❷ 2 mandrels as tool holders
- ❸ 3 polishing discs
- ❹ 4 grinding discs
- ❺ 1 metal brush
- ❻ 16 cutting discs
- ❼ 5 collet chucks
- ❽ 2 synthetic brushes
- ❾ 3 milling bits
- ❿ 2 engraving bits
- ⓫ 5 grinding bits
- ⓬ 1 combination spanner

Package contents

- 1 cordless multi-grinder
- 1 charger cradle with mains adapter
- 1 accessories set (50 pieces)
- 1 set of operating instructions

Technical details

Model PFBS 12 A1:

Rated voltage:	12 V --- (DC)
Rated idle speed:	n 5000–25000 rpm
Max. disc ø:	25 mm

Chuck clamping
range:  max. ø 3.2 mm

Battery pack PFBS 12 A1-1:

INPUT:

Rated voltage:	12 V --- (DC)
Capacity:	1300 mAh
Type:	LITHIUM ION


Battery charger PFBS 12 A1-2:

Primary (input):

Rated voltage:	100–240 V \sim , 50–60 Hz (alternating current)
----------------	--

Rated power
consumption: 0.3 A

Secondary (output):

Rated voltage:	14.5 V --- (DC)
Rated current:	450 mA
Charging time:	approx. 3 hours
Protection class:	II/  (double insulation)

Noise emission value:

Noise measurement value determined in accordance with EN 60745. The A-rated noise level of the tool is typically:

Sound pressure level: $L_{pA} = 60.5 \text{ dB (A)}$

Uncertainty: $K_{pA} = 3 \text{ dB}$

Sound power level: $L_{WA} = 71.5 \text{ dB (A)}$

Uncertainty K: $K_{WA} = 3 \text{ dB}$

Wear hearing protection!

Total vibration value:

$a_h = 1.07 \text{ m/s}^2$

Uncertainty K: 1.5 m/s^2

NOTE

- ▶ The vibration level specified in these instructions has been measured in accordance with a standardised measuring procedure and can be used to make equipment comparisons. The specified vibration emission value can also be used to make an initial exposure estimate.

⚠ WARNING!

- ▶ The vibration level varies in accordance with the use of the power tool and may be higher than the value specified in these instructions in some cases. Regular use of the power tool in such a way may cause the user to underestimate the vibration. Try to keep the vibration loads as low as possible. Measures to reduce the vibration load are, e.g. wearing gloves and limiting the working time. All states of operation must be taken into account (e.g. times when the power tool is switched off and times where the power tool is switched on but running without load).

General Power Tool Safety Warnings



⚠ WARNING!

- ▶ Read all safety warnings and all instructions. Failure to follow the warnings and instructions may result in electric shock, fire and/or serious injury.

Save all warnings and instructions for future reference.

The term "power tool" in the warnings refers to your mains-operated (corded) power tool or battery-operated (cordless) power tool.

1. Work area safety


- Keep work area clean and well lit.**
Cluttered or dark areas invite accidents.
- Do not operate power tools in explosive atmospheres, such as in the presence of flammable liquids, gases or dust.** Power tools create sparks which may ignite the dust or fumes.
- Keep children and bystanders away while operating a power tool.** Distractions can cause you to lose control.

2. Electrical safety

- Power tool plugs must match the outlet. Never modify the plug in any way. Do not use any adapter plugs with earthed (grounded) power tools.** Unmodified plugs and matching outlets will reduce risk of electric shock.
- Avoid body contact with earthed or grounded surfaces, such as pipes, radiators, ranges and refrigerators.** There is an increased risk of electric shock if your body is earthed or grounded.
- Do not expose power tools to rain or wet conditions.** Water entering a power tool will increase the risk of electric shock.
- Do not abuse the cord. Never use the cord for carrying, pulling or unplugging the power tool. Keep cord away from heat, oil, sharp edges or moving parts.** Damaged or entangled cords increase the risk of electric shock.

- e) When operating a power tool outdoors, use an extension cord suitable for outdoor use. Use of a cord suitable for outdoor use reduces the risk of electric shock.
- f) If operating a power tool in a damp location is unavoidable, use a residual current device (RCD) protected supply. Use of an RCD reduces the risk of electric shock.

3. Personal safety

- a) Stay alert, watch what you are doing and use common sense when operating a power tool. Do not use a power tool while you are tired or under the influence of drugs, alcohol or medication. A moment of inattention while operating power tools may result in serious personal injury.
- b)  Use personal protective equipment. Always wear eye protection. Protective equipment such as dust mask, non-skid safety shoes, hard hat, or hearing protection used for appropriate conditions will reduce personal injuries.
- c) Prevent unintentional starting. Ensure the switch is in the off-position before connecting to power source and/or battery pack, picking up or carrying the tool. Carrying power tools with your finger on the switch or energising power tools that have the switch on invites accidents.
- d) Remove any adjusting key or wrench before turning the power tool on. A wrench or a key left attached to a rotating part of the power tool may result in personal injury.
- e) Do not overreach. Keep proper footing and balance at all times. This enables better control of the power tool in unexpected situations.
- f) Dress properly. Do not wear loose clothing or jewellery. Keep your hair, clothing and gloves away from moving parts. Loose clothes, jewellery or long hair can be caught in moving parts.
- g) If devices are provided for the connection of dust extraction and collection facilities, ensure these are connected and properly used. Use of dust collection can reduce dust-related hazards.

4. Power tool use and care

- a) Do not force the power tool. Use the correct power tool for your application. The correct power tool will do the job better and safer at the rate for which it was designed.
- b) Do not use the power tool if the switch does not turn it on and off. Any power tool that cannot be controlled with the switch is dangerous and must be repaired.
- c) Disconnect the plug from the power source and/or the battery pack from the power tool before making any adjustments, changing accessories, or storing power tools. Such preventive safety measures reduce the risk of starting the power tool accidentally.
- d) Store idle power tools out of the reach of children and do not allow persons unfamiliar with the power tool or these instructions to operate the power tool. Power tools are dangerous in the hands of untrained users.
- e) Maintain power tools. Check for misalignment or binding of moving parts, breakage of parts and any other condition that may affect the power tools operation. If damaged, have the power tool repaired before use. Many accidents are caused by poorly maintained power tools.
- f) Keep cutting tools sharp and clean. Properly maintained cutting tools with sharp cutting edges are less likely to bind and are easier to control.
- g) Use the power tool, accessories and tool bits, etc. in accordance with these instructions, taking into account the working conditions and the work to be performed. Use of the power tool for operations different from those intended could result in a hazardous situation.

5. Use and handling of the cordless electrical power tool

- a) Charge a rechargeable battery unit using only the charger recommended by the manufacturer. Chargers are often designed for a particular type of rechargeable battery unit. There is the danger of fire if other types of rechargeable battery units are used.
- b) Only the rechargeable battery units supplied are to be used with an electrical power tool. The use of other rechargeable battery units may lead to the danger of injury or fire.
- c) When they are not being used, store rechargeable battery units away from paper clips, coins, keys, nails, screws or other small metal objects that could cause the contacts to be bridged. Short-circuiting the contacts of a rechargeable battery unit may result in heat damage or fire.
- d) Fluids may leak out of rechargeable battery units if they are misused. If this happens, avoid contact with the fluid. If contact occurs, flush the affected area with water. Seek additional medical help if any of the fluid gets into your eyes. Escaping battery fluid may cause skin irritation or burns.



CAUTION! RISK OF EXPLOSION!
Never charge non-rechargeable batteries!



Protect the rechargeable battery from heat, for example from continuous exposure to sunlight, fire, water and moisture. There is a risk of explosion.



6. Service

- a) Have your power tool serviced by a qualified repair person using only identical replacement parts. This will ensure that the safety of the power tool is maintained.

Safety instructions for all applications

General safety instructions for grinding, sandpaper sanding, working with wire brushes, polishing, milling and abrasive cutting:

- a) This power tool is intended for use as a grinder, sandpaper sander, wire brush, polisher, milling machine and abrasive cutting appliance. Please follow all safety instructions, instructions, diagrams and data that you receive with the appliance. If you do not observe the following instructions, this can lead to electrical shock, fire and/or serious injuries.
- b) Do not use any accessories that have not been provided or recommended by the manufacturer for this power tool. Just because you can attach the accessories to your power tool, does not ensure they are safe to use.
- c) The permissible speed of the accessory tool used must be at least as high as the maximum speed specified for the power tool. Accessories that rotate faster than the permissible rate can break and throw pieces into the air.
- d) The external diameter and thickness of the accessory tool used must comply with the dimensions of the power tool. Incorrectly dimensioned accessory tools cannot be sufficiently shielded or controlled.
- e) Grinding discs, sanding drums or other accessories must match the grinding spindle or collet chuck of your power tool exactly. Accessory tools which do not fit precisely into the take-up of the power tool will rotate unevenly, vibrate severely and can lead to a loss of control.
- f) Discs, grinding cylinders, cutting tools or other accessories mounted on a mandrel must be completely inserted in the collet or chuck. Any "protrusion" or exposed parts of the mandrel between the grinding tool and the collet or chuck must be kept to a minimum.

- If the mandrel is not sufficiently tightened or the grinding tool protrudes too far, the tool could come loose and been thrown out at high speed.
- g) **Never use damaged accessory tools. Before each use, check accessory tools such as grinding discs for chips or cracks, sanding drums for cracks, wearing or excessive wear and tear and wire brushes for loose or broken wires. If the power tool or the accessory tool in use is dropped, check to see if it is damaged or use an undamaged accessory tool. When you have checked and inserted the accessory tool, ensure that you and any other people in the vicinity remain outside of the range of the rotating accessory tool and allow the tool to rotate at maximum speed for one minute. Damaged accessory tools usually break during this test period.**
 - h) **Wear personal protective equipment. Depending on the application, ensure that you use full face protection, eye protection or goggles. If required, use a dust mask, ear protectors, protective gloves or special apron to protect you from grindings and material particles. Protected your eyes from flying debris that may be created during certain applications. Dust or filter masks must be used to filter any dust created by the application. If you are exposed to loud noise for any length of time, you may suffer hearing loss.**
 - i) **Ensure that other people remain at a safe distance to your workspace. Anyone who enters the workspace must wear personal protective equipment. Fragments of the workpiece or broken accessory tools can fly off and cause injury – even outside the immediate working area.**
 - j) **Hold the power tool only by the insulated gripping surfaces when performing an operation where the accessory tool may contact hidden wiring or its own cord. Contact with a live cable can also make metal parts of the appliance live and could result in an electric shock.**
 - k) **Always hold the power tool firmly. When running up to full speed, the torque of the motor can cause the power tool to twist.**
 - l) **If possible, use clamps to hold the workpiece in position. Never hold a small workpiece in one hand and the power tool in the other while you are using it. By clamping small workpieces, you keep both hands free for better control of the power tool. When cutting round workpieces such as dowels, rods or pipes, be aware that these can roll away and this can cause the tool to jam and be thrown towards you.**
 - m) **Hold the power cord away from any rotating accessories. If you lose control of the appliance, the cord may get cut or caught and your hand or arm could get caught in the rotating accessory tool.**
 - n) **Never put the power tool down until the accessory tool has come to a complete standstill. The rotating accessory tool can come into contact with the surface and cause you to lose control of the power tool.**
 - o) **When changing accessory tools or changing settings, tighten the collet nut, the chuck or other fixing elements tightly. Loose fixing elements can shift unexpectedly and lead to loss of control; unfixed, rotating components will fly off violently.**
 - p) **Do not leave the power tool running whilst carrying it. Accidental contact between your clothing and the rotating accessory tool could lead to physical injury.**
 - q) **Clean the ventilation slits of your power tool regularly. The engine fan draws dust into the housing and a strong accumulation of metal dust can cause electrical hazards.**
 - r) **Do not use the power tool in the vicinity of flammable materials. Sparks can ignite such materials.**
 - s) **Do not use any accessory tools which require liquid coolant. The use of water or other liquid coolants may lead to electric shock.**

Additional safety instructions for all applications

Kickback and corresponding safety instructions

Kickback is a sudden reaction caused when a rotating accessory tool, e.g. grinding disc, abrasive band, wire brush, etc., catches or jams. Catching or jamming leads to an abrupt stop of the rotating accessory tool. If this happens, an uncontrolled power tool will turn rapidly against the direction of rotation of the accessory tool.

If, for example, a grinding disc catches or jams, the edge of the grinding disc that is projecting into the workpiece can get caught and break off the grinding disc or cause a kickback. The grinding disc can then fly in the direction of the operator or away from him, depending on the direction of rotation of the disc at the blockage. This can also break grinding discs.

A kickback is caused by incorrect use or misuse of the power tool. This can be avoided by taking proper precautions as given below.

- a) Hold the power tool firmly in both hands and position your body and arms so they can absorb the force of a kickback. By taking adequate precautions, the operator can stay in control of the kickback forces.
- b) **Take special care when working around corners, sharp edges, etc. Avoid allowing the accessory tool to bounce back from the workpiece or jam in the workpiece.** The rotating accessory tool is more likely to jam in corners or sharp edges or if it rebounds off them. This can cause a loss of control or kickback.
- c) **Do not use toothed saw blades.** Such accessories often cause a kickback or loss of control over the power tool.
- d) **Always move the accessory tool in the same direction in the material in which the cutting edge leaves the material (in other words, the same direction in which the dust is thrown out).** Guiding the power tool in the wrong direction will cause the cutting edge of the accessory tool to jump out of the workpiece which can lead to the accessory tool being pulled in this direction.
- e) **Always fix the workpiece when using rotary files, cutting discs, high-speed milling tools or hard-metal tools.** Even a minimal tilting in the groove can cause these tools to jam and lead to a kickback. When the cutting disc jams, it usually breaks. When a rotary file, high-speed milling tool or hard-metal milling tool jams, the accessory tool can jump out of the groove and lead to loss of control of the power tool.

Supplementary safety instructions for grinding and abrasive cutting

Special safety instructions for grinding and abrasive cutting

- a) Use only the grinding accessories approved for your power tool and only for the recommended applications. Example: Never grind with the side surface of a cutting disc. Cutting discs are designed to remove material with the edge of the disc. Any lateral application of force on these grinding tools can lead to breakage.
- b) Use only undamaged mandrels of the correct size and length and without undercut on the shoulder for conical and straight pencil grinders. Using an appropriate mandrel reduces the risk of breakages.
- c) Avoid cutting disc jams or excessive contact pressure. Do not make any excessively deep cuts. Overloading the cutting disc increases the stress and likelihood of tilting or jamming and thus the possibility of kickback or breakage of the grinding tool.
- d) Avoid putting your hand in the area in front of or behind the rotating cutting disc. When you move the cutting disc away from your hand, it is possible, in the event of a kickback, that the power tool along with the rotating disc could be thrown out directly towards you.
- e) If the cutting disc jams or you stop working, switch the tool off and hold it steady until the disc has completely stopped turning. Never attempt to pull a rotating cutting disc out of a cut. This could lead to kickback. Identify and remove the cause of the jam.
- f) Do not switch the power tool back on as long as it is in the workpiece. Allow the cutting disc to reach its full speed before you carefully continue the cut. Otherwise, the disc may jam, jump out of the workpiece or cause kickback.

- g) Support panels or large workpieces to reduce the risk of the cutting disc jamming and causing a kickback. Large workpieces can bend under their own weight. The workpiece must be supported on both sides, namely in the vicinity of the cut, and also at the edge.
- h) Be particularly careful when making "pocket cuts" into existing walls or other obscured areas. The inserted cutting disc may cut into gas or water pipes, electrical wiring or other objects that can cause kickback.

Supplementary safety instructions for working with wire brushes

Special safety instructions for working with wire brushes:

- a) Be aware that the brush can lose wire bristles even during normal operation. Do not over-stress the wires by applying excessive pressure to the brush. The wire bristles can easily penetrate light clothing and/or skin.
- b) Allow the brush to run at working speed for at least one minute before applying it to the workpiece. Ensure that no one is standing in front of or in line with the brush during this time. Loose pieces of wire could fly off during the run-in period.
- c) Aim the rotating steel brush away from yourself. When working with these brushes, small particles and minute pieces of wire can fly off at great speed and pierce skin.

Safety guidelines for battery chargers

- This appliance may be used by children aged 8 years and above and by persons with limited physical, sensory or mental capabilities or lack of experience and knowledge, provided that they are under supervision or have been told how to use the appliance safely and are aware of the potential risks. Do not allow children to use the appliance as a plaything. Cleaning and user maintenance tasks may not be carried out by children unless they are supervised.
- To avoid potential risks, damaged mains cables should be replaced by the manufacturer, their customer service department or a similarly qualified person.



The charger is suitable for indoor use only.

⚠ WARNING!

- Do not operate the appliance with a damaged cable, power cable or power plug. A damaged power cable poses a threat of fatal electric shock.

Use

- Never use the appliance for other purposes and only original parts/accessories. Using attachments or accessory tools other than those recommended in the operating instructions can lead to a risk of injury.

Charging the battery pack

NOTE

- ▶ A new battery pack or a battery pack which has not been used for a long time will need to be charged before first use/reuse. It will reach its full capacity after 3–5 charge cycles. The charging process lasts around 180 minutes.

⚠ CAUTION! RISK OF INJURY!

- ▶ Always unplug the appliance before you remove the battery pack from or connect the battery pack to the charger.
- ◆ Insert the battery pack **4** into the charger cradle **8**. It can only be inserted with the correct polarity.
- ◆ Connect the mains adapter **9** to a mains power socket.
- ◆ As long as the battery pack is charging, the red battery charge indicator **10** lights up. Once charging is completed, the red battery charge indicator **10** goes off and the green battery charge indicator **10a** lights up. The battery pack **4** is ready for use.

⚠ CAUTION!

- ▶ Never recharge a battery pack again immediately after charging. There is a risk that the battery pack will become overcharged.

Attaching/disconnecting the battery pack to/from the appliance

Inserting the battery pack:

- ◆ Push the ON/OFF switch **1** to the "OFF" position.
- ◆ Insert the battery pack **4** into the appliance until it clicks into place.

Removing the battery pack:

- ◆ Press the two battery release buttons **3** on the side of the appliance at the same time and remove the battery pack **4**.

Checking the battery charge level

If the appliance is switched on, the status/remaining charge will be shown on the battery LED 2 as follows:

RED / ORANGE / GREEN = maximum charge

RED / ORANGE = medium charge

RED = low charge - charge the battery

Changing/inserting the tool/collet chuck

- ◆ Press the spindle lock **7** and hold it down.
- ◆ Turn the tensioning nut **5** until the lock clicks into place.
- ◆ Undo the tensioning nut **5** from the thread using the combination spanner **22**.
- ◆ Remove any tool which is inserted.
- ◆ First push the intended tool through the tensioning nut **5** before inserting it into the appropriate collet chuck **17** for the tool shaft.
- ◆ Press the spindle lock **7** and hold it down.
- ◆ Push the collet chuck **17** into the thread insert and screw the tensioning nut **5** tight with the combination spanner **22**.

NOTE

- ▶ Use the screwdriver side of the combination spanner **22** to undo and tighten the screw on the mandrel **12**.

Switching on and off/setting speed range

Switching on/setting the speed range:

- ◆ Set the ON/OFF switch with the speed control **1** to a position between "1" and "MAX".

Switching off:

- ◆ Set the ON/OFF switch with the speed control **1** to the "OFF" position .

Notes on working with materials/ tools/speed range

- Use the milling bits **19** for working on steel and iron at maximum speed.
- Determine the rotational speed range for working on zinc, zinc alloys, aluminium, copper and lead by trying it out on test pieces.
- Use a low rotational speed for work on plastics and materials with a low melting point.
- Use a high rotational speed for working on wood.
- Carry out cleaning, polishing and buffing work in the medium speed range.

The following are recommendations only and not binding. When carrying out practical work, carry out your own tests to see which tool and which settings are ideal for the material you are working on.

Setting a suitable rotational speed:

Number on the speed control ❶	Material being worked	Number on the speed control ❶	Material being worked
1-3	Plastics and materials with a low melting point	6	Hardwood
4-5	Stone, ceramics	Max	Steel
5	Soft wood, metal		

Application examples/selecting a suitable tool:

Function	Accessories	Use	Protrusion (min-max) mm
Drilling	HSS drills ❶	Working wood	18-25, using the smallest drill, the protrusion is 10 mm
Milling	Milling bits ❷	Various jobs; e.g. creating recesses, hollows, forms, grooves or slits	18-25
Engraving	Engraving bits ❸	Labelling, handicraft	18-25
Polishing, rust removal CAUTION! Exert only slight pressure when applying the tool to the workpiece.	Metal brush ❹	Rust removal	9-15
	Polishing discs ❺	Various metals and plastics, especially precious metals such as gold and silver	12-18
Cleaning	Synthetic brushes ❻	e.g. cleaning hard-to-access plastic housings or the area around a door lock	9-15
Grinding	Grinding discs ❻	Grinding work on stone, wood, fine work on hard materials such as ceramics or alloyed steel	12-18
	Grinding bits ❽		10
Disconnecting	Cutting discs ❾ metal	Working metal, plastic and wood	12-18

- Note that the maximum diameter of the grinding assembly, and of grinding cones and pencil grinders with a thread insert, may not exceed 55 mm and the maximum diameter for sand-paper sanding accessories may not exceed 80 mm.

NOTE

- ▶ The max. permissible length of a mandrel is 33 mm.
- Store the accessories in the original box or store the accessory components somewhere else to protect them from damage.
- Store the accessories somewhere dry and not in the vicinity of aggressive media.

Tips and tricks

- If you exert too much pressure, the fitted tool can break and/or the workpiece could be damaged. You will achieve optimum working results by moving the tool over the workpiece at a steady speed and while exerting light pressure.
- When carrying out cutting work, hold the appliance firmly with both hands.
- Observe the data and the information in the table to prevent the end of the spindle from touching the perforated base of the grinding tool.

Maintenance and cleaning

The appliance is maintenance-free.

- Remove all dirt from the appliance. Use a dry cloth to do this.
- At the beginning and end of an extended period of non-use, charge the battery pack **4** fully.
- If a lithium-ion battery is to be stored for an extended period, the charge level should be checked regularly. The optimum charge level is between 50% and 80%. The optimum storage environment is cool and dry.

⚠ WARNING!

- Have the power tool repaired by the service centre or a qualified electrician and only using genuine replacement parts. This will ensure that the safety of the appliance is maintained.

⚠ WARNING!

- Always ensure that the power plug or the mains cable is replaced only by the manufacturer of the appliance or by an approved customer service provider. This will ensure that the safety of the appliance is maintained.

NOTE

- ▶ Replacement parts not listed (such as the rechargeable battery, battery charger) can be ordered via our service hotline.

Disposal



The packaging is made from environmentally friendly material and can be disposed of at your local recycling plant.



Do not dispose of power tools in your normal household waste!

European Directive 2012/19/EU requires that worn-out power tools be collected separately and recycled in an environmentally compatible manner.



Do not dispose of batteries in your normal domestic waste!

⚠ WARNING!

- Remove the battery before disposal.

Defective or worn-out rechargeable batteries must be recycled according to Directive 2006/66/EC. Take the battery pack and/or appliance to a nearby collection facility. Please consult your local authorities regarding suitable disposal of worn out power tools/battery packs.

Kompernass Handels GmbH warranty

Dear Customer,

This appliance has a 3-year warranty valid from the date of purchase. If this product has any faults, you, the buyer, have certain statutory rights. Your statutory rights are not restricted in any way by the warranty described below.

Warranty conditions

The validity period of the warranty starts from the date of purchase. Please keep your original receipt in a safe place. This document will be required as proof of purchase.

If any material or production fault occurs within three years of the date of purchase of the product, we will either repair or replace the product for you at our discretion. This warranty service is dependent on you presenting the defective appliance and

the proof of purchase (receipt) and a short written description of the fault and its time of occurrence.

If the defect is covered by the warranty, your product will either be repaired or replaced by us. The repair or replacement of a product does not signify the beginning of a new warranty period.

Warranty period and statutory claims for defects

The warranty period is not prolonged by repairs effected under the warranty. This also applies to replaced and repaired components. Any damage and defects present at the time of purchase must be reported immediately after unpacking. Repairs carried out after expiry of the warranty period shall be subject to a fee.

Scope of the warranty

This appliance has been manufactured in accordance with strict quality guidelines and inspected meticulously prior to delivery.

The warranty covers material faults or production faults. The warranty does not extend to product parts subject to normal wear and tear or fragile parts such as switches, batteries, baking moulds or parts made of glass.

The warranty does not apply if the product has been damaged, improperly used or improperly maintained. The directions in the operating instructions for the product regarding proper use of the product are to be strictly followed. Uses and actions that are discouraged in the operating instructions or which are warned against must be avoided.

This product is intended solely for private use and not for commercial purposes. The warranty shall be deemed void in cases of misuse or improper handling, use of force and modifications/repairs which have not been carried out by one of our authorised Service centres.

Warranty claim procedure

To ensure quick processing of your case, please observe the following instructions:

- Please have the till receipt and the item number (e.g. IAN 12345) available as proof of purchase.
- You will find the item number on the type plate, an engraving on the front page of the instructions (bottom left), or as a sticker on the rear or bottom of the appliance.
- If functional or other defects occur, please contact the service department listed either by **telephone** or by **e-mail**.
- You can return a defective product to us free of charge to the service address that will be provided to you. Ensure that you enclose the proof of purchase (till receipt) and information about what the defect is and when it occurred.



You can download these instructions along with many other manuals, product videos and software on www.lidl-service.com.

Service

GB Service Great Britain
Tel.: 0871 5000 720 (£ 0.10/Min.)
E-Mail: kompennass@lidl.co.uk

CY Service Cyprus
Tel.: 8009 4409
E-Mail: kompennass@lidl.com.cy

IAN 279872

Importer

Please note that the following address is not the service address. Please use the service address provided in the operating instructions.

KOMPERNASS HANDELS GMBH
BURGSTRASSE 21
44867 BOCHUM
GERMANY
www.kompennass.com

Translation of the original Conformity Declaration

We, KOMPERNASS HANDELS GMBH, documents officer: Mr. Semi Uguzlu, BURGSTR. 21, 44867 BOCHUM, Germany, hereby declare that this product complies with the following standards, normative documents and the EC directives:

Machinery Directive
(2006/42/EC)

EC Low Voltage Directive
(2014/35/EU)

EMC (Electromagnetic Compatibility)
(2014/30/EU)

RoHS Directive
(2011/65/EU)

Applied harmonised standards:

EN 60745-1:2009/A11:2010
EN 60745-2-23:2013
EN 55014-1:2006/A2:2011
EN 55014-2:2015
EN 60335-1:2012/A11:2014
EN 60335-2-29:2004/A2:2010
EN 61000-3-2:2014
EN 61000-3-3:2013
EN 62233:2008

Type designation of machine:

Cordless multi-grinder PFBS 12 A1

Year of manufacture: 07-2016

Serial number: IAN 279872

Bochum, 08/06/2016

Semi Uguzlu
- Quality Manager -



The right to effect technical changes in the context of further development is reserved.

Sadržaj

Uvod	16
Namjenska uporaba	16
Oprema	16
Opseg isporuke	16
Tehnički podaci	16
Opće sigurnosne napomene za uporabu električnog alata	17
1. Sigurnost na radnom mjestu	17
2. Električna sigurnost	17
3. Sigurnost osoba	18
4. Korištenje i rukovanje električnim alatom	18
5. Korištenje i rukovanje baterijskim alatom	19
6. Servis	19
Sigurnosne napomene za sve primjene	19
Dodatne sigurnosne napomene za sve primjene	21
Dodatne sigurnosne napomene za brušenje i brusno rezanje	22
Dodatne sigurnosne napomene za radove čeličnim četkama	22
Sigurnosne napomene za punjače	23
Rukovanje	23
Punjenje paketa baterija	23
Umetanje paketa baterija u uređaj/vađenje	24
Očitavanje stanja baterije	24
Umetanje alata / stezne čeljusti / zamjena	24
Uključivanje i isključivanje / Podešavanje broja okretaja	24
Napomene o obradi materijala / Alat / Područje broja okretaja	24
Savjeti i trikovi	26
Održavanje i čišćenje	26
Zbrinjavanje	27
Jamstvo tvrtke Kompernass Handels GmbH	27
Servis	29
Uvoznik	29
Prijevod originalne izjave o sukladnosti	29

AKU BRUSILICA PFBS 12 A1

Uvod

Čestitamo na kupnji Vašeg novog uređaja. Time ste se odlučili za vrlo kvalitetan proizvod. Upute za uporabu sastavni su dio ovog proizvoda. One sadrže važne napomene za sigurnost, rukovanje i zbrinjavanje. Prije uporabe proizvoda upoznajte se sa svim napomenama za rukovanje i sa svim sigurnosnim napomenama. Proizvod koristite isključivo na opisani način i u navedenim područjima uporabe. U slučaju predaje proizvoda trećim osobama, priložite i također predajte i svu dokumentaciju.

Namjenska uporaba

Precizna baterijska rotacijska brusilica namijenjena je za bušenje, glodanje, graviranje, poliranje, čišćenje, brušenje, rezanje drveta, metala, plastike, keramike ili kamena u suhim prostorijama s odgovarajućim priborom (kao priloženo). Svaki drugi način uporabe i svaka izmjena uređaja smatra se nenamjenskom i krije znatnu opasnost od nezgode. Proizvođač ne preuzima odgovornost za štete nastale uslijed nenamjenskog korištenja uređaja. Uređaj nije predviđen za upotrebu u gospodarske svrhe.

Oprema

Baterijska precizna rotacijska brusilica:

- ➊ Prekidač Uklj/Isklj / Reguliranje broja okretaja
- ➋ LED baterije
- ➌ Tipka za deblokadu baterije
- ➍ Paket baterija
- ➎ Stezna matica
- ➏ Nazovna matica
- ➐ Blokada osovine

Punjač baterija (vidi sliku A):

- ➊ Postolje za punjenje
- ➋ Mrežni adapter
- ➌ Indikator stanja napunjenosti - crveni
- ➍ Indikator stanja napunjenosti - zeleni

Pribor (vidi sliku B):

- ➊ 6 HSS svrdla
- ➋ 2 Stezna klina za prihvat alata
- ➌ 3 Ploče za poliranje
- ➍ 4 Brusne ploče
- ➎ 1 Metalna četka
- ➏ 16 Reznih ploča
- ➐ 5 Steznih čeljusti
- ➑ 2 Plastične četke
- ➒ 3 Bita za glodanje
- ➓ 2 Bita za graviranje
- ➔ 5 Bita za brušenje
- ➕ 1 Kombinirani ključ

Opseg isporuke

- 1 aku brusilica
- 1 Punjač s mrežnim adapterom
- 1 Komplet s priborom (50 dijelova)
- 1 Upute za uporabu


Tehnički podaci

Model PFBS 12 A1:

Nazivni napon: 12 V --- (istosmjerna struja)

Nazivni broj okretaja u praznom hodu: n 5000-25000 min⁻¹

Maks ø ploče: 25 mm

Zatezno područje prihvatnika svrdla:  maks. ø 3,2 mm

Paket baterija PFBS 12 A1-1:

ULAZ / Input:

Nazivni napon: 12 V --- (istosmjerna struja)

Kapacitet: 1300 mAh

Tip: LI TIJ-I ONSKA

Punjač PFBS 12 A1-2:

Primarni (Ulaz / Input):

Nazivni napon: 100-240 V~, 50-60 Hz (izmjenična struja)

Nazivna snaga: 0,3 A

Sekundarni (Izlaz / Output):

Nazivni napon:	14,5 V \equiv (istosmjerna struja)
Nazivna struja:	450 mA
Vrijeme punjenja:	oko 3 sata
Razred zaštite:	II/□ (dvostruka izolacija)

Vrijednost emisije buke:

Mjerna vrijednost buke ustanovljena sukladno EN 60745. A-ocijenjena razina emisije buke električnog alata tipično iznosi:

Razina zvučnog tlaka:	$L_{pA} = 60,5 \text{ dB (A)}$
Nesigurnost:	$K_{pA} = 3 \text{ dB}$
Razina zvučne snage:	$L_{WA} = 71,5 \text{ dB (A)}$
Nesigurnost:	$K_{WA} = 3 \text{ dB}$

Nosite zaštitu sluha!

Ukupna vrijednost vibracija:

$a_h = 1,07 \text{ m/s}^2$

Odstupanje K: $1,5 \text{ m/s}^2$

NAPOMENA

- ▶ Razina vibracija navedena u ovim uputama izmjerena je u skladu s normiranim postupkom mjerenja i može se koristiti za usporedbu uređaja. Navedena razina emisije vibracija može se koristiti i za uvodnu procjenu izloženosti.

⚠ UPOZORENJE!

- ▶ Razina vibracija mijenja se ovisno o uporabi električnog alata i u mnogim slučajevima može biti iznad vrijednosti navedene u ovim uputama. Vibracijsko opterećenje može se i potcijeniti ako se električni alat redovito koristi na takav način. Nastojte održavati što manje opterećenje vibracijama. Primjerne mjere za smanjenje opterećenja vibracijama su nošenje rukavica prilikom uporabe uređaja i ograničenje radnog vremena. Pritom morate uzeti u obzir sve sastavne dijelove ciklusa pogona (primjerice razdoblja u kojima je električni uređaj isključen, kao i razdoblja u kojima je uređaj uključen ali radi bez opterećenja).

Opće sigurnosne napomene za uporabu električnog alata



⚠ UPOZORENJE!

- ▶ Pročitajte sve sigurnosne napomene i upute. Nepridržavanje sigurnosnih napomena i uputa može uzrokovati strujni udar, požar i/ili teške ozljede.

Sačuvajte sve sigurnosne napomene i upute za buduću uporabu.

Pojam „električni alat“ koji se koristi u sigurnosnim napomenama odnosi se na električni alat s mrežnim napajanjem (s mrežnim kabelom) i na električni alat s pogonom na baterije (bez mrežnog kabela).

1. Sigurnost na radnom mjestu

- Radno mjesto držite čistim i dobro osvijetljenim. Neuredno i neosvijetljeno radno mjesto može uzrokovati nezgode.
- Električni alat ne koristite u eksplozivnom okruženju u kojem se nalaze zapaljive tekućine, plinovi ili prašina. Električni uređaji stvaraju iskre koje mogu zapaliti prašinu ili pare.
- Djecu i druge osobe držite podalje tijekom korištenja električnog alata. U slučaju nepažnje možete izgubiti kontrolu nad uređajem.

2. Električna sigurnost


- Utikač električnog alata mora pristajati u utičnicu. Utikač se ni na koji način ne smije mijenjati. Ne koristite adapterske utikače s uzemljenim električnim alatom. Neizmijenjeni utikači i odgovarajuće utičnice umanjuju rizik od strujnog udara.
- Izbjegavajte tjelesni kontakt s uzemljenim površinama kao što su cijevi, sustavi grijanja, štednjaci ili hladnjaci. Rizik od strujnog udara veći je kada je tijelo uzemljeno.
- Električni alat zaštitite od kiše i vlage. Prodiranje vode u električni uređaj povećava rizik od strujnog udara.

- d) Ne koristite kabel za druge namjene, primjerice za nošenje uređaja, vješanje uređaja ili izvlačenje utikača iz utičnice. Kabel uređaja držite podalje od izvora topline, ulja, oštih bridova i pokretnih dijelova uređaja. Oštećeni ili zapetljani kabeli povećavaju rizik od strujnog udara.
- e) Ako električni alat koristite na otvorenom, koristite samo produžne kabele koji su odobreni za uporabu na otvorenom. Uporaba takve vrste produžnog kabela prikladnog za uporabu na otvorenom umanjuje rizik od strujnog udara.
- f) Ako nije moguće izbjeći uporabu električnog alata u vlažnom okruženju, koristite fido sklopku. Korištenje fido sklopke smanjuje rizik od strujnog udara.

**Oprez!**

Upozorenje: Mogućnost strujnog udara !
Ne otvarati kućište proizvoda !

3. Sigurnost osoba

- a) Uvijek budite pažljivi i pazite na ono što radite, i električnim alatom rukujte razumno. Električni alat ne koristite ako ste umorni ili pod utjecajem droga, alkohola ili lijekova. Samo jedan trenutak nepažnje za vrijeme uporabe električnog alata može dovesti do ozbiljnih ozljeda.
- b)  Nosite osobnu zaštitnu opremu i uvijek nosite zaštitne naočale. Nošenje osobne zaštitne opreme kao što je maska protiv prašine, nošenje sigurnosnih cipela s potplatima koji ne klize, zaštitnih rukavica, zaštitne kacige ili zaštite za sluh – ovisno o vrsti i namjeni električnog alata – umanjuje rizik od ozljeda.
- c) Izbjegavajte nehotično uključivanje uređaja. Uvjerite se da je električni alat isključen prije nego ga priključite na napajanje i/ili bateriju, uhvatite ili nosite. Ako prilikom nošenja uređaja prst držite na prekidaču UKLJ/ISKLJ ili priključite napajanje uključenog uređaja, može doći do nezgode.

- d) Alat za podešavanje ili ključeve za matice uklonite prije uključivanja električnog alata. Alat ili ključ koji se nalazi u rotirajućem dijelu uređaja mogu dovesti do ozljeda.
- e) Izbjegavajte neprirodan položaj tijela. Pobrižite se da čvrsto stojite i održavajte ravnotežu u svakom trenutku. Na taj ćete način moći bolje kontrolirati električni alat u neočekivanim situacijama.
- f) Nosite prikladnu odjeću. Ne nosite široku odjeću ili nakit. Kosu, odjeću i rukavice držite podalje od pokretnih dijelova. Pokretni dijelovi mogu zahvatiti ležernu, široku odjeću, nakit ili kosu.
- g) Ako je moguće montirati usisivač i sustav za prihvat piljevine, uvjerite se da su priključeni i da se ispravno koriste. Uporaba usisivača može smanjiti ugroženost prašinom.

4. Korištenje i rukovanje električnim alatom

- a) Ne preopterećujte uređaj. Koristite električni alat prikladan za vrstu posla koji obavljate. Prikladnim električnim alatom moći ćete bolje i sigurnije raditi u navedenom području.
- b) Ne koristite električne alate s oštećenim prekidačima. Električni alat koji ne možete uključiti i isključiti opasan je i treba ga popraviti.
- c) Izvucite utikač iz utičnice i/ili odstranite bateriju prije nego što započnete podešavati uređaj, mijenjati pribor ili odložite uređaj. Ova mjera predostrožnosti onemogućuje nehotično uključivanje uređaja.
- d) Električni alat koji se ne koristi čuvajte izvan dohvata djece. Osobama koje nisu upoznate s načinom rada uređaja ili nisu pročitale upute nemojte dozvoliti da koriste uređaj. Električni alat je opasan ako njime rukuju osobe bez iskustva.

- e) Pažljivo održavajte električni alat. Provjerite rade li svi pokretni dijelovi uređaja besprijekorno i da slučajno nisu zaglavljani. Provjerite da dijelovi uređaja eventualno nisu odlomljeni ili da dijelovi nisu do te mjere oštećeni, da ometaju rad električnog alata. Prije uporabe uređaja oštećene dijelove dajte popraviti. Mnoge nesreće uzrokovane su loše održanim električnim alatom.
- f) Sav alat za rezanje održavajte oštrim i čistim. Pažljivo održavani alat za rezanje s oštrim oštricama rjeđe se zaglavљуje i lakše se navodi.
- g) Električni alat, pribor i drugi alat koristite prema odgovarajućim uputama. Pritom u obzir uvijek uzmite i uvjete rada, kao i vrstu posla koji treba obaviti. Uporaba električnog alata u druge svrhe osim ovdje opisanih može uzrokovati opasne situacije.

5. Korištenje i rukovanje baterijskim alatom

- a) Baterije punite samo pomoću punjača koje je preporučio proizvođač uređaja. Kod punjača predviđenog za određenu vrstu baterija postoji opasnost od požara ako se koristi s drugom vrstom baterija.
- b) U električnim uređajima koristite samo za to predviđene baterije. Uporaba drugih vrsta baterija može dovesti do ozljeda i do opasnosti od požara.
- c) Bateriju koja se ne koristi držite podalje od metalnih spajalica, kovanica, ključeva, čavala, vijaka i drugih sitnih metalnih predmeta koji mogu premostiti kontakte. Kratki spoj između kontakata baterije može uzrokovati opekline ili požar.
- d) U slučaju pogrešne primjene može doći do curenja tekućine iz baterije. Izbjegavajte kontakt s takvom tekućinom. U slučaju kontakta isperite vodom. Ako tekućina dospije u oči, zatražite dodatnu liječničku pomoć. Tekućina koja iscuri iz baterija može dovesti do iritacije kože i do opekline.



OPREZ! OPASNOST OD EKSPLOZIJE!
Baterije koje nisu predviđene za ponovno punjenje nikako se ne smiju

puniti.



Bateriju zaštitite od visokih temperatura, npr. i od trajnog utjecaja sunčeve svjetlosti, vatre, vode i vlage.



Postoji opasnost od eksplozije.



6. Servis

- a) Popravak električnog alata prepustite isključivo kvalificiranim stručnjacima i koristite samo originalne rezervne dijelove. Na taj način osiguravate trajnu sigurnost električnog alata.

Sigurnosne napomene za sve primjene

Zajedničke sigurnosne napomene za brušenje, brušenje brusnim papirom, radove sa žičanim četkama, poliranje, glodanje ili rezanje:

- a) Ovaj električni alat može se koristiti kao brusilica, uređaj za brušenje brusnim papirom, kao čelična četka, uređaj za poliranje, glodanje, i kao stroj za rezanje brusnom pločom. Poštujte sve sigurnosne napomene, naputke, ilustracije i podatke koje ste primili skupa s uređajem. Ako ne poštujete sljedeće naputke, može doći do strujnog udara, požara i/ili teških ozljeda.
- b) Ne koristite opremu koju proizvođač nije posebno predvidio i preporučio za ovaj električni alat. Samo zato što opremu možete pričvrstiti na Vaš električni uređaj ne jamči sigurnu uporabu.
- c) Dopušteni broj okretaja primijenjenog alata mora kvantitativno odgovarati najvećem dopuštenom broju okretaja navedenom na električnom alatu. Oprema koja se vrti brže nego što je dopušteno, može se slomiti i letjeti okolo.

- d) **Vanjski promjer i debljina primijenjenog alata moraju odgovarati navodima u pogledu dimenzije Vašeg električnog alata.** Pogrešno dimenzionirani primijenjeni alati ne mogu biti dostatno zaklonjeni ili kontrolirani.
- e) **Brusne ploče, brusni valjci i druga oprema moraju precizno odgovarati brusnom vretenu ili zateznim čeljustima Vašeg električnog alata.** Primijenjeni alati koji ne pristaju precizno u prihvat električnog alata, okreću se neravnomjerno, snažno vibriraju i mogu dovesti do gubitka kontrole.
- f) **Na trnu montirane ploče, brusni cilindri, alati za rezanje i druga oprema moraju potpuno biti umetnuti u zateznu čeljust ili prihvatnik alata.** „Višak“, odnosno slobodni dio trna između brusnog tijela i zatezne čeljusti ili prihvatnika alata mora biti minimalan. Ako trn ne zategnete u dovoljnoj mjeri ili brusno tijelo stoji previše istureno, može se dogoditi da se primijenjeni alat oslobodi i bude izbačen velikom brzinom.
- g) **Ne koristite oštećene alate.** Prije svake uporabe provjerite alate kao što su brusne ploče i ustanovite eventualne krhotine ili pukotine, provjerite postoje li na brusnim valjcima pukotine ili su jako istrošeni, a kod žičane četke provjerite postoje li slobodne ili slomljene žice. Ako električni alat ili umetnut alat padne, provjerite je li oštećen ili koristite neoštećen alat. Nakon što ste alat kontrolirali i umetnuli, Vi i osobe koje su u blizini se udaljite od razine rotirajućeg alata i pustite uređaj da radi jednu minutu s najvećim mogućim brojem okretaja. Oštećeni alati u tom testnom razdoblju većinom pucaju.
- h) **Nosite osobnu zaštitnu opremu.** Ovisno o načinu uporabe koristite zaštitu za cijelo lice, zaštitu za oči ili zaštitne naočale. Ako je primjereno nosite masku za zaštitu od prašine, slušnu zaštitu, zaštitne rukavice ili posebnu kecelju, koja će Vas zaštititi od sitnih čestica koje nastaju brušenjem ili od čestica materijala. Oči trebate zaštititi od letućih stranih tijela, koji nastaju različitim radovima. Maska za zaštitu od prašine ili zaštitu dišnih putova mora filtrirati prašinu koja nastaje prilikom izvođenja radova.
- Ako ste dugotrajno izloženi velikom bukom, možete doživjeti oštećenje slušne moći.
- i) **Kod drugih osoba obratite pozornost na sigurno rastojanje u odnosu na područje Vašeg rada.** Svatko, tko stupi na područje rada, mora nositi osobnu zaštitnu opremu. Krhotine izratka ili slomljeni alati mogu odletjeti i dovesti do ozljeda, čak i izvan neposrednog područja rada.
- j) **Tijekom izvođenja radova prilikom kojih alat može zahvatiti skrivene naponske vodove ili vlastiti mrežni kabel, električni alat držite samo za izoliranu površinu namijenjenu za pridržavanje.** Kontakt s vodom pod naponom može pod napon dovesti i metalne dijelove uređaja te uzrokovati strujni udar.
- k) **Električni alat prilikom pokretanja čvrsto držite.** Prilikom postizanja punog broja okretaja moment reakcije motora može dovesti do toga da se električni alat zaokrene.
- l) **Ako je moguće, koristite stezaljke, kako biste fiksirali izradak.** Nikada ne držite mali izradak u jednoj ruci a električni alat u drugoj, dok ga koristite. Zatezanjem manjih izradaka ostaju vam slobodne obje ruke za bolju kontrolu električnog alata. Prilikom odvajanja okruglih izradaka kao što su drvene tiple, šipke ili cijevi, ovi izratci se mogu otkotrljati, uslijed čega se umetnuti alati mogu zaglaviti i biti odbačeni u Vašem smjeru.
- m) **Priključni kabel držite dalje od rotirajućih alata za umetanje.** Ako izgubite kontrolu nad uređajem, može doći do puknuća ili zahvaćanja kabela, a rotirajući alat može zahvatiti Vašu ruku.
- n) **Električni uređaj nikada ne odložite dok umetnuti alat potpuno ne miruje.** Rotirajući umetnuti alat može doći u kontakt s površinom za odlaganje, zbog čega Vi možete izgubiti kontrolu nad električnim uređajem.
- o) **Nakon zamjene alata ili nakon podešenja uređaja čvrsto zategnite maticu zatezne čeljusti, prihvatnik alata i druge elemente za pričvršćavanje.** Labavi elementi za pričvršćavanje neočekivano mogu popustiti i dovesti do gubitka kontrole; nepričvršćene rotirajuće komponente će velikom silom biti izbačene.

- p) **Ne pustite da električni uređaj radi, dok ga prenosite.** Vaša odjeća može biti zahvaćena zbog slučajnog kontakta s rotirajućim alatom, koji se može urezati u Vaše tijelo.
 - q) **Redovno čistite proreze za ventilaciju Vašeg električnog uređaja.** Ventilacija motora povlači prašinu u kućište, a velika nakupina metalne prašine može dovesti do električnih opasnosti.
 - r) **Električni alat ne koristite u blizini zapaljivih materijala.** Iskre bi mogle zapaliti takve materijale.
 - s) **Ne koristite rezne alate koji zahtijevaju tekuća rashladna sredstva.** Uporaba vode ili drugih rashladnih sredstava može dovesti do strujnog udara.
- a) **Električni alat čvrsto držite, a Vaše tijelo i ruke stavite u položaj u kojem ćete moći zaustaviti snagu povratnog udara.** Osoba koja rukuje uređajem uz prikladne mjere opreza može svladati snagu povratnog udara.
 - b) **Posebno oprezno radite u području kutova, oštih rubova itd. Spriječite da umetnuti alati budu odbaceni od izratka i da se zaglave.** Rotirajući alat za obradu se može zaglaviti kod kutova, oštih rubova ili kada dođe do njegovog odbacivanja. To uzrokuje gubitak kontrole ili povratni udar.
 - c) **Ne koristite nazubljen rezni list.** Takvi alati često uzrokuju povratni udar ili gubitak kontrole nad električnim alatom.
 - d) **Alat za rad uvijek u materijal uvedite u smjeru u kojem rezni rub materijal napušta (odgovara smjeru izbacivanja strugotine).** Vođenje električnog uređaja u pogrešnom smjeru dovodi do odbacivanja reznog ruba umetnutog alata iz izratka, što uzrokuje povlačenje električnog uređaja u tom smjeru.
 - e) **Izradak dobro zategnite kod uporabe rotirajućih turpija, reznih ploča, alata za glodanje velikom brzinom ili alata za glodanje od tvrdog metala.** Već kod malog zakošenja u oturu ovakvi rezni alati će se zaglaviti i mogu dovesti do povratnog udara. Kada se rezna ploča zaglavi, obično dolazi do njenog loma. Kod zaglavljivanja okretnih turpija, alata za glodanje velikom brzinom ili alata od tvrdog metala umetnuti alat može iskočiti iz utora i dovesti do gubitka kontrole nad električnim uređajem.

Dodatne sigurnosne napomene za sve primjene

Povratni udar i odgovarajuće sigurnosne napomene

Povratni udar je nagla reakcija uslijed zakačenog ili blokiranog rotirajućeg umetnutog alata kao što su brusna ploča, brusna traka, metalna četka itd. Kačenje i blokiranje dovodi do naglog zaustavljanja rotirajućeg alata. Time će nekontrolirani električni alat biti ubrzan u smjeru suprotnom od smjera okretanja umetnutog alata.

Kada primjerice brusna ploča zapne u izratku ili dođe do njenog blokiranja, rub brusne ploče, koji uranja u izradak može zapeti i izlomiti brusnu ploču ili izazvati povratni udar. Brusna ploča se onda kreće u pravcu korisnika alata ili se udaljava od njega, ovisno o smjeru okretanja ploče na mjestu blokiranja. Pritom se brusne ploče mogu i slomiti.

Povratni udar je posljedica pogrešne ili neispravne uporabe električnog alata. Isti se može spriječiti prikladnim mjerama opreza opisanim u nastavku.

Dodatne sigurnosne napomene za brušenje i brusno rezanje

Dodatne sigurnosne napomene za brušenje i brusno rezanje:

- a) Koristite isključivo brusna tijela predviđena za Vaš električni alat, i to samo za preporučene mogućnosti uporabe. Primjer: Nikada ne brusite bočnim površinama rezne ploče. Rezne ploče su namijenjene za abraziju materijala rubom ploče. Djelovanje bočne sile na takva brusna tijela može dovesti do njenog loma.
- b) Za konične i ravne brusne klinove s navojem koristite samo neoštećeni trn ispravne veličine i dužine, bez da slobodan dio viri. Prikladan trn sprječava mogućnost nastanka loma.
- c) Spriječite blokiranje rezne ploče ili presnažan pritisak. Ne izvodite preduboke rezove. Preopterećenje rezne ploče povećava njeno trošenje i sklonost ka zaglavljivanju i blokiranju, a time i mogućnost povratnog udara ili loma brusnog tijela.
- d) Izbjegavajte stavljanje ruke u područje ispred i iza rotirajuće rezne ploče. Kada reznu ploču u izratku odmičete od Vaše ruke, u slučaju povratnog udara električni uređaj s rotirajućom pločom može biti odbačen neposredno na Vas.
- e) Ukoliko se rezna ploča zaglavi ili prekinete rad, isključite uređaj i držite ga u izratku sve dok se rezna ploča ne zaustavi. Nikada ne pokušavajte ploču izvući iz izratka dok se rezna ploča još uvijek okreće, jer u protivnom može doći do povratnog udara. Ustanovite i otklonite uzrok zaglavljivanja.
- f) Električni uređaj ne uključujte, dok se nalazi u izratku. Pustite reznu ploču da dostigne pun broj okretaja, prije nego oprezno nastavite rezati. U protivnom ploča se može zaglaviti, iskočiti iz izratka ili uzrokovati povratni udar.

- g) Velike ploče ili velike izratke podbočite kako biste smanjili rizik od povratnog udara uslijed zaglavljivanja rezne ploče. Veliki izratci se mogu saviti pod vlastitim teretom. Izradak mora biti podbočen s obje strane ploče, i to u blizini reznog utora kao i na bridovima.
- h) Posebno pazite prilikom rezanja na postojećim zidovima ili drugim područjima u kojima nemate slobodan pogled. Rezna ploča koja uranja prilikom rezanja može zahvatiti plinske ili vodovodne cijevi, električne vodove ili druge objekte i uzrokovati povratni udar.

Dodatne sigurnosne napomene za radove čeličnim četkama

Dodatne sigurnosne napomene za radove čeličnim četkama:

- a) Obratite pozornost na to, da čelična četka i tijekom uobičajene primjene gubi komadiće žice. Ne preopteretite žice prevelikom pritiskom. Komadići žice koji se odbacuju lako mogu prodirati tanku odjeću i/ili kožu.
- b) Četke prije uporabe pustite da rade barem jednu minutu radnom brzinom. Pripazite da u tom vremenu druge osobe ne stoje ispred ili u jednoj liniji sa četkom. Za vrijeme pripremnog rada labavi komadići žice mogu odletjeti.
- c) Rorirajuće žičane četke usmjerite od sebe. Prilikom rada s takvim četkama sitne čestice i vrlo sitni komadići žice mogu letjeti velikom brzinom i prodrijeti kroz kožu.

Sigurnosne napomene za punjače

- Ovaj uređaj smiju koristiti djeca stara 8 godina ili više, kao i osobe sa smanjenim fizičkim, senzornim ili mentalnim sposobnostima ili pomanjkanjem iskustva i/ili znanja, ukoliko su pod nadzorom ili su primile poduku o sigurnom rukovanju uređajem te su razumjele opasnosti koje proizlaze iz uporabe uređaja. Djeca se ne smiju igrati uređajem. Čišćenje i servisiranje ne smiju obavljati djeca bez odgovarajućeg nadzora.
- Ako dođe do oštećenja mrežnog kabela, isti mora zamijeniti proizvođač, servis za kupce ili slična kvalificirana osoba, kako bi se izbjegle opasnosti.



Punjač je prikladan isključivo za uporabu u zatvorenim prostorijama.

⚠ UPOZORENJE!

- Ne rukujte uređajem kada je oštećen kabel, mrežni kabel ili mrežni utikač. Oštećen mrežni kabel uvjetuje opasnost po život uslijed strujnog udara.

Rukovanje

- Uređaj nikada ne koristite za druge namjene, i uvijek samo sa originalnim dijelovima/originalnom opremom. Uporaba drugog alata i dijelova od onih navedenih i preporučenih u uputama za rukovanje može dovesti do opasnosti od ozljeda.

Punjenje paketa baterija

NAPOMENA

- ▶ Novi paket baterija, ili paket baterija koji duže vrijeme nije korišten potrebno je napuniti prije prvog / ponovnog korištenja. Paket baterija puni kapacitet postiže nakon otprilike 3–5 ciklusa punjenja. Punjenje traje oko 180 minuta.

⚠ OPREZ! OPASNOST OD OZLJEDA!

- ▶ Uvijek izvucite mrežni utikač prije vađenja paketa baterija iz punjača, odnosno prije njegovog umetanja.
- ◆ Umetnite paket baterija **4** u punjač **8**. Isti se može umetnuti samo s ispravnim polaritetom.
- ◆ Mrežni adapter **9** priključite na mrežnu utičnicu.
- ◆ Dok se paket baterija puni, svijetli crveni indikator stanja napunjenosti **10**. Kada je punjenje završeno, crveni indikator stanja napunjenosti **10** se gasi, i svijetli zeleni indikator stanja napunjenosti **10a**. Paket baterija **4** je spreman za uporabu.

⚠ OPREZ!

- ▶ Paket baterija nikada ponovno ne puniti neposredno nakon obavljenog punjenja. Postoji opasnost od prekomjernog punjenja paketa baterija.

Umetanje paketa baterija u uređaj/ vađenje

Umetanje paketa baterija:

- ◆ Prekidač UKLJ/ISKLJ **1** postavite u položaj „OFF“.
- ◆ Umetnite paket baterija **4** u uređaj dok ne ulegne.

Vađenje paketa baterija:

- ◆ Istovremeno pritisnite bočnu tipku za deblokadu baterije **3** i izvadite paket baterija **4**.

Očitavanje stanja baterije

Stanje, odnosno preostali naboj baterije se na uključenom uređaju na LED indikatoru 2 prikazuje kako slijedi:

CRVENO / NARANČASTO / ZELENO = maksimalno punjenje

CRVENO / NARANČASTO = srednje punjenje

CRVENO = slabo punjenje - napunite bateriju

Umetanje alata / stezne čeljusti / zamjena

- ◆ Pritisnite blokadu osovine **7** i držite je pritisnutu.
- ◆ Okrenite zateznu maticu **5** sve dok blokada ne ulegne.
- ◆ Odvojite steznu maticu **5** pomoću kombiniranog ključa **22** od navoja.
- ◆ Izvadite eventualno umetnut alat.
- ◆ Prvo progurajte predviđen alat kroz zateznu maticu **5** prije nego što ga utaknete u odgovarajuću zateznu čeljust **17**.
- ◆ Pritisnite blokadu osovine **7** i držite je pritisnutu.
- ◆ Utaknite zateznu čeljust **17** u umetak s navojem i onda zavrnite zateznu maticu **5** kombiniranim ključem **22** na navoju.

NAPOMENA

- ▶ Koristite stranu za odvijanje kombiniranog ključa **22** za otpuštanje i zatezanje vijka zateznog trna **12**.

Uključivanje i isključivanje / Podešavanje broja okretaja

Uključivanje / Podešavanje područja broja okretaja:

- ◆ Prekidač UKLJ/ISKLJ s regulacijom broja okretaja **1** postavite u položaj između „1“ i „MAX“.

Isključivanje:

- ◆ Prekidač UKLJ/ISKLJ s regulacijom broja okretaja **1** postavite u položaj „OFF“.

Napomene o obradi materijala / Alat / Područje broja okretaja

- Koristite bitove za glodanje **19** za obradu čelika i željeza uz najviši mogući broj okretaja.
- Ustanovite područje broja okretaja za obradu cinka, legure cinka, aluminija, bakra i olova pokusima na probnim predmetima obrade.
- Plastike i materijale s niskim talištem obrađujte u niskom području broja okretaja.
- Drvo obradite visokim brojem okretaja.
- Radove čišćenja, poliranja i glačanja izvršavajte u srednjem području broja okretaja.

Sljedeći navodi predstavljaju neobavezne preporuke. Tijekom praktičnog rada testirajte koji alat i koje podešenje su optimalni za materijal koji obrađujete.

Podešavanje prikladnog broja okretaja:

Brojka na regulaciji broja okretaja ①	obrađivani materijal		
1-3	Plastika i predmeti obrade s niskim talištem	6	Tvrdo drvo
4-5	Kamen, keramika	Max	Čelik
5	Meko drvo, metal		

Primjeri primjene / Odabir prikladnog alata za rad:

Funkcija	Pribor	Uporaba	Slobodan dio (min-maks) mm
Bušenje	HSS-svrđlo ⑪	Obrada drveta:	18-25 kod najmanjeg svrdla je slobodan dio 10 mm
Glodanje	Bitovi za glodanje ⑰	Razni radovi; npr. izbočivanje, izdubljivanje, oblikovanje, izrada utora ili proreza	18-25
Graviranje	Bitovi za graviranje ⑳	Izrada oznake, radovi izrade	18-25
Poliranje, Odhrđavanje OPREZ! Alatom vršite tek blagi pritisak na izradak.	Metalna četka ⑮	Odhrđavanje	9-15
	Ploče za poliranje ⑬	Obrada raznih metala i plastika, posebno plemenitih metala kao što su zlato ili srebro	12-18
Čišćenje	Plastične četke ⑬	npr. čišćenje loše pristupačnog kućišta ili okruženja brave vratiju	9-15
Brušenje	Brusne ploče ⑭	Radovi brušenja kamena, drveta, precizni radovi na tvrdim materijalima kao što su keramika ili legirani čelik	12-18
	Bitovi za brušenje ㉑		10
Odvajanje	Rezne ploče ⑯ za metal	Obrada metala, plastike i drveta	12-18

- Maksimalan promjer sastavljenih tijela za brušenje i kruna ili klinova za brušenje s navojnim umetkom od 55 mm ne smije se prekoračiti. Maksimalan promjer pribora za brušenje s brusnim papirom od 80 mm također se ne smije prekoračiti.

NAPOMENA

- ▶ Maksimalna dopuštena dužina zateznog klina iznosi 33 mm.
- Pribor čuvajte u originalnoj kutiji ili dijelove opreme na drugi način zaštitite od oštećenja.
- Pribor čuvajte na suhom i podalje od agresivnih medija.

Savjeti i trikovi

- Ako vršite prevelik pritisak, zategnuti se alat može slomiti i/ili može doći do oštećenja izratka. Možete postići optimalne rezultate rada kada alat konstantnim brojem okretanja i blagim pritiskom prinesete na izradak.
- Uređaj prilikom rezanja čvrsto držite s obje ruke.
- Vodite računa o podacima i informacijama navedenim u tablici, kako biste spriječili da kraj osovine dotakne rupičasto dno alata za brušenje.

Održavanje i čišćenje

Uređaj ne zahtijeva održavanje.

- S uređaja odstranite nečistoću. U tu svrhu koristite suhu krpnu.
- Prije početka i na kraju dužeg perioda nekorištenja, obavite potpuni postupak punjenja paketa baterije ④.
- Ako litij-ionsku bateriju trebate uskladištiti na duže vrijeme, u redovnim vremenskim razmacima provjerite stanje napunjenosti. Optimalna napunjenost iznosi između 50 % i 80 %. Optimalna klima skladištenja je prohodna i suha.

⚠ UPOZORENJE!

- Uređaje na popravak predajte podružnici servisa ili stručnjaku električaru uz isključivu uporabu originalnih rezervnih dijelova. Na taj se način osigurava održanje sigurnosti uređaja.

⚠ UPOZORENJE!

- Zamjenu utikača ili priključnog voda uvijek treba izvršiti proizvođač uređaja ili njegov servis. Na taj se način osigurava održanje sigurnosti uređaja.

NAPOMENA

- ▶ Zamjenski dijelovi koji nisu navedeni (npr. baterija, punjač) mogu se naručiti preko našeg servisnog telefonskog centra.

Zbrinjavanje



Ambalaža se sastoji od materijala neškodljivih za okoliš koji se mogu zbrinuti preko mjesnih ispostava za recikliranje.



Električne alate ne bacajte u kućni otpad!

U skladu s europskom direktivom 2012/19/EU stari električni alati moraju se prikupiti odvojeno i zbrinuti na ekološki prihvatljiv način.



Baterije ne bacajte u kućni otpad!

UPOZORENJE!

- Bateriju prije zbrinjavanja uređaja odstranite!

Neispravne ili istrošene baterije moraju se reciklirati u skladu s direktivom 2006/66/EC. Bateriju i /ili uređaj vratite putem ponuđenih sabirnih mjesta. O mogućnosti zbrinjavanja starih električnih uređaja informirajte se u gradskoj ili mjesnoj upravi.

Jamstvo tvrtke

Kompennass Handels GmbH

Poštovani kupci,

Za ovaj uređaj odobrava se jamstvo u trajanju od 3 godine od datuma kupnje. U slučaju nedostataka ovoga proizvoda, Vama pripadaju zakonska prava na teret prodavača proizvoda. U nastavku izloženo jamstvo ne ograničava ova zakonska prava.

Uvjeti jamstva

Jamstveni rok započinje danom kupnje. Molimo Vas da dobro sačuvate originalni račun. Ovaj dokument je potreban kao dokaz o kupnji.

Ako u roku od tri godine od dana kupnje ovog proizvoda dođe do greške u materijalu ili izradi, proizvod ćemo - prema našem izboru - besplatno popraviti ili zamijeniti. Za takvo ispunjenje jamstvene obaveze potrebno je unutar trogodišnjeg roka uređaj s nedostatkom i dokaz o kupnji (račun) predložiti i pismeno ukratko opisati u čemu se sastoji greška proizvoda i kada se pojavila.

Ako je kvar pokriven našim jamstvom, poslat ćemo Vam popravljen ili novi proizvod. Popravkom ili zamjenom proizvoda ne započinje novi jamstveni rok.

Jamstveni rok i zakonsko pravo u slučaju nedostataka

Korištenje prava na jamstvo ne produžuje jamstveni rok. To vrijedi i za zamijenjene i popravljene dijelove. Štete i nedostatke koji eventualno postoje već prilikom kupnje treba javiti neposredno nakon raspakiranja. Nakon isteka jamstvenog roka izvršeni popravci se naplaćuju.

Opseg jamstva

Uređaj je pažljivo proizveden sukladno strogim smjernicama u pogledu kvalitete i prije isporuke brižljivo provjeren.

Ovo jamstvo vrijedi za greške u materijalu i izradi. Jamstvo ne obuhvaća dijelove proizvoda koji su izloženi normalnom trošenju i stoga se mogu smatrati potrošnim dijelovima, niti oštećenja lomljivih dijelova, npr. prekidača, baterija, kalupa za pečenje ili dijelova izrađenih od stakla.

Ovo jamstvo propada ako je proizvod oštećen, i ako nije stručno korišten ili servisiran. Za stručno korištenje proizvoda potrebno je točno poštivati sve naputke navedene u uputama za uporabu. Uporabne namjene i radnje, koje se u uputama ne preporučuju ili na koje se upozorava, obavezno se moraju izbjeći.

Proizvod je namijenjen isključivo za privatnu, nekomičnu uporabu. Jamstvo prestaje vrijediti u slučaju zlorabe, nenamjenskog korištenja, primjene sile i zahvata na uređaju koje nije obavila za to ovlaštena podružnica servisa.

Realizacija u slučaju jamstvenog zahtjeva

Kako bismo zajamčili brzu obradu Vašeg zahtjeva, molimo slijedite sljedeće napomene:

- Molimo Vas da za sve upite u pripravnosti držite blagajnički račun i broj artikla (npr. IAN 12345) kao dokaz o kupnji.
- Broj artikla možete pronaći na tipskoj pločici u obliku gravure, na naslovnoj stranici Vaših uputa (dolje lijevo) ili u obliku naljepnice na stražnjoj ili donjoj strani.
- Ako dođe do smetnji u radu ili drugih nedostataka, najprije **telefonski** ili **preko elektronske pošte** kontaktirajte servisni odjel naveden u nastavku.
- Proizvod registriran kao neispravan onda možete zajedno s priloženim dokazom o kupnji (blagajnički račun) i s opisom nedostatka i kada se pojavio, besplatno poslati na dobivenu adresu servisa.



Na stranici www.lidl-service.com možete preuzeti ove i mnoge druge priručnike, videosnimke o proizvodu i softver.

Servis

HR Servis Hrvatska

Tel.: 0800 777 999

E-Mail: kompernass@lidl.hr

IAN 279872

Uvoznik

Molimo obratite pozornost na to, da adresa navedena u nastavku nije adresa servisa. Najprije kontaktirajte navedenu ispostavu servisa.

Lidl Hrvatska d.o.o. k.d.,
Ulica kneza Ljudevita Posavskog 53,
HR-10410 Velika Gorica, Hrvatska

Proizvođač:

KOMPERNASS HANDELS GMBH

BURGSTRASSE 21

44867 BOCHUM

GERMANY

www.kompernass.com

Prijevod originalne izjave o sukladnosti

Mi, tvrtka KOMPERNASS HANDELS GmbH, osoba odgovorna za dokumentaciju: g. Semi Uguzlu, BURGSTR. 21, 44867 BOCHUM, Njemačka, ovime izjavljujemo da ovaj proizvod zadovoljava sljedeće norme, normativne dokumente i direktive EU:

**Direktivu o strojevima
(2006 / 42 / EC)**

**EU direktivu o električnoj opremi za uporabu unutar određenih naponskih granica
(2014 / 35 / EU)**

**Direktivu o elektromagnetskoj kompatibilnosti
(2014 / 30 / EU)**

**Direktivu RoHS (direktivu o ograničenju uporabe opasnih tvari u električnoj i elektroničkoj opremi)
(2011 / 65 / EU)**

Primijenjene usklađene norme:

EN 60745-1:2009/A11:2010

EN 60745-2-23:2013

EN 55014-1:2006/A2:2011

EN 55014-2:2015

EN 60335-1:2012/A11:2014

EN 60335-2-29:2004/A2:2010

EN 61000-3-2:2014

EN 61000-3-3:2013

EN 62233:2008

Oznaka tipa stroja:

Aku brusilica PFBS 12 A1

Godina proizvodnje: 07-2016

Serijski broj: IAN 279872

Bochum, 08.06.2016.



Semi Uguzlu

- Voditelj odjela kvalitete -

Zadržavam pravo na tehničke izmjene u svrhu daljnjeg razvoja proizvoda.

Cuprins

Introducere	32
Utilizarea conform destinației	32
Dotare	32
Furnitura	32
Date tehnice	32
Indicații generale de siguranță pentru sculele electrice	33
1. Siguranța zonei de lucru	33
2. Siguranța electrică	34
3. Siguranța persoanelor	34
4. Utilizarea și manevrarea sculei electrice	35
5. Utilizarea și manevrarea sculei cu acumulator	35
6. Service	35
Indicații de siguranță pentru toate aplicațiile	36
Indicații complementare de siguranță pentru toate aplicațiile	37
Indicații suplimentare de siguranță pentru șlefuire și debitare cu disc abraziv	38
Indicații suplimentare de siguranță pentru lucrul cu perile metalice	39
Indicații de siguranță pentru încărcătoare	39
Deservirea	40
Încărcarea setului de acumulatori	40
Introducerea/scoaterea setului de acumulatori	40
Citirea nivelului acumulatorului	40
Utilizarea/înlocuirea sculei/bucșei de strângere	40
Pornirea și oprirea/reglarea domeniului de turație	41
Indicații privind prelucrarea materialului/scula/domeniul de turație	41
Sugestii și idei	43
Întreținerea și curățarea	43
Eliminarea	44
Garanția Kompnass Handels GmbH	44
Service-ul	46
Importator	46
Traducerea declarației de conformitate originale	46

APARAT DE SLEFUIT MULTI-FUNCTIONAL, CU ACUMULATOR PFBS 12 A1

Introducere

Vă felicităm pentru cumpărarea noului dvs. aparat. Ați decis să alegeți un produs de calitate superioară. Instrucțiunile de utilizare fac parte integrantă din acest produs. Acestea cuprind informații importante privind siguranța, utilizarea și eliminarea. Înainte de utilizarea produsului, familiarizați-vă cu toate indicațiile privind utilizarea și siguranța. Utilizați produsul numai în modul descris și numai în scopurile menționate. În cazul transmiterii produsului unei alte persoane, predați-i toate documentele aferente acestuia.

Utilizarea conform destinației

Mașina de șlefuit și găurit de precizie cu acumulator este destinată utilizării împreună cu accesoriile corespunzătoare (astfel cum sunt livrate) la găurirea, frezarea, gravarea, polizarea, curățarea, șlefuirea, debitarea materialelor precum lemnul, metalul, plasticul, ceramica sau piatra, în spații uscate. Orice altă utilizare sau modificare a aparatului este considerată a fi neconformă și atrage pericole considerabile de accidentare. Producătorul nu își asumă răspunderea pentru prejudiciile rezultate în urma unei utilizări care contravine destinației. Aparatul nu este destinat utilizării în scopuri comerciale.

Dotare

Mașină de șlefuit și găurit de precizie cu acumulator:

- 1 Comutator Pornit/Oprit/reglarea turației
- 2 Led acumulator
- 3 Tastă de deblocare acumulator
- 4 Set de acumulatori
- 5 Piuliță de strângere
- 6 Piuliță olandeză
- 7 Dispozitiv de blocare a axului

Dispozitiv de încărcare acumulator (a se vedea fig. A):

- 8 Cupa de alimentare
- 9 Adaptor de rețea
- 10 Indicator stare de încărcare roșu
- 10a Indicator stare de încărcare verde

Accesorii (a se vedea fig. B):

- 11 6 burghie HSS
- 12 2 dornuri de strângere pentru fixarea sculei
- 13 3 discuri de polizat
- 14 4 discuri de șlefuit
- 15 1 perie din metal
- 16 16 discuri de debitare
- 17 5 bucle de strângere
- 18 2 perii din plastic
- 19 3 bituri de frezat
- 20 2 bituri de gravat
- 21 5 bituri de șlefuit
- 22 1 cheie combinată


Furnitura

- 1 aparat de șlefuit multifuncțional, cu acumulator
- 1 cupă de alimentare cu adaptor de rețea
- 1 set de accesorii (50 de piese)
- 1 exemplar instrucțiuni de utilizare

Date tehnice

Model PFBS 12 A1:

Tensiune nominală:	12 V = (curent continuu)
Turația nominală la mers în gol:	n 5000-25000 min ⁻¹
Diametru max. discuri:	25 mm

Zona de tensionare a mandrinei de găurit:  diametrul max. 3,2 mm

Set de acumulatori PFBS 12 A1-1:

INTRARE / Input:

Tensiune nominală:	12 V = (curent continuu)
Capacitate:	1300 mAh
Tip:	LITIU-ION

Încărcător PFBS 12 A1-2:

Principal (Intrare / Input):

Tensiune nominală: 100-240 V~, 50-60 Hz
(curent alternativ)

Consum nominal: 0,3 A

Secundar (Ieșire / Output):

Tensiune nominală: 14,5 V === (curent continuu)

Curent nominal: 450 mA

Durată de încărcare: cca 3 ore

Clasa de protecție: II/□ (izolare dublă)

Valoarea emisiei de zgomot:

Valoarea măsurată pentru zgomot determinată conform EN 60745. Nivelul de zgomot evaluat A al sculei electrice este în mod tipic de:

Nivelul presiunii acustice: $L_{pA} = 60,5 \text{ dB (A)}$

Incertitudine: $K_{pA} = 3 \text{ dB}$

Nivelul puterii acustice: $L_{WA} = 71,5 \text{ dB (A)}$

Incertitudine K: $K_{WA} = 3 \text{ dB}$

Purtați echipament de protecție a auzului!

Valoarea totală a vibrațiilor:

$a_h = 1,07 \text{ m/s}^2$

Incertitudine K: $1,5 \text{ m/s}^2$

INDICAȚIE

- Nivelul vibrațiilor indicat în aceste instrucțiuni a fost măsurat conform unei proceduri standardizate de măsurare și poate fi utilizat pentru compararea aparatelor. Valoarea indicată a vibrațiilor emise poate fi utilizată și pentru o evaluare introductivă a expunerii.

⚠ AVERTIZARE!

- Nivelul vibrațiilor se va modifica în funcție de utilizarea sculei electrice, iar în anumite cazuri se poate afla peste valoarea indicată în aceste instrucțiuni. Expunerea la vibrații ar putea fi subapreciată dacă scula electrică este utilizată regulat într-un asemenea mod. Încercați să mențineți sarcina prin vibrații la un nivel cât mai redus. Măsurile ilustrative pentru reducerea expunerii la vibrații sunt purtarea mănușilor în timpul utilizării sculei și limitarea timpului de lucru. În acest scop, trebuie luate în considerare toate componentele ciclului de funcționare (de exemplu perioadele în care scula electrică a fost oprită și perioadele în care, deși a fost pornită, a funcționat fără sarcină).

Indicații generale de siguranță pentru sculele electrice



⚠ AVERTIZARE!

- Citiți toate indicațiile de siguranță și instrucțiunile. Nerespectarea indicațiilor de siguranță și a instrucțiunilor poate cauza electrocutare, incendiu și/sau răni grave.



Păstrați toate indicațiile de siguranță și instrucțiunile pentru consultarea ulterioară.

Noțiunea de „sculă electrică” utilizată în indicațiile de siguranță se referă la sculele electrice alimentate de la rețea (cu cablu de alimentare) și la sculele electrice cu acumulatori (fără cablu de alimentare).

1. Siguranța zonei de lucru


- Păstrați zona de lucru curată și bine iluminată. Dezordinea și zonele de lucru iluminate necorespunzător pot conduce la accidentări.
- Nu lucrați cu scula electrică în zone cu potențial exploziv în care se găsesc lichide, gaze sau pulberi inflamabile. Sculele electrice produc scântei care pot aprinde pulberea sau vaporii.

- c) În timpul utilizării sculei electrice țineți la distanță copiii și alte persoane. Dacă sunteți distras, puteți pierde controlul asupra aparatului.

2. Siguranța electrică

- a) Fișa de racord a sculei electrice trebuie să se potrivească în priză. Ștecărul nu trebuie modificat în niciun fel.
Nu folosiți niciun fel de fișe de adaptare împreună cu sculele electrice legate la pământ. Ștecărele nemodificate și prizele adecvate reduc riscul de electrocutare.
- b) Evitați contactul corporal cu suprafețele împământate cum sunt cele ale conductelor, caloriferelor, aragazelor și frigiderelor. În cazul în care contactul există, riscul de electrocutare este crescut.
- c) Nu expuneți sculele electrice la ploaie sau umezeală. Pătrunderea apei într-un aparat electric crește riscul de electrocutare.
- d) Nu utilizați cablul într-un scop pentru care nu a fost destinat, de exemplu pentru a transporta sau pentru a agăța sula electrică sau pentru a scoate ștecărul din priză. Feriți cablul de temperaturi ridicate, ulei, muchii ascuțite sau de piese ale aparatului aflate în mișcare. Cablurile deteriorate sau încurcate cresc riscul de electrocutare.
- e) Atunci când lucrați cu o sculă electrică în aer liber, utilizați numai cabluri prelungitoare care sunt admise pentru uzul în exterior. Utilizarea unui cablu prelungitor adecvat pentru uzul în exterior reduce riscul de electrocutare.
- f) Dacă utilizarea sculei electrice într-un mediu umed este inevitabilă, utilizați un întrerupător de protecție contra curenților vagabonzi. Utilizarea unui întrerupător de protecție contra curenților vagabonzi reduce riscul de electrocutare.

3. Siguranța persoanelor

- a) Fiți mereu precaut, fiți atent la ceea ce faceți și acționați în mod rațional atunci când lucrați cu o sculă electrică. Nu utilizați sculele electrice dacă sunteți obosit sau dacă vă aflați sub influența drogurilor, alcoolului sau a medicamentelor. Un moment de neatenție în timpul utilizării sculei electrice poate duce la răni grave.
- b)  Purtați echipament individual de protecție și întotdeauna ochelari de protecție. Purtarea de echipament individual de protecție precum mască antipraf, încălțăminte de protecție antiderapantă, cască de protecție sau echipament de protecție a auzului, în funcție de tipul și utilizarea sculei electrice, reduce riscul de rănire.
- c) Evitați punerea în funcțiune neintenționată. Asigurați-vă că sula electrică este oprită înainte de a o conecta la alimentarea cu curent și/sau la acumulator, înainte de a o lua în mână sau de a o transporta. Transportul sculei electrice cu degetul pe comutator sau conectarea aparatului deja pornit la alimentarea cu curent poate provoca accidentări.
- d) Îndepărtați sculele de reglare sau șurubelnițele înainte de a porni sula electrică. O sculă sau o cheie care se află într-o piesă rotativă a aparatului poate provoca răni.
- e) Evitați pozițiile anormale ale corpului. Asigurați o poziție fixă și păstrați-vă echilibrul în orice moment. Astfel puteți controla mai bine sula electrică în situații neașteptate.
- f) Purtați îmbrăcăminte adecvată. Nu purtați îmbrăcăminte largă sau bijuterii. Țineți părul, îmbrăcămintea și mânușile departe de componentele mobile. Îmbrăcămintea largă, bijuteriile sau părul lung pot fi agățate de componentele mobile.
- g) Dacă pot fi montate dispozitive de aspirare și de captare a prafului, asigurați-vă că acestea sunt conectate și că sunt utilizate corect. Utilizarea unui dispozitiv de aspirare a prafului poate reduce expunerea la pericole provocate de praf.

4. Utilizarea și manevrarea sculei electrice

- Nu suprasolicitați aparatul. Utilizați pentru lucrarea dvs. scula electrică destinată respectivei lucrări. Cu scula electrică adecvată lucrați mai bine și mai sigur în domeniul de putere specificat.
- Nu utilizați scule electrice al căror comutator este defect. O sculă electrică a cărei pornire sau oprire nu mai este posibilă, este periculoasă și trebuie reparată.
- Scoateți ștecărul din priză și/sau îndepărtați acumulatorul înainte de a efectua reglaje la aparat, de a schimba accesoriile sau de a pune aparatul deoparte. Această măsură de precauție împiedică pornirea neintenționată a sculei electrice.
- Păstrați sculele electrice neutilizate în locuri inaccesibile copiilor. Nu permiteți ca aparatul să fie utilizat de persoane care nu sunt familiarizate cu aparatul sau care nu au citit aceste instrucțiuni. Sculele electrice sunt periculoase dacă sunt utilizate de persoane fără experiență.
- Îngrijiți cu atenție sculele electrice. Verificați dacă componentele mobile funcționează ireproșabil și dacă nu se blochează, dacă există componente rupte sau deteriorate în așa fel încât să fie afectată funcționarea sculei electrice. Înainte de utilizarea aparatului, solicitați repararea componentelor deteriorate. Multe dintre accidente sunt provocate de întreținerea necorespunzătoare a sculelor electrice.
- Mențineți sculele de tăiere ascuțite și curate. Sculele de tăiere îngrijite cu atenție, cu muchii de tăiere ascuțite se blochează mai rar și sunt mai ușor de controlat.
- Utilizați sculele electrice, accesoriile, capetele atașabile etc. conform acestor instrucțiuni. În același timp aveți în vedere condițiile de lucru și activitatea pe care trebuie să o executați. Utilizarea sculelor electrice pentru alte aplicații decât cele prevăzute poate duce la situații periculoase.

5. Utilizarea și manevrarea sculei cu acumulator

- Încărcați acumulatorii numai în încărcătoare recomandate de producător. Un încărcător destinat unui anumit tip de acumulatori prezintă pericol de incendiu dacă este utilizat cu alți acumulatori.
- Utilizați în sculele electrice numai acumulatorii prevăzuți în acest sens. Utilizarea altor acumulatori poate provoca răniri și pericol de incendiu.
- Acumulatorul neutilizat nu trebuie să intre în contact cu agrafe de birou, monede, chei, cuie, șuruburi sau alte obiecte metalice mici care ar putea provoca o șuntare a contactelor. Un scurtcircuit între contactele acumulatorului poate provoca arsuri sau un incendiu.
- În cazul unei utilizări necorespunzătoare, din acumulator poate ieși lichid. Evitați contactul cu lichidul. În cazul unui contact accidental, spălați cu apă. Dacă lichidul intră în contact cu ochii, consultați suplimentar și un medic. Lichidul scurs din acumulator poate provoca iritații la nivelul pielii sau arsuri.



PRECAUȚIE! PERICOL DE EXPLOZIE!
Nu încărcați niciodată bateriile care nu sunt reîncărcabile.



Protejați acumulatorul împotriva căldurii, de exemplu, inclusiv față de radiația solară îndelungată, foc, apă și umezeală. Pericol de explozie.



6. Service

- Solicitați repararea sculei dvs. electrice numai de către personal calificat și numai cu piese de schimb originale. Astfel se asigură menținerea siguranței sculei electrice.

Indicații de siguranță pentru toate aplicațiile

Indicații generale de siguranță pentru șlefuire, șlefuire cu hârtie abrazivă, lucrul cu periile metalice, polizare, frezare și debitare cu disc abraziv:

- a) Această sculă electrică este destinată utilizării ca mașină de șlefuit, mașină de șlefuit cu hârtie abrazivă, perie metalică, polizor, pentru frezare și mașină de debitat cu disc abraziv. Respectați toate indicațiile de siguranță, instrucțiunile, ilustrațiile și specificațiile furnizate împreună cu aparatul. Nerespectarea următoarelor instrucțiuni poate provoca electrocutare, incendiu și/sau rănirea gravă.
- b) Nu utilizați accesoriile care nu sunt special prevăzute sau recomandate de producător pentru această sculă electrică. Simpla fixare a unui accesoriu la scula electrică nu garantează utilizarea sigură a acesteia.
- c) Turația admisă a accesoriului trebuie să fie cel puțin egală cu turația maximă specificată pentru scula electrică. Accesoriile care se rotesc mai repede decât turația admisă se pot avaria și pot fi aruncate din aparat.
- d) Diametrul exterior și grosimea accesoriului trebuie să corespundă dimensiunilor indicate pentru scula dvs. electrică. Accesoriile dimensionate eronat nu pot fi protejate sau controlate suficient.
- e) Discurile de șlefuit, tamburii de șlefuit sau alte accesoriile trebuie să se potrivească exact la arborele de șlefuit sau la bucușă de strângere a sculei dvs. electrice. Accesoriile care nu se potrivesc exact la sistemul de prindere a sculei electrice se vor roti neuniform, vor vibra foarte puternic și pot provoca pierderea controlului.
- f) Discurile montate pe un dorn, cilindrii de șlefuit, sculele de tăiere sau alte accesoriile trebuie introduse complet în bucușă de strângere sau mandrina de strângere. „Proeminența”, respectiv partea liberă a dornului dintre corpul abraziv și bucușă de strângere sau mandrina de strângere trebuie să fie minime. Dacă dornul nu este tensionat suficient sau dacă corpul abraziv este prea departe în față, accesoriul se poate desface și poate fi aruncat cu viteză ridicată.
- g) Nu utilizați accesoriile deteriorate. Verificați accesoriile înainte fiecărei utilizări: discurile de șlefuit în privința degradării sau fisurilor, tamburii de șlefuit în privința fisurilor sau uzurii excesive, periile metalice în privința sârmelor desfăcute sau rupte. Dacă scula electrică sau accesoriul cade, verificați dacă s-a deteriorat sau utilizați un accesoriu nedeteriorat. După verificarea și montarea accesoriului mențineți-vă atât dvs., cât și persoanele care se află în apropiere în afara zonei de rotație a accesoriului și permiteți funcționarea aparatului timp de un minut la turație maximă. Cele mai multe accesoriile deteriorate cedează în timpul acestei testări.
- h) Purtați echipament individual de protecție. În funcție de aplicație utilizați o mască facială completă, protecție pentru ochi sau ochelari de protecție. Dacă este cazul, purtați mască antipraf, echipament de protecție a auzului, mănuși de protecție sau șorț special care să mențină la distanță particulele rezultate la șlefuire și cele de material. Ochii trebuie protejați împotriva proiectării fragmentelor de material rezultate la diverse aplicații. Maska antipraf sau masca respiratorie vor filtra praful degajat. Expunerea îndelungată la zgomot puternic poate afecta auzul.
- i) Asigurați-vă că celelalte persoane se află la o distanță sigură față de zona dvs. de lucru. Persoanele care pătrund în zona de lucru trebuie să poarte echipament individual de protecție. Fragmentele din piesa de prelucrat sau accesoriile avariate pot fi proiectate, provocând răniri chiar și în exteriorul zonei de lucru directe.
- j) Țineți aparatul numai de suprafețele de prindere izolate atunci când executați lucrări în cadrul cărora accesoriul poate intra în contact cu cabluri electrice ascunse sau cu propriul cablu de alimentare. Contactul cu un cablu conducător de tensiune poate pune sub tensiune și componentele metalice ale aparatului, putând provoca electrocutarea.
- k) Țineți întotdeauna strâns scula electrică în momentul pornirii. La accelerarea la turația maximă, cuplul de reacție al motorului poate duce la rotirea sculei electrice.

- l) Dacă este posibil, utilizați clește cu șurub pentru a fixa piesa de prelucrat. Nu țineți niciodată o piesă mică de prelucrat într-o mână și scula electrică în cealaltă mână, în timp ce o utilizați. Prin fixarea prin tensionare a pieselor mici de prelucrat aveți ambele mâini libere pentru un control mai bun al sculei electrice. La debitarea pieselor de prelucrat rotunde precum dibluri din lemn, țije sau conducte, acestea au tendința să se rostogolească, scula electrică putându-se astfel bloca și propulsa spre dvs.
- m) **Mențineți cablul de racordare departe de accesoriile aflate în rotație.** Dacă pierdeți controlul asupra aparatului, cablul se poate rupe sau poate fi prins, iar mâna sau brațul dvs. pot fi apucate în accesoriul aflat în rotație.
- n) **Nu lăsați niciodată din mână scula electrică înaintea opririi complete a accesoriului.** Accesoriul aflat în rotație poate atinge suprafața de depunere, provocând pierderea controlului asupra sculei electrice.
- o) **După schimbarea accesoriilor sau a setărilor, strângeți bine la aparat piulița bușei de strângere, mandrina de strângere sau diferitele elemente de fixare.** Elementele de fixare slăbite se pot deplasa în mod neașteptat și pot duce la pierderea controlului; componentele nefixate, în rotație sunt proiectate în mod violent.
- p) **Nu lăsați scula electrică să funcționeze în timp ce o transportați.** Îmbrăcămintea dvs. poate fi apucată accidental de accesoriul aflat în rotație, rănindu-vă.
- q) **Curățați în mod regulat fantele de aerisire ale sculei dvs. electrice.** Ventilatorul motorului aspiră praf în carcasă, iar acumulările considerabile de pulbere metalică pot provoca pericole de natură electrică.
- r) **Nu utilizați scula electrică în apropierea materialelor inflamabile.** Scântele pot aprinde aceste materiale.
- s) **Nu utilizați accesorii care necesită agenți de răcire lichizi.** Utilizarea apei sau a altor agenți de răcire lichizi poate provoca electrocutarea.

Indicații complementare de siguranță pentru toate aplicațiile

Indicații de siguranță privind reculul

Reculul reprezintă reacția bruscă provocată de accesoriul în rotație prins sau blocat, precum discul de șlefuit, banda de șlefuit, peria metalică etc. Prinderea sau blocarea provoacă oprirea bruscă a accesoriului aflat în rotație. Astfel, scula electrică este antrenată în mod necontrolat în sens invers direcției de rotație a accesoriului.

De exemplu, atunci când un disc de șlefuit se agață sau se blochează în piesa de prelucrat, marginea discului care pătrunde în piesă se poate bloca în aceasta, discul de șlefuit putând fi aruncat sau provoca recul. În această situație, discul de șlefuit se deplasează către operator sau dinspre acesta, în funcție de direcția de rotație a discului în punctul de blocare. În acest caz este posibilă ruperea discurilor de șlefuit.

Reculul reprezintă consecința utilizării eronate sau defectuoase a sculei electrice. Reculul poate fi evitat adoptând măsuri de precauție adecvate, precum cele descrise în continuare.

- a) Țineți scula electrică ferm și poziționați corpul și brațele astfel încât să puteți contracara forța reculului. Operatorul poate stăpâni forța reculului prin măsuri de precauție adecvate.
- b) Lucrați cu deosebită atenție în zona colțurilor, muchiilor ascuțite etc. Evitați ricoșarea accesoriilor de la piesa de prelucrat și blocarea acestora. Accesoriul aflat în rotație tinde să se blocheze atunci când ricoșează la colțuri sau muchii ascuțite. Acest lucru provoacă pierderea controlului sau reculul.
- c) **Nu utilizați pânze de ferăstrău dințate.** Astfel de accesorii provoacă adesea recul sau pierderea controlului asupra sculei electrice.
- d) **Dirijați întotdeauna accesoriul în material în aceeași direcție în care muchia de tăiere pătrânsește materialul (corespunde aceleiași direcții în care sunt eliminate așchiile).** Dirijarea sculei electrice în direcție greșită determină ieșirea muchiei de tăiere a accesoriului din piesa de prelucrat, scula electrică fiind astfel trasă în această direcție de avans.
- e) **Strângeți întotdeauna piesa de prelucrat la utilizarea pilelor rotative, a discurilor de debitare, a sculelor de frezare la viteză mare sau a sculelor de frezare a metalului dur.** Chiar și în cazul unei înclinări reduse în canelură, aceste accesorii se blochează și pot provoca recul. La blocarea unui disc de debitare, de obicei acesta se rupe. La blocarea pilelor rotative, sculelor de frezare la viteză mare sau a sculelor de frezare a metalului dur, accesoriul poate sări din canelură și poate duce la pierderea controlului asupra sculei electrice.

Indicații suplimentare de siguranță pentru șlefuire și debitare cu disc abraziv

Indicații speciale de siguranță pentru șlefuire și debitare cu disc abraziv:

- a) **Utilizați numai corpurile abrazive omologate pentru scula dvs. electrică și doar pentru aplicațiile recomandate.** Exemplu: Nu șlefuiți niciodată cu suprafața laterală a unui disc de debitare. Discurile de debitare sunt prevăzute pentru tăierea materialului cu marginea discului. Acțiunea forței laterale asupra corpurilor abrazive le poate rupe.
- b) **Pentru pietre de șlefuit conice și drepte cu filet utilizați numai dornuri nedeteriorate, cu dimensiunea și lungimea corespunzătoare, fără degajare pe umăr.** Dornurile adecvate împiedică posibilitatea ruperii.
- c) **Evitați blocarea discului de debitare sau exercitarea unei presiuni prea ridicate.** Nu executați tăieturi cu adâncime excesivă. Suprasolicitarea discului de debitare sporește sarcina și tendința de gripare sau blocare și astfel, posibilitatea reculului sau a ruperii discului.
- d) **Evitați poziționarea mâinii în fața și în spatele discului de debitare aflat în rotație.** Atunci când deplasați discul de debitare din piesa de prelucrat în direcția opusă mâinii dvs., în caz de recul, scula electrică poate propulsa discul aflat în rotație direct spre dvs.
- e) **În cazul blocării discului de debitare sau al întreruperii activității, opriți aparatul și mențineți-l stabil până la oprirea discului.** Nu încercați niciodată să scoateți discul de debitare aflat încă în funcțiune din tăietură, deoarece altfel se poate produce recul. Identificați și remediați cauza blocării.
- f) **Nu reporniți scula electrică cât timp aceasta se află în piesa de prelucrat.** Înainte de a continua cu grijă tăierea, permiteți discului de debitare să atingă turația maximă. Altfel, discul se poate agăța, poate sări din piesă sau poate cauza recul.

- g) Sprijiniți plăcile sau piesele de prelucrat de mari dimensiuni pentru a reduce la minimum riscul unui recul prin blocarea discului de debitare. Piesele de mari dimensiuni se pot curba sub greutatea proprie. Piesa de prelucrat trebuie sprijinită de ambele părți ale discului, atât în apropierea fantei, cât și de la margine.
- h) Manifestați precauție deosebită în special la tăierea „buzunarelor” în pereți sau a altor zone fără vizibilitate. Discul de debitare introdus poate întâlni conducte de gaz sau de apă, cabluri electrice sau alte obiecte, provocând recul.

Indicații suplimentare de siguranță pentru lucrul cu periile metalice

Indicații speciale de siguranță pentru lucrul cu periile metalice:

- a) Rețineți că periile metalice pierd fragmente de sârmă și pe durata utilizării normale. Nu suprasolicitați peria exercitând o presiune prea ridicată. Fragmentele de sârmă proiectate pot pătrunde foarte ușor în îmbrăcămintea subțire și/sau în piele.
- b) Înainte de utilizare permiteți funcționarea perii timp de minimum un minut la viteza de lucru. Aveți grijă ca în acest timp să nu se afle nicio altă persoană în fața sau pe aceeași linie cu peria. În timpul funcționării pot fi proiectate fragmente de sârmă desprinse.
- c) Îndreptați peria metalică în sens invers față de dvs. La lucrările cu aceste perii pot fi proiectate cu viteză mare particule mici și fragmente infime de sârmă și pot pătrunde în piele.

Indicații de siguranță pentru încărcătoare

- Acest aparat poate fi utilizat de copii începând cu vârsta de 8 ani, cât și de persoane cu abilități fizice, senzoriale sau mentale reduse sau fără experiență și fără cunoștințe necesare numai dacă sunt supravegheați sau dacă au fost instruiți cu privire la utilizarea în siguranță a acestui aparat și au înțeles pericolele cu privire la acesta. Copii lor le este interzis să se joace cu aparatul. Curățarea și acțiunile de întreținere destinate utilizatorului nu se vor efectua de către copii fără supraveghere.
- Pentru a evita orice risc, la defectarea cablului de alimentare al aparatului, acesta trebuie înlocuit de către producător, serviciul clienți al acestuia sau de către o altă persoană calificată.



Încărcătorul este destinat exclusiv utilizării în interior.

⚠️ AVERTIZARE!

- Nu utilizați aparatul în cazul în care cablurile de conexiune, cablul de alimentare sau ștecărul sunt defecte. Cablurile de alimentare deteriorate prezintă pericol de moarte prin electrocutare.

Deservirea

- Nu folosiți niciodată aparatul în alt scop și utilizați-l numai cu piese/accesorii originale. Utilizarea altor piese sau accesorii decât cele recomandate în instrucțiunile de utilizare poate constitui pericol de rănire.

Încărcarea setului de acumulatori

INDICAȚIE

- ▶ Setul de acumulatori nou sau neutilizat timp îndelungat trebuie încărcat înaintea primei utilizări / reutilizării. Setul de acumulatori atinge capacitatea maximă după cca 3-5 cicluri de încărcare. Un proces de încărcare durează cca 180 minute.

⚠ PRECAUȚIE! PERICOL DE RĂNIRE!

- ▶ Scoateți întotdeauna ștecărul din priză înainte de scoaterea sau introducerea setului de acumulatori în încărcător.
- ◆ Introduceți setul de acumulatori **4** în cupa de alimentare **8**. Acesta poate fi introdus numai cu polaritatea corectă.
- ◆ Conectați adaptorul de rețea **9** la o priză.
- ◆ În timpul încărcării setului de acumulatori, este aprins indicatorul roșu al stării de încărcare **10**. La încheierea procesului de încărcare se stinge indicatorul roșu al stării de încărcare **10** și se aprinde indicatorul verde al stării de încărcare **10a**. Setul de acumulatori **4** este gata de utilizare.

⚠ PRECAUȚIE!

- ▶ Nu încărcați niciodată a doua oară setul de acumulatori imediat după procesul de încărcare. Există pericolul supraîncărcării setului de acumulatori.

Introducerea/scoaterea setului de acumulatori

Introducerea setului de acumulatori:

- ◆ Așezați comutatorul PORNIT/OPRIT **1** în poziția „OFF”.
- ◆ Introduceți setul de acumulatori **4** în aparat până se fixează.

Scoaterea setului de acumulatori:

- ◆ Apăsăți concomitent tastele laterale de deblocare a acumulatorului **3** și scoateți setul de acumulatori **4**.

Citirea nivelului acumulatorului

Nivelul, respectiv puterea reziduală sunt afișate de ledul 2 al acumulatorului când aparatul este pornit după cum urmează:

ROȘU/PORȚOCALIU/VERDE = nivel maxim de încărcare

ROȘU/PORȚOCALIU = nivel mediu de încărcare

ROȘU = nivel scăzut de încărcare – încărcați acumulatorul

Utilizarea/inlocuirea sculei/bucșei de strângere

- ◆ Acționați dispozitivul de blocare a axului **7** și mențineți-l apăsat.
- ◆ Rotiți piulița de strângere **5** până când se blochează piedica.
- ◆ Desfaceți de la filet piulița de strângere **5** cu cheia combinată **22** de pe filet.
- ◆ Dacă este cazul, îndepărtați scula introdusă.
- ◆ Mai întâi împingeți scula prevăzută prin piulița de strângere **5** înainte de a o introduce în bucșa de strângere **17** corespunzătoare pentru coada sculei.
- ◆ Acționați dispozitivul de blocare a axului **7** și mențineți-l apăsat.
- ◆ Introduceți bucșa de strângere **17** în accesoriul cu filet și apoi înșurubați bine pe filet piulița de strângere **5** cu ajutorul cheii combinate **22**.

INDICAȚIE

- Utilizați latura cu șurubelniță de la cheia combinată 22 în vederea desfacerii și strângerii șurubului dornurilor de strângere 12.

Pornirea și oprirea/reglarea domeniului de turație**Pornirea/reglarea domeniului de turație:**

- ◆ Așezați comutatorul Pornit / Oprit 1 cu dispozitivul de reglare a turației într-o poziție între „1” și „MAX”.

Oprirea:

- ◆ Așezați comutatorul Pornit / Oprit 1 cu dispozitivul de reglare a turației în poziția „OFF”.

Indicații privind prelucrarea materialului/scula/domeniul de turație

- Utilizați biturile de frezare 19 în vederea prelucrării oțelului și a fierului la turația maximă.
- Determinați domeniul de turație pentru prelucrarea zincului, aliajelor de zinc, aluminiului, cuprului și plumbului prin teste pe piese de probă.
- Prelucrați materiale plastice și materiale cu punct de topire scăzut la un domeniu scăzut al turației.
- Prelucrați lemnul la turații ridicate.
- Efectuați lucrările de curățare, polizare și lustruire la turație medie.

Următoarele specificații reprezintă recomandări cu caracter orientativ. În cadrul lucrărilor practice verificați și individual care sculă și care setare este adecvată pentru materialul de prelucrat.

Reglarea turației adecvate:

Cifra de la dispozitivul de reglare a turației ❶	materialul de prelucrat		
1-3	Plastic și materiale cu punct de topire scăzut	6	Lemn de esență tare
4-5	Piatră, ceramică	Max.	Oțel
5	Lemn de esență moale, metal		

Exemple de utilizare/selectarea sculei adecvate:

Funcția	Accesorii	Utilizarea	Proeminență (min-max) mm
Găurire	Burghie HSS ❶❶	Prelucrarea lemnului	18-25 la cel mai mic burghiu proeminența este de 10 mm
Frezare	Bituri de frezat ❶❷	Lucrări diverse; de exemplu boltirea, adâncirea, modelarea, realizarea de caneluri sau fante	18-25
Gravare	Bituri de gravat ❶❸	Efectuarea marcajului, lucrări de bricolaj	18-25
Polizare, curățarea de rugină PRECAUȚIE! Apăsați numai ușor cu scula pe piesa de prelucrat.	Perie din metal ❶❹	Curățarea de rugină	9-15
	Discuri de polizat ❶❺	Prelucrarea diferitelor metale și materiale plastice, în special metale prețioase, precum aurul sau argintul	12-18
Curățare	Perii din plastic ❶❻	de exemplu curățarea carcaselor din plastic greu accesibile sau zonei înconjurătoare a unei broaște de ușă	9-15
Șlefuire	Discuri de șlefuit ❶❼	Lucrări de șlefuire a pietrei, lemnului, lucrări fine pe materiale dure, precum ceramica sau oțelul aliat	12-18
	Bituri de șlefuit ❶❽		10
Debitare	Discuri de debitare ❶❾	Prelucrarea metalului, a plasticului și a lemnului	12-18

- Diametrul maxim al corpurilor abrazive asamblate, conurilor abrazive și pietrelor cilindrice de șlefuit cu inserție filetată de 55 mm nu trebuie depășit.
Diametrul maxim al accesoriilor de șlefuit cu hârtie de șlefuit de 80 mm nu trebuie, de asemenea, depășit.

INDICAȚIE

- ▶ Lungimea max. admisă a unui dorn de strângere este de 33 mm.
- Depozitați accesoriile în cutia originală sau protejați-le în alt mod împotriva deteriorării.
- Depozitați accesoriile într-un loc uscat și ferit de medii agresive.

Sugestii și idei

- Dacă exercitați o presiune prea mare, scula fixată se poate rupe și/sau piesa de prelucrat se poate deteriora. Puteți obține rezultate optime de lucru prin dirijarea sculei pe piesa de prelucrat la un domeniu de turație constant și presiune scăzută.
- Țineți aparatul ferm, cu ambele mâini, în momentul debitării.
- Respectați datele și informațiile din tabel pentru a evita ca extremitatea axului să atingă baza orificiului sculei de șlefuit.

Întreținerea și curățarea

Aparatul nu necesită întreținere.

- Îndepărtați impuritățile de pe aparat. Pentru aceasta utilizați o lavetă uscată.
- La începutul și la finalul unei perioade îndelungate de neutilizare realizați un ciclu complet de încărcare a setului de acumulatori ④.
- În cazul depozitării îndelungate a unui acumulator litiu-ion, este necesară verificarea periodică a nivelului acestuia. Nivelul optim se află în intervalul cuprins între 50 % și 80 %. Climatul optim de depozitare este uscat și rece.

⚠ AVERTIZARE!

- Lucrările de reparație a aparatelor se vor realiza numai la centrele de service sau de către electricieni și numai cu piese de schimb originale. Astfel se asigură menținerea siguranței aparatului.

⚠ AVERTIZARE!

- Solicitați întotdeauna producătorului aparatului sau serviciului clienți al acestuia înlocuirea ștecărului sau a cablului de alimentare. Astfel se asigură menținerea siguranței aparatului.

INDICAȚIE

- ▶ Piesele de schimb nelistate (de exemplu acumulator, încărcător) pot fi comandate prin intermediul liniei noastre telefonice.

Eliminarea



Ambalajul este format din materiale ecologice pe care le puteți elimina prin intermediul centrelor locale de reciclare.



Nu aruncați sculele electrice în gunoiul menajer!

Conform Directivei europene 2012/19/EU, sculele electrice uzate trebuie colectate separat și eliminate la un punct de reciclare ecologic.



Nu aruncați acumulatorii în gunoiul menajer!

⚠️ AVERTIZARE!

■ Îndepărtați acumulatorul înaintea eliminării!

Acumulatorii defecți sau consumați trebuie reciclați conform dispozițiilor Directivei 2006/66/EC.

Predați setul de acumulatori și/sau aparatul la unul dintre centrele de colectare existente.

Informații privind posibilitățile de eliminare pentru sculele electrice/setul de acumulatori pot fi obținute de la administrația locală.

Garanția

Kompennass Handels GmbH

Stimate client,

Pentru acest aparat se acordă o garanție de 3 ani de la data cumpărării. În cazul în care produsul prezintă defecte, beneficiați de drepturi legale față de vânzătorul produsului. Aceste drepturi legale nu sunt limitate prin garanția noastră prezentată în cele ce urmează.

Condiții de garanție

Perioada de garanție începe de la data cumpărării. Păstrați cu grijă bonul fiscal original. Acesta este necesar pentru a dovedi cumpărarea.

Dacă în decurs de trei ani de la data cumpărării acestui produs apare un defect de material sau de fabricație, produsul va fi reparat sau înlocuit de către noi - la alegerea noastră - în mod gratuit. Garanția presupune ca în timpul perioadei de trei ani să se prezinte aparatul defect și dovada cumpărării (bonul fiscal), precum și o scurtă descriere în scris, în care să se specifice în ce constă defectul și când a apărut acesta.

Dacă defectul este acoperit de garanția noastră, veți primi înapoi produsul reparat sau unul nou. Odată cu reparația sau înlocuirea produsului nu începe o nouă perioadă de garanție.

Perioada de garanție și pretențiile legale privind defectele

Perioada de garanție nu este prelungită după efectuarea reparațiilor realizate în perioada de garanție. Acest lucru este valabil și pentru piesele înlocuite și reparate.

Eventualele deteriorări și deficiențe prezente deja la cumpărare trebuie semnalate imediat după dezambalarea produsului. Reparațiile necesare după expirarea perioadei de garanție se efectuează contra cost.

Domeniul de aplicare a garanției

Aparatul a fost produs cu grijă, în conformitate cu orientările stricte privind calitatea și verificat cu rigurozitate înaintea livrării.

Garanția se acordă în caz de defecte de material sau de fabricație. Această garanție nu se extinde asupra componentelor produsului care sunt expuse uzurii normale și care, prin urmare, pot fi considerate piese de uzură sau asupra deteriorărilor apărute la componentele fragile, de exemplu comutatoare, acumulatori, forme de copt sau componente realizate din sticlă.

Această garanție se pierde în cazul în care produsul a fost deteriorat, a fost utilizat sau întreținut în mod necorespunzător. Pentru utilizarea corespunzătoare a produsului trebuie respectate cu strictețe toate indicațiile prezentate în instrucțiunile de utilizare. Trebuie evitate în mod obligatoriu utilizările și acțiunile nerecomandate sau care fac obiectul unor avertizări în cadrul instrucțiunilor de utilizare.

Aparatul este destinat numai uzului privat și nu utilizărilor comerciale. În cazul manevrării abuzive sau necorespunzătoare, al uzului de forță și al intervențiilor care nu au fost realizate de către filiala noastră autorizată de service, garanția își pierde valabilitatea.

Procedura de acordare a garanției

Pentru a se asigura prelucrarea rapidă a solicitării dvs., urmați instrucțiunile de mai jos:

- Pentru toate solicitările păstrați la îndemână bonul fiscal și numărul articolului (de exemplu IAN 12345) ca dovadă a cumpărării.
- Numărul articolului poate fi consultat pe plăcuța de caracteristici, pe o gravură, pe coperta instrucțiunilor (în partea stângă, jos) sau pe autocolantul de pe partea din spate sau de jos.
- În cazul în care apar defecte funcționale sau alte defecțiuni, contactați mai întâi **telefonice** sau **prin e-mail** departamentul de service menționat în continuare.
- Apoi puteți expedia produsul înregistrat ca fiind defect la adresa de service care v-a fost comunicată, fără a plăti taxe poștale, anexând dovada cumpărării (bonul fiscal) și indicând în ce constă defectul și când a apărut acesta.



Acest manual, precum și multe altele, videoclipuri cu produsele și software-uri pot fi descărcate de pe www.lidl-service.com.

Service-ul

RO Service România
Tel.: 0800896637
E-Mail: kompernass@lidl.ro

IAN 279872

Importator

Vă rugăm să aveți în vedere faptul că următoarea adresă nu reprezintă o adresă pentru service. Contactați mai întâi centrul de service indicat.

KOMPERNASS HANDELS GMBH
BURGSTRASSE 21
44867 BOCHUM
GERMANY
www.kompernass.com

Traducerea declarației de conformitate originale

Firma KOMPERNASS HANDELS GMBH, responsabil cu documentația: dl Semi Uguzlu, BURGSTR. 21, 44867 BOCHUM, Germania, declară prin prezența că acest produs corespunde următoarelor norme, documente normative și directive CE:

Directiva privind echipamentele tehnice (2006/42/EC)

Directiva privind echipamentele tehnice de joasă tensiune (2014/35/EU)

Directiva privind compatibilitatea electromagnetică (2014/30/EU)

Directiva privind restricțiile de utilizare a anumitor substanțe periculoase în echipamentele electrice și electronice (RoHS) (2011/65/EU)

Norme armonizate aplicate:

EN 60745-1:2009/A11:2010
EN 60745-2-23:2013
EN 55014-1:2006/A2:2011
EN 55014-2:2015
EN 60335-1:2012/A11:2014
EN 60335-2-29:2004/A2:2010
EN 61000-3-2:2014
EN 61000-3-3:2013
EN 62233:2008

Denumirea tipului mașinii:

Aparat de slefuit multifuncțional, cu acumulator
FBS 12 A1

Anul de fabricație: 07 – 2016

Număr de serie: IAN 279872

Bochum, 08.06.2016



Semi Uguzlu

- Manager calitate -

Ne rezervăm dreptul asupra modificărilor tehnice în scopul dezvoltării ulterioare.

Inhaltsverzeichnis

Einleitung	48
Bestimmungsgemäßer Gebrauch	48
Ausstattung	48
Lieferumfang	48
Technische Daten	48
Allgemeine Sicherheitshinweise für Elektrowerkzeuge	49
1. Arbeitsplatz-Sicherheit	49
2. Elektrische Sicherheit	49
3. Sicherheit von Personen	50
4. Verwendung und Behandlung des Elektrowerkzeugs	50
5. Verwendung und Behandlung des Akkuwerkzeugs	51
6. Service	51
Sicherheitshinweise für alle Anwendungen	51
Weitere Sicherheitshinweise für alle Anwendungen	53
Zusätzliche Sicherheitshinweise zum Schleifen und Trennschleifen	54
Zusätzliche Sicherheitshinweise zum Arbeiten mit Drahtbürsten	54
Sicherheitshinweise für Ladegeräte	55
Bedienung	55
Akku-Pack laden	55
Akku-Pack ins Gerät einsetzen / entnehmen	56
Akkuzustand ablesen	56
Werkzeug / Spannzange einsetzen / wechseln	56
Ein- und ausschalten / Drehzahlbereich einstellen	56
Hinweise zu Materialbearbeitung / Werkzeug / Drehzahlbereich	56
Tips und Tricks	58
Wartung und Reinigung	58
Entsorgung	59
Garantie der Kompernaß Handels GmbH	59
Service	60
Importeur	60
Original- Konformitätserklärung	61

AKKU-FEINBOHRSCHLEIFER PFBS 12 A1

Einleitung

Wir beglückwünschen Sie zum Kauf Ihres neuen Gerätes. Sie haben sich damit für ein hochwertiges Produkt entschieden. Die Bedienungsanleitung ist Teil dieses Produkts. Sie enthält wichtige Hinweise für Sicherheit, Gebrauch und Entsorgung. Machen Sie sich vor der Benutzung des Produkts mit allen Bedien- und Sicherheitshinweisen vertraut. Benutzen Sie das Produkt nur wie beschrieben und für die angegebenen Einsatzbereiche. Händigen Sie alle Unterlagen bei Weitergabe des Produkts an Dritte mit aus.

Bestimmungsgemäßer Gebrauch

Der Akku-Feinbohrschleifer ist mit entsprechendem Zubehör (wie mitgeliefert) zum Bohren, Fräsen, Gravieren, Polieren, Säubern, Schleifen, Trennen von Werkstoffen wie Holz, Metall, Kunststoff, Keramik oder Gestein in trockenen Räumen zu verwenden. Jede andere Verwendung oder Veränderung des Gerätes gilt als nicht bestimmungsgemäß und birgt erhebliche Unfallgefahren. Für aus bestimmungswidriger Verwendung entstandene Schäden übernimmt der Hersteller keine Haftung. Nicht für gewerblichen Einsatz bestimmt.

Ausstattung

Akku-Feinbohrschleifer:

- ➊ Ein- / Aus -Schalter / Drehzahlregulierung
- ➋ Akku-LED
- ➌ Akku-Entriegelungstaste
- ➍ Akku-Pack
- ➎ Spannmutter
- ➏ Überwurfmutter
- ➐ Spindelarretierung

Akkuladeeinrichtung (siehe Abb. A):

- ➑ Ladeschale
- ➒ Netzteil
- ➓ Ladezustandsanzeige rot
- 10a Ladezustandsanzeige grün

Zubehör (siehe Abb. B):

- ➑ 6 HSS-Bohrer
- ➒ 2 Spanndorne zur Werkzeugaufnahme
- ➓ 3 Polierscheiben
- ➑ 4 Schleifscheiben
- ➑ 1 Metallbürste
- ➑ 16 Trennscheiben
- ➑ 5 Spannzangen
- ➑ 2 Kunststoffbürsten
- ➑ 3 Fräsbits
- ➑ 2 Gravierbits
- ➑ 5 Schleifbits
- ➑ 1 Kombischlüssel

Lieferumfang

- 1 Akku-Feinbohrschleifer
- 1 Ladeschale mit Netzteil
- 1 Zubehör-Set (50 Teile)
- 1 Bedienungsanleitung

Technische Daten

Modell PFBS 12 A1:

- Bemessungsspannung: 12 V --- (Gleichstrom)
- Bemessungs-Leerlaufdrehzahl: n 5000-25000 min⁻¹
- Max. Scheiben ø: 25 mm

Bohrfutter-
spannbereich:  max. ø 3,2 mm

Akku-Pack PFBS 12 A1-1:

EINGANG / Input:

- Bemessungsspannung: 12 V --- (Gleichstrom)
- Kapazität: 1300 mAh
- Typ: LITHIUM-ION

Ladegerät PFBS 12 A1-2:

Primär (Eingang / Input):

- Bemessungsspannung: 100-240 V~, 50-60 Hz (Wechselstrom)
- Bemessungsaufnahme: 0,3 A

Sekundär (Ausgang / Output):

- Bemessungsspannung: 14,5 V --- (Gleichstrom)
- Bemessungsstrom: 450 mA
- Ladedauer: ca. 3 Stunden
- Schutzklasse: II/Ⓜ (Doppelisolierung)

Geräuschemissionswert:

Messwert für Geräusch ermittelt entsprechend EN 60745. Der A-bewertete Geräuschpegel des Elektrowerkzeugs beträgt typischerweise:

- Schalldruckpegel: $L_{pA} = 60,5 \text{ dB (A)}$
- Unsicherheit: $K_{pA} = 3 \text{ dB}$
- Schallleistungspegel: $L_{WA} = 71,5 \text{ dB (A)}$
- Unsicherheit K: $K_{WA} = 3 \text{ dB}$

Gehörschutz tragen!

Schwingungsgesamtwert:

- $a_h = 1,07 \text{ m/s}^2$
- Unsicherheit K: $1,5 \text{ m/s}^2$

HINWEIS

- ▶ Der in diesen Anweisungen angegebene Schwingungspegel ist entsprechend einem genormten Messverfahren gemessen worden und kann für den Gerätevergleich verwendet werden. Der angegebene Schwingungsemissionswert kann auch zu einer einleitenden Einschätzung der Aussetzung verwendet werden.

⚠️ WARNUNG!

- ▶ Der Schwingungspegel wird sich entsprechend dem Einsatz des Elektrowerkzeugs verändern und kann in manchen Fällen über dem in diesen Anweisungen angegebenen Wert liegen. Die Schwingungsbelastung könnte unterschätzt werden, wenn das Elektrowerkzeug regelmäßig in solcher Weise verwendet wird. Versuchen Sie, die Belastung durch Vibrationen so gering wie möglich zu halten. Beispielhafte Maßnahmen zur Verringerung der Vibrationsbelastung sind das Tragen von Handschuhen beim Gebrauch des Werkzeugs und die Begrenzung der Arbeitszeit. Dabei sind alle Anteile des Betriebszyklus zu berücksichtigen (beispielsweise Zeiten, in denen das Elektrowerkzeug abgeschaltet ist, und solche, in denen es zwar eingeschaltet ist, aber ohne Belastung läuft).

Allgemeine Sicherheitshinweise für Elektrowerkzeuge



⚠️ WARNUNG!

- ▶ Lesen Sie alle Sicherheitshinweise und Anweisungen. Versäumnisse bei der Einhaltung der Sicherheitshinweise und Anweisungen können elektrischen Schlag, Brand und/oder schwere Verletzungen verursachen.

Bewahren Sie alle Sicherheitshinweise und Anweisungen für die Zukunft auf.

Der in den Sicherheitshinweisen verwendete Begriff „Elektrowerkzeug“ bezieht sich auf netzbetriebene Elektrowerkzeuge (mit Netzkabel) und auf akkubetriebene Elektrowerkzeuge (ohne Netzkabel).

1. Arbeitsplatz-Sicherheit


- a) Halten Sie Ihren Arbeitsbereich sauber und gut beleuchtet. Unordnung und unbeleuchtete Arbeitsbereiche können zu Unfällen führen.
- b) Arbeiten Sie mit dem Elektrowerkzeug nicht in explosionsgefährdeter Umgebung, in der sich brennbare Flüssigkeiten, Gase oder Stäube befinden. Elektrowerkzeuge erzeugen Funken, die den Staub oder die Dämpfe entzünden können.
- c) Halten Sie Kinder und andere Personen während der Benutzung des Elektrowerkzeugs fern. Bei Ablenkung können Sie die Kontrolle über das Gerät verlieren.

2. Elektrische Sicherheit

- a) Der Anschlussstecker des Elektrowerkzeuges muss in die Steckdose passen. Der Stecker darf in keiner Weise verändert werden. Verwenden Sie keine Adapterstecker gemeinsam mit schutzgeerdeten Elektrowerkzeugen. Unveränderte Stecker und passende Steckdosen verringern das Risiko eines elektrischen Schlages.
- b) Vermeiden Sie Körperkontakt mit geerdeten Oberflächen, wie von Rohren, Heizungen, Herden und Kühlschränken. Es besteht ein erhöhtes Risiko durch elektrischen Schlag, wenn Ihr Körper geerdet ist.

- c) Halten Sie Elektrowerkzeuge von Regen oder Nässe fern. Das Eindringen von Wasser in ein Elektrogerät erhöht das Risiko eines elektrischen Schlages.
- d) Zweckentfremden Sie das Kabel nicht, um das Elektrowerkzeug zu tragen, aufzuhängen oder um den Stecker aus der Steckdose zu ziehen. Halten Sie das Kabel fern von Hitze, Öl, scharfen Kanten oder sich bewegenden Geräteteilen. Beschädigte oder verwickelte Kabel erhöhen das Risiko eines elektrischen Schlages.
- e) Wenn Sie mit einem Elektrowerkzeug im Freien arbeiten, verwenden Sie nur Verlängerungskabel, die auch für den Außenbereich zugelassen sind. Die Anwendung eines für den Außenbereich geeigneten Verlängerungskabels verringert das Risiko eines elektrischen Schlages.
- f) Wenn der Betrieb des Elektrowerkzeuges in feuchter Umgebung nicht vermeidbar ist, verwenden Sie einen Fehlerstromschutzschalter. Der Einsatz eines Fehlerstromschutzschalters vermindert das Risiko eines elektrischen Schlages.

3. Sicherheit von Personen

- a) Seien Sie stets aufmerksam, achten Sie darauf, was Sie tun und gehen Sie mit Vernunft an die Arbeit mit einem Elektrowerkzeug. Benutzen Sie kein Elektrowerkzeug, wenn Sie müde sind oder unter dem Einfluss von Drogen, Alkohol oder Medikamenten stehen. Ein Moment der Unachtsamkeit beim Gebrauch des Elektrowerkzeuges kann zu ernsthaften Verletzungen führen.
- b)  Tragen Sie persönliche Schutzausrüstung und immer eine Schutzbrille. Das Tragen persönlicher Schutzausrüstung wie Staubmaske, rutschfeste Sicherheitsschuhe, Schutzhelm oder Gehörschutz, je nach Art und Einsatz des Elektrowerkzeuges, verringert das Risiko von Verletzungen.
- c) Vermeiden Sie eine unbeabsichtigte Inbetriebnahme. Vergewissern Sie sich, dass das Elektrowerkzeug ausgeschaltet ist, bevor Sie es an die Stromversorgung und / oder den Akku anschließen, es aufnehmen oder tragen. Wenn Sie beim Tragen des Elektrowerkzeuges den Finger am Schalter haben oder das Gerät bereits eingeschaltet an die Stromversorgung anschließen, kann dies zu Unfällen führen.

- d) Entfernen Sie Einstellwerkzeuge oder Schraubenschlüssel, bevor Sie das Elektrowerkzeug einschalten. Ein Werkzeug oder Schlüssel, der sich in einem drehenden Geräteteil befindet, kann zu Verletzungen führen.
- e) Vermeiden Sie eine abnormale Körperhaltung. Sorgen Sie für einen sicheren Stand und halten Sie jederzeit das Gleichgewicht. Dadurch können Sie das Elektrowerkzeug in unerwarteten Situationen besser kontrollieren.
- f) Tragen Sie geeignete Kleidung. Tragen Sie keine weite Kleidung oder Schmuck. Halten Sie Haare, Kleidung und Handschuhe fern von sich bewegenden Teilen. Lockere Kleidung, Schmuck oder lange Haare können von sich bewegenden Teilen erfasst werden.
- g) Wenn Staubabsaug- und -auffangeinrichtungen montiert werden können, vergewissern Sie sich, dass diese angeschlossen sind und richtig verwendet werden. Die Verwendung einer Staubabsaugung kann Gefährdungen durch Staub verringern.

4. Verwendung und Behandlung des Elektrowerkzeugs

- a) Überlasten Sie das Gerät nicht. Verwenden Sie für Ihre Arbeit das dafür bestimmte Elektrowerkzeug. Mit dem passenden Elektrowerkzeug arbeiten Sie besser und sicherer im angegebenen Leistungsbereich.
- b) Benutzen Sie kein Elektrowerkzeug, dessen Schalter defekt ist. Ein Elektrowerkzeug, das sich nicht mehr ein- oder ausschalten lässt, ist gefährlich und muss repariert werden.
- c) Ziehen Sie den Stecker aus der Steckdose und/oder entfernen Sie den Akku, bevor Sie Geräteeinstellungen vornehmen, Zubehörteile wechseln oder das Gerät weglegen. Diese Vorsichtsmaßnahme verhindert den unbeabsichtigten Start des Elektrowerkzeuges.
- d) Bewahren Sie unbenutzte Elektrowerkzeuge außerhalb der Reichweite von Kindern auf. Lassen Sie Personen das Gerät nicht benutzen, die mit diesem nicht vertraut sind oder diese Anweisungen nicht gelesen haben. Elektrowerkzeuge sind gefährlich, wenn sie von unerfahrenen Personen benutzt werden.

- e) Pflegen Sie Elektrowerkzeuge mit Sorgfalt. Kontrollieren Sie, ob bewegliche Teile einwandfrei funktionieren und nicht klemmen, ob Teile gebrochen oder so beschädigt sind, dass die Funktion des Elektrowerkzeuges beeinträchtigt ist. Lassen Sie beschädigte Teile vor dem Einsatz des Gerätes reparieren. Viele Unfälle haben ihre Ursache in schlecht gewarteten Elektrowerkzeugen.
- f) Halten Sie Schneidwerkzeuge scharf und sauber. Sorgfältig gepflegte Schneidwerkzeuge mit scharfen Schneidkanten verkleben sich weniger und sind leichter zu führen.
- g) Verwenden Sie Elektrowerkzeug, Zubehör, Einsatzwerkzeuge usw. entsprechend diesen Anweisungen. Berücksichtigen Sie dabei die Arbeitsbedingungen und die auszuführende Tätigkeit. Der Gebrauch von Elektrowerkzeugen für andere als die vorgesehenen Anwendungen kann zu gefährlichen Situationen führen.

5. Verwendung und Behandlung des Akkuwerkzeugs

- a) Laden Sie die Akkus nur in Ladegeräten auf, die vom Hersteller empfohlen werden. Für ein Ladegerät, das für eine bestimmte Art von Akkus geeignet ist, besteht Brandgefahr, wenn es mit anderen Akkus verwendet wird.
- b) Verwenden Sie nur die dafür vorgesehenen Akkus in den Elektrowerkzeugen. Der Gebrauch von anderen Akkus kann zu Verletzungen und Brandgefahr führen.
- c) Halten Sie den nicht benutzten Akku fern von Büroklammern, Münzen, Schlüsseln, Nägeln, Schrauben oder anderen kleinen Metallgegenständen, die eine Überbrückung der Kontakte verursachen könnten. Ein Kurzschluss zwischen den Akkukontakten kann Verbrennungen oder Feuer zur Folge haben.
- d) Bei falscher Anwendung kann Flüssigkeit aus dem Akku austreten. Vermeiden Sie den Kontakt damit. Bei zufälligem Kontakt mit Wasser abspülen. Wenn die Flüssigkeit in die Augen kommt, nehmen Sie zusätzlich ärztliche Hilfe in Anspruch. Austretende Akkuflüssigkeit kann zu Hautreizungen oder Verbrennungen führen.



VORSICHT! EXPLOSIONSGEFAHR!
Laden Sie nicht aufladbare Batterien niemals auf.



Schützen Sie den Akku vor Hitze, z. B. auch vor dauernder Sonneneinstrahlung, Feuer, Wasser und Feuchtigkeit. Es Besteht Explosionsgefahr.



6. Service

- a) Lassen Sie Ihr Elektrowerkzeug nur von qualifiziertem Fachpersonal und nur mit Original-Ersatzteilen reparieren. Damit wird sichergestellt, dass die Sicherheit des Elektrowerkzeugs erhalten bleibt.

Sicherheitshinweise für alle Anwendungen

Gemeinsame Sicherheitshinweise zum Schleifen, Sandpapierschleifen, Arbeiten mit Drahtbürsten, Polieren, Fräsen oder Trennschleifen:

- a) Dieses Elektrowerkzeug ist zu verwenden als Schleifer, Sandpapierschleifer, Drahtbürste, Polierer, zum Fräsen und als Trennschleifmaschine. Beachten Sie alle Sicherheitshinweise, Anweisungen, Darstellungen und Daten, die Sie mit dem Gerät erhalten. Wenn Sie die folgenden Anweisungen nicht beachten, kann es zu elektrischem Schlag, Feuer und / oder schweren Verletzungen kommen.
- b) Verwenden Sie kein Zubehör, das vom Hersteller nicht speziell für dieses Elektrowerkzeug vorgesehen und empfohlen wird. Nur weil Sie das Zubehör an Ihrem Elektrowerkzeug befestigen können, garantiert das keine sichere Verwendung.
- c) Die zulässige Drehzahl des Einsatzwerkzeugs muss mindestens so hoch sein wie die auf dem Elektrowerkzeug angegebene Höchstdrehzahl. Zubehör, das sich schneller als zulässig dreht, kann zerbrechen und umherfliegen.
- d) Außendurchmesser und Dicke des Einsatzwerkzeugs müssen den Maßangaben Ihres Elektrowerkzeugs entsprechen. Falsch bemessene Einsatzwerkzeuge können nicht ausreichend abgeschirmt oder kontrolliert werden.

- e) Schleifscheiben, Schleifwalzen oder anderes Zubehör müssen genau auf die Schleifspindel oder Spannzange Ihres Elektrowerkzeugs passen. Einsatzwerkzeuge, die nicht genau in die Aufnahme des Elektrowerkzeugs passen, drehen sich ungleichmäßig, vibrieren sehr stark und können zum Verlust der Kontrolle führen.
- f) Auf einem Dorn montierte Scheiben, Schleifzylinder, Schneidwerkzeuge oder anderes Zubehör müssen vollständig in die Spannzange oder das Spannfutter eingesetzt werden. Der „Überstand“ bzw. der frei liegende Teil des Dorns zwischen Schleifkörper und Spannzange oder Spannfutter muss minimal sein. Wird der Dorn nicht ausreichend gespannt oder steht der Schleifkörper zu weit vor, kann sich das Einsatzwerkzeug lösen und mit hoher Geschwindigkeit ausgeworfen werden.
- g) Verwenden Sie keine beschädigten Einsatzwerkzeuge. Kontrollieren Sie vor jeder Verwendung Einsatzwerkzeuge wie Schleifscheiben auf Absplitterungen und Risse, Schleifwalzen auf Risse, Verschleiß oder starke Abnutzung, Drahtbürsten auf lose oder gebrochene Drähte. Wenn das Elektrowerkzeug oder das Einsatzwerkzeug herunterfällt, überprüfen Sie, ob es beschädigt ist, oder verwenden Sie ein unbeschädigtes Einsatzwerkzeug. Wenn Sie das Einsatzwerkzeug kontrolliert und eingesetzt haben, halten Sie und in der Nähe befindliche Personen sich außerhalb der Ebene des rotierenden Einsatzwerkzeugs auf und lassen Sie das Gerät eine Minute lang mit Höchstdrehzahl laufen. Beschädigte Einsatzwerkzeuge brechen meist in dieser Testzeit.
- h) Tragen Sie persönliche Schutzausrüstung. Verwenden Sie je nach Anwendung Vollgesichtsschutz, Augenschutz oder Schutzbrille. Soweit angemessen, tragen Sie Staubmaske, Gehörschutz, Schutzhandschuhe oder Spezialschürze, die kleine Schleif- und Materialpartikel von Ihnen fernhält. Die Augen sollen vor herumfliegenden Fremdkörpern geschützt werden, die bei verschiedenen Anwendungen entstehen. Staub- oder Atemschutzmaske müssen den bei der Anwendung entstehenden Staub filtern. Wenn Sie lange lautem Lärm ausgesetzt sind, können Sie einen Hörverlust erleiden.
- i) Achten Sie bei anderen Personen auf sicheren Abstand zu Ihrem Arbeitsbereich. Jeder, der den Arbeitsbereich betritt, muss persönliche Schutzausrüstung tragen. Bruchstücke des Werkstücks oder gebrochener Einsatzwerkzeuge können wegfliegen und Verletzungen auch außerhalb des direkten Arbeitsbereichs verursachen.
- j) Halten Sie das Gerät nur an den isolierten Griffflächen, wenn Sie Arbeiten ausführen, bei denen das Einsatzwerkzeug verborgene Stromleitungen oder das eigene Netzkabel treffen kann. Der Kontakt mit einer spannungsführenden Leitung kann auch metallene Geräteteile unter Spannung setzen und zu einem elektrischen Schlag führen.
- k) Halten Sie das Elektrowerkzeug beim Starten stets gut fest. Beim Hochlaufen auf die volle Drehzahl kann das Reaktionsmoment des Motors dazu führen, dass sich das Elektrowerkzeug verdreht.
- l) Wenn möglich, verwenden Sie Zwingen, um das Werkstück zu fixieren. Halten Sie niemals ein kleines Werkstück in der einen Hand und das Elektrowerkzeug in der anderen, während Sie es benutzen. Durch das Festspannen kleiner Werkstücke haben Sie beide Hände zur besseren Kontrolle des Elektrowerkzeugs frei. Beim Trennen runder Werkstücke wie Holzdübel, Stangenmaterial oder Rohre neigen diese zum Wegrollen, wodurch das Einsatzwerkzeug klemmen und auf Sie zu geschleudert werden kann.
- m) Halten Sie das Anschlusskabel von sich drehenden Einsatzwerkzeugen fern. Wenn Sie die Kontrolle über das Gerät verlieren, kann das Kabel durchtrennt oder erfasst werden und Ihre Hand oder Ihr Arm in das sich drehende Einsatzwerkzeug geraten.
- n) Legen Sie das Elektrowerkzeug niemals ab, bevor das Einsatzwerkzeug völlig zum Stillstand gekommen ist. Das sich drehende Einsatzwerkzeug kann in Kontakt mit der Ablagefläche geraten, wodurch Sie die Kontrolle über das Elektrowerkzeug verlieren können.
- o) Ziehen Sie nach dem Wechseln von Einsatzwerkzeugen oder Einstellungen am Gerät die Spannzangenmutter, das Spannfutter oder sonstige Befestigungselemente fest an. Lose Befestigungselemente können sich unerwartet verstellen und zum Verlust der Kontrolle führen;

- unbefestigte, rotierende Komponenten werden gewaltsam herausgeschleudert.
- p) **Lassen Sie das Elektrowerkzeug nicht laufen, während Sie es tragen.** Ihre Kleidung kann durch zufälligen Kontakt mit dem sich drehenden Einsatzwerkzeug erfasst werden und das Einsatzwerkzeug sich in Ihren Körper bohren.
- q) **Reinigen Sie regelmäßig die Lüftungsschlitze Ihres Elektrowerkzeugs.** Das Motorgebläse zieht Staub in das Gehäuse, und eine starke Ansammlung von Metallstaub kann elektrische Gefahren verursachen.
- r) **Verwenden Sie das Elektrowerkzeug nicht in der Nähe brennbarer Materialien.** Funken können diese Materialien entzünden.
- s) **Verwenden Sie keine Einsatzwerkzeuge, die flüssige Kühlmittel erfordern.** Die Verwendung von Wasser oder anderen flüssigen Kühlmitteln kann zu einem elektrischen Schlag führen.

Weitere Sicherheitshinweise für alle Anwendungen

Rückschlag und entsprechende Sicherheitshinweise

Rückschlag ist die plötzliche Reaktion infolge eines hakenden oder blockierten drehenden Einsatzwerkzeugs, wie Schleifscheibe, Schleifband, Drahtbürste usw. Verhaken oder Blockieren führt zu einem abrupten Stopp des rotierenden Einsatzwerkzeugs. Dadurch wird ein unkontrolliertes Elektrowerkzeug gegen die Drehrichtung des Einsatzwerkzeugs beschleunigt.

Wenn z. B. eine Schleifscheibe im Werkstück hakt oder blockiert, kann sich die Kante der Schleifscheibe, die in das Werkstück eintaucht, verfangen und dadurch die Schleifscheibe ausbrechen oder einen Rückschlag verursachen. Die Schleifscheibe bewegt sich dann auf die Bedienperson zu oder von ihr weg, je nach Drehrichtung der Scheibe an der Blockierstelle. Hierbei können Schleifscheiben auch brechen.

Ein Rückschlag ist die Folge eines falschen oder fehlerhaften Gebrauchs des Elektrowerkzeugs. Er kann durch geeignete Vorsichtsmaßnahmen, wie nachfolgend beschrieben, verhindert werden.

- a) **Halten Sie das Elektrowerkzeug gut fest und bringen Sie Ihren Körper und Ihre Arme in eine Position, in der Sie die Rückschlagkräfte abfangen können.** Die Bedienperson kann durch geeignete Vorsichtsmaßnahmen die Rückschlagkräfte beherrschen.
- b) **Arbeiten Sie besonders vorsichtig im Bereich von Ecken, scharfen Kanten usw. Verhindern Sie, dass Einsatzwerkzeuge vom Werkstück zurückprallen und verklemmen.** Das rotierende Einsatzwerkzeug neigt bei Ecken, scharfen Kanten oder wenn es abprallt dazu, sich zu verklemmen. Dies verursacht einen Kontrollverlust oder Rückschlag.
- c) **Verwenden Sie kein gezähntes Sägeblatt.** Solche Einsatzwerkzeuge verursachen häufig einen Rückschlag oder den Verlust der Kontrolle über das Elektrowerkzeug.
- d) **Führen Sie das Einsatzwerkzeug stets in der gleichen Richtung in das Material, in der die Schneidkante das Material verlässt (entspricht der gleichen Richtung, in der die Späne ausgeworfen werden).** Führen des Elektrowerkzeugs in die falsche Richtung bewirkt ein Ausbrechen der Schneidkante des Einsatzwerkzeuges aus dem Werkstück, wodurch das Elektrowerkzeug in diese Vorschubrichtung gezogen wird.
- e) **Spannen Sie das Werkstück bei der Verwendung von Drehfeilen, Trennscheiben, Hochgeschwindigkeitsfräswerkzeugen oder Hartmetall-Fräswerkzeugen stets fest.** Bereits bei geringer Verkantung in der Nut verhaken diese Einsatzwerkzeuge und können einen Rückschlag verursachen. Bei Verhaken einer Trennscheibe bricht diese gewöhnlich. Bei Verhaken von Drehfeilen, Hochgeschwindigkeitsfräswerkzeugen oder Hartmetall-Fräswerkzeugen, kann der Werkzeugeinsatz aus der Nut springen und zum Verlust der Kontrolle über das Elektrowerkzeug führen.

Zusätzliche Sicherheitshinweise zum Schleifen und Trennschleifen

Besondere Sicherheitshinweise zum Schleifen und Trennschleifen:

- a) Verwenden Sie ausschließlich die für Ihr Elektrowerkzeug zugelassenen Schleifkörper und nur für die empfohlenen Einsatzmöglichkeiten. Beispiel: Schleifen Sie nie mit der Seitenfläche einer Trennscheibe. Trennscheiben sind zum Materialabtrag mit der Kante der Scheibe bestimmt. Seitliche Kräfteinwirkung auf diese Schleifkörper kann sie zerbrechen.
- b) Verwenden Sie für konische und gerade Schleifstifte mit Gewinde nur unbeschädigte Dorne der richtigen Größe und Länge, ohne Hinterschneidung an der Schulter. Geeignete Dorne verhindern die Möglichkeit eines Bruchs.
- c) Vermeiden Sie ein Blockieren der Trennscheibe oder zu hohen Anpressdruck. Führen Sie keine übermäßig tiefen Schnitte aus. Eine Überlastung der Trennscheibe erhöht deren Beanspruchung und die Anfälligkeit zum Verankern oder Blockieren und damit die Möglichkeit eines Rückschlags oder Schleifkörperbruchs.
- d) Meiden Sie mit Ihrer Hand den Bereich vor und hinter der rotierenden Trennscheibe. Wenn Sie die Trennscheibe im Werkstück von Ihrer Hand wegbewegen, kann im Falle eines Rückschlags das Elektrowerkzeug mit der sich drehenden Scheibe direkt auf Sie zugeschleudert werden.
- e) Falls die Trennscheibe verklemmt oder Sie die Arbeit unterbrechen, schalten Sie das Gerät aus und halten Sie es ruhig, bis die Scheibe zum Stillstand gekommen ist. Versuchen Sie nie, die noch laufende Trennscheibe aus dem Schnitt zu ziehen, sonst kann ein Rückschlag erfolgen. Ermitteln und beheben Sie die Ursache für das Verklemmen.
- f) Schalten Sie das Elektrowerkzeug nicht wieder ein, solange es sich im Werkstück befindet. Lassen Sie die Trennscheibe erst ihre volle Drehzahl erreichen, bevor Sie den Schnitt vorsichtig fortsetzen. Anderenfalls kann die Scheibe verhaken, aus dem Werkstück springen oder einen Rückschlag verursachen.

- g) Stützen Sie Platten oder große Werkstücke ab, um das Risiko eines Rückschlags durch eine eingeklemmte Trennscheibe zu vermindern. Große Werkstücke können sich unter ihrem eigenen Gewicht durchbiegen. Das Werkstück muss auf beiden Seiten der Scheibe abgestützt werden, und zwar sowohl in der Nähe des Trennschnitts als auch an der Kante.
- h) Seien Sie besonders vorsichtig bei Tauchschnitten in bestehende Wände oder andere nicht einsehbare Bereiche. Die eintauchende Trennscheibe kann beim Schneiden in Gas- oder Wasserleitungen, elektrische Leitungen oder andere Objekte einen Rückschlag verursachen.

Zusätzliche Sicherheitshinweise zum Arbeiten mit Drahtbürsten

Besondere Sicherheitshinweise zum Arbeiten mit Drahtbürsten:

- a) Beachten Sie, dass die Drahtbürste auch während des üblichen Gebrauchs Drahtstücke verliert. Überlasten Sie die Drähte nicht durch zu hohen Anpressdruck. Wegfliegende Drahtstücke können sehr leicht durch dünne Kleidung und / oder die Haut dringen.
- b) Lassen Sie Bürsten vor dem Einsatz mindestens eine Minute mit Arbeitsgeschwindigkeit laufen. Achten Sie darauf, dass in dieser Zeit keine andere Person vor oder in gleicher Linie mit der Bürste steht. Während der Einlaufzeit können lose Drahtstücke wegfliegen.
- c) Richten Sie die rotierende Drahtbürste von sich weg. Beim Arbeiten mit diesen Bürsten können kleine Partikel und winzige Drahtstücke mit hoher Geschwindigkeit wegfliegen und durch die Haut dringen.

Sicherheitshinweise für Ladegeräte

- Dieses Gerät kann von Kindern ab 8 Jahren und darüber sowie von Personen mit verringerten physischen, sensorischen oder mentalen Fähigkeiten oder Mangel an Erfahrung und Wissen benutzt werden, wenn sie beaufsichtigt oder bezüglich des sicheren Gebrauchs des Gerätes unterwiesen wurden und die daraus resultierenden Gefahren verstehen. Kinder dürfen nicht mit dem Gerät spielen. Reinigung und Benutzer-Wartung dürfen nicht von Kindern ohne Beaufsichtigung durchgeführt werden.
- Wenn die Netzanschlussleitung dieses Gerätes beschädigt wird, muss sie durch den Hersteller oder seinen Kundendienst oder eine ähnlich qualifizierte Person ersetzt werden, um Gefährdungen zu vermeiden.



Das Ladegerät ist nur für den Betrieb im Innenbereich geeignet.

WARNUNG!

- Betreiben Sie das Gerät nicht mit beschädigtem Kabel, Netzkabel oder Netzstecker. Beschädigte Netzkabel bedeuten Lebensgefahr durch elektrischen Schlag.

Bedienung

- Verwenden Sie das Gerät niemals zweckentfremdet und nur mit Originalteilen / -zubehör. Der Gebrauch anderer als in der Bedienungsanleitung empfohlener Teile oder anderen Zubehörs kann eine Verletzungsgefahr für Sie bedeuten.

Akku-Pack laden

HINWEIS

- ▶ Ein neuer oder lange Zeit nicht genutzter Akku-Pack muss vor der ersten / erneuten Benutzung aufgeladen werden. Seine volle Kapazität erreicht der Akku-Pack nach ca. 3-5 Ladezyklen. Ein Ladevorgang dauert ca. 180 Minuten.

VORSICHT! VERLETZUNGSGEFAHR!

- ▶ Ziehen Sie immer den Netzstecker, bevor Sie den Akku-Pack aus dem Ladegerät nehmen bzw. einsetzen.
- ◆ Stecken Sie den Akku-Pack **4** in die Ladeschale **8**. Dieser lässt sich nur in der richtigen Polung einsetzen.
- ◆ Schließen Sie das Netzteil **9** an eine Steckdose an.
- ◆ Solange der Akku-Pack geladen wird, leuchtet die rote Ladezustandsanzeige **10**. Ist der Ladevorgang abgeschlossen, erlischt die rote Ladezustandsanzeige **10** und die grüne Ladezustandsanzeige **10a** leuchtet. Der Akku-Pack **4** ist einsatzbereit.

VORSICHT!

- ▶ Laden Sie einen Akku-Pack niemals unmittelbar nach dem Ladevorgang ein zweites Mal auf. Es besteht die Gefahr, dass der Akku-Pack überladen wird.

Akku-Pack ins Gerät einsetzen / entnehmen

Akku-Pack einsetzen:

- ◆ Stellen Sie den EIN- / AUS-Schalter **1** auf die Position „OFF“.
- ◆ Stecken Sie den Akku-Pack **4** in das Gerät, bis er einrastet.

Akku-Pack entnehmen:

- ◆ Drücken Sie gleichzeitig die seitlichen Tasten der Akku-Entriegelung **3** und entnehmen Sie den Akku-Pack **4**.

Akkuzustand ablesen

Der Zustand bzw. die Restleistung wird bei eingeschaltetem Gerät in der Akku-LED 2 wie folgt angezeigt:

ROT / ORANGE / GRÜN = maximale Ladung

ROT / ORANGE = mittlere Ladung

ROT = schwache Ladung – Akku aufladen

Werkzeug / Spannzange einsetzen / wechseln

- ◆ Betätigen Sie die Spindelarrretierung **7** und halten Sie diese gedrückt.
- ◆ Drehen Sie die Spannmutter **5** bis die Arrretierung einrastet.
- ◆ Lösen Sie die Spannmutter **5** mit dem Kombischlüssel **22** vom Gewinde.
- ◆ Entnehmen Sie ggf. ein eingesetztes Werkzeug.
- ◆ Schieben Sie zuerst das vorgesehene Werkzeug durch die Spannmutter **5** bevor Sie es in die zum Werkzeugschaft passende Spannzange **17** stecken.
- ◆ Betätigen Sie die Spindelarrretierung **7** und halten Sie diese gedrückt.
- ◆ Stecken Sie die Spannzange **17** in den Gewindeeinsatz und schrauben Sie dann die Spannmutter **5** mit dem Kombischlüssel **22** am Gewinde fest.

HINWEIS

- ▶ Verwenden Sie die Schraubendreherseite des Kombischlüssels **22** zum Lösen und Festziehen der Schraube der Spanndornen **12**.

Ein- und ausschalten / Drehzahlbereich einstellen

Einschalten / Drehzahlbereich einstellen:

- ◆ Stellen Sie den Ein- / Aus-Schalter mit Drehzahlregulierung **1** auf eine Position zwischen „1“ und „MAX“.

Ausschalten:

- ◆ Stellen Sie den Ein- / Aus-Schalter mit Drehzahlregulierung **1** auf die Position „OFF“.

Hinweise zu Materialbearbeitung / Werkzeug / Drehzahlbereich

- Verwenden Sie die Fräsbits **19** zur Bearbeitung von Stahl und Eisen unter Höchstdrehzahl.
- Ermitteln Sie den Drehzahlbereich zur Bearbeitung von Zink, Zinklegierungen, Aluminium, Kupfer und Blei durch Versuche an Probestücken.
- Bearbeiten Sie Kunststoffe und Materialien mit niedrigem Schmelzpunkt im niedrigen Drehzahlbereich.
- Bearbeiten Sie Holz mit hohen Drehzahlen.
- Führen Sie Reinigungs-, Polier- und Schwabbelarbeiten im mittleren Drehzahlbereich durch.

Die nachfolgenden Angaben sind unverbindliche Empfehlungen. Testen Sie beim praktischen Arbeiten auch selbst, welches Werkzeug und welche Einstellung für das zu bearbeitende Material optimal geeignet sind.

Geeignete Drehzahl einstellen:

Ziffer an der Drehzahlregulierung ①	zu bearbeitendes Material		
1-3	Kunststoff und Werkstoffe mit niedrigem Schmelzpunkt	6	Hartholz
4-5	Gestein, Keramik	Max	Stahl
5	Weichholz, Metall		

Anwendungsbeispiele / geeignetes Werkzeug auswählen:

Funktion	Zubehör	Verwendung	Überstand (min-max) mm
Bohren	HSS-Bohrer ⑪	Holz bearbeiten	18-25 beim kleinsten Bohrer ist der Überstand 10 mm
Fräsen	Fräsbits ⑲	Vielseitige Arbeiten; z.B. Ausbuchten, Aushöhlen, Formen, Nuten oder Schlitzte erstellen	18-25
Gravieren	Gravierbits ⑳	Kennzeichnung anfertigen, Bastelarbeiten	18-25
Polieren, Entrosten VORSICHT! Üben Sie nur leichten Druck mit dem Werkzeug auf das Werkstück aus.	Metallbürste ⑮	Entrosten	9-15
	Polierscheiben ⑬	Verschiedene Metalle und Kunststoffe, insbesondere Edelmetalle wie Gold oder Silber bearbeiten	12-18
Säubern	Kunststoffbürsten ⑱	z.B. schlecht zugängliche Kunststoffgehäuse säubern oder den Umgebungsbereich eines Türschlosses säubern	9-15
Schleifen	Schleifscheiben ⑭	Schleifarbeiten an Gestein, Holz, feine Arbeiten an harten Materialien, wie Keramik oder legiertem Stahl	12-18
	Schleifbits ㉑		10
Trennen	Trennscheiben ⑯	Metall, Kunststoff und Holz bearbeiten	12-18

- Der maximale Durchmesser von zusammengesetzten Schleifkörpern, Schleifkonen und Schleifstiften mit Gewindeeinsatz 55 mm darf nicht überschritten werden.
Der maximale Durchmesser für Sandpapier-Schleifzubehör 80 mm darf ebendfalls nicht überschritten werden.

HINWEIS

- ▶ Die max. zulässige Länge eines Spanndorns beträgt 33 mm.
- Zubehör in der Original-Box lagern oder die Zubehörteile anderweitig gegen Beschädigung schützen.
- Das Zubehör trocken und nicht im Bereich aggressiver Medien lagern.

Tipps und Tricks

- Wenn Sie zu hohen Druck ausüben, kann das eingespannte Werkzeug zerbrechen und /oder das Werkstück beschädigt werden. Sie können optimale Arbeitsergebnisse erzielen, indem Sie das Werkzeug mit gleich bleibendem Drehzahlbereich und geringem Druck an das Werkstück führen.
- Halten Sie das Gerät beim Trennen mit beiden Händen fest.
- Beachten Sie die Daten und Informationen in der Tabelle, um zu verhindern, dass das Spindelende den Lochboden des Schleifwerkzeugs berührt.

Wartung und Reinigung

Das Gerät ist wartungsfrei.

- Entfernen Sie Verschmutzungen vom Gerät. Verwenden Sie dazu ein trockenes Tuch.
- Führen Sie jeweils zu Beginn und am Ende eines längeren Nichtgebrauches einen kompletten Aufladevorgang des Akku-Packs ④ durch.
- Soll ein Lithium-Ionen-Akku längere Zeit gelagert werden, muss regelmäßig der Ladezustand kontrolliert werden. Der optimale Ladezustand liegt zwischen 50 % und 80 %. Das optimale Lagerungsklima ist kühl und trocken.

⚠️ WARNUNG!

- Lassen Sie Ihre Geräte von der Servicestelle oder einer Elektrofachkraft und nur mit Original-Ersatzteilen reparieren. Damit wird sichergestellt, dass die Sicherheit des Gerätes erhalten bleibt.

⚠️ WARNUNG!

- Lassen Sie den Austausch des Steckers oder der Netzleitung immer vom Hersteller des Gerätes oder seinem Kundendienst ausführen. Damit wird sichergestellt, dass die Sicherheit des Gerätes erhalten bleibt.

HINWEIS

- ▶ Nicht aufgeführte Ersatzteile (wie z.B. Akku, Ladegerät) können Sie über unsere Callcenter bestellen.

Entsorgung



Die Verpackung besteht aus umweltfreundlichen Materialien, die Sie über die örtlichen Recyclingstellen entsorgen können.



Werfen Sie Elektrowerkzeuge nicht in den Hausmüll!

Gemäß Europäischer Richtlinie 2012/19/EU müssen verbrauchte Elektrowerkzeuge getrennt gesammelt und einer umweltgerechten Wiederverwertung zugeführt werden.



Werfen Sie Akkus nicht in den Hausmüll!

⚠️ WARNUNG!

- Entfernen Sie den Akku vor der Entsorgung!

Defekte oder verbrauchte Akkus müssen gemäß Richtlinie 2006/66/EC recycelt werden. Geben Sie Akku-Pack und/oder das Gerät über die angebotenen Sammeleinrichtungen zurück.

Über Entsorgungsmöglichkeiten für ausgediente Elektrowerkzeuge / Akku-Pack informieren Sie sich bitte bei Ihrer Gemeinde- oder Stadtverwaltung.

Garantie der Kompersnaß Handels GmbH

Sehr geehrte Kundin, sehr geehrter Kunde,

Sie erhalten auf dieses Gerät 3 Jahre Garantie ab Kaufdatum. Im Falle von Mängeln dieses Produkts stehen Ihnen gegen den Verkäufer des Produkts gesetzliche Rechte zu. Diese gesetzlichen Rechte werden durch unsere im Folgenden dargestellte Garantie nicht eingeschränkt.

Garantiebedingungen

Die Garantiefrist beginnt mit dem Kaufdatum. Bitte bewahren Sie den Original Kassenbon gut auf. Diese Unterlage wird als Nachweis für den Kauf benötigt.

Tritt innerhalb von drei Jahren ab dem Kaufdatum dieses Produkts ein Material- oder Fabrikationsfehler auf, wird das Produkt von uns – nach unserer Wahl – für Sie kostenlos repariert oder ersetzt. Diese Garantieleistung setzt voraus, dass innerhalb der Drei-Jahres-Frist das defekte Gerät und der Kaufbeleg (Kassenbon) vorgelegt und schriftlich kurz beschrieben wird, worin der Mangel besteht und wann er aufgetreten ist.

Wenn der Defekt von unserer Garantie gedeckt ist, erhalten Sie das reparierte oder ein neues Produkt zurück. Mit Reparatur oder Austausch des Produkts beginnt kein neuer Garantiezeitraum.

Garantiezeit und gesetzliche Mängelansprüche

Die Garantiezeit wird durch die Gewährleistung nicht verlängert. Dies gilt auch für ersetzte und reparierte Teile. Eventuell schon beim Kauf vorhandene Schäden und Mängel müssen sofort nach dem Auspacken gemeldet werden. Nach Ablauf der Garantiezeit anfallende Reparaturen sind kostenpflichtig.

Garantieumfang

Das Gerät wurde nach strengen Qualitätsrichtlinien sorgfältig produziert und vor Auslieferung gewissenhaft geprüft.

Die Garantieleistung gilt für Material- oder Fabrikationsfehler. Diese Garantie erstreckt sich nicht auf

Produkteile, die normaler Abnutzung ausgesetzt sind und daher als Verschleißteile angesehen werden können oder für Beschädigungen an zerbrechlichen Teilen, z. B. Schalter, Akkus, Backformen oder Teile die aus Glas gefertigt sind.

Diese Garantie verfällt, wenn das Produkt beschädigt, nicht sachgemäß benutzt oder gewartet wurde. Für eine sachgemäße Benutzung des Produkts sind alle in der Bedienungsanleitung aufgeführten Anweisungen genau einzuhalten. Verwendungszwecke und Handlungen, von denen in der Bedienungsanleitung abgeraten oder vor denen gewarnt wird, sind unbedingt zu vermeiden.

Das Produkt ist nur für den privaten und nicht für den gewerblichen Gebrauch bestimmt. Bei missbräuchlicher und unsachgemäßer Behandlung, Gewaltanwendung und bei Eingriffen, die nicht von unserer autorisierten Service-Niederlassung vorgenommen wurden, erlischt die Garantie.

Abwicklung im Garantiefall

Um eine schnelle Bearbeitung ihres Anliegens zu gewährleisten, folgen Sie bitte den folgenden Hinweisen:

- Bitte halten Sie für alle Anfragen den Kassenbon und die Artikelnummer (z. B. IAN 12345) als Nachweis für den Kauf bereit.
- Die Artikelnummer entnehmen Sie bitte dem Typenschild, einer Gravur, auf dem Titelblatt ihrer Anleitung (unten links) oder als Aufkleber auf der Rück- oder Unterseite.
- Sollten Funktionsfehler oder sonstige Mängel auftreten kontaktieren Sie zunächst die nachfolgend benannte Serviceabteilung **telefonisch** oder per **E-Mail**.
- Ein als defekt erfasstes Produkt können Sie dann unter Beifügung des Kaufbelegs (Kassenbon) und der Angabe, worin der Mangel besteht und wann er aufgetreten ist, für Sie portofrei an die Ihnen mitgeteilte Service Anschrift übersenden.



Auf www.lidl-service.com können Sie diese und viele weitere Handbücher, Produktvideos und Software herunterladen.

Service

DE Service Deutschland

Tel.: 0800 5435 111 (Kostenfrei aus dem dt. Festnetz/Mobilfunknetz)

E-Mail: kompernass@lidl.de

AT Service Österreich

Tel.: 0820 201 222 (0,15 EUR/Min.)

E-Mail: kompernass@lidl.at

CH Service Schweiz

Tel.: 0842 665566 (0,08 CHF/Min., Mobilfunk max. 0,40 CHF/Min.)

E-Mail: kompernass@lidl.ch

IAN 279872

Importeur

Bitte beachten Sie, dass die folgende Anschrift keine Serviceanschrift ist. Kontaktieren Sie zunächst die benannte Servicestelle.

KOMPERNASS HANDELS GMBH

BURGSTRASSE 21

44867 BOCHUM

GERMANY

www.kompernass.com

Original- Konformitätserklärung

Wir, KOMPERNASS HANDELS GMBH, Dokumentenverantwortlicher: Herr Semi Uguzlu, BURGSTR. 21, 44867 BOCHUM, Deutschland, erklären hiermit, dass dieses Produkt mit den folgenden Normen, normativen Dokumenten und EG-Richtlinien übereinstimmt:

**Maschinenrichtlinie
(2006 / 42 / EC)**

**EG-Niederspannungsrichtlinie
(2014 / 35 / EU)**

**Elektromagnetische Verträglichkeit
(2014 / 30 / EU)**

**RoHS Richtlinie
(2011 / 65 / EU)**

Angewandte harmonisierte Normen:

EN 60745-1:2009/A11:2010
 EN 60745-2-23:2013
 EN 55014-1:2006/A2:2011
 EN 55014-2:2015
 EN 60335-1:2012/A11:2014
 EN 60335-2-29:2004/A2:2010
 EN 61000-3-2:2014
 EN 61000-3-3:2013
 EN 62233:2008

Typbezeichnung der Maschine:

Akku-Feinbohrschleifer PFBS 12 A1

Herstellungsjahr: 07-2016

Seriennummer: IAN 279872

Bochum, 08.06.2016




Semi Uguzlu

- Qualitätsmanager -

Technische Änderungen im Sinne der Weiterentwicklung sind vorbehalten.



KOMPERNASS HANDELS GMBH

BURGSTRASSE 21

44867 BOCHUM

DEUTSCHLAND / GERMANY

www.kompernass.com

Last Information Update · Stanje informacija · Versiunea informatiilor

Stand der Informationen: 06/2016 · Ident.-No.: PFBS12A1-062016-1

IAN 279872