



www.lidl-service.com



CORDLESS MULTI-GRINDER PFBS 12 A1

(GB)

CORDLESS MULTI-GRINDER

Translation of the original instructions

(SE)

FINBORRSLIP

Översättning av bruksanvisning i original

(FI)

AKKUKÄYTTÖINEN S PIENOISPORAKONE

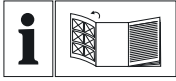
Alkuperäisen käyttöohjeen käännös

(DE) (AT) (CH)

AKKU-FEINBOHRSCHEIFER

Originalbetriebsanleitung

IAN 279872



GB

Before reading, unfold the page containing the illustrations and familiarise yourself with all functions of the device.

FI

Käännö ennen lukemista kuvallinen sivu esiin ja tutustu seuraavaksi laitteen kaikkiin toimintoihin.

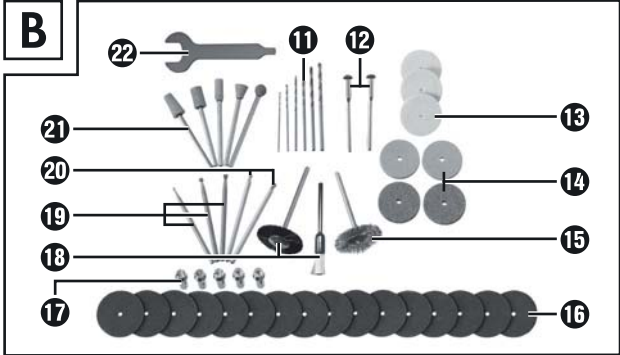
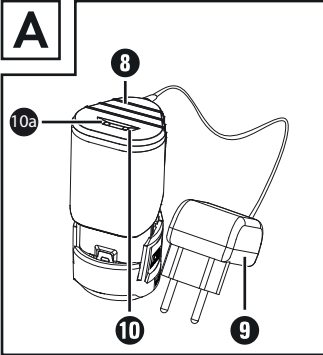
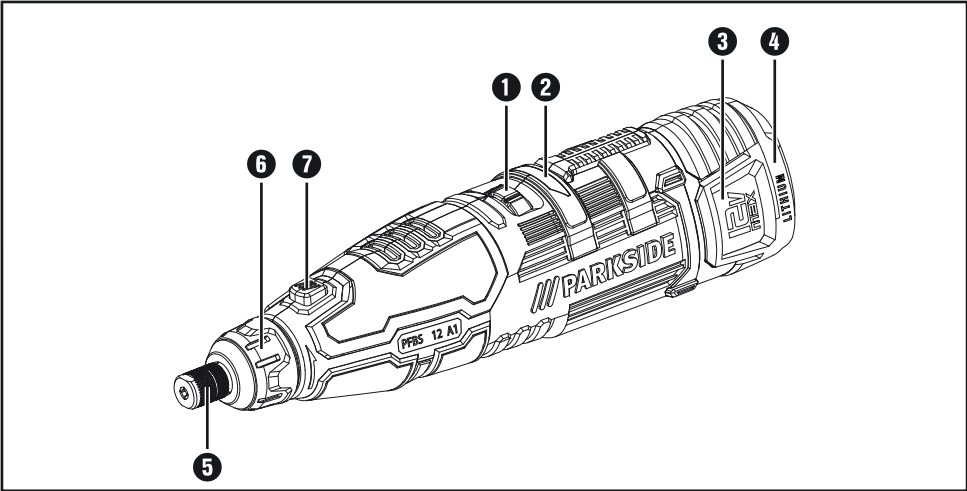
SE

Vik ut bildsidan och ha den till hands när du läser igenom anvisningarna och gör dig bekant med apparatens / maskinens funktioner.

DE AT CH

Klappen Sie vor dem Lesen die Seite mit den Abbildungen aus und machen Sie sich anschließend mit allen Funktionen des Gerätes vertraut.

GB	Translation of the original instructions	Page	1
FI	Alkuperäisen käyttöohjeen käännös	Sivu	15
SE	Översättning av bruksanvisning i original	Sidan	31
DE/AT/CH	Originalbetriebsanleitung	Seite	45



Contents

Introduction	2
Intended use	2
Features	2
Package contents	2
Technical details	2
General Power Tool Safety Warnings	3
1. Work area safety	3
2. Electrical safety	3
3. Personal safety	4
4. Power tool use and care	4
5. Use and handling of the cordless electrical power tool	5
6. Service	5
Safety instructions for all applications	5
Additional safety instructions for all applications	7
Supplementary safety instructions for grinding and abrasive cutting	8
Supplementary safety instructions for working with wire brushes	8
Safety guidelines for battery chargers	9
Use	9
Charging the battery pack	9
Attaching/disconnecting the battery pack to/from the appliance	10
Checking the battery charge level	10
Changing/inserting the tool/collet chuck	10
Switching on and off/setting speed range	10
Notes on working with materials/tools/speed range	10
Tips and tricks	12
Maintenance and cleaning	12
Disposal	13
Kompennass Handels GmbH warranty	13
Service	14
Importer	14
Translation of the original Conformity Declaration	14

CORDLESS MULTI-GRINDER PFBS 12 A1

Introduction

Congratulations on the purchase of your new appliance. You have selected a high-quality product.

The operating instructions are part of this product. They contain important information about safety, usage and disposal. Before using the product, please familiarise yourself with all operating and safety instructions. Use the product only as described and for the range of applications specified. Please also pass these operating instructions on to any future owner.

Intended use

This cordless precision drill/sander is intended for drilling, milling, engraving, polishing, cleaning, grinding, cutting of materials such as wood, metal, plastics, ceramics and stone in dry rooms using the corresponding attachments (as supplied). Any other usage of or modification to the appliance is deemed to be improper and carries a significant risk of accidents. The manufacturer accepts no responsibility for damage(s) attributable to misuse. This appliance is not intended for commercial use.

Features

Cordless precision drill/sander:

- ➊ ON/OFF switch/control dial
- ➋ Battery LED
- ➌ Battery release button
- ➍ Battery pack
- ➎ Tensioning nut
- ➏ Cap nut
- ➐ Spindle lock

Battery charger (see Fig. A):

- ➑ Charger cradle
- ➒ Mains adapter
- ➓ Red charge status indicator
- ➑ Green charge status indicator

Accessories (See Fig. B):

- ➊ 6 HSS drill bits
- ➋ 2 mandrels as tool holders
- ➌ 3 polishing discs
- ➍ 4 grinding discs
- ➎ 1 metal brush
- ➏ 16 cutting discs
- ➐ 5 collet chucks
- ➑ 2 synthetic brushes
- ➒ 3 milling bits
- ➓ 2 engraving bits
- ➑ 5 grinding bits
- ➒ 1 combination spanner

Package contents

- 1 cordless multi-grinder
- 1 charger cradle with mains adapter
- 1 accessories set (50 pieces)
- 1 set of operating instructions

Technical details

Model PFBS 12 A1:

Rated voltage:	12 V --- (DC)
Rated idle speed:	n 5000–25000 rpm
Max. disc ø:	25 mm

Chuck clamping
range:  max. ø 3.2 mm

Battery pack PFBS 12 A1-1:

INPUT:

Rated voltage:	12 V --- (DC)
Capacity:	1300 mAh
Type:	LITHIUM ION


Battery charger PFBS 12 A1-2:

Primary (input):

Rated voltage:	100–240 V \sim , 50–60 Hz (alternating current)
----------------	--

Rated power
consumption: 0.3 A

Secondary (output):

Rated voltage:	14.5 V --- (DC)
Rated current:	450 mA
Charging time:	approx. 3 hours
Protection class:	II/  (double insulation)

Noise emission value:

Noise measurement value determined in accordance with EN 60745. The A-rated noise level of the tool is typically:

Sound pressure level: $L_{pA} = 60.5 \text{ dB (A)}$

Uncertainty: $K_{pA} = 3 \text{ dB}$

Sound power level: $L_{WA} = 71.5 \text{ dB (A)}$

Uncertainty K: $K_{WA} = 3 \text{ dB}$

Wear hearing protection!

Total vibration value:

$a_h = 1.07 \text{ m/s}^2$

Uncertainty K: 1.5 m/s^2

NOTE

- ▶ The vibration level specified in these instructions has been measured in accordance with a standardised measuring procedure and can be used to make equipment comparisons. The specified vibration emission value can also be used to make an initial exposure estimate.

⚠ WARNING!

- ▶ The vibration level varies in accordance with the use of the power tool and may be higher than the value specified in these instructions in some cases. Regular use of the power tool in such a way may cause the user to underestimate the vibration. Try to keep the vibration loads as low as possible. Measures to reduce the vibration load are, e.g. wearing gloves and limiting the working time. All states of operation must be taken into account (e.g. times when the power tool is switched off and times where the power tool is switched on but running without load).

General Power Tool Safety Warnings



⚠ WARNING!

- ▶ Read all safety warnings and all instructions. Failure to follow the warnings and instructions may result in electric shock, fire and/or serious injury.

Save all warnings and instructions for future reference.

The term "power tool" in the warnings refers to your mains-operated (corded) power tool or battery-operated (cordless) power tool.

1. Work area safety


- Keep work area clean and well lit.**
Cluttered or dark areas invite accidents.
- Do not operate power tools in explosive atmospheres, such as in the presence of flammable liquids, gases or dust.** Power tools create sparks which may ignite the dust or fumes.
- Keep children and bystanders away while operating a power tool.** Distractions can cause you to lose control.

2. Electrical safety

- Power tool plugs must match the outlet. Never modify the plug in any way. Do not use any adapter plugs with earthed (grounded) power tools.** Unmodified plugs and matching outlets will reduce risk of electric shock.
- Avoid body contact with earthed or grounded surfaces, such as pipes, radiators, ranges and refrigerators.** There is an increased risk of electric shock if your body is earthed or grounded.
- Do not expose power tools to rain or wet conditions.** Water entering a power tool will increase the risk of electric shock.
- Do not abuse the cord. Never use the cord for carrying, pulling or unplugging the power tool. Keep cord away from heat, oil, sharp edges or moving parts.** Damaged or entangled cords increase the risk of electric shock.

- e) When operating a power tool outdoors, use an extension cord suitable for outdoor use. Use of a cord suitable for outdoor use reduces the risk of electric shock.
- f) If operating a power tool in a damp location is unavoidable, use a residual current device (RCD) protected supply. Use of an RCD reduces the risk of electric shock.

3. Personal safety

- a) Stay alert, watch what you are doing and use common sense when operating a power tool. Do not use a power tool while you are tired or under the influence of drugs, alcohol or medication. A moment of inattention while operating power tools may result in serious personal injury.
- b)  Use personal protective equipment. Always wear eye protection. Protective equipment such as dust mask, non-skid safety shoes, hard hat, or hearing protection used for appropriate conditions will reduce personal injuries.
- c) Prevent unintentional starting. Ensure the switch is in the off-position before connecting to power source and/or battery pack, picking up or carrying the tool. Carrying power tools with your finger on the switch or energising power tools that have the switch on invites accidents.
- d) Remove any adjusting key or wrench before turning the power tool on. A wrench or a key left attached to a rotating part of the power tool may result in personal injury.
- e) Do not overreach. Keep proper footing and balance at all times. This enables better control of the power tool in unexpected situations.
- f) Dress properly. Do not wear loose clothing or jewellery. Keep your hair, clothing and gloves away from moving parts. Loose clothes, jewellery or long hair can be caught in moving parts.
- g) If devices are provided for the connection of dust extraction and collection facilities, ensure these are connected and properly used. Use of dust collection can reduce dust-related hazards.

4. Power tool use and care

- a) Do not force the power tool. Use the correct power tool for your application. The correct power tool will do the job better and safer at the rate for which it was designed.
- b) Do not use the power tool if the switch does not turn it on and off. Any power tool that cannot be controlled with the switch is dangerous and must be repaired.
- c) Disconnect the plug from the power source and/or the battery pack from the power tool before making any adjustments, changing accessories, or storing power tools. Such preventive safety measures reduce the risk of starting the power tool accidentally.
- d) Store idle power tools out of the reach of children and do not allow persons unfamiliar with the power tool or these instructions to operate the power tool. Power tools are dangerous in the hands of untrained users.
- e) Maintain power tools. Check for misalignment or binding of moving parts, breakage of parts and any other condition that may affect the power tools operation. If damaged, have the power tool repaired before use. Many accidents are caused by poorly maintained power tools.
- f) Keep cutting tools sharp and clean. Properly maintained cutting tools with sharp cutting edges are less likely to bind and are easier to control.
- g) Use the power tool, accessories and tool bits, etc. in accordance with these instructions, taking into account the working conditions and the work to be performed. Use of the power tool for operations different from those intended could result in a hazardous situation.

5. Use and handling of the cordless electrical power tool

- a) Charge a rechargeable battery unit using only the charger recommended by the manufacturer. Chargers are often designed for a particular type of rechargeable battery unit. There is the danger of fire if other types of rechargeable battery units are used.
- b) Only the rechargeable battery units supplied are to be used with an electrical power tool. The use of other rechargeable battery units may lead to the danger of injury or fire.
- c) When they are not being used, store rechargeable battery units away from paper clips, coins, keys, nails, screws or other small metal objects that could cause the contacts to be bridged. Short-circuiting the contacts of a rechargeable battery unit may result in heat damage or fire.
- d) Fluids may leak out of rechargeable battery units if they are misused. If this happens, avoid contact with the fluid. If contact occurs, flush the affected area with water. Seek additional medical help if any of the fluid gets into your eyes. Escaping battery fluid may cause skin irritation or burns.



CAUTION! RISK OF EXPLOSION!
Never charge non-rechargeable batteries!



Protect the rechargeable battery from heat, for example from continuous exposure to sunlight, fire, water and moisture. There is a risk of explosion.



6. Service

- a) Have your power tool serviced by a qualified repair person using only identical replacement parts. This will ensure that the safety of the power tool is maintained.

Safety instructions for all applications

General safety instructions for grinding, sandpaper sanding, working with wire brushes, polishing, milling and abrasive cutting:

- a) This power tool is intended for use as a grinder, sandpaper sander, wire brush, polisher, milling machine and abrasive cutting appliance. Please follow all safety instructions, instructions, diagrams and data that you receive with the appliance. If you do not observe the following instructions, this can lead to electrical shock, fire and/or serious injuries.
- b) Do not use any accessories that have not been provided or recommended by the manufacturer for this power tool. Just because you can attach the accessories to your power tool, does not ensure they are safe to use.
- c) The permissible speed of the accessory tool used must be at least as high as the maximum speed specified for the power tool. Accessories that rotate faster than the permissible rate can break and throw pieces into the air.
- d) The external diameter and thickness of the accessory tool used must comply with the dimensions of the power tool. Incorrectly dimensioned accessory tools cannot be sufficiently shielded or controlled.
- e) Grinding discs, sanding drums or other accessories must match the grinding spindle or collet chuck of your power tool exactly. Accessory tools which do not fit precisely into the take-up of the power tool will rotate unevenly, vibrate severely and can lead to a loss of control.
- f) Discs, grinding cylinders, cutting tools or other accessories mounted on a mandrel must be completely inserted in the collet or chuck. Any "protrusion" or exposed parts of the mandrel between the grinding tool and the collet or chuck must be kept to a minimum.

- If the mandrel is not sufficiently tightened or the grinding tool protrudes too far, the tool could come loose and be thrown out at high speed.
- g) **Never use damaged accessory tools. Before each use, check accessory tools such as grinding discs for chips or cracks, sanding drums for cracks, wearing or excessive wear and tear and wire brushes for loose or broken wires. If the power tool or the accessory tool in use is dropped, check to see if it is damaged or use an undamaged accessory tool. When you have checked and inserted the accessory tool, ensure that you and any other people in the vicinity remain outside of the range of the rotating accessory tool and allow the tool to rotate at maximum speed for one minute. Damaged accessory tools usually break during this test period.**
 - h) **Wear personal protective equipment. Depending on the application, ensure that you use full face protection, eye protection or goggles. If required, use a dust mask, ear protectors, protective gloves or special apron to protect you from grindings and material particles. Protected your eyes from flying debris that may be created during certain applications. Dust or filter masks must be used to filter any dust created by the application. If you are exposed to loud noise for any length of time, you may suffer hearing loss.**
 - i) **Ensure that other people remain at a safe distance to your workspace. Anyone who enters the workspace must wear personal protective equipment. Fragments of the workpiece or broken accessory tools can fly off and cause injury – even outside the immediate working area.**
 - j) **Hold the power tool only by the insulated gripping surfaces when performing an operation where the accessory tool may contact hidden wiring or its own cord. Contact with a live cable can also make metal parts of the appliance live and could result in an electric shock.**
 - k) **Always hold the power tool firmly. When running up to full speed, the torque of the motor can cause the power tool to twist.**
 - l) **If possible, use clamps to hold the workpiece in position. Never hold a small workpiece in one hand and the power tool in the other while you are using it. By clamping small workpieces, you keep both hands free for better control of the power tool. When cutting round workpieces such as dowels, rods or pipes, be aware that these can roll away and this can cause the tool to jam and be thrown towards you.**
 - m) **Hold the power cord away from any rotating accessories. If you lose control of the appliance, the cord may get cut or caught and your hand or arm could get caught in the rotating accessory tool.**
 - n) **Never put the power tool down until the accessory tool has come to a complete standstill. The rotating accessory tool can come into contact with the surface and cause you to lose control of the power tool.**
 - o) **When changing accessory tools or changing settings, tighten the collet nut, the chuck or other fixing elements tightly. Loose fixing elements can shift unexpectedly and lead to loss of control; unfixed, rotating components will fly off violently.**
 - p) **Do not leave the power tool running whilst carrying it. Accidental contact between your clothing and the rotating accessory tool could lead to physical injury.**
 - q) **Clean the ventilation slits of your power tool regularly. The engine fan draws dust into the housing and a strong accumulation of metal dust can cause electrical hazards.**
 - r) **Do not use the power tool in the vicinity of flammable materials. Sparks can ignite such materials.**
 - s) **Do not use any accessory tools which require liquid coolant. The use of water or other liquid coolants may lead to electric shock.**

Additional safety instructions for all applications

Kickback and corresponding safety instructions

Kickback is a sudden reaction caused when a rotating accessory tool, e.g. grinding disc, abrasive band, wire brush, etc., catches or jams. Catching or jamming leads to an abrupt stop of the rotating accessory tool. If this happens, an uncontrolled power tool will turn rapidly against the direction of rotation of the accessory tool.

If, for example, a grinding disc catches or jams, the edge of the grinding disc that is projecting into the workpiece can get caught and break off the grinding disc or cause a kickback. The grinding disc can then fly in the direction of the operator or away from him, depending on the direction of rotation of the disc at the blockage. This can also break grinding discs.

A kickback is caused by incorrect use or misuse of the power tool. This can be avoided by taking proper precautions as given below.

- a) Hold the power tool firmly in both hands and position your body and arms so they can absorb the force of a kickback. By taking adequate precautions, the operator can stay in control of the kickback forces.
- b) **Take special care when working around corners, sharp edges, etc. Avoid allowing the accessory tool to bounce back from the workpiece or jam in the workpiece.** The rotating accessory tool is more likely to jam in corners or sharp edges or if it rebounds off them. This can cause a loss of control or kickback.
- c) **Do not use toothed saw blades.** Such accessories often cause a kickback or loss of control over the power tool.
- d) **Always move the accessory tool in the same direction in the material in which the cutting edge leaves the material (in other words, the same direction in which the dust is thrown out).** Guiding the power tool in the wrong direction will cause the cutting edge of the accessory tool to jump out of the workpiece which can lead to the accessory tool being pulled in this direction.
- e) **Always fix the workpiece when using rotary files, cutting discs, high-speed milling tools or hard-metal tools.** Even a minimal tilting in the groove can cause these tools to jam and lead to a kickback. When the cutting disc jams, it usually breaks. When a rotary file, high-speed milling tool or hard-metal milling tool jams, the accessory tool can jump out of the groove and lead to loss of control of the power tool.

Supplementary safety instructions for grinding and abrasive cutting

Special safety instructions for grinding and abrasive cutting

- a) Use only the grinding accessories approved for your power tool and only for the recommended applications. Example: Never grind with the side surface of a cutting disc. Cutting discs are designed to remove material with the edge of the disc. Any lateral application of force on these grinding tools can lead to breakage.
- b) Use only undamaged mandrels of the correct size and length and without undercut on the shoulder for conical and straight pencil grinders. Using an appropriate mandrel reduces the risk of breakages.
- c) Avoid cutting disc jams or excessive contact pressure. Do not make any excessively deep cuts. Overloading the cutting disc increases the stress and likelihood of tilting or jamming and thus the possibility of kickback or breakage of the grinding tool.
- d) Avoid putting your hand in the area in front of or behind the rotating cutting disc. When you move the cutting disc away from your hand, it is possible, in the event of a kickback, that the power tool along with the rotating disc could be thrown out directly towards you.
- e) If the cutting disc jams or you stop working, switch the tool off and hold it steady until the disc has completely stopped turning. Never attempt to pull a rotating cutting disc out of a cut. This could lead to kickback. Identify and remove the cause of the jam.
- f) Do not switch the power tool back on as long as it is in the workpiece. Allow the cutting disc to reach its full speed before you carefully continue the cut. Otherwise, the disc may jam, jump out of the workpiece or cause kickback.

- g) Support panels or large workpieces to reduce the risk of the cutting disc jamming and causing a kickback. Large workpieces can bend under their own weight. The workpiece must be supported on both sides, namely in the vicinity of the cut, and also at the edge.
- h) Be particularly careful when making "pocket cuts" into existing walls or other obscured areas. The inserted cutting disc may cut into gas or water pipes, electrical wiring or other objects that can cause kickback.

Supplementary safety instructions for working with wire brushes

Special safety instructions for working with wire brushes:

- a) Be aware that the brush can lose wire bristles even during normal operation. Do not over-stress the wires by applying excessive pressure to the brush. The wire bristles can easily penetrate light clothing and/or skin.
- b) Allow the brush to run at working speed for at least one minute before applying it to the workpiece. Ensure that no one is standing in front of or in line with the brush during this time. Loose pieces of wire could fly off during the run-in period.
- c) Aim the rotating steel brush away from yourself. When working with these brushes, small particles and minute pieces of wire can fly off at great speed and pierce skin.

Safety guidelines for battery chargers

- This appliance may be used by children aged 8 years and above and by persons with limited physical, sensory or mental capabilities or lack of experience and knowledge, provided that they are under supervision or have been told how to use the appliance safely and are aware of the potential risks. Do not allow children to use the appliance as a plaything. Cleaning and user maintenance tasks may not be carried out by children unless they are supervised.
- To avoid potential risks, damaged mains cables should be replaced by the manufacturer, their customer service department or a similarly qualified person.



The charger is suitable for indoor use only.

⚠ WARNING!

- Do not operate the appliance with a damaged cable, power cable or power plug. A damaged power cable poses a threat of fatal electric shock.

Use

- Never use the appliance for other purposes and only original parts/accessories. Using attachments or accessory tools other than those recommended in the operating instructions can lead to a risk of injury.

Charging the battery pack

NOTE

- ▶ A new battery pack or a battery pack which has not been used for a long time will need to be charged before first use/reuse. It will reach its full capacity after 3–5 charge cycles. The charging process lasts around 180 minutes.

⚠ CAUTION! RISK OF INJURY!

- ▶ Always unplug the appliance before you remove the battery pack from or connect the battery pack to the charger.
- ◆ Insert the battery pack **4** into the charger cradle **8**. It can only be inserted with the correct polarity.
- ◆ Connect the mains adapter **9** to a mains power socket.
- ◆ As long as the battery pack is charging, the red battery charge indicator **10** lights up. Once charging is completed, the red battery charge indicator **10** goes off and the green battery charge indicator **10a** lights up. The battery pack **4** is ready for use.

⚠ CAUTION!

- ▶ Never recharge a battery pack again immediately after charging. There is a risk that the battery pack will become overcharged.

Attaching/disconnecting the battery pack to/from the appliance

Inserting the battery pack:

- ◆ Push the ON/OFF switch **1** to the "OFF" position.
- ◆ Insert the battery pack **4** into the appliance until it clicks into place.

Removing the battery pack:

- ◆ Press the two battery release buttons **3** on the side of the appliance at the same time and remove the battery pack **4**.

Checking the battery charge level

If the appliance is switched on, the status/remaining charge will be shown on the battery LED 2 as follows:

RED / ORANGE / GREEN = maximum charge

RED / ORANGE = medium charge

RED = low charge - charge the battery

Changing/inserting the tool/collet chuck

- ◆ Press the spindle lock **7** and hold it down.
- ◆ Turn the tensioning nut **5** until the lock clicks into place.
- ◆ Undo the tensioning nut **5** from the thread using the combination spanner **22**.
- ◆ Remove any tool which is inserted.
- ◆ First push the intended tool through the tensioning nut **5** before inserting it into the appropriate collet chuck **17** for the tool shaft.
- ◆ Press the spindle lock **7** and hold it down.
- ◆ Push the collet chuck **17** into the thread insert and screw the tensioning nut **5** tight with the combination spanner **22**.

NOTE

- ▶ Use the screwdriver side of the combination spanner **22** to undo and tighten the screw on the mandrel **12**.

Switching on and off/setting speed range

Switching on/setting the speed range:

- ◆ Set the ON/OFF switch with the speed control **1** to a position between "1" and "MAX".

Switching off:

- ◆ Set the ON/OFF switch with the speed control **1** to the "OFF" position .

Notes on working with materials/ tools/speed range

- Use the milling bits **19** for working on steel and iron at maximum speed.
- Determine the rotational speed range for working on zinc, zinc alloys, aluminium, copper and lead by trying it out on test pieces.
- Use a low rotational speed for work on plastics and materials with a low melting point.
- Use a high rotational speed for working on wood.
- Carry out cleaning, polishing and buffing work in the medium speed range.

The following are recommendations only and not binding. When carrying out practical work, carry out your own tests to see which tool and which settings are ideal for the material you are working on.

Setting a suitable rotational speed:

Number on the speed control ①	Material being worked	Number on the speed control ①	Material being worked
1-3	Plastics and materials with a low melting point	6	Hardwood
4-5	Stone, ceramics	Max	Steel
5	Soft wood, metal		

Application examples/selecting a suitable tool:

Function	Accessories	Use	Protrusion (min-max) mm
Drilling	HSS drills ①	Working wood	18-25, using the smallest drill, the protrusion is 10 mm
Milling	Milling bits ⑱	Various jobs; e.g. creating recesses, hollows, forms, grooves or slits	18-25
Engraving	Engraving bits ⑳	Labelling, handicraft	18-25
Polishing, rust removal CAUTION! Exert only slight pressure when applying the tool to the workpiece.	Metal brush ⑮	Rust removal	9-15
	Polishing discs ⑬	Various metals and plastics, especially precious metals such as gold and silver	12-18
Cleaning	Synthetic brushes ⑱	e.g. cleaning hard-to-access plastic housings or the area around a door lock	9-15
Grinding	Grinding discs ⑭	Grinding work on stone, wood, fine work on hard materials such as ceramics or alloyed steel	12-18
	Grinding bits ㉑		10
Disconnecting	Cutting discs ⑯ metal	Working metal, plastic and wood	12-18

- Note that the maximum diameter of the grinding assembly, and of grinding cones and pencil grinders with a thread insert, may not exceed 55 mm and the maximum diameter for sand-paper sanding accessories may not exceed 80 mm.

NOTE

- ▶ The max. permissible length of a mandrel is 33 mm.
- Store the accessories in the original box or store the accessory components somewhere else to protect them from damage.
- Store the accessories somewhere dry and not in the vicinity of aggressive media.

Tips and tricks

- If you exert too much pressure, the fitted tool can break and/or the workpiece could be damaged. You will achieve optimum working results by moving the tool over the workpiece at a steady speed and while exerting light pressure.
- When carrying out cutting work, hold the appliance firmly with both hands.
- Observe the data and the information in the table to prevent the end of the spindle from touching the perforated base of the grinding tool.

Maintenance and cleaning

The appliance is maintenance-free.

- Remove all dirt from the appliance. Use a dry cloth to do this.
- At the beginning and end of an extended period of non-use, charge the battery pack **4** fully.
- If a lithium-ion battery is to be stored for an extended period, the charge level should be checked regularly. The optimum charge level is between 50% and 80%. The optimum storage environment is cool and dry.

⚠ WARNING!

- Have the power tool repaired by the service centre or a qualified electrician and only using genuine replacement parts. This will ensure that the safety of the appliance is maintained.

⚠ WARNING!

- Always ensure that the power plug or the mains cable is replaced only by the manufacturer of the appliance or by an approved customer service provider. This will ensure that the safety of the appliance is maintained.

NOTE

- ▶ Replacement parts not listed (such as the rechargeable battery, battery charger) can be ordered via our service hotline.

Disposal



The packaging is made from environmentally friendly material and can be disposed of at your local recycling plant.



Do not dispose of power tools in your normal household waste!

European Directive 2012/19/EU requires that worn-out power tools be collected separately and recycled in an environmentally compatible manner.



Do not dispose of batteries in your normal domestic waste!

⚠ WARNING!

- Remove the battery before disposal.

Defective or worn-out rechargeable batteries must be recycled according to Directive 2006/66/EC. Take the battery pack and/or appliance to a nearby collection facility. Please consult your local authorities regarding suitable disposal of worn out power tools/battery packs.

Kompernass Handels GmbH warranty

Dear Customer,

This appliance has a 3-year warranty valid from the date of purchase. If this product has any faults, you, the buyer, have certain statutory rights. Your statutory rights are not restricted in any way by the warranty described below.

Warranty conditions

The validity period of the warranty starts from the date of purchase. Please keep your original receipt in a safe place. This document will be required as proof of purchase.

If any material or production fault occurs within three years of the date of purchase of the product, we will either repair or replace the product for you at our discretion. This warranty service is dependent on you presenting the defective appliance and

the proof of purchase (receipt) and a short written description of the fault and its time of occurrence.

If the defect is covered by the warranty, your product will either be repaired or replaced by us. The repair or replacement of a product does not signify the beginning of a new warranty period.

Warranty period and statutory claims for defects

The warranty period is not prolonged by repairs effected under the warranty. This also applies to replaced and repaired components. Any damage and defects present at the time of purchase must be reported immediately after unpacking. Repairs carried out after expiry of the warranty period shall be subject to a fee.

Scope of the warranty

This appliance has been manufactured in accordance with strict quality guidelines and inspected meticulously prior to delivery.

The warranty covers material faults or production faults. The warranty does not extend to product parts subject to normal wear and tear or fragile parts such as switches, batteries, baking moulds or parts made of glass.

The warranty does not apply if the product has been damaged, improperly used or improperly maintained. The directions in the operating instructions for the product regarding proper use of the product are to be strictly followed. Uses and actions that are discouraged in the operating instructions or which are warned against must be avoided.

This product is intended solely for private use and not for commercial purposes. The warranty shall be deemed void in cases of misuse or improper handling, use of force and modifications/repairs which have not been carried out by one of our authorised Service centres.

Warranty claim procedure

To ensure quick processing of your case, please observe the following instructions:

- Please have the till receipt and the item number (e.g. IAN 12345) available as proof of purchase.
- You will find the item number on the type plate, an engraving on the front page of the instructions (bottom left), or as a sticker on the rear or bottom of the appliance.
- If functional or other defects occur, please contact the service department listed either by **telephone** or by **e-mail**.
- You can return a defective product to us free of charge to the service address that will be provided to you. Ensure that you enclose the proof of purchase (till receipt) and information about what the defect is and when it occurred.



You can download these instructions along with many other manuals, product videos and software on www.lidl-service.com.

Service



Service Great Britain

Tel.: 0871 5000 720 (£ 0.10/Min.)

E-Mail: kompennass@lidl.co.uk

IAN 279872

Importer

Please note that the following address is not the service address. Please use the service address provided in the operating instructions.

KOMPENASS HANDELS GMBH
BURGSTRASSE 21
44867 BOCHUM
GERMANY
www.kompennass.com

Translation of the original Conformity Declaration

We, KOMPENASS HANDELS GMBH, documents officer: Mr. Semi Uguzlu, BURGSTR. 21, 44867 BOCHUM, Germany, hereby declare that this product complies with the following standards, normative documents and the EC directives:

**Machinery Directive
(2006/42/EC)**

**EC Low Voltage Directive
(2014/35/EU)**

**EMC (Electromagnetic Compatibility)
(2014/30/EU)**

**RoHS Directive
(2011/65/EU)**

Applied harmonised standards:

EN 60745-1:2009/A11:2010
EN 60745-2-23:2013
EN 55014-1:2006/A2:2011
EN 55014-2:2015
EN 60335-1:2012/A11:2014
EN 60335-2-29:2004/A2:2010
EN 61000-3-2:2014
EN 61000-3-3:2013
EN 62233:2008

Type designation of machine:

Cordless multi-grinder PFBS 12 A1

Year of manufacture: 07-2016

Serial number: IAN 279872

Bochum, 08/06/2016

Semi Uguzlu

- Quality Manager -

The right to effect technical changes in the context of further development is reserved.



Sisällysluettelo

Johdanto	16
Määräystenmukainen käyttö	16
Laitteen osat	16
Toimitussisältö	16
Tekniset tiedot	16
Sähkötyökaluja koskevia yleisiä turvallisuusohjeita	17
1. Työpaikan turvallisuus	17
2. Sähköturvallisuus	17
3. Henkilöiden turvallisuus	18
4. Sähkötyökalun käyttö ja käsittely	18
5. Akkutyökalun käyttö ja käsittely	19
6. Huolto	19
Turvallisuusohjeet kaikkiin käyttöihin	19
Lisää turvallisuusohjeita kaikkiin käyttöihin	21
Lisää turvallisuusohjeita hiontaan ja katkaisuhiontaan	22
Lisäohjeita turvalliseen teräsharjalla työskentelyyn	22
Latureita koskevat turvallisuusohjeet	23
Käyttö	23
Akun lataaminen	23
Akun asettaminen laitteeseen ja irrottaminen laitteesta	24
Akun varaustilan tarkastaminen	24
Työkalun/kiristysholkin asentaminen/vaihtaminen	24
Päälle ja pois päältä kytkentä / kierrosluvun säätäminen	24
Materiaalintyöstöä/työkalua/kierrosnopeusaluetta koskevia ohjeita	24
Vinkkejä ja ohjeita	26
Huolto ja puhdistus	26
Hävittäminen	27
Kompennass Handels GmbH:n takuu	27
Huolto	28
Maahantuoja	28
Alkuperäisen vastaavuusvakuutuksen käännös	29

AKKUKÄYTTÖINEN PIENOIS- PORAKONE PFBS 12 A1

Johdanto

Onnitellut uuden laitteen hankinnasta. Olet valinnut laadukkaan tuotteen. Käyttöohje on osa tätä tuotetta. Se sisältää turvallisuutta, käyttöä ja hävittämistä koskevia tärkeitä ohjeita. Tutustu ennen tuotteen käyttöä kaikkiin käyttö- ja turvallisuusohjeisiin. Käytä tuotetta vain kuvatulla tavalla ja vain mainittuihin käyttötarkoituksiin. Kun luovutat tuotteen eteenpäin, liitä mukaan kaikki tuotetta koskevat asiakirjat.

Määräystenmukainen käyttö

Akkukäyttöistä pienpora- ja hiomakonetta (mukana toimitettuine) lisävarusteineen voidaan käyttää materiaalien kuten puun, metallin, muovin, keramiikan tai kiven poraamiseen, jyrsimiseen, kaivertamiseen, kiillottamiseen, puhdistamiseen, hiomiseen ja katkaisemiseen kuivissa tiloissa. Laitteen muu käyttö tai muuttaminen on määräystenvastaista, ja siihen liittyy huomattava tapaturmariski. Valmistaja ei ota mitään vastuuta määräystenvastaisesta käytöstä aiheutuneista vahingoista. Laitetta ei ole tarkoitettu ammattikäyttöön.

Laitteen osat

Akkukäyttöinen pienpora- ja hiomakone:

- 1 Virtakytkin / kierrosnopeuden säätö
- 2 Akkuvarauksen LED-merkkivalo
- 3 Akun vapautuspainike
- 4 Akku
- 5 Kiristysmutteri
- 6 Liitosmutteri
- 7 Karan lukitus

Akkulaturi (ks. kuva A):

- 8 Latausteline
- 9 Verkkovirtalaturi
- 10 Lataustilan merkkivalo punainen
- 10a Lataustilan merkkivalo vihreä

Lisävarusteet (ks. kuva B):

- 11 6 HSS-poraa
- 12 2 kiinnitystuurnaa työkalun kiinnittämistä varten
- 13 3 kiillotuslaikkaa
- 14 4 hiomalaikkaa
- 15 1 metalliharja
- 16 16 katkaisulaikkaa
- 17 5 kiristysholkkia
- 18 2 muoviharjaa
- 19 3 jyrinpäätä
- 20 2 kaiverruspäätä
- 21 5 hiontapäätä
- 22 1 kiintolenkki


Toimitussisältö

- 1 akkukäyttöinen pienoisorakone
- 1 latausteline ja verkkovirtalaturi
- 1 lisävarustesetti (50 osaa)
- 1 käyttöohje

Tekniset tiedot

Malli PFBS 12 A1:

- Nimellisvirta: 12 V \equiv (tasavirta)
- Nimelliskierros-luku tyhjäkäynnillä: n 5000-25000 / min⁻¹
- Laikkojen halkaisija maks.: 25 mm

- Poraistukan kiristysalue:  maks. Ø 3,2 mm

Akku PFBS 12 A1-1:

- TULO/input:
 - Nimellisjännite: 12 V \equiv (tasavirta)
 - Kapasiteetti: 1300 mAh
 - Tyyppi: LITUMIONI

Laturi PFBS 12 A1-2:

- Ensisijainen (tulo/input):
 - Nimellisjännite: 100-240 V~, 50-60 Hz (vaihtovirta)
 - Nimellisototeho: 0,3 A

Toissijainen (lähtö/output):

- Nimellisjännite: 14,5 V \equiv (tasavirta)
- Nimellisvirta: 450 mA
- Latauksen kesto: n. 3 tuntia
- Suojausluokka: II/□ (kaksoiseristys)

Melupäästö:

Meluarvot on mitattu standardien EN ISO 60745 mukaan. Sähkötyökalun tyyppillinen A-painotettu melutaso:

A-äänitaso:	$L_{pA} = 60,5 \text{ dB (A)}$
Epävarmuus:	$K_{pA} = 3 \text{ dB}$
Ääniteho:	$L_{WA} = 71,5 \text{ dB (A)}$
Epävarmuus K:	$K_{WA} = 3 \text{ dB}$

Käytä kuulosuojaimia!

Tärinäarvo yhteensä:

$a_h = 1,07 \text{ m/s}^2$
Epävarmuus K: $1,5 \text{ m/s}^2$

OHJE

- Näissä ohjeissa ilmoitettu tärinäalustus on mitattu normitetulla mittausmenetelmällä, ja sitä voidaan käyttää laitevertailuun. Ilmoitettua tärinäalustusarvoa voidaan käyttää myös alistuksen suuntaa antavaan arviointiin.

VAROITUS!

- Tärinäalustus muuttuu sähkötyökalun käytön mukaan ja saattaa joissain tapauksissa ylittää tässä ohjeessa mainitun arvon. Tärinäalustusta saatetaan aliarvioida, jos sähkötyökalua käytetään säännöllisesti tällaisella tavalla. Pyri pitämään tärinän aiheuttama kuormitus mahdollisimman pienenä. Tärinäalustusta vähentävät esimerkiksi käsineiden käyttö työkalua käytettäessä ja työajan rajoittaminen. Tällöin on otettava huomioon koko käyttöaika (myös ajat, joina sähkötyökalu on sammutettuna ja joina se on päällä, mutta käy ilman kuormitusta).

Sähkötyökaluja koskevia yleisiä turvallisuusohjeita



VAROITUS!

- Lue kaikki turvallisuusohjeet ja muut ohjeet. Turvallisuusohjeiden ja muiden ohjeiden laiminlönti voi aiheuttaa sähköiskun, tulipalon ja/ tai vakavia loukkaantumisia.

Säilytä kaikki turvallisuusohjeet ja muut ohjeet myöhempää käyttöä varten.

Turvallisuusohjeissa käytetty käsite "sähkötyökalu" koskee sekä verkkokäyttöisiä sähkötyökaluja (varustettu virtajohtolla) että akkukäyttöisiä sähkötyökaluja (ilman virtajohtoa).

1. Työpaikan turvallisuus


- Pidä työskentelyalue puhtaana ja huolehdi hyvästä valaistuksesta. Epäjärjestys ja valaistamattomat työskentelyalueet saattavat johtaa onnettomuuksiin.
- Älä käytä sähkötyökalua räjähdysalttiissa ympäristöissä, joissa on helposti syttyviä nesteitä, kaasuja tai pölyä. Sähkötyökaluilla työskenneltäessä syntyy kipinäntiä, joka voi sytyttää pölyn tai höyryt.
- Pidä lapset ja muut henkilöt poissa sähkötyökalun lähetyviltä työskentelyn aikana. Voit helposti menettää laitteen hallinnan, jos tarkkaavaisuutesi häiriintyy.

2. Sähköturvallisuus

- Sähkötyökalun pistokkeen on sovittava pistorasiaan. Pistoketta ei saa muuttaa millään tavalla. Älä käytä adapteripistokkeita suojamaadoitettujen sähkötyökalujen kanssa. Muuttamaton pistoke ja sopivat pistorasiat vähentävät sähköiskun vaaraa.
- Vältä kekokontaktia maadoitettujen pintojen, kuten putkien, lämpöpattereiden, liesien ja jääkaappien kanssa. Sähköiskun vaara on tavallista suurempi, jos kehoosi on maadoitettu.
- Suojaa sähkötyökaluja sateelta ja kosteudelta. Veden pääsy sähkölaitteeseen lisää sähköiskun vaaraa.

- d) Älä käytä virtajohtoa väärin sähkötyökalun kantamiseen tai ripustamiseen, äläkä irrota pistoketta pistorasiasta vetämällä virtajohdosta. Pidä johto loitolla kuumuudesta, öljystä, terävistä reunoista ja laitteen liikkuvista osista. Vaurioitunut tai kietoutunut virtajohto lisää sähköiskun vaaraa.
- e) Jos työskentelet sähkötyökalulla ulkona, käytä ainoastaan jatkojohtoja, joiden käyttö on sallittu myös ulkona. Ulkokäyttöön soveltuvan jatkojohdon käyttö pienentää sähköiskun vaaraa.
- f) Jos sähkötyökalun käyttöä kosteassa ympäristössä ei voida välttää, on käytettävä vikavirtakytkintä. Vikavirtakytkimen käyttö pienentää sähköiskun vaaraa.

3. Henkilöiden turvallisuus

- a) Ole aina tarkkaavainen, keskity siihen, mitä olet tekemässä, ja toimi harkiten työskennellessäsi sähkötyökalun kanssa. Älä käytä sähkötyökalua, jos olet väsynyt tai huumausaineiden, alkoholin tai lääkeaineiden vaikutuksen alaisena. Pienikin tarkkaavaisuuden herpaantuminen voi sähkötyökalua käytettäessä aiheuttaa vakavia loukkaantumisia.
- b)  Käytä henkilökohtaista suojavarustusta ja aina suojalaseja. Henkilökoh- taisten turvavarusteiden, kuten pölyltä suojaavan hengityssuojaimen, liukumattomien turvajalkineiden, suojakypärän tai kuulosuojain- ten, käyttö aina sähkötyökalun tyyppin ja käytön mukaisesti vähentää loukkaantumisriskiä.
- c) Varo käynnistämistä sähkötyökalua vahingossa. Varmista, että sähkötyökalu on kytketty pois päältä, ennen kuin liität sen sähköverkkoon ja/tai kiinnität akun, otat sähkötyökalun käteen tai kannat sitä. Tapaturmat ovat mahdollisia, jos sormesi on laitetta kantaessasi virtakytkimellä tai jos laite on jo kytketty päälle liittäessäsi sen sähköverkkoon.

- d) Poista kaikki säätötyökalut ja kiintoavaimet ennen sähkötyökalun käynnistämistä. Laitteen pyöriivässä osassa oleva työkalu tai avain voi aiheuttaa loukkaantumisia.
- e) Vältä työskentelyä epätavallisessa asennossa. Huolehdi tukevasta asennosta ja säilytä tasapaino koko ajan. Näin pystyt yllättävissä tilanteissa hallitsemaan sähkötyökalua paremmin.
- f) Käytä soveltuvaa vaatetusta. Älä käytä löysiä vaatteita tai koruja. Pidä hiukset, vaatetus ja käsineet poissa liikkuvien osien lähetyviltä. Löysä vaatetus, korut tai pitkät hiukset voivat jäädä kiinni liikkuviin osiin.
- g) Jos käytät pölynpoisto- ja pölynkeruulaitteita, varmista, että ne on liitetty laitteeseen ja että niitä käytetään oikein. Pölynpoistolaitteen käyttäminen voi vähentää pölyn aiheuttamia vaaroja.

4. Sähkötyökalun käyttö ja käsittely

- a) Älä ylikuormita laitetta. Käytä kulloiseenkin työhön soveltuvaa sähkötyökalua. Sopivalla sähkötyökalulla työskentely on tehokkaampaa ja turvallisempaa ohjeistetulla tehoalueella työskenneltäessä.
- b) Älä käytä sähkötyökalua, jonka kytkin on viallinen. Sähkötyökalu, jota ei voi enää kytkeä päälle tai pois päältä, on vaarallinen ja vaatii korjausta.
- c) Irrota pistoke pistorasiasta ja/tai poista akku, ennen kuin teet säätöjä laitteeseen, vaihdat lisävarusteita tai asetat laitteen sivuun. Tällä varotoimella estetään sähkötyökalun tahaton käynnistyminen.
- d) Säilytä käyttämättömät sähkötyökalut lasten ulottumattomissa. Älä anna laitetta sellaisten henkilöiden käyttöön, jotka eivät osaa käyttää laitetta tai eivät ole lukeneet näitä ohjeita. Sähkötyökalut ovat vaarallisia kokemattomien henkilöiden käsissä.
- e) Hoida sähkötyökaluja huolellisesti. Varmista, että liikkuvat osat toimivat moitteettomasti eivätkä juutu kiinni ja ettei mikään osa ole murtunut tai vahingoittunut niin, että sähkötyökalun toiminta häiriintyy. Korjauta vaurioituneet osat ennen laitteen käyttöä. Moni tapaturma johtuu huonosti huolletuista sähkötyökaluista.

- f) Pidä terät terävinä ja puhtaina. Huolella hoidetut ja leikkuureunoiltaan terävät leikkuuterät eivät juutu niin helposti kiinni, ja niiden käyttö on helpompaa.
- g) Käytä sähkötyökaluja, lisätarvikkeita, käyttötyökaluja jne. tässä annettujen ohjeiden mukaisesti. Huomioi tällöin työskentelyolosuhteet ja suoritettava tehtävä. Sähkötyökalujen käyttö muussa kuin niille tarkoitettussa käyttötarkoituksessa voi aiheuttaa vaaratilanteita.

5. Akkutyökalun käyttö ja käsittely

- a) Lataa akut ainoastaan valmistajan suosittelemilla lataureilla. Akkujen lataaminen muulla kuin niille tarkoitetuilla lataureilla saattaa aiheuttaa tulipalon.
- b) Käytä sähkötyökaluissa ainoastaan niille tarkoitettuja akkuja. Muiden akkujen käyttö voi johtaa loukkaantumisiin ja tulipalon vaaraan.
- c) Säilytä käyttämätöntä akku poissa paperiliitinten, kolikoiden, avainten, naulojen, ruuvien tai muiden pienten metalliesineiden läheltä, sillä nämä saattavat oikosulkea akun liitinnat. Oikosulku akkuliitintöjen välillä saattaa aiheuttaa palovammoja tai tulipalon.
- d) Virheellisessä käytössä akusta saattaa valua nestettä. Vältä koskettamasta sitä. Jos nestettä joutuu iholle, huuhtelee vedellä. Jos nestettä joutuu silmiin, hakeudu lisäksi lääkärin hoitoon. Ulos vuotava akkuneste voi aiheuttaa ihoärsytystä ja palovammoja.



VARO! RÄJÄHDYSVAARA!

Älä koskaan lataa muita kuin uudelleenladattavia akkuja.



Suojaa akku kuumuudelta, esim. pitkäkestoiselta auringonpaisteelta, tulelta, vedeltä ja kosteudelta.

On olemassa räjähdysvaara.



6. Huolto

- a) Anna sähkötyökalu vain pätevän ammattihenkilöstön korjattavaksi ainoastaan alkuperäisiä varaosia käyttäen. Näin voidaan taata sähkötyökalun turvallinen toiminta myös korjauksen jälkeen.

Turvallisuusohjeet kaikkiin käyttöihin

Yleiset turvallisuusohjeet hiontaan, hiekkapaperihiontaan, teräsharjoilla työstöön, kiillotukseen, jyrshintään ja katkaisuhiontaan:

- a) Tätä sähkötyökalua voidaan käyttää hiomakoneena, hiekkapaperihiomakoneena, teräsharjana, kiillotuskoneena, jyrsimenä ja katkaisuhiomakoneena. Huomioi kaikki laitteen mukana tulevat laitetta koskevat turvallisuusohjeet, ohjeet, kuvat ja tiedot. Seuraavien ohjeiden huomioimatta jättäminen voi aiheuttaa sähköiskun, tulipalon ja/tai vakavia vammoja.
- b) Älä käytä lisävarusteita, joita valmistaja ei eritoten ole suunnitellut tai suositellut tälle sähkötyökalulle. Vaikka lisäosa voitaisiin kiinnittää sähkötyökaluun, se ei ole turvallisen käytön taie.
- c) Asennettavan vaihtotyökalun sallitun pyörimisnopeuden on vastattava vähintään sähkötyökalun suurinta mahdollista pyörimisnopeutta. Sallittua nopeammin pyörivä vaihtotyökalu voi katketa ja singota.
- d) Asennettavan vaihtotyökalun ulkohalkaisijan ja paksuuden on vastattava sähkötyökalun mittoja. Mitoiltaan vääränlaisia vaihtotyökaluja ei voida riittävästi suojata tai hallita.
- e) Hiomalaikkojen, hiomarullien ja muiden lisävarusteiden on sovitava täsmälleen sähkötyökalun hiomakaraan tai kiristysholkkiin. Vaihtotyökalut, jotka eivät sovi tarkalleen sähkötyökalun kiinnitykseen, pyörivät epätasaisesti, tarvitsevat voimakkaasti ja saattavat johtaa hallitsemattomaan käyttöön.
- f) Tuurnaan asennetut laikat, hiomasylinterit, leikkuutyökalut ja muut lisävarusteet on asennettava kunnolla kiristysholkkiin tai -istukkaan. Hiomalaikan ja kiristysholkin tai -istukan väliin jäävän tuurnan vapaana olevan osan on oltava minimaalinen. Jos tuurtaa ei kiristetä riittävästi tai hiomalaikka on liian edessä, vaihtotyökalu voi irrota ja singota suurella nopeudella.

- g) Älä käytä vioittuneita vaihtotyökaluja. Tarkista asennettavat vaihtotyökalut ennen jokaista käyttöä ja varmista, ettei esimerkiksi hiomalaikeissa ole säröjä ja halkeamia, hiomarullissa halkeamia, hankaumia tai voimakkaita kulumia, eikä teräsharjoissa irtonaisia tai katkenneita harjaksia. Jos sähkötyökalu tai asennettava vaihtotyökalu on pudonnut, tarkista, ettei se ole vaurioitunut, tai käytä vahingoittumatonta vaihtotyökalua. Kun olet tarkistanut ja asentanut vaihtotyökalun, pysytele ja pidä myös muut lähellä olevat henkilöt poissa pyörivän työkalun tasolta ja anna sitten laitteen käydä suurimmalla mahdollisella pyörimisnopeudella yhden minuutin ajan. Vioittuneet työkalut murtuvat tavallisesti tämän koeajan kuluessa.
- h) Käytä henkilökohtaista suojaruustusta. Käytä käytöstä riippuen täydellistä kasvosuojainta, silmäsuojaa tai suojalaseja. Käytä tarvittaessa pölyltä suojaavaa hengityssuojaa, kuulosuojaa, suojakäsineitä tai erityistä esiliinaa, joka suojaa henolta hiomapölyltä ja materiaalihiukkasilta. Suojaa silmät eri käytöissä syntyviltä lentäviltä vierasesineiltä. Pöly- tai hengityssuojaimen on suodatettava käytössä syntyvä pöly. Jos altistut pitkiä aikoja kovalle melulle, kuulosi voi heikentyä.
- i) Varmista, että muut henkilöt ovat turvallisella etäisyydellä työskentelyalueelta. Jokaisen työskentelyalueelle astuvan on käytettävä henkilökohtaista suojaruustusta. Työstettävistä kappaleesta irronneet osat tai rikkoutuneet vaihtotyökalut voivat singota ja aiheuttaa loukkaantumisia myös välittömän työskentelyalueen ulkopuolella.
- j) Pidä kiinni vain laitteen eristetyistä kahvoista sellaisten töiden aikana, joissa työkalu voi osua piilossa oleviin sähköjohtoihin tai sähkötyökalun omaan sähköjohtoon. Jos työkalu osuu jännitettä johtavaan johtoon, jännite voi siirtyä myös laitteen metallisiin ja aiheuttaa sähköiskun.
- k) Pidä sähkötyökalusta tiukasti kiinni, kun kytket laitteen päälle. Kierrosnopeuden kiihtyessä maksimiinsa moottorin reaktiomomentti voi aiheuttaa sähkötyökalun vääntymisen.
- l) Jos mahdollista, käytä puristimia työkalupaleen kiinnittämiseen. Älä koskaan pidä pientä työstökappaletta toisessa kädessä ja päälle kytkettyä sähkötyökalua toisessa. Kun kiinnität pienet työstettävät kappaleet, sinulla on molemmat kädet vapaina ja voit paremmin hallita sähkötyökalua. Pyöreät kappaleet kuten puutapit, tangot tai putket voivat katkaistaessa pyöriä pois, minkä vuoksi vaihtotyökalu voi jumittua ja sinkoutua sinua kohti.
- m) Pidä liitäntäkaapeli etäällä pyörivistä vaihtotyökaluista. Jos menetät laitteen hallinnan, työkalu voi osua virtajohtoon, katkaista sen tai jäädä siihen kiinni, jolloin pyörivä työkalu voi osua käteesi tai käsivarteesi.
- n) Älä koskaan laske sähkötyökalua kädestäsi, ennen kuin vaihtotyökalu on täysin pysähtynyt. Pyörivä vaihtotyökalu voi osua työtasoon, minkä seurauksena saatat menettää sähkötyökalun hallinnan.
- o) Kiristä kiristysholkin mutteri, kiristysistukka tai muut kiristyselementit vaihtotyökalujen vaihdon tai säätämisen jälkeen. Löystyneet kiinnityselementit voivat liikua odottamatta ja aiheuttaa hallinnan menettämisen; irtonaiset, pyörivät komponentit sinkoutuvat voimalla.
- p) Kytke sähkötyökalu aina pois päältä, kun kannat sitä. Pyörivä vaihtotyökalu voi vahingossa osua vaatteisiisi ja porautua kehoosi.
- q) Puhdista sähkötyökalun tuuletusaukko säännöllisesti. Moottorin tuuletin vetää pölyä sisään laitteen rukkoon ja voimakas metallipölykertymä voi yhdessä sähkönsä kanssa aiheuttaa vaaratilanteita.
- r) Älä käytä sähkötyökalua syttyvien materiaalien lähellä. Kipinät voivat sytyttää nämä materiaalit.
- s) Älä käytä vaihtotyökaluja, joiden käyttö edellyttää nestemäistä jäähdytinainetta. Veden tai muiden nestemäisten jäähdytinaineiden käyttö voi aiheuttaa sähköiskun.

Lisää turvallisuusohjeita kaikkiin käyttöihin

Takaisku ja sitä koskevat turvallisuusohjeet

Takaisku on äkillinen reaktio, jossa pyörivän vaihtotyökalun, kuten hiomalaikan, hiomanauhan, teräsharjan tms. kiinni tai puristuksiin jääminen aiheuttaa pyörivän vaihtotyökalun nopean pysähdyksen. Tämän seurauksena hallitsematon sähkötyökalu iskeytyy takaisin työkalun pyörimissuunnan vastaisesti.

Jos esimerkiksi hiomalaikka jää työkappaleeseen kiinni tai sen toiminta estyy, hiomalaikan työkappaleeseen uppoava reuna voi jäädä kiinni ja haljeta, tai se voi aiheuttaa takaiskun. Hiomalaikka liikkuu silloin joko laitteen käyttäjää kohti tai hänestä pois riippuen laikan pyörimissuunnasta tarttumakohdassa. Tämä voi aiheuttaa myös hiomalaikan murtumisen.

Taaksepäin iskeytyminen aiheutuu sähkötyökalun vääränlaisesta tai virheellisestä käytöstä. Se voidaan estää soveltuvilla varotoimenpiteillä seuraavassa kuvatulla tavalla.

- a) Pidä sähkötyökalusta hyvin kiinni ja pidä kehosi käsivartesi sellaisessa asennossa, että voit reagoida takaiskuun. Laitetta käyttävät henkilöt voivat soveltuvilla varotoimenpiteillä hallita takaiskuvoimia.
- b) **Ole erityisen varovainen työstäessäsi kulmia, teräviä reunoja jne. ja varmista, ettei vaihtotyökalu iskeydy takaisin työstettävältä kappaleelta tai jää kiinni.** Pyörivä vaihtotyökalu jää helposti puristuksiin kulmissa, terävissä reunoissa tai ponnahtaessaan pois työstettävältä kappaleelta. Tämä aiheuttaa hallinnan menetyksen tai takaiskun.
- c) **Älä käytä hammastettua sahanterää.** Kyseiset työkalut aiheuttavat usein takaiskun tai sähkötyökalun hallinnan menettämisen.
- d) **Ohjaa vaihtotyökalu materiaalille aina siinä suunnassa, jossa leikkuureuna irtautuu materiaalista (samassa suunnassa kuin lastut irtoavat).** Jos sähkötyökalua ohjataan väärään suuntaan, työkalun leikkuureuna irtoaa työkalupaleelta, jolloin sähkötyökalu liikkuu syöttösuuntaan.
- e) **Purista työstettävä kappale aina, kun käytät pyöröviiloja, katkaisulaikkoja, suurnopeusjyrsimiä tai kovametallijyrsimiä.** Jo pienikin kanttaus urassa voi aiheuttaa näiden työkalujen jumittumisen ja takaiskun. Katkaisulaikka murtuu usein jumittuessaan. Pyörivien viilojen, suurnopeusjyrsinten tai kovametallijyrsinten jumittuminen voi johtaa työkalun kimpoamiseen urasta ja sähkötyökalun hallinnan menettämiseen.

Lisää turvallisuusohjeita hiontaan ja katkaisuhiontaan

Erityisiä turvallisuusohjeita hiontaan ja katkaisuhiontaan:

- a) Käytä yksinomaan sähkötyökalullesi hyväksytyjä hiomatarvikkeita ja vain niille suunniteltuihin käyttötarkoituksiin. Esimerkki: Älä koskaan hio katkaisulaikan sivupinnalla. Katkaisulaikat on tarkoitettu materiaalin poistoon laikan reunan avulla. Hiomatyökalu voi rikkoutua siihen kohdistuvan sivuttaisvoiman seurauksena.
- b) Käytä kierteellä varustettuihin kartiomaisiin ja suoriin hiomapuikkoihin vain ehjiä ja oikeankokoisia ja -pituisia, olakkeettomia tuurnoja. Sopivat tuurnat estävät mahdollisen murtumisen.
- c) Vältä katkaisulaikan jumiutumista tai siihen kohdistuvaa liian suurta painetta. Älä työstä liian syviä uria. Katkaisulaikan ylikuormittaminen lisää siihen kohdistuvaa rasitusta ja kallistumisen tai jumiutumisen ja siten takaiskun tai laikan rikkoutumisen mahdollisuutta.
- d) Pidä kätesi poissa pyörivän katkaisulaikan edessä ja takana olevalta alueelta. Jos liikutat työstettävässä kappaleessa kiinni olevaa katkaisulaikkaa kädestäsi pois päin, sähkötyökalu laikkoineen voi sinkoutua takaiskutilanteessa suoraan sinua kohti.
- e) Jos katkaisulaikka jää kiinni tai keskeytät työstämisen, kytkä laite pois päältä ja odota, kunnes laikka on pysähtynyt. Älä koskaan yritä vetää vielä pyörivää katkaisulaikkaa urasta, sillä laikka voi iskeytyä takaisin. Selvitä ja poista jumiutumisen aiheuttaja.
- f) Älä käynnistä sähkötyökalua uudelleen vaihtotyökalun ollessa kiinni työstettävässä kappaleessa. Anna katkaisulaikan ensin saavuttaa täysi pyörimisnopeus, ennen kuin jatkat varovasti katkaisua. Muuten laikka voi jäädä kiinni, ponnahtaa työkappaleesta tai aiheuttaa takaiskun.

- e) Estä kiinni jäävän katkaisulaikan aiheuttama takaisku tukemalla levyt tai suuremmat työkappaleet. Suuret työkappaleet voivat taipua oman painonsa vaikutuksesta. Työkappale on tuettava laikan molemmin puolin sekä katkaisuran läheltä että reunoilta.
- h) Ole erityisen varovainen seiniin tai muihin sellaisiin alueisiin tehtävissä ”taskuleikkuisia”, joihin ei ole täyttä näkyvyyttä. Katkaisulaikka voi kaasuihoni tai vesijohtoihin, sähköjohtoihin tai muihin vastaaviin kohteisiin osuessaan aiheuttaa takaiskun.

Lisäohjeita turvalliseen teräsharjalla työskentelyyn

Lisäohjeita turvalliseen teräsharjalla työskentelyyn:

- a) Huomaa, että teräsharjoista lähtee harjaksia myös normaalissa käytössä. Älä kuormita harjaksia painamalla liian kovaa. Sinkoilevat harjakset voivat helposti tunkeutua ohuen vaateuksen ja/tai ihon läpi.
- b) Anna harjojen pyöriä työskentelynopeudella vähintään minuutin ennen varsinaista käyttöä. Varmista, ettei kukaan tällöin seiso harjan edessä tai vieressä. Kiihdytyksen aikana teräsharjoista voi irrota lankoja.
- c) Suuntaa pyörivä teräsharja itsestäsi pois päin. Teräsharjoilla työskenneltäessä voi lentää pieniä hiukkasia ja langanpätkiä suurella nopeudella ja tunkeutua ihon läpi.

Latureita koskevat turvallisuusohjeet

- Kahdeksan vuotta täyttäneet lapset sekä henkilöt, joiden fyysiset, aistimukselliset tai henkiset kyvyt ovat rajalliset, tai joilla ei ole riittävää kokemusta tai tietoa laitteen käytöstä, saavat käyttää laitetta vain valvonnan alaisena, tai jos heitä on opastettu laitteen turvalliseen käyttöön, ja he ovat ymmärtäneet laitteen käyttöön liittyvät vaarat. Lapset eivät saa leikkiä laitteella. Lapset eivät saa suorittaa puhdistusta ja käyttäjähuoltoa ilman valvontaa.
- Jos tämän laitteen virtajohto vahingoittuu, johdon saa vaarojen välttämiseksi vaihtaa vain laitteen valmistaja, valmistajan asiakashuolto tai vastaavasti pätevä henkilö.



Laturi on tarkoitettu käytettäväksi vain sisätiloissa.

VAROITUS!

- Älä käytä laitetta, jos sen johto, virtajohto tai seinäpistoke on vaurioitunut. Viallinen verkkojohto merkitsee sähköiskun aiheuttamaa hengenvaaraa.

Käyttö

- Käytä laitetta ainoastaan sille osoitettuun käyttötarkoitukseen ja vain alkuperäisosien/-varusteiden kanssa. Muiden kuin käyttöohjeessa suositeltujen osien tai varusteiden käyttö voi aiheuttaa loukkaantumisia.

Akun lataaminen

OHJE

- Uusi tai kauan käyttämättä ollut akku on ladattava ennen ensimmäistä käyttöä tai seuraavaa käyttökertaa. Akku saavuttaa täyden kapasiteettinsa n. 3–5 latausyklin jälkeen. Lataus kestää n. 180 minuuttia.

HUOMIO! LOUKKAANTUMISVAARA!

- Irrota aina pistoke, ennen kuin poistat akun laturista tai asetat sen laturiin.
- ◆ Työnnä akku **4** lataustelineeseen **8**. Akku asettuu paikoilleen vain, kun navat ovat oikein päin.
- ◆ Liitä verkkovirtalaturi **9** pistorasiaan.
- ◆ Punainen lataustilan merkkivalo palaa niin kauan kuin akku latautuu **10**. Kun lataus on päättynyt, punainen lataustilan merkkivalo **10** sammuu, ja vihreä lataustilan merkkivalo **10a** syttyy. Akku **4** on käyttövalmis.

HUOMIO!

- Älä koskaan lataa akkua latauksen jälkeen välittömästi uudelleen. On olemassa akun yllilatautumisen vaara.

Akun asettaminen laitteeseen ja irrottaminen laitteesta

Akun asettaminen:

- ◆ Työnnä virtakytkin **1** OFF-asentoon.
- ◆ Aseta akku **4** laitteeseen niin, että se lokahtaa paikoilleen.

Akun irrottaminen:

- ◆ Paina samanaikaisesti sivulla olevia akun lukituksen vapautuspainikkeita **3** ja irrota akku **4**.

Akun varaustilan tarkastaminen

Akun varaus tai jäljellä oleva kapasiteetti näytetään päälle kytketyssä laitteessa akkuvarauksen LED-merkkivalolla 2 seuraavasti:

PUNAINEN/ORANSSI / VIHREÄ = maksimilataus
 PUNAINEN/ORANSSI = keskimääräinen lataus
 PUNAINEN = heikko lataus - lataa akku

Työkalun/kiristysholkin asentaminen/vaihtaminen

- ◆ Paina karan lukitusta **7** ja pidä se painettuna.
- ◆ Pyöritä kiristysmutteria, **5** kunnes se lukittuu.
- ◆ Irrota kiristysmutteri **5** kiintolenkillä **22** kiertestä.
- ◆ Poista tarvittaessa asennettu työkalu.
- ◆ Työnnä ensin haluamasi työkalu kiristysmutteri läpi **5** ennen kuin työnnät sitä työkalun varteen sopivaan kiristysholkiin **17**.
- ◆ Paina karan lukitusta **7** ja pidä se painettuna.
- ◆ Työnnä kiristysholki **17** kierteseen ja ruuvaa sitten kiristysmutteri **5** kiintolenkillä **22** kiinni kierteseen.

OHJE

- Käytä kiintolenkin **22** ruuvimeisselipuolta kiinnitystuurnojen ruuvien höllentämiseen ja kiristämiseen **12**.

Päälle ja pois päältä kytkentä / kierrosluvun säätäminen

Päällekytkentä / kierrosluvun säätäminen:

- ◆ Aseta virtakytkin ja siinä oleva kierrosluvunsäätö **1** asetusten 1 ja MAX välille.

Poiskytkentä:

- ◆ Aseta virtakytkin ja siinä oleva kierrosluvunsäätö **1** MAX-asentoon.

Materiaalintyöstöä/työkalua/kierrosnopeusaluetta koskevia ohjeita

- Käytä jyrsinpäitä **19** teräksen ja raudan työstämiseen suurimmalla kierrosnopeudella.
- Määritä sopiva kierrosnopeusalue sinkin, sinkiseosten, alumiinin, kuparin ja lyijyn työstöön koekappaleilla.
- Työstä muovia ja helposti sulavia materiaaleja pienellä kierrosluvulla.
- Työstä puuta suurilla kierrosnopeuksilla.
- Suorita puhdistus-, kiillotustyöt (myös kangaslakilla) keskimmaisella pyörimisnopeusalueella.

Seuraavat suositukset eivät ole sitovia. Testaa käytännössä, mikä työkalu ja mikä asetetus sopii työstettävälle materiaalille parhaiten.

Soveltuvan kierrosluvun säätäminen:

Kierrosnopeusluku ①	Työstettävä materiaali		
1-3	Muovi ja materiaalit, joiden sulamispiste on alhainen	6	Kova puu
4-5	Kivi, keramiikka	Maksimi	Teräs
5	Pehmeä puu, metalli		

Käyttöesimerkit / soveltuvan työkalun valitseminen:

Toiminto	Lisävarusteet	Käyttö	Tuurnan vapaana oleva osa (min-maks) mm
Poraaminen	HSS-pora ⑪	Puuntyöstö	18-25 pienimmällä poralla ulos tuleva osa 10 mm
Jyrsiminen	Jyrsinpäät ⑲	Moninaiset työt: esim. avartaminen, kovertaminen, muotoilu, urien jyrsiminen	18-25
Kaivertaminen	Kaiverruspäät ⑳	Merkintöjen tekeminen, askartelu	18-25
Kiillottaminen, ruosteen poistaminen HUOMIO! Paina työkalulla vain kevyesti työstettävää kappaletta.	Metalliharjat ⑮	ruosteen poistaminen	9-15
	Kiillotuslaikat ⑬	Erialaisten metallien ja muovien, varsinkin jalometallien kuten kullan tai hopean työstäminen	12-18
Puhdistaminen	Muoviharjat ⑱	Esim. vaikeapääsyisessä paikassa olevan muovikotelon puhdistus tai ovilukon reuna-alueiden puhdistaminen	9-15
Hiominen	Hiomalaikat ⑭	Kiven, puun hiominen, kovien materiaalien (esim. keramiikka tai seosteräs) hienotyöstö	12-18
	Hiontapäät ㉑		10
Irrottaminen	Katkaisulaikat ⑯ Metalli	Metallin, muovin ja puun työstö	12-18

- Yhdistettyjen hiomalaikkojen ja hiomakartioiden sekä kierreholkilla varustettujen hiomapuikkojen maksimi 55 mm:n halkaisijaa ei saa ylittää. Hiekkapaperilisävarusteiden maksimi 80 mm:n halkaisijaa ei niin ikään saa ylittää.

OHJE

- ▶ Kiinnitystuurnan suurin sallittu pituus on 33 mm.
- Säilytä lisävarusteet alkuperäisessä pakkauksessa tai suojaa ne muulla tavoin mahdollisilta vaurioilta.
- Varasto lisävarusteet kuivassa tilassa. Älä varastoi samassa tilassa voimakkaiden aineiden kanssa.

Vinkkejä ja ohjeita

- Jos painat liian voimakkaasti, kiinnitetty työkalu voi murtua ja/tai työkappale vaurioitua. Parhaimmat tulokset saat työskentelemällä koko ajan samalla kierrosnopeudella ja kohdistamatta työkappaleeseen liian suurta painetta.
- Pidä katkaisutöissä aina molemmin käsin kiinni laitteesta.
- Noudata taulukossa annettuja tietoja, jottei karan pää kosketa hiomatyökalun reikäpohjaa.

Huolto ja puhdistus

Laite ei vaadi huoltoa.

- Poista lika laitteesta. Käytä siihen kuivaa liinaa.
- Lataa akku **4** täyteen ennen ja jälkeen laitteen pidempää käytöstä poistoa.
- Jos litiumioniakku varastoidaan pidemmäksi aikaa, sen varaustila on tarkistettava säännöllisesti. Akun ihanteellinen varaustila on 50–80 prosenttia. Varastoi laite viileässä ja kuivassa paikassa.

VAROITUS!

- Laitteen huollossa tulee käyttää vain alkuperäisvaraosia. Toimita laite huoltopisteen tai alan korjaamon huollettavaksi. Näin varmistetaan, että laite säilyy turvallisena.

VAROITUS!

- Anna pistokkeen tai virtajohdon vaihtaminen aina laitteen valmistajan tai valtuutetun huoltopalvelun tehtäväksi. Näin varmistetaan, että laite säilyy turvallisena.

OHJE

- ▶ Varaosat (esim. akku, kytkimet), joita ei ole mainittu luettelossa, ovat tilattavissa asiakaspalvelustamme.

Hävittäminen



Pakkaus koostuu ympäristöystävällisistä materiaaleista, jotka voidaan toimittaa paikallisiin keräyspisteisiin.



Älä hävitä sähkötyökaluja kotitalousjätteen seassa!

Eurooppalaisen direktiivin 2012/19/EU mukaan käytöstä poistettavat sähkölaitteet on vietävä niille tarkoitettuun erilliseen keräyspisteeseen, josta ne voidaan toimittaa ympäristöystävälliseen kierrätykseen.



Älä hävitä akkuja kotitalousjätteen seassa!

VAROITUS!

- Poista akku ennen laitteen hävittämistä!

Vialliset tai loppuun kuluneet akut on kierrätettävä direktiivin 2006/66/EC määräysten mukaan. Vie akku ja/tai laite niille tarkoitettuihin keräyspisteisiin. Käytöstä poistettujen sähkötyökalujen/akkujen hävitysmahdollisuuksista voit kysyä asuinseutusi viranomaisilta.

Kompernass Handels GmbH:n takuu

Hyvä asiakas,

Laitteen takuu on 3 vuotta ostopäivästä. Jos havaitset tuotteessa puutteita, sinulla on oikeus vaatia tuotteen myyjältä lakisääteistä korvausta. Seuraava takuu ei rajoita lakisääteisiä oikeuksiasi ostajana.

Takuuehdot

Takuuaika lasketaan ostopäivämäärästä alkaen. Säilytä alkuperäinen ostokuitti hyvässä tallessa. Tarvitset ostokuittia todisteeksi ostosta.

Jos tässä tuotteessa ilmenee kolmen vuoden sisällä ostopäivästä materiaali- tai valmistusvirheitä, harkintamme mukaan joko korjaamme tai korvaamme tuotteen sinulle veloitusetta. Tämä takuu edellyttää, että viallinen laite toimitetaan meille yhdessä ostokuitin kanssa kolmen vuoden määräajan sisällä. Lisäksi mukaan on liitettävä lyhyt kuvaus viasta ja sen ilmenemisajankohdasta.

Jos takuu kattaa vian, saat joko tuotteen korjattuna takaisin tai uuden tuotteen. Takuuaika ei ala uudelleen tuotteen korjaamisen tai vaihdon jälkeen.

Takuuaika ja lakisääteinen virhevastuu

Takuukorjaus ei pidennä takuuaikaa. Tämä koskee myös vaihdettuja ja korjattuja osia. Mahdollisesti jo oston yhteydessä havaittavista vaurioista ja puutteista on ilmoitettava heti, kun tuote on purettu pakkauksesta. Takuuajan päättymisen jälkeen suoritettavat korjaukset ovat maksullisia.

Takuun laajuus

Laitte on valmistettu tiukkojen laatuvaatimusten mukaan huolella ja tarkastettu perusteellisesti ennen toimitusta.

Takuu koskee materiaali- tai valmistusvirheitä. Tämä takuu ei kata tuotteen osia, jotka altistuvat normaallille kulumiselle ja joita siksi voidaan pitää kulumisina osina, tai helposti rikki meneviä osia, kuten kytkimiä, akkuja, leivontavuokia tai lasista valmistettuja osia.

Tämä takuu raukeaa, jos tuote on vaurioitunut, tai sitä ei ole käytetty tai huollettu asianmukaisesti.

Tuotteen asianmukainen käyttö edellyttää kaikkien käyttöohjeessa esitettyjen ohjeiden tarkkaa noudattamista. Käyttäjän on ehdottomasti vältettävä käyttötarkoituksia ja toimintaa, joita käyttöohjeessa kehoitetaan välttämään ja joista siinä varoitetaan.

Tuote on tarkoitettu ainoastaan yksityiskäyttöön, ei kaupallisiin tarkoituksiin. Laitteen vääränlainen tai asiaton käsittely, väkivallan käyttö ja muut kuin valtuutetun huoltopisteen suorittamat korjaukset aiheuttavat takuun raukeamisen.

Toimiminen takuutapauksessa

Jotta asiasi voitaisiin käsitellä nopeasti, noudata seuraavia ohjeita:

- Pidä kaikkia kyselyitä varten kassakuitti ja artikkelinumero (esim. IAN 12345) tallessa todisteena ostosta.
- Artikkelinumeron löydät tyyppikilvestä (kaiverrus), käyttöohjeen etusivulta (alhaalla vasemmalla) tai laitteen taka- tai alapuolella olevasta tarrasta.
- Mikäli laitteessa ilmenee toimintahäiriöitä tai muita puutteita, ota ensin yhteyttä alla mainittuun huolto-osastoon **puhelimitse** tai **sähköpostitse**.
- Voit lähettää viollisena pitämäsi tuotteen yhdessä ostokuittin kanssa maksutta sinulle ilmoitettuun huolto-osoitteeseen. Liitä mukaan selvitys viasta ja siitä, milloin se on ilmennyt.



Osoitteessa www.lidl-service.com voit ladata tämän ja monia muita käsikirjoja, tuotevideoita ja ohjelmia.

Huolto

FI **Huolto Suomi**
Tel.: 010309 3582
E-Mail: kompernass@lidl.fi

IAN 279872

Maahantuoja

Huomaa, että seuraava osoite ei ole huolto-osoite. Ota ensin yhteyttä mainittuun huoltopisteeseen.

KOMPERNASS HANDELS GMBH
BURGSTRASSE 21
44867 BOCHUM
GERMANY
www.kompernass.com

Alkuperäisen vastaavuusva- kuutuksen käänös

Me, KOMPERNASS HANDELS GMBH, dokumen-
toinnista vastaava: Semi Uguzlu, BURGSTR. 21,
44867 BOCHUM, Saksa, vakuutamme täten,
että tämä tuote vastaa seuraavia standardeja,
normatiivisia asiakirjoja ja EY-direktiivejä:

Konedirektiivi
(2006 / 42 / EC)

EY:n pienjännitedirektiivi
(2014 / 35 / EU)

Sähkömagneettinen yhteensopivuus
(2014 / 30 / EU)

RoHS-direktiivi
(2011 / 65 / EU)

Sovelletut yhdenmukaistetut standardit:

EN 60745-1:2009/A11:2010

EN 60745-2-23:2013

EN 55014-1:2006/A2:2011

EN 55014-2:2015

EN 60335-1:2012/A11:2014

EN 60335-2-29:2004/A2:2010

EN 61000-3-2:2014

EN 61000-3-3:2013

EN 62233:2008

Koneen tyyppinimike:

Akkukäyttöinen pienoisorakone PFBS 12 A1

Valmistusvuosi: 7 -2016

Sarjanumero: IAN 279872

Bochum, 08.06.2016




Semi Uguzlu

- Laatujohtaja -

Pidätämme oikeuden laitekehityksestä aiheutuviin
teknisiin muutoksiin.

Innehållsförteckning

Inledning	32
Föreskriven användning	32
Utrustning	32
Leveransens innehåll	32
Tekniska data	32
Allmän säkerhetsinformation för elverktyg	33
1. Säkerhet på arbetsplatsen	33
2. Elsäkerhet	33
3. Personssäkerhet	34
4. Användning och hantering av elverktyget	34
5. Användning och hantering av det batteridrivna elverktyget	35
6. Service	35
Säkerhetsanvisningar för alla användningssätt	35
Fler säkerhetsanvisningar för alla användningssätt	37
Ytterligare säkerhetsanvisningar för slipning och kapslipning	38
Ytterligare säkerhetsanvisningar för arbete med stålborstar	38
Säkerhetsanvisningar för laddare	39
Användning	39
Ladda batteripaket	39
Sätta in/Ta ut batteripaketet	40
Kontrollera batteriets laddningsnivå	40
Sätta på/Byta verktyg/spännstång	40
Sätta på och stänga av/Ställa in varvtalsområde	40
Information om materialbearbetning/verktyg/varvtalsområde	40
Tips och knep	42
Underhåll och rengöring	42
Kassering	43
Garanti från Kompernass Handels GmbH	43
Service	44
Importör	44
Översättning av originalversionen av försäkran om överensstämmelse ..	44

FINBORRSLIP PFBS 12 A1

Inledning

Grattis till din nyinköpta produkt. Du har valt en produkt med hög kvalitet. Bruksanvisningen ingår som en del av leveransen. Den innehåller viktig information om säkerhet, användning och återvinning. Läs noga igenom alla användar- och säkerhetsanvisningar innan du börjar använda produkten. Använd endast produkten enligt beskrivningarna och i de syften som anges här. Lämna över all dokumentation tillsammans med produkten om du överlåter den till någon annan person.

Föreskriven användning

Den sladdlösa finborrslipen ska användas tillsammans med lämpliga tillbehör (som ingår i leveransen) i torra utrymmen för att borra, fräsa, gravera, polera, rengöra, slipa och kapa trä, metall, plast, keramik och sten. Alla övriga användningssätt och förändringar på produkten ligger utanför gränserna för den föreskrivna användningen och innebär avsevärda risker. Tillverkaren ansvarar inte för skador som uppstår på grund av felaktig användning. Produkten ska inte användas yrkesmässigt.

Utrustning

Sladdlös finborrslip:

- 1 På/Av-knapp/Varvtalsreglage
- 2 Batterilampa
- 3 Upplåsningsknapp för batteri
- 4 Batteripaket
- 5 Spännmutter
- 6 Kopplingsmutter
- 7 Spindelarretering

Batteriladdare (se bild A):

- 8 Laddskål
- 9 Nätdel
- 10 Röd laddningslampa
- 10a Grön laddningslampa

Tillbehör (se bild B):

- 11 6 HSS-borrar
- 12 2 spändorn till verktygsfäste
- 13 3 poleringsskivor
- 14 4 slipskivor
- 15 1 metallborste
- 16 16 kapskivor
- 17 5 spänntänger
- 18 2 plastborstar
- 19 3 fräsbits
- 20 2 graveringsbits
- 21 5 slipbits
- 22 1 kombinyckel

Leveransens innehåll

- 1 finborrslip
- 1 laddskål med nätdel
- 1 tillbehörset (50 delar)
- 1 bruksanvisning

Tekniska data

Modell PFBS 12 A1:

Nominell spänning:	12 V \equiv (likström)
Nominellt	
tomgångsvarvtal:	n 5000 - 25 000 min ⁻¹
Max. \emptyset för skivor:	25 mm

Borrchuckens spännområde:

 max. \emptyset 3,2 mm

Batteripaket PFBS 12 A1-1:

INGÅNG/Input:


Nominell spänning:	12 V \equiv (likström)
Kapacitet:	1300 mAh
Typ:	LITIJON

Laddare PFBS 12 A1-2:

Primär (ingång/input):

Nominell spänning:	100-240 V~, 50-60 Hz (växelström)
Nominell strömförbrukning:	0,3 A

Sekundär (utgång/output):

Nominell spänning:	14,5 V \equiv (likström)
Nominell strömstyrka:	450 mA
Laddningstid:	ca 3 timmar
Skyddsklass:	II/  (dubbel isolering)

Bulleremissionsvärde:

Mätvärde för bullernivå har beräknats enligt EN 60745. Den A-viktade bullernivå som uppmätts för elverktyget uppgår i typiska fall till:

Ljudtrycksnivå: $L_{pA} = 60,5 \text{ dB (A)}$

Osäkerhetsfaktor: $K_{pA} = 3 \text{ dB}$

Ljudeffektnivå: $L_{WA} = 71,5 \text{ dB (A)}$

Osäkerhetsfaktor: $K_{WA} = 3 \text{ dB}$

Använd hörselskydd!

Vibrationsvärde totalt:

$a_h = 1,07 \text{ m/s}^2$

Osäkerhetsfaktor K: $1,5 \text{ m/s}^2$

OBSERVERA

- I denna anvisning har den angivna vibrationsnivån mätts med standardmätning och kan användas vid en produktjämförelse. Det vibrationsvärde som anges kan även användas för att inledningsvis uppskatta exponeringen.

⚠ VARNING!

- Vibrationsnivån kan förändras beroende på hur elverktyget används och kan i vissa fall ligga över de värden som anges i bruksanvisningen. Vibrationsexponeringen kan komma att underskattas om elverktyget regelbundet används på vissa sätt. Försök att hålla belastning av vibrationer på en så låg nivå som möjligt. Exempel på åtgärder för att minska belastning av vibrationer är att använda skyddshandskar när man arbetar med verktyget samt att begränsa arbetstiden. Alla delar av driftcykeln ska räknas in (exempelvis den tid då elverktyget är avstängt och den tid då det visserligen är påslaget men inte belastas).

Allmän säkerhetsinformation för elverktyg



⚠ VARNING!

- Läs igenom all säkerhetsinformation och alla anvisningar. Om anvisningarna inte följs kan det leda till elchock, brand och/eller svåra personskador.

Spara all säkerhetsinformation och alla anvisningar för framtida bruk.

Begreppet "elverktyg" som används i säkerhetsinformationen syftar på elverktyg med strömkabel och batteridrivna elverktyg (utan kabel).

1. Säkerhet på arbetsplatsen

- Håll alltid arbetsplatsen ren och sörj för god belysning. Oordning och dålig belysning på arbetsplatsen kan leda till olyckor.
- Använd inte elverktyget där det finns risk för explosion eller där det finns brännbara vätskor, gaser eller damm. Elverktyg ger upphov till gnistor som kan antända damm eller ångor.
- Håll barn och andra personer på avstånd när du arbetar med elverktyg. Om du förlorar uppmärksamheten kan du också förlora kontrollen över verktyget.

2. Elsäkerhet

- Elverktygets anslutningskontakt måste passa precis i uttaget. Kontakten får inte förändras på något sätt. Använd inga adapterkontakter tillsammans med skyddsjordade elverktyg. Intakta kontakter som passar precis i uttaget minskar risken för elchocker.
- Undvik kroppskontakt med jordade ytor, t ex rör, värmelement, spisar och kylskåp. Risken för elchocker ökar om din kropp är jordad.
- Håll elverktyg på avstånd från regn och fukt. Om det tränger in vatten i ett elverktyg ökar risken för elchocker.

- d) Använd inte kabeln till något den inte är avsedd för, bär eller häng inte produkten i kabeln och dra inte i kabeln när du ska dra ut kontakten ur uttaget. Håll kabeln på avstånd från hetta, olja, vassa kanter och rörliga delar. Skadade och trassliga kablar och kontakter ökar risken för elchocker.
- e) Om du arbetar utomhus med ett elverktyg får du endast använda en förlängningskabel som är godkänd för utomhusbruk. Risken för elchocker minskar när man använder en förlängningskabel som är godkänd för utomhusbruk.
- f) Om du måste arbeta med elverktyget i fuktig miljö ska du använda en jordfelsbrytare. Risken för elchocker minskar när man använder jordfelsbrytare.

3. Personssäkerhet

- a) Förlora aldrig uppmärksamheten på din arbetsuppgift och använd sunt förnuft när du arbetar med elverktyg. Använd aldrig ett elverktyg om du är trött eller om du är påverkad av alkohol, droger eller mediciner. Ett ögonblicks bristande uppmärksamhet när du använder elverktyget kan leda till allvarliga skador.
- b)  Använd personlig skyddsutrustning och ta alltid på dig skyddsglasögon. Personlig skyddsutrustning som dammskyddsmask, halkfria skor, skyddshandskar, skyddshjälm eller hörselskydd, beroende på vilket arbete som utförs, minskar risken för skador.
- c) Undvik att starta produkten av misstag. Försäkra dig om att elverktyget är avstängt innan du ansluter det till strömförsörjningen och/eller batteriet, lyfter upp eller bär det. Om du håller fingret på PÅ/AV-knappen när du bär elverktyget eller om det redan är påkopplat när du ansluter det till ett eluttag kan det lätt hända en olycka.

- d) Ta bort inställningsverktyg och skruvnycklar innan du kopplar på elverktyget. Om ett verktyg befinner sig i en rörlig del kan det hända en olycka.
- e) Undvik onormala kroppsställningar. Se till så att du står stadigt och inte kan tappa balansen. Då kan du lättare kontrollera elverktyget, särskilt i oväntade situationer.
- f) Använd lämpliga kläder. Använd inte vida klädesplagg eller smycken. Håll hår, klädesplagg och handskar på avstånd från rörliga delar. Löst sittande kläder, smycken eller långt hår kan fastna i rörliga delar.
- g) Om det går att montera dammsug och dammuppsamlingsanordningar ska du försäkra dig om att de är anslutna och används på rätt sätt. Genom att använda ett dammsug kan risker orsakade av damm minskas.

4. Användning och hantering av elverktyget

- a) Överbelasta inte elverktyget. Använd alltid rätt sorts elverktyg till det arbete som ska utföras. Med rätt verktyg arbetar du lättare och säkrare inom det angivna effektområdet.
- b) Använd inte elverktyg med trasiga brytare. Ett verktyg som inte längre går att sätta på och stänga av är farligt och måste repareras.
- c) Dra alltid ut kontakten ur uttaget och/eller ta bort batteriet innan du gör några inställningar, byter delar eller sätter undan produkten. Det är en försiktighetsåtgärd för att förhindra att elverktyget sätts på av misstag.
- d) Förvara elverktyg utom räckhåll för barn. Låt inte personer som inte är insatta i hur produkten används eller som inte har läst igenom dessa anvisningar använda den. Elverktyg utgör en fara för oerfarna personer.
- e) Sköt om dina elverktyg noga. Kontrollera att rörliga delar fungerar som de ska och inte är fastklämda. Kontrollera även om delar gått av eller skadats så att det påverkar elverktygets funktion. Lämnna in skadade delar för reparation innan du använder produkten igen. Många olyckor har sin orsak i dåligt underhållna elverktyg.

- f) Håll alltid skärande verktyg rena och vassa. Noggrant skötta verktyg med skarpa eggar kläms inte fast så lätt och är enklare att styra.
- g) Använd elverktyg, tillbehör, insatsverktyg mm enligt denna bruksanvisning. Ta hänsyn till arbetsförhållandena och det arbete som ska utföras. Om elverktyg används på andra sätt än de föreskrivna kan det uppstå farliga situationer.

5. Användning och hantering av det batteridrivna elverktyget

- a) Ladda endast batterier i laddare som rekommenderas av tillverkaren. En laddare som konstruerats speciellt till en viss typ av batterier kan orsaka eldsvåda om man försöker ladda andra typer av batterier i den.
- b) Använd bara den typ av batterier som anges för ett elektriskt verktyg. Om man använder andra typer av batterier kan det leda till olyckor och eldsvådor.
- c) Håll batterier som inte används på avstånd från gem, mynt, nycklar, spik, skruvar och andra små metallföremål som kan överbrygga kontaktarna. En kortslutning mellan batteriets kontakter kan leda till brännskador eller eldsvåda.
- d) Vid felaktig användning kan vätska tränga ut ur batteriet. Undvik kontakt med denna vätska. Vid kortvarig kontakt ska du spola med vatten. Om vätskan skulle råka komma in i ögonen ska man även uppsöka läkare. Batterivätska som trängt ut kan leda till hudirritationer och brännskador.



VAR FÖRSIKTIG! EXPLOSIONSRISK!
Ladda aldrig upp batterier som inte är uppladdningsbara.



Skydda batteriet från värme, även från t ex långvarigt solljus, samt från eld, vatten och fukt. Annars finns risk för explosion.



6. Service

- a) Låt endast kvalificerade yrkesmän reparera eller byta ut delar på elverktyget. Endast originaldelar ska användas. Då kan du känna dig säker på att elverktyget är lika säkert att använda som tidigare.

Säkerhetsanvisningar för alla användningsätt

Gemensamma säkerhetsanvisningar för att slipa, sandpappra, stålborsta, polera, fräsa och kapslipa:

- a) Det här elverktyget ska användas som slipmaskin, sandpaperslip, stålborste, polerverktyg, fräs och kapslip. Observera alla säkerhetsanvisningar, instruktioner, bilder och data som följer med produkten. Om nedanstående anvisningar inte följs kan resultatet bli elchocker, eldsvåda och/eller svåra personskador.
- b) Använd aldrig några andra tillbehör än de som är avsedda speciellt för det här verktyget och som rekommenderas av tillverkaren. Bara för att ett tillbehör går att fästa på elverktyget är det ingen garanti för att det är säkert att använda.
- c) Det tillbehör som används måste tillåta ett varvtal som är minst lika högt som det högsta tillåtna varvtal som anges på elverktyget. Tillbehör som snurrar fortare än vad som är tillåtet kan gå sönder och bitarna slungas iväg.
- d) Tillbehörets ytterdiameter och tjocklek måste motsvara elverktygets mått. Tillbehör med fel mått kan inte skämmas av eller kontrolleras tillräckligt bra.

- e) Slipskivor, slipvalsar och andra tillbehör måste passa exakt till elverktygets slipspindel eller spännstång. Tillbehör som inte passar exakt i elverktygets fäste roterar ojämnt, vibrerar kraftigt och kan leda till att man förlorar kontrollen.
- f) Skivor, slipcylindrar, skärande verktyg och andra tillbehör som monterats på ett dorn måste sättas in helt i spännstången eller spännchucken. Den utskjutande delen resp. den synliga delen av dornet mellan tillbehöret och spännstången eller -chucken måste vara minimal. Om dornet inte är tillräckligt spänt eller tillbehöret hamnar för långt fram kan insatsverktyget lossna och slungas iväg med hög hastighet.
- g) Använd inga skadade insatsverktyg. Kontrollera alltid om slipskivor har splittrats eller spruckit, om det finns sprickor, slitage eller kraftig nötning på slipvalsarna och om det finns lösa eller avbrutna spröt på stålborstarna innan du använder dem. Om elverktyget eller tillbehöret faller i golvet ska du kontrollera om det skadats eller använda ett annat, oskadat tillbehör. När insatsverktyget kontrollerats och satts fast ska du och andra personer i närheten hålla er borta från området kring det roterande verktyget och låta produkten arbeta på det högsta varvtalet i en minut. Skadade tillbehör går oftast sönder under det här testet.
- h) Använd personlig skyddsutrustning. Beroende på användningssättet ska du ta på dig ett heltäckande ansiktsskydd, ögonskydd eller skyddsglasögon. I den mån det behövs ska du använda dammskyddsmask, hörselskydd, skyddshandskar eller speciella skyddsförkläden som skyddar mot små slip- och materialpartiklar. Ögonen måste skyddas mot kringflygande föremål som uppstår vid olika användningssätt. Damm- och andningsskyddsmasker måste kunna filtrera det damm som uppstår när man arbetar. Den som utsätts för höga ljud under lång tid kan få hörselskador.
- i) Se till så att andra personer befinner sig på säkert avstånd från arbetsområdet. Alla som går in i arbetsområdet måste använda personlig skyddsutrustning. Bitar som lossnat från arbetsstycket eller avbrutna tillbehör kan slungas iväg och orsaka skador även utanför arbetsområdet.
- j) Håll i produktens isolerade greppytor om du riskerar att komma åt en dold strömförande ledning eller produktens egen strömkabel när du arbetar. Kontakt med en spänningsförande ledning kan göra metalldelar på elverktyget spänningsförande och leda till elchocker.
- k) Håll elverktyget i ett stadigt grepp när du startar det. När elverktyget går upp till maximalt varvtal kan motorns reaktionsmoment göra så att verktyget vrids.
- l) Använd tvingar för att fixera arbetsstycket om det går. Håll aldrig ett litet arbetsstycke i ena handen och elverktyget i den andra när du arbetar. Om du spänner fast små arbetsstycken har du bägge händerna fria och kan kontrollera elverktyget bättre. När man kapar runda arbetsstycken som träplugg, stänger eller rör vill de gärna rulla iväg så att insatsverktyget kläms fast och kan slungas emot dig.
- m) Håll strömkabeln borta från roterande tillbehör. Om du förlorar kontrollen över produkten kan strömkabeln skäras av eller fastna och din hand eller arm komma i kontakt med det roterande tillbehöret.
- n) Lägg aldrig ifrån dig elverktyget förrän tillbehöret står helt stilla. Det roterande tillbehöret kan komma i kontakt med underlaget så att du förlorar kontrollen över elverktyget.
- o) Dra åt spännstångens mutter, spännchucken eller andra fästnanordningar ordentligt när du bytt tillbehör eller gjort inställningar på produkten. Lösa fästnanordningar kan plötsligt ändra läge och få dig att förlora kontrollen; roterande delar som inte är fästa slungas ut med stor kraft.
- p) Låt inte elverktyget vara igång när du bär det. Det roterande tillbehöret kan råka fastna i kläderna och borra sig in i din kropp.
- q) Rengör elverktygets ventilationsöppningar regelbundet. Motorns fläkt suger in damm i höljet och kan orsaka elektriska faror om det samlas mycket metalldamm.
- r) Använd inte elverktyget i närheten av brännbart material. Gnistorna kan göra så att materialet börjar brinna.
- s) Använd inga tillbehör som måste kylas med flytande medel. Vatten och andra flytande kylmedel kan orsaka elchocker.

Fler säkerhetsanvisningar för alla användningssätt

Kast och säkerhetsanvisningar för kast

Kast kallas den plötsliga reaktion som uppstår när ett roterande tillbehör som t ex slipskivor, slipband, stålborstar osv. hakas fast eller blockeras så att det roterande insatsverktyget stannar abrupt. Då slungas elverktyget okontrollerat mot tillbehörets rotationsriktning.

Om t ex en slipskiva hakar fast eller blockeras i arbetsstycket kan den kant av slipskivan som befinner sig i arbetsstycket fastna så att slipskivan viker av åt sidan eller orsakar ett kast. Beroende på slipskivans rotationsriktning vid stoppet kan den då röra sig mot eller bort från användaren. I så fall kan slipskivan även brytas av.

Ett kast beror på att elverktyget använts på fel sätt. Det kan förhindras med följande försiktighetsåtgärder.

- a) Håll fast elverktyget ordentligt och håll armar och kropp i en position där du kan fånga upp kraften från ett kast. Med lämpliga försiktighetsåtgärder kan användaren behärska kraften från ett kast.
- b) **Var extra försiktig när du arbetar vid hörn, vassa kanter osv. Akta så att tillbehöret inte studsar tillbaka från arbetsstycket och kommer i kläm.** Det roterande tillbehöret har en tendens att klämmas fast vid hörn, vassa kanter och när det studsar tillbaka. Då kan man förlora kontrollen eller får ett kast.
- c) **Använd inga tandade sågklingor.** Sådana tillbehör orsakar ofta kast som gör att man förlorar kontrollen över elverktyget.
- d) **För alltid tillbehöret in i materialet i samma riktning som spånen sprutar ut.** Om elverktyget förs åt fel håll viker tillbehörets egg av åt sidan från arbetsstycket och elverktyget dras med i samma riktning.
- e) **Spänn alltid fast arbetsstycket när du använder roterande filar, kapskivor, höghastighetsfräsar eller hårdmetallfräsar.** Sådana tillbehör kan fastna och orsaka kast bara man råkar föra dem lite snett i spåret. Om en kapskiva fastnar brukar den brytas. Om roterande filar, höghastighetsfräsar och hårdmetallfräsar fastnar kan de stötas upp ur spåret och göra så att du förlorar kontrollen över elverktyget.

Ytterligare säkerhetsanvisningar för slipning och kapslipning

Särskilda säkerhetsanvisningar för slipning och kapslipning:

- a) Använd endast sliptillbehör som är godkända för elverktyget och bara på de sätt som rekommenderas. Exempel: Slipa aldrig med sidan av en kapskiva. Kanten på kapskivor ska användas för att nöta ner material. Om man utsätter en kapskiva för kraft från sidan kan den brytas.
- b) Använd bara oskadda dorn med rätt storlek och längd utan underskärning till koniska och raka slipstift med gängor. Lämpliga dorn minskar risken för brott.
- c) Undvik att blockera kapskivan eller utsätta den för alltför högt tryck. Gör inte alltför djupa snitt. Om kapskivan överbelastas ökar påfrestningen och tendensen att dra snett eller blockeras och därmed också risken för kast eller att skivan går av.
- d) Stick inte in handen i området framför och bakom den roterande kapskivan. Om du för kapskivan från handen och får ett kast kan elverktyget med den roterande skivan slungas tillbaka rakt mot dig.
- e) Om kapskivan kläms fast eller om du vill avbryta arbetet stänger du av produkten och håller kvar den i arbetsstycket tills skivan stannat. Försök aldrig dra ut en kapskiva som fortfarande snurrar ur arbetsstycket, det kan orsaka ett kast. Ta reda på och åtgärda orsaken till att skivan klämdes fast.
- f) Sätt inte på elverktyget igen så länge det sitter kvar i arbetsstycket. Låt kapskivan först komma upp i fullt varvtal innan du försiktigt fortsätter arbeta. Annars kan skivan haka fast, stötas ut ur arbetsstycket eller orsaka ett kast.

- g) Stötta upp stora plattor och arbetsstycken för att minska risken för kast på grund av en fastklämd kapskiva. Stora arbetsstycken kan böjas av sin egen vikt. Arbetsstycket måste stötts på båda sidor av skivan, både nära snittet och i kanten.
- h) Var extra försiktig när du gör insnitt i befintliga väggar och andra områden där sikten är skyddad. När kapskivan går in kan det uppstå kast om den träffar gas-, vatten- eller elledning- ar och andra föremål.

Ytterligare säkerhetsanvisningar för arbete med stålborstar

Särskilda säkerhetsanvisningar för arbete med stålborstar:

- a) Tänk på att stålborstar tappar spröt även när de används på normalt sätt. Överbelasta inte borsten genom att trycka för hårt. Bitar av stålspöt som slungas iväg kan lätt tränga igenom tunna kläder och/eller huden.
- b) Låt borstarna vara igång minst en minut på högsta hastighet innan du börjar arbeta. Akta så att inga personer står framför eller i linje med borsten under tiden. Lös borstspöt kan lossna under uppstarten.
- c) Rikta den roterande stålborsten från dig. När man arbetar med den här typen av borstar kan små partiklar och mycket små bitar av borstspöt slungas iväg med hög hastighet och tränga igenom huden.

Säkerhetsanvisningar för laddare

- Den här produkten kan användas av barn som är minst 8 år och av personer med begränsad fysisk, sensorisk eller mental förmåga eller bristande erfarenhet och/eller kunskap om de hålls under uppsikt eller har instruerats i hur produkten används på ett säkert sätt och inser vilka risker det innebär. Barn får inte leka med produkten. Rengöring och allmän service får bara göras av barn om någon vuxen håller uppsikt.
- Om nätanslutningsledningen skadas på den här produkten måste den bytas ut av tillverkaren, tillverkarens kundtjänst eller någon annan person med liknande kvalifikationer för att undvika olyckor.



Den här laddaren är endast avsedd för inomhusbruk.

⚠ VARNING!

- Använd inte produkten om kabeln, strömkabeln eller kontakten skadats. En skadad strömkabel innebär risk för livsfarliga elchocker.

Användning

- Använd bara produkten till det den är avsedd för och bara med originaldelar och originaltillbehör. Om du använder andra typer av tillbehör eller delar än de som rekommenderas i bruksanvisningen utsätter du dig själv för risk.

Ladda batteripaket

OBSERVERA

- Ett nytt eller länge oanvänt batteripaket måste laddas upp innan det tas i bruk eller används igen. Batteripaketet kommer upp i full kapacitet efter 3-5 laddningscykler. En laddning tar ca 180 minuter.

⚠ VAR FÖRSIKTIG! RISK FÖR PERSONSKADOR!

- Dra alltid ut kontakten innan du tar ut eller sätter in batteripaketet i laddaren.
- ◆ Sätt batteripaketet **4** i laddskålen **8**. Det går bara att sätta in det med polerna åt rätt håll.
- ◆ Sätt nätdelen **9** i ett eluttag.
- ◆ Den röda laddningslampan **10** lyser så länge batteriet laddas. När laddningen är färdig slocknar den röda laddningslampan **10** och den gröna laddningslampan **10a** börjar lysa istället. Batteripaketet **4** är nu klart att användas.

⚠ VAR FÖRSIKTIG!

- Ladda aldrig upp ett batteripaket igen direkt efter en tidigare laddning. Då kan batteripaketet överladdas.

Sätta in/Ta ut batteripaketet

Sätta in batteripaketet:

- ◆ Flytta PÅ/AV-knappen **1** till läge OFF.
- ◆ Stoppa in batteripaketet **4** i produkten så att det låser fast.

Ta ut batteripaketet:

- ◆ Tryck på batteriets upplåsningsknappar **3** på sidan och ta ut batteripaketet **4**.

Kontrollera batteriets laddningsnivå

Batteriets laddningsstatus resp. restkapacitet visas av batterilampa 2 på följande sätt:

RÖD/ORANGE/GRÖN = maximal laddningsnivå
RÖD/ORANGE = medelhög laddningsnivå
RÖD = låg laddningsnivå – ladda batteriet

Sätta på/Byta verktyg/spännstång

- ◆ Håll spindelarreteringen **7** intryckt.
- ◆ Vrid på spännmuttern **5** tills arreteringen låser fast.
- ◆ Lossa spännmuttern **5** från gängan med kombinyckeln **22**.
- ◆ Ta ev. bort ett monterat verktyg.
- ◆ För först det verktyg du ska ha genom spännmuttern **5** innan du sticker in det i den spännstång **17** som passar till verktygets skaft.
- ◆ Håll spindelarreteringen **7** intryckt.
- ◆ Stick in spännstången **17** i gänginsatsen och skruva sedan fast spännmuttern **5** på gängan med kombinyckeln **22**.

OBSERVERA

- ▶ Använd kombinyckeln **22** skruvmejselsida för att lossa och dra åt spännornens **12** skruvar.

Sätta på och stänga av/Ställa in varvtalsområde

Sätta på/Ställa in varvtalsområde:

- ◆ Sätt På/Av-knappen med varvtalsreglaget **1** på ett läge mellan 1 och MAX.

Sätta av:

- ◆ Sätt På/Av-knappen med varvtalsreglaget **1** på läge OFF.

Information om materialbearbetning/verktyg/varvtalsområde

- Använd fräsbits **19** för att arbeta i stål och järn på högsta varvtal.
- Ta reda på vilka varvtal som passar för zink, zinklegeringar, aluminium, koppar och bly genom praktiska försök på provbitar.
- Plast och material med låg smältpunkt ska bearbetas på lågt varvtal.
- Trä ska bearbetas på högt varvtal.
- Rengöring, polering och finputsning görs med medelhöga varvtal.

Följande angivelser är rekommendationer som inte är bindande. Testa själv med praktiska försök vilket verktyg och vilka inställningar som passar bäst till de material som ska bearbetas.

Ställa in rätt varvtal:

Siffror på varvtalsreglaget ①	Material som ska bearbetas		
1-3	Plast och material med låg smältpunkt	6	Hårt trä
4-5	Sten, keramik	Max	Stål
5	Mjukt trä, metall		

Exempel på användning/Välja lämpliga verktyg:

Funktion	Tillbehör	Användning	Utskjutande del (min-max) mm
Borr	HSS-borr ⑪	Bearbeta trä	18 - 25 den minsta borrarren sticker ut 10 mm
Fräsa	Fräsbits ⑰	Många användnings-sätt, t ex bukta ut, gröpa ur, forma, göra spår eller skåror	18-25
Gravera	Graveringsbits ⑳	Märkning, hobbyarbeten	18-25
Polera, slipa rost VAR FÖRSIKTIG! Tryck bara verktyget lätt mot arbetsstycket.	Metallborste ⑮	Slipa rost	9-15
	Poleringskivor ⑬	Bearbeta olika metaller och plastmaterial, särskilt ädelmetall som guld och silver	12-18
Rengöra	Plastborstar ⑱	Rengöra t ex svåråtkomliga plasthöljen eller området kring dörrlås	9-15
Slipa	Slipskivor ⑭	Slipa sten, trä, precisionsarbeten på hårda material som t ex keramik eller legerat stål	12-18
	Slipbits ㉑		10
Kapa	Kapskivor ⑯ metall	Bearbeta metall, plast och trä	12-18

- Observera att den maximala diametern på 55 mm för sammansatta slipkroppar, slipkoner och slipstift med gänginsats inte får överskridas. Den maximala diametern på 80 mm för sandpapperstillbehör får inte heller överskridas.

OBSERVERA

- ▶ Den maximalt tillåtna längden för spändorn är 33 mm.
- Förvara tillbehören i originalförpackningen eller skydda dem från skador på annat sätt.
- Förvara tillbehören på ett torrt ställe och inte i närheten av aggressiva material.

Tips och knep

- Om du trycker för hårt kan det fastspända verktyget brytas sönder och/eller arbetsstycket skadas. Du får bäst resultat om du arbetar på samma varvtal och bara trycker verktyget lätt mot arbetsstycket.
- Håll alltid produkten i ett stadigt grepp med båda händerna när du kapar.
- Observera uppgifterna och informationen i tabellen för att undvika att änden av spindeln vidrör slipverktygets perforerade underdel.

Underhåll och rengöring

Produkten är underhållsfri.

- Ta bort all smuts från produkten. Använd en torr trasa.
- Ladda alltid upp batteripaketet ④ fullständigt innan det ska stå eller när det har stått oanvänt en längre tid.
- Om ett litiumjonbatteri ska lagras under en längre tid måste laddningsnivån kontrolleras med jämna mellanrum. Den optimala laddningsnivån ligger mellan 50% och 80%. Det optimala förvaringsklimatet är svalt och torrt.

⚠ VARNING!

- Låt servicestället eller en behörig elektriker reparera produkten. Endast reservdelar i original får användas. Då kan du känna dig säker på att den är lika säker att använda som tidigare.

⚠ VARNING!

- Låt alltid tillverkaren eller dennes kundtjänst byta ut kontakten eller strömkabeln om det behövs. Då kan du känna dig säker på att produkten är lika säker att använda som tidigare.

OBSERVERA

- ▶ Reservdelar som inte listats (t ex batterier och laddare) kan beställas via vår serviceenhet.

Kassering



Förpackningen består av miljövänligt material som kan lämnas in till den lokala återvinningen.



Kasta aldrig elverktyg i de vanliga hushållssoporna!

Enligt EU-direktiv 2012/19/EU måste uttjänta elverktyg tas isär och de olika delarna lämnas in separat till rätt typ av miljövänlig återvinning.



Kasta aldrig batterier i hushållssoporna!

⚠ VARNING!

- Ta ut batteriet innan du kasserar produkten!

Defekta eller uttjänta uppladdningsbara batterier ska återvinnas enligt direktiv 2006/66/EC. Lämnas in batteripaketet och/eller produkten till rätt typ av återvinning.

Fråga på din kommun eller stadsdelsförvaltning om möjligheterna att kassera uttjänta elektriska apparater på ett miljövänligt sätt.

Garanti från Kompernass Handels GmbH

Kära kund

För den här produkten lämnar vi 3 års garanti från och med inköpsdatum. Om det skulle vara något fel på produkten finns en lagstadgad reklamationsrätt från återförsäljaren. Dina lagstadgade rättigheter begränsas inte av den garanti som beskrivs i följande avsnitt.

Garantivillkor

Garantitiden börjar vid inköpsdatum. Ta väl vara på originalkvittot. Kassakvittot är ditt köpbevis.

Om ett material- eller fabriktionsfel uppstår på produkten inom tre år från inköpsdatum kommer vi, beroende på vad vi anser lämpligast, att reparera eller byta ut den gratis. En förutsättning för att utnyttja garantin är att den defekta produkten och

köpbeviset (kassakvittot) uppvisas inom den treåriga garantitiden tillsammans med en kort beskrivning av felet och när det uppstod.

Om felet täcks av vår garanti kommer du att få tillbaka en reparerad eller en ny produkt. Garantitiden börjar inte om från början för en reparerad eller ny produkt.

Garantitid och lagstadgad ersättningsrätt

Garantitiden förlängs inte för att man utnyttjat garantin. Det gäller även för utbytta och reparerade delar. Eventuella skador och brister som existerar redan vid köpet måste rapporteras så snart produkten packats upp. När garantitiden är slut måste man själv betala för eventuella reparationer.

Garantins omfattning

Produkten har tillverkats med omsorg enligt stränga kvalitetskriterier och testats nog före leveransen.

Garantin gäller bara för material- eller fabriktionsfel. Garantin täcker inte delar av produkten som utsätts för normalt slitage och därför betraktas som förslitningsdelar och inte heller skador på ömtåliga delar som t ex knappar, batterier, bakformar eller delar av glas.

Garantin upphör att gälla om produkten skadas eller används och servas på fel sätt. Alla anvisningar i bruksanvisningen måste följas exakt för att produkten ska kunna användas på rätt sätt. Produkten får aldrig användas i andra syften eller hanteras på ett sätt som man avråder från eller varnar för i bruksanvisningen.

Produkten är endast avsedd för privat bruk och ska inte användas yrkesmässigt.

Garantin gäller inte vid missbruk och felaktig behandling, användande av våld och vid ingrepp som inte gjorts av vår auktoriserade servicefilial.

Behandling av garantiärenden

För att snabbt kunna behandla ditt ärende ber vi dig följa nedanstående anvisningar:

- Ha alltid kassakvittot och artikelnumret (t ex IAN 12345) i beredskap vid alla förfrågningar.
- Artikelnumret finns på typskylten, graverat på produkten, på bruksanvisningens titelblad (nere till vänster) eller på ett klistermärke på produktens bak- eller undersida.

- Vid funktionsfel eller andra defekter ber vi dig att först kontakta den serviceavdelning som anges nedan **på telefon** eller **med e-post**.
- En produkt som klassas som defekt kan tillsammans med köpbeviset (kassakvittot) och en beskrivning av felet samt när det uppstod skickas in portofritt till den angivna serviceadressen.



Dessa och många andra handböcker, produktfilmer och mjukvaror kan laddas ned på www.lidl.service.com.

Service

SE Service Sverige
Tel.: 0770 930739
E-Mail: kompernass@lidl.se

FI Service Suomi
Tel.: 010309 3582
E-Mail: kompernass@lidl.fi

IAN 279872

Importör

Observera att följande adress inte är någon service-adress. Kontakta först det serviceställe som anges.

KOMPERNASS HANDELS GMBH
BURGSTRASSE 21
44867 BOCHUM
GERMANY
www.kompernass.com

Översättning av originalversionen av försäkran om överensstämmelse

Företaget KOMPERNASS HANDELS GMBH, dokumentansvarig: Herr Semi Uguzlu, BURGSTR. 21, 44867 BOCHUM, TYSKLAND intygar härmed att denna produkt överensstämmer med följande standarder, normerande dokument och EG-direktiv:

**Maskindirektiv
(2006 / 42 / EC)**

**Lågspänningsdirektiv
(2014 / 35 / EU)**

**Direktivet för elektromagnetisk
kompatibilitet (EMC-direktiv)
(2014 / 30 / EU)**

**RoHS-direktiv
(2011 / 65 / EU)**

Tillämpade harmoniserande normer:

EN 60745-1:2009/A11:2010
EN 60745-2-23:2013
EN 55014-1:2006/A2:2011
EN 55014-2:2015
EN 60335-1:2012/A11:2014
EN 60335-2-29:2004/A2:2010
EN 61000-3-2:2014
EN 61000-3-3:2013
EN 62233:2008

Maskinens typbeteckning:

Finborrslip PFBS 12 A1

Tillverkningsår: 07-2016

Serienummer: IAN 279872

Bochum, 08.06.2016

Semi Uguzlu

- Kvalitetsansvarig -

Med reservation för ändringar på grund av den tekniska utvecklingen.



Inhaltsverzeichnis

Einleitung	46
Bestimmungsgemäßer Gebrauch	46
Ausstattung	46
Lieferumfang	46
Technische Daten	46
Allgemeine Sicherheitshinweise für Elektrowerkzeuge	47
1. Arbeitsplatz-Sicherheit	47
2. Elektrische Sicherheit	47
3. Sicherheit von Personen	48
4. Verwendung und Behandlung des Elektrowerkzeugs	48
5. Verwendung und Behandlung des Akkuwerkzeugs	49
6. Service	49
Sicherheitshinweise für alle Anwendungen	49
Weitere Sicherheitshinweise für alle Anwendungen	51
Zusätzliche Sicherheitshinweise zum Schleifen und Trennschleifen	52
Zusätzliche Sicherheitshinweise zum Arbeiten mit Drahtbürsten	52
Sicherheitshinweise für Ladegeräte	53
Bedienung	53
Akku-Pack laden	53
Akku-Pack ins Gerät einsetzen / entnehmen	54
Akkuzustand ablesen	54
Werkzeug / Spannzange einsetzen / wechseln	54
Ein- und ausschalten / Drehzahlbereich einstellen	54
Hinweise zu Materialbearbeitung / Werkzeug / Drehzahlbereich	54
Tips und Tricks	56
Wartung und Reinigung	56
Entsorgung	57
Garantie der Kompernaß Handels GmbH	57
Service	58
Importeur	58
Original-Konformitätserklärung	59

AKKU-FEINBOHRSCHLEIFER PFBS 12 A1

Einleitung

Wir beglückwünschen Sie zum Kauf Ihres neuen Gerätes. Sie haben sich damit für ein hochwertiges Produkt entschieden. Die Bedienungsanleitung ist Teil dieses Produkts. Sie enthält wichtige Hinweise für Sicherheit, Gebrauch und Entsorgung. Machen Sie sich vor der Benutzung des Produkts mit allen Bedien- und Sicherheitshinweisen vertraut. Benutzen Sie das Produkt nur wie beschrieben und für die angegebenen Einsatzbereiche. Händigen Sie alle Unterlagen bei Weitergabe des Produkts an Dritte mit aus.

Bestimmungsgemäßer Gebrauch

Der Akku-Feinbohrschleifer ist mit entsprechendem Zubehör (wie mitgeliefert) zum Bohren, Fräsen, Gravieren, Polieren, Säubern, Schleifen, Trennen von Werkstoffen wie Holz, Metall, Kunststoff, Keramik oder Gestein in trockenen Räumen zu verwenden. Jede andere Verwendung oder Veränderung des Gerätes gilt als nicht bestimmungsgemäß und birgt erhebliche Unfallgefahren. Für aus bestimmungswidriger Verwendung entstandene Schäden übernimmt der Hersteller keine Haftung. Nicht für gewerblichen Einsatz bestimmt.

Ausstattung

Akku-Feinbohrschleifer:

- ❶ Ein- / Aus -Schalter / Drehzahlregulierung
- ❷ Akku-LED
- ❸ Akku-Entriegelungstaste
- ❹ Akku-Pack
- ❺ Spannmutter
- ❻ Überwurfmutter
- ❼ Spindelarretierung

Akkuladeeinrichtung (siehe Abb. A):

- ❽ Ladeschale
- ❾ Netzteil
- ❿ Ladezustandsanzeige rot
- 10a Ladezustandsanzeige grün

Zubehör (siehe Abb. B):

- ❶ 6 HSS-Bohrer
- ❷ 2 Spanndorne zur Werkzeugaufnahme
- ❸ 3 Polierscheiben
- ❹ 4 Schleifscheiben
- ❺ 1 Metallbürste
- ❻ 16 Trennscheiben
- ❼ 5 Spannzangen
- ❽ 2 Kunststoffbürsten
- ❾ 3 Fräsbits
- ❿ 2 Gravierbits
- ⓫ 5 Schleifbits
- ⓬ 1 Kombischlüssel

Lieferumfang

- 1 Akku-Feinbohrschleifer
- 1 Ladeschale mit Netzteil
- 1 Zubehör-Set (50 Teile)
- 1 Bedienungsanleitung

Technische Daten

Modell PFBS 12 A1:

- Bemessungsspannung: 12 V --- (Gleichstrom)
Bemessungs-
Leerlaufdrehzahl: n 5000-25000 min⁻¹
Max. Scheiben ø: 25 mm

Bohrfutter-
spannbereich:  max. ø 3,2 mm

Akku-Pack PFBS 12 A1-1:

EINGANG / Input:

- Bemessungsspannung: 12 V --- (Gleichstrom)
Kapazität: 1300 mAh
Typ: LITHIUM-ION

Ladegerät PFBS 12 A1-2:

Primär (Eingang / Input):

- Bemessungsspannung: 100-240 V~, 50-60 Hz
(Wechselstrom)
Bemessungsaufnahme: 0,3 A

Sekundär (Ausgang / Output):

- Bemessungsspannung: 14,5 V --- (Gleichstrom)
Bemessungsstrom: 450 mA
Ladedauer: ca. 3 Stunden
Schutzklasse: II/Ⓜ (Doppelisolierung)

Geräuschemissionswert:

Messwert für Geräusch ermittelt entsprechend EN 60745. Der A-bewertete Geräuschpegel des Elektrowerkzeugs beträgt typischerweise:

- Schalldruckpegel: $L_{pA} = 60,5 \text{ dB (A)}$
- Unsicherheit: $K_{pA} = 3 \text{ dB}$
- Schallleistungspegel: $L_{WA} = 71,5 \text{ dB (A)}$
- Unsicherheit K: $K_{WA} = 3 \text{ dB}$

Gehörschutz tragen!

Schwingungsgesamtwert:

- $a_h = 1,07 \text{ m/s}^2$
- Unsicherheit K: $1,5 \text{ m/s}^2$

HINWEIS

- ▶ Der in diesen Anweisungen angegebene Schwingungspegel ist entsprechend einem genormten Messverfahren gemessen worden und kann für den Gerätevergleich verwendet werden. Der angegebene Schwingungsemissionswert kann auch zu einer einleitenden Einschätzung der Aussetzung verwendet werden.

⚠️ WARNUNG!

- ▶ Der Schwingungspegel wird sich entsprechend dem Einsatz des Elektrowerkzeugs verändern und kann in manchen Fällen über dem in diesen Anweisungen angegebenen Wert liegen. Die Schwingungsbelastung könnte unterschätzt werden, wenn das Elektrowerkzeug regelmäßig in solcher Weise verwendet wird. Versuchen Sie, die Belastung durch Vibrationen so gering wie möglich zu halten. Beispielhafte Maßnahmen zur Verringerung der Vibrationsbelastung sind das Tragen von Handschuhen beim Gebrauch des Werkzeugs und die Begrenzung der Arbeitszeit. Dabei sind alle Anteile des Betriebszyklus zu berücksichtigen (beispielsweise Zeiten, in denen das Elektrowerkzeug abgeschaltet ist, und solche, in denen es zwar eingeschaltet ist, aber ohne Belastung läuft).

Allgemeine Sicherheitshinweise für Elektrowerkzeuge



⚠️ WARNUNG!

- ▶ Lesen Sie alle Sicherheitshinweise und Anweisungen. Versäumnisse bei der Einhaltung der Sicherheitshinweise und Anweisungen können elektrischen Schlag, Brand und/oder schwere Verletzungen verursachen.

Bewahren Sie alle Sicherheitshinweise und Anweisungen für die Zukunft auf.

Der in den Sicherheitshinweisen verwendete Begriff „Elektrowerkzeug“ bezieht sich auf netzbetriebene Elektrowerkzeuge (mit Netzkabel) und auf akkubetriebene Elektrowerkzeuge (ohne Netzkabel).

1. Arbeitsplatz-Sicherheit


- a) Halten Sie Ihren Arbeitsbereich sauber und gut beleuchtet. Unordnung und unbeleuchtete Arbeitsbereiche können zu Unfällen führen.
- b) Arbeiten Sie mit dem Elektrowerkzeug nicht in explosionsgefährdeter Umgebung, in der sich brennbare Flüssigkeiten, Gase oder Stäube befinden. Elektrowerkzeuge erzeugen Funken, die den Staub oder die Dämpfe entzünden können.
- c) Halten Sie Kinder und andere Personen während der Benutzung des Elektrowerkzeugs fern. Bei Ablenkung können Sie die Kontrolle über das Gerät verlieren.

2. Elektrische Sicherheit

- a) Der Anschlussstecker des Elektrowerkzeuges muss in die Steckdose passen. Der Stecker darf in keiner Weise verändert werden. Verwenden Sie keine Adapterstecker gemeinsam mit schutzgeerdeten Elektrowerkzeugen. Unveränderte Stecker und passende Steckdosen verringern das Risiko eines elektrischen Schlages.
- b) Vermeiden Sie Körperkontakt mit geerdeten Oberflächen, wie von Rohren, Heizungen, Herden und Kühlschränken. Es besteht ein erhöhtes Risiko durch elektrischen Schlag, wenn Ihr Körper geerdet ist.

- c) Halten Sie Elektrowerkzeuge von Regen oder Nässe fern. Das Eindringen von Wasser in ein Elektrogerät erhöht das Risiko eines elektrischen Schlages.
- d) Zweckenfremden Sie das Kabel nicht, um das Elektrowerkzeug zu tragen, aufzuhängen oder um den Stecker aus der Steckdose zu ziehen. Halten Sie das Kabel fern von Hitze, Öl, scharfen Kanten oder sich bewegenden Geräteteilen. Beschädigte oder verwickelte Kabel erhöhen das Risiko eines elektrischen Schlages.
- e) Wenn Sie mit einem Elektrowerkzeug im Freien arbeiten, verwenden Sie nur Verlängerungskabel, die auch für den Außenbereich zugelassen sind. Die Anwendung eines für den Außenbereich geeigneten Verlängerungskabels verringert das Risiko eines elektrischen Schlages.
- f) Wenn der Betrieb des Elektrowerkzeuges in feuchter Umgebung nicht vermeidbar ist, verwenden Sie einen Fehlerstromschutzschalter. Der Einsatz eines Fehlerstromschutzschalters vermindert das Risiko eines elektrischen Schlages.

3. Sicherheit von Personen

- a) Seien Sie stets aufmerksam, achten Sie darauf, was Sie tun und gehen Sie mit Vernunft an die Arbeit mit einem Elektrowerkzeug. Benutzen Sie kein Elektrowerkzeug, wenn Sie müde sind oder unter dem Einfluss von Drogen, Alkohol oder Medikamenten stehen. Ein Moment der Unachtsamkeit beim Gebrauch des Elektrowerkzeuges kann zu ernsthaften Verletzungen führen.
- b)  Tragen Sie persönliche Schutzausrüstung und immer eine Schutzbrille. Das Tragen persönlicher Schutzausrüstung wie Staubmaske, rutschfeste Sicherheitsschuhe, Schutzhelm oder Gehörschutz, je nach Art und Einsatz des Elektrowerkzeuges, verringert das Risiko von Verletzungen.
- c) Vermeiden Sie eine unbeabsichtigte Inbetriebnahme. Vergewissern Sie sich, dass das Elektrowerkzeug ausgeschaltet ist, bevor Sie es an die Stromversorgung und / oder den Akku anschließen, es aufnehmen oder tragen. Wenn Sie beim Tragen des Elektrowerkzeuges den Finger am Schalter haben oder das Gerät bereits eingeschaltet an die Stromversorgung anschließen, kann dies zu Unfällen führen.

- d) Entfernen Sie Einstellwerkzeuge oder Schraubenschlüssel, bevor Sie das Elektrowerkzeug einschalten. Ein Werkzeug oder Schlüssel, der sich in einem drehenden Geräteteil befindet, kann zu Verletzungen führen.
- e) Vermeiden Sie eine abnormale Körperhaltung. Sorgen Sie für einen sicheren Stand und halten Sie jederzeit das Gleichgewicht. Dadurch können Sie das Elektrowerkzeug in unerwarteten Situationen besser kontrollieren.
- f) Tragen Sie geeignete Kleidung. Tragen Sie keine weite Kleidung oder Schmuck. Halten Sie Haare, Kleidung und Handschuhe fern von sich bewegenden Teilen. Lockere Kleidung, Schmuck oder lange Haare können von sich bewegenden Teilen erfasst werden.
- g) Wenn Staubabsaug- und -auffangeinrichtungen montiert werden können, vergewissern Sie sich, dass diese angeschlossen sind und richtig verwendet werden. Die Verwendung einer Staubabsaugung kann Gefährdungen durch Staub verringern.

4. Verwendung und Behandlung des Elektrowerkzeugs

- a) Überlasten Sie das Gerät nicht. Verwenden Sie für Ihre Arbeit das dafür bestimmte Elektrowerkzeug. Mit dem passenden Elektrowerkzeug arbeiten Sie besser und sicherer im angegebenen Leistungsbereich.
- b) Benutzen Sie kein Elektrowerkzeug, dessen Schalter defekt ist. Ein Elektrowerkzeug, das sich nicht mehr ein- oder ausschalten lässt, ist gefährlich und muss repariert werden.
- c) Ziehen Sie den Stecker aus der Steckdose und/oder entfernen Sie den Akku, bevor Sie Geräteeinstellungen vornehmen, Zubehörteile wechseln oder das Gerät weglegen. Diese Vorsichtsmaßnahme verhindert den unbeabsichtigten Start des Elektrowerkzeuges.
- d) Bewahren Sie unbenutzte Elektrowerkzeuge außerhalb der Reichweite von Kindern auf. Lassen Sie Personen das Gerät nicht benutzen, die mit diesem nicht vertraut sind oder diese Anweisungen nicht gelesen haben. Elektrowerkzeuge sind gefährlich, wenn sie von unerfahrenen Personen benutzt werden.

- e) Pflegen Sie Elektrowerkzeuge mit Sorgfalt. Kontrollieren Sie, ob bewegliche Teile einwandfrei funktionieren und nicht klemmen, ob Teile gebrochen oder so beschädigt sind, dass die Funktion des Elektrowerkzeuges beeinträchtigt ist. Lassen Sie beschädigte Teile vor dem Einsatz des Gerätes reparieren. Viele Unfälle haben ihre Ursache in schlecht gewarteten Elektrowerkzeugen.
- f) Halten Sie Schneidwerkzeuge scharf und sauber. Sorgfältig gepflegte Schneidwerkzeuge mit scharfen Schneidkanten verkleben sich weniger und sind leichter zu führen.
- g) Verwenden Sie Elektrowerkzeug, Zubehör, Einsatzwerkzeuge usw. entsprechend diesen Anweisungen. Berücksichtigen Sie dabei die Arbeitsbedingungen und die auszuführende Tätigkeit. Der Gebrauch von Elektrowerkzeugen für andere als die vorgesehenen Anwendungen kann zu gefährlichen Situationen führen.

5. Verwendung und Behandlung des Akkuwerkzeugs

- a) Laden Sie die Akkus nur in Ladegeräten auf, die vom Hersteller empfohlen werden. Für ein Ladegerät, das für eine bestimmte Art von Akkus geeignet ist, besteht Brandgefahr, wenn es mit anderen Akkus verwendet wird.
- b) Verwenden Sie nur die dafür vorgesehenen Akkus in den Elektrowerkzeugen. Der Gebrauch von anderen Akkus kann zu Verletzungen und Brandgefahr führen.
- c) Halten Sie den nicht benutzten Akku fern von Büroklammern, Münzen, Schlüsseln, Nägeln, Schrauben oder anderen kleinen Metallgegenständen, die eine Überbrückung der Kontakte verursachen könnten. Ein Kurzschluss zwischen den Akkukontakten kann Verbrennungen oder Feuer zur Folge haben.
- d) Bei falscher Anwendung kann Flüssigkeit aus dem Akku austreten. Vermeiden Sie den Kontakt damit. Bei zufälligem Kontakt mit Wasser abspülen. Wenn die Flüssigkeit in die Augen kommt, nehmen Sie zusätzlich ärztliche Hilfe in Anspruch. Austretende Akkuflüssigkeit kann zu Hautreizungen oder Verbrennungen führen.



VORSICHT! EXPLOSIONSGEFAHR!
Laden Sie nicht aufladbare Batterien niemals auf.



Schützen Sie den Akku vor Hitze, z. B. auch vor dauernder Sonneneinstrahlung, Feuer, Wasser und Feuchtigkeit. Es Besteht Explosionsgefahr.



6. Service

- a) Lassen Sie Ihr Elektrowerkzeug nur von qualifiziertem Fachpersonal und nur mit Original-Ersatzteilen reparieren. Damit wird sichergestellt, dass die Sicherheit des Elektrowerkzeugs erhalten bleibt.

Sicherheitshinweise für alle Anwendungen

Gemeinsame Sicherheitshinweise zum Schleifen, Sandpapierschleifen, Arbeiten mit Drahtbürsten, Polieren, Fräsen oder Trennschleifen:

- a) Dieses Elektrowerkzeug ist zu verwenden als Schleifer, Sandpapierschleifer, Drahtbürste, Polierer, zum Fräsen und als Trennschleifmaschine. Beachten Sie alle Sicherheitshinweise, Anweisungen, Darstellungen und Daten, die Sie mit dem Gerät erhalten. Wenn Sie die folgenden Anweisungen nicht beachten, kann es zu elektrischem Schlag, Feuer und / oder schweren Verletzungen kommen.
- b) Verwenden Sie kein Zubehör, das vom Hersteller nicht speziell für dieses Elektrowerkzeug vorgesehen und empfohlen wird. Nur weil Sie das Zubehör an Ihrem Elektrowerkzeug befestigen können, garantiert das keine sichere Verwendung.
- c) Die zulässige Drehzahl des Einsatzwerkzeugs muss mindestens so hoch sein wie die auf dem Elektrowerkzeug angegebene Höchstdrehzahl. Zubehör, das sich schneller als zulässig dreht, kann zerbrechen und umherfliegen.
- d) Außendurchmesser und Dicke des Einsatzwerkzeugs müssen den Maßangaben Ihres Elektrowerkzeugs entsprechen. Falsch bemessene Einsatzwerkzeuge können nicht ausreichend abgeschirmt oder kontrolliert werden.

- e) Schleifscheiben, Schleifwalzen oder anderes Zubehör müssen genau auf die Schleifspindel oder Spannzange Ihres Elektrowerkzeugs passen. Einsatzwerkzeuge, die nicht genau in die Aufnahme des Elektrowerkzeugs passen, drehen sich ungleichmäßig, vibrieren sehr stark und können zum Verlust der Kontrolle führen.
- f) Auf einem Dorn montierte Scheiben, Schleifzylinder, Schneidwerkzeuge oder anderes Zubehör müssen vollständig in die Spannzange oder das Spannfutter eingesetzt werden. Der „Überstand“ bzw. der frei liegende Teil des Dorns zwischen Schleifkörper und Spannzange oder Spannfutter muss minimal sein. Wird der Dorn nicht ausreichend gespannt oder steht der Schleifkörper zu weit vor, kann sich das Einsatzwerkzeug lösen und mit hoher Geschwindigkeit ausgeworfen werden.
- g) Verwenden Sie keine beschädigten Einsatzwerkzeuge. Kontrollieren Sie vor jeder Verwendung Einsatzwerkzeuge wie Schleifscheiben auf Absplitterungen und Risse, Schleifwalzen auf Risse, Verschleiß oder starke Abnutzung, Drahtbürsten auf lose oder gebrochene Drähte. Wenn das Elektrowerkzeug oder das Einsatzwerkzeug herunterfällt, überprüfen Sie, ob es beschädigt ist, oder verwenden Sie ein unbeschädigtes Einsatzwerkzeug. Wenn Sie das Einsatzwerkzeug kontrolliert und eingesetzt haben, halten Sie und in der Nähe befindliche Personen sich außerhalb der Ebene des rotierenden Einsatzwerkzeugs auf und lassen Sie das Gerät eine Minute lang mit Höchstdrehzahl laufen. Beschädigte Einsatzwerkzeuge brechen meist in dieser Testzeit.
- h) Tragen Sie persönliche Schutzausrüstung. Verwenden Sie je nach Anwendung Vollgesichtsschutz, Augenschutz oder Schutzbrille. Soweit angemessen, tragen Sie Staubmaske, Gehörschutz, Schutzhandschuhe oder Spezialschürze, die kleine Schleif- und Materialpartikel von Ihnen fernhält. Die Augen sollen vor herumfliegenden Fremdkörpern geschützt werden, die bei verschiedenen Anwendungen entstehen. Staub- oder Atemschutzmaske müssen den bei der Anwendung entstehenden Staub filtern. Wenn Sie lange lautem Lärm ausgesetzt sind, können Sie einen Hörverlust erleiden.
- i) Achten Sie bei anderen Personen auf sicheren Abstand zu Ihrem Arbeitsbereich. Jeder, der den Arbeitsbereich betritt, muss persönliche Schutzausrüstung tragen. Bruchstücke des Werkstücks oder gebrochener Einsatzwerkzeuge können wegfliegen und Verletzungen auch außerhalb des direkten Arbeitsbereichs verursachen.
- j) Halten Sie das Gerät nur an den isolierten Griffflächen, wenn Sie Arbeiten ausführen, bei denen das Einsatzwerkzeug verborgene Stromleitungen oder das eigene Netzkabel treffen kann. Der Kontakt mit einer spannungsführenden Leitung kann auch metallene Geräteteile unter Spannung setzen und zu einem elektrischen Schlag führen.
- k) Halten Sie das Elektrowerkzeug beim Starten stets gut fest. Beim Hochlaufen auf die volle Drehzahl kann das Reaktionsmoment des Motors dazu führen, dass sich das Elektrowerkzeug verdreht.
- l) Wenn möglich, verwenden Sie Zwingen, um das Werkstück zu fixieren. Halten Sie niemals ein kleines Werkstück in der einen Hand und das Elektrowerkzeug in der anderen, während Sie es benutzen. Durch das Festspannen kleiner Werkstücke haben Sie beide Hände zur besseren Kontrolle des Elektrowerkzeugs frei. Beim Trennen runder Werkstücke wie Holzdübel, Stangenmaterial oder Rohre neigen diese zum Wegrollen, wodurch das Einsatzwerkzeug klemmen und auf Sie zu geschleudert werden kann.
- m) Halten Sie das Anschlusskabel von sich drehenden Einsatzwerkzeugen fern. Wenn Sie die Kontrolle über das Gerät verlieren, kann das Kabel durchtrennt oder erfasst werden und Ihre Hand oder Ihr Arm in das sich drehende Einsatzwerkzeug geraten.
- n) Legen Sie das Elektrowerkzeug niemals ab, bevor das Einsatzwerkzeug völlig zum Stillstand gekommen ist. Das sich drehende Einsatzwerkzeug kann in Kontakt mit der Ablagefläche geraten, wodurch Sie die Kontrolle über das Elektrowerkzeug verlieren können.
- o) Ziehen Sie nach dem Wechseln von Einsatzwerkzeugen oder Einstellungen am Gerät die Spannzangenmutter, das Spannfutter oder sonstige Befestigungselemente fest an. Lose Befestigungselemente können sich unerwartet verstellen und zum Verlust der Kontrolle führen;

- unbefestigte, rotierende Komponenten werden gewaltsam herausgeschleudert.
- p) **Lassen Sie das Elektrowerkzeug nicht laufen, während Sie es tragen.** Ihre Kleidung kann durch zufälligen Kontakt mit dem sich drehenden Einsatzwerkzeug erfasst werden und das Einsatzwerkzeug sich in Ihren Körper bohren.
 - q) **Reinigen Sie regelmäßig die Lüftungsschlitze Ihres Elektrowerkzeugs.** Das Motorgebläse zieht Staub in das Gehäuse, und eine starke Ansammlung von Metallstaub kann elektrische Gefahren verursachen.
 - r) **Verwenden Sie das Elektrowerkzeug nicht in der Nähe brennbarer Materialien.** Funken können diese Materialien entzünden.
 - s) **Verwenden Sie keine Einsatzwerkzeuge, die flüssige Kühlmittel erfordern.** Die Verwendung von Wasser oder anderen flüssigen Kühlmitteln kann zu einem elektrischen Schlag führen.

Weitere Sicherheitshinweise für alle Anwendungen

Rückschlag und entsprechende Sicherheitshinweise

Rückschlag ist die plötzliche Reaktion infolge eines hakenden oder blockierten drehenden Einsatzwerkzeugs, wie Schleifscheibe, Schleifband, Drahtbürste usw. Verhaken oder Blockieren führt zu einem abrupten Stopp des rotierenden Einsatzwerkzeugs. Dadurch wird ein unkontrolliertes Elektrowerkzeug gegen die Drehrichtung des Einsatzwerkzeugs beschleunigt.

Wenn z. B. eine Schleifscheibe im Werkstück hakt oder blockiert, kann sich die Kante der Schleifscheibe, die in das Werkstück eintaucht, verfangen und dadurch die Schleifscheibe ausbrechen oder einen Rückschlag verursachen. Die Schleifscheibe bewegt sich dann auf die Bedienperson zu oder von ihr weg, je nach Drehrichtung der Scheibe an der Blockierstelle. Hierbei können Schleifscheiben auch brechen.

Ein Rückschlag ist die Folge eines falschen oder fehlerhaften Gebrauchs des Elektrowerkzeugs. Er kann durch geeignete Vorsichtsmaßnahmen, wie nachfolgend beschrieben, verhindert werden.

- a) **Halten Sie das Elektrowerkzeug gut fest und bringen Sie Ihren Körper und Ihre Arme in eine Position, in der Sie die Rückschlagkräfte abfangen können.** Die Bedienperson kann durch geeignete Vorsichtsmaßnahmen die Rückschlagkräfte beherrschen.
- b) **Arbeiten Sie besonders vorsichtig im Bereich von Ecken, scharfen Kanten usw. Verhindern Sie, dass Einsatzwerkzeuge vom Werkstück zurückprallen und verklemmen.** Das rotierende Einsatzwerkzeug neigt bei Ecken, scharfen Kanten oder wenn es abprallt dazu, sich zu verklemmen. Dies verursacht einen Kontrollverlust oder Rückschlag.
- c) **Verwenden Sie kein gezähntes Sägeblatt.** Solche Einsatzwerkzeuge verursachen häufig einen Rückschlag oder den Verlust der Kontrolle über das Elektrowerkzeug.
- d) **Führen Sie das Einsatzwerkzeug stets in der gleichen Richtung in das Material, in der die Schneidkante das Material verlässt (entspricht der gleichen Richtung, in der die Späne ausgeworfen werden).** Führen des Elektrowerkzeugs in die falsche Richtung bewirkt ein Ausbrechen der Schneidkante des Einsatzwerkzeuges aus dem Werkstück, wodurch das Elektrowerkzeug in diese Vorschubrichtung gezogen wird.
- e) **Spannen Sie das Werkstück bei der Verwendung von Drehfeilen, Trennscheiben, Hochgeschwindigkeitsfräsworkzeugen oder Hartmetall-Fräsworkzeugen stets fest.** Bereits bei geringer Verkantung in der Nut verhaken diese Einsatzwerkzeuge und können einen Rückschlag verursachen. Bei Verhaken einer Trennscheibe bricht diese gewöhnlich. Bei Verhaken von Drehfeilen, Hochgeschwindigkeitsfräsworkzeugen oder Hartmetall-Fräsworkzeugen, kann der Werkzeugeinsatz aus der Nut springen und zum Verlust der Kontrolle über das Elektrowerkzeug führen.

Zusätzliche Sicherheitshinweise zum Schleifen und Trennschleifen

Besondere Sicherheitshinweise zum Schleifen und Trennschleifen:

- a) Verwenden Sie ausschließlich die für Ihr Elektrowerkzeug zugelassenen Schleifkörper und nur für die empfohlenen Einsatzmöglichkeiten. Beispiel: Schleifen Sie nie mit der Seitenfläche einer Trennscheibe. Trennscheiben sind zum Materialabtrag mit der Kante der Scheibe bestimmt. Seitliche Kräfteinwirkung auf diese Schleifkörper kann sie zerbrechen.
- b) Verwenden Sie für konische und gerade Schleifstifte mit Gewinde nur unbeschädigte Dorne der richtigen Größe und Länge, ohne Hinterschneidung an der Schulter. Geeignete Dorne verhindern die Möglichkeit eines Bruchs.
- c) Vermeiden Sie ein Blockieren der Trennscheibe oder zu hohen Anpressdruck. Führen Sie keine übermäßig tiefen Schnitte aus. Eine Überlastung der Trennscheibe erhöht deren Beanspruchung und die Anfälligkeit zum Verankerten oder Blockieren und damit die Möglichkeit eines Rückschlags oder Schleifkörperbruchs.
- d) Meiden Sie mit Ihrer Hand den Bereich vor und hinter der rotierenden Trennscheibe. Wenn Sie die Trennscheibe im Werkstück von Ihrer Hand wegbewegen, kann im Falle eines Rückschlags das Elektrowerkzeug mit der sich drehenden Scheibe direkt auf Sie zugeschleudert werden.
- e) Falls die Trennscheibe verklemmt oder Sie die Arbeit unterbrechen, schalten Sie das Gerät aus und halten Sie es ruhig, bis die Scheibe zum Stillstand gekommen ist. Versuchen Sie nie, die noch laufende Trennscheibe aus dem Schnitt zu ziehen, sonst kann ein Rückschlag erfolgen. Ermitteln und beheben Sie die Ursache für das Verklemmen.
- f) Schalten Sie das Elektrowerkzeug nicht wieder ein, solange es sich im Werkstück befindet. Lassen Sie die Trennscheibe erst ihre volle Drehzahl erreichen, bevor Sie den Schnitt vorsichtig fortsetzen. Anderenfalls kann die Scheibe verhaken, aus dem Werkstück springen oder einen Rückschlag verursachen.

- g) Stützen Sie Platten oder große Werkstücke ab, um das Risiko eines Rückschlags durch eine eingeklemmte Trennscheibe zu vermindern. Große Werkstücke können sich unter ihrem eigenen Gewicht durchbiegen. Das Werkstück muss auf beiden Seiten der Scheibe abgestützt werden, und zwar sowohl in der Nähe des Trennschnitts als auch an der Kante.
- h) Seien Sie besonders vorsichtig bei Tauchschnitten in bestehende Wände oder andere nicht einsehbare Bereiche. Die eintauchende Trennscheibe kann beim Schneiden in Gas- oder Wasserleitungen, elektrische Leitungen oder andere Objekte einen Rückschlag verursachen.

Zusätzliche Sicherheitshinweise zum Arbeiten mit Drahtbürsten

Besondere Sicherheitshinweise zum Arbeiten mit Drahtbürsten:

- a) Beachten Sie, dass die Drahtbürste auch während des üblichen Gebrauchs Drahtstücke verliert. Überlasten Sie die Drähte nicht durch zu hohen Anpressdruck. Wegfliegende Drahtstücke können sehr leicht durch dünne Kleidung und / oder die Haut dringen.
- b) Lassen Sie Bürsten vor dem Einsatz mindestens eine Minute mit Arbeitsgeschwindigkeit laufen. Achten Sie darauf, dass in dieser Zeit keine andere Person vor oder in gleicher Linie mit der Bürste steht. Während der Einlaufzeit können lose Drahtstücke wegfliegen.
- c) Richten Sie die rotierende Drahtbürste von sich weg. Beim Arbeiten mit diesen Bürsten können kleine Partikel und winzige Drahtstücke mit hoher Geschwindigkeit wegfliegen und durch die Haut dringen.

Sicherheitshinweise für Ladegeräte

- Dieses Gerät kann von Kindern ab 8 Jahren und darüber sowie von Personen mit verringerten physischen, sensorischen oder mentalen Fähigkeiten oder Mangel an Erfahrung und Wissen benutzt werden, wenn sie beaufsichtigt oder bezüglich des sicheren Gebrauchs des Gerätes unterwiesen wurden und die daraus resultierenden Gefahren verstehen. Kinder dürfen nicht mit dem Gerät spielen. Reinigung und Benutzer-Wartung dürfen nicht von Kindern ohne Beaufsichtigung durchgeführt werden.
- Wenn die Netzanschlussleitung dieses Gerätes beschädigt wird, muss sie durch den Hersteller oder seinen Kundendienst oder eine ähnlich qualifizierte Person ersetzt werden, um Gefährdungen zu vermeiden.



Das Ladegerät ist nur für den Betrieb im Innenbereich geeignet.

WARNUNG!

- Betreiben Sie das Gerät nicht mit beschädigtem Kabel, Netzkabel oder Netzstecker. Beschädigte Netzkabel bedeuten Lebensgefahr durch elektrischen Schlag.

Bedienung

- Verwenden Sie das Gerät niemals zweckentfremdet und nur mit Originalteilen / -zubehör. Der Gebrauch anderer als in der Bedienungsanleitung empfohlener Teile oder anderen Zubehörs kann eine Verletzungsgefahr für Sie bedeuten.

Akku-Pack laden

HINWEIS

- ▶ Ein neuer oder lange Zeit nicht genutzter Akku-Pack muss vor der ersten / erneuten Benutzung aufgeladen werden. Seine volle Kapazität erreicht der Akku-Pack nach ca. 3-5 Ladezyklen. Ein Ladevorgang dauert ca. 180 Minuten.

VORSICHT! VERLETZUNGSGEFAHR!

- ▶ Ziehen Sie immer den Netzstecker, bevor Sie den Akku-Pack aus dem Ladegerät nehmen bzw. einsetzen.
- ◆ Stecken Sie den Akku-Pack **4** in die Ladeschale **8**. Dieser lässt sich nur in der richtigen Polung einsetzen.
- ◆ Schließen Sie das Netzteil **9** an eine Steckdose an.
- ◆ Solange der Akku-Pack geladen wird, leuchtet die rote Ladezustandsanzeige **10**. Ist der Ladevorgang abgeschlossen, erlischt die rote Ladezustandsanzeige **10** und die grüne Ladezustandsanzeige **10a** leuchtet. Der Akku-Pack **4** ist einsatzbereit.

VORSICHT!

- ▶ Laden Sie einen Akku-Pack niemals unmittelbar nach dem Ladevorgang ein zweites Mal auf. Es besteht die Gefahr, dass der Akku-Pack überladen wird.

Akku-Pack ins Gerät einsetzen / entnehmen

Akku-Pack einsetzen:

- ◆ Stellen Sie den EIN- / AUS-Schalter **1** auf die Position „OFF“.
- ◆ Stecken Sie den Akku-Pack **4** in das Gerät, bis er einrastet.

Akku-Pack entnehmen:

- ◆ Drücken Sie gleichzeitig die seitlichen Tasten der Akku-Entriegelung **3** und entnehmen Sie den Akku-Pack **4**.

Akkuzustand ablesen

Der Zustand bzw. die Restleistung wird bei eingeschaltetem Gerät in der Akku-LED 2 wie folgt angezeigt:

ROT / ORANGE / GRÜN = maximale Ladung

ROT / ORANGE = mittlere Ladung

ROT = schwache Ladung – Akku aufladen

Werkzeug / Spannzange einsetzen / wechseln

- ◆ Betätigen Sie die Spindelarrretierung **7** und halten Sie diese gedrückt.
- ◆ Drehen Sie die Spannmutter **5** bis die Arrretierung einrastet.
- ◆ Lösen Sie die Spannmutter **5** mit dem Kombischlüssel **22** vom Gewinde.
- ◆ Entnehmen Sie ggf. ein eingesetztes Werkzeug.
- ◆ Schieben Sie zuerst das vorgesehene Werkzeug durch die Spannmutter **5** bevor Sie es in die zum Werkzeugschaft passende Spannzange **17** stecken.
- ◆ Betätigen Sie die Spindelarrretierung **7** und halten Sie diese gedrückt.
- ◆ Stecken Sie die Spannzange **17** in den Gewindeeinsatz und schrauben Sie dann die Spannmutter **5** mit dem Kombischlüssel **22** am Gewinde fest.

HINWEIS

- ▶ Verwenden Sie die Schraubendreherseite des Kombischlüssels **22** zum Lösen und Festziehen der Schraube der Spanndornen **12**.

Ein- und ausschalten / Drehzahlbereich einstellen

Einschalten / Drehzahlbereich einstellen:

- ◆ Stellen Sie den Ein- / Aus-Schalter mit Drehzahlregulierung **1** auf eine Position zwischen „1“ und „MAX“.

Ausschalten:

- ◆ Stellen Sie den Ein- / Aus-Schalter mit Drehzahlregulierung **1** auf die Position „OFF“.

Hinweise zu Materialbearbeitung / Werkzeug / Drehzahlbereich

- Verwenden Sie die Fräsbits **19** zur Bearbeitung von Stahl und Eisen unter Höchstdrehzahl.
- Ermitteln Sie den Drehzahlbereich zur Bearbeitung von Zink, Zinklegierungen, Aluminium, Kupfer und Blei durch Versuche an Probestücken.
- Bearbeiten Sie Kunststoffe und Materialien mit niedrigem Schmelzpunkt im niedrigen Drehzahlbereich.
- Bearbeiten Sie Holz mit hohen Drehzahlen.
- Führen Sie Reinigungs-, Polier- und Schwabbelarbeiten im mittleren Drehzahlbereich durch.

Die nachfolgenden Angaben sind unverbindliche Empfehlungen. Testen Sie beim praktischen Arbeiten auch selbst, welches Werkzeug und welche Einstellung für das zu bearbeitende Material optimal geeignet sind.

Geeignete Drehzahl einstellen:

Ziffer an der Drehzahlregulierung ①	zu bearbeitendes Material		
1-3	Kunststoff und Werkstoffe mit niedrigem Schmelzpunkt	6	Hartholz
4-5	Gestein, Keramik	Max	Stahl
5	Weichholz, Metall		

Anwendungsbeispiele / geeignetes Werkzeug auswählen:

Funktion	Zubehör	Verwendung	Überstand (min-max) mm
Bohren	HSS-Bohrer ⑪	Holz bearbeiten	18-25 beim kleinsten Bohrer ist der Überstand 10 mm
Fräsen	Fräsbits ⑲	Vielseitige Arbeiten; z.B. Ausbuchten, Aushöhlen, Formen, Nuten oder Schlitzte erstellen	18-25
Gravieren	Gravierbits ⑳	Kennzeichnung anfertigen, Bastelarbeiten	18-25
Polieren, Entrosten VORSICHT! Üben Sie nur leichten Druck mit dem Werkzeug auf das Werkstück aus.	Metallbürste ⑮	Entrosten	9-15
	Polierscheiben ⑬	Verschiedene Metalle und Kunststoffe, insbesondere Edelmetalle wie Gold oder Silber bearbeiten	12-18
Säubern	Kunststoffbürsten ⑱	z.B. schlecht zugängliche Kunststoffgehäuse säubern oder den Umgebungsbereich eines Türschlosses säubern	9-15
Schleifen	Schleifscheiben ⑭	Schleifarbeiten an Gestein, Holz, feine Arbeiten an harten Materialien, wie Keramik oder legiertem Stahl	12-18
	Schleifbits ㉑		10
Trennen	Trennscheiben ⑯	Metall, Kunststoff und Holz bearbeiten	12-18

- Der maximale Durchmesser von zusammengesetzten Schleifkörpern, Schleifkonen und Schleifstiften mit Gewindeeinsatz 55 mm darf nicht überschritten werden.
Der maximale Durchmesser für Sandpapier-Schleifzubehör 80 mm darf ebenfalls nicht überschritten werden.

HINWEIS

- ▶ Die max. zulässige Länge eines Spanndorns beträgt 33 mm.
- Zubehör in der Original-Box lagern oder die Zubehörteile anderweitig gegen Beschädigung schützen.
- Das Zubehör trocken und nicht im Bereich aggressiver Medien lagern.

Tipps und Tricks

- Wenn Sie zu hohen Druck ausüben, kann das eingespannte Werkzeug zerbrechen und /oder das Werkstück beschädigt werden. Sie können optimale Arbeitsergebnisse erzielen, indem Sie das Werkzeug mit gleich bleibendem Drehzahlbereich und geringem Druck an das Werkstück führen.
- Halten Sie das Gerät beim Trennen mit beiden Händen fest.
- Beachten Sie die Daten und Informationen in der Tabelle, um zu verhindern, dass das Spindelende den Lochboden des Schleifwerkzeugs berührt.

Wartung und Reinigung

Das Gerät ist wartungsfrei.

- Entfernen Sie Verschmutzungen vom Gerät. Verwenden Sie dazu ein trockenes Tuch.
- Führen Sie jeweils zu Beginn und am Ende eines längeren Nichtgebrauches einen kompletten Aufladevorgang des Akku-Packs 4 durch.
- Soll ein Lithium-Ionen-Akku längere Zeit gelagert werden, muss regelmäßig der Ladezustand kontrolliert werden. Der optimale Ladezustand liegt zwischen 50 % und 80 %. Das optimale Lagerungsklima ist kühl und trocken.

⚠ WARNUNG!

- Lassen Sie Ihre Geräte von der Servicestelle oder einer Elektrofachkraft und nur mit Original-Ersatzteilen reparieren. Damit wird sichergestellt, dass die Sicherheit des Gerätes erhalten bleibt.

⚠ WARNUNG!

- Lassen Sie den Austausch des Steckers oder der Netzleitung immer vom Hersteller des Gerätes oder seinem Kundendienst ausführen. Damit wird sichergestellt, dass die Sicherheit des Gerätes erhalten bleibt.

HINWEIS

- ▶ Nicht aufgeführte Ersatzteile (wie z.B. Akku, Ladegerät) können Sie über unsere Callcenter bestellen.

Entsorgung



Die Verpackung besteht aus umweltfreundlichen Materialien, die Sie über die örtlichen Recyclingstellen entsorgen können.



Werfen Sie Elektrowerkzeuge nicht in den Hausmüll!

Gemäß Europäischer Richtlinie 2012/19/EU müssen verbrauchte Elektrowerkzeuge getrennt gesammelt und einer umweltgerechten Wiederverwertung zugeführt werden.



Werfen Sie Akkus nicht in den Hausmüll!

⚠️ WARNUNG!

- Entfernen Sie den Akku vor der Entsorgung!

Defekte oder verbrauchte Akkus müssen gemäß Richtlinie 2006/66/EC recycelt werden. Geben Sie Akku-Pack und /oder das Gerät über die angebotenen Sammeleinrichtungen zurück.

Über Entsorgungsmöglichkeiten für ausgediente Elektrowerkzeuge / Akku-Pack informieren Sie sich bitte bei Ihrer Gemeinde- oder Stadtverwaltung.

Garantie der Kompersnaß Handels GmbH

Sehr geehrte Kundin, sehr geehrter Kunde,

Sie erhalten auf dieses Gerät 3 Jahre Garantie ab Kaufdatum. Im Falle von Mängeln dieses Produkts stehen Ihnen gegen den Verkäufer des Produkts gesetzliche Rechte zu. Diese gesetzlichen Rechte werden durch unsere im Folgenden dargestellte Garantie nicht eingeschränkt.

Garantiebedingungen

Die Garantiefrist beginnt mit dem Kaufdatum. Bitte bewahren Sie den Original Kassenbon gut auf. Diese Unterlage wird als Nachweis für den Kauf benötigt.

Tritt innerhalb von drei Jahren ab dem Kaufdatum dieses Produkts ein Material- oder Fabrikationsfehler auf, wird das Produkt von uns – nach unserer Wahl – für Sie kostenlos repariert oder ersetzt. Diese Garantieleistung setzt voraus, dass innerhalb der Drei-Jahres-Frist das defekte Gerät und der Kaufbeleg (Kassenbon) vorgelegt und schriftlich kurz beschrieben wird, worin der Mangel besteht und wann er aufgetreten ist.

Wenn der Defekt von unserer Garantie gedeckt ist, erhalten Sie das reparierte oder ein neues Produkt zurück. Mit Reparatur oder Austausch des Produkts beginnt kein neuer Garantiezeitraum.

Garantiezeit und gesetzliche Mängelansprüche

Die Garantiezeit wird durch die Gewährleistung nicht verlängert. Dies gilt auch für ersetzte und reparierte Teile. Eventuell schon beim Kauf vorhandene Schäden und Mängel müssen sofort nach dem Auspacken gemeldet werden. Nach Ablauf der Garantiezeit anfallende Reparaturen sind kostenpflichtig.

Garantieumfang

Das Gerät wurde nach strengen Qualitätsrichtlinien sorgfältig produziert und vor Auslieferung gewissenhaft geprüft.

Die Garantieleistung gilt für Material- oder Fabrikationsfehler. Diese Garantie erstreckt sich nicht auf

Produktteile, die normaler Abnutzung ausgesetzt sind und daher als Verschleißteile angesehen werden können oder für Beschädigungen an zerbrechlichen Teilen, z. B. Schalter, Akkus, Backformen oder Teile die aus Glas gefertigt sind.

Diese Garantie verfällt, wenn das Produkt beschädigt, nicht sachgemäß benutzt oder gewartet wurde. Für eine sachgemäße Benutzung des Produkts sind alle in der Bedienungsanleitung aufgeführten Anweisungen genau einzuhalten. Verwendungszwecke und Handlungen, von denen in der Bedienungsanleitung abgeraten oder vor denen gewarnt wird, sind unbedingt zu vermeiden.

Das Produkt ist nur für den privaten und nicht für den gewerblichen Gebrauch bestimmt. Bei missbräuchlicher und unsachgemäßer Behandlung, Gewaltanwendung und bei Eingriffen, die nicht von unserer autorisierten Service-Niederlassung vorgenommen wurden, erlischt die Garantie.

Abwicklung im Garantiefall

Um eine schnelle Bearbeitung ihres Anliegens zu gewährleisten, folgen Sie bitte den folgenden Hinweisen:

- Bitte halten Sie für alle Anfragen den Kassenschein und die Artikelnummer (z. B. IAN 12345) als Nachweis für den Kauf bereit.
- Die Artikelnummer entnehmen Sie bitte dem Typenschild, einer Gravur, auf dem Titelblatt ihrer Anleitung (unten links) oder als Aufkleber auf der Rück- oder Unterseite.
- Sollten Funktionsfehler oder sonstige Mängel auftreten kontaktieren Sie zunächst die nachfolgend benannte Serviceabteilung **telefonisch** oder per **E-Mail**.
- Ein als defekt erfasstes Produkt können Sie dann unter Beifügung des Kaufbelegs (Kassenschein) und der Angabe, worin der Mangel besteht und wann er aufgetreten ist, für Sie portofrei an die Ihnen mitgeteilte Service Anschrift übersenden.



Auf www.lidl-service.com können Sie diese und viele weitere Handbücher, Produktvideos und Software herunterladen.

Service

DE Service Deutschland

Tel.: 0800 5435 111 (Kostenfrei aus dem dt. Festnetz/Mobilfunknetz)

E-Mail: kompennass@lidl.de

AT Service Österreich

Tel.: 0820 201 222 (0,15 EUR/Min.)

E-Mail: kompennass@lidl.at

CH Service Schweiz

Tel.: 0842 665566 (0,08 CHF/Min., Mobilfunk max. 0,40 CHF/Min.)

E-Mail: kompennass@lidl.ch

IAN 279872

Importeur

Bitte beachten Sie, dass die folgende Anschrift keine Serviceanschrift ist. Kontaktieren Sie zunächst die benannte Servicestelle.

KOMPERNASS HANDELS GMBH

BURGSTRASSE 21

44867 BOCHUM

GERMANY

www.kompennass.com

Original- Konformitätserklärung

Wir, KOMPERNASS HANDELS GMBH, Dokumentenverantwortlicher: Herr Semi Uguzlu, BURGSTR. 21, 44867 BOCHUM, Deutschland, erklären hiermit, dass dieses Produkt mit den folgenden Normen, normativen Dokumenten und EG-Richtlinien übereinstimmt:

**Maschinenrichtlinie
(2006 / 42 / EC)**

**EG-Niederspannungsrichtlinie
(2014 / 35 / EU)**

**Elektromagnetische Verträglichkeit
(2014 / 30 / EU)**

**RoHS Richtlinie
(2011 / 65 / EU)**

Angewandte harmonisierte Normen:

EN 60745-1:2009/A11:2010
EN 60745-2-23:2013
EN 55014-1:2006/A2:2011
EN 55014-2:2015
EN 60335-1:2012/A11:2014
EN 60335-2-29:2004/A2:2010
EN 61000-3-2:2014
EN 61000-3-3:2013
EN 62233:2008

Typbezeichnung der Maschine:

Akku-Feinbohrschleifer PFBS 12 A1

Herstellungsjahr: 07-2016

Seriennummer: IAN 279872

Bochum, 08.06.2016



Semi Uguzlu

- Qualitätsmanager -

Technische Änderungen im Sinne der Weiterentwicklung sind vorbehalten.

KOMPERNASS HANDELS GMBH

BURGSTRASSE 21

44867 BOCHUM

DEUTSCHLAND/GERMANY

www.kompernass.com

Last Information Update · Tietojen tila · Informationsstatus

Stand der Informationen: 06/2016

Ident.-No.: PFBS12A1-062016-1

IAN 279872