



CORDLESS MULTI-GRINDER PFBS 12 A1

GB IE NI CY

CORDLESS MULTI-GRINDER

Translation of the original instructions

DE AT CH

AKKU-FEINBOHRSCHLEIFER

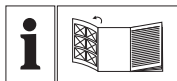
Originalbetriebsanleitung

GR CY

ΣΥΣΚΕΥΗ ΛΕΙΑΝΣΗΣ ΚΑΙ ΔΙΑΤΡΗΣΗΣ ΜΠΑΤΑΡΙΑΣ

Μετάφραση των αυθεντικών οδηγιών λειτουργίας

IAN 279872



GB IE NI CY

Before reading, unfold the page containing the illustrations and familiarise yourself with all functions of the device.

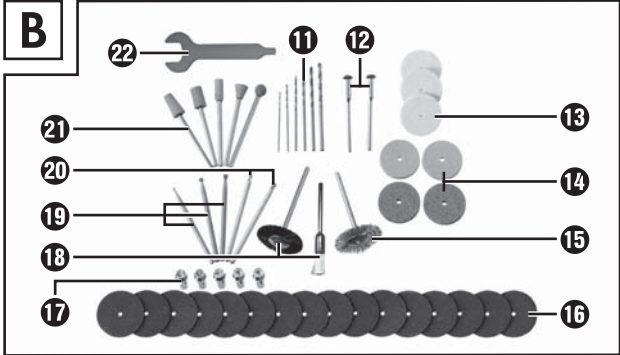
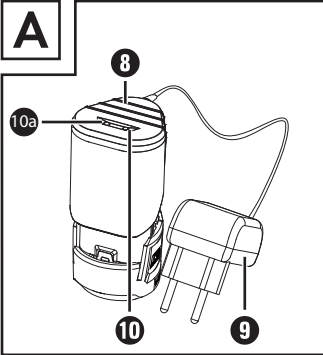
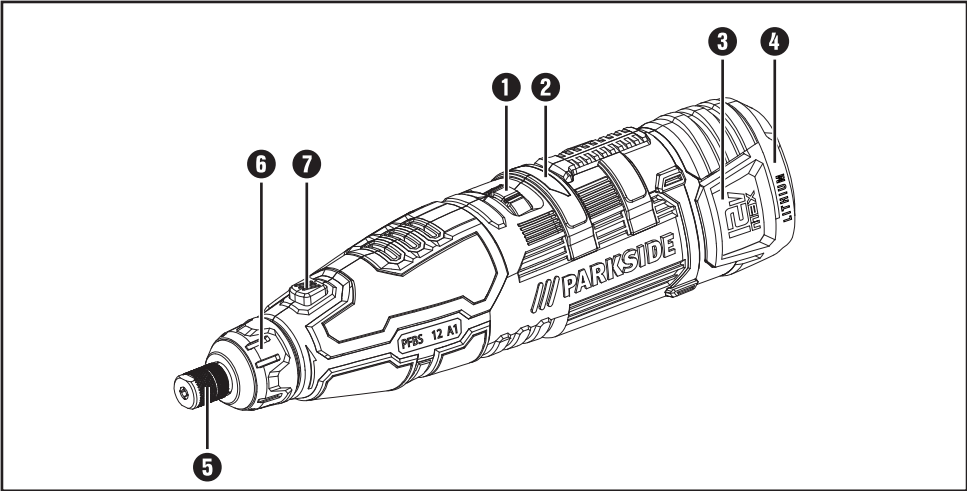
GR CY

Πριν ξεκινήσετε την ανάγνωση, ανοίξτε τις δυο σελίδες με τις εικόνες και εξοικειωθείτε με όλες τις λειτουργίες της συσκευής.

DE AT CH

Klappen Sie vor dem Lesen die Seite mit den Abbildungen aus und machen Sie sich anschließend mit allen Funktionen des Gerätes vertraut.

GB/IE/NI/CY	Translation of the original instructions	Page	1
GR/CY	Μετάφραση των αυθεντικών οδηγιών λειτουργίας	Σελίδα	15
DE/AT/CH	Originalbetriebsanleitung	Seite	31



Contents

Introduction	2
Intended use	2
Features	2
Package contents	2
Technical details	2
General Power Tool Safety Warnings	3
1. Work area safety	3
2. Electrical safety	3
3. Personal safety	4
4. Power tool use and care	4
5. Use and handling of the cordless electrical power tool	5
6. Service	5
Safety instructions for all applications	5
Additional safety instructions for all applications	7
Supplementary safety instructions for grinding and abrasive cutting	8
Supplementary safety instructions for working with wire brushes	8
Safety guidelines for battery chargers	9
Use	9
Charging the battery pack	9
Attaching/disconnecting the battery pack to/from the appliance	10
Checking the battery charge level	10
Changing/inserting the tool/collet chuck	10
Switching on and off/setting speed range	10
Notes on working with materials/tools/speed range	10
Tips and tricks	12
Maintenance and cleaning	12
Disposal	13
Kompennass Handels GmbH warranty	13
Service	14
Importer	14
Translation of the original Conformity Declaration	14

CORDLESS MULTI-GRINDER PFBS 12 A1

Introduction

Congratulations on the purchase of your new appliance. You have selected a high-quality product.

The operating instructions are part of this product. They contain important information about safety, usage and disposal. Before using the product, please familiarise yourself with all operating and safety instructions. Use the product only as described and for the range of applications specified. Please also pass these operating instructions on to any future owner.

Intended use

This cordless precision drill/sander is intended for drilling, milling, engraving, polishing, cleaning, grinding, cutting of materials such as wood, metal, plastics, ceramics and stone in dry rooms using the corresponding attachments (as supplied). Any other usage of or modification to the appliance is deemed to be improper and carries a significant risk of accidents. The manufacturer accepts no responsibility for damage(s) attributable to misuse. This appliance is not intended for commercial use.

Features

Cordless precision drill/sander:

- ❶ ON/OFF switch/control dial
- ❷ Battery LED
- ❸ Battery release button
- ❹ Battery pack
- ❺ Tensioning nut
- ❻ Cap nut
- ❼ Spindle lock

Battery charger (see Fig. A):

- ❽ Charger cradle
- ❾ Mains adapter
- ❿ Red charge status indicator
- ⓫ Green charge status indicator

Accessories (See Fig. B):

- ❶ 6 HSS drill bits
- ❷ 2 mandrels as tool holders
- ❸ 3 polishing discs
- ❹ 4 grinding discs
- ❺ 1 metal brush
- ❻ 16 cutting discs
- ❼ 5 collet chucks
- ❽ 2 synthetic brushes
- ❾ 3 milling bits
- ❿ 2 engraving bits
- ⓫ 5 grinding bits
- ⓬ 1 combination spanner

Package contents

- 1 cordless multi-grinder
- 1 charger cradle with mains adapter
- 1 accessories set (50 pieces)
- 1 set of operating instructions

Technical details

Model PFBS 12 A1:

Rated voltage:	12 V --- (DC)
Rated idle speed:	n 5000–25000 rpm
Max. disc \varnothing :	25 mm

Chuck clamping
range:  max. \varnothing 3.2 mm

Battery pack PFBS 12 A1-1:

INPUT:

Rated voltage:	12 V --- (DC)
Capacity:	1300 mAh
Type:	LITHIUM ION


Battery charger PFBS 12 A1-2:

Primary (input):

Rated voltage:	100–240 V \sim , 50–60 Hz (alternating current)
----------------	--

Rated power
consumption: 0.3 A

Secondary (output):

Rated voltage:	14.5 V --- (DC)
Rated current:	450 mA
Charging time:	approx. 3 hours
Protection class:	II/  (double insulation)

Noise emission value:

Noise measurement value determined in accordance with EN 60745. The A-rated noise level of the tool is typically:

Sound pressure level: $L_{pA} = 60.5 \text{ dB (A)}$

Uncertainty: $K_{pA} = 3 \text{ dB}$

Sound power level: $L_{WA} = 71.5 \text{ dB (A)}$

Uncertainty K: $K_{WA} = 3 \text{ dB}$

Wear hearing protection!

Total vibration value:

$a_h = 1.07 \text{ m/s}^2$

Uncertainty K: 1.5 m/s^2

NOTE

- ▶ The vibration level specified in these instructions has been measured in accordance with a standardised measuring procedure and can be used to make equipment comparisons. The specified vibration emission value can also be used to make an initial exposure estimate.

⚠ WARNING!

- ▶ The vibration level varies in accordance with the use of the power tool and may be higher than the value specified in these instructions in some cases. Regular use of the power tool in such a way may cause the user to underestimate the vibration. Try to keep the vibration loads as low as possible. Measures to reduce the vibration load are, e.g. wearing gloves and limiting the working time. All states of operation must be taken into account (e.g. times when the power tool is switched off and times where the power tool is switched on but running without load).

General Power Tool Safety Warnings



⚠ WARNING!

- ▶ Read all safety warnings and all instructions. Failure to follow the warnings and instructions may result in electric shock, fire and/or serious injury.

Save all warnings and instructions for future reference.

The term "power tool" in the warnings refers to your mains-operated (corded) power tool or battery-operated (cordless) power tool.

1. Work area safety


- Keep work area clean and well lit.**
Cluttered or dark areas invite accidents.
- Do not operate power tools in explosive atmospheres, such as in the presence of flammable liquids, gases or dust.** Power tools create sparks which may ignite the dust or fumes.
- Keep children and bystanders away while operating a power tool.** Distractions can cause you to lose control.

2. Electrical safety

- Power tool plugs must match the outlet. Never modify the plug in any way. Do not use any adapter plugs with earthed (grounded) power tools.** Unmodified plugs and matching outlets will reduce risk of electric shock.
- Avoid body contact with earthed or grounded surfaces, such as pipes, radiators, ranges and refrigerators.** There is an increased risk of electric shock if your body is earthed or grounded.
- Do not expose power tools to rain or wet conditions.** Water entering a power tool will increase the risk of electric shock.
- Do not abuse the cord. Never use the cord for carrying, pulling or unplugging the power tool. Keep cord away from heat, oil, sharp edges or moving parts.** Damaged or entangled cords increase the risk of electric shock.

- e) When operating a power tool outdoors, use an extension cord suitable for outdoor use. Use of a cord suitable for outdoor use reduces the risk of electric shock.
- f) If operating a power tool in a damp location is unavoidable, use a residual current device (RCD) protected supply. Use of an RCD reduces the risk of electric shock.

3. Personal safety

- a) Stay alert, watch what you are doing and use common sense when operating a power tool. Do not use a power tool while you are tired or under the influence of drugs, alcohol or medication. A moment of inattention while operating power tools may result in serious personal injury.
- b)  Use personal protective equipment. Always wear eye protection. Protective equipment such as dust mask, non-skid safety shoes, hard hat, or hearing protection used for appropriate conditions will reduce personal injuries.
- c) Prevent unintentional starting. Ensure the switch is in the off-position before connecting to power source and/or battery pack, picking up or carrying the tool. Carrying power tools with your finger on the switch or energising power tools that have the switch on invites accidents.
- d) Remove any adjusting key or wrench before turning the power tool on. A wrench or a key left attached to a rotating part of the power tool may result in personal injury.
- e) Do not overreach. Keep proper footing and balance at all times. This enables better control of the power tool in unexpected situations.
- f) Dress properly. Do not wear loose clothing or jewellery. Keep your hair, clothing and gloves away from moving parts. Loose clothes, jewellery or long hair can be caught in moving parts.
- g) If devices are provided for the connection of dust extraction and collection facilities, ensure these are connected and properly used. Use of dust collection can reduce dust-related hazards.

4. Power tool use and care

- a) Do not force the power tool. Use the correct power tool for your application. The correct power tool will do the job better and safer at the rate for which it was designed.
- b) Do not use the power tool if the switch does not turn it on and off. Any power tool that cannot be controlled with the switch is dangerous and must be repaired.
- c) Disconnect the plug from the power source and/or the battery pack from the power tool before making any adjustments, changing accessories, or storing power tools. Such preventive safety measures reduce the risk of starting the power tool accidentally.
- d) Store idle power tools out of the reach of children and do not allow persons unfamiliar with the power tool or these instructions to operate the power tool. Power tools are dangerous in the hands of untrained users.
- e) Maintain power tools. Check for misalignment or binding of moving parts, breakage of parts and any other condition that may affect the power tools operation. If damaged, have the power tool repaired before use. Many accidents are caused by poorly maintained power tools.
- f) Keep cutting tools sharp and clean. Properly maintained cutting tools with sharp cutting edges are less likely to bind and are easier to control.
- g) Use the power tool, accessories and tool bits, etc. in accordance with these instructions, taking into account the working conditions and the work to be performed. Use of the power tool for operations different from those intended could result in a hazardous situation.

5. Use and handling of the cordless electrical power tool

- a) Charge a rechargeable battery unit using only the charger recommended by the manufacturer. Chargers are often designed for a particular type of rechargeable battery unit. There is the danger of fire if other types of rechargeable battery units are used.
- b) Only the rechargeable battery units supplied are to be used with an electrical power tool. The use of other rechargeable battery units may lead to the danger of injury or fire.
- c) When they are not being used, store rechargeable battery units away from paper clips, coins, keys, nails, screws or other small metal objects that could cause the contacts to be bridged. Short-circuiting the contacts of a rechargeable battery unit may result in heat damage or fire.
- d) Fluids may leak out of rechargeable battery units if they are misused. If this happens, avoid contact with the fluid. If contact occurs, flush the affected area with water. Seek additional medical help if any of the fluid gets into your eyes. Escaping battery fluid may cause skin irritation or burns.



CAUTION! RISK OF EXPLOSION!
Never charge non-rechargeable batteries!



Protect the rechargeable battery from heat, for example from continuous exposure to sunlight, fire, water and moisture. There is a risk of explosion.



6. Service

- a) Have your power tool serviced by a qualified repair person using only identical replacement parts. This will ensure that the safety of the power tool is maintained.

Safety instructions for all applications

General safety instructions for grinding, sandpaper sanding, working with wire brushes, polishing, milling and abrasive cutting:

- a) This power tool is intended for use as a grinder, sandpaper sander, wire brush, polisher, milling machine and abrasive cutting appliance. Please follow all safety instructions, instructions, diagrams and data that you receive with the appliance. If you do not observe the following instructions, this can lead to electrical shock, fire and/or serious injuries.
- b) Do not use any accessories that have not been provided or recommended by the manufacturer for this power tool. Just because you can attach the accessories to your power tool, does not ensure they are safe to use.
- c) The permissible speed of the accessory tool used must be at least as high as the maximum speed specified for the power tool. Accessories that rotate faster than the permissible rate can break and throw pieces into the air.
- d) The external diameter and thickness of the accessory tool used must comply with the dimensions of the power tool. Incorrectly dimensioned accessory tools cannot be sufficiently shielded or controlled.
- e) Grinding discs, sanding drums or other accessories must match the grinding spindle or collet chuck of your power tool exactly. Accessory tools which do not fit precisely into the take-up of the power tool will rotate unevenly, vibrate severely and can lead to a loss of control.
- f) Discs, grinding cylinders, cutting tools or other accessories mounted on a mandrel must be completely inserted in the collet or chuck. Any "protrusion" or exposed parts of the mandrel between the grinding tool and the collet or chuck must be kept to a minimum.

- If the mandrel is not sufficiently tightened or the grinding tool protrudes too far, the tool could come loose and been thrown out at high speed.
- g) **Never use damaged accessory tools. Before each use, check accessory tools such as grinding discs for chips or cracks, sanding drums for cracks, wearing or excessive wear and tear and wire brushes for loose or broken wires. If the power tool or the accessory tool in use is dropped, check to see if it is damaged or use an undamaged accessory tool. When you have checked and inserted the accessory tool, ensure that you and any other people in the vicinity remain outside of the range of the rotating accessory tool and allow the tool to rotate at maximum speed for one minute. Damaged accessory tools usually break during this test period.**
 - h) **Wear personal protective equipment. Depending on the application, ensure that you use full face protection, eye protection or goggles. If required, use a dust mask, ear protectors, protective gloves or special apron to protect you from grindings and material particles. Protected your eyes from flying debris that may be created during certain applications. Dust or filter masks must be used to filter any dust created by the application. If you are exposed to loud noise for any length of time, you may suffer hearing loss.**
 - i) **Ensure that other people remain at a safe distance to your workspace. Anyone who enters the workspace must wear personal protective equipment. Fragments of the workpiece or broken accessory tools can fly off and cause injury – even outside the immediate working area.**
 - j) **Hold the power tool only by the insulated gripping surfaces when performing an operation where the accessory tool may contact hidden wiring or its own cord. Contact with a live cable can also make metal parts of the appliance live and could result in an electric shock.**
 - k) **Always hold the power tool firmly. When running up to full speed, the torque of the motor can cause the power tool to twist.**
 - l) **If possible, use clamps to hold the workpiece in position. Never hold a small workpiece in one hand and the power tool in the other while you are using it. By clamping small workpieces, you keep both hands free for better control of the power tool. When cutting round workpieces such as dowels, rods or pipes, be aware that these can roll away and this can cause the tool to jam and be thrown towards you.**
 - m) **Hold the power cord away from any rotating accessories. If you lose control of the appliance, the cord may get cut or caught and your hand or arm could get caught in the rotating accessory tool.**
 - n) **Never put the power tool down until the accessory tool has come to a complete standstill. The rotating accessory tool can come into contact with the surface and cause you to lose control of the power tool.**
 - o) **When changing accessory tools or changing settings, tighten the collet nut, the chuck or other fixing elements tightly. Loose fixing elements can shift unexpectedly and lead to loss of control; unfixed, rotating components will fly off violently.**
 - p) **Do not leave the power tool running whilst carrying it. Accidental contact between your clothing and the rotating accessory tool could lead to physical injury.**
 - q) **Clean the ventilation slits of your power tool regularly. The engine fan draws dust into the housing and a strong accumulation of metal dust can cause electrical hazards.**
 - r) **Do not use the power tool in the vicinity of flammable materials. Sparks can ignite such materials.**
 - s) **Do not use any accessory tools which require liquid coolant. The use of water or other liquid coolants may lead to electric shock.**

Additional safety instructions for all applications

Kickback and corresponding safety instructions

Kickback is a sudden reaction caused when a rotating accessory tool, e.g. grinding disc, abrasive band, wire brush, etc., catches or jams. Catching or jamming leads to an abrupt stop of the rotating accessory tool. If this happens, an uncontrolled power tool will turn rapidly against the direction of rotation of the accessory tool.

If, for example, a grinding disc catches or jams, the edge of the grinding disc that is projecting into the workpiece can get caught and break off the grinding disc or cause a kickback. The grinding disc can then fly in the direction of the operator or away from him, depending on the direction of rotation of the disc at the blockage. This can also break grinding discs.

A kickback is caused by incorrect use or misuse of the power tool. This can be avoided by taking proper precautions as given below.

- a) Hold the power tool firmly in both hands and position your body and arms so they can absorb the force of a kickback. By taking adequate precautions, the operator can stay in control of the kickback forces.
- b) **Take special care when working around corners, sharp edges, etc. Avoid allowing the accessory tool to bounce back from the workpiece or jam in the workpiece.** The rotating accessory tool is more likely to jam in corners or sharp edges or if it rebounds off them. This can cause a loss of control or kickback.
- c) **Do not use toothed saw blades.** Such accessories often cause a kickback or loss of control over the power tool.
- d) **Always move the accessory tool in the same direction in the material in which the cutting edge leaves the material (in other words, the same direction in which the dust is thrown out).** Guiding the power tool in the wrong direction will cause the cutting edge of the accessory tool to jump out of the workpiece which can lead to the accessory tool being pulled in this direction.
- e) **Always fix the workpiece when using rotary files, cutting discs, high-speed milling tools or hard-metal tools.** Even a minimal tilting in the groove can cause these tools to jam and lead to a kickback. When the cutting disc jams, it usually breaks. When a rotary file, high-speed milling tool or hard-metal milling tool jams, the accessory tool can jump out of the groove and lead to loss of control of the power tool.

Supplementary safety instructions for grinding and abrasive cutting

Special safety instructions for grinding and abrasive cutting

- a) Use only the grinding accessories approved for your power tool and only for the recommended applications. Example: Never grind with the side surface of a cutting disc. Cutting discs are designed to remove material with the edge of the disc. Any lateral application of force on these grinding tools can lead to breakage.
- b) Use only undamaged mandrels of the correct size and length and without undercut on the shoulder for conical and straight pencil grinders. Using an appropriate mandrel reduces the risk of breakages.
- c) Avoid cutting disc jams or excessive contact pressure. Do not make any excessively deep cuts. Overloading the cutting disc increases the stress and likelihood of tilting or jamming and thus the possibility of kickback or breakage of the grinding tool.
- d) Avoid putting your hand in the area in front of or behind the rotating cutting disc. When you move the cutting disc away from your hand, it is possible, in the event of a kickback, that the power tool along with the rotating disc could be thrown out directly towards you.
- e) If the cutting disc jams or you stop working, switch the tool off and hold it steady until the disc has completely stopped turning. Never attempt to pull a rotating cutting disc out of a cut. This could lead to kickback. Identify and remove the cause of the jam.
- f) Do not switch the power tool back on as long as it is in the workpiece. Allow the cutting disc to reach its full speed before you carefully continue the cut. Otherwise, the disc may jam, jump out of the workpiece or cause kickback.

- g) Support panels or large workpieces to reduce the risk of the cutting disc jamming and causing a kickback. Large workpieces can bend under their own weight. The workpiece must be supported on both sides, namely in the vicinity of the cut, and also at the edge.
- h) Be particularly careful when making "pocket cuts" into existing walls or other obscured areas. The inserted cutting disc may cut into gas or water pipes, electrical wiring or other objects that can cause kickback.

Supplementary safety instructions for working with wire brushes

Special safety instructions for working with wire brushes:

- a) Be aware that the brush can lose wire bristles even during normal operation. Do not over-stress the wires by applying excessive pressure to the brush. The wire bristles can easily penetrate light clothing and/or skin.
- b) Allow the brush to run at working speed for at least one minute before applying it to the workpiece. Ensure that no one is standing in front of or in line with the brush during this time. Loose pieces of wire could fly off during the run-in period.
- c) Aim the rotating steel brush away from yourself. When working with these brushes, small particles and minute pieces of wire can fly off at great speed and pierce skin.

Safety guidelines for battery chargers

- This appliance may be used by children aged 8 years and above and by persons with limited physical, sensory or mental capabilities or lack of experience and knowledge, provided that they are under supervision or have been told how to use the appliance safely and are aware of the potential risks. Do not allow children to use the appliance as a plaything. Cleaning and user maintenance tasks may not be carried out by children unless they are supervised.
- To avoid potential risks, damaged mains cables should be replaced by the manufacturer, their customer service department or a similarly qualified person.



The charger is suitable for indoor use only.

⚠ WARNING!

- Do not operate the appliance with a damaged cable, power cable or power plug. A damaged power cable poses a threat of fatal electric shock.

Use

- Never use the appliance for other purposes and only original parts/accessories. Using attachments or accessory tools other than those recommended in the operating instructions can lead to a risk of injury.

Charging the battery pack

NOTE

- ▶ A new battery pack or a battery pack which has not been used for a long time will need to be charged before first use/reuse. It will reach its full capacity after 3–5 charge cycles. The charging process lasts around 180 minutes.

⚠ CAUTION! RISK OF INJURY!

- ▶ Always unplug the appliance before you remove the battery pack from or connect the battery pack to the charger.
- ◆ Insert the battery pack **4** into the charger cradle **8**. It can only be inserted with the correct polarity.
- ◆ Connect the mains adapter **9** to a mains power socket.
- ◆ As long as the battery pack is charging, the red battery charge indicator **10** lights up. Once charging is completed, the red battery charge indicator **10** goes off and the green battery charge indicator **10a** lights up. The battery pack **4** is ready for use.

⚠ CAUTION!

- ▶ Never recharge a battery pack again immediately after charging. There is a risk that the battery pack will become overcharged.

Attaching/disconnecting the battery pack to/from the appliance

Inserting the battery pack:

- ◆ Push the ON/OFF switch **1** to the "OFF" position.
- ◆ Insert the battery pack **4** into the appliance until it clicks into place.

Removing the battery pack:

- ◆ Press the two battery release buttons **3** on the side of the appliance at the same time and remove the battery pack **4**.

Checking the battery charge level

If the appliance is switched on, the status/remaining charge will be shown on the battery LED 2 as follows:

- RED / ORANGE / GREEN = maximum charge
- RED / ORANGE = medium charge
- RED = low charge - charge the battery

Changing/inserting the tool/collet chuck

- ◆ Press the spindle lock **7** and hold it down.
- ◆ Turn the tensioning nut **5** until the lock clicks into place.
- ◆ Undo the tensioning nut **5** from the thread using the combination spanner **22**.
- ◆ Remove any tool which is inserted.
- ◆ First push the intended tool through the tensioning nut **5** before inserting it into the appropriate collet chuck **17** for the tool shaft.
- ◆ Press the spindle lock **7** and hold it down.
- ◆ Push the collet chuck **17** into the thread insert and screw the tensioning nut **5** tight with the combination spanner **22**.

NOTE

- ▶ Use the screwdriver side of the combination spanner **22** to undo and tighten the screw on the mandrel **12**.

Switching on and off/setting speed range

Switching on/setting the speed range:

- ◆ Set the ON/OFF switch with the speed control **1** to a position between "1" and "MAX".

Switching off:

- ◆ Set the ON/OFF switch with the speed control **1** to the "OFF" position .

Notes on working with materials/ tools/speed range

- Use the milling bits **19** for working on steel and iron at maximum speed.
- Determine the rotational speed range for working on zinc, zinc alloys, aluminium, copper and lead by trying it out on test pieces.
- Use a low rotational speed for work on plastics and materials with a low melting point.
- Use a high rotational speed for working on wood.
- Carry out cleaning, polishing and buffing work in the medium speed range.

The following are recommendations only and not binding. When carrying out practical work, carry out your own tests to see which tool and which settings are ideal for the material you are working on.

Setting a suitable rotational speed:

Number on the speed control ①	Material being worked	Number on the speed control ①	Material being worked
1-3	Plastics and materials with a low melting point	6	Hardwood
4-5	Stone, ceramics	Max	Steel
5	Soft wood, metal		

Application examples/selecting a suitable tool:

Function	Accessories	Use	Protrusion (min-max) mm
Drilling	HSS drills ①①	Working wood	18-25, using the smallest drill, the protrusion is 10 mm
Milling	Milling bits ①⑨	Various jobs; e.g. creating recesses, hollows, forms, grooves or slits	18-25
Engraving	Engraving bits ②⑩	Labelling, handicraft	18-25
Polishing, rust removal CAUTION! Exert only slight pressure when applying the tool to the workpiece.	Metal brush ①⑤	Rust removal	9-15
	Polishing discs ①③	Various metals and plastics, especially precious metals such as gold and silver	12-18
Cleaning	Synthetic brushes ①⑧	e.g. cleaning hard-to-access plastic housings or the area around a door lock	9-15
Grinding	Grinding discs ①④	Grinding work on stone, wood, fine work on hard materials such as ceramics or alloyed steel	12-18
	Grinding bits ②①		10
Disconnecting	Cutting discs ①⑥ metal	Working metal, plastic and wood	12-18

- Note that the maximum diameter of the grinding assembly, and of grinding cones and pencil grinders with a thread insert, may not exceed 55 mm and the maximum diameter for sand-paper sanding accessories may not exceed 80 mm.

NOTE

- ▶ The max. permissible length of a mandrel is 33 mm.
- Store the accessories in the original box or store the accessory components somewhere else to protect them from damage.
- Store the accessories somewhere dry and not in the vicinity of aggressive media.

Tips and tricks

- If you exert too much pressure, the fitted tool can break and/or the workpiece could be damaged. You will achieve optimum working results by moving the tool over the workpiece at a steady speed and while exerting light pressure.
- When carrying out cutting work, hold the appliance firmly with both hands.
- Observe the data and the information in the table to prevent the end of the spindle from touching the perforated base of the grinding tool.

Maintenance and cleaning

The appliance is maintenance-free.

- Remove all dirt from the appliance. Use a dry cloth to do this.
- At the beginning and end of an extended period of non-use, charge the battery pack **4** fully.
- If a lithium-ion battery is to be stored for an extended period, the charge level should be checked regularly. The optimum charge level is between 50% and 80%. The optimum storage environment is cool and dry.

⚠ WARNING!

- Have the power tool repaired by the service centre or a qualified electrician and only using genuine replacement parts. This will ensure that the safety of the appliance is maintained.

⚠ WARNING!

- Always ensure that the power plug or the mains cable is replaced only by the manufacturer of the appliance or by an approved customer service provider. This will ensure that the safety of the appliance is maintained.

NOTE

- ▶ Replacement parts not listed (such as the rechargeable battery, battery charger) can be ordered via our service hotline.

Disposal



The packaging is made from environmentally friendly material and can be disposed of at your local recycling plant.



Do not dispose of power tools in your normal household waste!

European Directive 2012/19/EU requires that worn-out power tools be collected separately and recycled in an environmentally compatible manner.



Do not dispose of batteries in your normal domestic waste!

⚠ WARNING!

- Remove the battery before disposal.

Defective or worn-out rechargeable batteries must be recycled according to Directive 2006/66/EC. Take the battery pack and/or appliance to a nearby collection facility. Please consult your local authorities regarding suitable disposal of worn out power tools/battery packs.

Kompernass Handels GmbH warranty

Dear Customer,

This appliance has a 3-year warranty valid from the date of purchase. If this product has any faults, you, the buyer, have certain statutory rights. Your statutory rights are not restricted in any way by the warranty described below.

Warranty conditions

The validity period of the warranty starts from the date of purchase. Please keep your original receipt in a safe place. This document will be required as proof of purchase.

If any material or production fault occurs within three years of the date of purchase of the product, we will either repair or replace the product for you at our discretion. This warranty service is dependent on you presenting the defective appliance and

the proof of purchase (receipt) and a short written description of the fault and its time of occurrence.

If the defect is covered by the warranty, your product will either be repaired or replaced by us. The repair or replacement of a product does not signify the beginning of a new warranty period.

Warranty period and statutory claims for defects

The warranty period is not prolonged by repairs effected under the warranty. This also applies to replaced and repaired components. Any damage and defects present at the time of purchase must be reported immediately after unpacking. Repairs carried out after expiry of the warranty period shall be subject to a fee.

Scope of the warranty

This appliance has been manufactured in accordance with strict quality guidelines and inspected meticulously prior to delivery.

The warranty covers material faults or production faults. The warranty does not extend to product parts subject to normal wear and tear or fragile parts such as switches, batteries, baking moulds or parts made of glass.

The warranty does not apply if the product has been damaged, improperly used or improperly maintained. The directions in the operating instructions for the product regarding proper use of the product are to be strictly followed. Uses and actions that are discouraged in the operating instructions or which are warned against must be avoided.

This product is intended solely for private use and not for commercial purposes. The warranty shall be deemed void in cases of misuse or improper handling, use of force and modifications/repairs which have not been carried out by one of our authorised Service centres.

Warranty claim procedure

To ensure quick processing of your case, please observe the following instructions:

- Please have the till receipt and the item number (e.g. IAN 12345) available as proof of purchase.
- You will find the item number on the type plate, an engraving on the front page of the instructions (bottom left), or as a sticker on the rear or bottom of the appliance.
- If functional or other defects occur, please contact the service department listed either by **telephone** or by **e-mail**.
- You can return a defective product to us free of charge to the service address that will be provided to you. Ensure that you enclose the proof of purchase (till receipt) and information about what the defect is and when it occurred.



You can download these instructions along with many other manuals, product videos and software on www.lidl-service.com.

Service

GB Service Great Britain
Tel.: 0871 5000 720 (£ 0.10/Min.)
E-Mail: kompennass@lidl.co.uk

IE Service Ireland
Tel.: 1890 930 034
(0,08 EUR/Min., (peak))
(0,06 EUR/Min., (off peak))
E-Mail: kompennass@lidl.ie

CY Service Cyprus
Tel.: 8009 4409
E-Mail: kompennass@lidl.com.cy

IAN 279872

Importer

Please note that the following address is not the service address. Please use the service address provided in the operating instructions.

KOMPERNASS HANDELS GMBH
BURGSTRASSE 21 • 44867 BOCHUM • GERMANY
www.kompennass.com

Translation of the original Conformity Declaration

We, KOMPERNASS HANDELS GMBH, documents officer: Mr. Semi Uguzlu, BURGSTR. 21, 44867 BOCHUM, Germany, hereby declare that this product complies with the following standards, normative documents and the EC directives:

Machinery Directive
(2006/42/EC)

EC Low Voltage Directive
(2014/35/EU)

EMC (Electromagnetic Compatibility)
(2014/30/EU)

RoHS Directive
(2011/65/EU)

Applied harmonised standards:

EN 60745-1:2009/A11:2010
EN 60745-2-23:2013
EN 55014-1:2006/A2:2011
EN 55014-2:2015
EN 60335-1:2012/A11:2014
EN 60335-2-29:2004/A2:2010
EN 61000-3-2:2014
EN 61000-3-3:2013
EN 62233:2008

Type designation of machine:

Cordless multi-grinder PFBS 12 A1

Year of manufacture: 07-2016

Serial number: IAN 279872

Bochum, 08/06/2016

Semi Uguzlu

- Quality Manager -

The right to effect technical changes in the context of further development is reserved.



Περιεχόμενα

Εισαγωγή	16
Προβλεπόμενη χρήση	16
Εξοπλισμός	16
Παραδοτέος εξοπλισμός.....	16
Τεχνικά χαρακτηριστικά	16
Γενικές υποδείξεις ασφαλείας για ηλεκτρικά εργαλεία	17
1. Ασφάλεια στο χώρο εργασίας.....	17
2. Ηλεκτρική ασφάλεια.....	18
3. Ασφάλεια από μων	18
4. Χρήση και χειρισμός του ηλεκτρικού εργαλείου	19
5. Χρήση και χειρισμός του επαναφορτιζόμενου εργαλείου	19
6. Σέρβις	19
Υποδείξεις ασφαλείας για όλες τις χρήσεις.....	20
Περισσότερες υποδείξεις ασφαλείας για όλες τις χρήσεις	21
Επιπρόσθετες υποδείξεις ασφαλείας για λείανση και αποκοπή με λείανση	22
Επιπρόσθετες υποδείξεις ασφαλείας για την εργασία με συρματοβουρτσες	23
Υποδείξεις ασφαλείας για φορτιστές.....	23
Χειρισμός	24
Φόρτιση συστοιχίας συσσωρευτών	24
Τοποθέτηση/Απομάκρυνση συστοιχίας συσσωρευτών στη/από τη συσκευή	24
Ανάγνωση κατάστασης συσσωρευτών	24
Τοποθέτηση/Αλλαγή εργαλείου/λαβίδας σύσφιξης	24
Ενεργοποίηση και απενεργοποίηση/Ρύθμιση εύρους αριθμού στροφών.....	25
Υποδείξεις για την επεξεργασία υλικού/Εργαλείο/Εύρος αριθμού στροφών	25
Υποδείξεις και τεχνάσματα.....	27
Συντήρηση και καθαρισμός	27
Απόρριψη	28
Εγγύηση της Kompernass Handels GmbH	28
Σέρβις	30
Εισαγωγέας	30
Μετάφραση της Πρωτότυπης Δήλωση συμμόρφωσης	30

ΣΥΣΚΕΥΗ ΛΕΙΑΝΣΗΣ ΚΑΙ ΔΙΑΤΡΗΣΗΣ ΜΠΑΤΑΡΙΑΣ PFBS 12 A1

Εισαγωγή

Σας συγχαίρουμε για την αγορά της νέας σας συσκευής. Αποφασίσατε έτσι για την απόκτηση ενός προϊόντος υψηλής ποιότητας. Οι οδηγίες χρήσης είναι τμήμα αυτού του προϊόντος. Περιέχουν σημαντικές υποδείξεις για την ασφάλεια, τη χρήση και την απόρριψη. Πριν από τη χρήση του προϊόντος, εξοικειωθείτε με όλες τις υποδείξεις χειρισμού και ασφάλειας. Χρησιμοποιείτε το προϊόν μόνο όπως περιγράφεται και για τους αναφερόμενους τομείς χρήσης. Παραδώστε όλα τα έγγραφα σε περίπτωση παράδοσης του προϊόντος σε τρίτους.

Προβλεπόμενη χρήση

Η επαναφορτιζόμενη συσκευή λείανσης και διάτρησης πρέπει να χρησιμοποιείται με αντίστοιχα αξεσουάρ (όπως αποστέλλονται μαζί) για εργασίες διάτρησης, φρεζαρίσματος, χάραξης, στίλβωσης, καθαρισμού, τροχίσματος, αποκοπής ξύλου, μετάλλων, πλαστικού, κεραμικών ή πέτρας σε στεγνούς χώρους. Κάθε άλλη χρήση ή μετατροπή της συσκευής ισχύει ως μη σύμφωνη με τους κανονισμούς και ενέχει σημαντικούς κινδύνους ατυχημάτων. Για βλάβες από χρήση μη σύμφωνη με τους κανονισμούς, ο κατασκευαστής δεν αναλαμβάνει καμία ευθύνη. Η συσκευή δεν προορίζεται για επαγγελματική χρήση.

Εξοπλισμός

Επαναφορτιζόμενη συσκευή λείανσης και διάτρησης:

- 1 Διακόπτης On/Off/Ρύθμιση αριθμού στροφών
- 2 LED συσσωρευτών
- 3 Πλήκτρο απασφάλισης συσσωρευτών
- 4 Συστοιχία συσσωρευτών
- 5 Περικόχλιο συγκράτησης
- 6 Περικόχλιο σύνδεσης
- 7 Ασφάλιση ατράκτου

Διάταξη φόρτισης συσσωρευτή (βλ. Εικ. Α):

- 8 Υποδοχή φόρτισης
- 9 Τροφοδοτικό
- 10 Ενδειξη κατάστασης φόρτισης κόκκινη
- 10a Ενδειξη κατάστασης φόρτισης πράσινη

Αξεσουάρ (βλ. Εικ. Β):

- 11 6 τρυπάνια HSS
- 12 2 άζονες σύσφιξης για την υποδοχή των εργαλείων
- 13 3 δίσκοι στίλβωσης
- 14 4 δίσκοι τροχίσματος
- 15 1 μεταλλική βούρτσα
- 16 16 δίσκοι κοπής
- 17 5 λαβίδες σύσφιξης
- 18 2 πλαστικές βούρτσες
- 19 3 μύτες φρεζαρίσματος
- 20 2 μύτες χάραξης
- 21 5 μύτες τροχίσματος
- 22 1 κλειδί συνδυασμού

Παραδοτέος εξοπλισμός


- 1 ΣΥΣΚΕΥΗ ΛΕΙΑΝΣΗΣ ΚΑΙ ΔΙΑΤΡΗΣΗΣ ΜΠΑΤΑΡΙΑΣ
- 1 Υποδοχή φόρτισης με τροφοδοτικό
- 1 Σετ αξεσουάρ (50 τεμάχια)
- 1 Οδηγίες χρήσης

Τεχνικά χαρακτηριστικά

Μοντέλο PFBS 12 A1:

Τάση μέτρησης: 12 V \equiv (συνεχές ρεύμα)
 Αριθμός στροφών ρελαντί μέτρησης: n 5000-25000 / min¹
 Μέγ. Ø δίσκων: 25 mm

Εύρος σύσφιξης τσοκ:

 μέγ. Ø 3,2 mm

Συστοιχία συσσωρευτών PFBS 12 A1-1:

ΕΙΣΟΔΟΣ / Input:

Τάση μέτρησης: 12 V \equiv (συνεχές ρεύμα)
 Απόδοση: 1300 mAh
 Τύπος: ΛΙΘΙΟΥ-ΙΟΝΤΩΝ

Φορτιστής PFBS 12 A1-2:

Πρωταρχικό (Είσοδος/ Input):

Τάση μέτρησης: 100-240 V~, 50-60 Hz
(εναλλασσόμενο ρεύμα)

Κατανάλωση μέτρησης: 0,3 A

Δευτερεύον (Έξοδος / Output):

Τάση μέτρησης: 14,5 V === (συνεχές ρεύμα)

Ρεύμα μέτρησης: 450 mA

Διάρκεια φόρτισης: περ. 3 ώρες

Κατηγορία προστασίας: II/□ (διπλή μόνωση)

Τιμή εκπομπών θορύβου:

Τιμή μέτρησης για θόρυβο διακριβωμένη σύμφωνα με το EN 60745. Το επίπεδο θορύβου Α-στάθμισης του ηλεκτρικού εργαλείου ανέρχεται συνήθως:

Στάθμη ηχητικής πίεσης: $L_{PA} = 60,5 \text{ dB (A)}$

Αβεβαιότητα: $K_{PA} = 3 \text{ dB}$

Στάθμη ηχητικής απόδοσης: $L_{WA} = 71,5 \text{ dB (A)}$

Αβεβαιότητα K: $K_{WA} = 3 \text{ dB}$

Φοράτε προστασία για την ακοή!

Συνολική τιμή κραδασμών:

$a_h = 1,07 \text{ m/s}^2$

Αβεβαιότητα K: $1,5 \text{ m/s}^2$

ΥΠΟΔΕΙΞΗ

- Το αναφερόμενο σε αυτές τις οδηγίες επίπεδο κραδασμών έχει μετρηθεί σύμφωνα με μια τυποποιημένη διαδικασία μέτρησης και μπορεί να χρησιμοποιείται για τη σύγκριση συσκευών. Η αναφερόμενη τιμή εκπομπής κραδασμών μπορεί επίσης να χρησιμοποιείται για μια αρχική εκτίμηση της έκθεσης.

ΠΡΟΕΙΔΟΠΟΙΗΣΗ!

- Το επίπεδο κραδασμών θα αλλάξει σύμφωνα με τη χρήση του ηλεκτρικού εργαλείου και σε ορισμένες περιπτώσεις μπορεί να βρίσκεται πάνω από την αναφερόμενη σε αυτές τις οδηγίες τιμή. Το φορτίο κραδασμών θα μπορούσε να υποτιμηθεί, εάν το ηλεκτρικό εργαλείο χρησιμοποιείται τακτικά με αυτό τον τρόπο. Προσπαθήτε να κρατάτε την επιβάρυνση λόγω δονήσεων όσο το δυνατόν μικρότερη. Παραδειγματικά μέτρα μείωσης της επιβάρυνσης λόγω δονήσεων είναι η χρήση γαντιών κατά τη χρήση του εργαλείου και ο περιορισμός του χρόνου εργασίας. Εδώ πρέπει να συνυπολογίζονται όλα τα μέρη του κύκλου εργασίας (παραδείγματος χάριν χρόνοι, κατά τους οποίους το ηλεκτρικό εργαλείο είναι απενεργοποιημένο, και χρόνοι, κατά τους οποίους είναι μεν ενεργοποιημένο, αλλά λειτουργεί χωρίς φορτίο).

Γενικές υποδείξεις ασφαλείας για ηλεκτρικά εργαλεία



ΠΡΟΕΙΔΟΠΟΙΗΣΗ!

- Διαβάστε όλες τις υποδείξεις ασφαλείας και τις οδηγίες. Παραλείψεις κατά την τήρηση των υποδείξεων ασφαλείας και των οδηγιών μπορούν να προκαλέσουν ηλεκτροπληξία, πυρκαγιά και/ή σοβαρούς τραυματισμούς.



Φυλάξτε όλες τις υποδείξεις ασφαλείας και τις οδηγίες για το μέλλον.

Ο χρησιμοποιούμενος σε αυτές τις υποδείξεις ασφαλείας όρος «Ηλεκτρικό εργαλείο» αναφέρεται σε ηλεκτρικά εργαλεία (με καλώδιο) που λειτουργούν με ρεύμα και σε ηλεκτρικά εργαλεία (χωρίς καλώδιο) που λειτουργούν μέσω συσσωρευτή.

1. Ασφάλεια στο χώρο εργασίας


- Διατηρείτε το χώρο εργασίας σας καθαρό και καλά φωτισμένο. Η ακαταστασία και οι μη φωτισμένοι χώροι εργασίας μπορούν να οδηγήσουν σε ατυχήματα.

- β) Μην εργάζεστε με το ηλεκτρικό εργαλείο σε περιβάλλον, όπου υπάρχει κίνδυνος έκρηξης, εύφλεκτα υγρά, αέρια ή σκόνης. Τα ηλεκτρικά εργαλεία δημιουργούν σπινθήρες, οι οποίοι μπορούν να προκαλέσουν ανάφλεξη στη σκόνη ή στους ατμούς.
- γ) Κρατάτε τα παιδιά και άλλα άτομα μακριά κατά τη χρήση του ηλεκτρικού εργαλείου. Σε περίπτωση διάσπασης της προσοχής, μπορεί να χάσετε τον έλεγχο της συσκευής.

2. Ηλεκτρική ασφάλεια

- α) Το βύσμα σύνδεσης του ηλεκτρικού εργαλείου πρέπει να ταιριάζει στην πρίζα. Το βύσμα δεν επιτρέπεται να τροποποιηθεί με κανέναν τρόπο.
Μη χρησιμοποιείτε βύσματα ανταπτόρων μαζί με γειωμένα ηλεκτρικά εργαλεία. Τα βύσματα που δεν έχουν τροποποιηθεί και οι κατάλληλες πρίζες μειώνουν τον κίνδυνο ηλεκτροπληξίας.
- β) Αποφεύγετε τη σωματική επαφή με γειωμένες επιφάνειες, όπως σωλήνες, θερμαντικά σώματα, εστίες και ψυγεία. Υπάρχει αυξημένος κίνδυνος λόγω ηλεκτροπληξίας όταν το σώμα σας είναι γειωμένο.
- γ) Κρατάτε τα ηλεκτρικά εργαλεία μακριά από βροχή ή υγρασία. Η διείσδυση νερού σε μια ηλεκτρική συσκευή αυξάνει τον κίνδυνο ηλεκτροπληξίας.
- δ) Μη χρησιμοποιείτε το καλώδιο άσκοπα, π.χ. για να μεταφέρετε το ηλεκτρικό εργαλείο, να το κρεμάσετε ή για να τραβήξετε το βύσμα από την πρίζα. Κρατάτε το καλώδιο μακριά από υψηλές θερμοκρασίες, λάδια, αιχμηρές άκρες ή κινούμενα τμήματα της συσκευής. Τα φθαρμένα ή μπερδεμένα καλώδια αυξάνουν τον κίνδυνο ηλεκτροπληξίας.
- ε) Όταν εργάζεστε με ένα ηλεκτρικό εργαλείο σε εξωτερικό χώρο, χρησιμοποιείτε μόνο καλώδια επέκτασης, τα οποία έχουν εγκριθεί για εξωτερικούς χώρους. Η χρήση κατάλληλου καλωδίου επέκτασης για εξωτερικό χώρο μειώνει τον κίνδυνο ηλεκτροπληξίας.
- στ) Εάν δεν μπορεί να αποφευχθεί η λειτουργία του ηλεκτρικού εργαλείου σε υγρό περιβάλλον, χρησιμοποιείτε διακόπτη ασφαλείας. Η χρήση διακόπτη ασφαλείας μειώνει τον κίνδυνο ηλεκτροπληξίας.

3. Ασφάλεια ατόμων

- α) Να είστε πάντα προσεκτικοί, προσέχετε τι κάνετε και χρησιμοποιείτε τη λογική όταν εργάζεστε με ένα ηλεκτρικό εργαλείο. Μη χρησιμοποιείτε ηλεκτρικά εργαλεία εάν είστε κουρασμένοι ή υπό την επήρεια ναρκωτικών, αλκοόλ ή φαρμάκων. Ένα μόνο λεπτό απροσεξίας κατά τη χρήση του ηλεκτρικού εργαλείου αρκεί για να οδηγήσει σε σοβαρούς τραυματισμούς.
- β)  **Φοράτε ατομικό προστατευτικό εξοπλισμό και πάντα γυαλιά προστασίας.** Όταν φοράτε ατομικό προστατευτικό εξοπλισμό, όπως μάσκα για τη σκόνη, αντιολισθητικά υποδήματα ασφαλείας, κράνος ή προστασία για την ακοή, ανάλογα με το είδος και τη χρήση του ηλεκτρικού εργαλείου, μειώνεται ο κίνδυνος τραυματισμών.
- γ) Αποφεύγετε μια μη ηθελημένη θέση σε λειτουργία. Βεβαιώνετε ότι το ηλεκτρικό εργαλείο έχει απενεργοποιηθεί, προτού το συνδέσετε στην τροφοδοσία ρεύματος και/ή το συσσωρευτή, το σηκώσετε ή το μεταφέρετε. Όταν μεταφέρετε το ηλεκτρικό εργαλείο και έχετε το δάχτυλο στο διακόπτη ή εάν έχετε συνδέσει την ήδη ενεργοποιημένη συσκευή στην παροχή ρεύματος, αυτό μπορεί να οδηγήσει σε ατυχήματα.
- δ) Απομακρύνετε εργαλεία ρύθμισης ή μηχανικά κλειδιά πριν ενεργοποιήσετε το ηλεκτρικό εργαλείο. Ένα εργαλείο ή κλειδί, το οποίο βρίσκεται σε ένα περιστρεφόμενο τμήμα της συσκευής, μπορεί να οδηγήσει σε τραυματισμούς.
- ε) Αποφεύγετε μια λάθος στάση του σώματος. Φροντίζετε για μια ασφαλή στάση και διατηρείτε πάντα την ισορροπία. Έτσι μπορείτε να ελέγχετε το ηλεκτρικό εργαλείο καλύτερα σε μη αναμενόμενες καταστάσεις.
- στ) Φοράτε κατάλληλο ρουχισμό. Μη φοράτε μακριά ρούχα ή κοσμήματα. Κρατάτε τα μαλλιά, τα ρούχα και τα γάντια μακριά από κινούμενα τμήματα. Τα χαλαρά ρούχα, τα κοσμήματα ή τα μακριά μαλλιά μπορούν να πιαστούν από κινούμενα τμήματα.
- ζ) Εάν μπορούν να συναρμολογηθούν διατάξεις απορρόφησης και συλλογής σκόνης, βεβαιώνετε ότι αυτές έχουν συνδεθεί και χρησιμοποιούνται σωστά. Η χρήση μιας διάταξης απορρόφησης σκόνης μπορεί να μειώσει τους κινδύνους από τη σκόνη.

4. Χρήση και χειρισμός του ηλεκτρικού εργαλείου

- α) Μην υπερφορτώνετε τη συσκευή. Χρησιμοποιείτε για την εργασία σας το αντίστοιχο ηλεκτρικό εργαλείο. Με το κατάλληλο ηλεκτρικό εργαλείο εργάζεστε καλύτερα και ασφαλέστερα στο δοθέν πεδίο απόδοσης.
- β) Μη χρησιμοποιείτε ηλεκτρικά εργαλεία, των οποίων ο διακόπτης είναι ελαττωματικός. Ένα ηλεκτρικό εργαλείο, το οποίο δεν μπορεί πλέον να ενεργοποιηθεί ή απενεργοποιηθεί, είναι επικίνδυνο και πρέπει να επισκευαστεί.
- γ) Τραβάτε το βύσμα από την πρίζα και/ή απομακρύνετε το συσσωρευτή πριν διεξάγετε ρυθμίσεις στη συσκευή, πριν αλλάξετε εξαρτήματα ή πριν φυλάξετε τη συσκευή. Αυτό το μέτρο ασφαλείας εμποδίζει τη μη ηθελημένη εκκίνηση του ηλεκτρικού εργαλείου.
- δ) Φυλάτε τα μη χρησιμοποιούμενα ηλεκτρικά εργαλεία εκτός εμβέλειας των παιδιών. Μην επιτρέπετε να χρησιμοποιούν τη συσκευή άτομα, τα οποία δεν έχουν εξοικειωθεί μαζί της ή δεν έχουν διαβάσει αυτές τις οδηγίες. Τα ηλεκτρικά εργαλεία είναι επικίνδυνα όταν χρησιμοποιούνται από άπειρα άτομα.
- ε) Φροντίζετε τα ηλεκτρικά εργαλεία με προσοχή. Ελέγχετε εάν τα κινούμενα μέρη λειτουργούν σωστά και δεν κολλάνε, εάν κάποια μέρη έχουν σπάσει ή παρουσιάζουν τέτοια βλάβη, ώστε να επηρεάζεται η λειτουργία του ηλεκτρικού εργαλείου. Τα εξαρτήματα με βλάβη πρέπει να επισκευάζονται πριν από τη χρήση της συσκευής. Η αιτία πολλών ατυχημάτων οφείλεται στην κακή συντήρηση των ηλεκτρικών εργαλείων.
- στ) Διατηρείτε τα εργαλεία κοπής αιχμηρά και καθαρά. Τα προσεκτικά φροντισμένα εργαλεία κοπής με αιχμηρές ακμές κοπής κολλάνε λιγότερο και είναι ευκολότερα στο χειρισμό.
- ζ) Χρησιμοποιείτε το ηλεκτρικό εργαλείο, τα εξαρτήματα, τα εργαλεία χρήσης, κλπ., σύμφωνα με αυτές τις οδηγίες. Λαμβάνετε υπόψη τις συνθήκες εργασίας και την προς διεξαγωγή ενέργεια. Η χρήση ηλεκτρικών εργαλείων για διαφορετικές από τις προβλεπόμενες χρήσεις μπορεί να οδηγήσει σε επικίνδυνες καταστάσεις.

5. Χρήση και χειρισμός του επαναφορτιζόμενου εργαλείου

- α) Φορτίζετε τους συσσωρευτές μόνο με φορτιστές που προτείνει ο κατασκευαστής. Για φορτιστές κατάλληλους για έναν καθορισμένο τύπο συσσωρευτών, υπάρχει κίνδυνος πυρκαγιάς όταν χρησιμοποιούνται με άλλους συσσωρευτές.
- β) Χρησιμοποιείτε μόνο τους προβλεπόμενους συσσωρευτές στα ηλεκτρικά εργαλεία. Η χρήση άλλων συσσωρευτών μπορεί να οδηγήσει σε τραυματισμούς και πυρκαγιά.
- γ) Κρατάτε το μη χρησιμοποιούμενο συσσωρευτή μακριά από συνδετήρες, νομίσματα, κλειδιά, καρφιά, βίδες ή άλλα μικρά μεταλλικά αντικείμενα, τα οποία μπορούν να προκαλέσουν υπερεγύρωση των επαφών. Ένα βραχυκύκλωμα μεταξύ των επαφών του συσσωρευτή μπορεί να έχει ως επακόλουθο εγκαύματα ή πυρκαγιά.
- δ) Σε περίπτωση εσφαλμένης χρήσης, μπορεί να εξέλθει υγρό από το συσσωρευτή. Αποφεύγετε την επαφή με το υγρό. Σε περίπτωση τυχαίας επαφής, ξεπλύνετε με νερό. Εάν το υγρό έλθει σε επαφή με τα μάτια, ζητήστε επιπλέον ιατρική βοήθεια. Το εκρέον υγρό των συσσωρευτών μπορεί να προκαλέσει δερματικούς ερεθισμούς ή εγκαύματα.



ΠΡΟΣΟΧΗ! ΚΙΝΔΥΝΟΣ ΕΚΡΗΞΗΣ!

Μη φορτίζετε ποτέ μη επαναφορτιζόμενες μπαταρίες.



Προστατεύετε το συσσωρευτή από υψηλή θερμοκρασία, π.χ. και από συνεχή ηλιακή ακτινοβολία, φωτιά, νερό και υγρασία. Υπάρχει κίνδυνος έκρηξης.



6. Σέρβις

- α) Το ηλεκτρικό σας εργαλείο πρέπει να επισκευάζεται μόνο από εξειδικευμένο ειδικό προσωπικό και μόνο με γνήσια ανταλλακτικά. Έτσι διατηρείται η ασφάλεια του ηλεκτρικού εργαλείου.

Υποδείξεις ασφαλείας για όλες τις χρήσεις

Συνολικές υποδείξεις ασφαλείας για λείανση, λείανση με γυαλόχαρτο, εργασίες με συρματόβουρτσες, γυάλισμα, φρεζάρισμα και αποκοπή με λείανση:

- α) Αυτό το ηλεκτρικό εργαλείο προορίζεται ως διάταξη λείανσης, λείανσης με γυαλόχαρτο, συρματόβουρτσα, στιλβωτική μηχανή, για φρεζάρισμα και ως μηχανή κοπής με λειαντικούς δίσκους τριβής. Λάβετε υπόψη σας όλες τις υποδείξεις ασφαλείας, τις οδηγίες, τις απεικονίσεις και τα δεδομένα, τα οποία λαμβάνετε μαζί με τη συσκευή. Σε περίπτωση μη τήρησης των παρακάτω οδηγιών, ίσως έρθετε αντιμέτωποι με ηλεκτροπληξία, φωτιά και/ή σοβαρούς τραυματισμούς.
- β) Απαγορεύεται η χρήση εξαρτημάτων, τα οποία δεν προβλέπονται εκ μέρους του κατασκευαστή ειδικά για αυτό το ηλεκτρικό εργαλείο. Το γεγονός ότι το εξάρτημα μπορεί να στερεωθεί σε ηλεκτρικό εργαλείο, δεν μπορεί να διασφαλίσει την ασφαλή χρήση.
- γ) Ο επιτρεπόμενος αριθμός στροφών του εργαλείου εφαρμογής πρέπει να είναι τουλάχιστον ίσος με αυτόν που αναφέρεται στο ηλεκτρικό εργαλείο ως μέγιστος αριθμός στροφών. Τα εξαρτήματα, τα οποία περιστρέφονται πιο γρήγορα από ότι επιτρέπεται, ίσως σπάσουν και εκτιναχθούν.
- δ) Η εξωτερική διάμετρος και το πάχος του εργαλείου εφαρμογής πρέπει να ανταποκρίνονται στα στοιχεία διαστάσεων του ηλεκτρικού εργαλείου σας. Τα εργαλεία εφαρμογής με λάθος διαστάσεις δεν μπορούν να θωρακιστούν ή να ελεγχθούν επαρκώς.
- ε) Οι λειαντικοί τροχοί, οι κύλινδροι λείανσης ή τα άλλα εξαρτήματα πρέπει να ταιριάζουν με ακρίβεια στην άτρακτο λείανσης ή στη λαβίδα σύσφιξης του ηλεκτρικού εργαλείου σας. Τα εργαλεία εφαρμογής, τα οποία δεν εφαρμόζουν με ακρίβεια στην υποδοχή του ηλεκτρικού εργαλείου, περιστρέφονται ανομοιόμορφα, δονούνται πολύ και ίσως οδηγήσουν σε απώλεια ελέγχου.

- στ) Δίσκοι, κύλινδροι λείανσης, εργαλεία κοπής ή άλλα εξαρτήματα που είναι συναρμολογημένα επάνω σε έναν άξονα πρέπει να τοποθετούνται πλήρως στη λαβίδα σύσφιξης ή στο τσοκ. Η «προεξοχή» ή το ελεύθερα κείμενο τμήμα του άξονα μεταξύ σώματος τροχίσματος και λαβίδας σύσφιξης ή τσοκ πρέπει να είναι το ελάχιστο. Εάν ο άξονας δεν σφιχτεί επαρκώς ή εάν το σώμα τροχίσματος προεξέχει πολύ, το εργαλείο εφαρμογής μπορεί να λασκάρει και να εκτοξευθεί με υψηλή ταχύτητα.
- η) Απαγορεύεται η χρήση ελαστωματικών εργαλείων εφαρμογής. Πριν από κάθε χρήση, ελέγχετε τα εργαλεία εφαρμογής, όπως τους λειαντικούς τροχούς, για σπασίματα και ρωγμές, τους κυλίνδρους λείανσης για ρωγμές, βλάβες ή σημάδια μεγάλης φθοράς, τις συρματόβουρτσες για χαλαρά ή σπασμένα σύρματα. Σε περίπτωση πτώσης του ηλεκτρικού εργαλείου ή του εργαλείου εφαρμογής, ελέγξτε αν έχει καταστραφεί ή χρησιμοποιήστε ένα άθικτο εργαλείο εφαρμογής. Εφόσον ελέγξετε και τοποθετήσετε το εργαλείο εφαρμογής, κρατηθείτε τόσο εσείς όσο και τα πλησίον ευρισκόμενα άτομα εκτός της περιοχής του περιστρεφόμενου εργαλείου εφαρμογής και αφήστε τη συσκευή να λειτουργήσει για ένα λεπτό στο μέγιστο αριθμό στροφών. Τα φθαρμένα εργαλεία εφαρμογής σπάνε συνήθως κατά το δοκιμαστικό χρόνο.
- θ) Φοράτε ατομικό προστατευτικό εξοπλισμό. Φοράτε, αναλόγως της χρήσης, προστασία ολόκληρου του προσώπου, προστασία για τα μάτια ή προστατευτικά γυαλιά. Εφόσον πρέπει, φοράτε μάσκα προστασίας από τη σκόνη, ωτοασπίδες, προστατευτικά γάντια ή ειδική ποδιά, τα οποία κρατάνε μακριά τα μικρά τεμάχια λείανσης και υλικού. Τα μάτια πρέπει να προστατεύονται από τα ζένα σωματίδια που εκτινάσσονται και τα οποία δημιουργούνται από διάφορες εφαρμογές. Οι μάσκες προστασίας από τη σκόνη ή οι αναπνευστικές μάσκες πρέπει να φιλτράρουν τη σκόνη που δημιουργείται κατά την εφαρμογή. Σε περίπτωση έκθεσης επί μακρόν σε δυνατό θόρυβο, ίσως επηρεαστεί η ακοή σας.

- ι) Φροντίστε ώστε τα άλλα άτομα να βρίσκονται σε απόσταση ασφαλείας από την περιοχή εργασίας σας. Όλα τα άτομα, τα οποία εισέρχονται μέσα στην περιοχή εργασίας, πρέπει να φοράνε ατομικό προστατευτικό εξοπλισμό. Τα θραύσματα των τεμαχίων επεξεργασίας ή τα σπασμένα εργαλεία εφαρμογής ίσως εκτιναχθούν και προκαλέσουν τραυματισμούς και εκτός του άμεσου τομέα εργασίας.
- κ) Πιάνετε τη συσκευή μόνο από τις μονωμένες επιφάνειες των λαβών, όταν διεξάγετε εργασίες, κατά τις οποίες το εργαλείο εφαρμογής μπορεί να συναντήσει κρυμμένους αγωγούς ρεύματος ή το ίδιο το καλώδιο δικτύου. Η επαφή με ένα ρευματοφόρο αγωγό θέτει υπό τάση ακόμη και μεταλλικά τμήματα της συσκευής προκαλώντας ηλεκτροπληξία.
- λ) Κατά την εκκίνηση, κρατάτε πάντα το ηλεκτρικό εργαλείο σφιχτά και σωστά. Κατά τη θέση σε λειτουργία σε πλήρη αριθμό στροφών, ενδέχεται η ροπή αντίδρασης του κινητήρα να προκαλέσει συστροφή του ηλεκτρικού εργαλείου.
- μ) Εάν είναι δυνατό, χρησιμοποιήστε μέγιστη δύναμη να στερεώσετε το τεμάχιο επεξεργασίας. Κατά τη χρήση, ποτέ μην κρατάτε ένα μικρό τεμάχιο επεξεργασίας στο ένα χέρι και το ηλεκτρικό εργαλείο στο άλλο. Μέσω της σύσφιξης μικρών τεμαχίων επεξεργασίας, έχετε ελεύθερα και τα δύο χέρια για καλύτερο έλεγχο του ηλεκτρικού εργαλείου. Κατά την κοπή στρογγυλών τεμαχίων επεξεργασίας, όπως ξύλινων πείρων, ράβδων ή σωλήνων, αυτά τα είδη τείνουν να κυλάνε, οπότε το εργαλείο εφαρμογής μπορεί να μαγκώσει και να σας χτυπήσει.
- ν) Κρατάτε το καλώδιο σύνδεσης μακριά από τα περιστρεφόμενα εργαλεία εφαρμογής. Σε περίπτωση απώλειας ελέγχου της συσκευής, υπάρχει πιθανότητα κοψίματος ή πιασίματος του καλωδίου και εισχώρησης της παλάμης ή του χεριού σας μέσα στο περιστρεφόμενο εργαλείο εφαρμογής.
- ξ) Απαγορεύεται αυστηρά η απόθεση του ηλεκτρικού εργαλείου, προτού το εργαλείο εφαρμογής ακινητοποιηθεί πλήρως. Το περιστρεφόμενο εργαλείο εφαρμογής μπορεί να έρθει σε επαφή με την επιφάνεια απόθεσης, γεγονός που ίσως οδηγήσει σε απώλεια ελέγχου του ηλεκτρικού εργαλείου.
- ο) Μετά την αλλαγή εργαλείων εφαρμογής ή μετά από ρυθμίσεις στη συσκευή, σφίγγετε καλά το παξιμάδι της λαβίδας σύσφιξης, το σοκ ή άλλα στοιχεία στερέωσης. Χαλαρά στοιχεία στερέωσης ενδέχεται να μετατοπιστούν απρόσμενα και να οδηγήσουν σε απώλεια του ελέγχου. Μη στερεωμένα, περιστρεφόμενα στοιχεία εκτοξεύονται με δύναμη.
- π) Μην αφήνετε το ηλεκτρικό εργαλείο να λειτουργεί, ενώ το μεταφέρετε. Τα ρούχα σας μπορεί να πιαστούν, λόγω τυχαίας επαφής στο περιστρεφόμενο εργαλείο εφαρμογής, και το εργαλείο εφαρμογής μπορεί να τρυπήσει το σώμα σας.
- ρ) Καθαρίζετε τακτικά τις οπές αερισμού του ηλεκτρικού σας εργαλείου. Ο φυσητήρας κινητήρα τραβάει σκόνη μέσα στο περίβλημα και η μεγάλη συκέντρωση μεταλλικής σκόνης μπορεί να προκαλέσει ηλεκτρικό κίνδυνο.
- σ) Μη χρησιμοποιείτε το ηλεκτρικό εργαλείο κοντά σε εύφλεκτα υλικά. Οι σπινθήρες μπορεί να αναφλέξουν αυτά τα υλικά.
- τ) Μη χρησιμοποιείτε εργαλεία εφαρμογής, τα οποία απαιτούν υγρά ψυκτικά μέσα. Η χρήση νερού ή άλλων υγρών ψυκτικών μέσων μπορεί να οδηγήσει σε ηλεκτροπληξία.

Περισσότερες υποδείξεις ασφαλείας για όλες τις χρήσεις

Αντεπιστροφή και αντίστοιχες υποδείξεις ασφαλείας

Αντεπιστροφή είναι η ξαφνική αντίδραση λόγω ενός μαγκωμένου ή μπλοκαρισμένου περιστρεφόμενου εργαλείου εφαρμογής, όπως είναι ο λειαντικός τροχός, ο ιμάντας λείανσης, η συρματόβουρτσα, κλπ. Μάγκωμα ή μπλοκάρισμα οδηγούν σε απότομο σταμάτημα του περιστρεφόμενου εργαλείου εφαρμογής. Έτσι, το μη ελεγχόμενο ηλεκτρικό εργαλείο επιταχύνεται προς την κατεύθυνση περιστροφής του εργαλείου εφαρμογής.

Όταν, π.χ., ένας δίσκος λείανσης μαγκώσει ή μπλοκάρει στο τεμάχιο επεξεργασίας, η ακμή του δίσκου λείανσης που βυθίζεται στο τεμάχιο επεξεργασίας μπορεί να πιαστεί και έτσι να σπάσει ο δίσκος λείανσης ή να προκαλέσει αντεπιστροφή.

Ο δίσκος λείανσης κινείται στη συνέχεια προς το χειριστή ή μακριά από αυτόν, ανάλογα με την κατεύθυνση περιστροφής του δίσκου στο σημείο μπλοκαρίσματος. Οι δίσκοι λείανσης μπορεί τότε να σπάσουν.

Η αντεπιστροφή είναι το επακόλουθο λάθους ή ελλιπούς χρήσης του ηλεκτρικού εργαλείου. Μπορεί να εμποδιστεί μέσω κατάλληλων προληπτικών μέτρων, όπως περιγράφεται κατωτέρω.

- α) Κρατάτε το ηλεκτρικό εργαλείο σφιχτά και τοποθετείτε το σώμα και τους βραχίονες σας σε μια θέση, στην οποία θα μπορείτε να δέξεστε τις δυνάμεις αντεπιστροφής. Ο χειριστής μπορεί να ελέγχει τις δυνάμεις αντεπιστροφής με κατάλληλα προληπτικά μέτρα.
- β) **Να εργάζεστε ιδιαίτερα προσεκτικά κοντά σε γωνίες, αιχμηρές ακμές, κλπ. Εμποδίζετε αναπήδηση και μάγκωμα των εργαλείων εφαρμογής από το τεμάχιο επεξεργασίας.** Το περιστρεφόμενο εργαλείο εφαρμογής τείνει να μαγκώνει σε γωνίες, αιχμηρές ακμές ή όταν αναπηδάει. Αυτό προκαλεί απώλεια του ελέγχου ή αντεπιστροφή.
- γ) **Μη χρησιμοποιείτε λεπίδες πριονιού με οδοντώσεις.** Αυτά τα εργαλεία εφαρμογής προκαλούν συχνά αντεπιστροφή ή απώλεια του ελέγχου του ηλεκτρικού εργαλείου.
- δ) **Οδηγείτε το εργαλείο εφαρμογής πάντα στην ίδια κατεύθυνση στο υλικό, όπου η ακμή κοπής τελειώνει στο υλικό (αντιστοιχεί στην ίδια κατεύθυνση, στην οποία εκτοξεύονται τα ρινίδια).** Οδήγηση του ηλεκτρικού εργαλείου στη λάθος κατεύθυνση επιφέρει απότομη έξοδο της ακμής κοπής του εργαλείου εφαρμογής από το τεμάχιο επεξεργασίας, οπότε και το ηλεκτρικό εργαλείο τραβιέται σε αυτή την κατεύθυνση προώθησης.
- ε) **Κατά τη χρήση περιστρεφόμενης λίμας, δίσκων κοπής, εργαλείων φρεζαρίσματος υψηλής ταχύτητας ή εργαλείων φρεζαρίσματος σκληρού μετάλλου, στερεώνετε πάντα σφιχτά το τεμάχιο επεξεργασίας.** Ήδη με ελάχιστη κλίση στην εγκοπή, αυτά τα εργαλεία εφαρμογής μαγκώνουν και μπορεί να προκαλέσουν αντεπιστροφή. Σε περίπτωση μαγκώματος ενός δίσκου κοπής, συνήθως αυτός σπάει.

Σε περίπτωση μαγκώματος περιστρεφόμενης λίμας, εργαλείων φρεζαρίσματος υψηλής ταχύτητας ή εργαλείων φρεζαρίσματος σκληρού μετάλλου, το εξάρτημα εργαλείου ενδέχεται να αναπηδήσει από την εγκοπή και να οδηγήσει σε απώλεια του ελέγχου του ηλεκτρικού εργαλείου.

Επιπρόσθετες υποδείξεις ασφαλείας για λείανση και αποκοπή με λείανση

Ειδικές υποδείξεις ασφαλείας για λείανση και αποκοπή με λείανση:

- α) Χρησιμοποιείτε αποκλειστικά τα εγκεκριμένα λειαντικά σώματα για το ηλεκτρικό σας εργαλείο και μόνο για τις προτεινόμενες δυνατότητες χρήσης. Παράδειγμα: Ποτέ μη λειανίτε με την πλάγια επιφάνεια ενός δίσκου κοπής. Οι δίσκοι κοπής προορίζονται για την αφαίρεση υλικού με την άκρη του δίσκου. Η πλευρική επίδραση δύναμης σε αυτά τα λειαντικά σώματα μπορεί να τα σπάσει.
- β) Για τις κωνικές και ίσιες ράβδους λείανσης με σπείρωμα, χρησιμοποιείτε μόνο μη φθαρμένους άξονες σωστού μεγέθους και μήκους, χωρίς υποκοπή στον αύλακα. Οι κατάλληλοι άξονες εμποδίζουν την πιθανότητα θραύσης.
- γ) **Αποφεύγετε μπλοκάρισμα του δίσκου κοπής ή πολύ υψηλή πίεση συμπίεσης. Μη διεξάγετε υπερβολικά βαθιές κοπές.** Μια υπερφόρτωση του δίσκου κοπής αυξάνει την επιβάρυνσή του και την τάση συστολής ή μπλοκαρίσματος και συνεπώς την πιθανότητα αντεπιστροφής ή σπασίματος του λειαντικού σώματος.
- δ) **Αποφεύγετε την περιοχή μπροστά και πίσω από τον περιστρεφόμενο δίσκο κοπής με το χέρι σας.** Όταν μετακινείτε το δίσκο κοπής στο τεμάχιο επεξεργασίας μακριά από το χέρι σας, το ηλεκτρικό εργαλείο με τον περιστρεφόμενο δίσκο μπορεί να εκτοξευθεί απευθείας επάνω σας σε περίπτωση αντεπιστροφής.
- ε) Σε περίπτωση που ο δίσκος κοπής μαγκώσει ή διακόψετε την εργασία, απενεργοποιήστε τη συσκευή και κρατήστε την ήρεμα, έως ότου ο δίσκος ακινητοποιηθεί. Ποτέ μην προσπαθείτε να τραβήξετε τον κινούμενο δίσκο κοπής από την κοπή, αλλιώς μπορεί να προκληθεί αντεπιστροφή. Εξακριβώστε και διορθώστε την αιτία του μαγκώματος.

- στ) Μην ενεργοποιήσετε πάλι το ηλεκτρικό εργαλείο, όσο αυτό βρίσκεται στο τεμάχιο επεξεργασίας. Αφήστε πρώτα το δίσκο κοπής να φτάσει στις πλήρεις στροφές του, προτού συνεχίσετε προσεκτικά την κοπή. Αλλιώς, ο δίσκος μπορεί να μαγκώσει, να αναπηδήσει από το τεμάχιο επεξεργασίας ή να προκαλέσει αντεπιστροφή.
- ζ) Στηρίζετε πλάκες ή μεγάλα τεμάχια επεξεργασίας, ώστε να εμποδίζετε κίνδυνο αντεπιστροφής μέσω ενός μαγκωμένου δίσκου κοπής. Τα μεγάλα τεμάχια επεξεργασίας μπορούν να λυγίσουν από το ίδιο τους το βάρος. Το τεμάχιο επεξεργασίας πρέπει να στηρίζεται και στις δύο πλευρές του δίσκου και μάλιστα τόσο κοντά στο δίσκο κοπής όσο και στην άκρη.
- η) Δείτε ιδιαίτερη προσοχή κατά τις «κοπές εμπύθισης» σε ήδη υπάρχοντα τοιχία ή άλλα μη εμφανή μέρη. Μπορεί να προκληθεί αντεπιστροφή του βυθιζόμενου δίσκου κοπής κατά την κοπή αγωγών αερίου ή νερού, ηλεκτρικών αγωγών ή άλλων αντικειμένων.

Επιπρόσθετες υποδείξεις ασφαλείας για την εργασία με συρματόβουρτσες

Ειδικές υποδείξεις ασφαλείας για την εργασία με συρματόβουρτσες:

- α) Προσοχή, διότι οι συρματόβουρτσες χάνουν συρμάτινα τεμάχια και κατά τη διάρκεια της συνηθισμένης χρήσης. Απαγορεύεται η υπερφόρτωση των βουρτσών με αυξημένη πίεση. Τα εκπινασόμενα συρμάτινα τεμάχια μπορούν να εισχωρήσουν μέσα σε ελαφρύ ρουχισμό και/ή το δέρμα.
- β) Οι βούρτσες θα πρέπει να λειτουργούν πριν τη χρήση τουλάχιστον για ένα λεπτό με ταχύτητα λειτουργίας. Προσέξτε, ώστε σε αυτό το χρονικό διάστημα να μην υπάρχουν άλλα άτομα μπροστά από ή στην ίδια γραμμή με τη βούρτσα. Κατά τη διάρκεια του χρόνου εκκίνησης, ενδέχεται να εκτοξευθούν σκόρπια τεμάχια συρμάτων.
- γ) Κατευθύνετε μακριά από εσάς την περιστρεφόμενη συρματόβουρτσα. Κατά την εργασία με αυτές τις βούρτσες, ενδέχεται να εκτοξευθούν μικρά σωματίδια και μικροσκοπικά τεμάχια συρμάτων με υψηλή ταχύτητα και να διεισδύσουν στο δέρμα.

Υποδείξεις ασφαλείας για φορτιστές

- Αυτή η συσκευή επιτρέπεται να χρησιμοποιείται από παιδιά άνω των 8 ετών, καθώς και από άτομα με περιορισμένες φυσικές, αισθητηριακές ή νοητικές ικανότητες ή ελλείψεις από άποψη εμπειρίας και γνώσεων, εφόσον επιτηρούνται ή έχουν ενημερωθεί αναφορικά με την ασφαλή χρήση της συσκευής και κατανοούν τους προκύπτοντες κινδύνους. Τα παιδιά δεν επιτρέπεται να παίζουν με τη συσκευή. Ο καθαρισμός και η συντήρηση χρήστη δεν επιτρέπεται να διεξάγονται από παιδιά, χωρίς επιτήρηση.
- Εάν το καλώδιο σύνδεσης αυτής της συσκευής παρουσιάσει βλάβη, πρέπει να αντικατασταθεί από τον κατασκευαστή ή το τμήμα εξυπηρέτησης πελατών ή ένα αντιστοιχώς εξειδικευμένο άτομο, ώστε να αποφεύγονται κίνδυνοι.



Ο φορτιστής είναι κατάλληλος για λειτουργία μόνο σε εσωτερικούς χώρους.

⚠️ ΠΡΟΕΙΔΟΠΟΙΗΣΗ!

- Μη λειτουργείτε τη συσκευή με φθαρμένο καλώδιο, καλώδιο δικτύου ή βύσμα. Τα φθαρμένα καλώδια δικτύου σημαίνουν κίνδυνο ζωής από ηλεκτροπληξία.

Χειρισμός

- Μη χρησιμοποιείτε ποτέ τη συσκευή για άλλον από τον προοριζόμενο σκοπό, ενώ θα πρέπει να χρησιμοποιείτε πάντα γνήσια εξαρτήματα και ανταλλακτικά. Η χρήση άλλων μερών ή εξαρτημάτων, από αυτά που προτείνονται στις οδηγίες χρήσης, μπορεί να ενέχει κίνδυνο τραυματισμού.

Φόρτιση συστοιχίας συσσωρευτών

ΥΠΟΔΕΙΞΗ

- ▶ Μια νέα ή αχρησιμοποίητη για μεγάλο χρονικό διάστημα συστοιχία συσσωρευτών πρέπει να φορτιστεί πριν την πρώτη/νέα χρήση. Η συστοιχία συσσωρευτών επιτυγχάνει την πλήρη απόδοση της μετά από περ. 3-5 κύκλους φόρτισης. Μια διαδικασία φόρτισης διαρκεί περ. 180 λεπτά.

⚠ ΠΡΟΣΟΧΗ! ΚΙΝΔΥΝΟΣ ΤΡΑΥΜΑΤΙΣΜΟΥ!

- ▶ Τραβάτε πάντα το βύσμα, πριν πάρετε τη συστοιχία συσσωρευτών από το φορτιστή ή πριν την τοποθετήσετε.
- ◆ Τοποθετήστε τη συστοιχία συσσωρευτών **4** στην υποδοχή φόρτισης **8**. Αυτή τοποθετείται μόνο με τη σωστή πολικότητα.
- ◆ Συνδέστε το τροφοδοτικό **9** σε μια πρίζα.
- ◆ Όσο φορτίζεται η συστοιχία συσσωρευτών, ανάβει η κόκκινη ένδειξη κατάστασης φόρτισης **10**. Μόλις ολοκληρωθεί η διαδικασία φόρτισης, σβήνει η κόκκινη ένδειξη κατάστασης φόρτισης **10** και ανάβει η πράσινη ένδειξη κατάστασης φόρτισης **10a**. Η συστοιχία συσσωρευτών **4** είναι έτοιμη για χρήση.

⚠ ΠΡΟΣΟΧΗ!

- ▶ Ποτέ μη φορτίζετε δεύτερη φορά μια συστοιχία συσσωρευτών αμέσως μετά τη διαδικασία φόρτισης. Υπάρχει κίνδυνος υπερφόρτισης της συστοιχίας συσσωρευτών.

Τοποθέτηση/Απομάκρυνση συστοιχίας συσσωρευτών στη/από τη συσκευή

Τοποθέτηση της συστοιχίας συσσωρευτών:

- ◆ Θέστε το διακόπτη ON/OFF **1** στη θέση «OFF».
- ◆ Τοποθετήστε τη συστοιχία συσσωρευτών **4** στη συσκευή, έως ότου κουμπώσει.

Απομάκρυνση της συστοιχίας συσσωρευτών:

- ◆ Πιέστε ταυτόχρονα τα πλαϊνά πλήκτρα απασφάλισης συσσωρευτών **3** και αφαιρέστε τη συστοιχία συσσωρευτών **4**.

Ανάγνωση κατάστασης συσσωρευτών

Σε ενεργοποιημένη συσκευή, η κατάσταση ή η υπολειπόμενη απόδοση προβάλλονται στο LED συσσωρευτών 2 ως εξής:

ΚΟΚΚΙΝΟ/ΠΟΡΤΟΚΑΛΙ/ΠΡΑΣΙΝΟ = μέγιστη φόρτιση
 ΚΟΚΚΙΝΟ/ΠΟΡΤΟΚΑΛΙ = μέτρια φόρτιση
 ΚΟΚΚΙΝΟ = αδύναμη φόρτιση - φορτίστε το συσσωρευτή

Τοποθέτηση/Αλλαγή εργαλείου/λαβίδας σύσφιξης

- ◆ Πιέστε και κρατήστε την ασφάλιση ατράκτου **7**.
- ◆ Περιστρέψτε το περικόχλιο συγκράτησης **5**, έως ότου κουμπώσει η ασφάλιση.
- ◆ Λασκάρτε το περικόχλιο συγκράτησης **5** με το κλειδί συνδυασμού **22** από το σπείρωμα.
- ◆ Εάν χρειάζεται, απομακρύνετε ένα τοποθετημένο εργαλείο.
- ◆ Ωθήστε πρώτα το προβλεπόμενο εργαλείο μέσα από το περικόχλιο συγκράτησης **5**, προτού το εισάγετε στην αντίστοιχη λαβίδα σύσφιξης **17** του άξονα εργαλείου.
- ◆ Πιέστε και κρατήστε την ασφάλιση ατράκτου **7**.
- ◆ Εισάγετε τη λαβίδα σύσφιξης **17** στο σπείρωμα και μετά βιδώστε σφικτά το περικόχλιο συγκράτησης **5** με το κλειδί συνδυασμού **22** στο σπείρωμα.

ΥΠΟΔΕΙΞΗ

- ▶ Χρησιμοποιήστε την πλευρά καταβιδιού του κλειδιού συνδυασμού **22** για το λασκάρισμα και το σφίξιμο της βίδας στους άξονες σύσφιξης **12**.

**Ενεργοποίηση και απενεργοποίηση/
Ρύθμιση εύρους αριθμού στροφών**

Ενεργοποίηση/Ρύθμιση εύρους αριθμού στροφών:

- ◆ Θέστε το διακόπτη On/off **1** με τη ρύθμιση αριθμού στροφών σε μια θέση μεταξύ του «1» και του «MAX».

Απενεργοποίηση:

- ◆ Θέστε το διακόπτη On/off **1** με τη ρύθμιση αριθμού στροφών στη θέση «OFF».

**Υποδείξεις για την επεξεργασία
υλικού/Εργαλείο/Εύρος αριθμού
στροφών**

- Χρησιμοποιείτε τις μύτες φρεζαρίσματος **19** για την επεξεργασία χάλυβα και σιδήρου σε υψηλό αριθμό στροφών.
- Καθορίστε το εύρος αριθμού στροφών για την επεξεργασία ψευδαργύρου, κραμάτων ψευδαργύρου, αλουμινίου, χαλκού και μολύβδου με απόπειρες σε δοκιμαστικά τεμάχια.
- Επεξεργάζεστε συνθετικές ύλες και υλικά με χαμηλό σημείο τήξης σε χαμηλές στροφές.
- Επεξεργάζεστε το ξύλο με υψηλές στροφές.
- Διεξάγετε εργασίες καθαρισμού, στίλβωσης και λείανσης σε μεσαίες στροφές.

Τα ακόλουθα στοιχεία αποτελούν μη δεσμευτικές προτάσεις. Δοκιμάστε στην πράξη ποιο εργαλείο και ποια ρύθμιση ενδείκνυται καλύτερα για το υλικό που θα επεξεργαστείτε.

Ρύθμιση κατάλληλου αριθμού στροφών:

Ψηφία στη ρύθμιση αριθμού στροφών ①	υλικό προς επεξεργασία		
1-3	Συνθετική ύλη και υλικά με χαμηλό σημείο τήξης	6	Σκληρό ξύλο
4-5	Πέτρα, κεραμικά	Μέγ.	Χάλυβας
5	Μαλακό ξύλο, μέταλλο		

Παραδείγματα χρήσης/Επιλογή κατάλληλου εργαλείου:

Λειτουργία	Αξεσουάρ	Χρήση	Προεξοχή (ελάχ. - μέγ.) mm
Διάτρηση	Τρυπάνι HSS ⑪	Επεξεργασία ξύλου	18-25 στο μικρότερο τρυπάνι, η προεξοχή είναι 10 mm
Φρεζάρισμα	Μύτες φρεζαρίσματος ⑲	Πολύπλευρη εργασία, π.χ. υποσκαφή, μορφοποίηση, δημιουργία ανάγλυφων ή χαραμμάτων	18-25
Χάραξη	Μύτες χάραξης ⑳	Κατασκευή σήμανσης, εργασίες χειροτεχνίας	18-25
Γυάλισμα, αφαίρεση σκουριάς ΠΡΟΣΟΧΗ! Ασκήτε μόνο μικρή πίεση με το εργαλείο στο τεμάχιο επεξεργασίας.	Μεταλλική βούρτσα ⑮	αφαίρεση σκουριάς	9-15
	Δίσκοι στίλβωσης ⑬	Επεξεργασία διαφόρων μετάλλων και πλαστικών, κυρίως εξευγενισμένα μέταλλα, όπως χρυσός ή ασήμι	12-18
Καθαρισμός	Πλαστικές βούρτσες ⑱	π.χ. καθαρισμός δύσκολα προσβάσιμου πλαστικού περιβλήματος ή καθαρισμός περιβάλλοντα χώρου μιας κλειδαριάς πόρτας	9-15
Λείανση	Δίσκοι τροχίσματος ⑭	Εργασίες τροχίσματος σε πέτρα, ξύλο, λεπτές εργασίες σε σκληρά υλικά, όπως κεραμικά ή μείγματα χάλυβα	12-18
	Μύτες τροχίσματος ㉑		10
Κοπή	Δίσκοι κοπής ⑯ Μέταλλο	Επεξεργασία μετάλλου, πλαστικού και ξύλου	12-18

- Η μέγιστη διάμετρος των συναρμολογημένων σωμάτων λείανσης, των κώνων λείανσης και των ράβδων λείανσης με σπείρωμα 55 mm δεν επιτρέπεται να υπερβαίνεται.
Η μέγιστη διάμετρος των αξεσουάρ λείανσης με γυαλόχαρτο των 80 mm επίσης δεν επιτρέπεται να υπερβαίνεται.

ΥΠΟΔΕΙΞΗ

- ▶ Το μέγ. επιτρεπόμενο μήκος ενός άξονα σύσφιξης ανέρχεται σε 33 mm.
- Αποθηκεύετε τα αξεσουάρ στο αρχικό κουτί ή προστατεύετε τα αξεσουάρ έναντι ζημιών με άλλο τρόπο.
- Αποθηκεύετε τα αξεσουάρ στεγνά και όχι στην περιοχή επιθετικών μέσων.

Υποδείξεις και τεχνάσματα

- Αν ασκείτε πολύ υψηλή πίεση, το εργαλείο υπό τάνυση μπορεί να σπάσει και/ή να κάνει ζημιά στο τεμάχιο επεξεργασίας. Μπορείτε να επιτύχετε ιδανικά αποτελέσματα εργασίας, με το να οδηγήσετε το εργαλείο με σταθερό εύρος αριθμού στροφών και ελάχιστη πίεση στο τεμάχιο επεξεργασίας.
- Κατά την κοπή, κρατάτε πάντα τη συσκευή με τα δύο χέρια.
- Προσέχετε τα δεδομένα και τις πληροφορίες στον πίνακα, ώστε να εμποδίζετε επαφή του άκρου ατράκτου με το δάπεδο οπής του εργαλείου λείανσης.

Συντήρηση και καθαρισμός

Η συσκευή δε χρειάζεται συντήρηση.

- Απομακρύνετε όλους τους ρύπους από τη συσκευή. Για το σκοπό αυτό, χρησιμοποιήστε ένα στεγνό πανί.
- Σε κάθε έναρξη και στο τέλος μακράς μη χρήσης, διεξάγετε μια πλήρη διαδικασία φόρτισης της συστοιχίας συσσωρευτών ④.
- Εάν ένας συσσωρευτής λιθίου-ιόντων πρέπει να αποθηκευτεί για μεγάλο χρονικό διάστημα, πρέπει να ελέγχεται τακτικά η κατάσταση φόρτισης. Η ενδεδειγμένη κατάσταση φόρτισης κυμαίνεται μεταξύ 50% και 80%. Το ενδεδειγμένο κλίμα αποθήκευσης είναι σε δροσερό και στεγνό χώρο.

⚠ ΠΡΟΕΙΔΟΠΟΙΗΣΗ!

- Η επισκευή των συσκευών σας πρέπει να γίνεται από την υπηρεσία σέρβις ή εξειδικευμένο ηλεκτρολογικό προσωπικό και μόνο με γνήσια εξαρτήματα. Έτσι διατηρείται η ασφάλεια της συσκευής.

⚠ ΠΡΟΕΙΔΟΠΟΙΗΣΗ!

- Η αλλαγή του βύσματος ή του καλωδίου δικτύου πρέπει να διεξάγεται πάντα από τον κατασκευαστή της συσκευής ή από το τμήμα εξυπηρέτησης πελατών του. Έτσι διατηρείται η ασφάλεια της συσκευής.

ΥΠΟΔΕΙΞΗ

- ▶ Μπορείτε να παραγγείλετε τα μη αναφερόμενα ανταλλακτικά (π.χ. συσσωρευτής, φορτιστής) μέσω του τηλεφωνικού μας κέντρου.

Απόρριψη



Η συσκευασία αποτελείται από φιλικά προς το περιβάλλον υλικά, τα οποία μπορείτε να απορρίψετε μέσω των τοπικών υπηρεσιών ανακύκλωσης.



Μην πετάτε τα ηλεκτρικά εργαλεία στα οικιακά απορρίμματα!

Σύμφωνα με την Ευρωπαϊκή Οδηγία 2012/19/EU, τα χρησιμοποιημένα ηλεκτρικά εργαλεία πρέπει να συλλέγονται χωριστά και να οδηγούνται σε μια φιλική για το περιβάλλον επαναχρησιμοποίηση.



Μην απορρίπτετε τους συσσωρευτές στα οικιακά απορρίμματα!

ΠΡΟΕΙΔΟΠΟΙΗΣΗ!

■ Αφαιρέστε το συσσωρευτή πριν την απόρριψη!

Οι ελαττωματικοί ή χρησιμοποιημένοι συσσωρευτές πρέπει να ανακυκλώνονται σύμφωνα με την Οδηγία 2006/66/EC. Επιστρέψτε τη συστοιχία συσσωρευτών και/ή τη συσκευή μέσω των προσφερόμενων εγκαταστάσεων συλλογής.

Θα ενημερωθείτε για τις δυνατότητες απόρριψης των χρησιμοποιημένων ηλεκτρικών εργαλείων/της συστοιχίας συσσωρευτών από τη διαχείριση της κοινότητας ή της πόλης σας.

Εγγύηση της Kompnass Handels GmbH

Αξιότιμη πελάτισσα, αξιότιμε πελάτη,

Η παρούσα συσκευή διατίθεται 3 χρόνια εγγύηση από την ημερομηνία αγοράς. Στην περίπτωση ελλείψεων στο προϊόν έχετε νομικά δικαιώματα έναντι του πωλητή του προϊόντος. Αυτά τα νομικά δικαιώματα δεν περιορίζονται μέσω της κατωτέρω αναφερόμενης εγγύησης.

Προϋποθέσεις εγγύησης

Η περίοδος εγγύησης ξεκινάει κατά την ημερομηνία αγοράς. Φυλάξτε καλά την πρωτότυπη απόδειξη ταμείου. Αυτό το έγγραφο απαιτείται ως απόδειξη για την αγορά.

Εάν, εντός τριών ετών από την ημερομηνία αγοράς, προκύψει στο προϊόν αυτό σφάλμα υλικού ή κατασκευής, κατόπιν κρίσης μας, επισκευάζουμε ή αντικαθιστούμε το προϊόν για εσάς δωρεάν.

Η παρούσα εγγύηση προϋποθέτει ότι εντός της περιόδου τριών ετών η ελαττωματική συσκευή και η απόδειξη αγοράς (απόδειξη ταμείου) θα υποβληθούν μαζί με σύντομη περιγραφή σχετικά με το που βρίσκεται η έλλειψη και πότε προέκυψε.

Εάν το ελάττωμα καλύπτεται από την εγγύησή μας, θα λάβετε το επισκευασμένο ή ένα νέο προϊόν.

Περίοδος εγγύησης και νομικές απαιτήσεις λόγω ελλείψεων

Ο χρόνος εγγύησης δεν παρατείνεται μέσω της παροχής εγγύησης. Αυτό ισχύει και για εξαρτήματα, τα οποία έχουν αντικατασταθεί και επισκευαστεί. Ενδεχόμενες ήδη υπάρχουσες ζημιές και ελλείψεις κατά την αγορά πρέπει να γνωστοποιούνται αμέσως μετά την αποσυσκευασία. Μετά τη λήξη του χρόνου εγγύησης, τυχόν εμφανιζόμενες επισκευές χρεώνονται.

Εύρος εγγύησης

Η συσκευή κατασκευάστηκε σύμφωνα με αυστηρές οδηγίες ποιότητας και ελέγχθηκε προσεκτικά πριν από την αποστολή.

Η απόδοση εγγύησης ισχύει για σφάλματα υλικού ή κατασκευής. Η παρούσα εγγύηση δεν εκτείνεται σε τμήματα του προϊόντος, τα οποία εκτίθενται σε φυσιολογική φθορά και έτσι μπορεί να θεωρούνται εξαρτήματα φθοράς ή για ζημιές σε εύθραυστα εξαρτήματα, π.χ. διακόπτες, συσσωρευτές, ταψιά ή εξαρτήματα που είναι κατασκευασμένα από γυαλί.

Η παρούσα εγγύηση ακυρώνεται εάν προκληθεί ζημιά στο προϊόν, εάν δεν γίνεται σωστή χρήση ή συντήρηση. Για μια σωστή χρήση του προϊόντος πρέπει να τηρούνται επακριβώς οι αναφερόμενες υποδείξεις στις οδηγίες χειρισμού. Σκοποί χρήσης και χειρισμοί που δεν συνιστώνται ή για τους οποίους υπάρχει προειδοποίηση πρέπει απαραίτητα να αποφεύγονται.

Το προϊόν προορίζεται μόνο για ιδιωτική και όχι για επαγγελματική χρήση. Σε περίπτωση κακής μεταχείρισης και ακατάλληλης χρήσης, χρήσης βίας και παρεμβάσεων, οι οποίες δεν διεξήχθησαν από το εξουσιοδοτημένο μας τμήμα σέρβις, η εγγύηση παύει να ισχύει.

Διαδικασία σε περίπτωση εγγύησης

Για την εξασφάλιση γρήγορης επεξεργασίας του ζητημάτων σας, τηρείτε τις ακόλουθες υποδείξεις:

- Για όλες τις ερωτήσεις έχετε έτοιμη την απόδειξη αγοράς και τον κωδικό προϊόντος (π.χ. IAN 12345) ως απόδειξη για την αγορά.
- Μπορείτε να βρείτε τον κωδικό προϊόντος στην πινακίδα τύπου, χαραγμένο, στην πρώτη σελίδα των οδηγιών σας (κάτω αριστερά) ή σε αυτοκόλλητο στην πίσω ή κάτω πλευρά.
- Εάν προκύψουν σφάλματα λειτουργίας ή άλλες ελλείψεις, επικοινωνήστε κατ' αρχήν με το ακόλουθο αναφερόμενο τμήμα σέρβις **τηλεφωνικά ή με E-Mail**.
- Ένα προϊόν που θεωρείται ελαττωματικό μπορείτε να το αποστείλετε απελάς στην αναφερόμενη διεύθυνση του σέρβις επισυνάπτοντας την απόδειξη αγοράς (απόδειξη ταμείου) και αναφέροντας που βρίσκεται η έλλειψη και πότε εμφανίστηκε.



Στην ιστοσελίδα www.lidl-service.com μπορείτε να κατεβάσετε το παρόν και πολλά άλλα εγχειρίδια, βίντεο προϊόντων και λογισμικό.

Σέρβις

GR Σέρβις Ελλάδα
Tel.: 801 5000 019 (0,03 EUR/Min.)
E-Mail: kompernass@lidl.gr

CY Σέρβις Κύπρος
Tel.: 8009 4409
E-Mail: kompernass@lidl.com.cy

IAN 279872

Εισαγωγέας

Η ακόλουθη διεύθυνση δεν είναι διεύθυνση σέρβις.
Επικοινωνήστε, κατ' αρχήν, με την αναφερόμενη
υπηρεσία σέρβις.

KOMPERNASS HANDELS GMBH
BURGSTRASSE 21
44867 BOCHUM
GERMANY
www.kompernass.com

**Μετάφραση της Πρωτότυπης
Δήλωση συμμόρφωσης**

Εμείς, Η KOMPERNASS HANDELS GMBH,
Υπεύθυνος τεκμηριώσεων: Κύριος Semi Uguzlu,
BURGSTR. 21, 44867 BOCHUM, Γερμανία, δηλώ-
νουμε δια της παρούσης ότι το παρόν προϊόν
συμφωνεί με τα ακόλουθα πρότυπα, τα κανονιστι-
κά έγγραφα και τις οδηγίες της ΕΚ:

Οδηγία περί μηχανών
(2006 / 42 / EC)

Οδηγία περί χαμηλής τάσης ΕΚ
(2014 / 35 / EU)

Ηλεκτρομαγνητική συμβατότητα
(2014 / 30 / EU)

Οδηγία RoHS (Σχετικά με τον περιορισμό χρή-
σης συγκεκριμένων επικίνδυνων ουσιών στον
ηλεκτρικό και ηλεκτρονικό εξοπλισμό)
(2011 / 65 / EU)

Εφαρμοσμένα εναρμονισμένα πρότυπα:

EN 60745-1:2009/A11:2010

EN 60745-2-23:2013

EN 55014-1:2006/A2:2011

EN 55014-2:2015

EN 60335-1:2012/A11:2014

EN 60335-2-29:2004/A2:2010

EN 61000-3-2:2014

EN 61000-3-3:2013

EN 62233:2008

Ονομασία τύπου του μηχανήματος:

ΣΥΣΚΕΥΗ ΛΕΙΑΝΣΗΣ ΚΑΙ

ΔΙΑΤΡΗΣΗΣ ΜΠΑΤΑΡΙΑΣ PFBS 12 A1

Έτος κατασκευής: 07-2016

Αύξων αριθμός: IAN 279872

Bochum, 08.06.2016



Semi Uguzlu

- Διευθυντής ποιότητας -

Με την επιφύλαξη τεχνικών αλλαγών υπό την έν-
νοια της συνεχούς ανάπτυξης.

Inhaltsverzeichnis

Einleitung	32
Bestimmungsgemäßer Gebrauch	32
Ausstattung	32
Lieferumfang	32
Technische Daten	32
Allgemeine Sicherheitshinweise für Elektrowerkzeuge	33
1. Arbeitsplatz-Sicherheit	33
2. Elektrische Sicherheit	33
3. Sicherheit von Personen	34
4. Verwendung und Behandlung des Elektrowerkzeugs	34
5. Verwendung und Behandlung des Akkuwerkzeugs	35
6. Service	35
Sicherheitshinweise für alle Anwendungen	35
Weitere Sicherheitshinweise für alle Anwendungen	37
Zusätzliche Sicherheitshinweise zum Schleifen und Trennschleifen	38
Zusätzliche Sicherheitshinweise zum Arbeiten mit Drahtbürsten	38
Sicherheitshinweise für Ladegeräte	39
Bedienung	39
Akku-Pack laden	39
Akku-Pack ins Gerät einsetzen / entnehmen	40
Akkuzustand ablesen	40
Werkzeug / Spannzange einsetzen / wechseln	40
Ein- und ausschalten / Drehzahlbereich einstellen	40
Hinweise zu Materialbearbeitung / Werkzeug /Drehzahlbereich	40
Tips und Tricks	42
Wartung und Reinigung	42
Entsorgung	43
Garantie der Kompernaß Handels GmbH	43
Service	44
Importeur	44
Original-Konformitätserklärung	45

AKKU-FEINBOHRSCHLEIFER PFBS 12 A1

Einleitung

Wir beglückwünschen Sie zum Kauf Ihres neuen Gerätes. Sie haben sich damit für ein hochwertiges Produkt entschieden. Die Bedienungsanleitung ist Teil dieses Produkts. Sie enthält wichtige Hinweise für Sicherheit, Gebrauch und Entsorgung. Machen Sie sich vor der Benutzung des Produkts mit allen Bedien- und Sicherheitshinweisen vertraut. Benutzen Sie das Produkt nur wie beschrieben und für die angegebenen Einsatzbereiche. Händigen Sie alle Unterlagen bei Weitergabe des Produkts an Dritte mit aus.

Bestimmungsgemäßer Gebrauch

Der Akku-Feinbohrschleifer ist mit entsprechendem Zubehör (wie mitgeliefert) zum Bohren, Fräsen, Gravieren, Polieren, Säubern, Schleifen, Trennen von Werkstoffen wie Holz, Metall, Kunststoff, Keramik oder Gestein in trockenen Räumen zu verwenden. Jede andere Verwendung oder Veränderung des Gerätes gilt als nicht bestimmungsgemäß und birgt erhebliche Unfallgefahren. Für aus bestimmungswidriger Verwendung entstandene Schäden übernimmt der Hersteller keine Haftung. Nicht für gewerblichen Einsatz bestimmt.

Ausstattung

Akku-Feinbohrschleifer:

- 1 Ein- / Aus-Schalter / Drehzahlregulierung
- 2 Akku-LED
- 3 Akku-Entriegelungstaste
- 4 Akku-Pack
- 5 Spannmutter
- 6 Überwurfmutter
- 7 Spindelarretierung

Akkuladeeinrichtung (siehe Abb. A):

- 8 Ladeschale
- 9 Netzteil
- 10 Ladezustandsanzeige rot
- 10a Ladezustandsanzeige grün

Zubehör (siehe Abb. B):

- 11 6 HSS-Bohrer
- 12 2 Spanndorne zur Werkzeugaufnahme
- 13 3 Polierscheiben
- 14 4 Schleifscheiben
- 15 1 Metallbürste
- 16 16 Trennscheiben
- 17 5 Spannzangen
- 18 2 Kunststoffbürsten
- 19 3 Fräsbits
- 20 2 Gravierbits
- 21 5 Schleifbits
- 22 1 Kombischlüssel

Lieferumfang

- 1 Akku-Feinbohrschleifer
- 1 Ladeschale mit Netzteil
- 1 Zubehör-Set (50 Teile)
- 1 Bedienungsanleitung

Technische Daten

Modell PFBS 12 A1:

- Bemessungsspannung: 12 V \equiv (Gleichstrom)
- Bemessungs-Leerlaufdrehzahl: n 5000-25000 min⁻¹
- Max. Scheiben ø: 25 mm

Bohrfutterspannbereich:  max. ø 3,2 mm

Akku-Pack PFBS 12 A1-1:

EINGANG / Input:

- Bemessungsspannung: 12 V \equiv (Gleichstrom)
- Kapazität: 1300 mAh
- Typ: LITHIUM-ION

Ladegerät PFBS 12 A1-2:

Primär (Eingang / Input):

- Bemessungsspannung: 100-240 V~, 50-60 Hz (Wechselstrom)
- Bemessungsaufnahme: 0,3 A

Sekundär (Ausgang / Output):

- Bemessungsspannung: 14,5 V \equiv (Gleichstrom)
- Bemessungsstrom: 450 mA
- Ladedauer: ca. 3 Stunden
- Schutzklasse: II/III (Doppelisolierung)

Geräuschemissionswert:

Messwert für Geräusch ermittelt entsprechend EN 60745. Der A-bewertete Geräuschpegel des Elektrowerkzeugs beträgt typischerweise:

- Schalldruckpegel: $L_{pA} = 60,5 \text{ dB (A)}$
- Unsicherheit: $K_{pA} = 3 \text{ dB}$
- Schallleistungspegel: $L_{WA} = 71,5 \text{ dB (A)}$
- Unsicherheit K: $K_{WA} = 3 \text{ dB}$

Gehörschutz tragen!

Schwingungsgesamtwert:

- $a_h = 1,07 \text{ m/s}^2$
- Unsicherheit K: $1,5 \text{ m/s}^2$

HINWEIS

- ▶ Der in diesen Anweisungen angegebene Schwingungspegel ist entsprechend einem genormten Messverfahren gemessen worden und kann für den Gerätevergleich verwendet werden. Der angegebene Schwingungsemissionswert kann auch zu einer einleitenden Einschätzung der Aussetzung verwendet werden.

⚠️ WARNUNG!

- ▶ Der Schwingungspegel wird sich entsprechend dem Einsatz des Elektrowerkzeugs verändern und kann in manchen Fällen über dem in diesen Anweisungen angegebenen Wert liegen. Die Schwingungsbelastung könnte unterschätzt werden, wenn das Elektrowerkzeug regelmäßig in solcher Weise verwendet wird. Versuchen Sie, die Belastung durch Vibrationen so gering wie möglich zu halten. Beispielhafte Maßnahmen zur Verringerung der Vibrationsbelastung sind das Tragen von Handschuhen beim Gebrauch des Werkzeugs und die Begrenzung der Arbeitszeit. Dabei sind alle Anteile des Betriebszyklus zu berücksichtigen (beispielsweise Zeiten, in denen das Elektrowerkzeug abgeschaltet ist, und solche, in denen es zwar eingeschaltet ist, aber ohne Belastung läuft).

Allgemeine Sicherheitshinweise für Elektrowerkzeuge



⚠️ WARNUNG!

- ▶ Lesen Sie alle Sicherheitshinweise und Anweisungen. Versäumnisse bei der Einhaltung der Sicherheitshinweise und Anweisungen können elektrischen Schlag, Brand und/oder schwere Verletzungen verursachen.

Bewahren Sie alle Sicherheitshinweise und Anweisungen für die Zukunft auf.

Der in den Sicherheitshinweisen verwendete Begriff „Elektrowerkzeug“ bezieht sich auf netzbetriebene Elektrowerkzeuge (mit Netzkabel) und auf akkubetriebene Elektrowerkzeuge (ohne Netzkabel).

1. Arbeitsplatz-Sicherheit


- a) Halten Sie Ihren Arbeitsbereich sauber und gut beleuchtet. Unordnung und unbeleuchtete Arbeitsbereiche können zu Unfällen führen.
- b) Arbeiten Sie mit dem Elektrowerkzeug nicht in explosionsgefährdeter Umgebung, in der sich brennbare Flüssigkeiten, Gase oder Stäube befinden. Elektrowerkzeuge erzeugen Funken, die den Staub oder die Dämpfe entzünden können.
- c) Halten Sie Kinder und andere Personen während der Benutzung des Elektrowerkzeugs fern. Bei Ablenkung können Sie die Kontrolle über das Gerät verlieren.

2. Elektrische Sicherheit

- a) Der Anschlussstecker des Elektrowerkzeuges muss in die Steckdose passen. Der Stecker darf in keiner Weise verändert werden. Verwenden Sie keine Adapterstecker gemeinsam mit schutzgeerdeten Elektrowerkzeugen. Unveränderte Stecker und passende Steckdosen verringern das Risiko eines elektrischen Schlages.
- b) Vermeiden Sie Körperkontakt mit geerdeten Oberflächen, wie von Rohren, Heizungen, Herden und Kühlschränken. Es besteht ein erhöhtes Risiko durch elektrischen Schlag, wenn Ihr Körper geerdet ist.

- c) Halten Sie Elektrowerkzeuge von Regen oder Nässe fern. Das Eindringen von Wasser in ein Elektrogerät erhöht das Risiko eines elektrischen Schlages.
- d) Zweckentfremden Sie das Kabel nicht, um das Elektrowerkzeug zu tragen, aufzuhängen oder um den Stecker aus der Steckdose zu ziehen. Halten Sie das Kabel fern von Hitze, Öl, scharfen Kanten oder sich bewegenden Geräteteilen. Beschädigte oder verwickelte Kabel erhöhen das Risiko eines elektrischen Schlages.
- e) Wenn Sie mit einem Elektrowerkzeug im Freien arbeiten, verwenden Sie nur Verlängerungskabel, die auch für den Außenbereich zugelassen sind. Die Anwendung eines für den Außenbereich geeigneten Verlängerungskabels verringert das Risiko eines elektrischen Schlages.
- f) Wenn der Betrieb des Elektrowerkzeuges in feuchter Umgebung nicht vermeidbar ist, verwenden Sie einen Fehlerstromschutzschalter. Der Einsatz eines Fehlerstromschutzschalters vermindert das Risiko eines elektrischen Schlages.

3. Sicherheit von Personen

- a) Seien Sie stets aufmerksam, achten Sie darauf, was Sie tun und gehen Sie mit Vernunft an die Arbeit mit einem Elektrowerkzeug. Benutzen Sie kein Elektrowerkzeug, wenn Sie müde sind oder unter dem Einfluss von Drogen, Alkohol oder Medikamenten stehen. Ein Moment der Unachtsamkeit beim Gebrauch des Elektrowerkzeuges kann zu ernsthaften Verletzungen führen.
- b)  Tragen Sie persönliche Schutzausrüstung und immer eine Schutzbrille. Das Tragen persönlicher Schutzausrüstung wie Staubmaske, rutschfeste Sicherheitsschuhe, Schutzhelm oder Gehörschutz, je nach Art und Einsatz des Elektrowerkzeuges, verringert das Risiko von Verletzungen.
- c) Vermeiden Sie eine unbeabsichtigte Inbetriebnahme. Vergewissern Sie sich, dass das Elektrowerkzeug ausgeschaltet ist, bevor Sie es an die Stromversorgung und / oder den Akku anschließen, es aufnehmen oder tragen. Wenn Sie beim Tragen des Elektrowerkzeuges den Finger am Schalter haben oder das Gerät bereits eingeschaltet an die Stromversorgung anschließen, kann dies zu Unfällen führen.

- d) Entfernen Sie Einstellwerkzeuge oder Schraubenschlüssel, bevor Sie das Elektrowerkzeug einschalten. Ein Werkzeug oder Schlüssel, der sich in einem drehenden Geräteteil befindet, kann zu Verletzungen führen.
- e) Vermeiden Sie eine abnormale Körperhaltung. Sorgen Sie für einen sicheren Stand und halten Sie jederzeit das Gleichgewicht. Dadurch können Sie das Elektrowerkzeug in unerwarteten Situationen besser kontrollieren.
- f) Tragen Sie geeignete Kleidung. Tragen Sie keine weite Kleidung oder Schmuck. Halten Sie Haare, Kleidung und Handschuhe fern von sich bewegenden Teilen. Lockere Kleidung, Schmuck oder lange Haare können von sich bewegenden Teilen erfasst werden.
- g) Wenn Staubabsaug- und -auffangeinrichtungen montiert werden können, vergewissern Sie sich, dass diese angeschlossen sind und richtig verwendet werden. Die Verwendung einer Staubabsaugung kann Gefährdungen durch Staub verringern.

4. Verwendung und Behandlung des Elektrowerkzeugs

- a) Überlasten Sie das Gerät nicht. Verwenden Sie für Ihre Arbeit das dafür bestimmte Elektrowerkzeug. Mit dem passenden Elektrowerkzeug arbeiten Sie besser und sicherer im angegebenen Leistungsbereich.
- b) Benutzen Sie kein Elektrowerkzeug, dessen Schalter defekt ist. Ein Elektrowerkzeug, das sich nicht mehr ein- oder ausschalten lässt, ist gefährlich und muss repariert werden.
- c) Ziehen Sie den Stecker aus der Steckdose und/oder entfernen Sie den Akku, bevor Sie Geräteeinstellungen vornehmen, Zubehörteile wechseln oder das Gerät weglegen. Diese Vorsichtsmaßnahme verhindert den unbeabsichtigten Start des Elektrowerkzeuges.
- d) Bewahren Sie unbenutzte Elektrowerkzeuge außerhalb der Reichweite von Kindern auf. Lassen Sie Personen das Gerät nicht benutzen, die mit diesem nicht vertraut sind oder diese Anweisungen nicht gelesen haben. Elektrowerkzeuge sind gefährlich, wenn sie von unerfahrenen Personen benutzt werden.

- e) Pflegen Sie Elektrowerkzeuge mit Sorgfalt. Kontrollieren Sie, ob bewegliche Teile einwandfrei funktionieren und nicht klemmen, ob Teile gebrochen oder so beschädigt sind, dass die Funktion des Elektrowerkzeuges beeinträchtigt ist. Lassen Sie beschädigte Teile vor dem Einsatz des Gerätes reparieren. Viele Unfälle haben ihre Ursache in schlecht gewarteten Elektrowerkzeugen.
- f) Halten Sie Schneidwerkzeuge scharf und sauber. Sorgfältig gepflegte Schneidwerkzeuge mit scharfen Schneidkanten verkleben sich weniger und sind leichter zu führen.
- g) Verwenden Sie Elektrowerkzeug, Zubehör, Einsatzwerkzeuge usw. entsprechend diesen Anweisungen. Berücksichtigen Sie dabei die Arbeitsbedingungen und die auszuführende Tätigkeit. Der Gebrauch von Elektrowerkzeugen für andere als die vorgesehenen Anwendungen kann zu gefährlichen Situationen führen.

5. Verwendung und Behandlung des Akkuwerkzeugs

- a) Laden Sie die Akkus nur in Ladegeräten auf, die vom Hersteller empfohlen werden. Für ein Ladegerät, das für eine bestimmte Art von Akkus geeignet ist, besteht Brandgefahr, wenn es mit anderen Akkus verwendet wird.
- b) Verwenden Sie nur die dafür vorgesehenen Akkus in den Elektrowerkzeugen. Der Gebrauch von anderen Akkus kann zu Verletzungen und Brandgefahr führen.
- c) Halten Sie den nicht benutzten Akku fern von Büroklammern, Münzen, Schlüsseln, Nägeln, Schrauben oder anderen kleinen Metallgegenständen, die eine Überbrückung der Kontakte verursachen könnten. Ein Kurzschluss zwischen den Akkukontakten kann Verbrennungen oder Feuer zur Folge haben.
- d) Bei falscher Anwendung kann Flüssigkeit aus dem Akku austreten. Vermeiden Sie den Kontakt damit. Bei zufälligem Kontakt mit Wasser abspülen. Wenn die Flüssigkeit in die Augen kommt, nehmen Sie zusätzlich ärztliche Hilfe in Anspruch. Austretende Akkuflüssigkeit kann zu Hautreizungen oder Verbrennungen führen.



VORSICHT! EXPLOSIONSGEFAHR!
Laden Sie nicht aufladbare Batterien niemals auf.



Schützen Sie den Akku vor Hitze, z. B. auch vor dauernder Sonneneinstrahlung, Feuer, Wasser und Feuchtigkeit. Es Besteht Explosionsgefahr.



6. Service

- a) Lassen Sie Ihr Elektrowerkzeug nur von qualifiziertem Fachpersonal und nur mit Original-Ersatzteilen reparieren. Damit wird sichergestellt, dass die Sicherheit des Elektrowerkzeugs erhalten bleibt.

Sicherheitshinweise für alle Anwendungen

Gemeinsame Sicherheitshinweise zum Schleifen, Sandpapierschleifen, Arbeiten mit Drahtbürsten, Polieren, Fräsen oder Trennschleifen:

- a) Dieses Elektrowerkzeug ist zu verwenden als Schleifer, Sandpapierschleifer, Drahtbürste, Polierer, zum Fräsen und als Trennschleifmaschine. Beachten Sie alle Sicherheitshinweise, Anweisungen, Darstellungen und Daten, die Sie mit dem Gerät erhalten. Wenn Sie die folgenden Anweisungen nicht beachten, kann es zu elektrischem Schlag, Feuer und / oder schweren Verletzungen kommen.
- b) Verwenden Sie kein Zubehör, das vom Hersteller nicht speziell für dieses Elektrowerkzeug vorgesehen und empfohlen wird. Nur weil Sie das Zubehör an Ihrem Elektrowerkzeug befestigen können, garantiert das keine sichere Verwendung.
- c) Die zulässige Drehzahl des Einsatzwerkzeugs muss mindestens so hoch sein wie die auf dem Elektrowerkzeug angegebene Höchstdrehzahl. Zubehör, das sich schneller als zulässig dreht, kann zerbrechen und umherfliegen.
- d) Außendurchmesser und Dicke des Einsatzwerkzeugs müssen den Maßangaben Ihres Elektrowerkzeugs entsprechen. Falsch bemessene Einsatzwerkzeuge können nicht ausreichend abgeschirmt oder kontrolliert werden.

- e) Schleifscheiben, Schleifwalzen oder anderes Zubehör müssen genau auf die Schleifspindel oder Spannzange Ihres Elektrowerkzeugs passen. Einsatzwerkzeuge, die nicht genau in die Aufnahme des Elektrowerkzeugs passen, drehen sich ungleichmäßig, vibrieren sehr stark und können zum Verlust der Kontrolle führen.
- f) Auf einem Dorn montierte Scheiben, Schleifzylinder, Schneidwerkzeuge oder anderes Zubehör müssen vollständig in die Spannzange oder das Spannfutter eingesetzt werden. Der „Überstand“ bzw. der frei liegende Teil des Dorns zwischen Schleifkörper und Spannzange oder Spannfutter muss minimal sein. Wird der Dorn nicht ausreichend gespannt oder steht der Schleifkörper zu weit vor, kann sich das Einsatzwerkzeug lösen und mit hoher Geschwindigkeit ausgeworfen werden.
- g) Verwenden Sie keine beschädigten Einsatzwerkzeuge. Kontrollieren Sie vor jeder Verwendung Einsatzwerkzeuge wie Schleifscheiben auf Absplitterungen und Risse, Schleifwalzen auf Risse, Verschleiß oder starke Abnutzung, Drahtbürsten auf lose oder gebrochene Drähte. Wenn das Elektrowerkzeug oder das Einsatzwerkzeug herunterfällt, überprüfen Sie, ob es beschädigt ist, oder verwenden Sie ein unbeschädigtes Einsatzwerkzeug. Wenn Sie das Einsatzwerkzeug kontrolliert und eingesetzt haben, halten Sie und in der Nähe befindliche Personen sich außerhalb der Ebene des rotierenden Einsatzwerkzeugs auf und lassen Sie das Gerät eine Minute lang mit Höchstdrehzahl laufen. Beschädigte Einsatzwerkzeuge brechen meist in dieser Testzeit.
- h) Tragen Sie persönliche Schutzausrüstung. Verwenden Sie je nach Anwendung Vollgesichtsschutz, Augenschutz oder Schutzbrille. Soweit angemessen, tragen Sie Staubmaske, Gehörschutz, Schutzhandschuhe oder Spezialschürze, die kleine Schleif- und Materialpartikel von Ihnen fernhält. Die Augen sollen vor herumfliegenden Fremdkörpern geschützt werden, die bei verschiedenen Anwendungen entstehen. Staub- oder Atemschutzmaske müssen den bei der Anwendung entstehenden Staub filtern. Wenn Sie lange lautem Lärm ausgesetzt sind, können Sie einen Hörverlust erleiden.
- i) Achten Sie bei anderen Personen auf sicheren Abstand zu Ihrem Arbeitsbereich. Jeder, der den Arbeitsbereich betritt, muss persönliche Schutzausrüstung tragen. Bruchstücke des Werkstücks oder gebrochener Einsatzwerkzeuge können wegfliegen und Verletzungen auch außerhalb des direkten Arbeitsbereichs verursachen.
- j) Halten Sie das Gerät nur an den isolierten Griffflächen, wenn Sie Arbeiten ausführen, bei denen das Einsatzwerkzeug verborgene Stromleitungen oder das eigene Netzkabel treffen kann. Der Kontakt mit einer spannungsführenden Leitung kann auch metallene Geräteteile unter Spannung setzen und zu einem elektrischen Schlag führen.
- k) Halten Sie das Elektrowerkzeug beim Starten stets gut fest. Beim Hochlaufen auf die volle Drehzahl kann das Reaktionsmoment des Motors dazu führen, dass sich das Elektrowerkzeug verdreht.
- l) Wenn möglich, verwenden Sie Zwingen, um das Werkstück zu fixieren. Halten Sie niemals ein kleines Werkstück in der einen Hand und das Elektrowerkzeug in der anderen, während Sie es benutzen. Durch das Festspannen kleiner Werkstücke haben Sie beide Hände zur besseren Kontrolle des Elektrowerkzeugs frei. Beim Trennen runder Werkstücke wie Holzdübel, Stangenmaterial oder Rohre neigen diese zum Wegrollen, wodurch das Einsatzwerkzeug klemmen und auf Sie zu geschleudert werden kann.
- m) Halten Sie das Anschlusskabel von sich drehenden Einsatzwerkzeugen fern. Wenn Sie die Kontrolle über das Gerät verlieren, kann das Kabel durchtrennt oder erfasst werden und Ihre Hand oder Ihr Arm in das sich drehende Einsatzwerkzeug geraten.
- n) Legen Sie das Elektrowerkzeug niemals ab, bevor das Einsatzwerkzeug völlig zum Stillstand gekommen ist. Das sich drehende Einsatzwerkzeug kann in Kontakt mit der Ablagefläche geraten, wodurch Sie die Kontrolle über das Elektrowerkzeug verlieren können.
- o) Ziehen Sie nach dem Wechseln von Einsatzwerkzeugen oder Einstellungen am Gerät die Spannzangenmutter, das Spannfutter oder sonstige Befestigungselemente fest an. Lose Befestigungselemente können sich unerwartet verstellen und zum Verlust der Kontrolle führen;

- unbefestigte, rotierende Komponenten werden gewaltsam herausgeschleudert.
- p) **Lassen Sie das Elektrowerkzeug nicht laufen, während Sie es tragen.** Ihre Kleidung kann durch zufälligen Kontakt mit dem sich drehenden Einsatzwerkzeug erfasst werden und das Einsatzwerkzeug sich in Ihren Körper bohren.
 - q) **Reinigen Sie regelmäßig die Lüftungsschlitze Ihres Elektrowerkzeugs.** Das Motorgebläse zieht Staub in das Gehäuse, und eine starke Ansammlung von Metallstaub kann elektrische Gefahren verursachen.
 - r) **Verwenden Sie das Elektrowerkzeug nicht in der Nähe brennbarer Materialien.** Funken können diese Materialien entzünden.
 - s) **Verwenden Sie keine Einsatzwerkzeuge, die flüssige Kühlmittel erfordern.** Die Verwendung von Wasser oder anderen flüssigen Kühlmitteln kann zu einem elektrischen Schlag führen.

Weitere Sicherheitshinweise für alle Anwendungen

Rückschlag und entsprechende Sicherheitshinweise

Rückschlag ist die plötzliche Reaktion infolge eines hakenden oder blockierten drehenden Einsatzwerkzeugs, wie Schleifscheibe, Schleifband, Drahtbürste usw. Verhaken oder Blockieren führt zu einem abrupten Stopp des rotierenden Einsatzwerkzeugs. Dadurch wird ein unkontrolliertes Elektrowerkzeug gegen die Drehrichtung des Einsatzwerkzeugs beschleunigt.

Wenn z. B. eine Schleifscheibe im Werkstück hakt oder blockiert, kann sich die Kante der Schleifscheibe, die in das Werkstück eintaucht, verfangen und dadurch die Schleifscheibe ausbrechen oder einen Rückschlag verursachen. Die Schleifscheibe bewegt sich dann auf die Bedienperson zu oder von ihr weg, je nach Drehrichtung der Scheibe an der Blockierstelle. Hierbei können Schleifscheiben auch brechen.

Ein Rückschlag ist die Folge eines falschen oder fehlerhaften Gebrauchs des Elektrowerkzeugs. Er kann durch geeignete Vorsichtsmaßnahmen, wie nachfolgend beschrieben, verhindert werden.

- a) **Halten Sie das Elektrowerkzeug gut fest und bringen Sie Ihren Körper und Ihre Arme in eine Position, in der Sie die Rückschlagkräfte abfangen können.** Die Bedienperson kann durch geeignete Vorsichtsmaßnahmen die Rückschlagkräfte beherrschen.
- b) **Arbeiten Sie besonders vorsichtig im Bereich von Ecken, scharfen Kanten usw. Verhindern Sie, dass Einsatzwerkzeuge vom Werkstück zurückprallen und verklemmen.** Das rotierende Einsatzwerkzeug neigt bei Ecken, scharfen Kanten oder wenn es abprallt dazu, sich zu verklemmen. Dies verursacht einen Kontrollverlust oder Rückschlag.
- c) **Verwenden Sie kein gezähntes Sägeblatt.** Solche Einsatzwerkzeuge verursachen häufig einen Rückschlag oder den Verlust der Kontrolle über das Elektrowerkzeug.
- d) **Führen Sie das Einsatzwerkzeug stets in der gleichen Richtung in das Material, in der die Schneidkante das Material verlässt (entspricht der gleichen Richtung, in der die Späne ausgeworfen werden).** Führen des Elektrowerkzeugs in die falsche Richtung bewirkt ein Ausbrechen der Schneidkante des Einsatzwerkzeuges aus dem Werkstück, wodurch das Elektrowerkzeug in diese Vorschubrichtung gezogen wird.
- e) **Spannen Sie das Werkstück bei der Verwendung von Drehfeilen, Trennscheiben, Hochgeschwindigkeitsfräsworkzeugen oder Hartmetall-Fräsworkzeugen stets fest.** Bereits bei geringer Verkantung in der Nut verhaken diese Einsatzwerkzeuge und können einen Rückschlag verursachen. Bei Verhaken einer Trennscheibe bricht diese gewöhnlich. Bei Verhaken von Drehfeilen, Hochgeschwindigkeitsfräsworkzeugen oder Hartmetall-Fräsworkzeugen, kann der Werkzeugeinsatz aus der Nut springen und zum Verlust der Kontrolle über das Elektrowerkzeug führen.

Zusätzliche Sicherheitshinweise zum Schleifen und Trennschleifen

Besondere Sicherheitshinweise zum Schleifen und Trennschleifen:

- a) Verwenden Sie ausschließlich die für Ihr Elektrowerkzeug zugelassenen Schleifkörper und nur für die empfohlenen Einsatzmöglichkeiten. Beispiel: Schleifen Sie nie mit der Seitenfläche einer Trennscheibe. Trennscheiben sind zum Materialabtrag mit der Kante der Scheibe bestimmt. Seitliche Kräfteinwirkung auf diese Schleifkörper kann sie zerbrechen.
- b) Verwenden Sie für konische und gerade Schleifstifte mit Gewinde nur unbeschädigte Dorne der richtigen Größe und Länge, ohne Hinterschneidung an der Schulter. Geeignete Dorne verhindern die Möglichkeit eines Bruchs.
- c) Vermeiden Sie ein Blockieren der Trennscheibe oder zu hohen Anpressdruck. Führen Sie keine übermäßig tiefen Schnitte aus. Eine Überlastung der Trennscheibe erhöht deren Beanspruchung und die Anfälligkeit zum Verankern oder Blockieren und damit die Möglichkeit eines Rückschlags oder Schleifkörperbruchs.
- d) Meiden Sie mit Ihrer Hand den Bereich vor und hinter der rotierenden Trennscheibe. Wenn Sie die Trennscheibe im Werkstück von Ihrer Hand wegbewegen, kann im Falle eines Rückschlags das Elektrowerkzeug mit der sich drehenden Scheibe direkt auf Sie zugeschleudert werden.
- e) Falls die Trennscheibe verklemmt oder Sie die Arbeit unterbrechen, schalten Sie das Gerät aus und halten Sie es ruhig, bis die Scheibe zum Stillstand gekommen ist. Versuchen Sie nie, die noch laufende Trennscheibe aus dem Schnitt zu ziehen, sonst kann ein Rückschlag erfolgen. Ermitteln und beheben Sie die Ursache für das Verklemmen.
- f) Schalten Sie das Elektrowerkzeug nicht wieder ein, solange es sich im Werkstück befindet. Lassen Sie die Trennscheibe erst ihre volle Drehzahl erreichen, bevor Sie den Schnitt vorsichtig fortsetzen. Anderenfalls kann die Scheibe verhaken, aus dem Werkstück springen oder einen Rückschlag verursachen.

- g) Stützen Sie Platten oder große Werkstücke ab, um das Risiko eines Rückschlags durch eine eingeklemmte Trennscheibe zu vermeiden. Große Werkstücke können sich unter ihrem eigenen Gewicht durchbiegen. Das Werkstück muss auf beiden Seiten der Scheibe abgestützt werden, und zwar sowohl in der Nähe des Trennschnitts als auch an der Kante.
- h) Seien Sie besonders vorsichtig bei Tauchschnitten in bestehende Wände oder andere nicht einsehbare Bereiche. Die eintauchende Trennscheibe kann beim Schneiden in Gas- oder Wasserleitungen, elektrische Leitungen oder andere Objekte einen Rückschlag verursachen.

Zusätzliche Sicherheitshinweise zum Arbeiten mit Drahtbürsten

Besondere Sicherheitshinweise zum Arbeiten mit Drahtbürsten:

- a) Beachten Sie, dass die Drahtbürste auch während des üblichen Gebrauchs Drahtstücke verliert. Überlasten Sie die Drähte nicht durch zu hohen Anpressdruck. Wegfliegende Drahtstücke können sehr leicht durch dünne Kleidung und / oder die Haut dringen.
- b) Lassen Sie Bürsten vor dem Einsatz mindestens eine Minute mit Arbeitsgeschwindigkeit laufen. Achten Sie darauf, dass in dieser Zeit keine andere Person vor oder in gleicher Linie mit der Bürste steht. Während der Einlaufzeit können lose Drahtstücke wegfliegen.
- c) Richten Sie die rotierende Drahtbürste von sich weg. Beim Arbeiten mit diesen Bürsten können kleine Partikel und winzige Drahtstücke mit hoher Geschwindigkeit wegfliegen und durch die Haut dringen.

Sicherheitshinweise für Ladegeräte

- Dieses Gerät kann von Kindern ab 8 Jahren und darüber sowie von Personen mit verringerten physischen, sensorischen oder mentalen Fähigkeiten oder Mangel an Erfahrung und Wissen benutzt werden, wenn sie beaufsichtigt oder bezüglich des sicheren Gebrauchs des Gerätes unterwiesen wurden und die daraus resultierenden Gefahren verstehen. Kinder dürfen nicht mit dem Gerät spielen. Reinigung und Benutzer-Wartung dürfen nicht von Kindern ohne Beaufsichtigung durchgeführt werden.
- Wenn die Netzanschlussleitung dieses Gerätes beschädigt wird, muss sie durch den Hersteller oder seinen Kundendienst oder eine ähnlich qualifizierte Person ersetzt werden, um Gefährdungen zu vermeiden.



Das Ladegerät ist nur für den Betrieb im Innenbereich geeignet.

WARNUNG!

- Betreiben Sie das Gerät nicht mit beschädigtem Kabel, Netzkabel oder Netzstecker. Beschädigte Netzkabel bedeuten Lebensgefahr durch elektrischen Schlag.

Bedienung

- Verwenden Sie das Gerät niemals zweckentfremdet und nur mit Originalteilen / -zubehör. Der Gebrauch anderer als in der Bedienungsanleitung empfohlener Teile oder anderen Zubehörs kann eine Verletzungsgefahr für Sie bedeuten.

Akku-Pack laden

HINWEIS

- ▶ Ein neuer oder lange Zeit nicht genutzter Akku-Pack muss vor der ersten / erneuten Benutzung aufgeladen werden. Seine volle Kapazität erreicht der Akku-Pack nach ca. 3-5 Ladezyklen. Ein Ladevorgang dauert ca. 180 Minuten.

VORSICHT! VERLETZUNGSGEFAHR!

- ▶ Ziehen Sie immer den Netzstecker, bevor Sie den Akku-Pack aus dem Ladegerät nehmen bzw. einsetzen.
- ◆ Stecken Sie den Akku-Pack **4** in die Ladeschale **8**. Dieser lässt sich nur in der richtigen Polung einsetzen.
- ◆ Schließen Sie das Netzteil **9** an eine Steckdose an.
- ◆ Solange der Akku-Pack geladen wird, leuchtet die rote Ladezustandsanzeige **10**. Ist der Ladevorgang abgeschlossen, erlischt die rote Ladezustandsanzeige **10** und die grüne Ladezustandsanzeige **10a** leuchtet. Der Akku-Pack **4** ist einsatzbereit.

VORSICHT!

- ▶ Laden Sie einen Akku-Pack niemals unmittelbar nach dem Ladevorgang ein zweites Mal auf. Es besteht die Gefahr, dass der Akku-Pack überladen wird.

Akku-Pack ins Gerät einsetzen / entnehmen

Akku-Pack einsetzen:

- ◆ Stellen Sie den EIN- / AUS-Schalter **1** auf die Position „OFF“.
- ◆ Stecken Sie den Akku-Pack **4** in das Gerät, bis er einrastet.

Akku-Pack entnehmen:

- ◆ Drücken Sie gleichzeitig die seitlichen Tasten der Akku-Entriegelung **3** und entnehmen Sie den Akku-Pack **4**.

Akkuzustand ablesen

Der Zustand bzw. die Restleistung wird bei eingeschaltetem Gerät in der Akku-LED 2 wie folgt angezeigt:

ROT / ORANGE / GRÜN = maximale Ladung

ROT / ORANGE = mittlere Ladung

ROT = schwache Ladung – Akku aufladen

Werkzeug / Spannzange einsetzen / wechseln

- ◆ Betätigen Sie die Spindelarrretierung **7** und halten Sie diese gedrückt.
- ◆ Drehen Sie die Spannmutter **5** bis die Arrretierung einrastet.
- ◆ Lösen Sie die Spannmutter **5** mit dem Kombischlüssel **22** vom Gewinde.
- ◆ Entnehmen Sie ggf. ein eingesetztes Werkzeug.
- ◆ Schieben Sie zuerst das vorgesehene Werkzeug durch die Spannmutter **5** bevor Sie es in die zum Werkzeugschaft passende Spannzange **17** stecken.
- ◆ Betätigen Sie die Spindelarrretierung **7** und halten Sie diese gedrückt.
- ◆ Stecken Sie die Spannzange **17** in den Gewindeeinsatz und schrauben Sie dann die Spannmutter **5** mit dem Kombischlüssel **22** am Gewinde fest.

HINWEIS

- ▶ Verwenden Sie die Schraubendreherseite des Kombischlüssels **22** zum Lösen und Festziehen der Schraube der Spanndornen **12**.

Ein- und ausschalten / Drehzahlbereich einstellen

Einschalten / Drehzahlbereich einstellen:

- ◆ Stellen Sie den Ein- / Aus-Schalter mit Drehzahlregulierung **1** auf eine Position zwischen „1“ und „MAX“.

Ausschalten:

- ◆ Stellen Sie den Ein- / Aus-Schalter mit Drehzahlregulierung **1** auf die Position „OFF“.

Hinweise zu Materialbearbeitung / Werkzeug / Drehzahlbereich

- Verwenden Sie die Fräsbits **19** zur Bearbeitung von Stahl und Eisen unter Höchstdrehzahl.
- Ermitteln Sie den Drehzahlbereich zur Bearbeitung von Zink, Zinklegierungen, Aluminium, Kupfer und Blei durch Versuche an Probestücken.
- Bearbeiten Sie Kunststoffe und Materialien mit niedrigem Schmelzpunkt im niedrigen Drehzahlbereich.
- Bearbeiten Sie Holz mit hohen Drehzahlen.
- Führen Sie Reinigungs-, Polier- und Schwabbelarbeiten im mittleren Drehzahlbereich durch.

Die nachfolgenden Angaben sind unverbindliche Empfehlungen. Testen Sie beim praktischen Arbeiten auch selbst, welches Werkzeug und welche Einstellung für das zu bearbeitende Material optimal geeignet sind.

Geeignete Drehzahl einstellen:

Ziffer an der Drehzahlregulierung ①	zu bearbeitendes Material		
1-3	Kunststoff und Werkstoffe mit niedrigem Schmelzpunkt	6	Hartholz
4-5	Gestein, Keramik	Max	Stahl
5	Weichholz, Metall		

Anwendungsbeispiele / geeignetes Werkzeug auswählen:

Funktion	Zubehör	Verwendung	Überstand (min-max) mm
Bohren	HSS-Bohrer ⑪	Holz bearbeiten	18-25 beim kleinsten Bohrer ist der Überstand 10 mm
Fräsen	Fräsbits ⑲	Vielseitige Arbeiten; z.B. Ausbuchten, Aushöhlen, Formen, Nuten oder Schlitzte erstellen	18-25
Gravieren	Gravierbits ⑳	Kennzeichnung anfertigen, Bastelarbeiten	18-25
Polieren, Entrosten VORSICHT! Üben Sie nur leichten Druck mit dem Werkzeug auf das Werkstück aus.	Metallbürste ⑮	Entrosten	9-15
	Polierscheiben ⑬	Verschiedene Metalle und Kunststoffe, insbesondere Edelmetalle wie Gold oder Silber bearbeiten	12-18
Säubern	Kunststoffbürsten ⑱	z.B. schlecht zugängliche Kunststoffgehäuse säubern oder den Umgebungsbereich eines Türschlosses säubern	9-15
Schleifen	Schleifscheiben ⑭	Schleifarbeiten an Gestein, Holz, feine Arbeiten an harten Materialien, wie Keramik oder legiertem Stahl	12-18
	Schleifbits ㉑		10
Trennen	Trennscheiben ⑯	Metall, Kunststoff und Holz bearbeiten	12-18

- Der maximale Durchmesser von zusammengesetzten Schleifkörpern, Schleifkonen und Schleifstiften mit Gewindeeinsatz 55 mm darf nicht überschritten werden.
Der maximale Durchmesser für Sandpapier-Schleifzubehör 80 mm darf ebendfalls nicht überschritten werden.

HINWEIS

- ▶ Die max. zulässige Länge eines Spanndorns beträgt 33 mm.
- Zubehör in der Original-Box lagern oder die Zubehörteile anderweitig gegen Beschädigung schützen.
- Das Zubehör trocken und nicht im Bereich aggressiver Medien lagern.

Tipps und Tricks

- Wenn Sie zu hohem Druck ausüben, kann das eingespannte Werkzeug zerbrechen und /oder das Werkstück beschädigt werden. Sie können optimale Arbeitsergebnisse erzielen, indem Sie das Werkzeug mit gleich bleibendem Drehzahlbereich und geringem Druck an das Werkstück führen.
- Halten Sie das Gerät beim Trennen mit beiden Händen fest.
- Beachten Sie die Daten und Informationen in der Tabelle, um zu verhindern, dass das Spindelende den Lochboden des Schleifwerkzeugs berührt.

Wartung und Reinigung

Das Gerät ist wartungsfrei.

- Entfernen Sie Verschmutzungen vom Gerät. Verwenden Sie dazu ein trockenes Tuch.
- Führen Sie jeweils zu Beginn und am Ende eines längeren Nichtgebrauches einen kompletten Aufladevorgang des Akku-Packs ④ durch.
- Soll ein Lithium-Ionen-Akku längere Zeit gelagert werden, muss regelmäßig der Ladezustand kontrolliert werden. Der optimale Ladezustand liegt zwischen 50 % und 80 %. Das optimale Lagerungsklima ist kühl und trocken.

⚠ WARNUNG!

- Lassen Sie Ihre Geräte von der Servicestelle oder einer Elektrofachkraft und nur mit Original-Ersatzteilen reparieren. Damit wird sichergestellt, dass die Sicherheit des Gerätes erhalten bleibt.

⚠ WARNUNG!

- Lassen Sie den Austausch des Steckers oder der Netzleitung immer vom Hersteller des Gerätes oder seinem Kundendienst ausführen. Damit wird sichergestellt, dass die Sicherheit des Gerätes erhalten bleibt.

HINWEIS

- ▶ Nicht aufgeführte Ersatzteile (wie z.B. Akku, Ladegerät) können Sie über unsere Callcenter bestellen.

Entsorgung



Die Verpackung besteht aus umweltfreundlichen Materialien, die Sie über die örtlichen Recyclingstellen entsorgen können.



Werfen Sie Elektrowerkzeuge nicht in den Hausmüll!

Gemäß Europäischer Richtlinie 2012/19/EU müssen verbrauchte Elektrowerkzeuge getrennt gesammelt und einer umweltgerechten Wiederverwertung zugeführt werden.



Werfen Sie Akkus nicht in den Hausmüll!

⚠️ WARNUNG!

- Entfernen Sie den Akku vor der Entsorgung!

Defekte oder verbrauchte Akkus müssen gemäß Richtlinie 2006/66/EC recycelt werden. Geben Sie Akku-Pack und/oder das Gerät über die angebotenen Sammeleinrichtungen zurück.

Über Entsorgungsmöglichkeiten für ausgediente Elektrowerkzeuge / Akku-Pack informieren Sie sich bitte bei Ihrer Gemeinde- oder Stadtverwaltung.

Garantie der Kompersnaß Handels GmbH

Sehr geehrte Kundin, sehr geehrter Kunde,

Sie erhalten auf dieses Gerät 3 Jahre Garantie ab Kaufdatum. Im Falle von Mängeln dieses Produkts stehen Ihnen gegen den Verkäufer des Produkts gesetzliche Rechte zu. Diese gesetzlichen Rechte werden durch unsere im Folgenden dargestellte Garantie nicht eingeschränkt.

Garantiebedingungen

Die Garantiefrist beginnt mit dem Kaufdatum. Bitte bewahren Sie den Original Kassenbon gut auf. Diese Unterlage wird als Nachweis für den Kauf benötigt.

Tritt innerhalb von drei Jahren ab dem Kaufdatum dieses Produkts ein Material- oder Fabrikationsfehler auf, wird das Produkt von uns – nach unserer Wahl – für Sie kostenlos repariert oder ersetzt. Diese Garantieleistung setzt voraus, dass innerhalb der Drei-Jahres-Frist das defekte Gerät und der Kaufbeleg (Kassenbon) vorgelegt und schriftlich kurz beschrieben wird, worin der Mangel besteht und wann er aufgetreten ist.

Wenn der Defekt von unserer Garantie gedeckt ist, erhalten Sie das reparierte oder ein neues Produkt zurück. Mit Reparatur oder Austausch des Produkts beginnt kein neuer Garantiezeitraum.

Garantiezeit und gesetzliche Mängelansprüche

Die Garantiezeit wird durch die Gewährleistung nicht verlängert. Dies gilt auch für ersetzte und reparierte Teile. Eventuell schon beim Kauf vorhandene Schäden und Mängel müssen sofort nach dem Auspacken gemeldet werden. Nach Ablauf der Garantiezeit anfallende Reparaturen sind kostenpflichtig.

Garantieumfang

Das Gerät wurde nach strengen Qualitätsrichtlinien sorgfältig produziert und vor Auslieferung gewissenhaft geprüft.

Die Garantieleistung gilt für Material- oder Fabrikationsfehler. Diese Garantie erstreckt sich nicht auf

Produkteile, die normaler Abnutzung ausgesetzt sind und daher als Verschleißteile angesehen werden können oder für Beschädigungen an zerbrechlichen Teilen, z. B. Schalter, Akkus, Backformen oder Teile die aus Glas gefertigt sind.

Diese Garantie verfällt, wenn das Produkt beschädigt, nicht sachgemäß benutzt oder gewartet wurde. Für eine sachgemäße Benutzung des Produkts sind alle in der Bedienungsanleitung aufgeführten Anweisungen genau einzuhalten. Verwendungszwecke und Handlungen, von denen in der Bedienungsanleitung abgeraten oder vor denen gewarnt wird, sind unbedingt zu vermeiden.

Das Produkt ist nur für den privaten und nicht für den gewerblichen Gebrauch bestimmt. Bei missbräuchlicher und unsachgemäßer Behandlung, Gewaltanwendung und bei Eingriffen, die nicht von unserer autorisierten Service-Niederlassung vorgenommen wurden, erlischt die Garantie.

Abwicklung im Garantiefall

Um eine schnelle Bearbeitung ihres Anliegens zu gewährleisten, folgen Sie bitte den folgenden Hinweisen:

- Bitte halten Sie für alle Anfragen den Kassenschein und die Artikelnummer (z. B. IAN 12345) als Nachweis für den Kauf bereit.
- Die Artikelnummer entnehmen Sie bitte dem Typenschild, einer Gravur, auf dem Titelblatt ihrer Anleitung (unten links) oder als Aufkleber auf der Rück- oder Unterseite.
- Sollten Funktionsfehler oder sonstige Mängel auftreten kontaktieren Sie zunächst die nachfolgend benannte Serviceabteilung **telefonisch** oder per **E-Mail**.
- Ein als defekt erfasstes Produkt können Sie dann unter Beifügung des Kaufbelegs (Kassenschein) und der Angabe, worin der Mangel besteht und wann er aufgetreten ist, für Sie portofrei an die Ihnen mitgeteilte Service Anschrift übersenden.



Auf www.lidl-service.com können Sie diese und viele weitere Handbücher, Produktvideos und Software herunterladen.

Service

DE Service Deutschland

Tel.: 0800 5435 111 (Kostenfrei aus dem dt. Festnetz/Mobilfunknetz)

E-Mail: kompennass@lidl.de

AT Service Österreich

Tel.: 0820 201 222 (0,15 EUR/Min.)

E-Mail: kompennass@lidl.at

CH Service Schweiz

Tel.: 0842 665566 (0,08 CHF/Min., Mobilfunk max. 0,40 CHF/Min.)

E-Mail: kompennass@lidl.ch

IAN 279872

Importeur

Bitte beachten Sie, dass die folgende Anschrift keine Serviceanschrift ist. Kontaktieren Sie zunächst die benannte Servicestelle.

KOMPENASS HANDELS GMBH

BURGSTRASSE 21

44867 BOCHUM

GERMANY

www.kompennass.com

Original- Konformitätserklärung

Wir, KOMPERNASS HANDELS GMBH, Dokumentenverantwortlicher: Herr Semi Uguzlu, BURGSTR. 21, 44867 BOCHUM, Deutschland, erklären hiermit, dass dieses Produkt mit den folgenden Normen, normativen Dokumenten und EG-Richtlinien übereinstimmt:

**Maschinenrichtlinie
(2006 / 42 / EC)**

**EG-Niederspannungsrichtlinie
(2014 / 35 / EU)**

**Elektromagnetische Verträglichkeit
(2014 / 30 / EU)**

**RoHS Richtlinie
(2011 / 65 / EU)**

Angewandte harmonisierte Normen:

EN 60745-1:2009/A11:2010

EN 60745-2-23:2013

EN 55014-1:2006/A2:2011

EN 55014-2:2015

EN 60335-1:2012/A11:2014

EN 60335-2-29:2004/A2:2010

EN 61000-3-2:2014

EN 61000-3-3:2013

EN 62233:2008

Typbezeichnung der Maschine:

Akku-Feinbohrschleifer PFBS 12 A1

Herstellungsjahr: 07-2016

Seriennummer: IAN 279872

Bochum, 08.06.2016



Semi Uguzlu

- Qualitätsmanager -

Technische Änderungen im Sinne der Weiterentwicklung sind vorbehalten.

KOMPERNASS HANDELS GMBH

BURGSTRASSE 21

44867 BOCHUM

DEUTSCHLAND / GERMANY

www.kompennass.com

Last Information Update · Έκδοση των πληροφοριών

Stand der Informationen: 06/2016

Ident.-No.: PFBS12A1-062016-1

IAN 279872